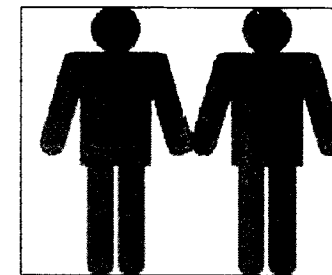
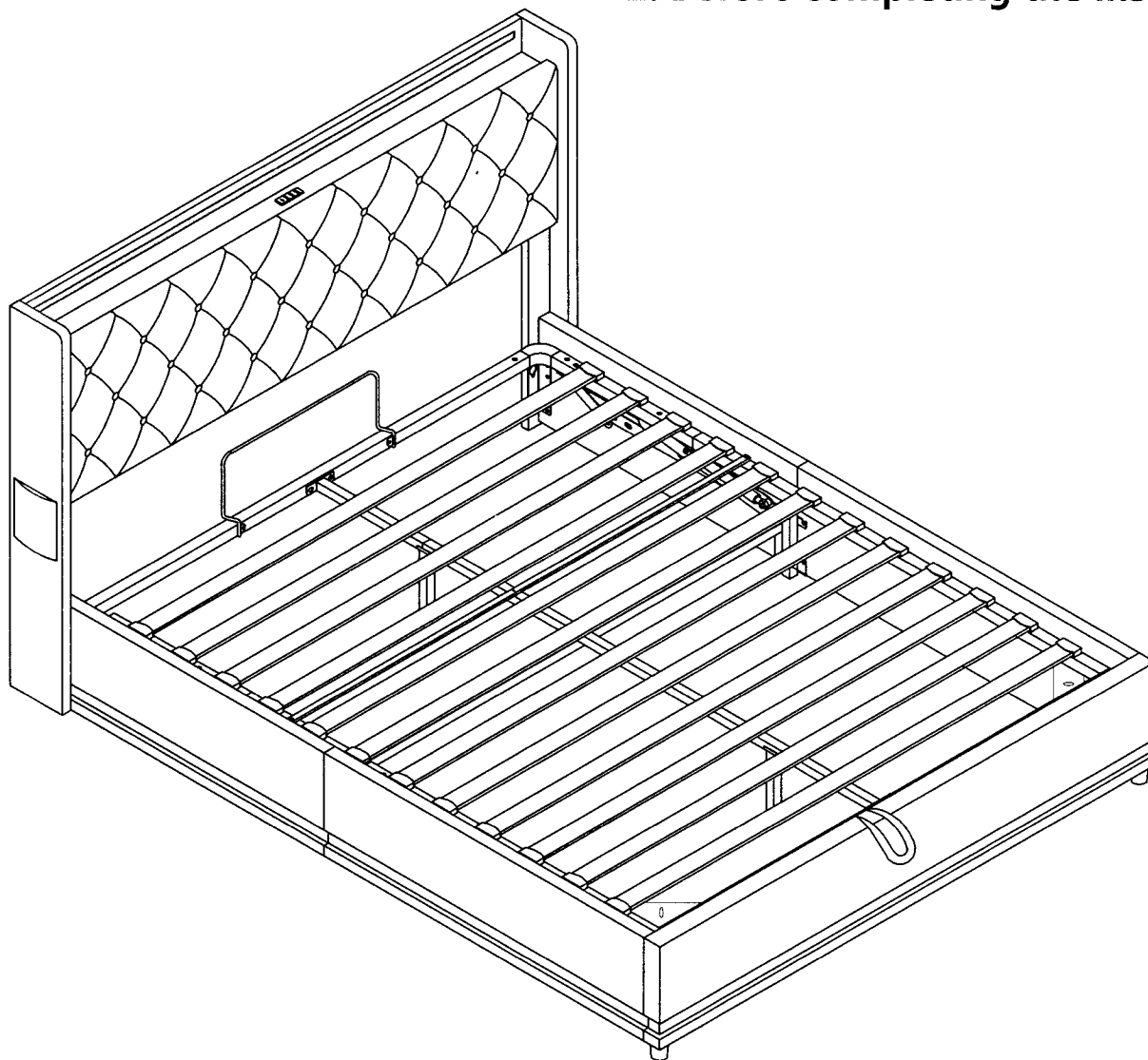


# Assembly Instruction

**Note:**

- 1. Should be assembled on flat ground to keep balance.**
- 2. Before completing the installation, do not tighten the screws.**



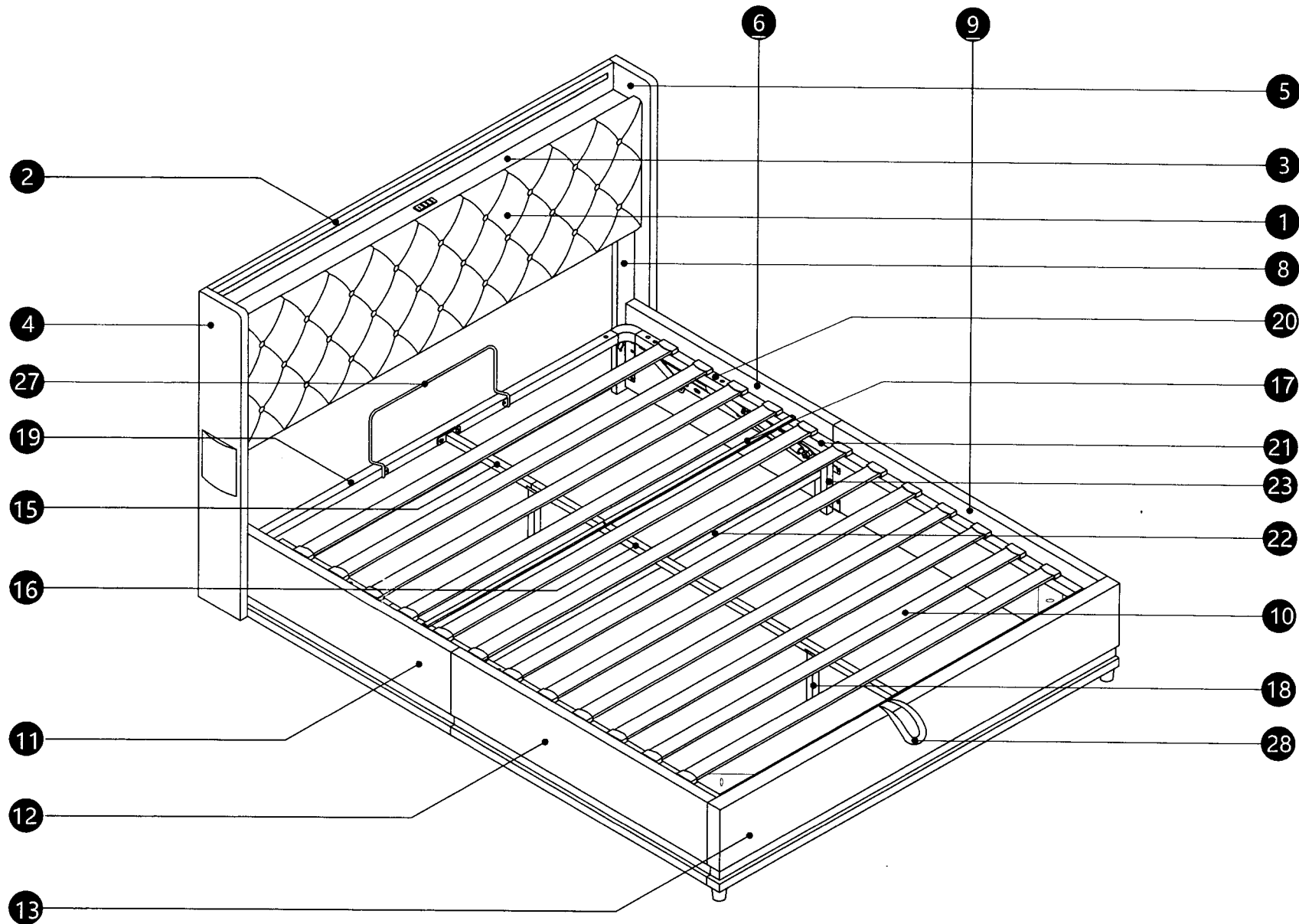
**It needs at least two people to install.**



**Before starting the assembly, you must read the whole manual and follow the instructions .**

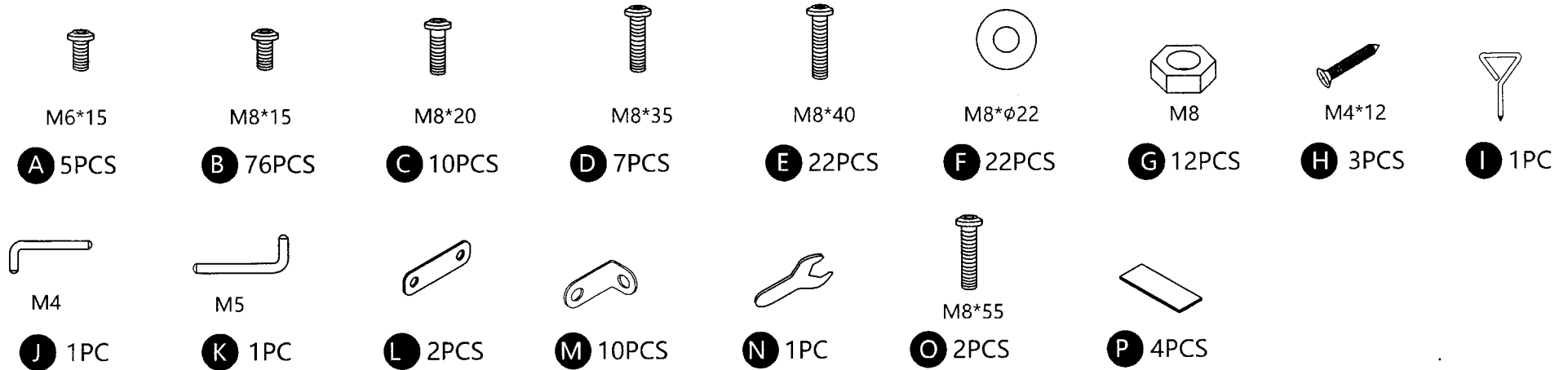
# Assembly Instruction of bed

Drawer not included

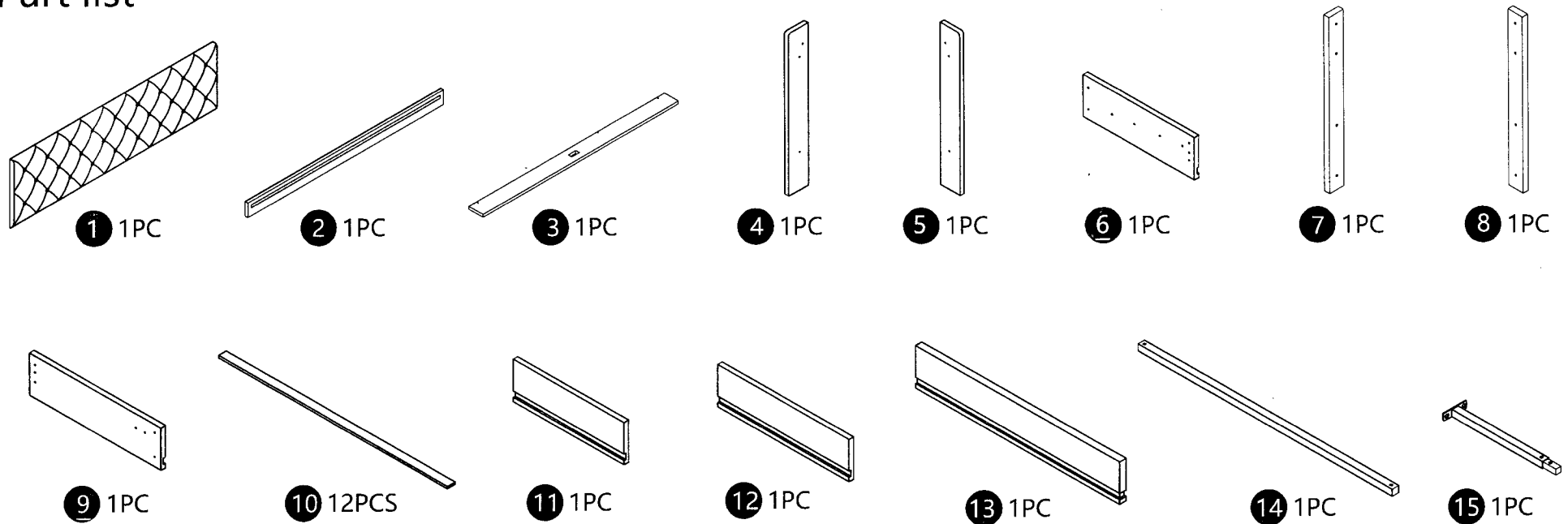


# Assembly Instruction of bed

## Hardware parts

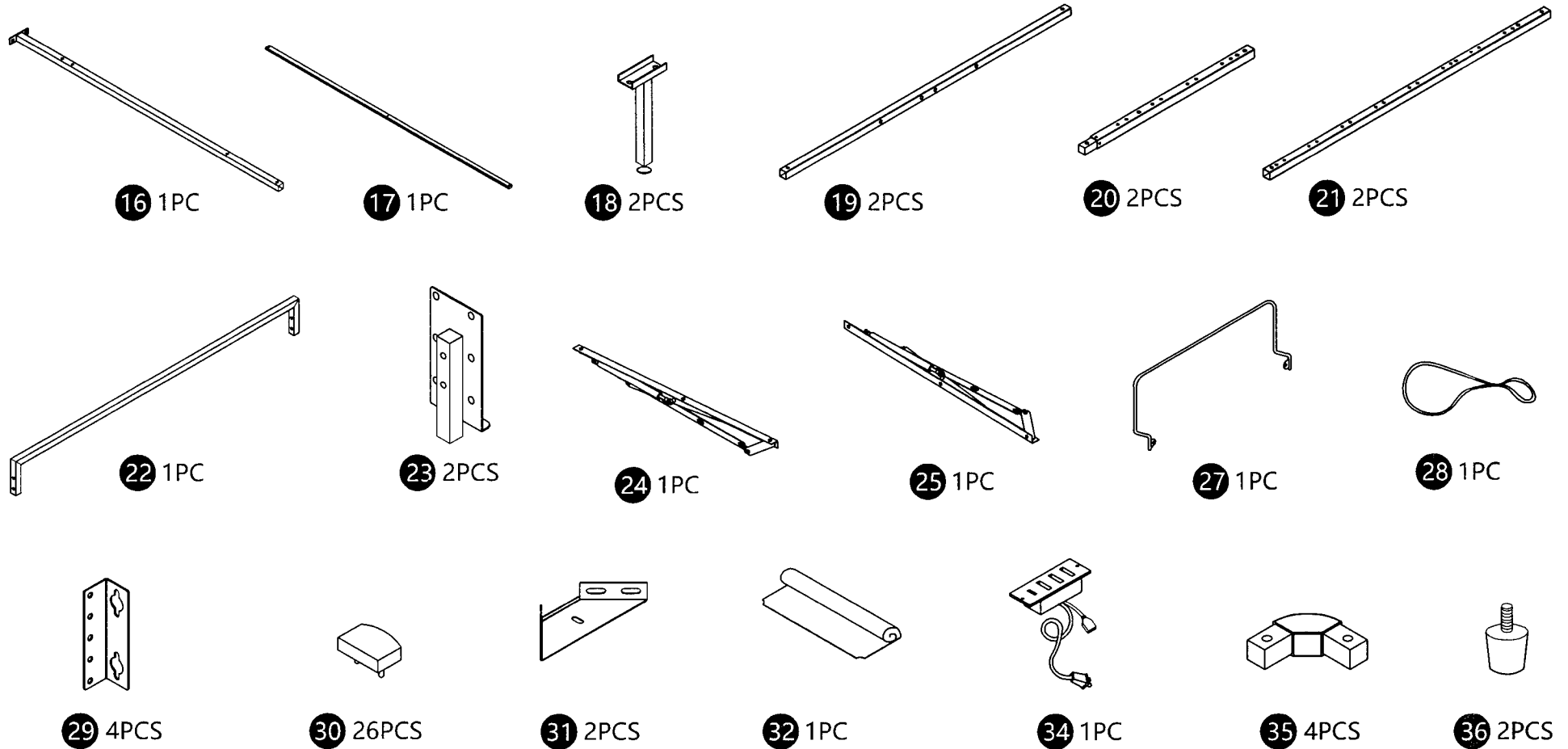


## Part list



# Assembly Instruction of bed


## Part list

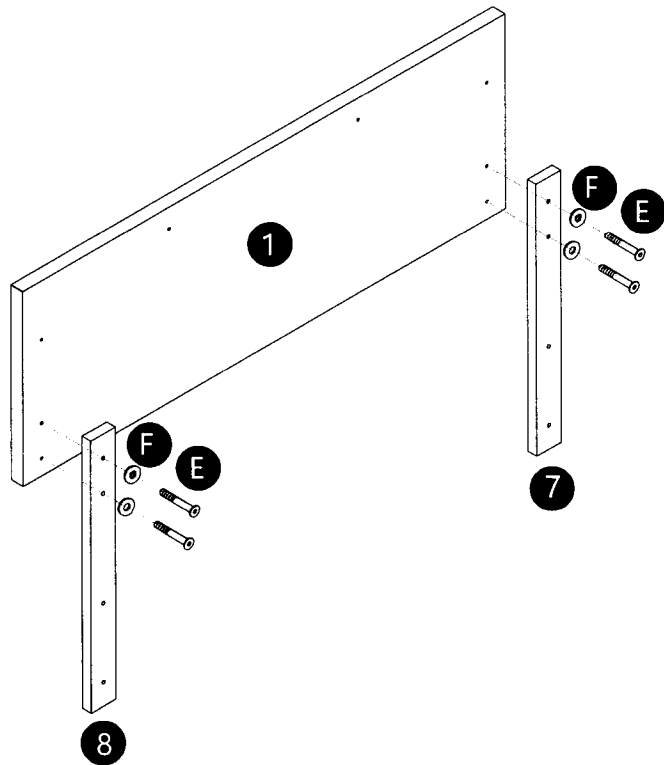


# Assembly Instruction of bed

Step:1

 **E** X 4PCS  
M8\*40

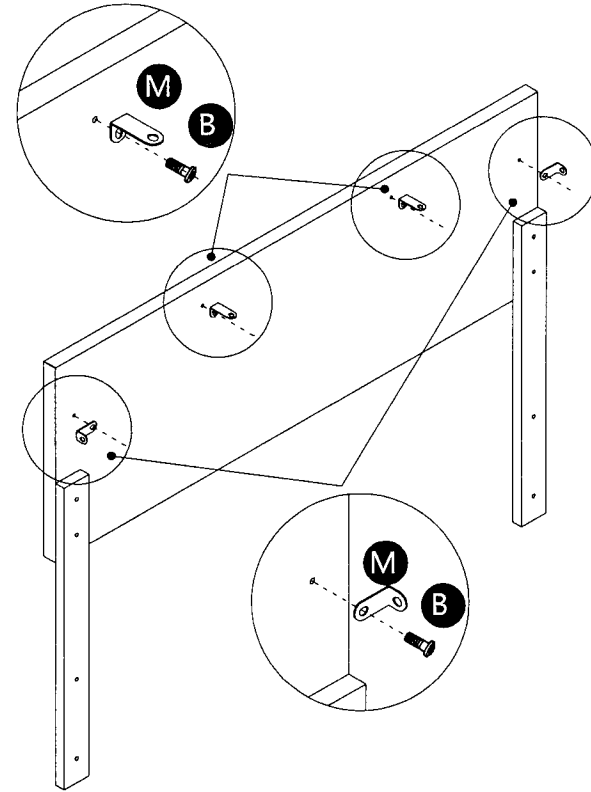
 **F** X 4PCS  
M8\*Ø22



Step:2

 **B** X 4PCS  
M8\*15

 **M** X 4PCS

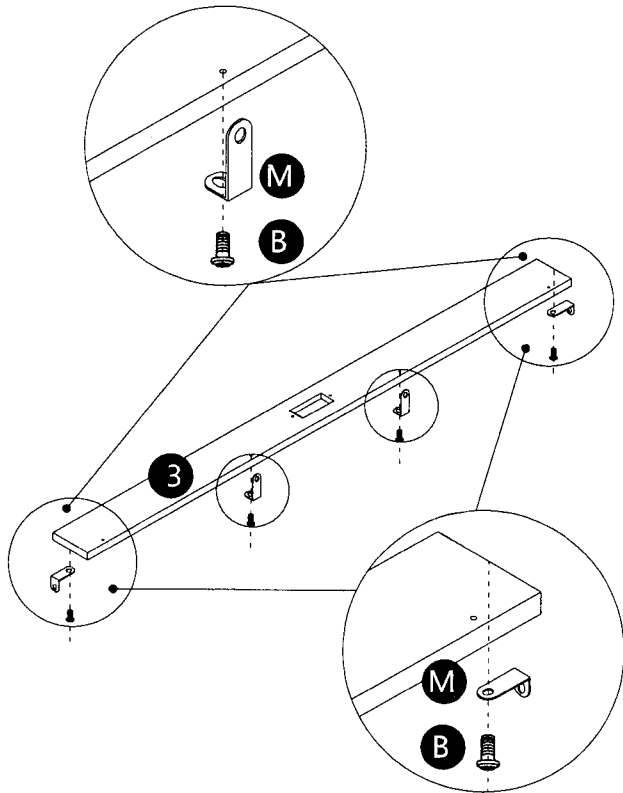


# Assembly Instruction of bed

Step:3

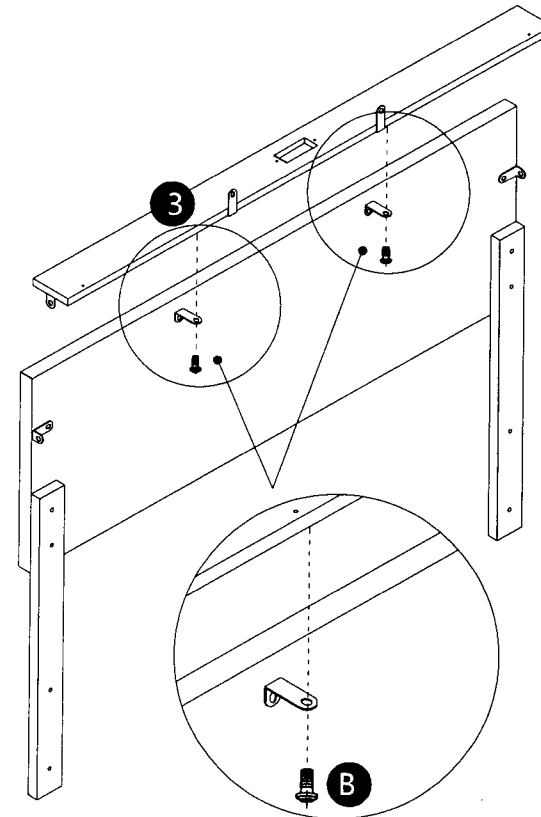
 M8\*15 **B** X 4PCS

 **M** X 4PCS



Step:4

 M8\*15 **B** X 2PCS

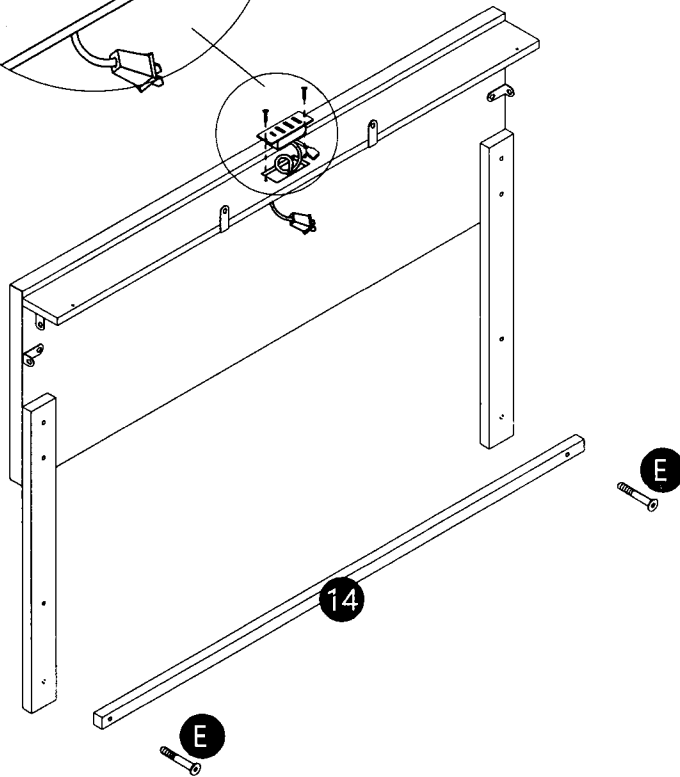
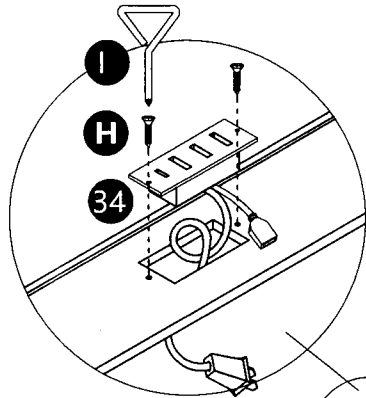


# Assembly Instruction of bed

Step:5

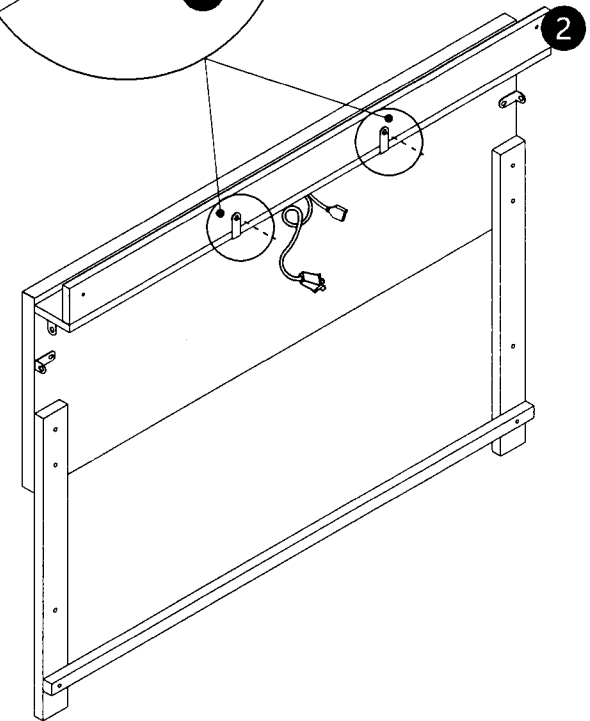
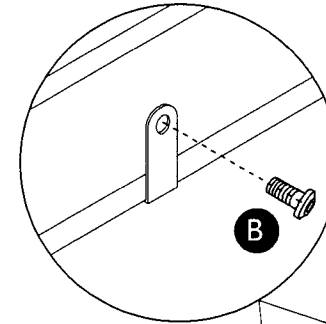
 **E** X 2PCS  
M8\*40

 **H** X 2PCS  
M4\*12



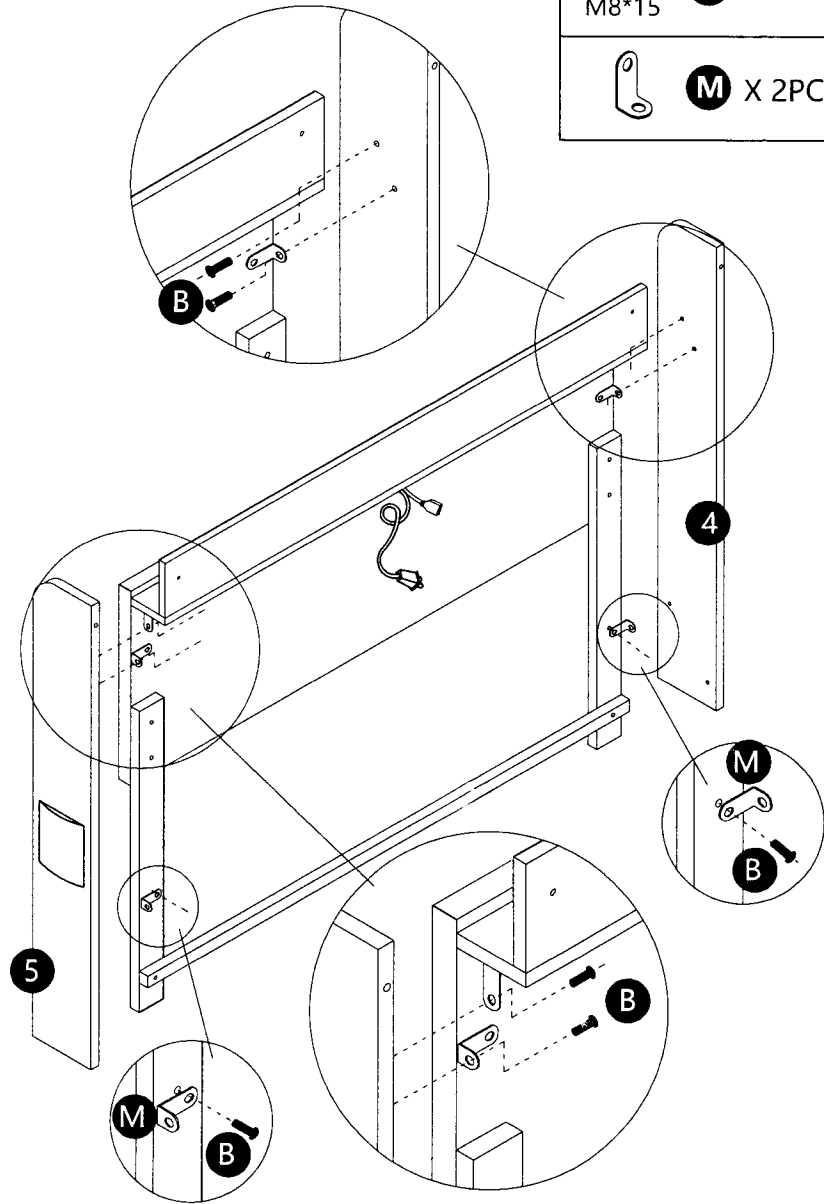
Step:6

 **B** X 2PCS  
M8\*15

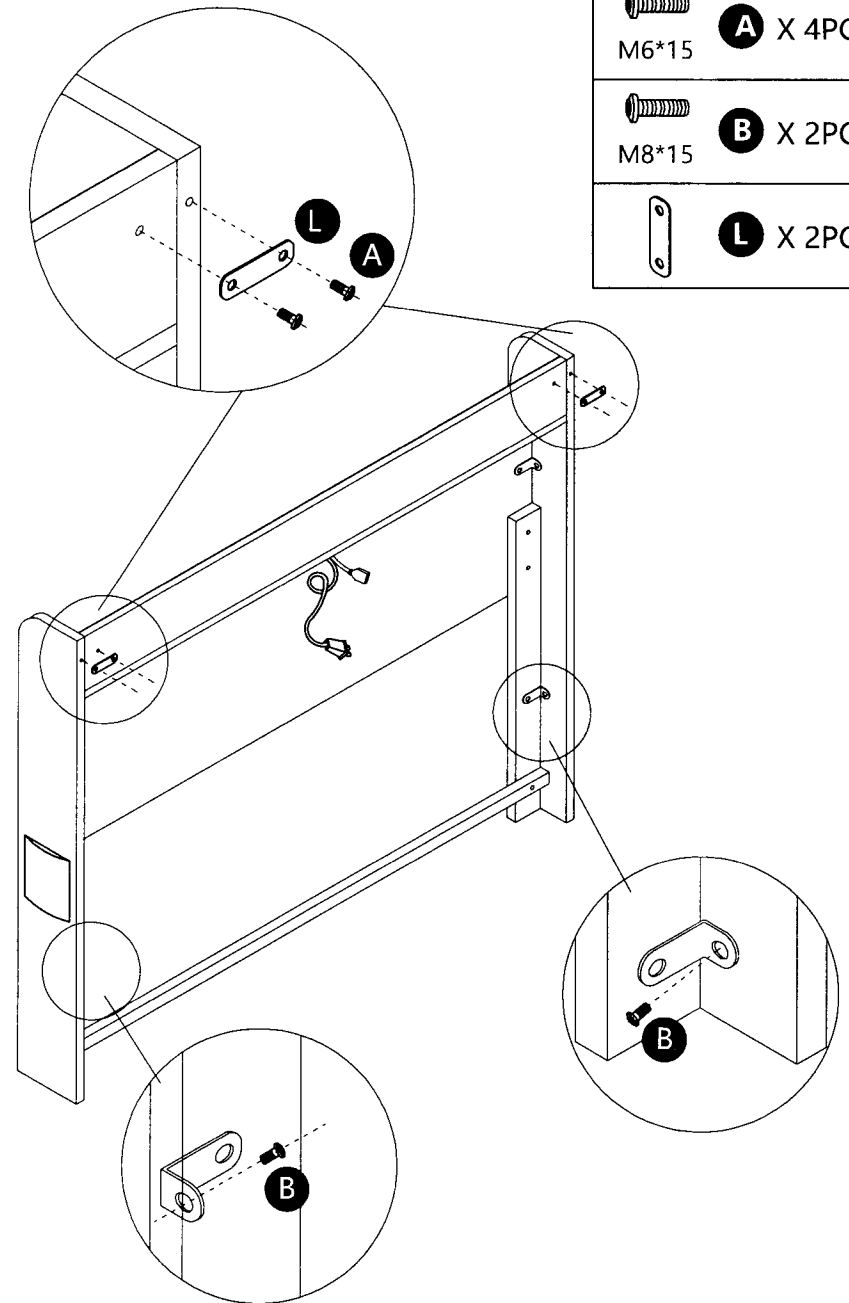


# Assembly Instruction of bed

Step:7

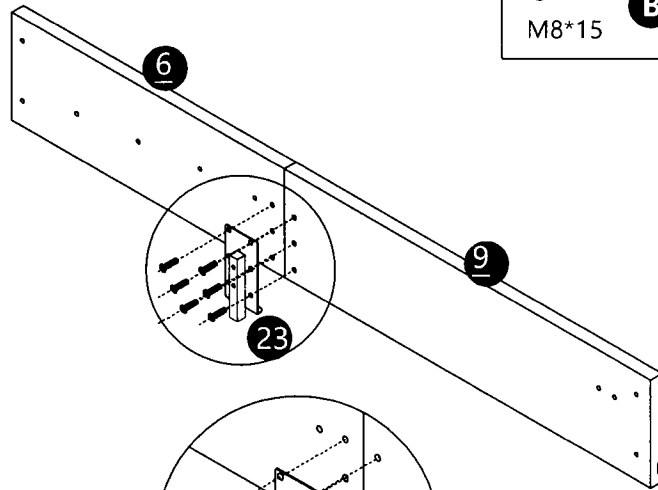


Step:8

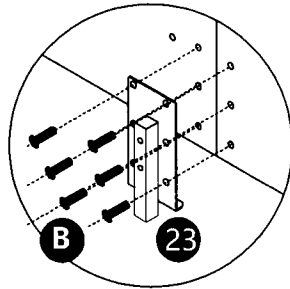


# Assembly Instruction of bed

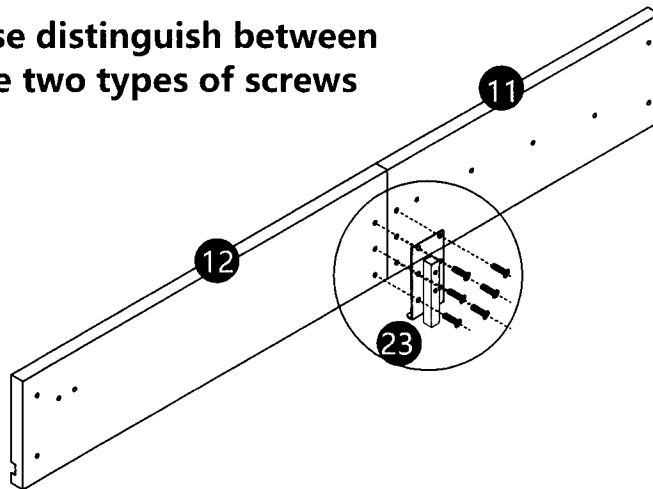
Step:9



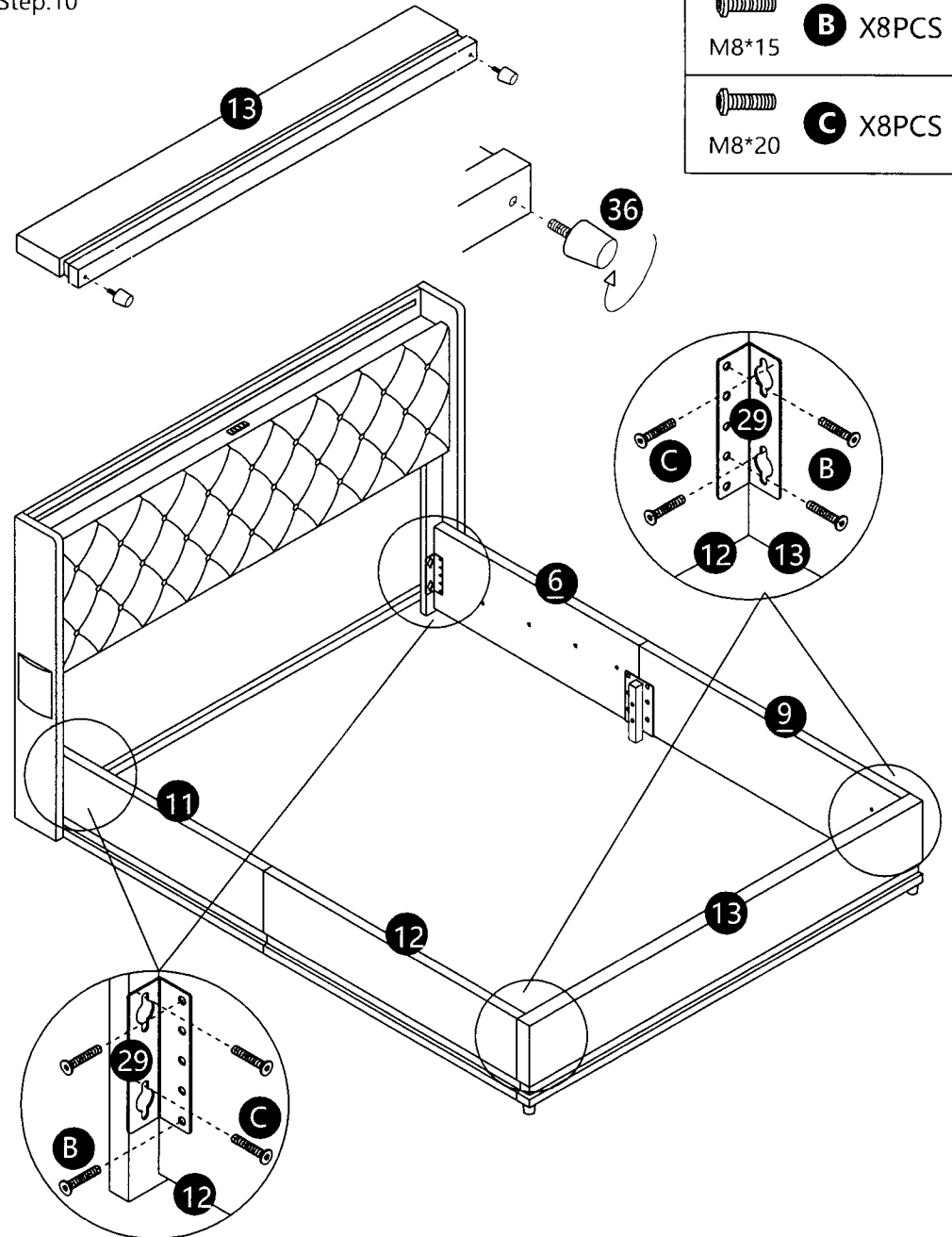
M8\*15 **B** X 12PCS



Please distinguish between these two types of screws

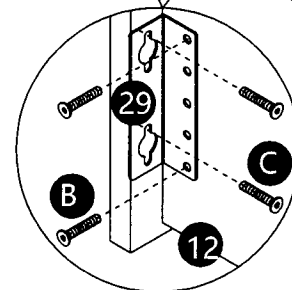
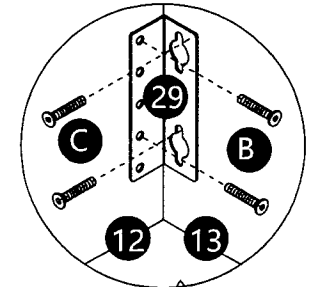


Step:10



M8\*15 **B** X 8PCS

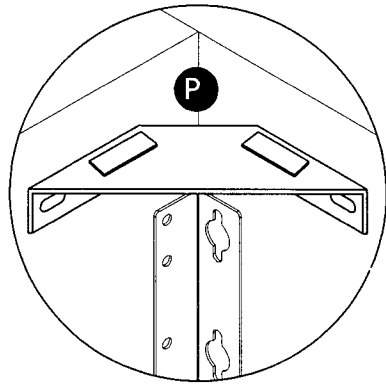
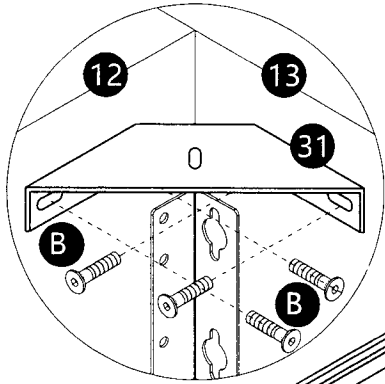
M8\*20 **C** X 8PCS



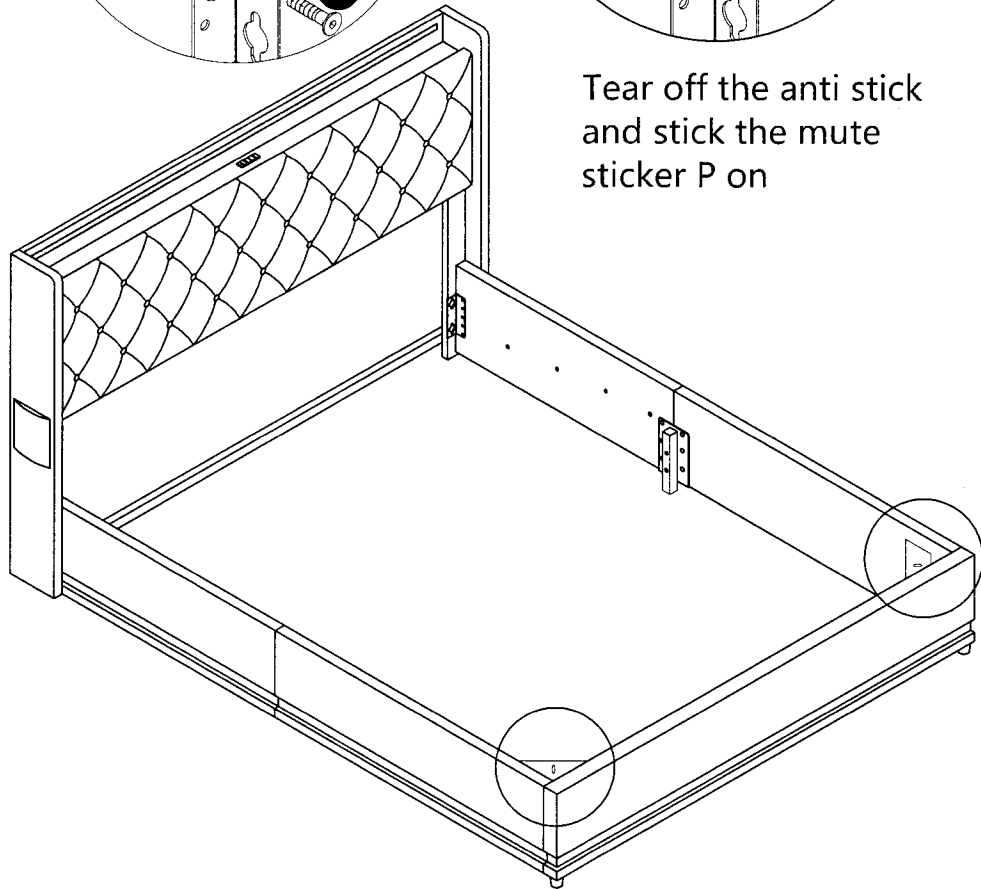
# Assembly Instruction of bed

Step:11

 **B** X8PCS  
M8\*15

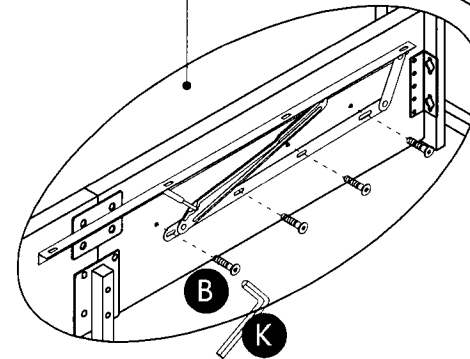
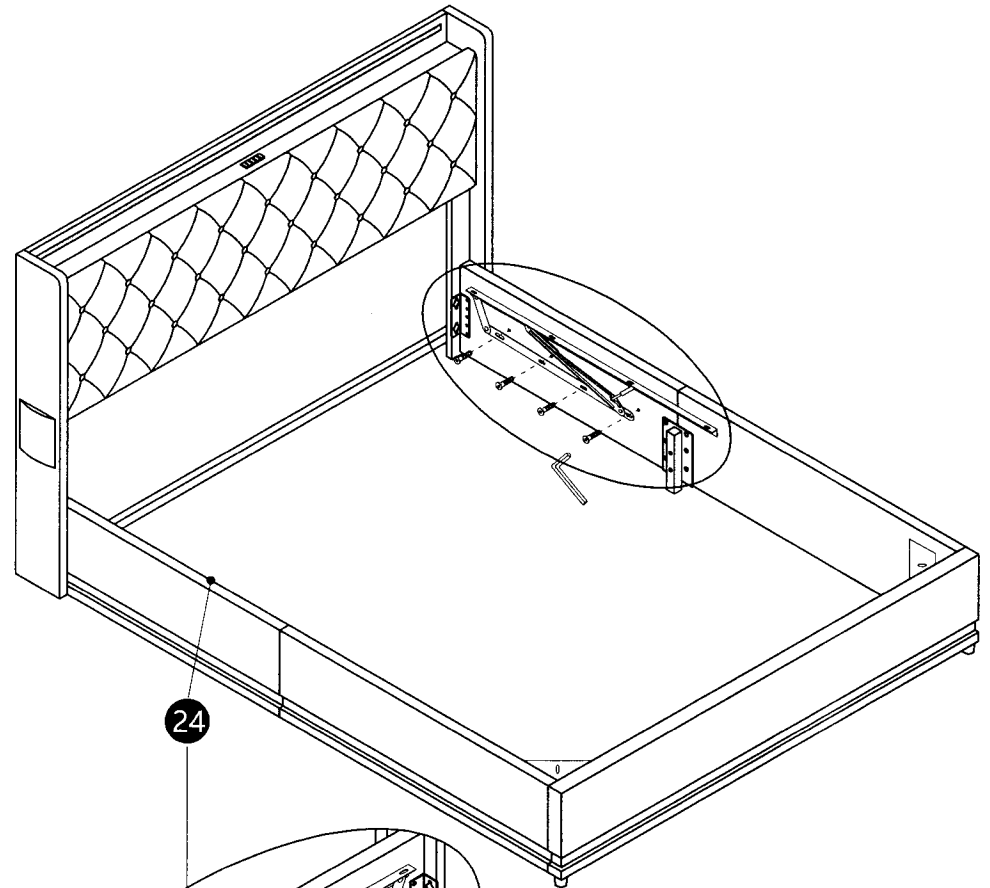


Tear off the anti stick  
and stick the mute  
sticker P on



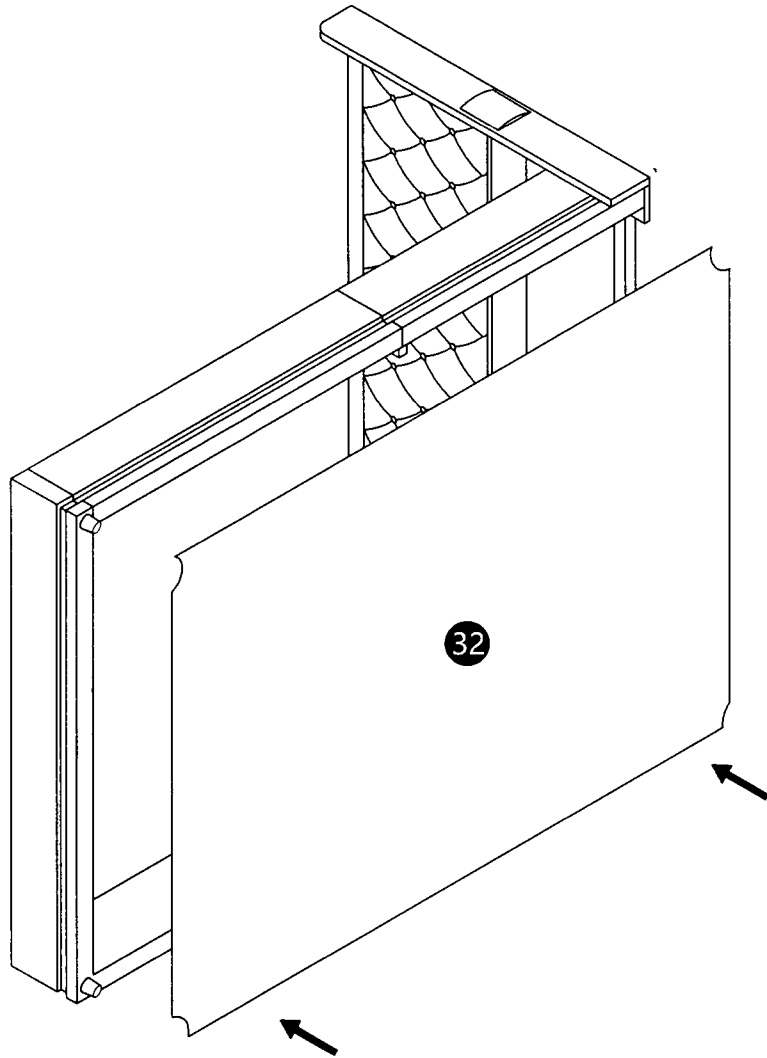
Step:12

 **B** X8PCS  
M8\*15



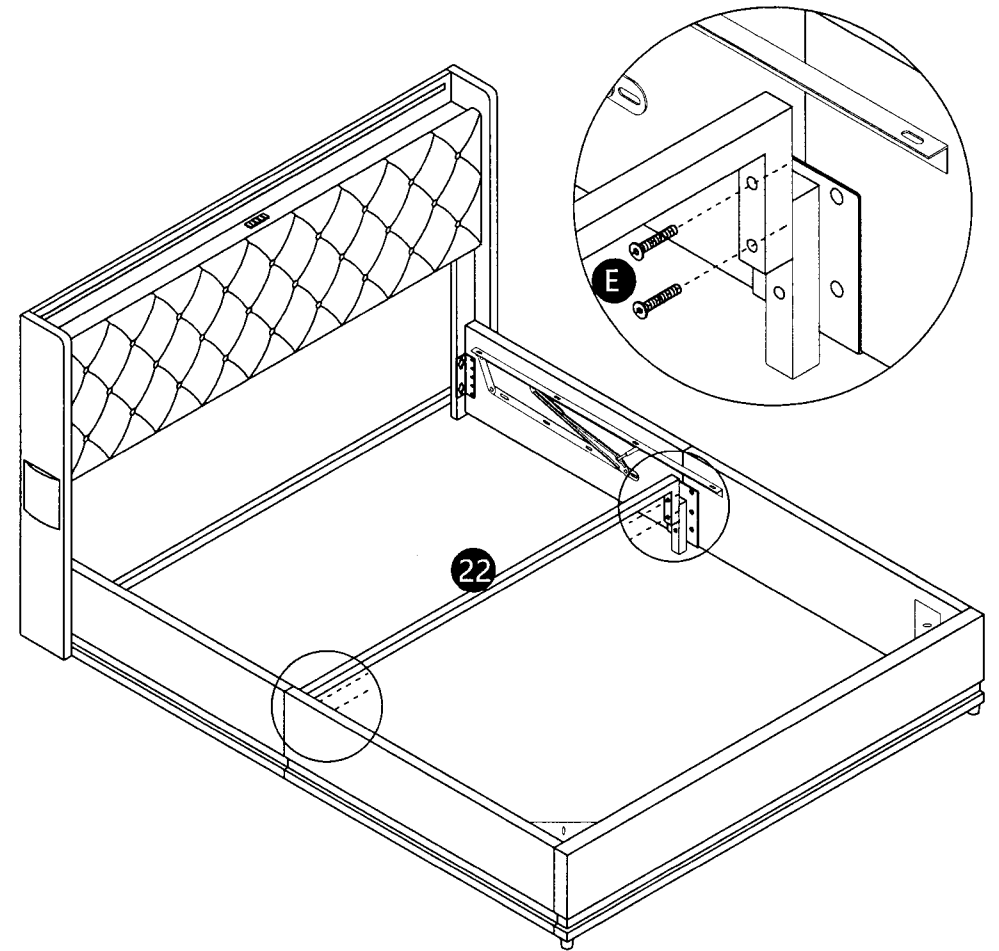
# Assembly Instruction of bed

Step:13



Step:14

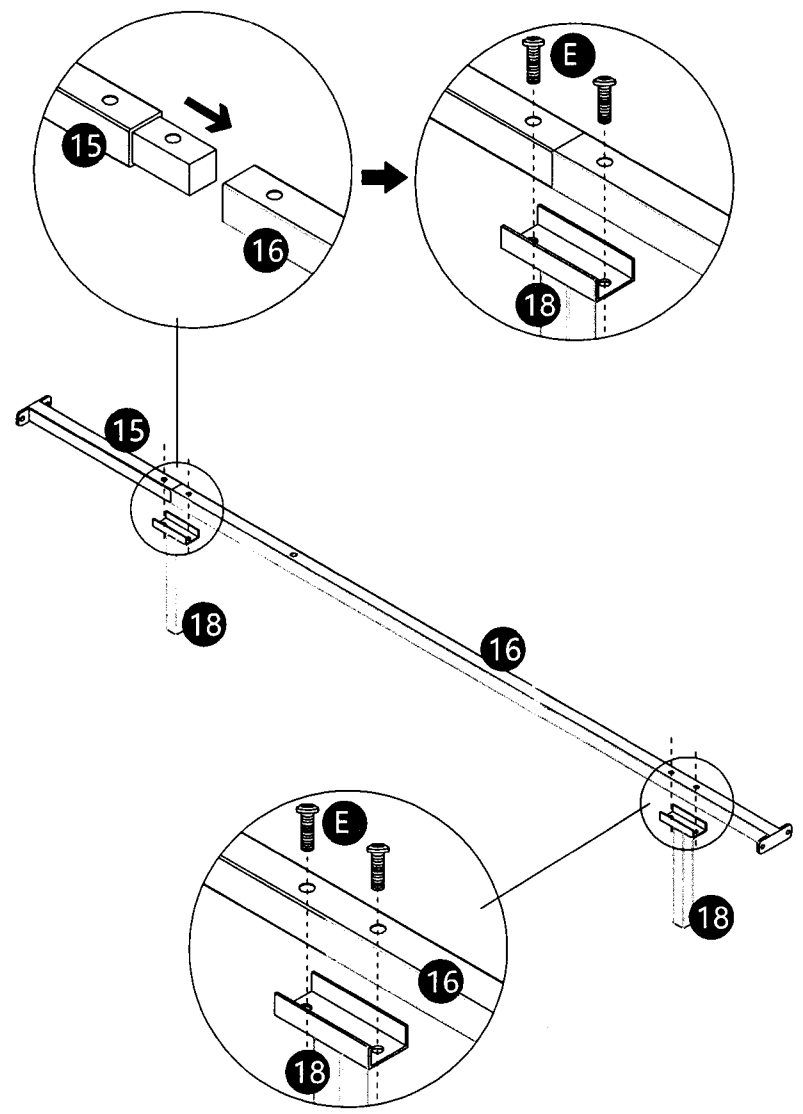
 M8\*40 **E** X4PCS



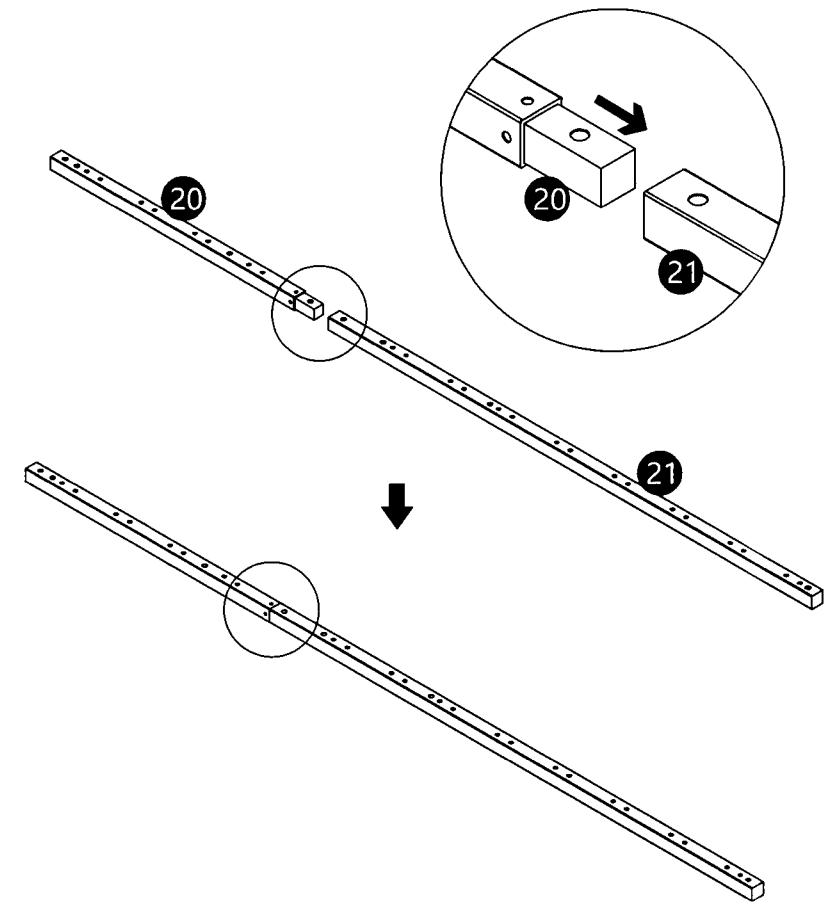
# Assembly Instruction of bed

Step:15

 M8\*40 **E** X4PCS




Step:16

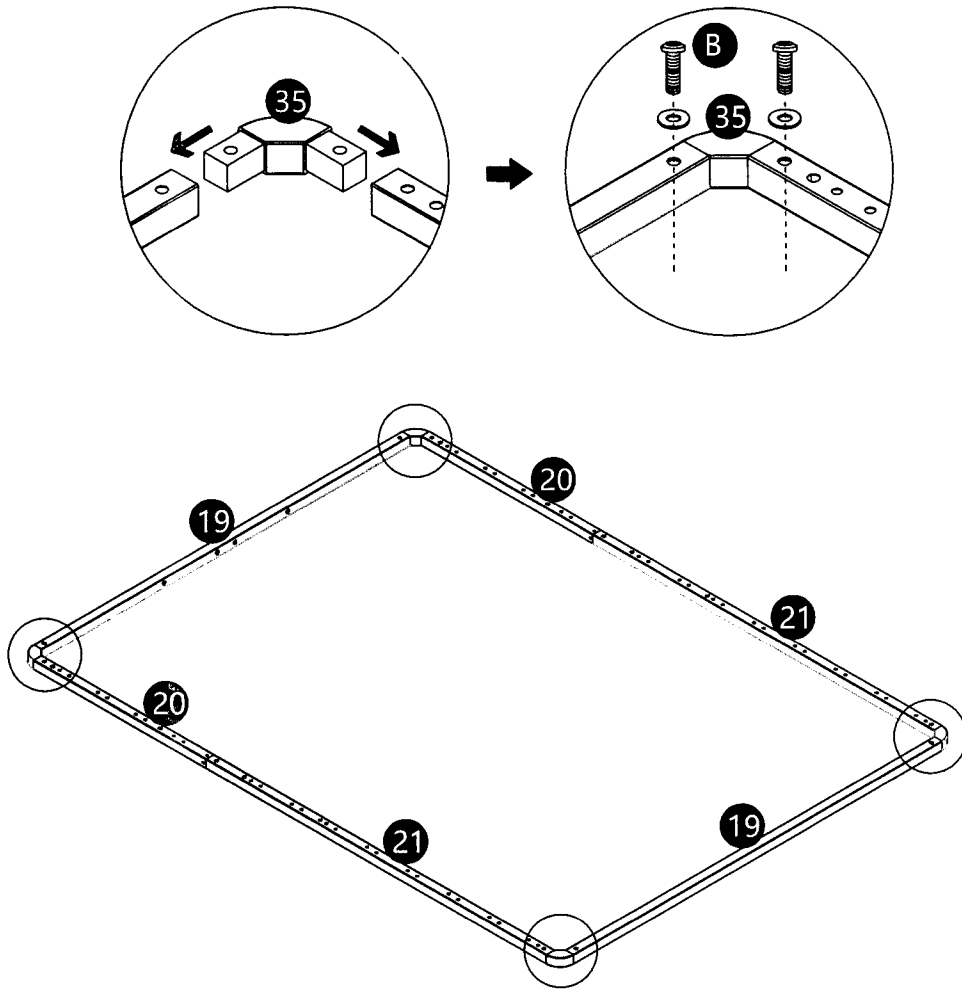


# Assembly Instruction of bed

Step:17

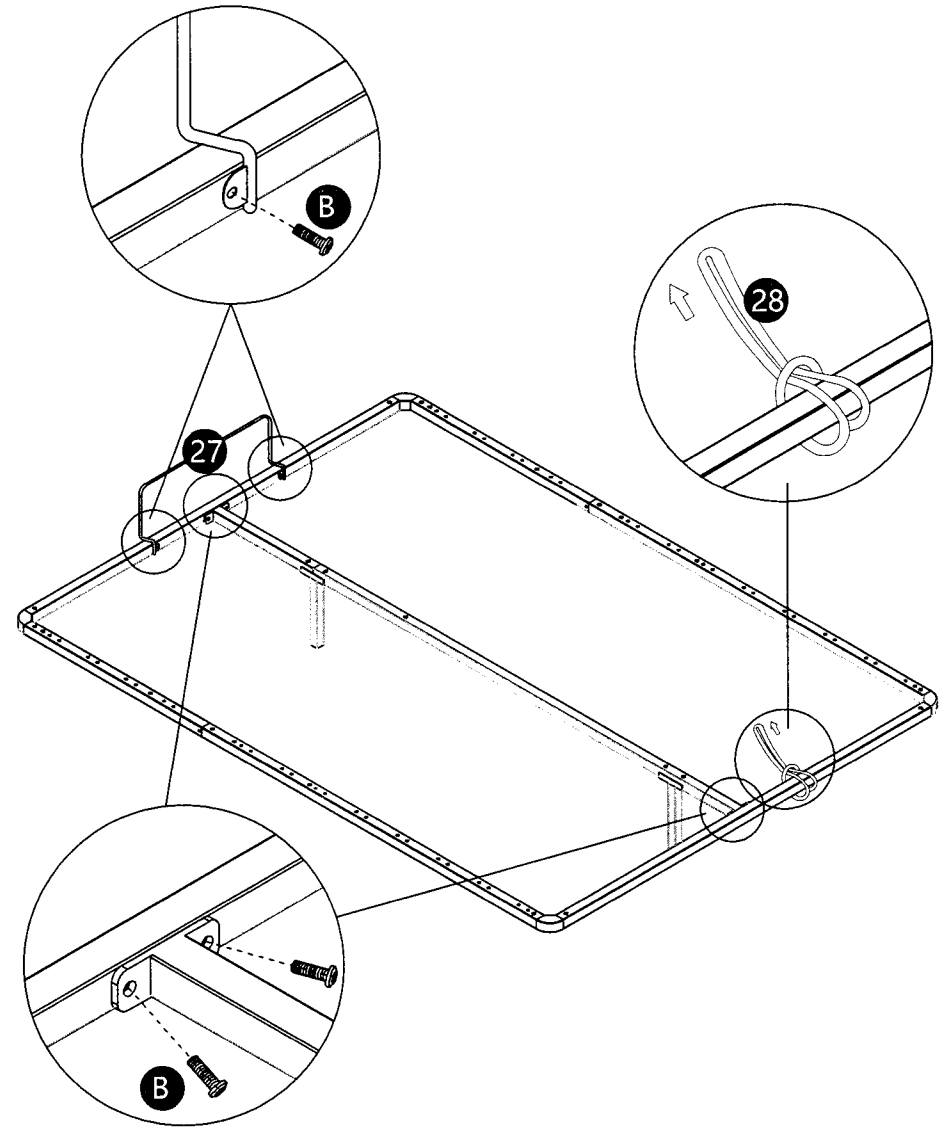
 **B** X8PCS  
M8\*15

 **F** X 8PCS  
M8\*φ22



Step:18

 **B** X6PCS  
M8\*15









# Assembly Instruction of bed

Step:19

This step requires 2 people

Please first locate the middle hole and lock the 17th tension rod, and then use screws and nuts to lock both sides when the tension rod is placed parallel

You need a person to lift the iron frame for easy locking of the screws on the side





 M8*55	 X 2PCS
 M8	 X 2PCS
 M8*35	 X 1PCS

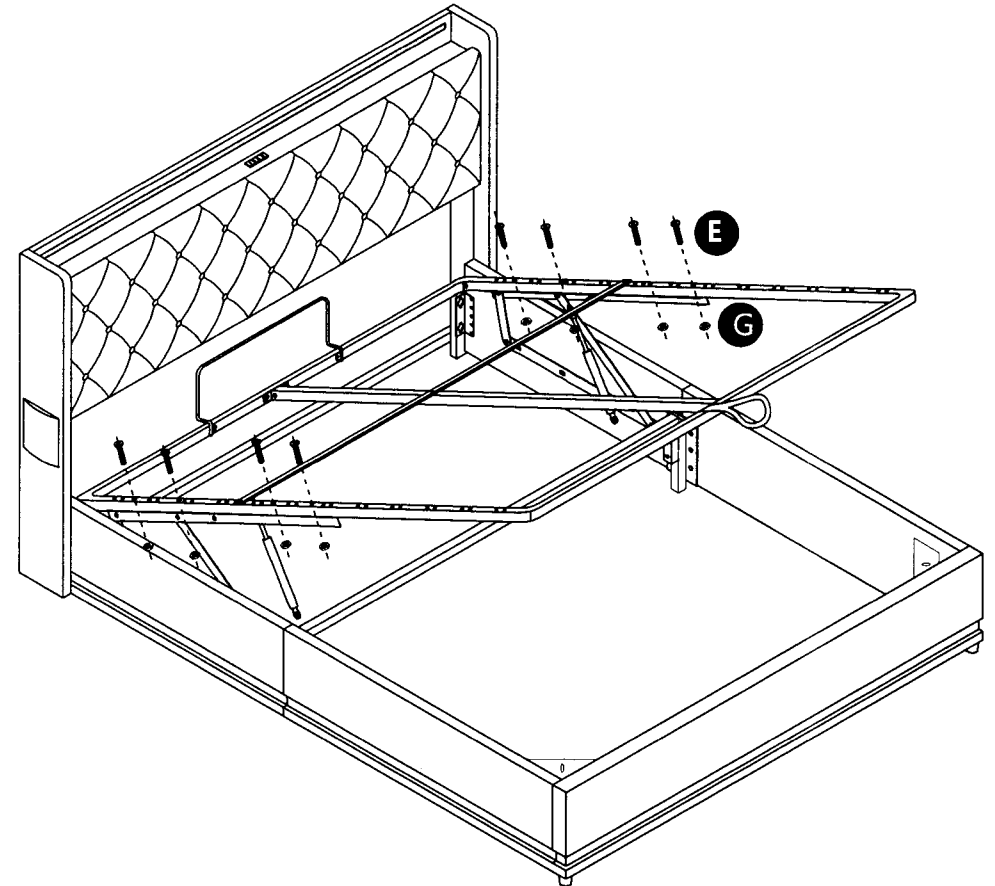
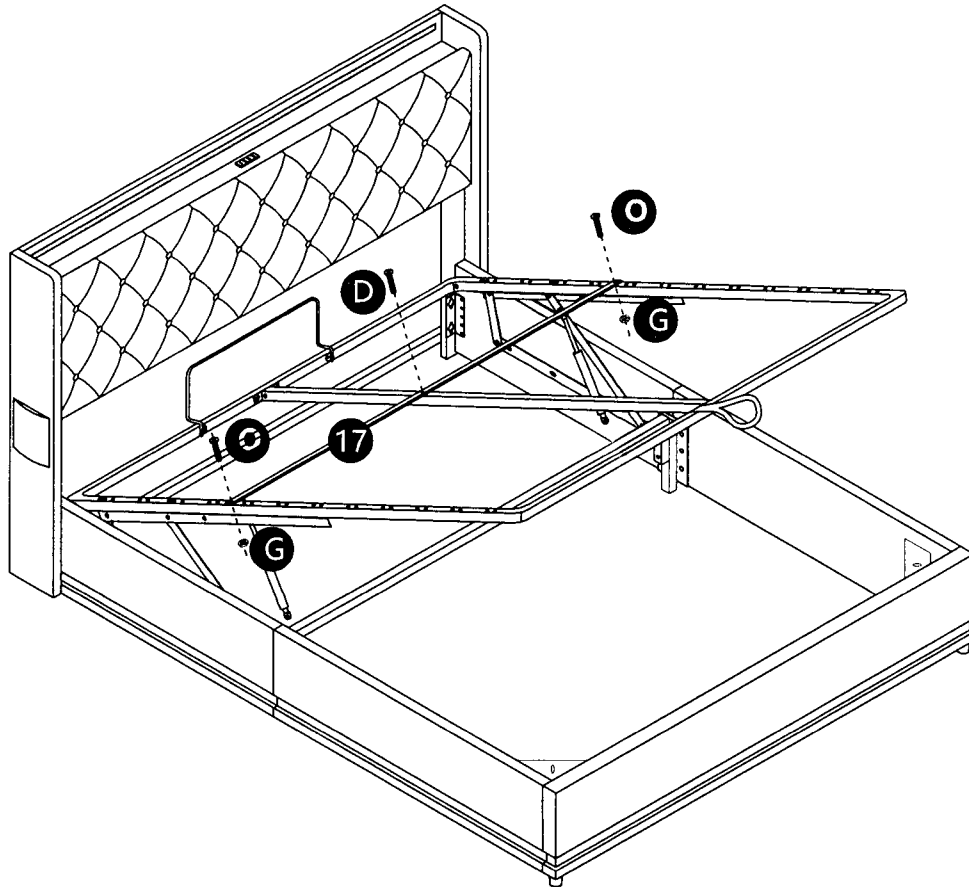
Step:20

This step requires 2 people

Please be patient in finding the hole that corresponds to the iron pipe and cylinder frame, and lock it with screws and nuts

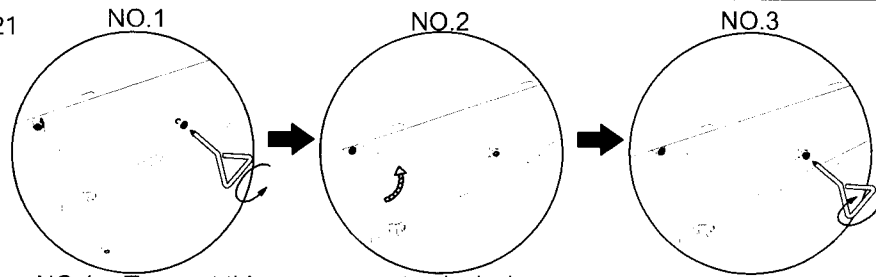
You need a person to lift the iron frame for easy locking of the screws on the side

 M8*40	 X 8PCS
 M8	 X 8PCS

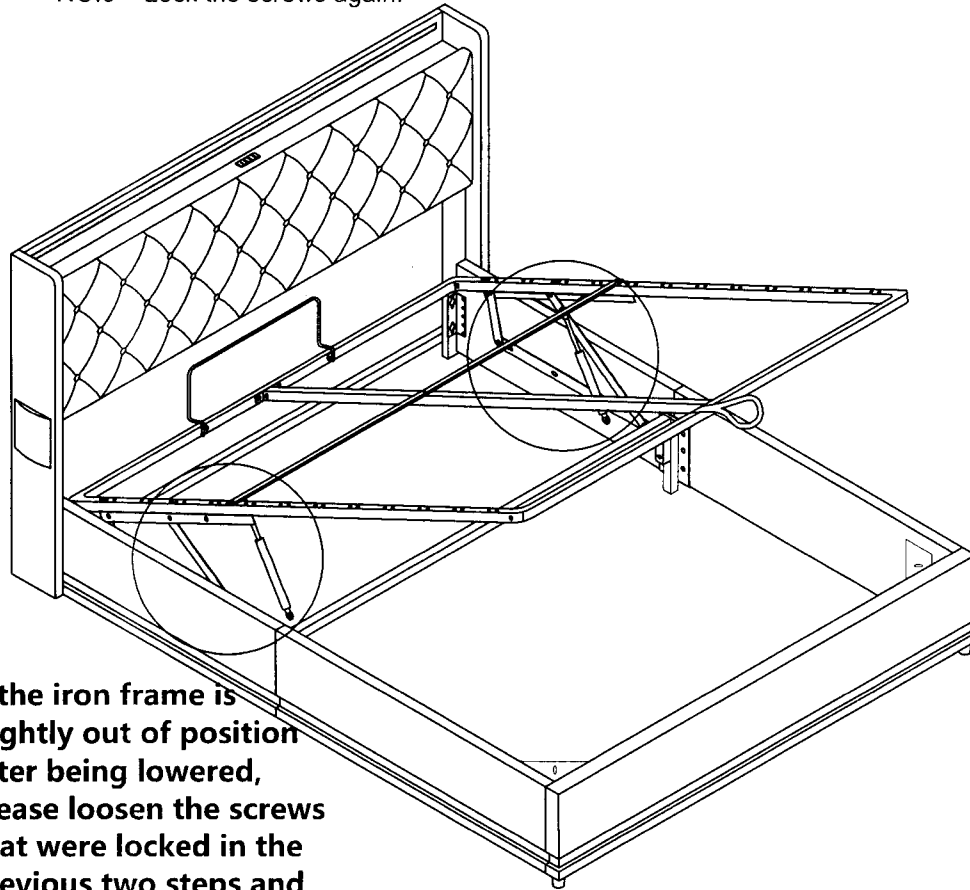


# Assembly Instruction of bed

Step:21

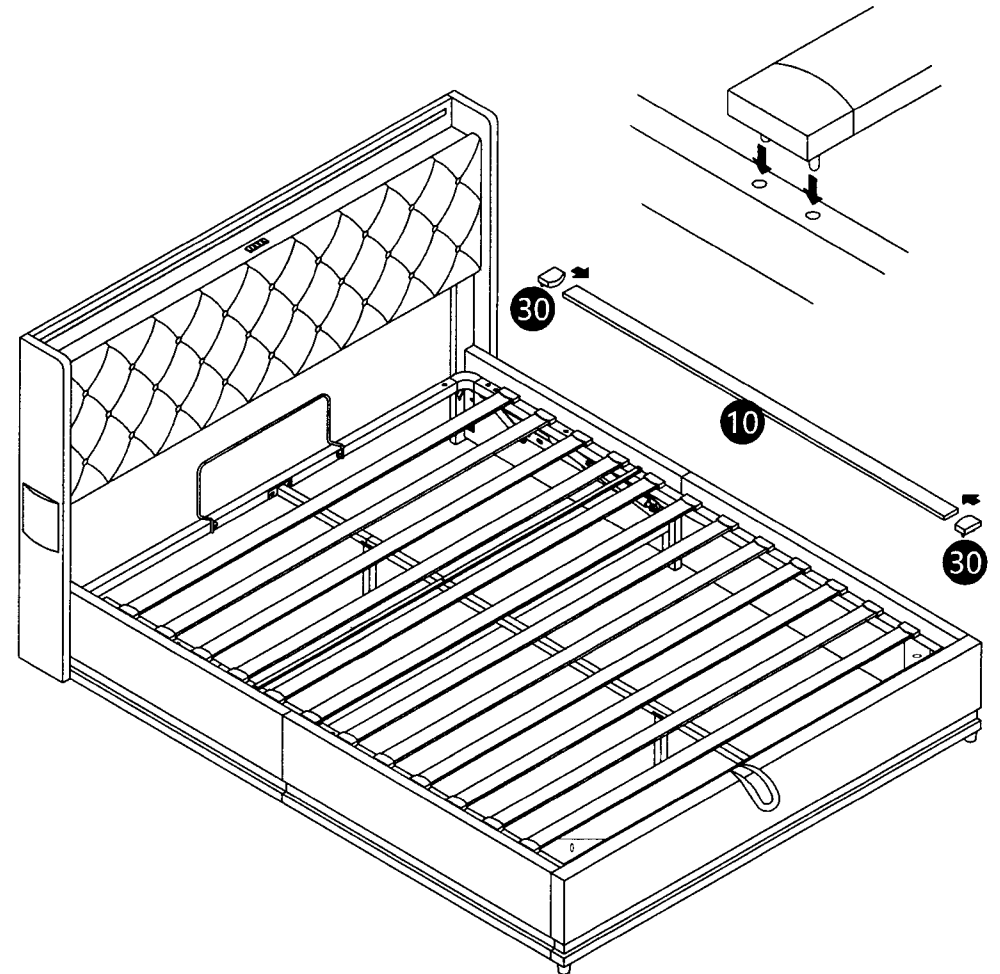


- NO.1 Turn out this screw counterclockwise.
- NO.2 Put the other end of the cylinder frame on as shown in the picture.
- NO.3 Lock the screws again.



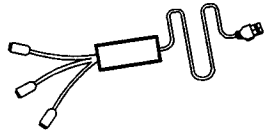
**If the iron frame is slightly out of position after being lowered, please loosen the screws that were locked in the previous two steps and adjust the position of the iron frame before locking it again**

Step:22

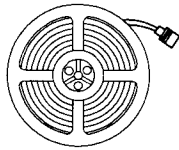


# Assembly Instruction of light bar

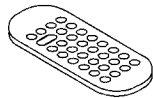
## LED related accessories



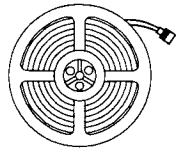
Power cord X1



Light strip X2

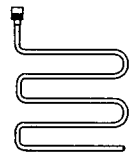


Remote control X1



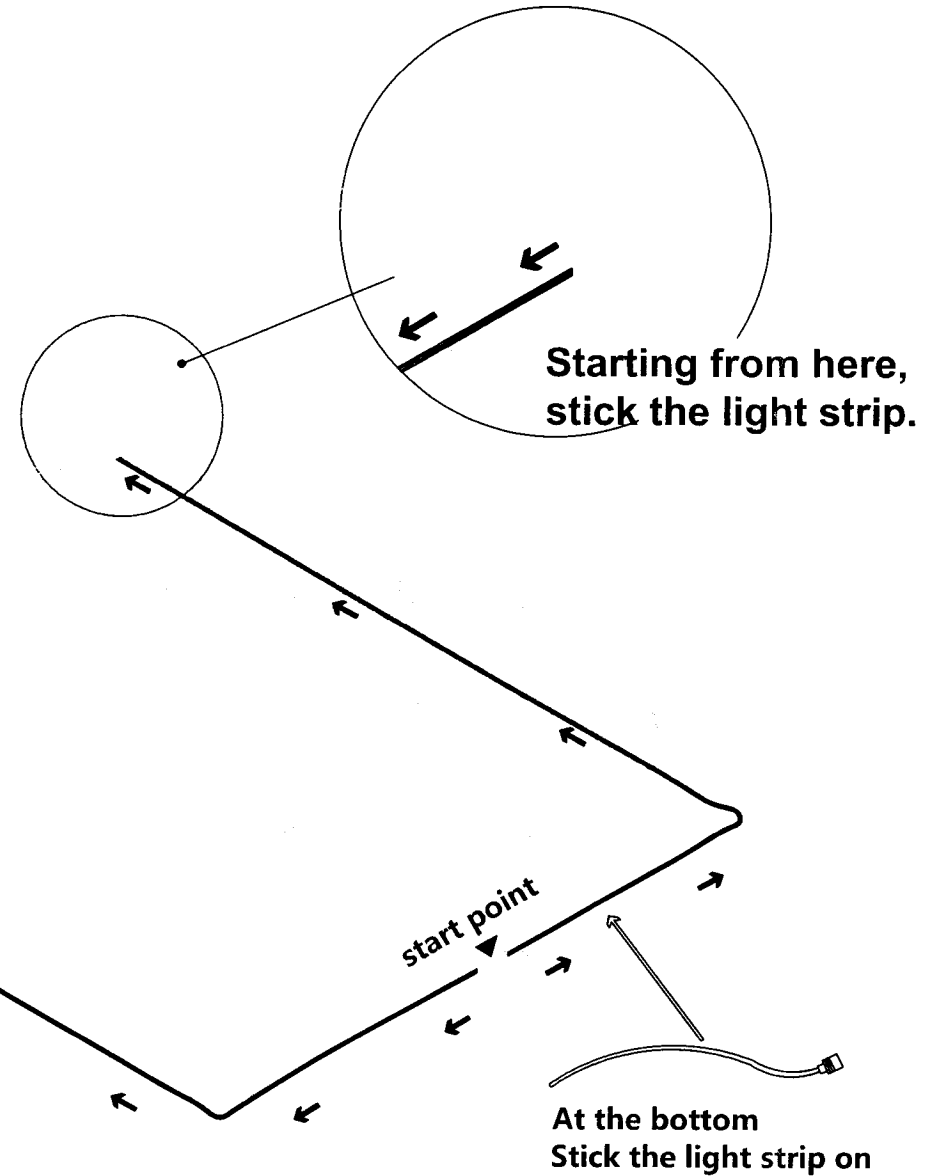
light strip

Pull out  
and unfold



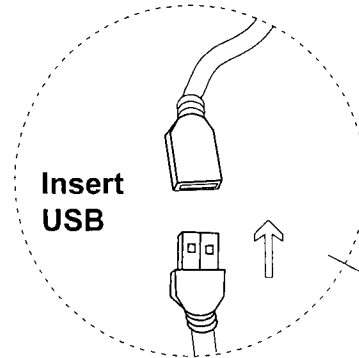
light strip

The unfolded light strip has a light strip surface on one side and a magic veneer on the other side.

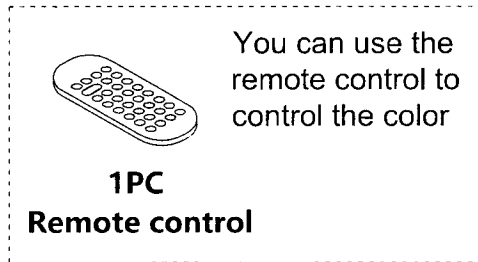


# Assembly Instruction of light bar

There is a USB female port on the socket. Please plug the USB plug with power cord into this USB female port



**The plug of the USB socket must be connected to the power supply before it can be used !!!**



**After connecting all the lines, sort them out and clip them into the harness Magic Band**

