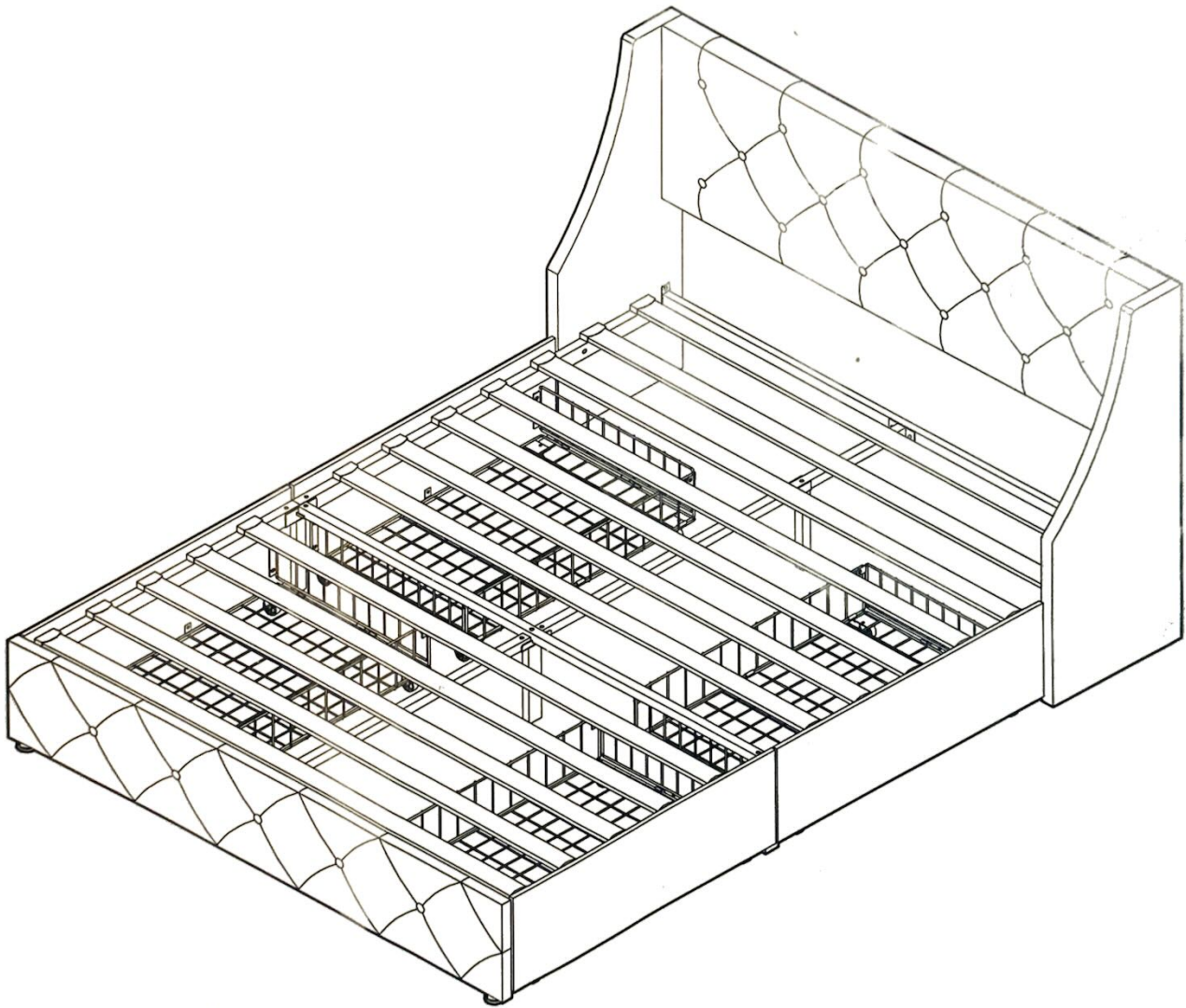


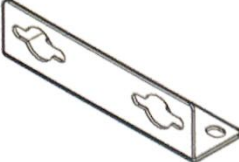
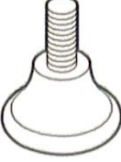
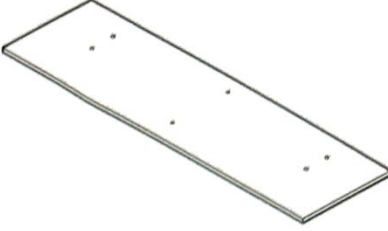
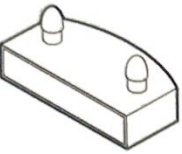


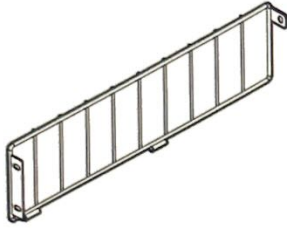

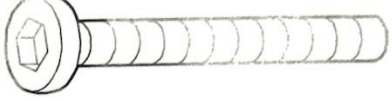
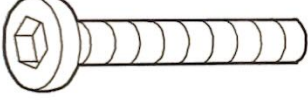
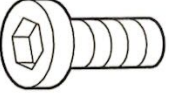
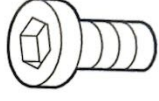
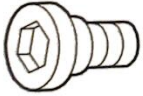
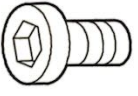






PLATFORM BED KBMM0001

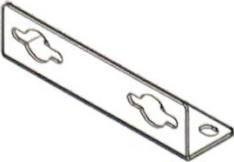

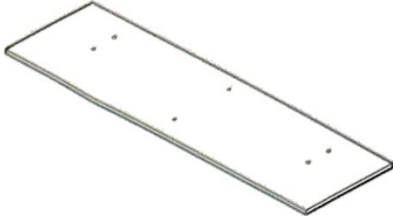
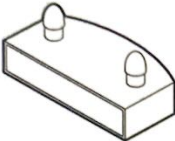


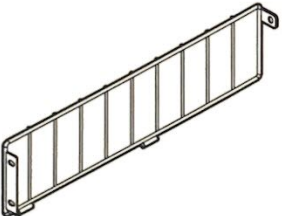


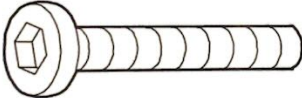
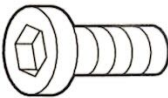
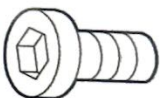
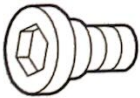
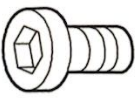

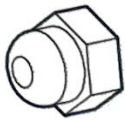




ORIGINAL INSTRUCTION MANUAL



DEAR CUSTOMER,

Thank you for choosing our product. Please read this manual carefully before assembling or using the product, to avoid damage caused by improper use. If the product is passed on to third parties, this manual has to be passed on along with the product. For any question don't hesitate to contact us.

M  2x	N  2x	O  4x	
P  24x	Q  16x	R  4x	
S  4x	T  4x	U1  9x M8x50mm	
U2  5x M8x40mm	U3  18x M8x25mm	U4  2x M8x16mm	
U5  4x M8x12mm	U6  28x M6x12mm	U7  16x	V  8x M6
W  14x M8xφ22mm	X  1x M6	Y  1x M8 Spanner	Z  1x M6 Spanner

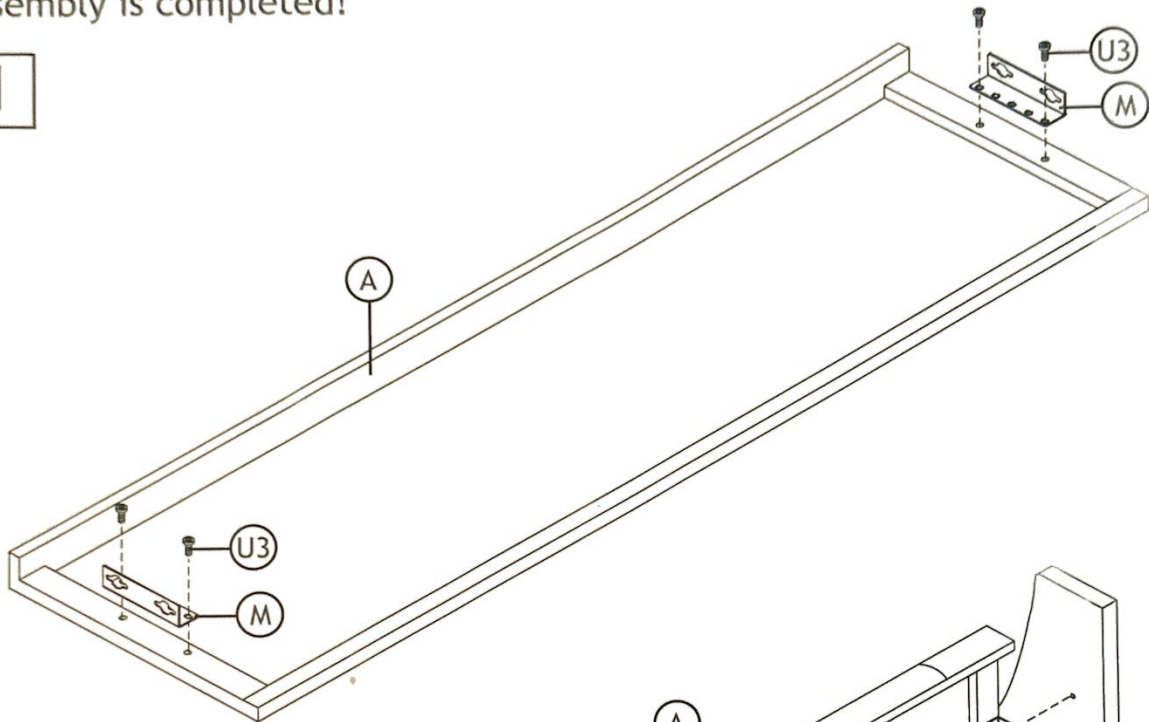
M	2×	N	2×	O	4×		
							
P	24×	Q	16×	R	4×		
							
S	4×	T	4×	U1	9×		
					M8×50mm		
U2	5×	U3	18×	U4	2×		
							
M8×40mm		M8×25mm		M8×16mm			
U5	4×	U6	28×	U7	16×	V	8×
							
M8×12mm		M6×12mm				M6	
W	14×	X	1×	Y	1×	Z	1×
							
M8×φ22mm		M6		M8 Spanner		M6 Spanner	

ASSEMBLY

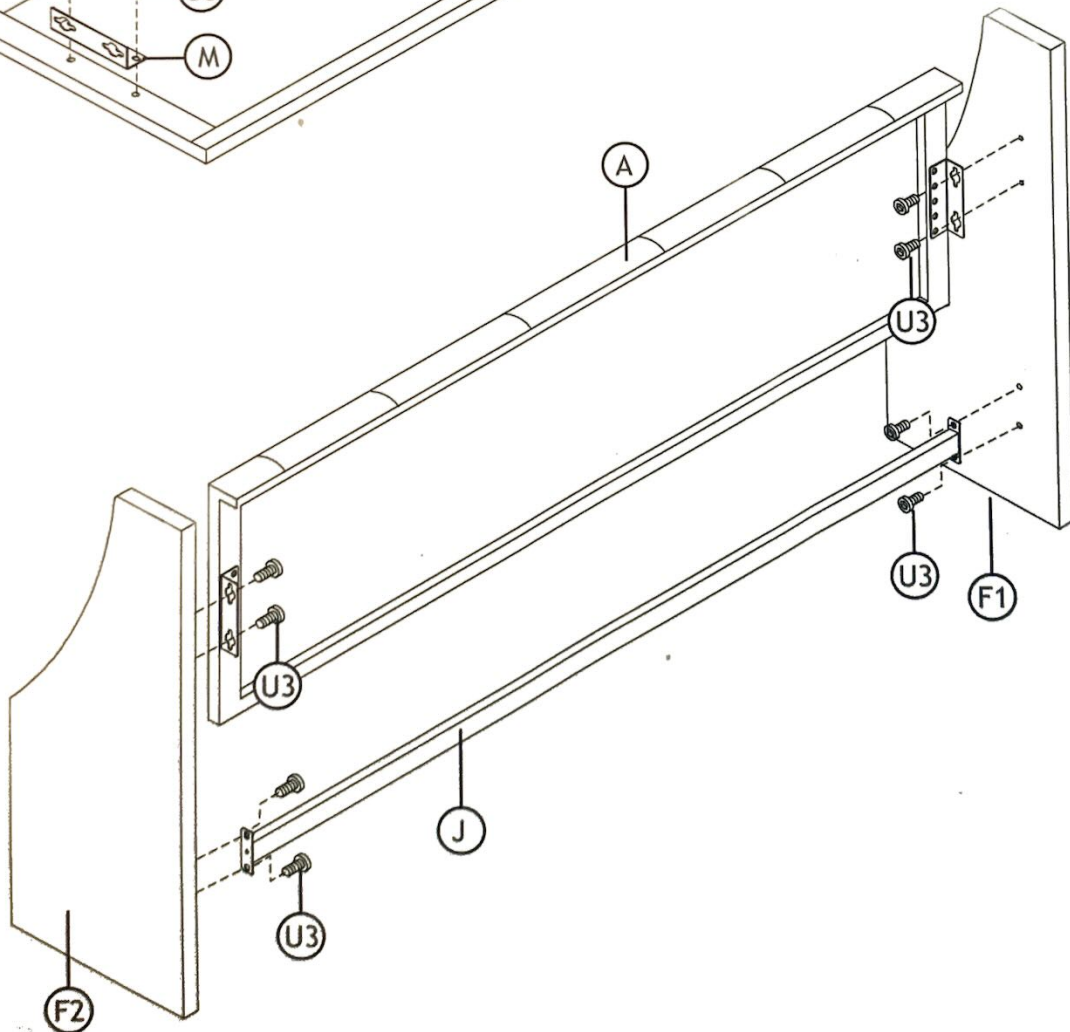
Before your installation, please make sure that you have all the parts listed on the manual. If you find something missing, stop installing and contact your supplier immediately.

NOTE: Please do not completely tighten all the hardware until the entire assembly is completed!

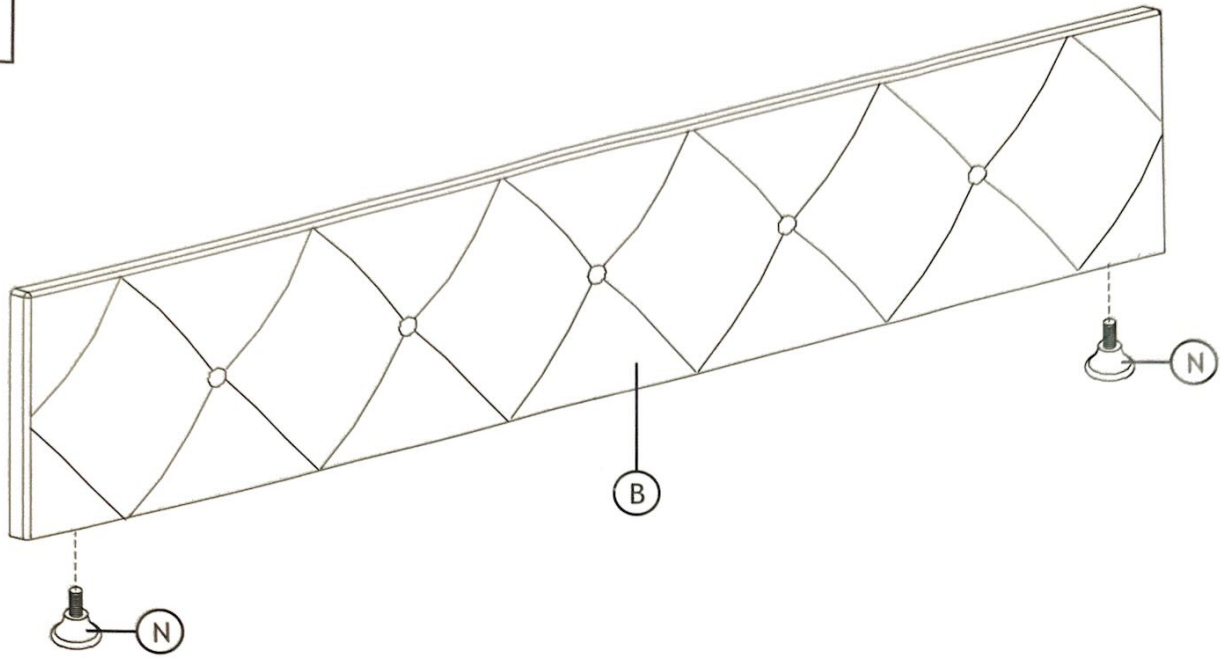
1



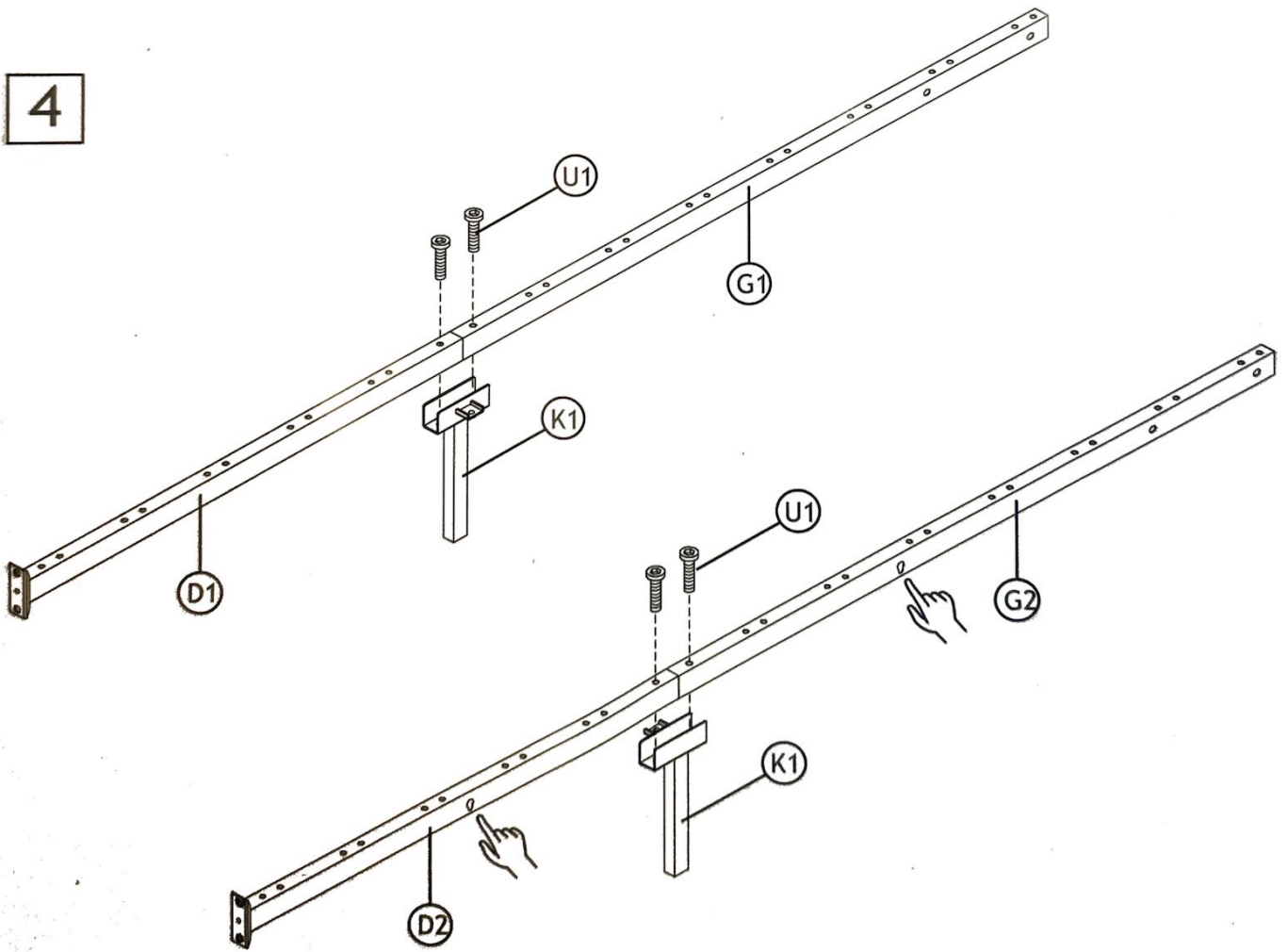
2



3

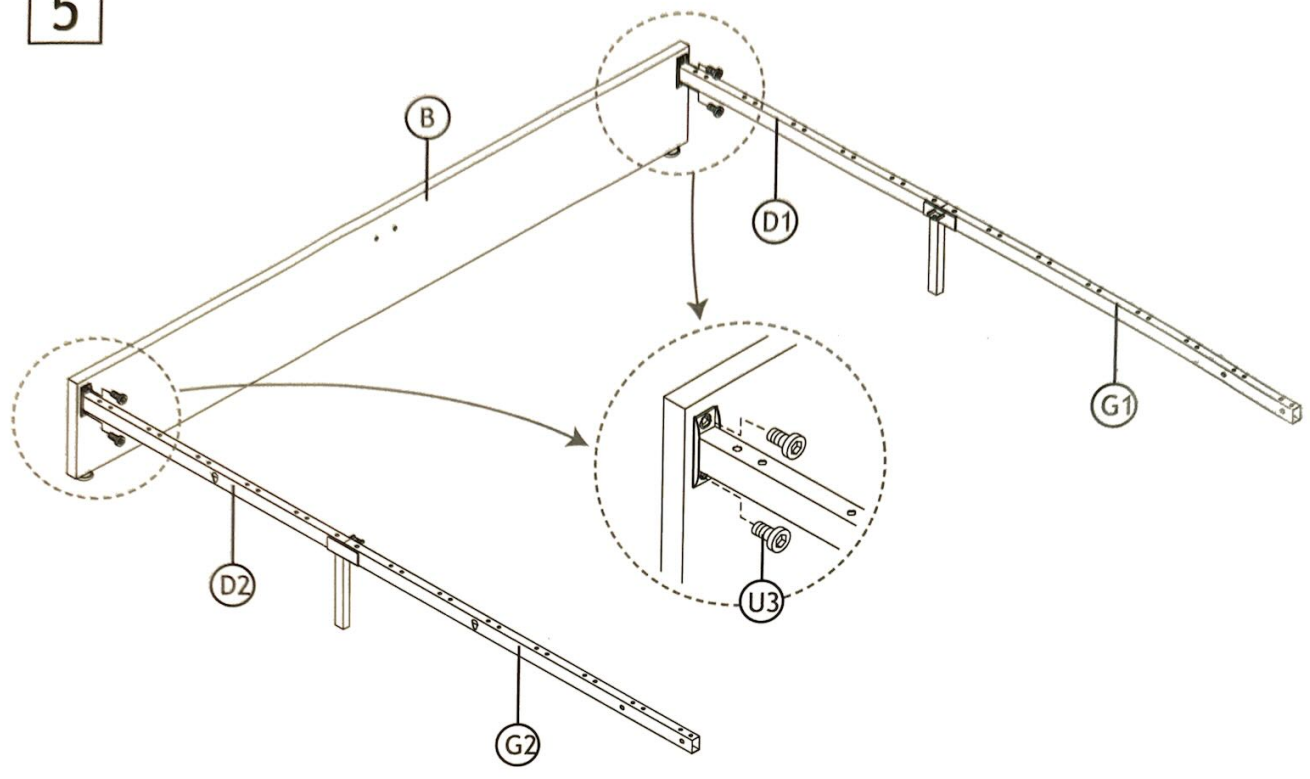


4

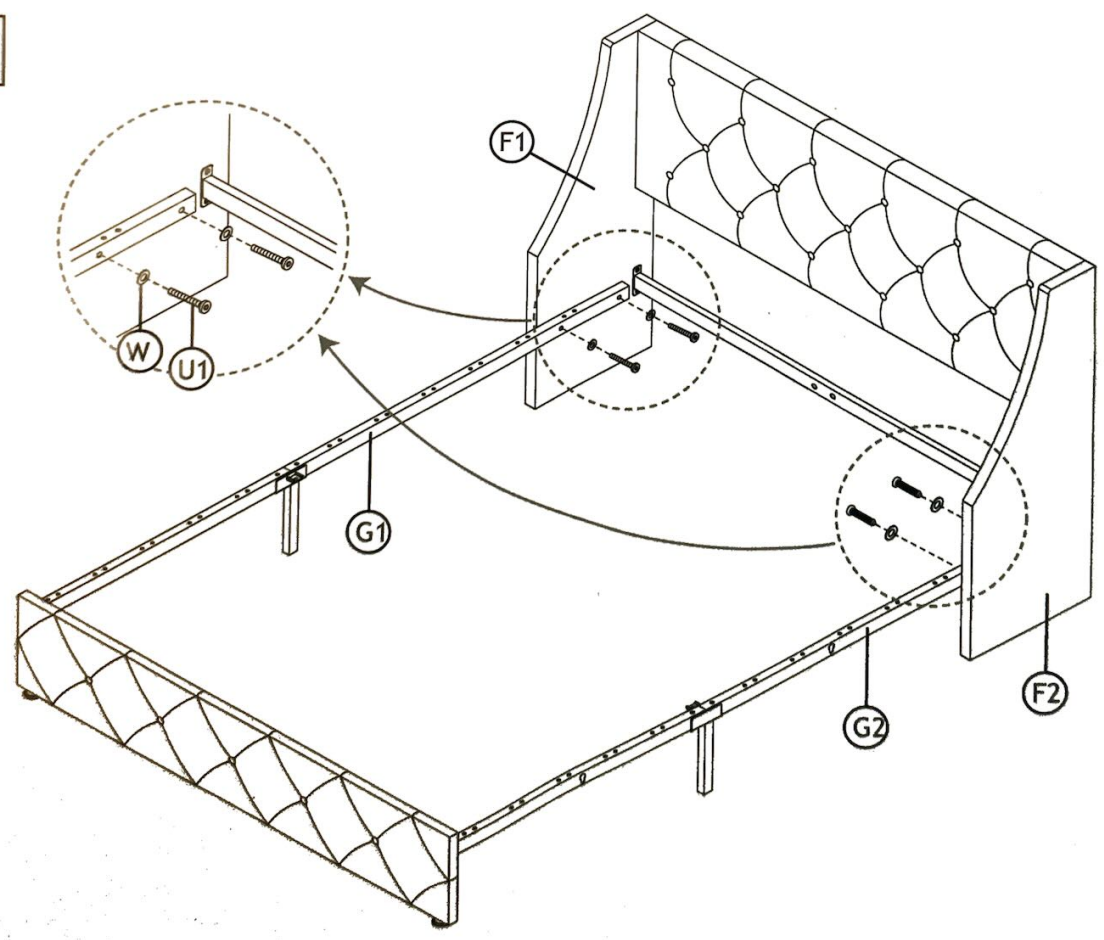


5

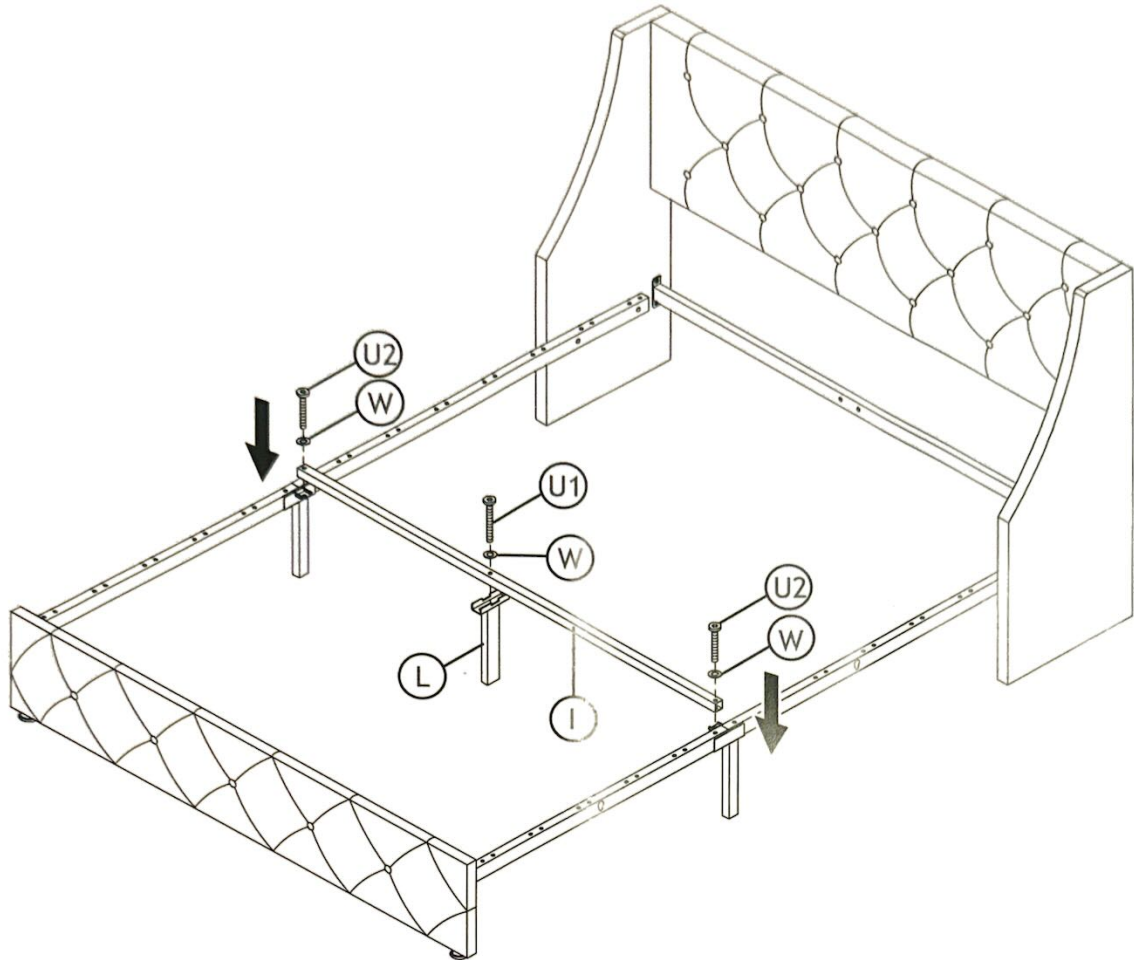
5



6

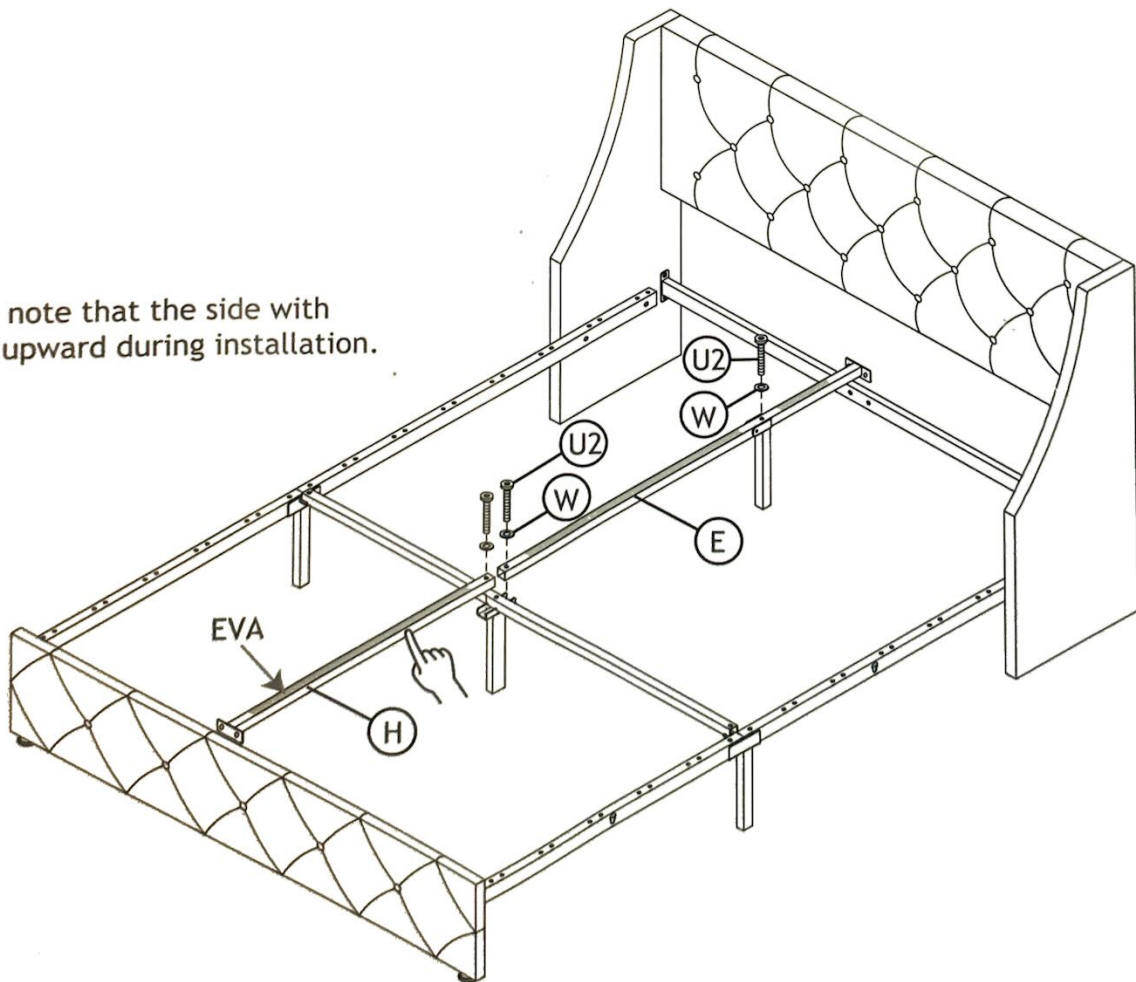


7



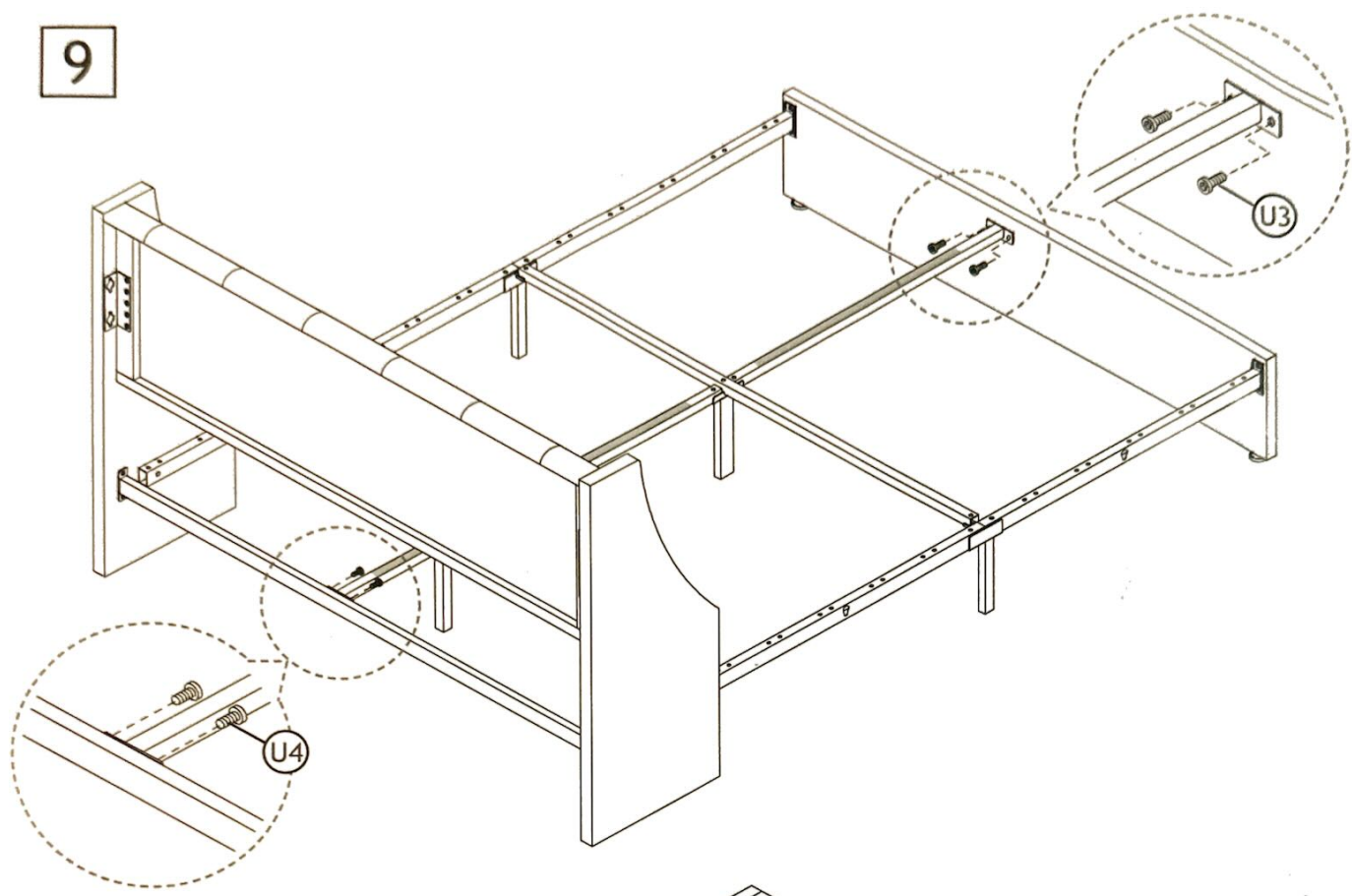
8

Please note that the side with EVA is upward during installation.

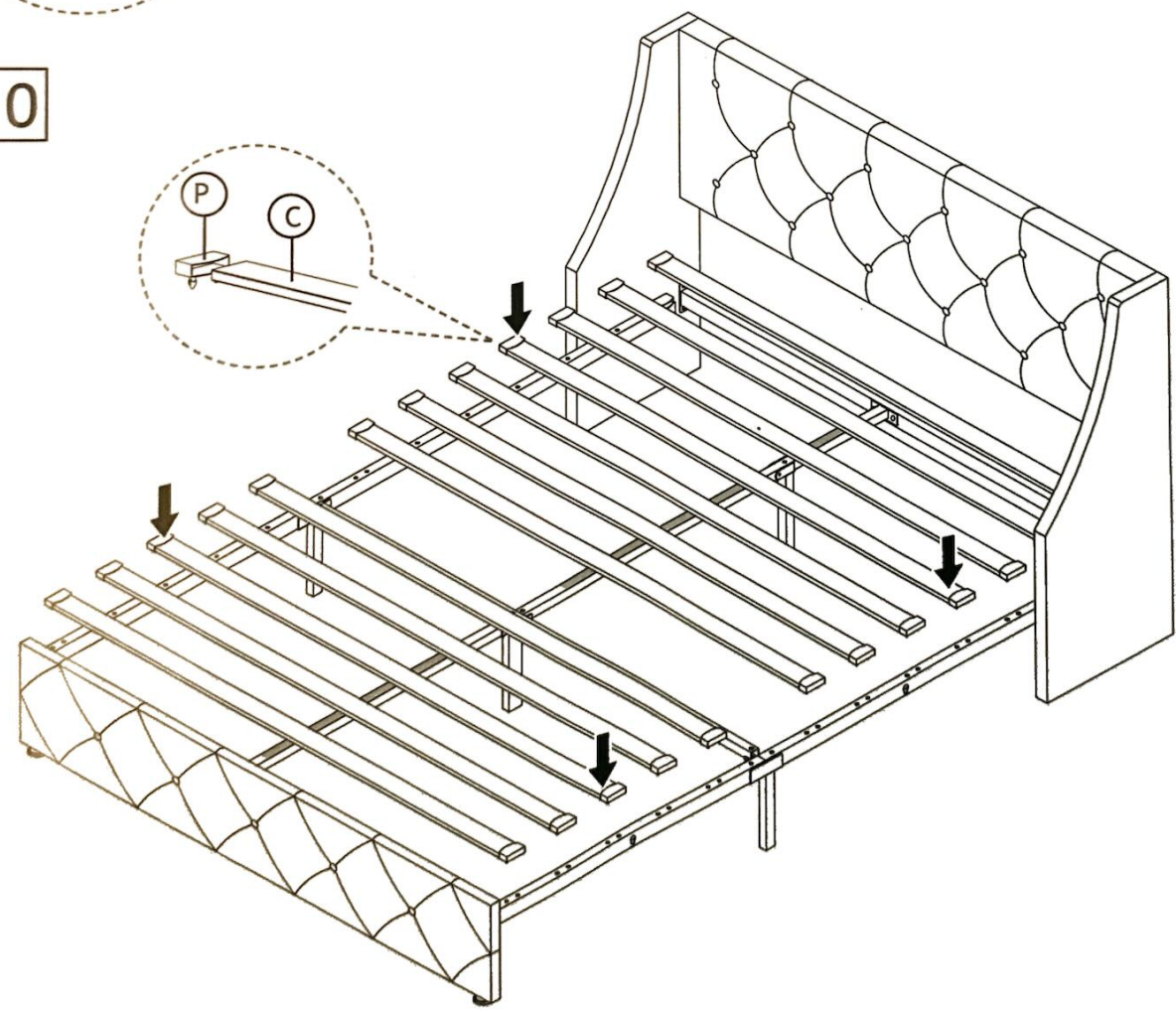


7

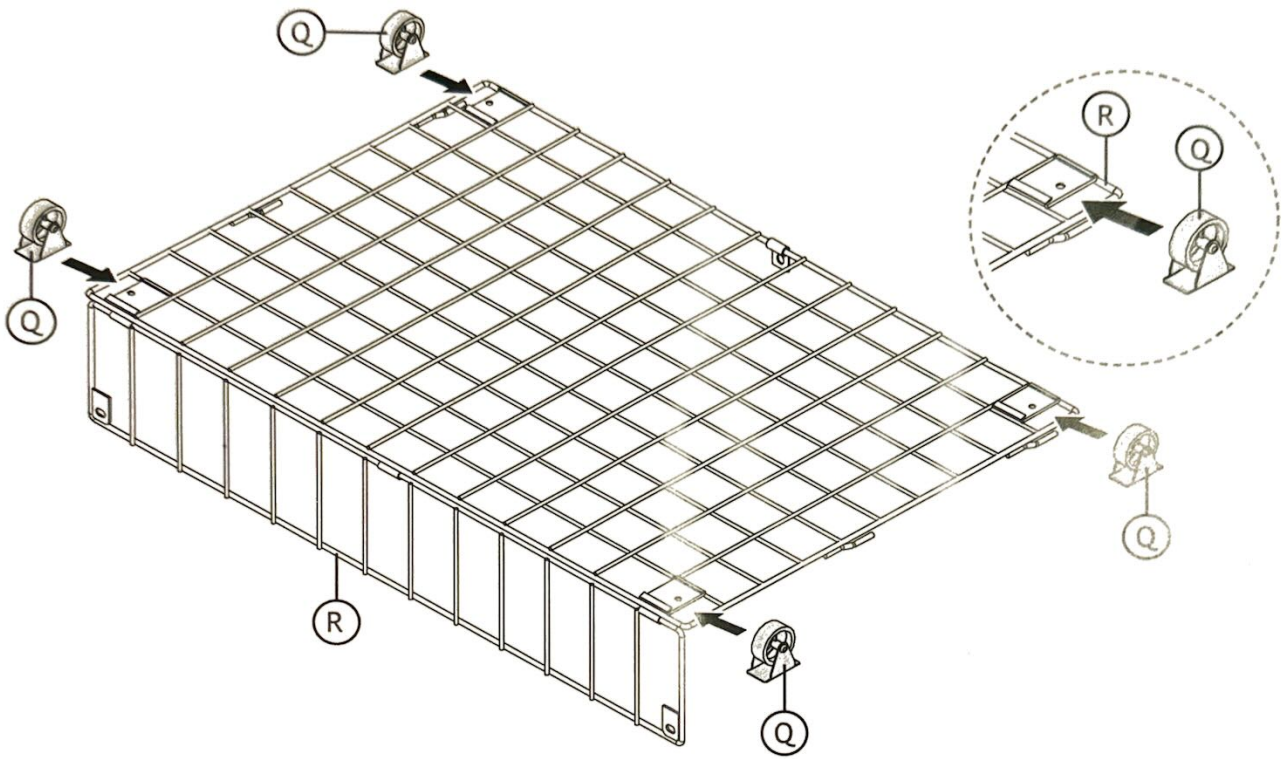
9



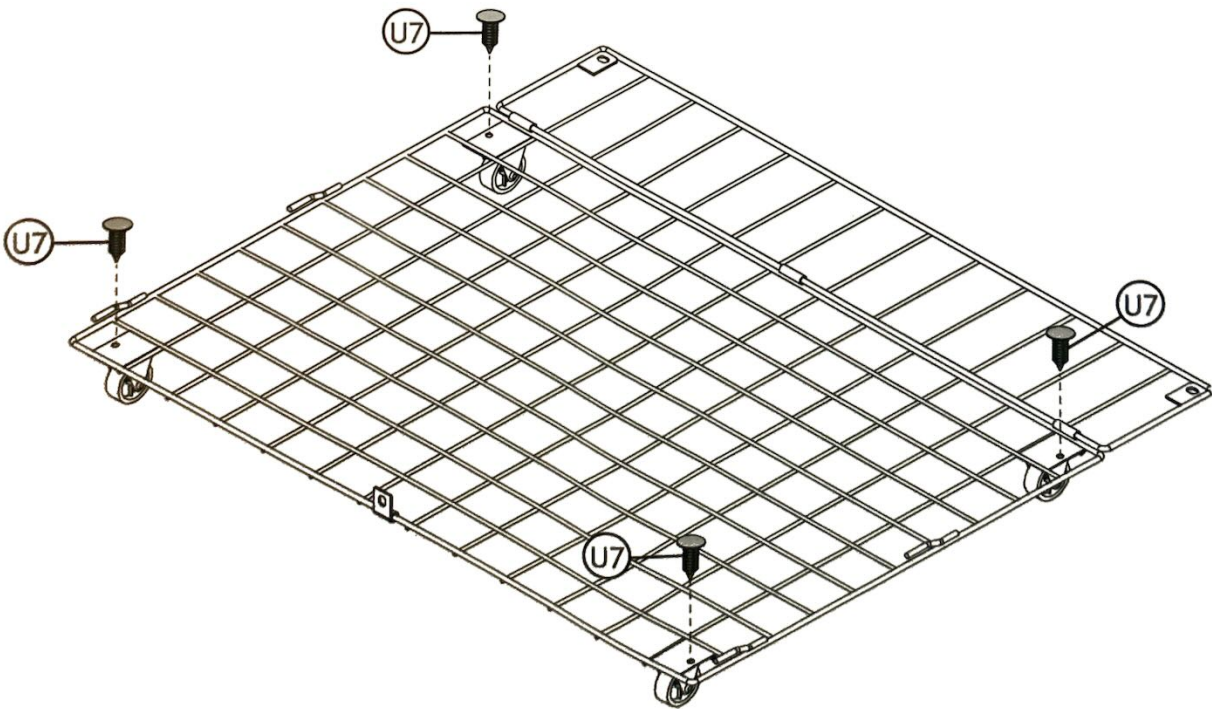
10



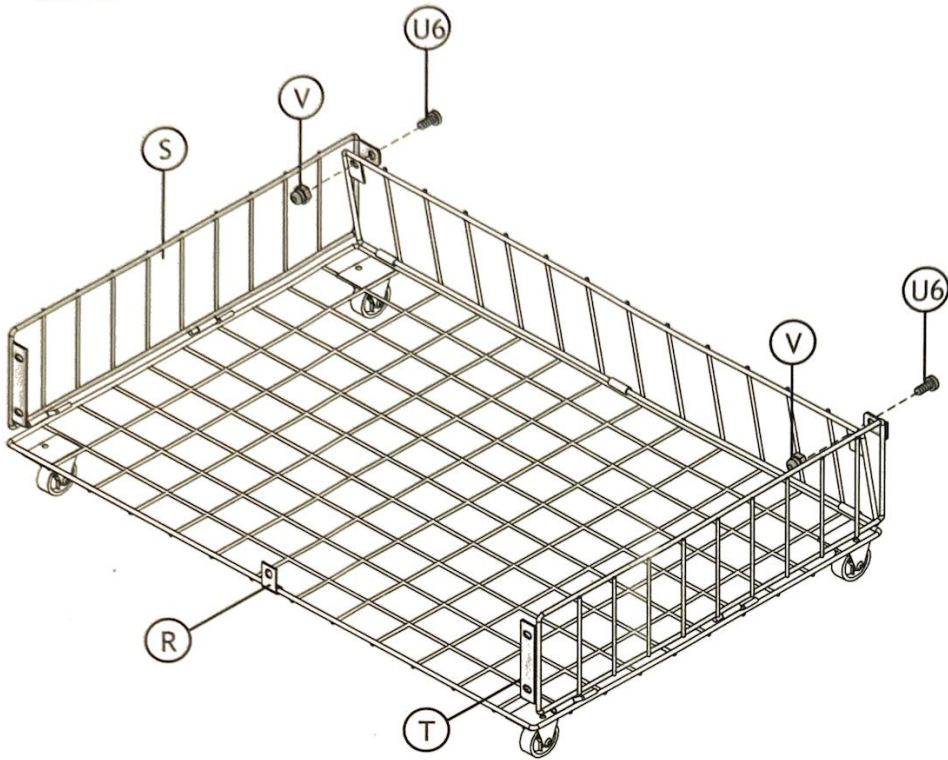
11



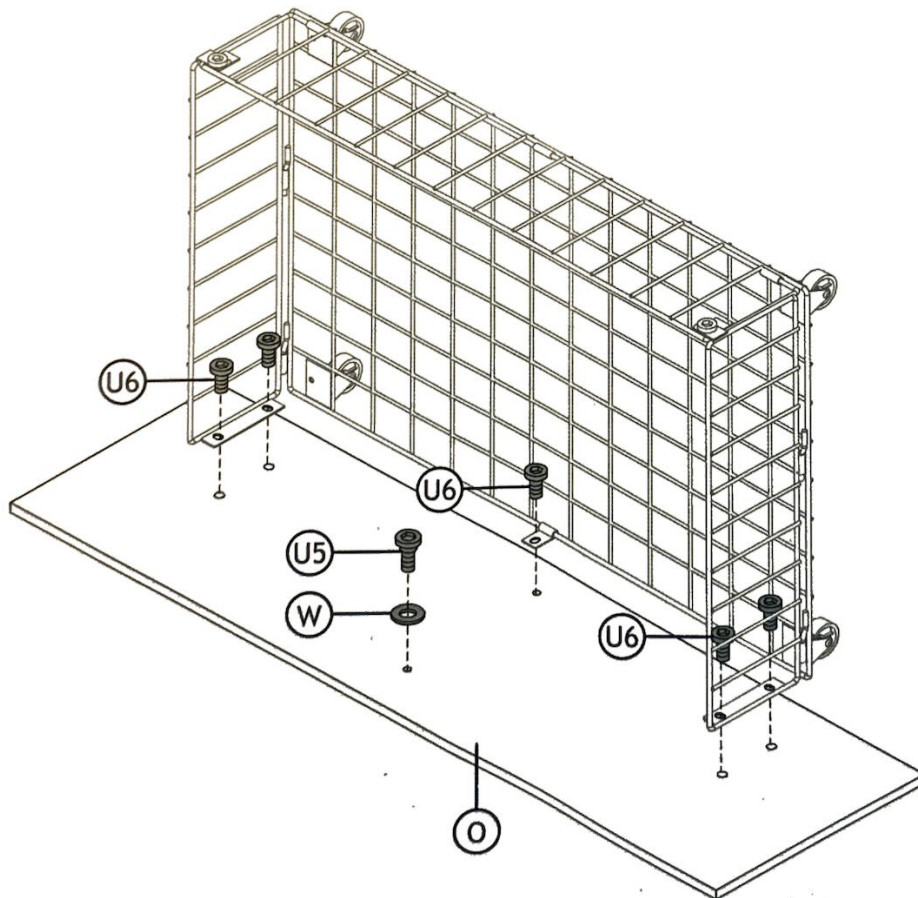
12



13

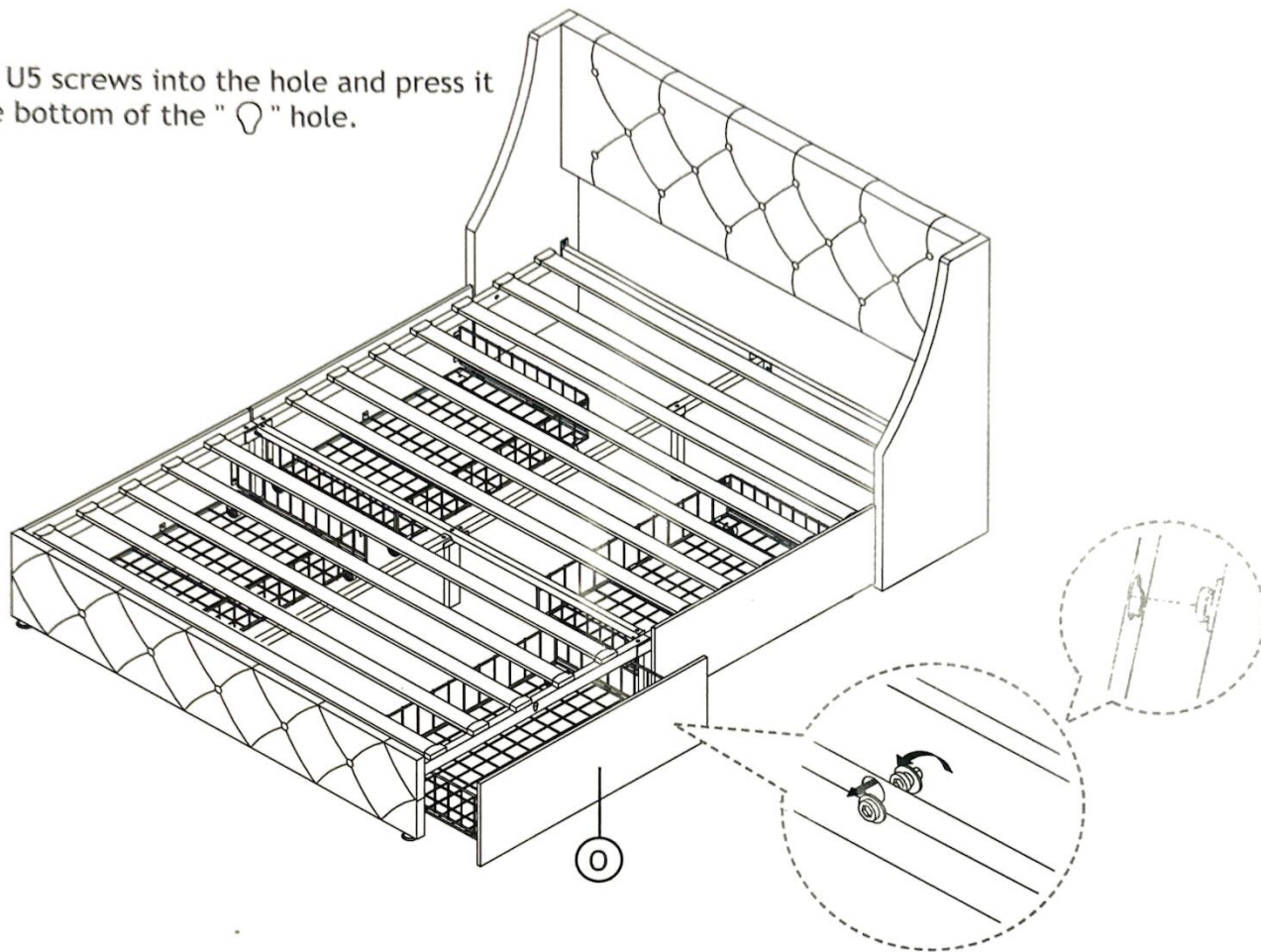


14

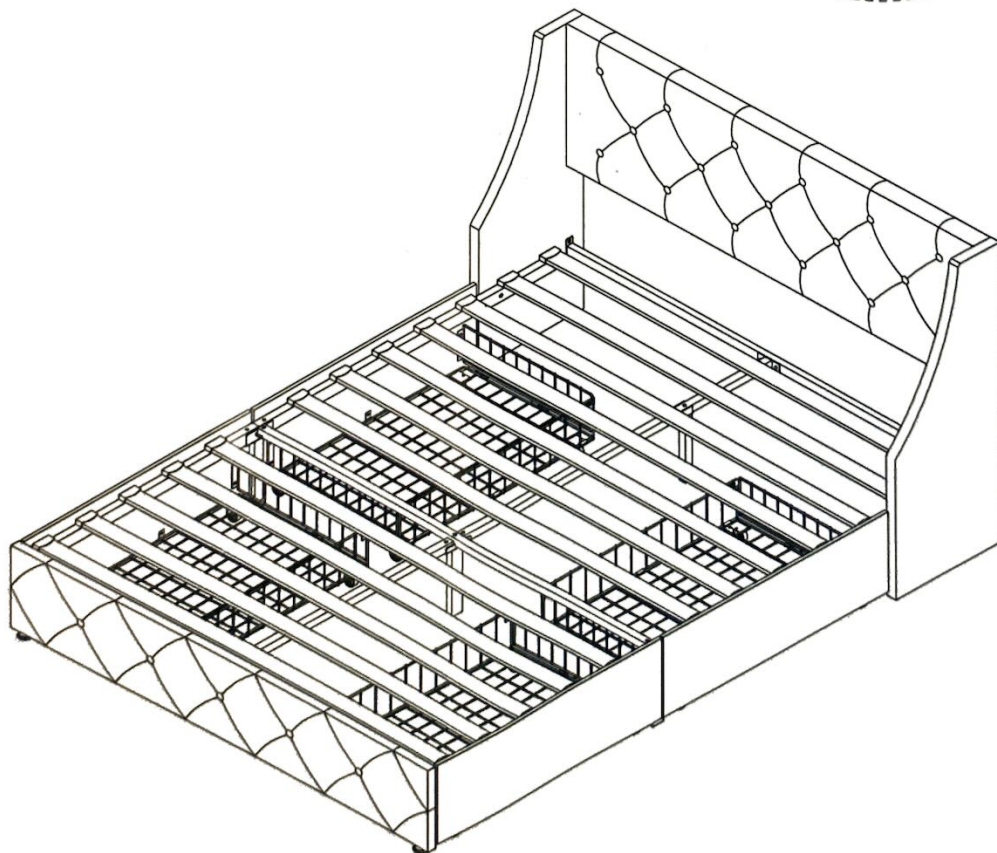


15

Put the U5 screws into the hole and press it into the bottom of the "⓪" hole.



16



Home-smart furniture co.,ltd
Add:NO.55,siming industrial park,meixi road,tong'an dist,xiamen city,china.
MADE IN CHINA