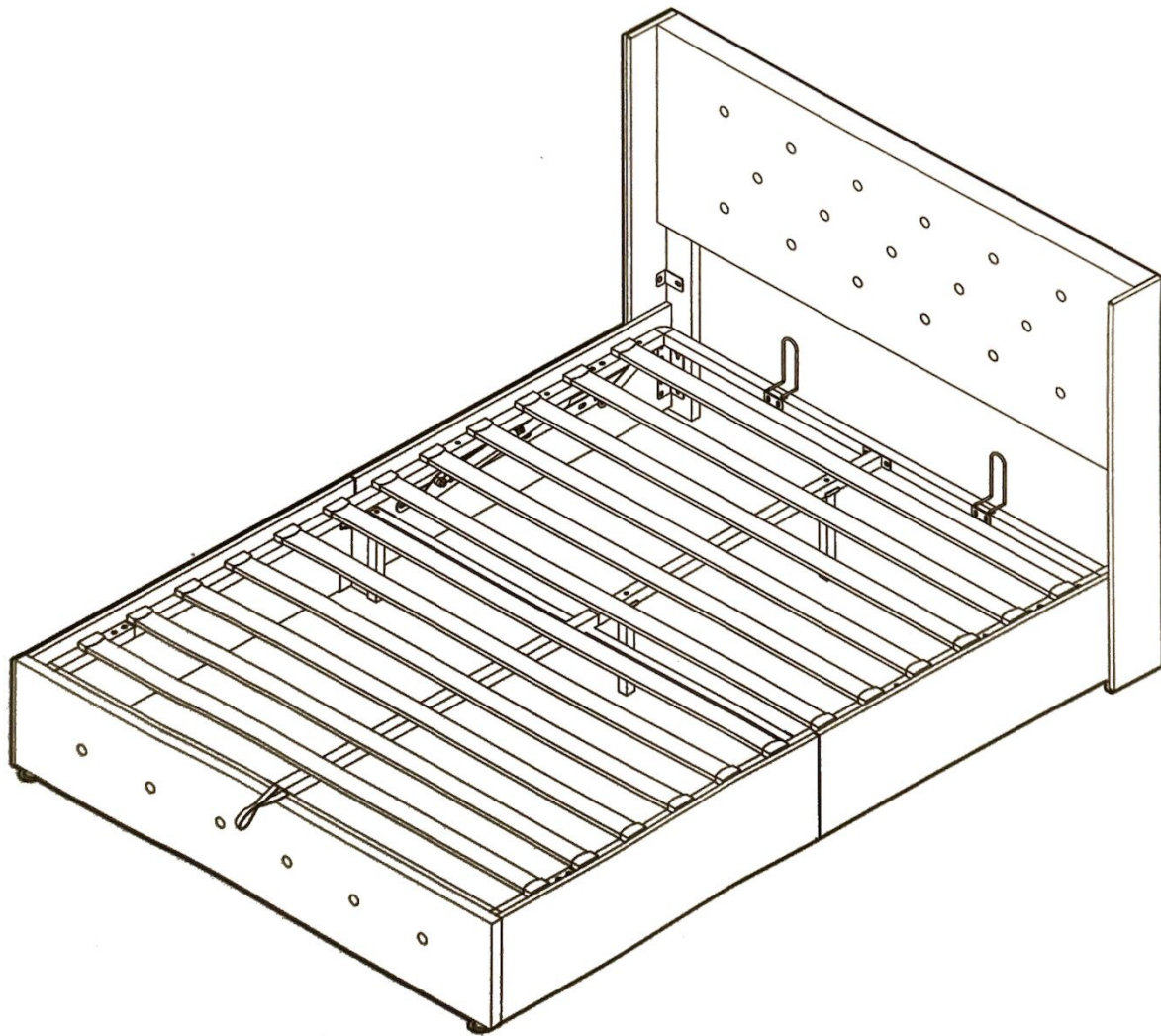


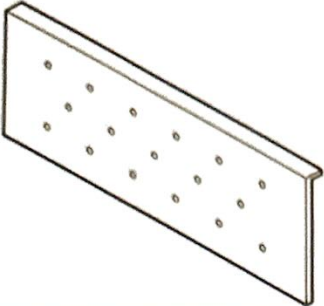

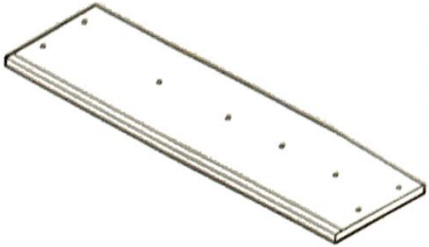
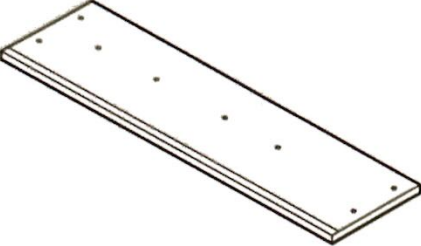
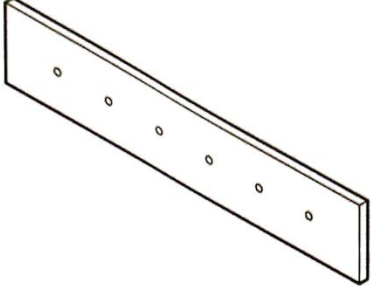
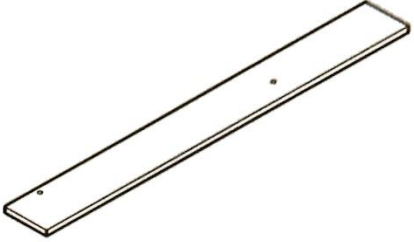


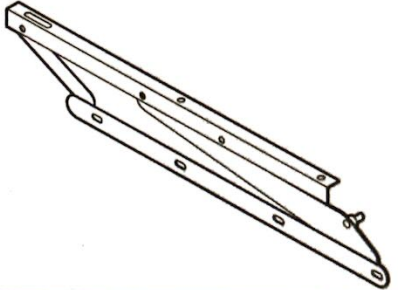
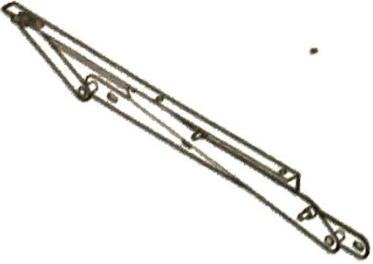
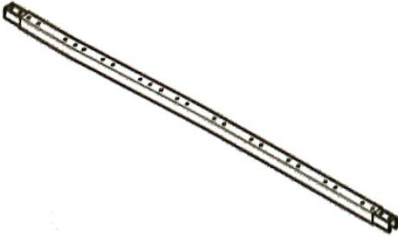


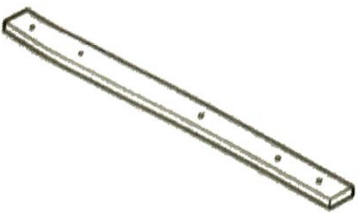
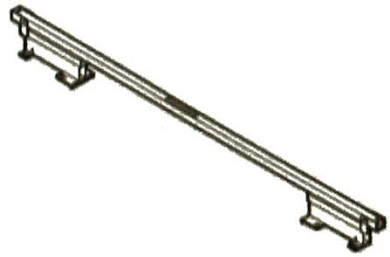
PLATFORM BED
KBMV0001
ORIGINAL INSTRUCTION MANUAL

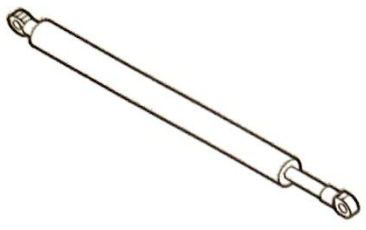




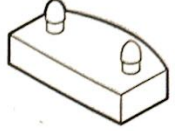


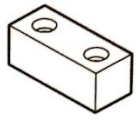
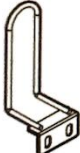











DEAR CUSTOMER,

Thank you for choosing our product. Please read this manual carefully before assembling or using the product, to avoid damage caused by improper use. If the product is passed on to third parties, this manual has to be passed on along with the product. For any question don't hesitate to contact us.

PARTS LIST

A 	1× C1 	2× D1 
D2 	1× E 	1× F1 
F2 	1× G1 	12× H1 
H2 	1× I1 	2× J1 
J2 	1× K 	2× L1 

N1  2×	O1  1×	O2  1×	
P  2×	Q  4×	R  24×	
S  Feet 2×	T  4×	U  3×	
V  2×	W  Cloth stripe 1×	X1  M8×50mm 10×	
X2  M8×45mm 10×	X4  M8×30mm 16×	X5  M8×18mm 42×	
Y  M8 10×	Z1  $\phi 22 \times \phi 8.5$ 4×	Z2  M8 Spanner 1×	Z3  M8 Spanner 1×

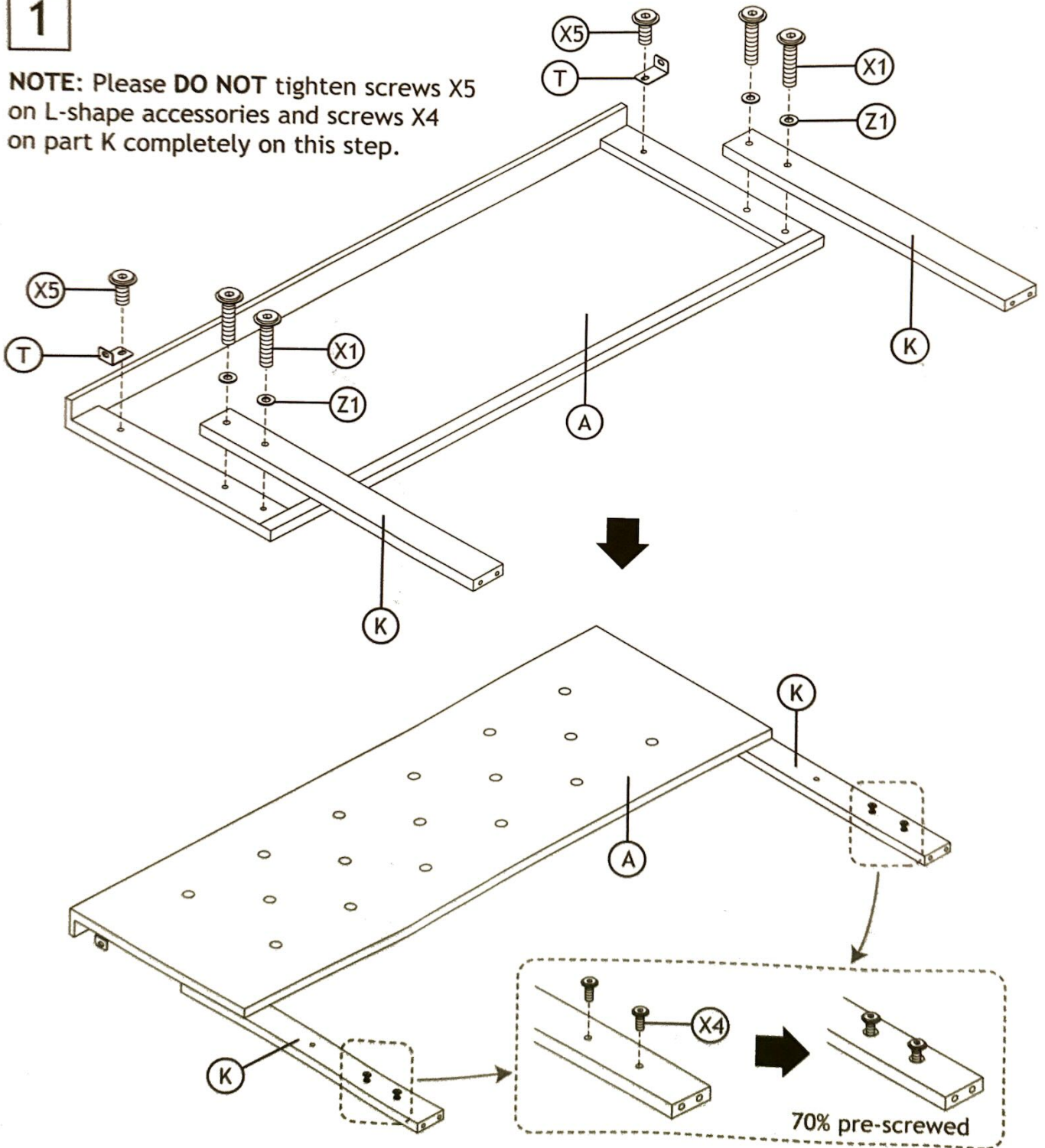
ASSEMBLY

Before your installation, please make sure that you have all the parts listed on the manual. If you find something missing, stop installing and contact your supplier immediately.

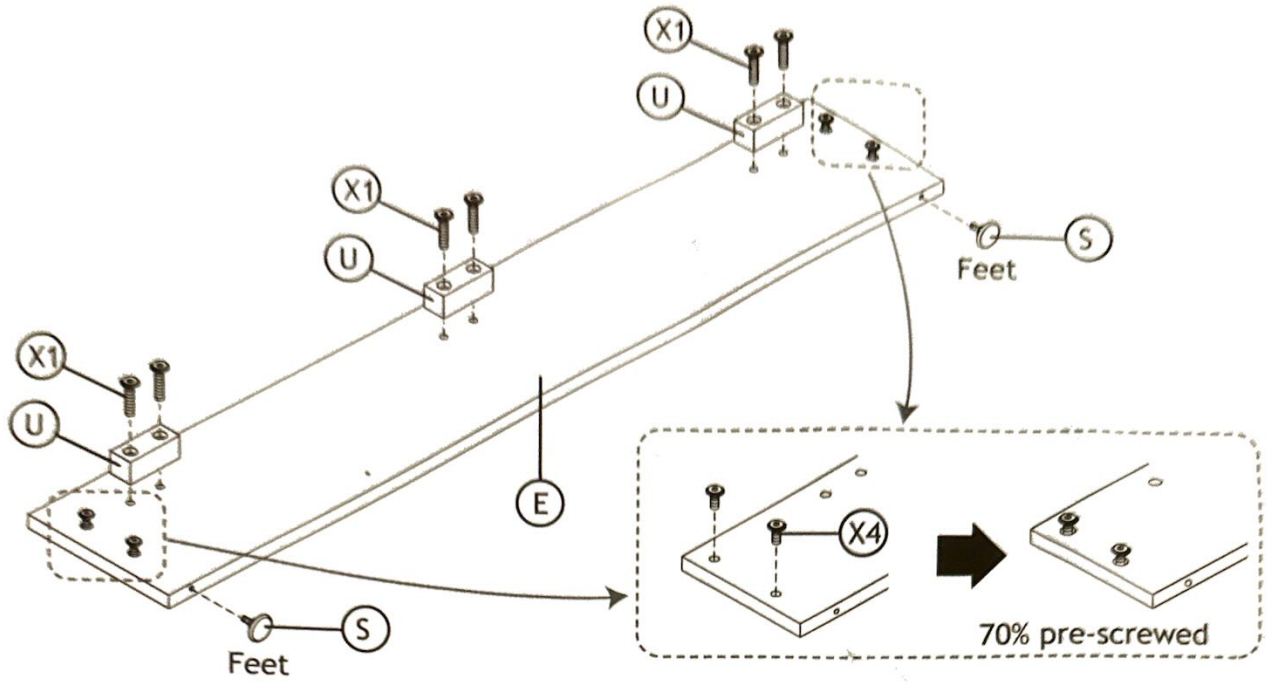
NOTE: Please do not completely tighten all the hardware until the entire assembly is completed! Be sure to tighten all the hardware once the assembly completed.

1

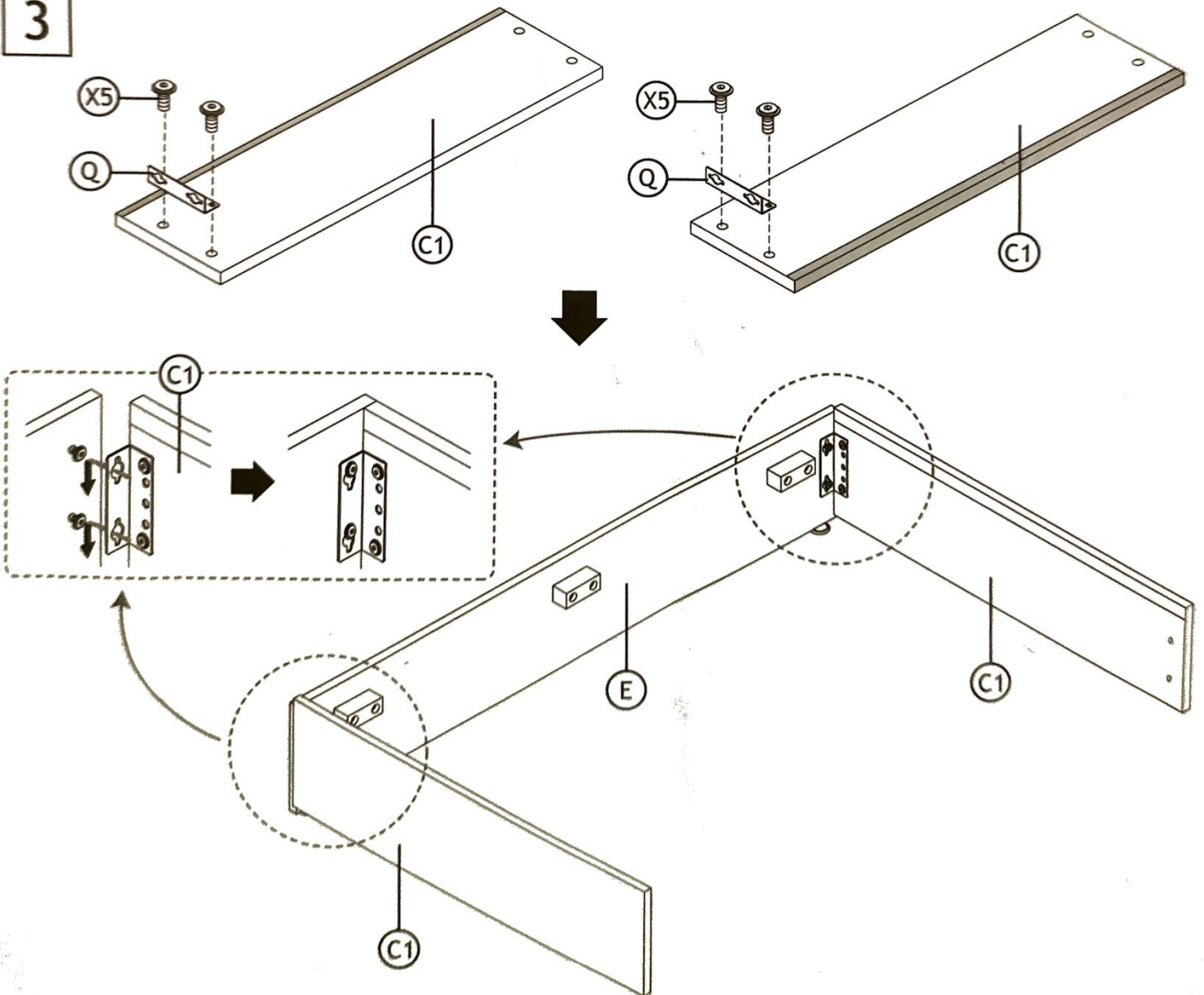
NOTE: Please **DO NOT** tighten screws X5 on L-shape accessories and screws X4 on part K completely on this step.



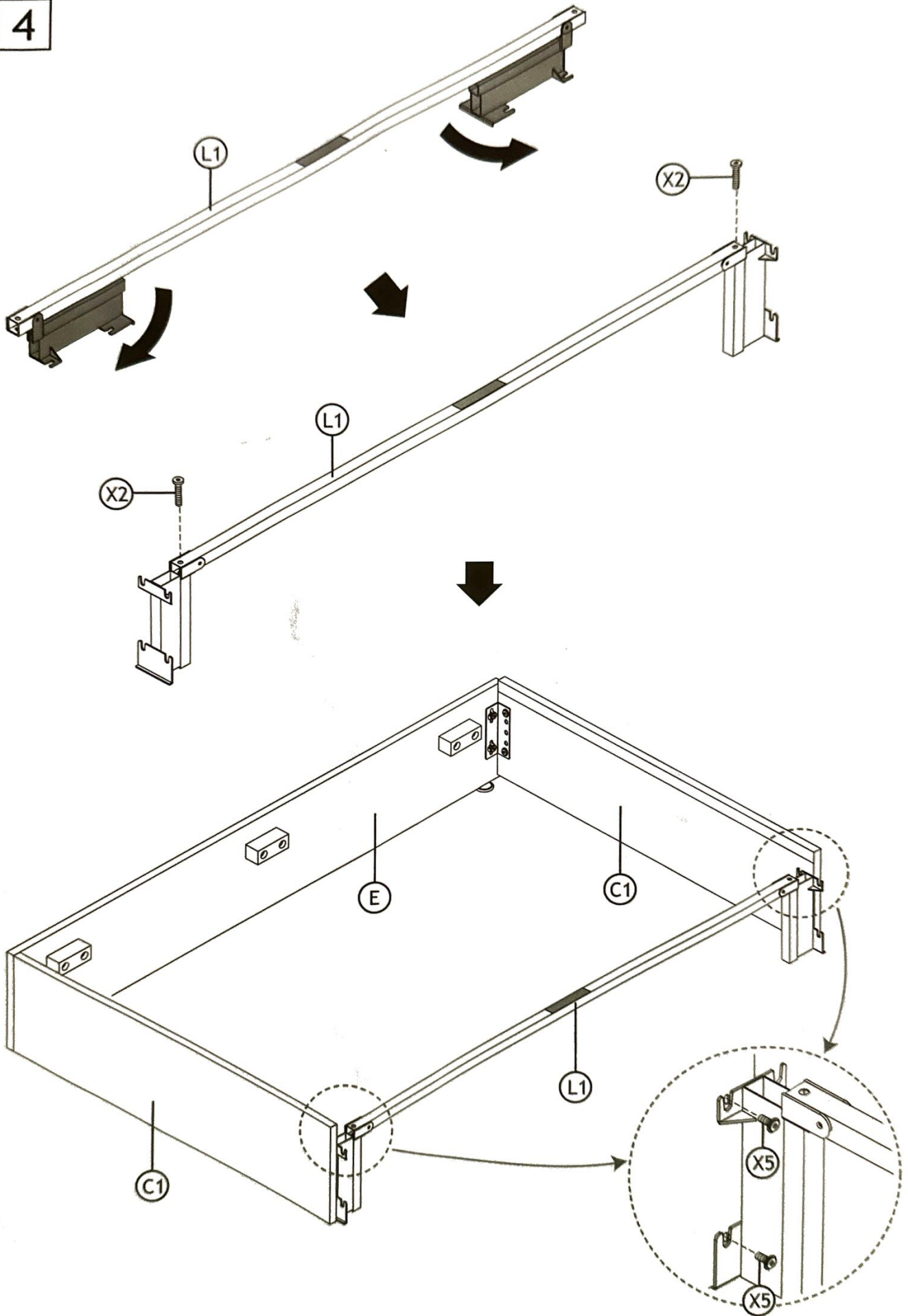
2



3

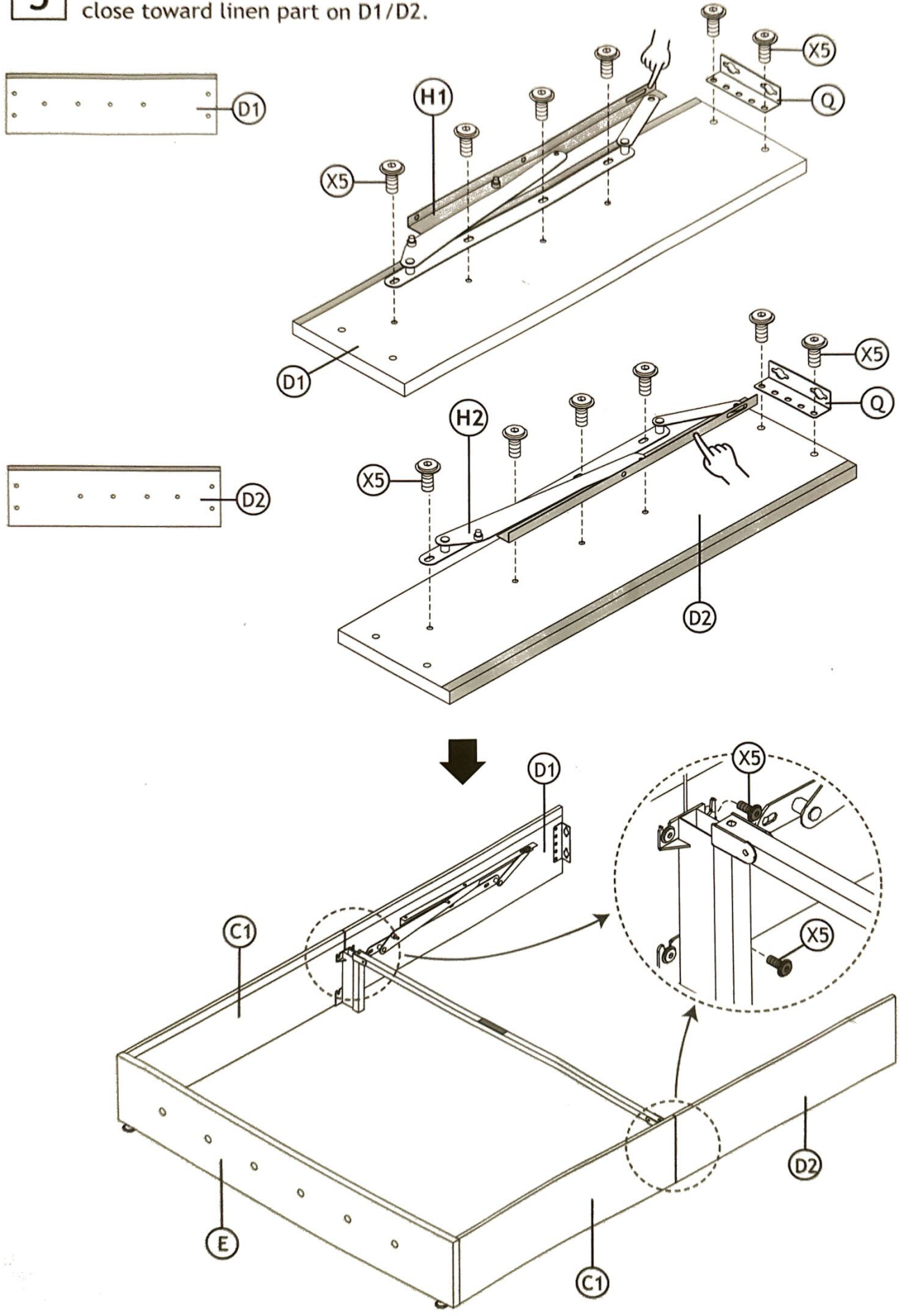


4

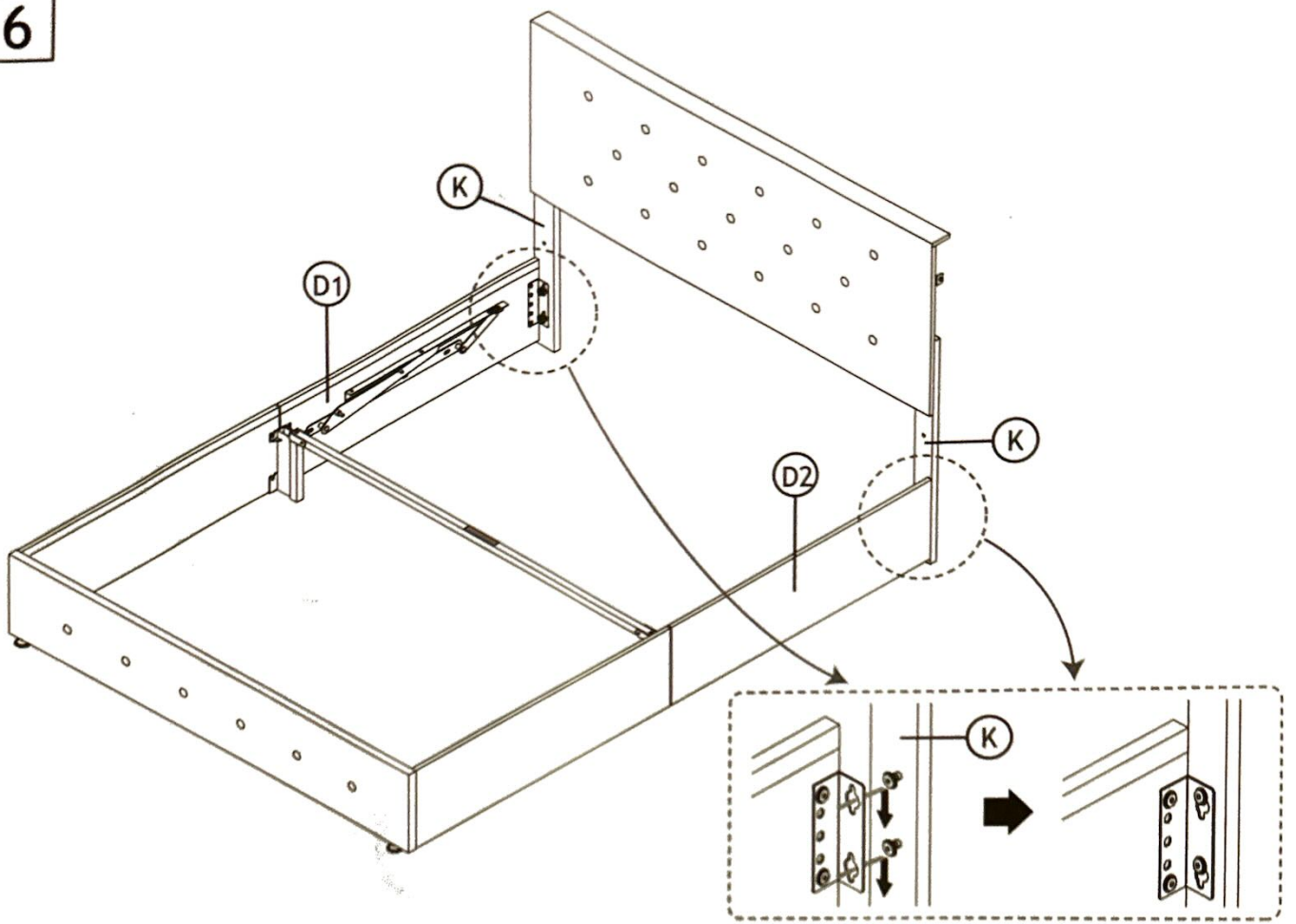


5

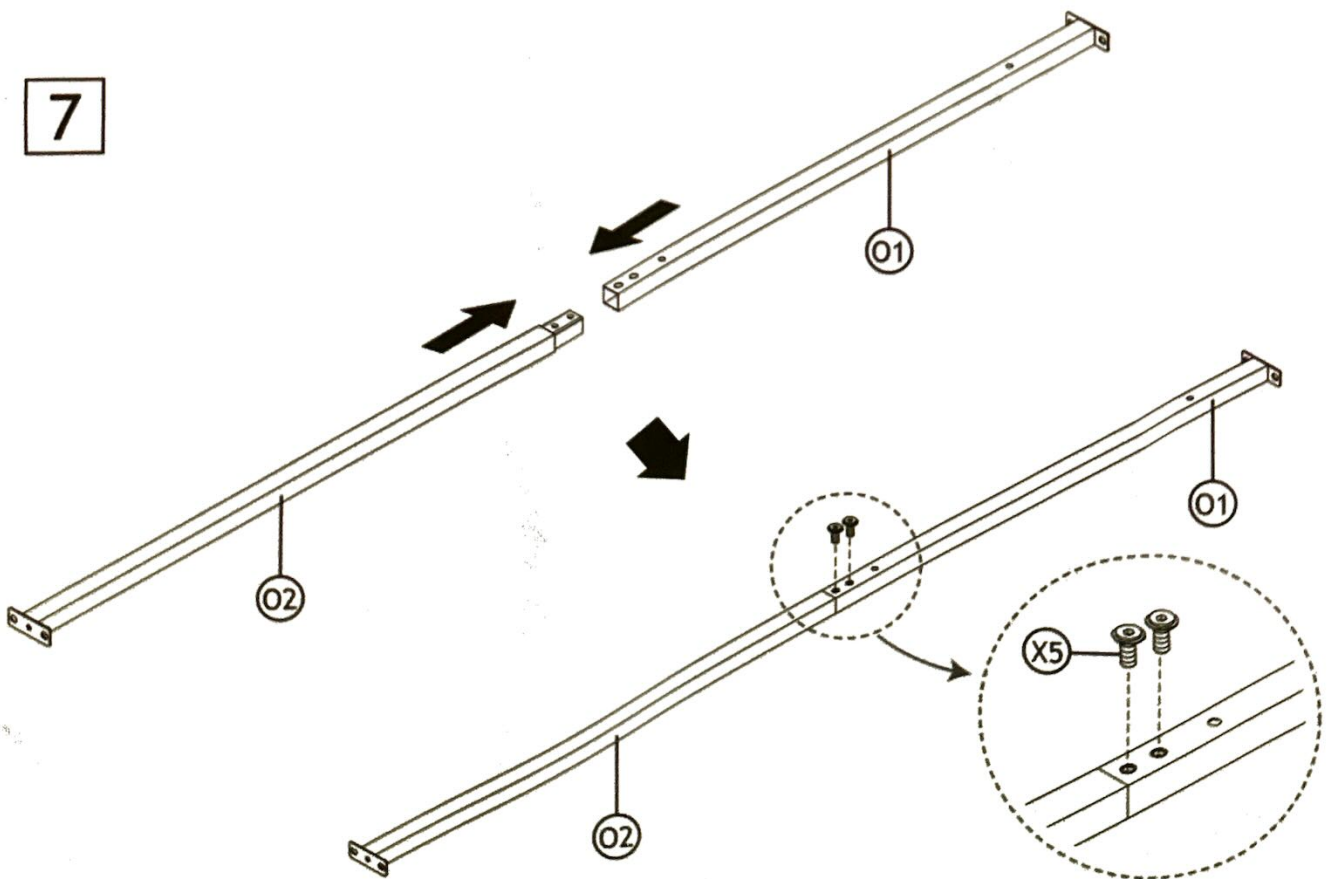
NOTE: Please make sure L-shape parts on H1/H2 close toward linen part on D1/D2.



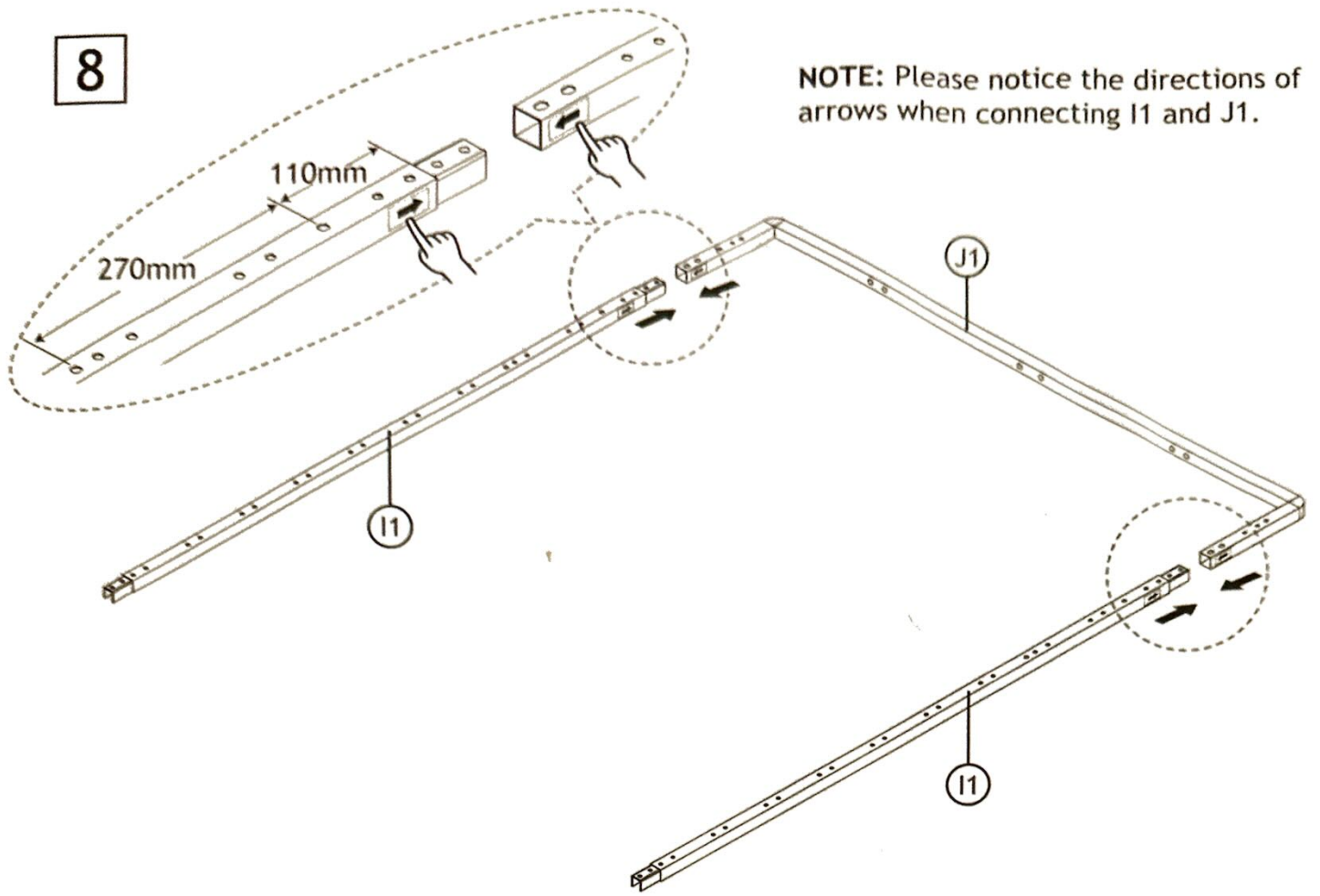
6



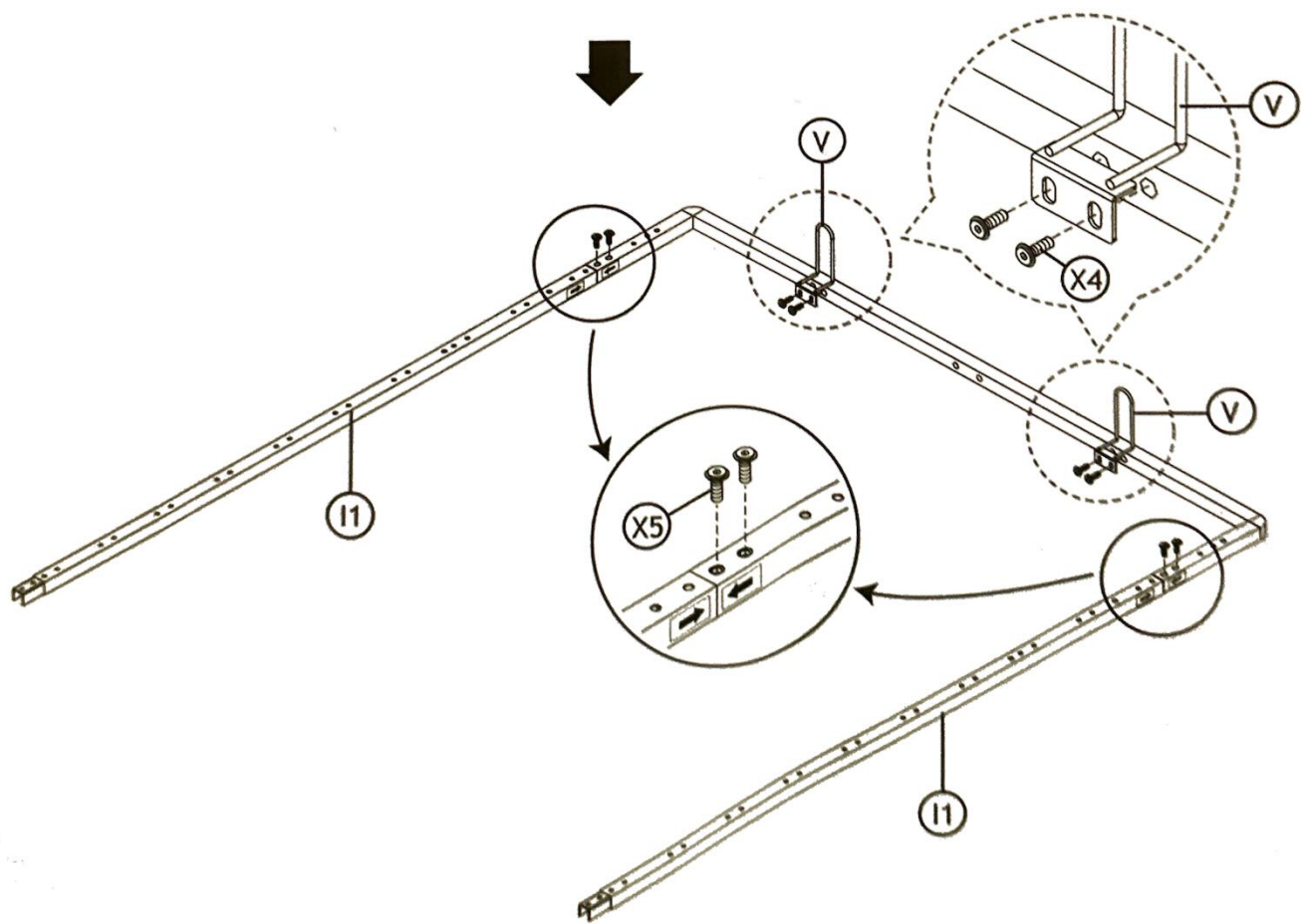
7



8

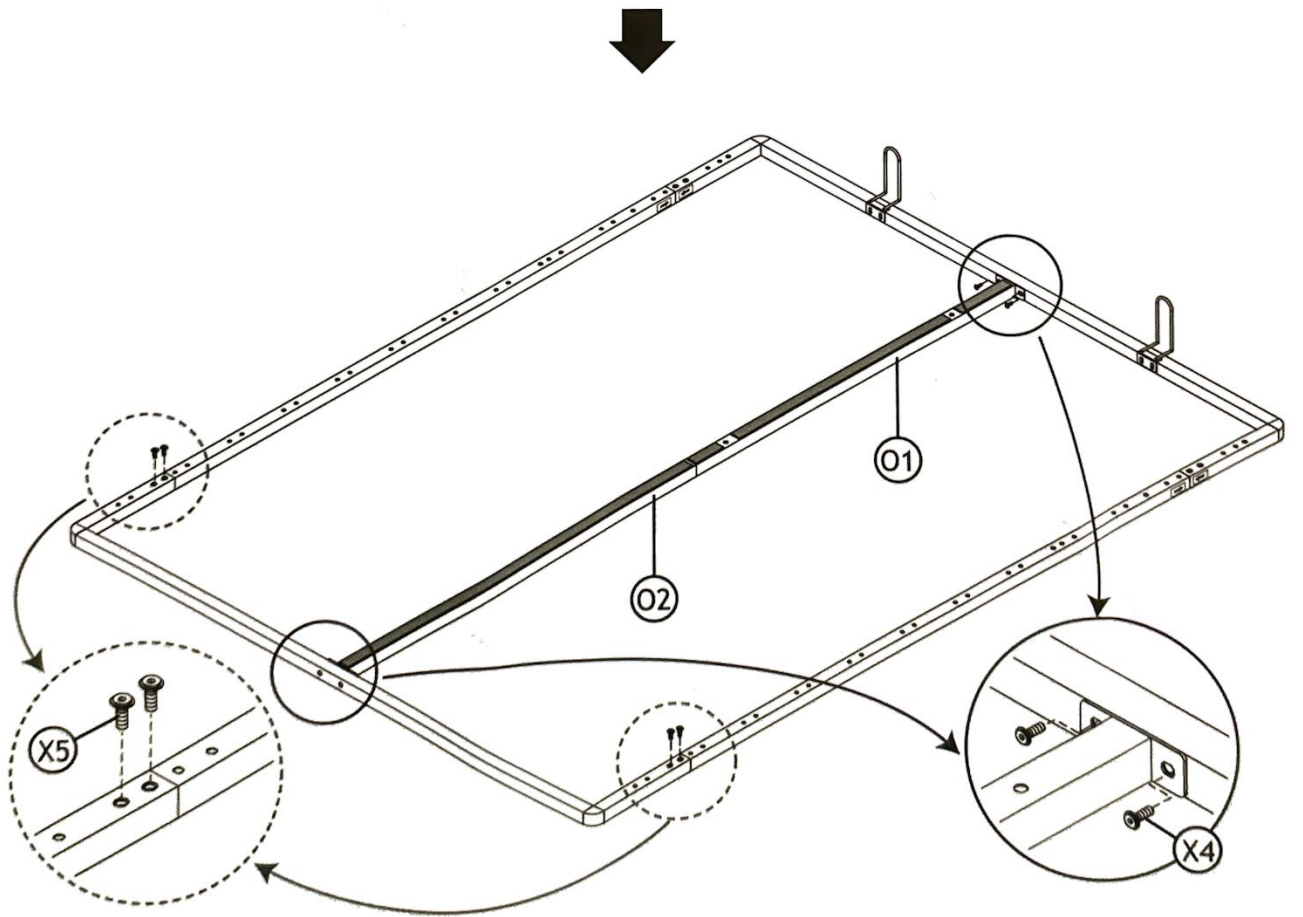
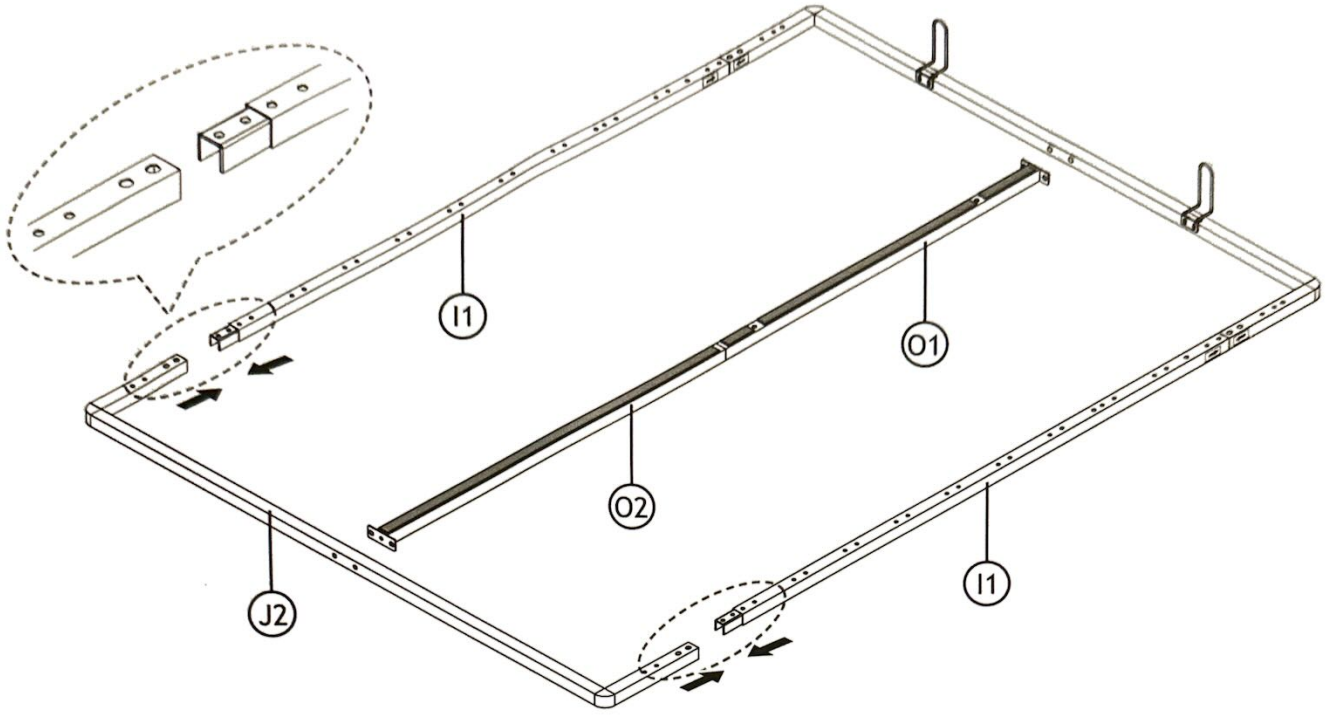


NOTE: Please notice the directions of arrows when connecting I1 and J1.



9

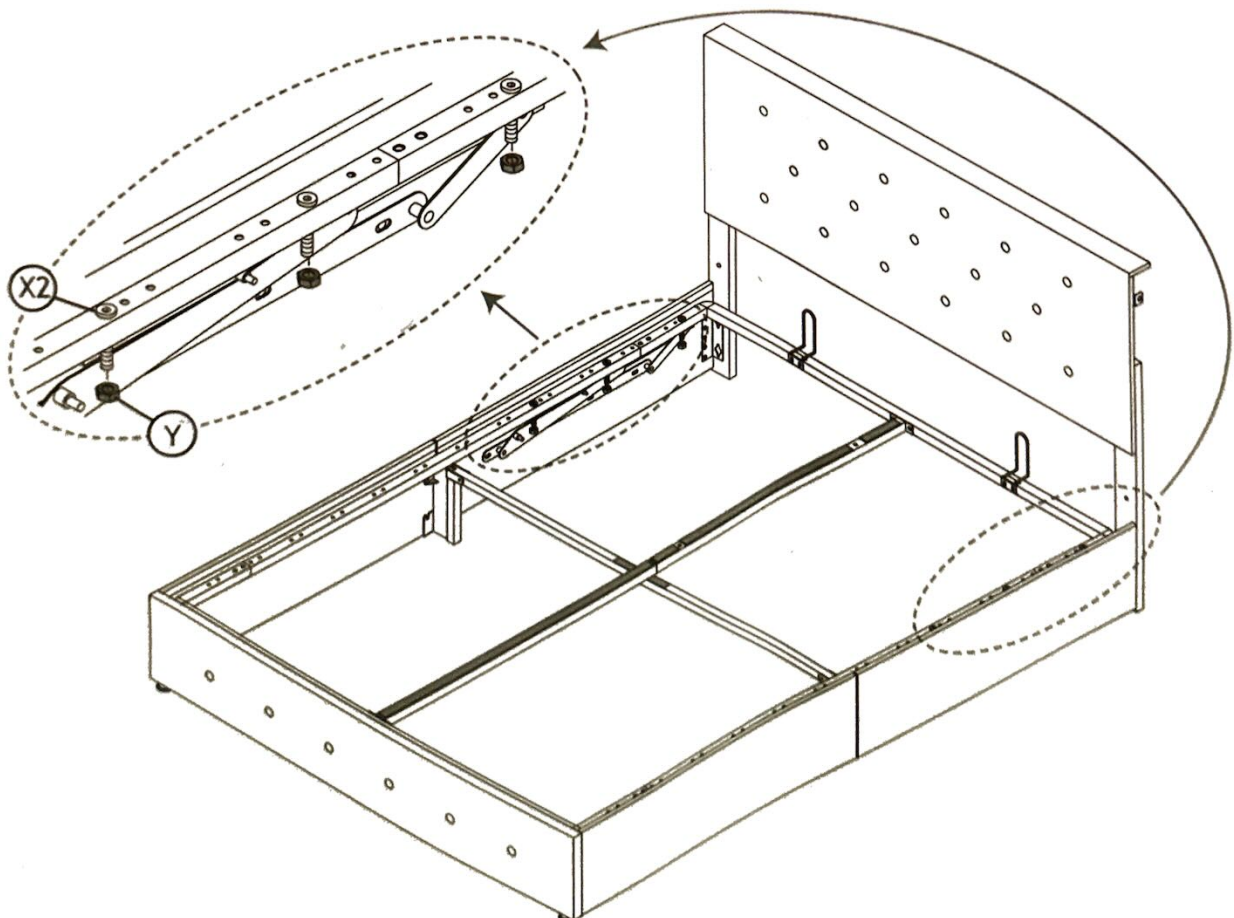
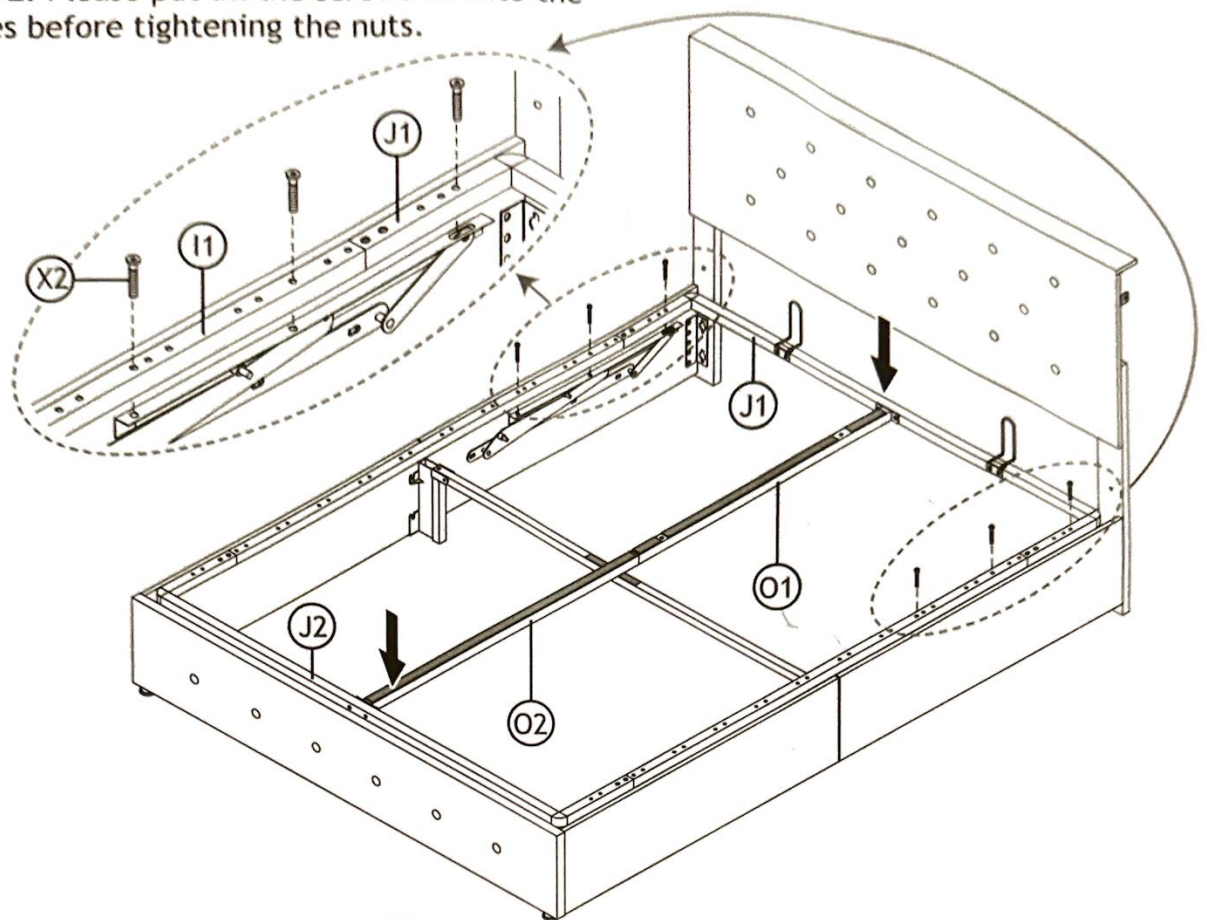
9



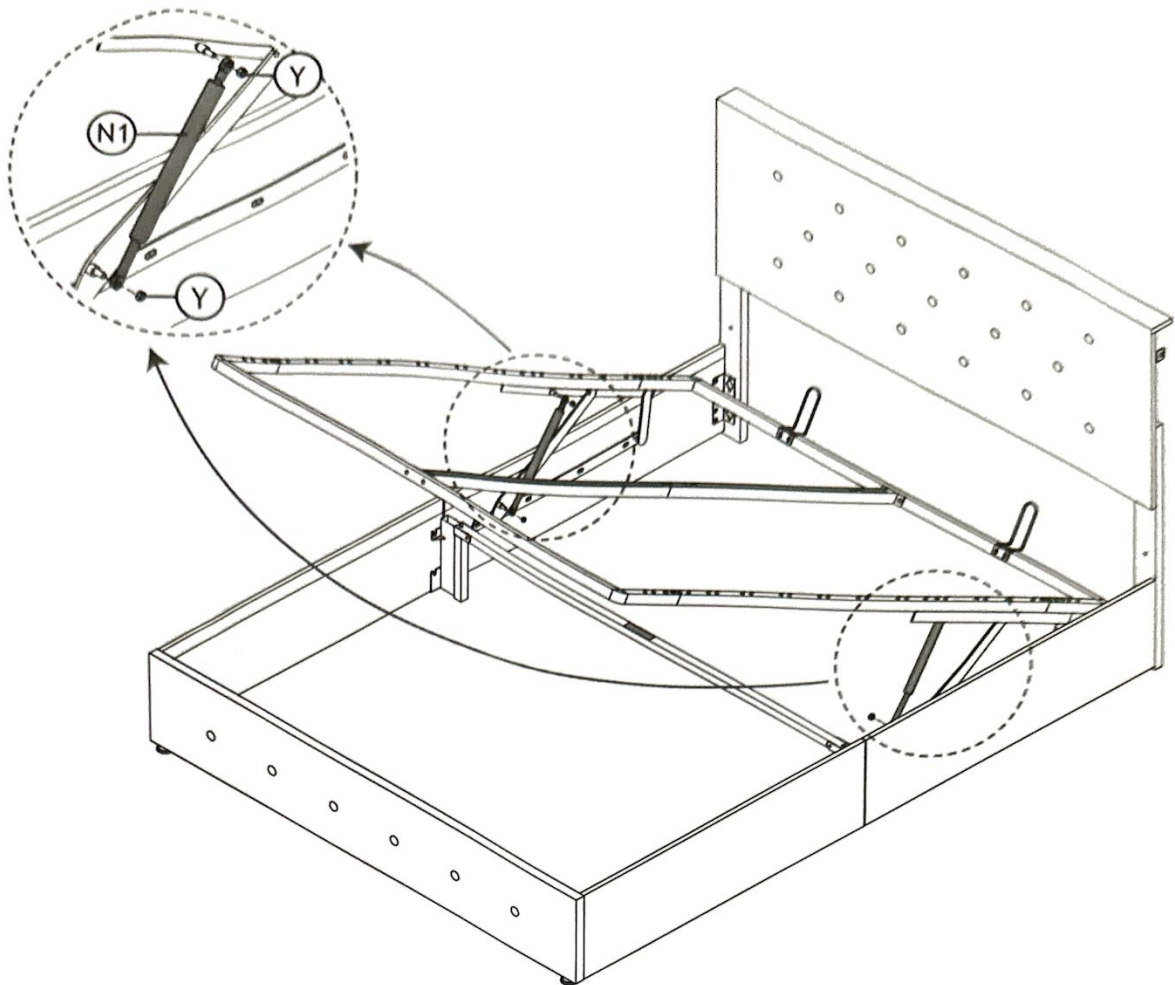
10

10

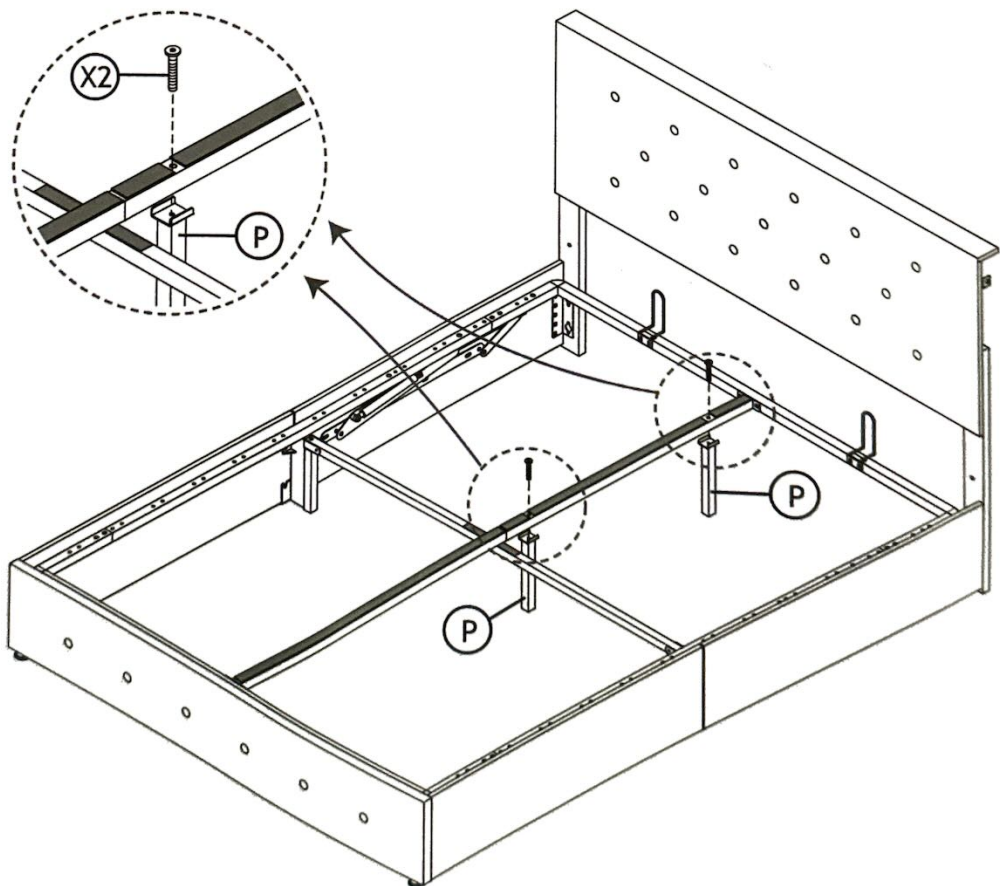
NOTE: Please put all the screws X2 into the holes before tightening the nuts.



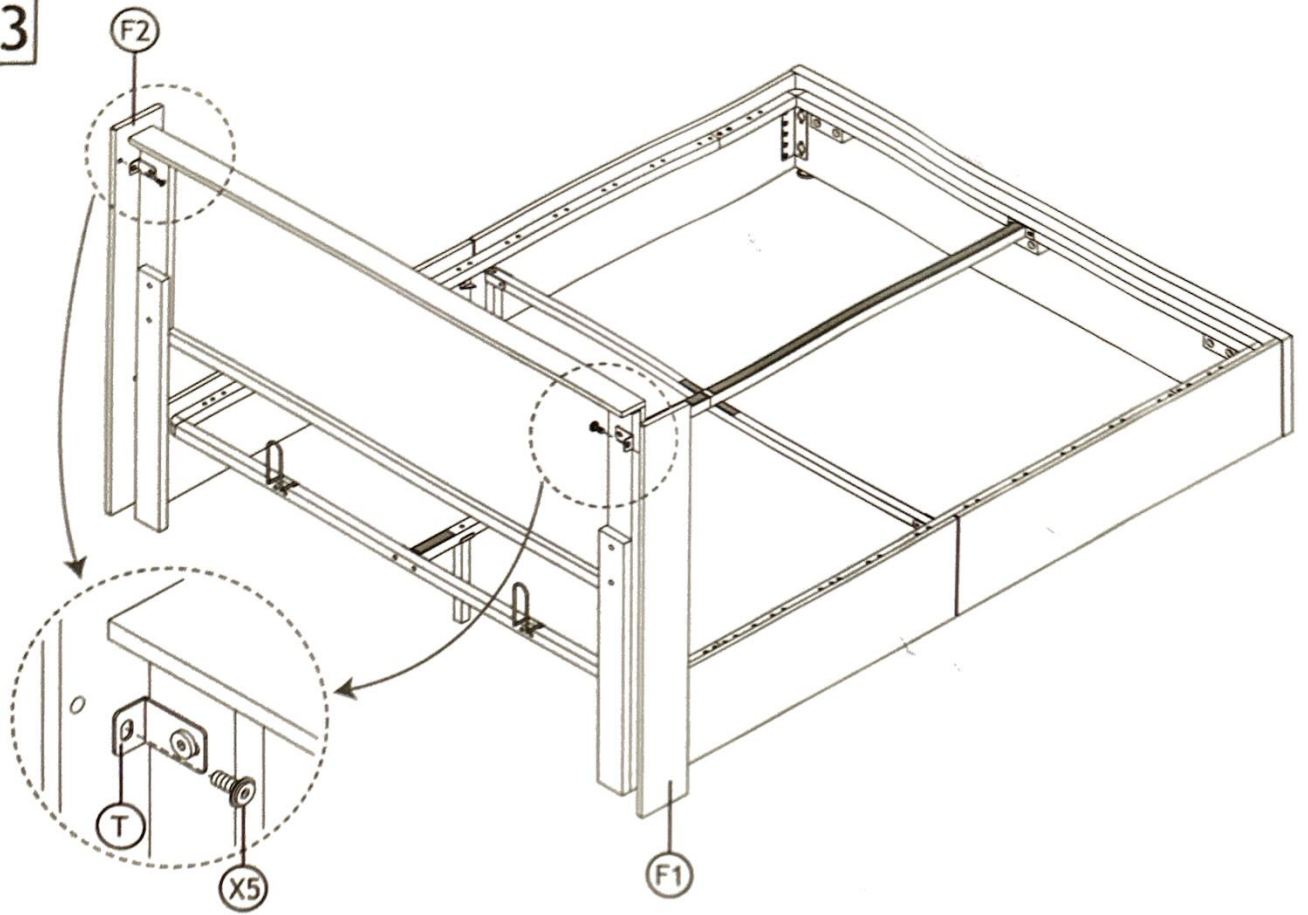
11



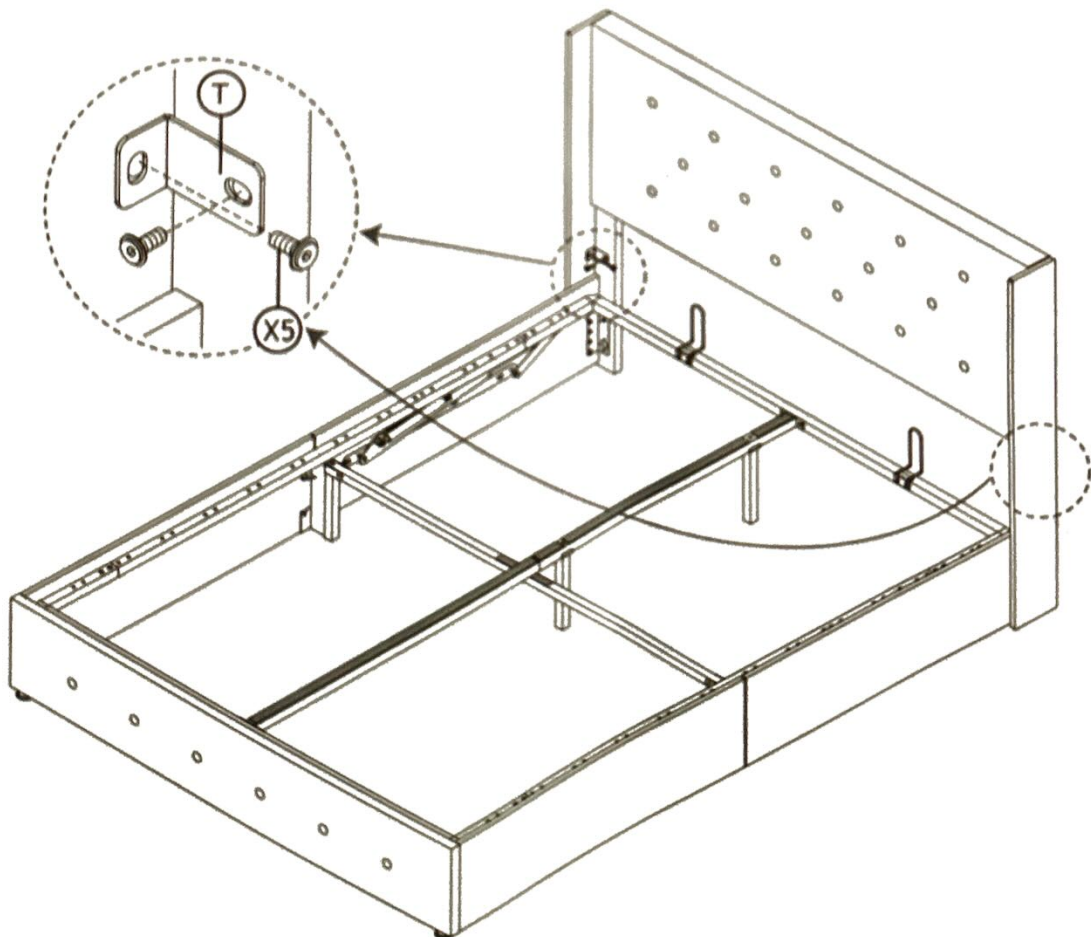
12



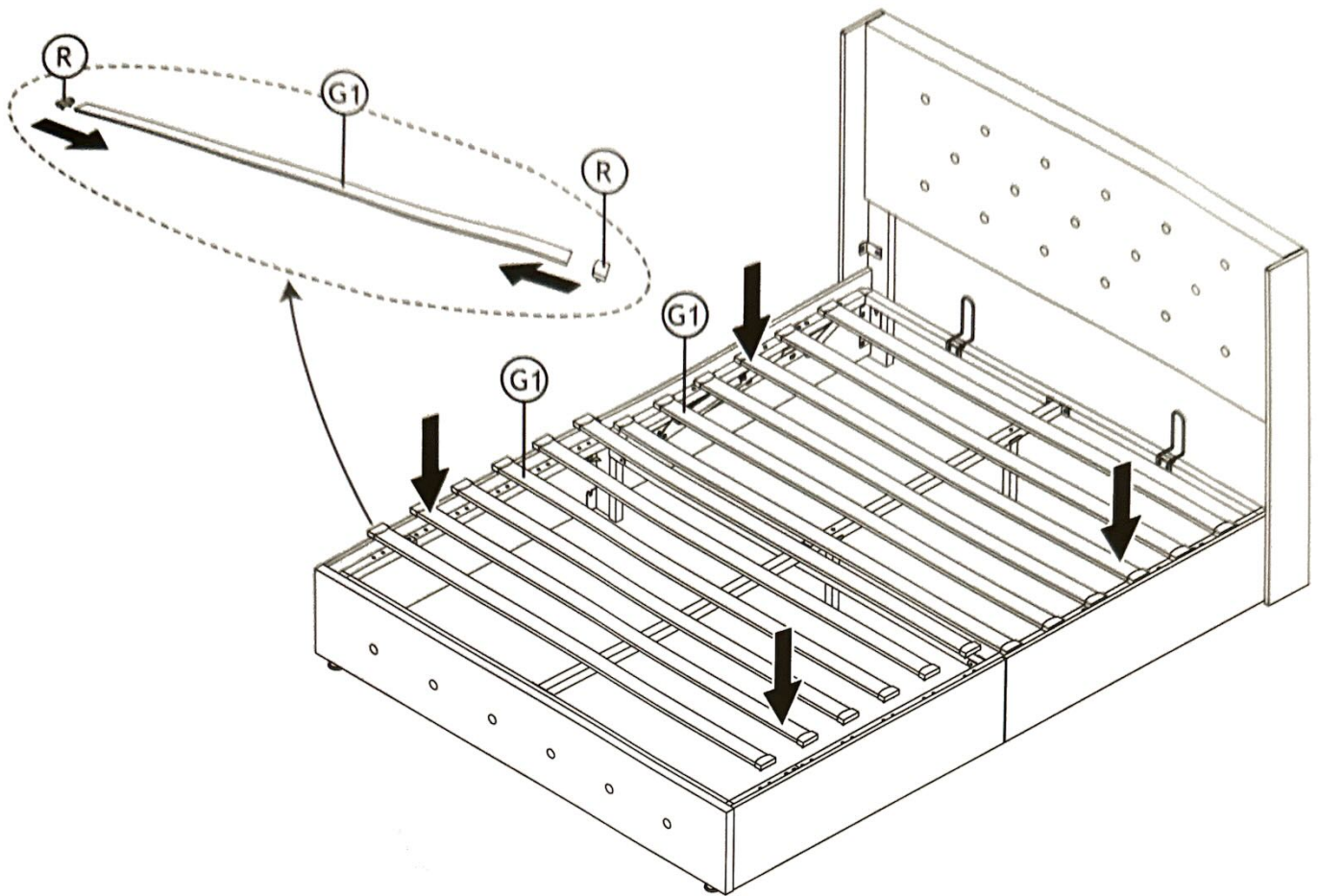
13



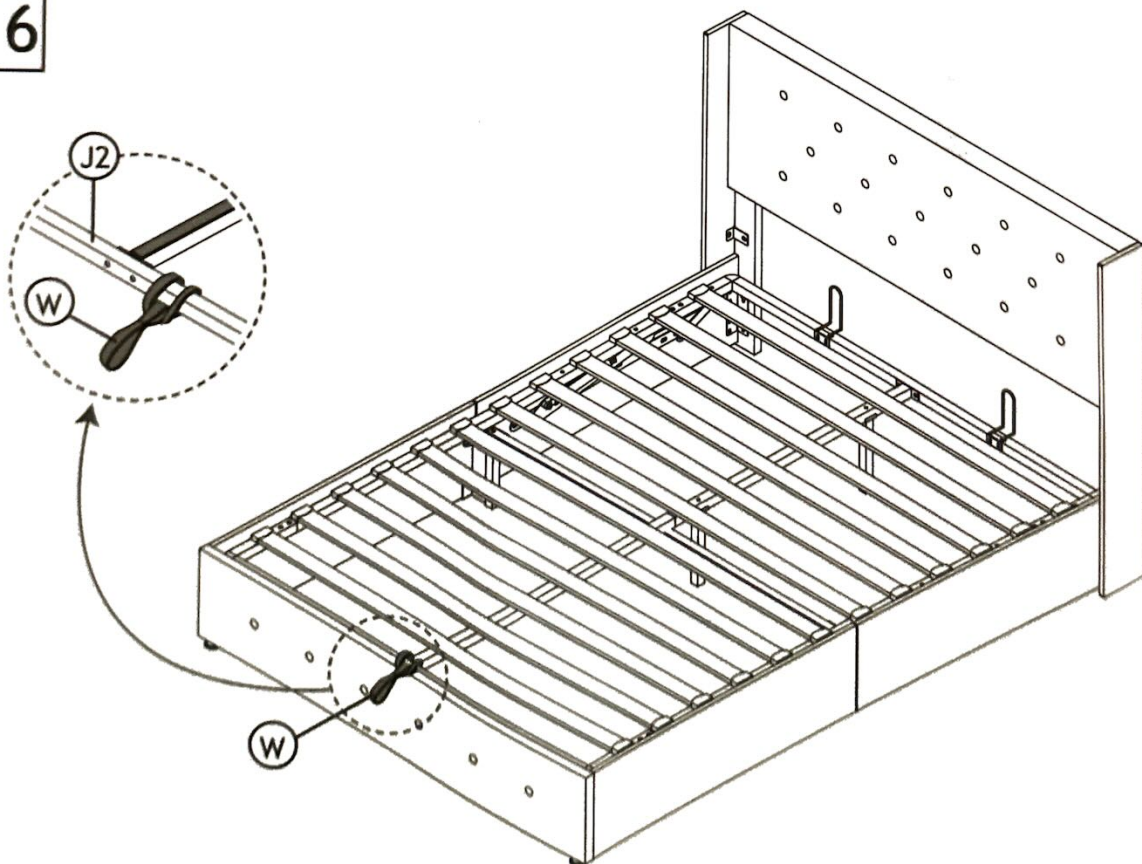
14



15



16



Made in china