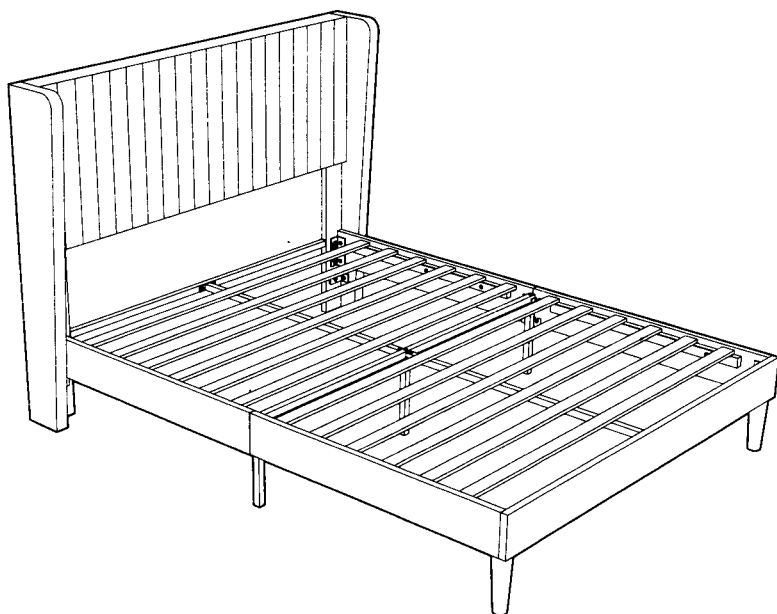


Platform Bed

LE6017-1F/LE6017-1Q

ORIGINAL INSTRUCTION MANUAL

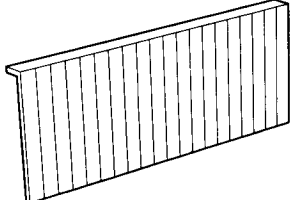
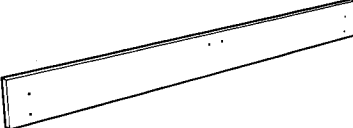
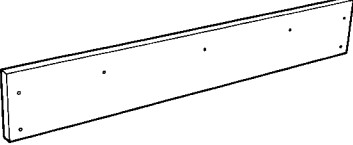
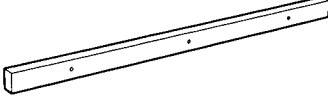
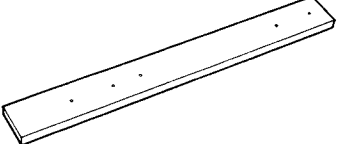
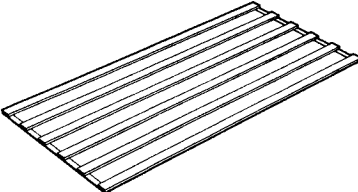
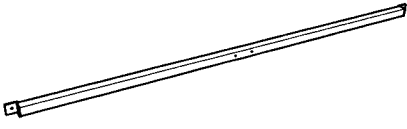

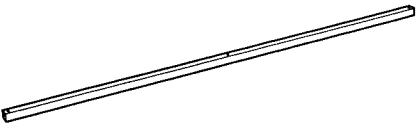



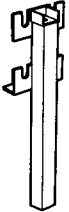

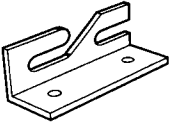
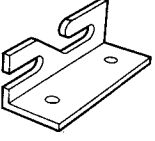
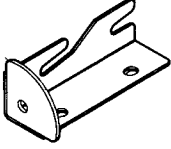
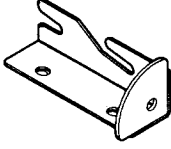
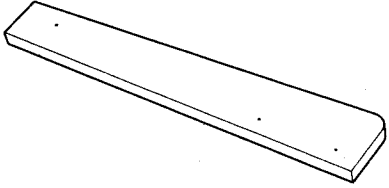
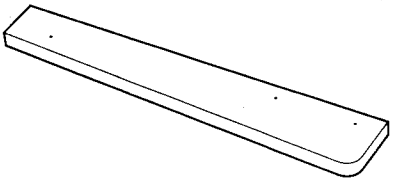
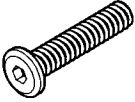
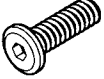
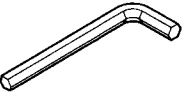


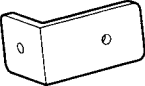
DEAR CUSTOMER,

Thank you for choosing our product. Please read this manual carefully before assembling or using the product, to avoid damage caused by improper use. If the product is passed on to third parties, this manual has to be passed on along with the product. For any question don't hesitate to contact us.



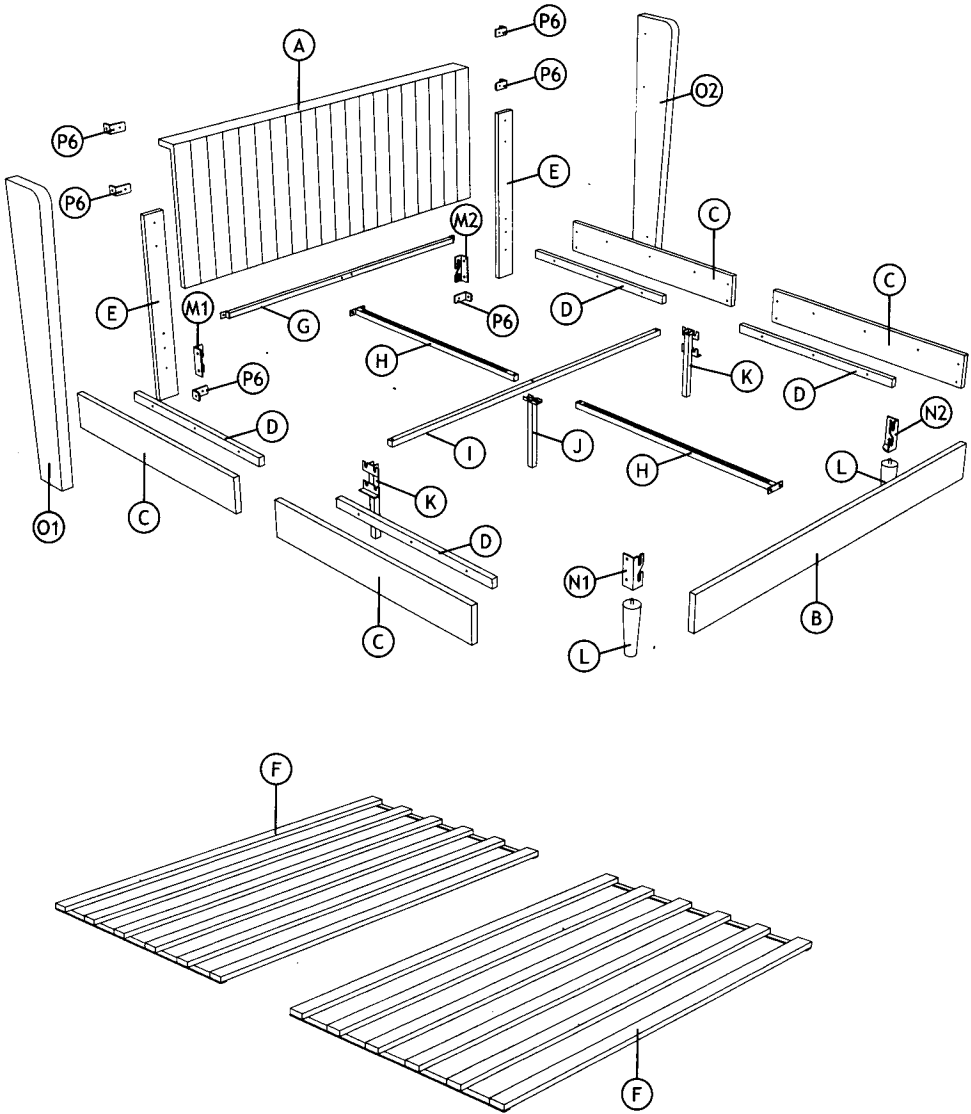
PARTS LIST

A  1x	B  1x
C  4x	D  4x
E  2x	F  2x
G  1x	H  2x
I  1x	J  1x

<p>K</p>  <p>2x</p>	<p>L</p>  <p>2x</p>	<p>M1</p>  <p>1x</p>
<p>M2</p>  <p>1x</p>	<p>N1</p>  <p>1x</p>	<p>N2</p>  <p>1x</p>
<p>O1</p>  <p>1x</p>	<p>O2</p>  <p>1x</p>	
<p>P1</p>  <p>M8x40</p>	<p>P2</p>  <p>M8x18</p>	<p>P3</p>  <p>M8 Spanner</p>
<p>P4</p>  <p>2x</p>	<p>P5</p>  <p>M8x16</p>	<p>P6</p>  <p>6x</p>



EXPLODED VIEW

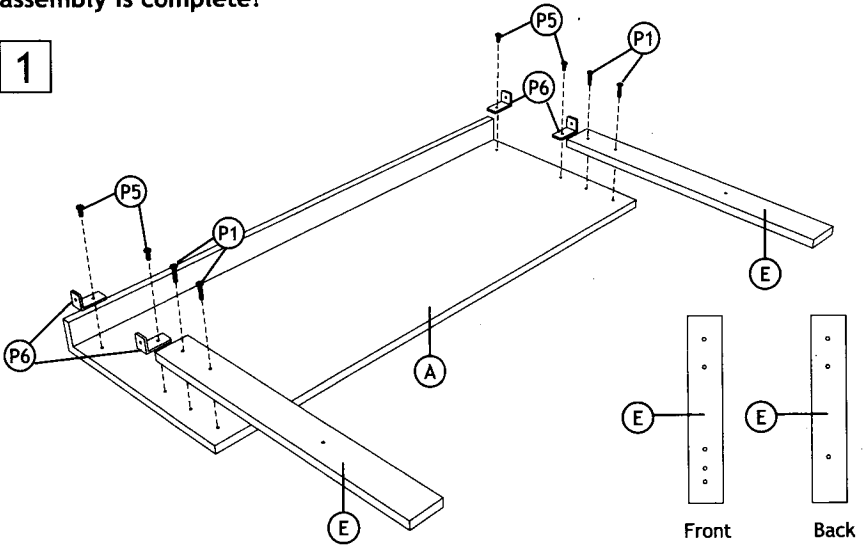


ASSEMBLY

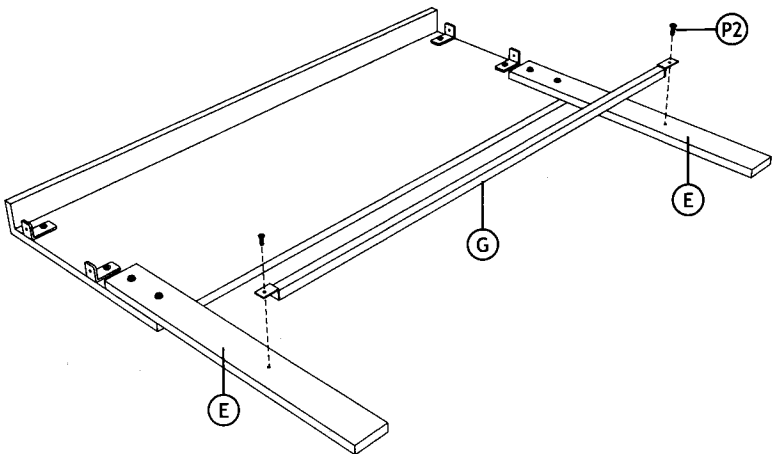
Please check that you have all the parts listed before you start assembling, if you do find that something is missing, do not continue assembly. Please contact us immediately.

NOTE: Please do not completely tighten all the hardware until the entire assembly is complete!

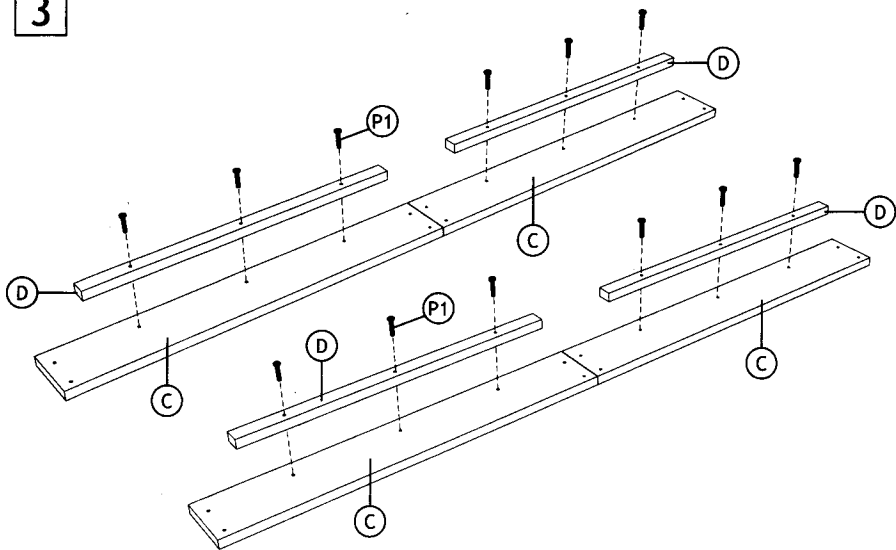
1



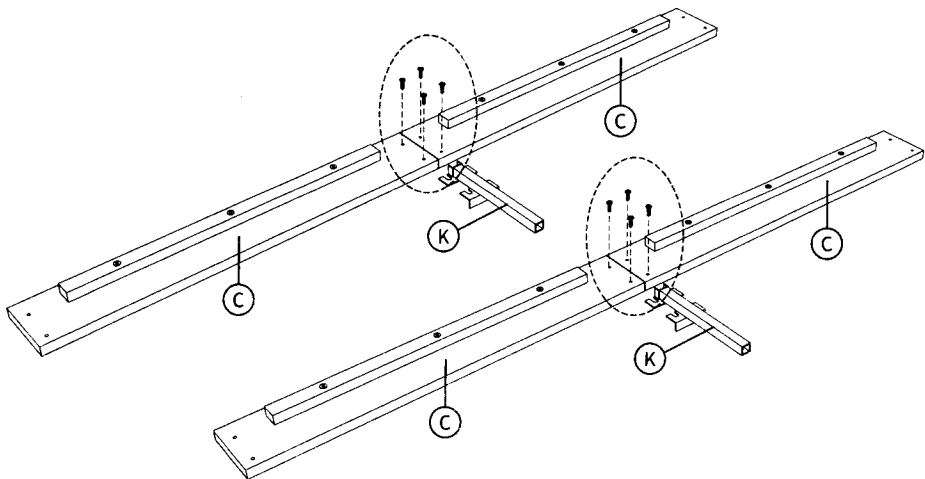
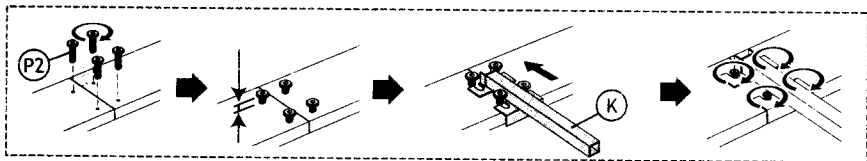
2



3

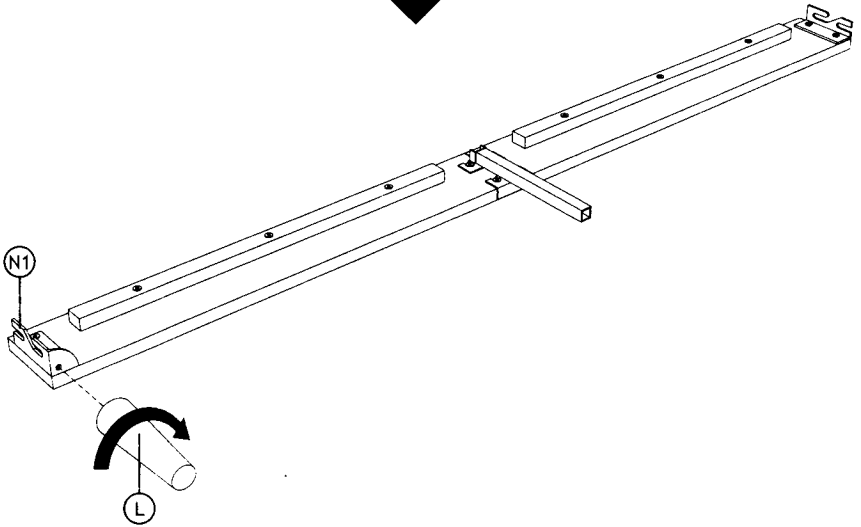
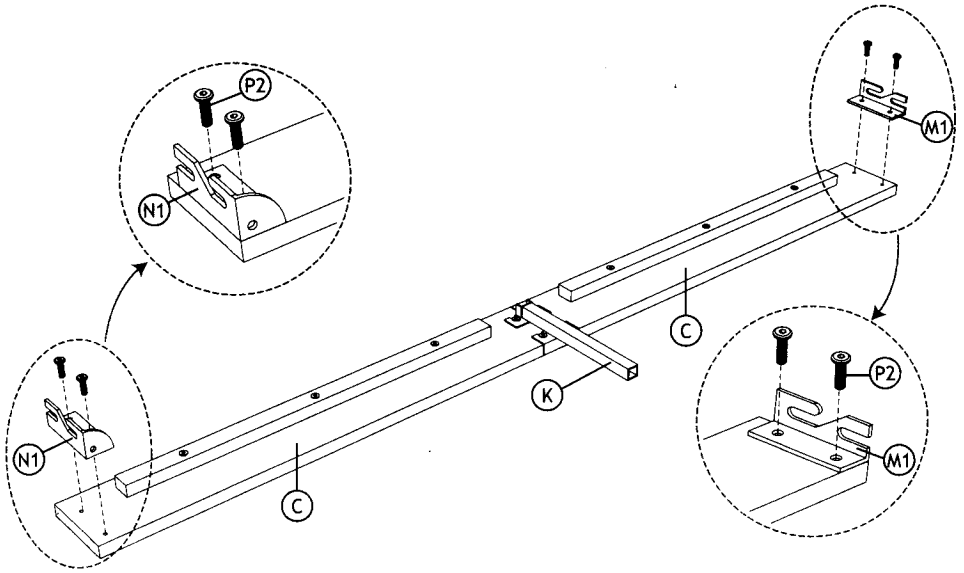


4

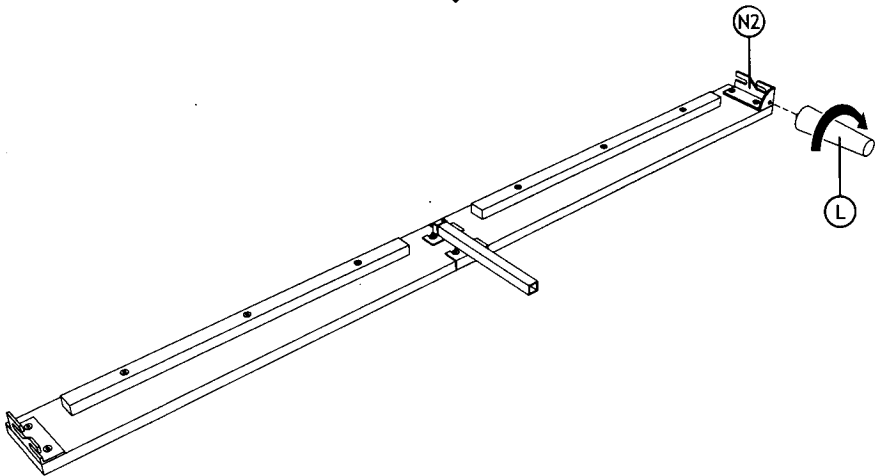
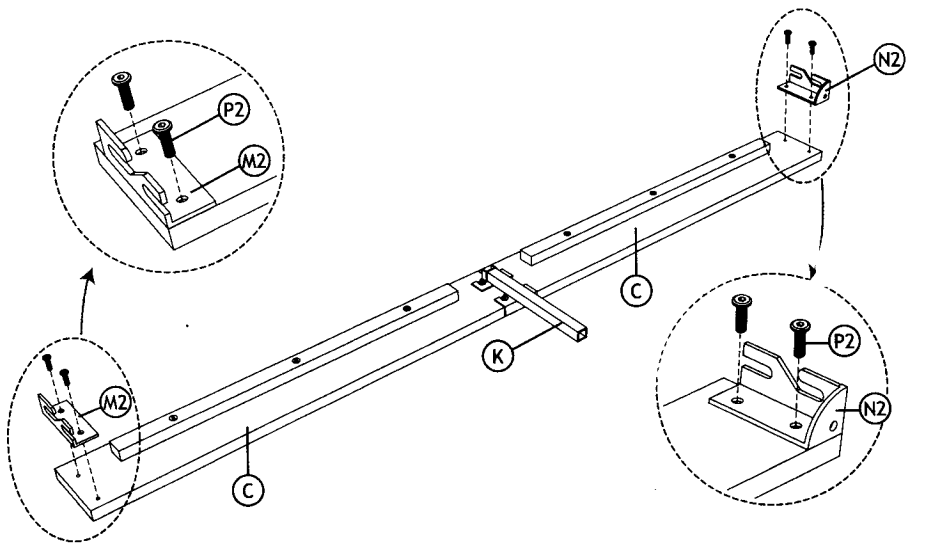


5

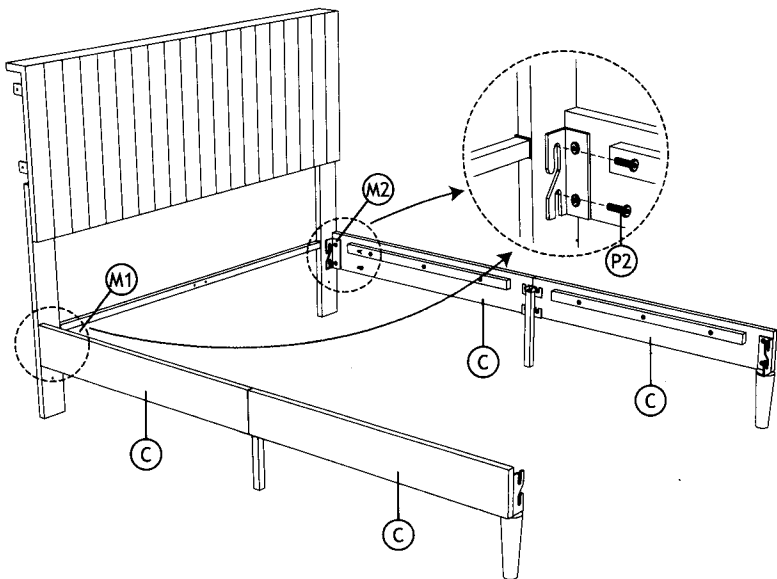
Left



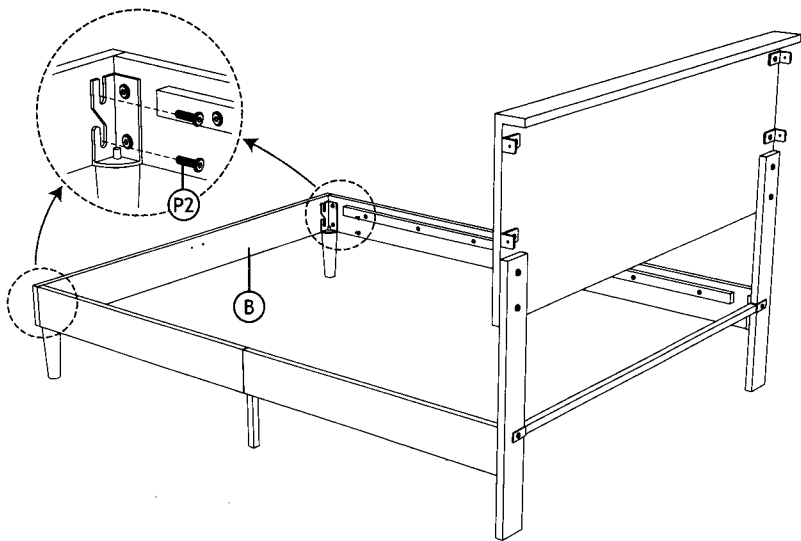
6 Right



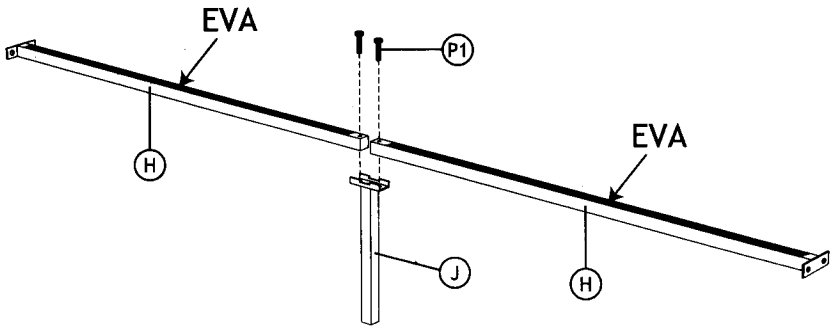
7



8

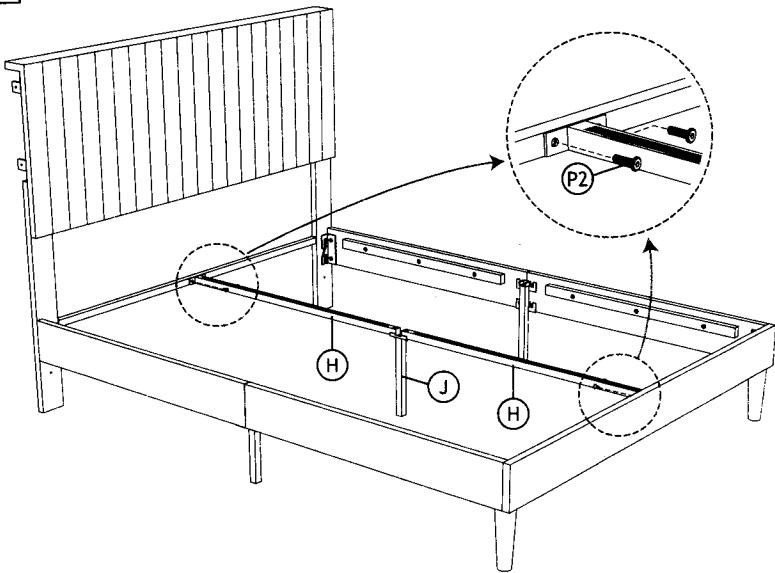


9

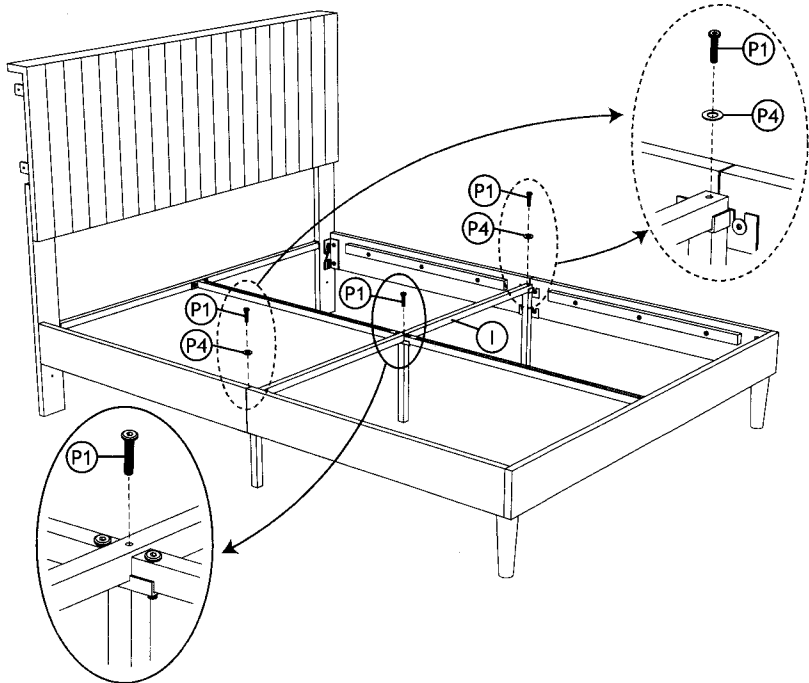


Please note that the side with EVA is upward during installation.

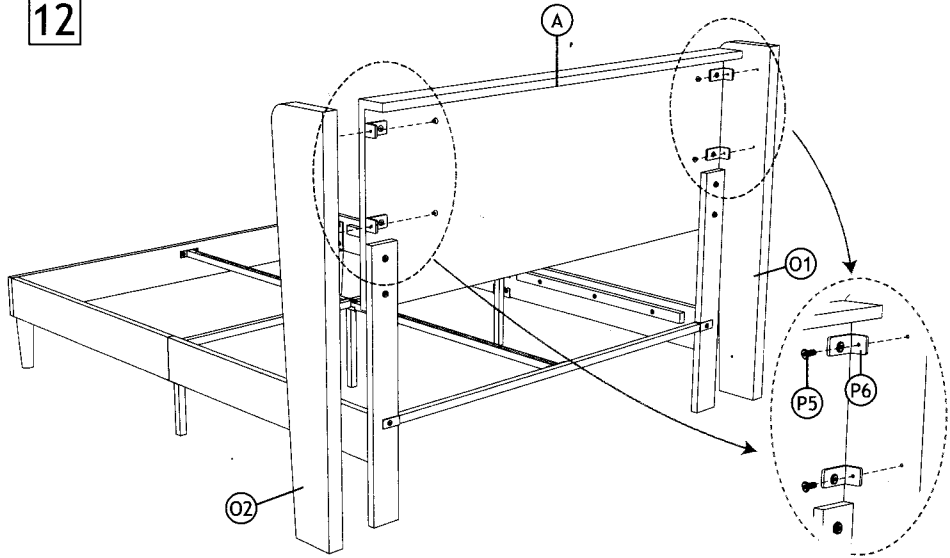
10



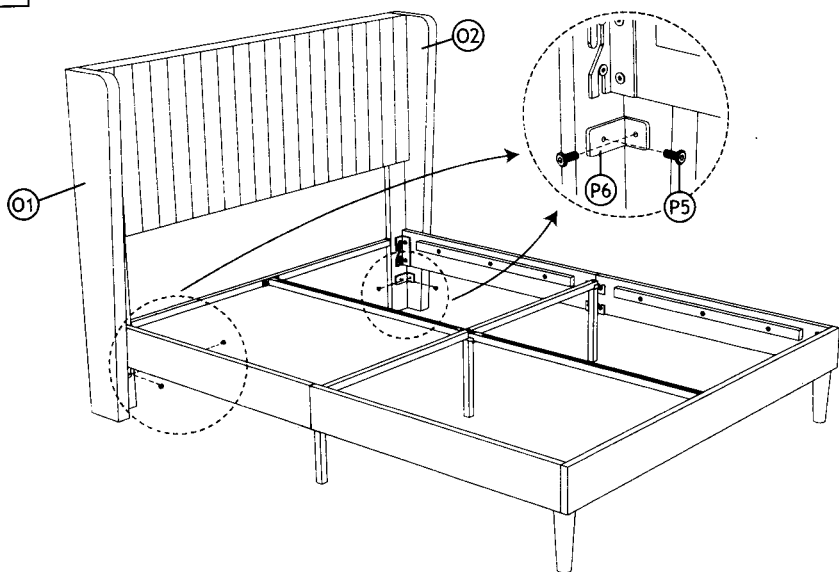
11



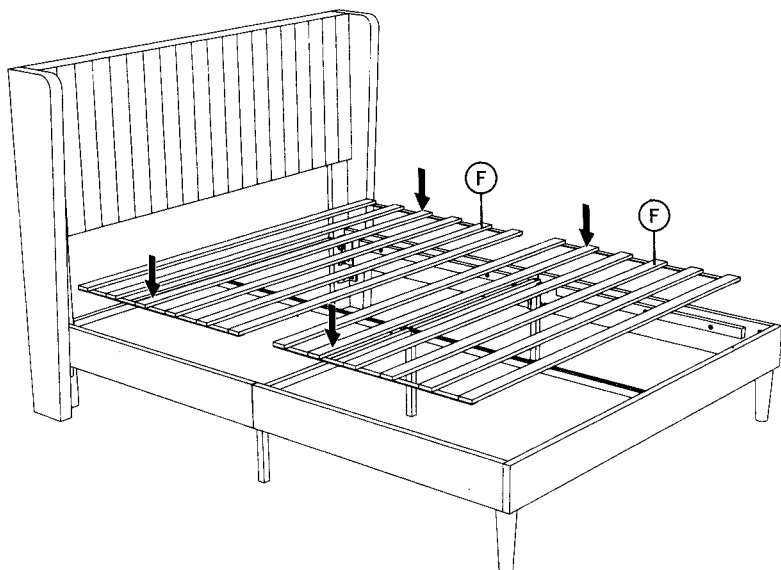
12



13



14



Made in china