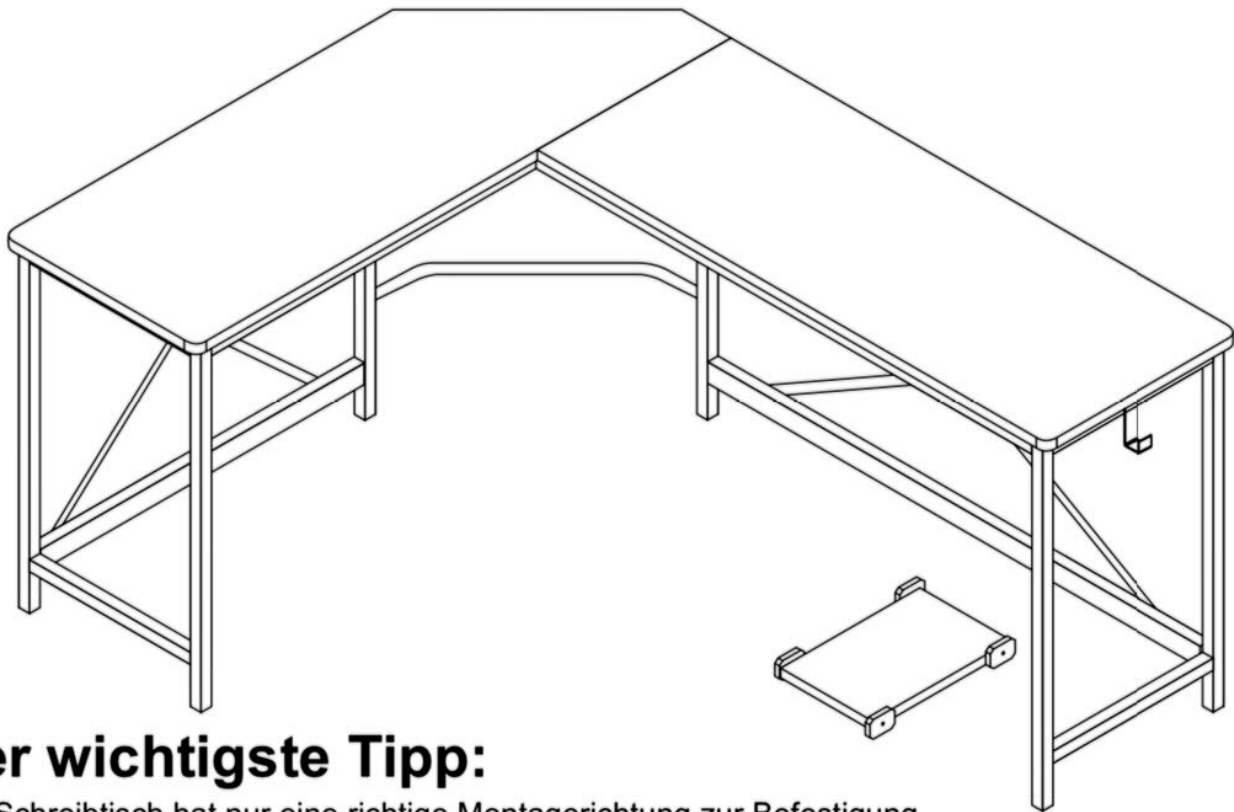


MONTAGEANLEITUNG



Der wichtigste Tipp:

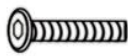
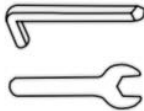
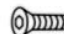



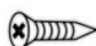
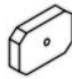
Der Schreibtisch hat nur eine richtige Montagerichtung zur Befestigung.

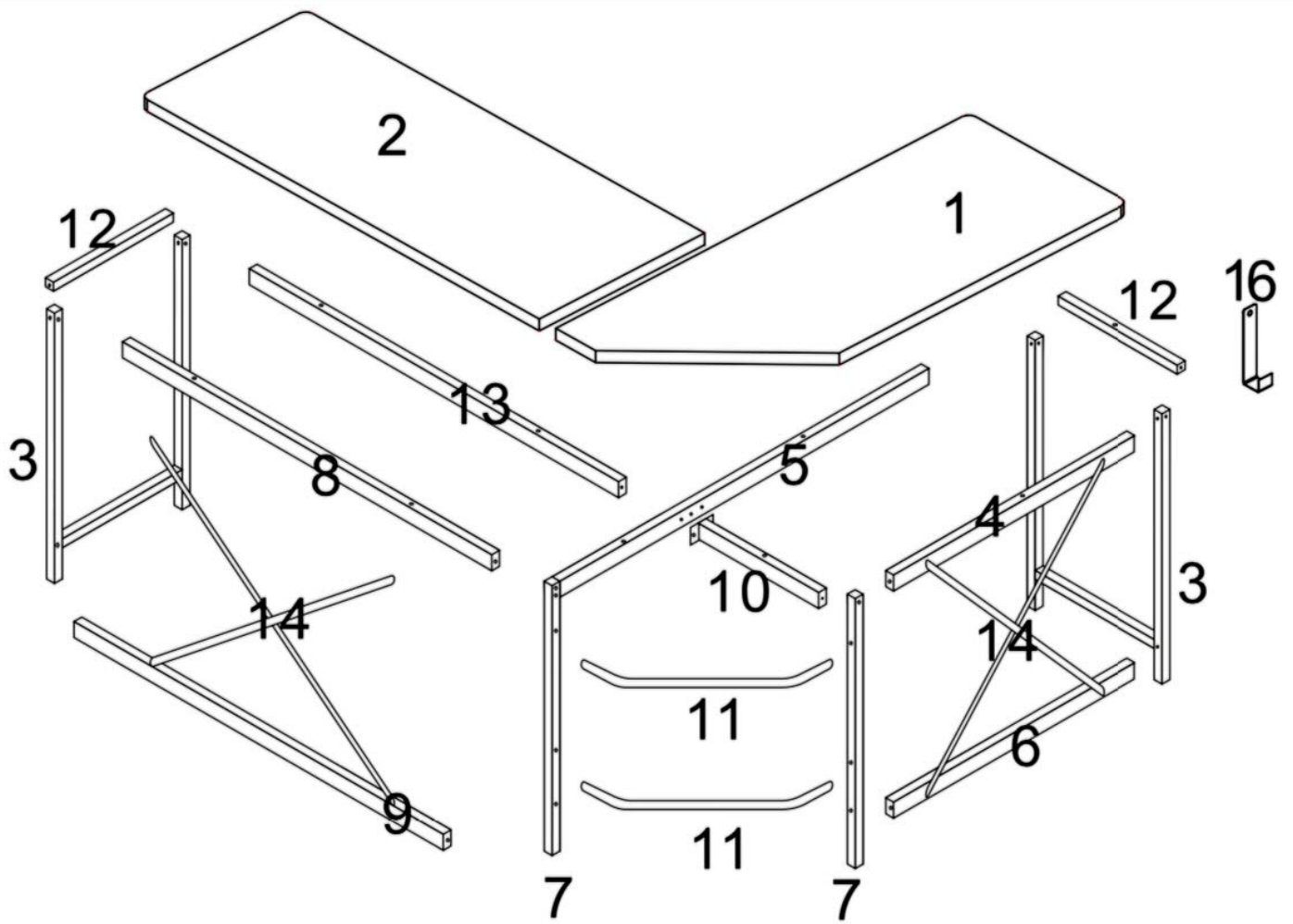
Stellen Sie sicher, dass Sie in der Anleitung angegebenen Richtung zusammenbauen, um ein erneutes Zusammenbauen zu vermeiden.


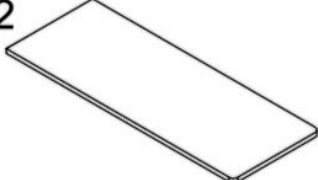


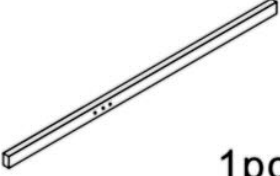
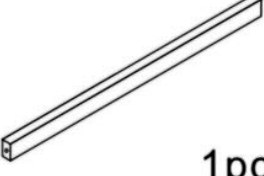

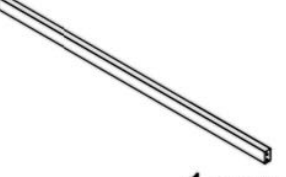






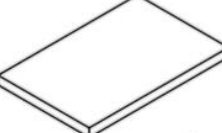

The most important tip:

The desk has only one correct mounting direction for fixing.

Make sure you follow the directions given in the instructions to assemble to avoid reassembly.

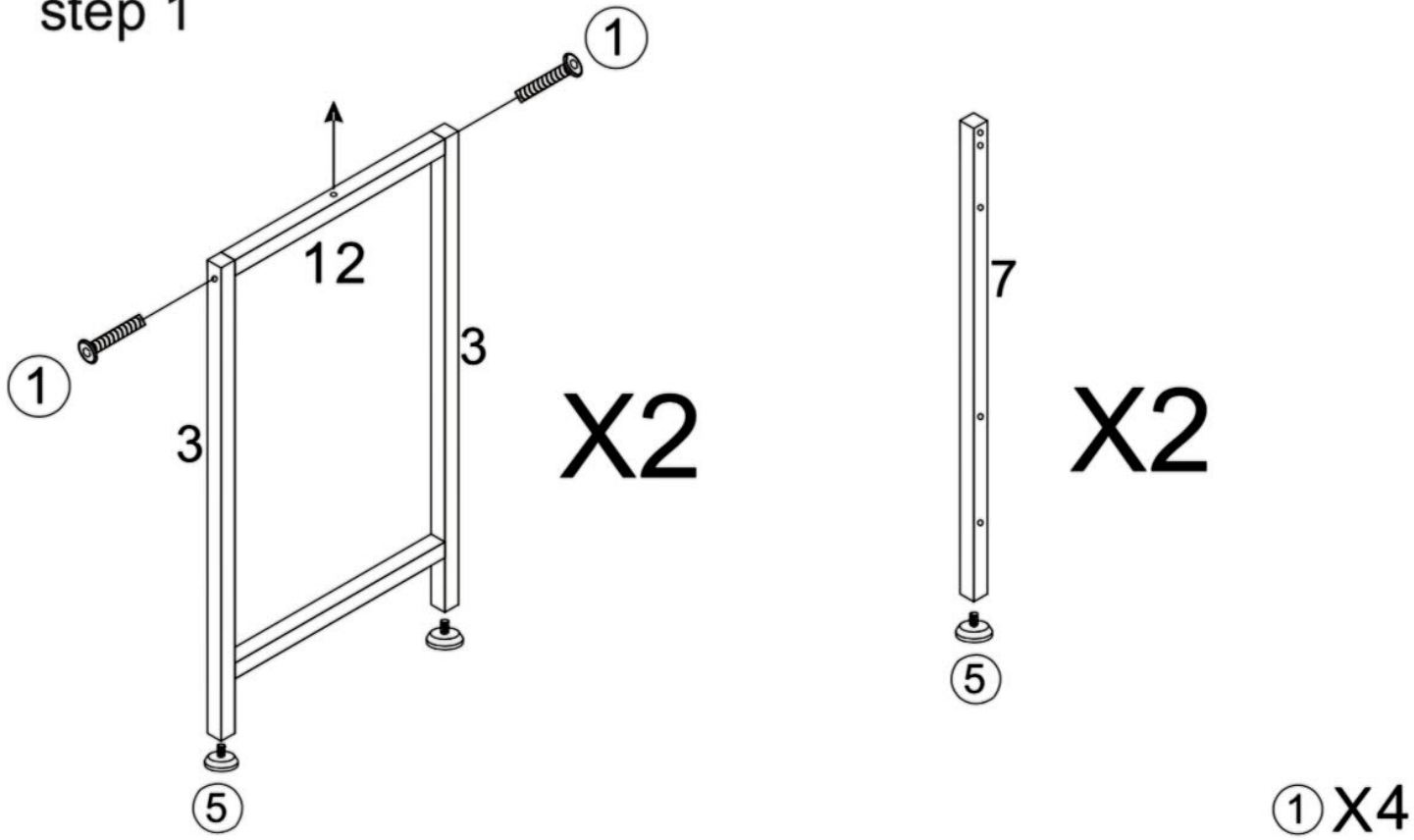
<p>①</p>  <p>M6x45 28pcs (extra 1pcs)</p>	<p>②</p>  <p>1pcs</p>	<p>③</p>  <p>M6x10 12pcs (extra 1pcs)</p>	<p>④</p>  <p>M6x50 11pcs (extra 1pcs)</p>
<p>⑤</p>  <p>6pcs</p>	<p>⑥</p>  <p>2pcs</p>	<p>⑦</p>  <p>4pcs</p>	<p>⑧</p>  <p>4pcs</p>



1  1pcs	2  1pcs	3  2pcs	4  1pcs
5  1pcs	6  1pcs	7  2pcs	8  1pcs
9  1pcs	10  1pcs	11  2pcs	12  2pcs
13  1pcs	14  4pcs	15  1pcs	16  1pcs

Desk leg and foot pad assembly

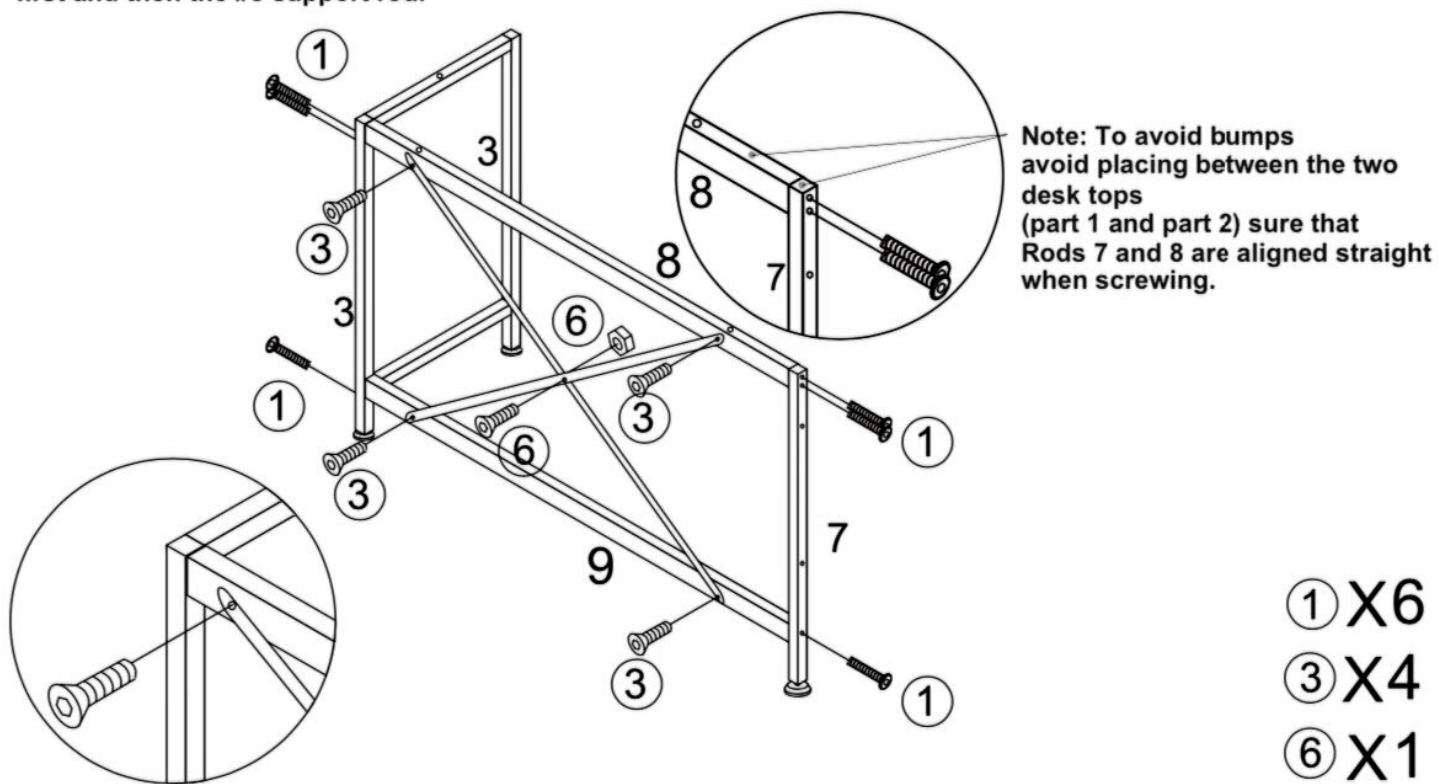
step 1



Main Desktop Frame

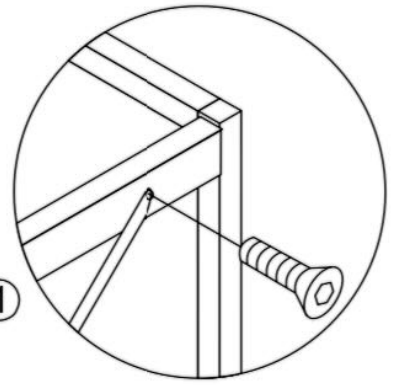
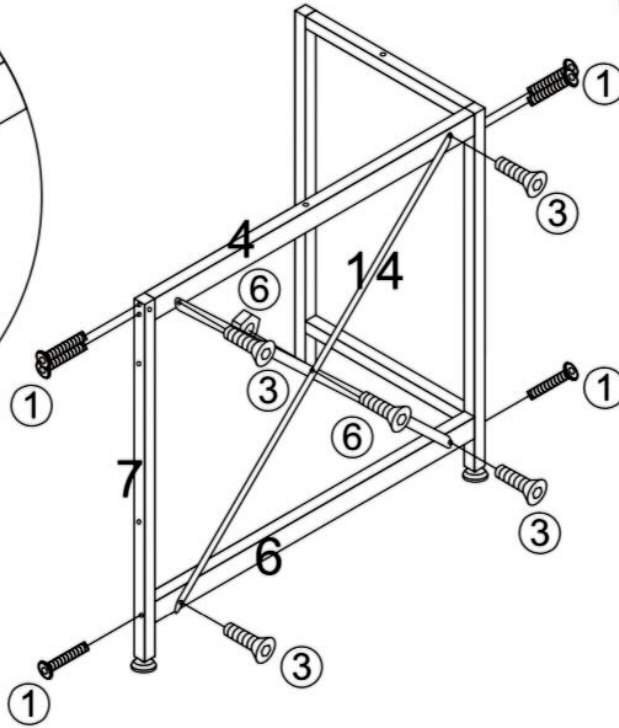
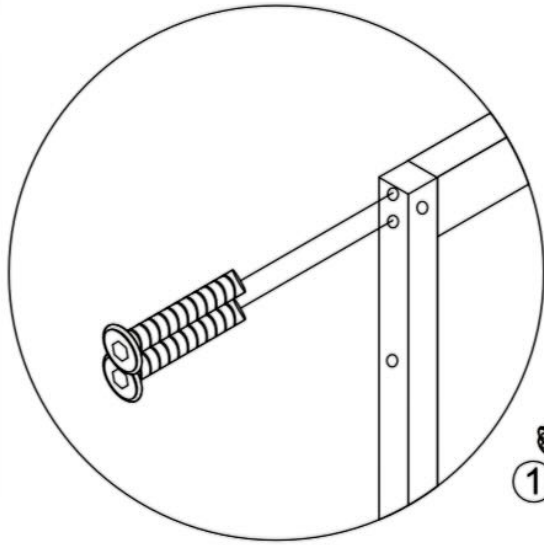
step 2

Note: We recommend installing the #9 support first and then the #8 support rod.



Secondary Desktop Frame Assembly

step 3

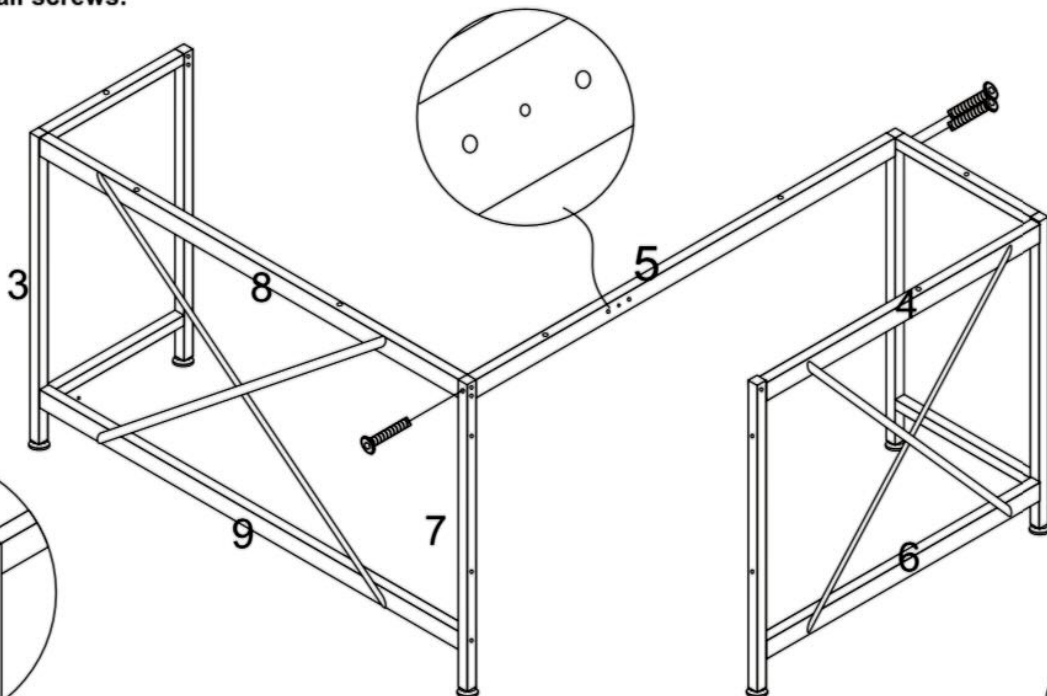


- ① X6
- ③ X4
- ⑥ X1

frame assembly

step 4

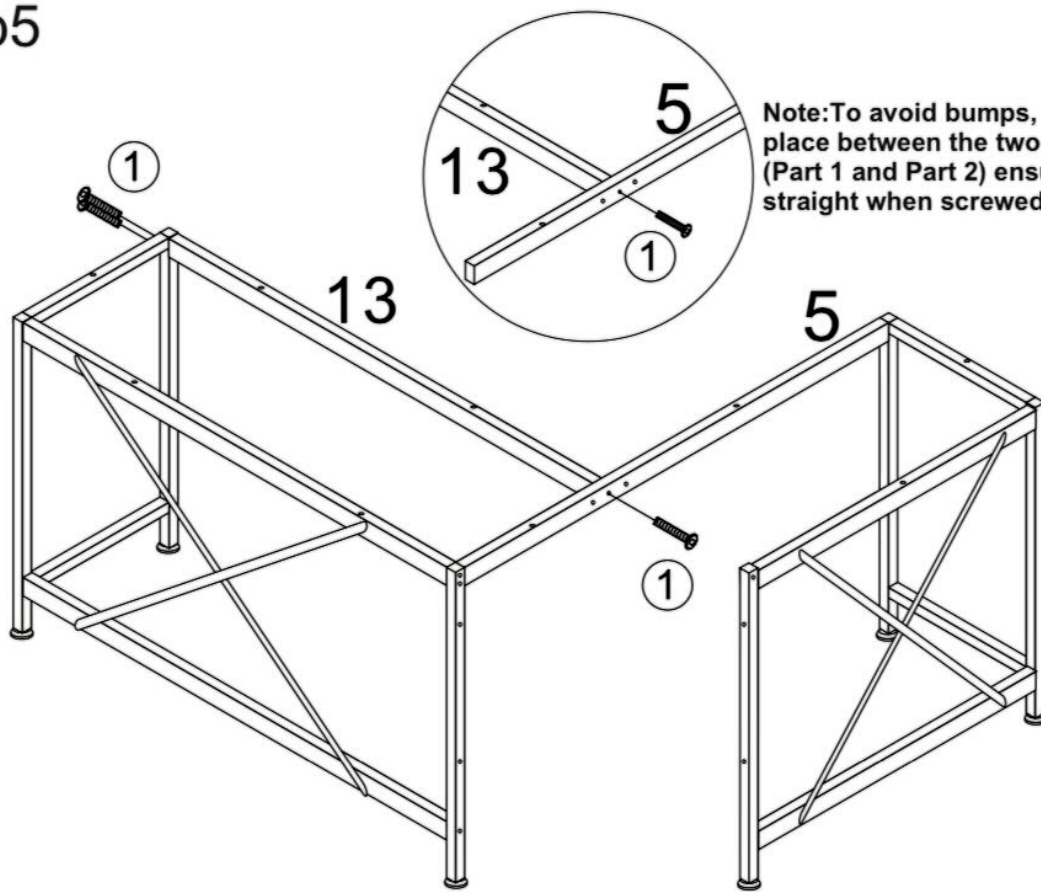
Note: To avoid screw hole misalignment during assembly, we recommend lightly caulking all screws.



- ① X3

frame assembly

step 5

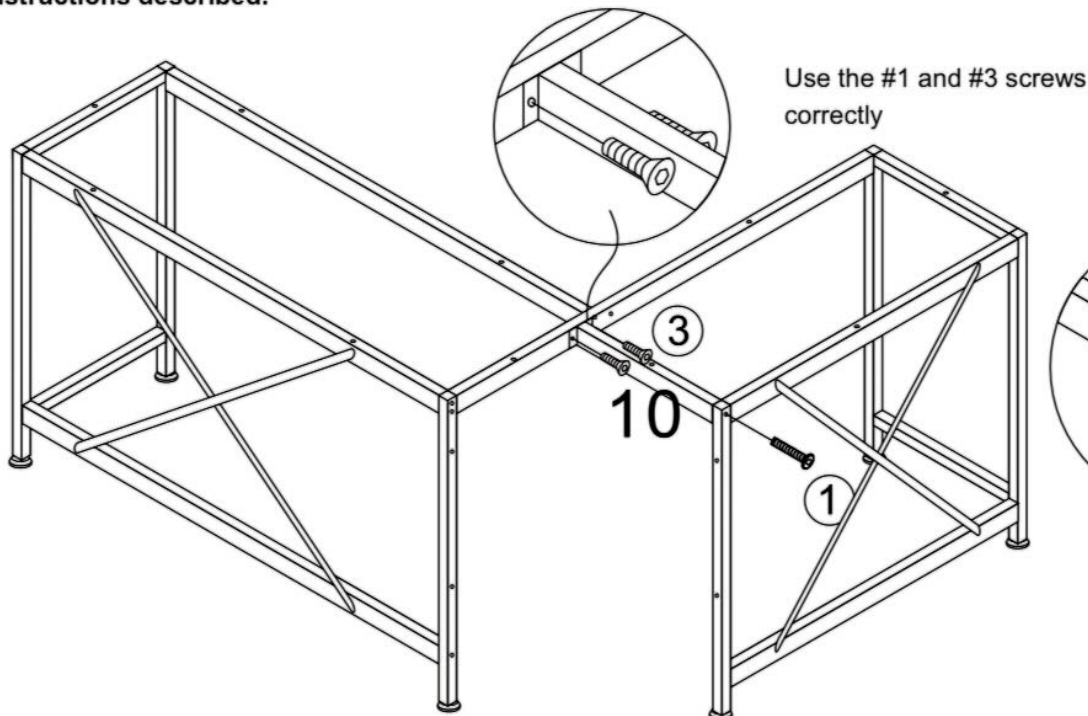


① X3

frame construction

step 6

Note: To install the #10 support rod, use the #1 and #3 screws correctly as shown in the instructions described.

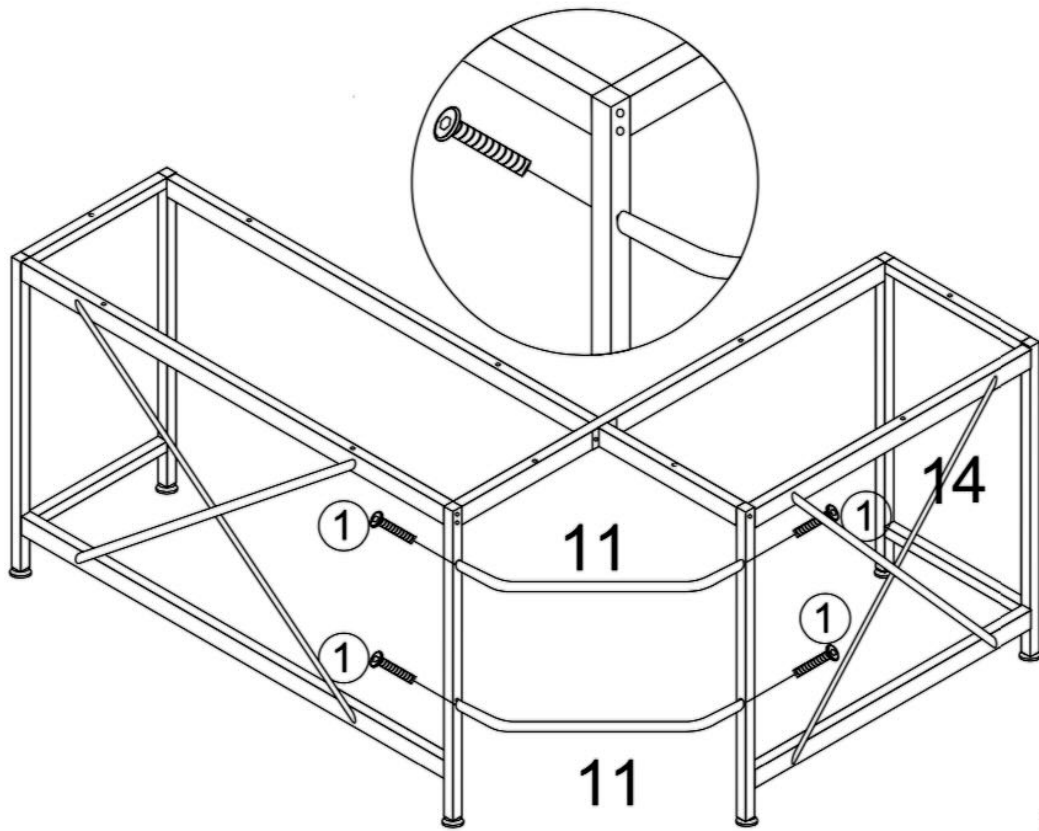


① X1

③ X2

connection assembly

step 7



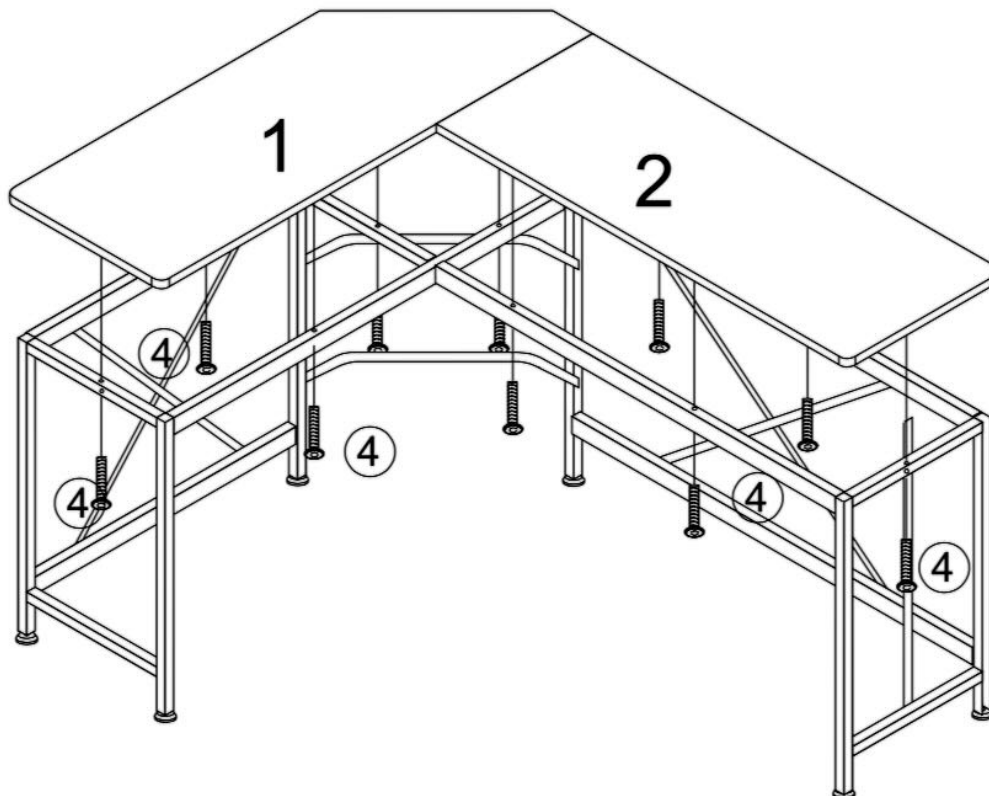
① X4

desk mount

step 8

Please make sure you enter the correct ones

Use screws to mount the desk top.

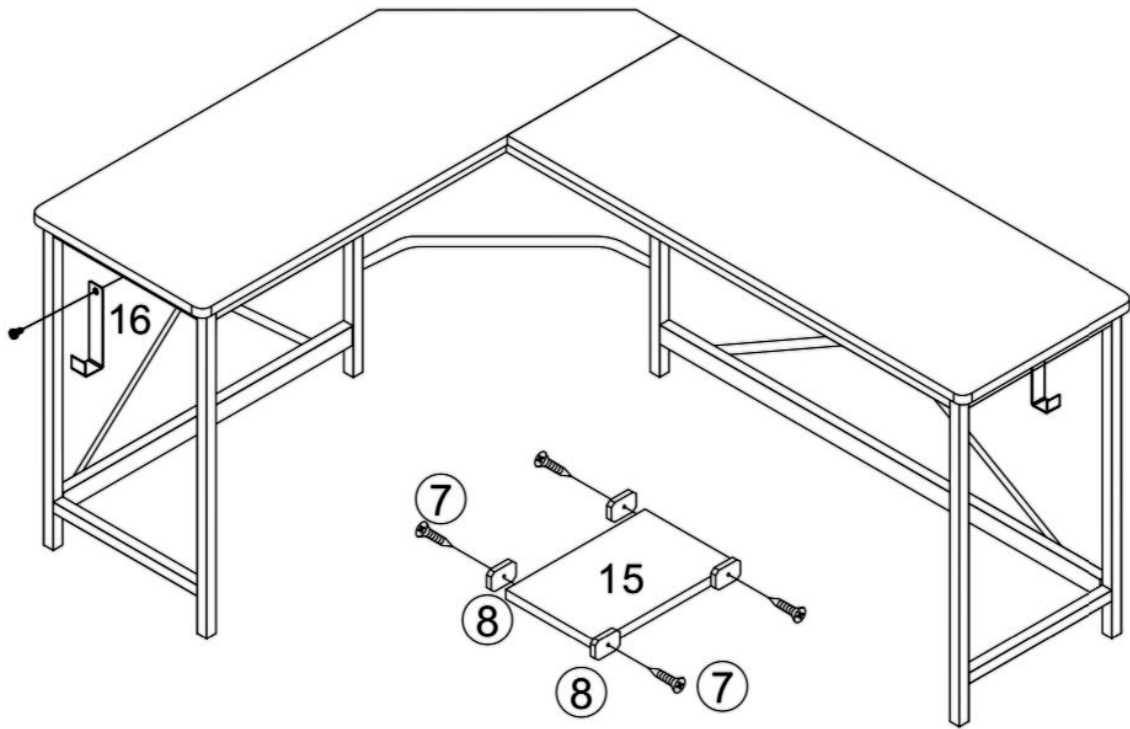


Using the wrong screw can result in a broken desktop.

④ X10

Computer calculator tray montage

step 9



- ③ X1
- ⑦ X4
- ⑧ X4