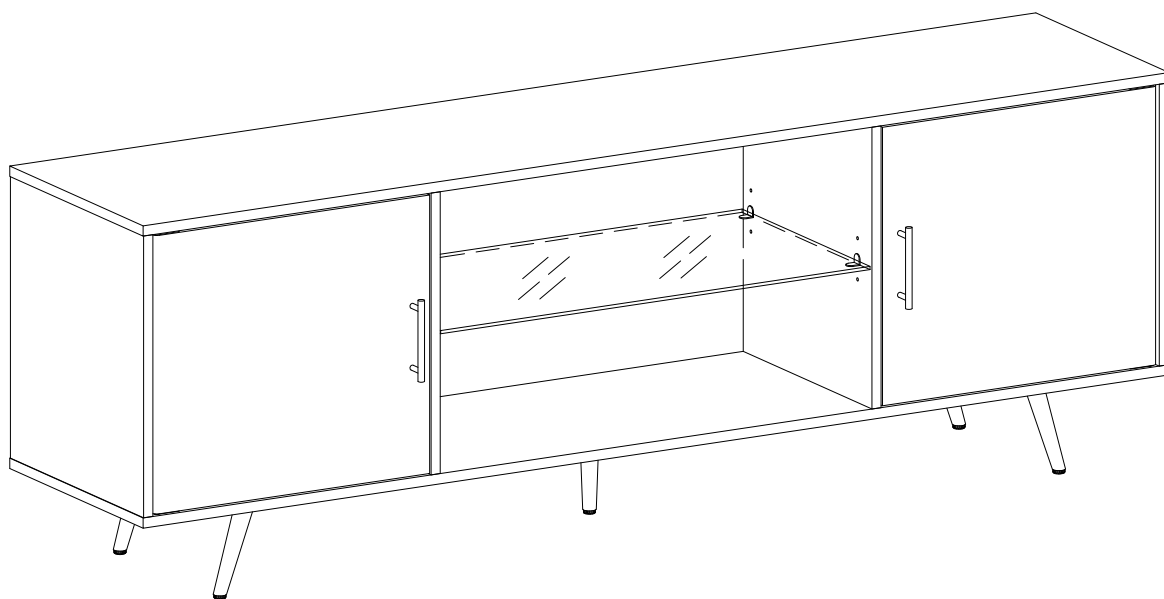


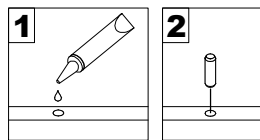
Assembly Instructions



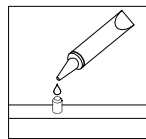
Please visit our website for the most current instructions, assembly tips, report damage, or request parts.

General Assembly Guidelines

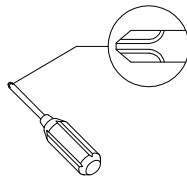
- I. Ensure that all parts and hardware are available before beginning assembly.
- II. Follow each step carefully to ensure the proper assembly of this product.
- III. Two people are recommended for ease in the assembly of this product.
- IV. The three main types of hardware used to assemble this product are : wood dowels , screws and bolts.
- V. The provided glue is to secure wood dowels in place . When first inserting dowels , locate the appropriate hole for the dowel , place a small amount of glue in the hole and insert the dowel . Wipe away excess glue immediately.



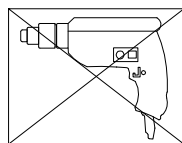
In future assembly steps when dowels are necessary to attach assembly parts together , place a small amount of glue on the end of the dowel before attaching parts together . Wipe away excess glue immediately.



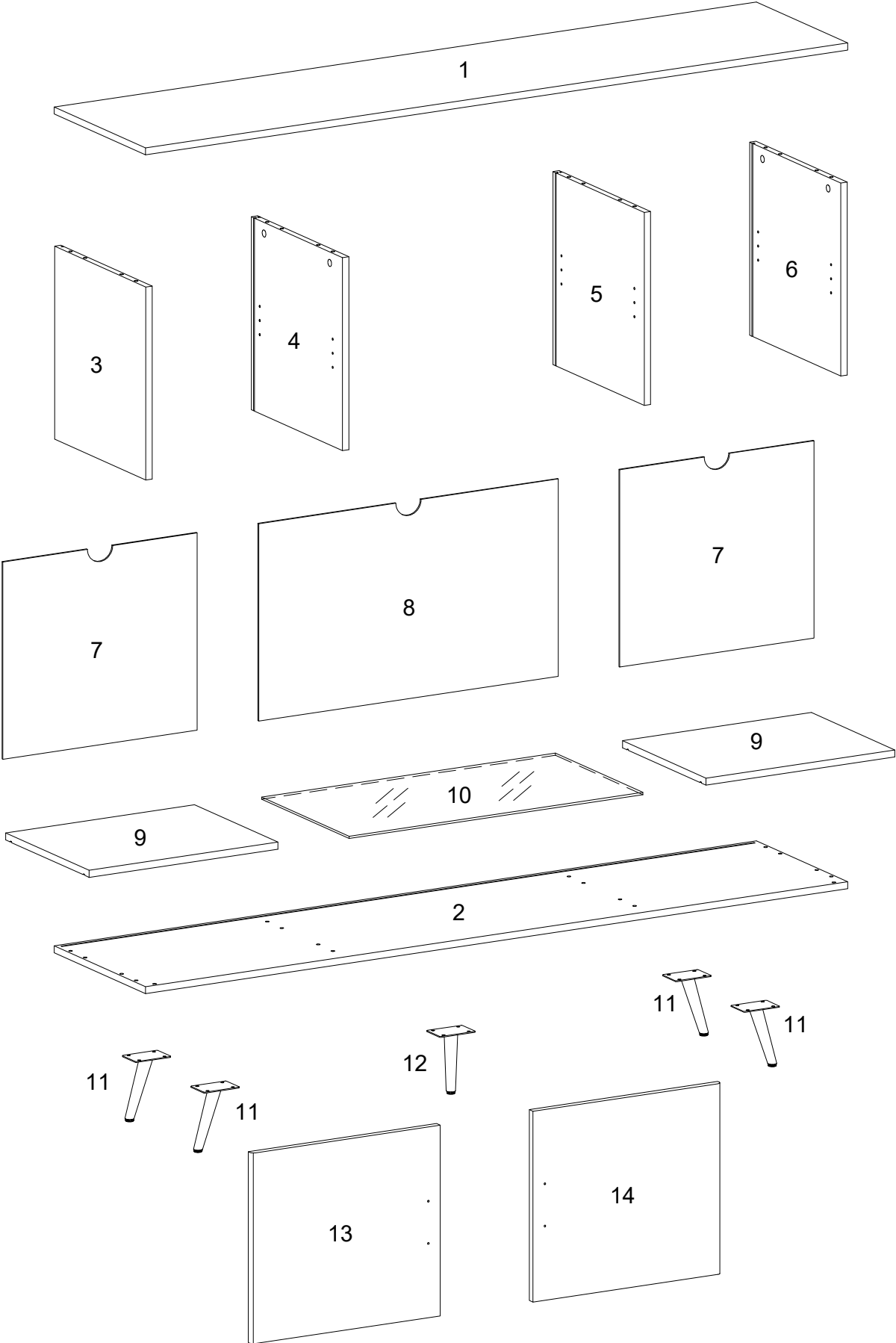
- VI. A Phillips head screwdriver is required for the assembly of this product .




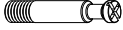

















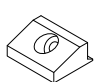

- VII. Power tools should not be used to assemble this product .

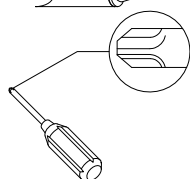


Parts List



Hardware List

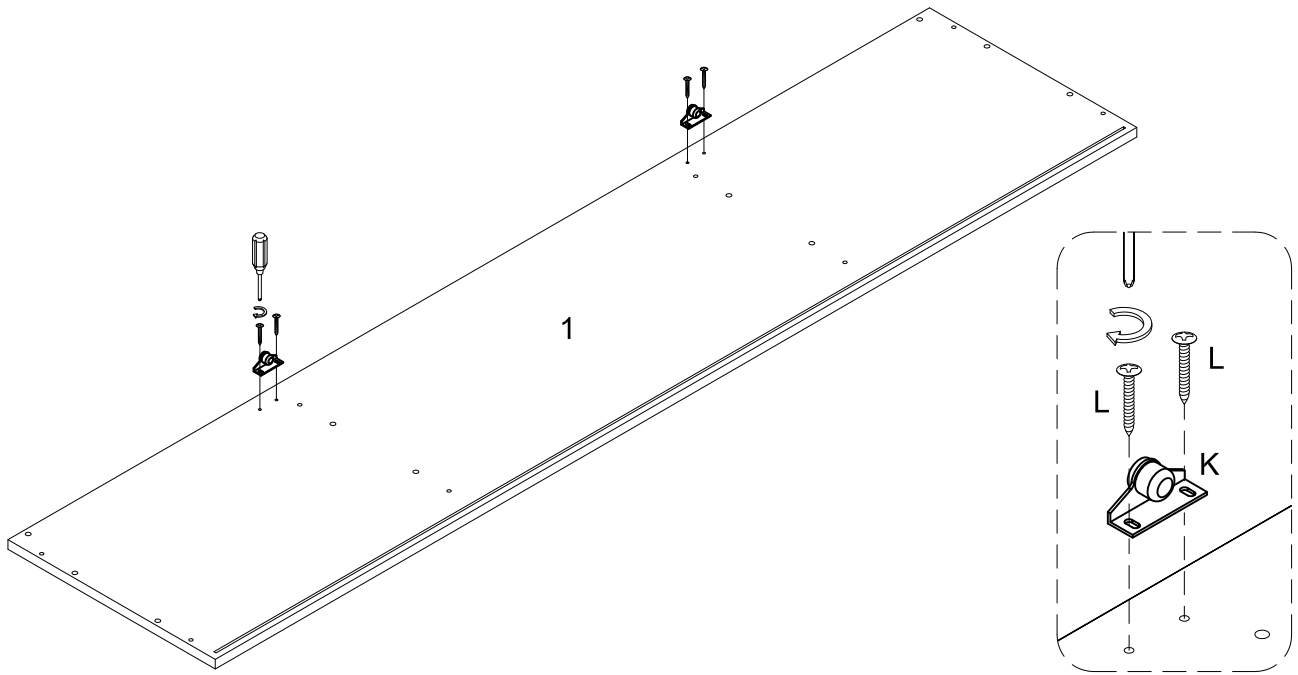
| | | | | |
|---|---|-----------|-------------------|--------|
| A |  | Ø8x30mm | Wooden dowel | 16 pcs |
| B |  | Ø6x35mm | Cam bolt | 8 pcs |
| C |  | Ø15x11mm | Cam lock | 8 pcs |
| D |  | Ø30mm | Sticker | 8 pcs |
| E |  | Ø6x50mm | Bolt | 8 pcs |
| F |  | Ø6x12mm | Bolt | 20 pcs |
| G |  | M 4 | Hex Key | 1 pcs |
| H |  | Ø8x5x16mm | Shelf support pin | 8 pcs |
| J |  | | Glass holder | 4 pcs |
| K |  | | Door stopper | 2 pcs |
| L |  | Ø3x15mm | Screw | 4 pcs |
| M |  | | Door Hinge | 2 pcs |
| N |  | | Door Hinge | 2 pcs |
| P |  | | Plastic pivot | 4 pcs |
| Q |  | Ø3x12mm | Screw | 8 pcs |
| R |  | | Bolt | 2 pcs |
| S |  | | Handle | 2 pcs |
| T |  | Ø4x22mm | Handle Bolt | 4 pcs |
| U |  | Ø3x17mm | Screw | 12 pcs |
| V |  | | Plastic wedge | 12 pcs |
| W |  | | Glue tube | 1 pcs |



Philips head screwdriver required for assembly
(not included)

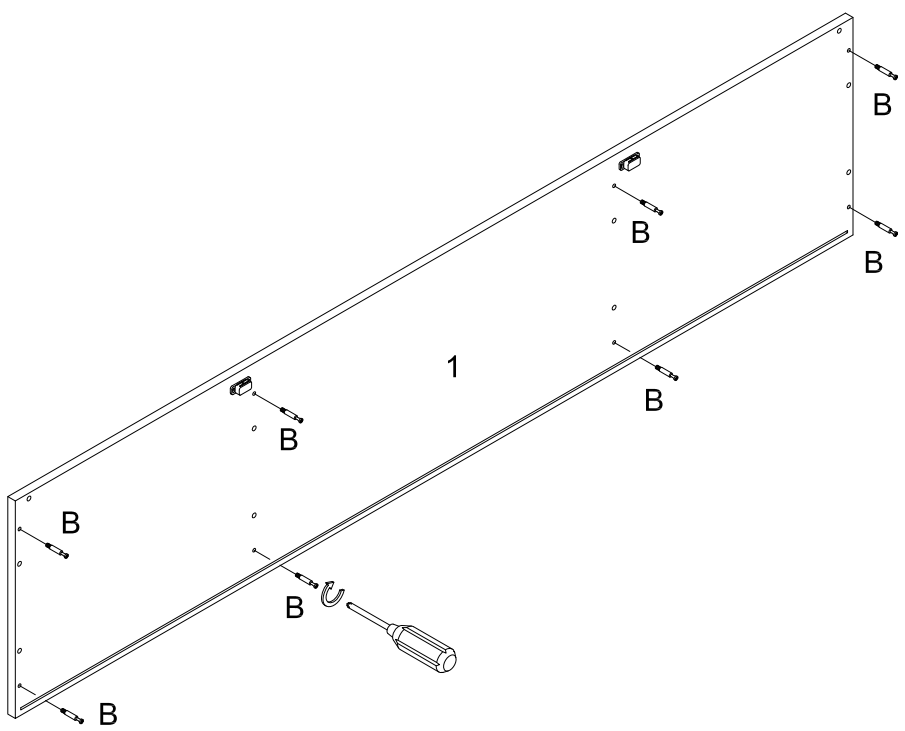
*The hardware quantities listed above are required for proper assembly.
Some extra hardware may also have been included.*

Step 1



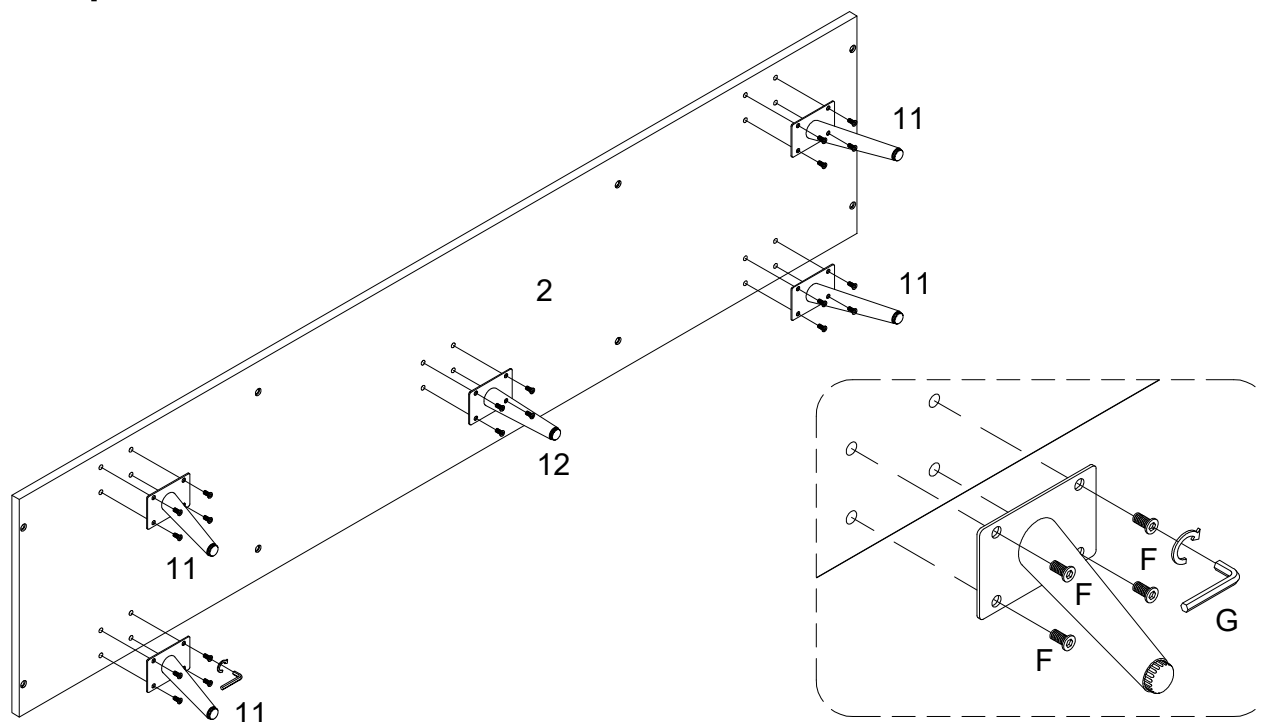
Attach door stopper (K) to part (1) using screw (L) with screwdrivers.

Step 2



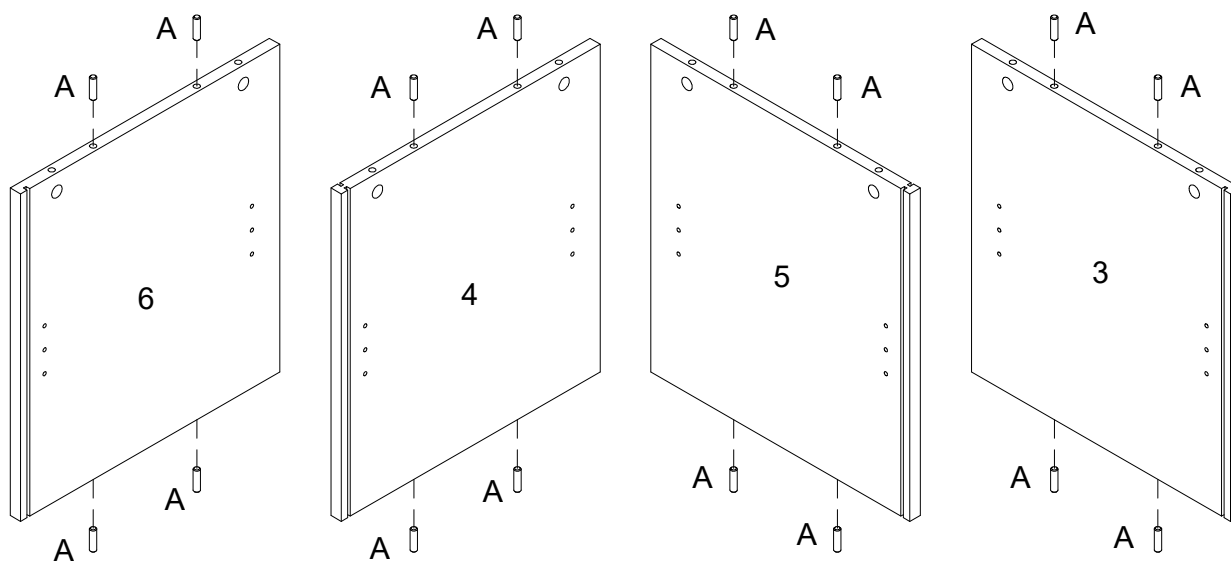
Attach cam bolt (B) to part (1) with screwdriver.

Step 3



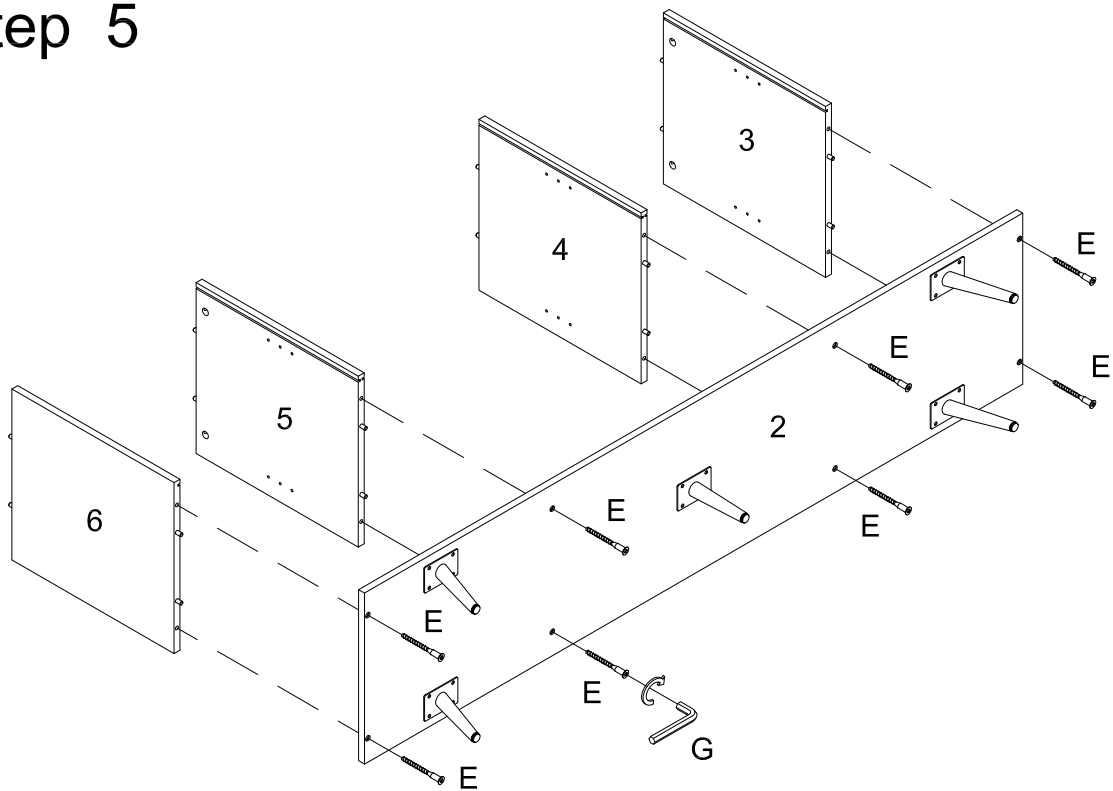
Use hex key(G) to secure bolt (F) into part (2).

Step 4



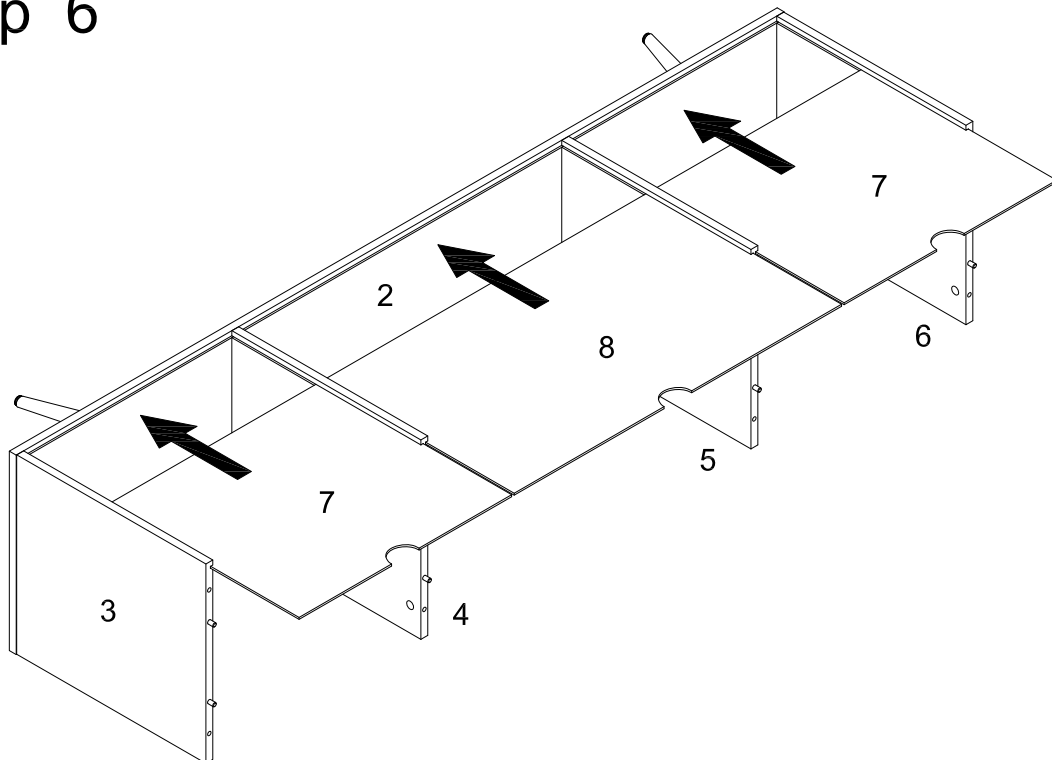
Insert wooden dowel (A) into part (3,4,5,6).

Step 5



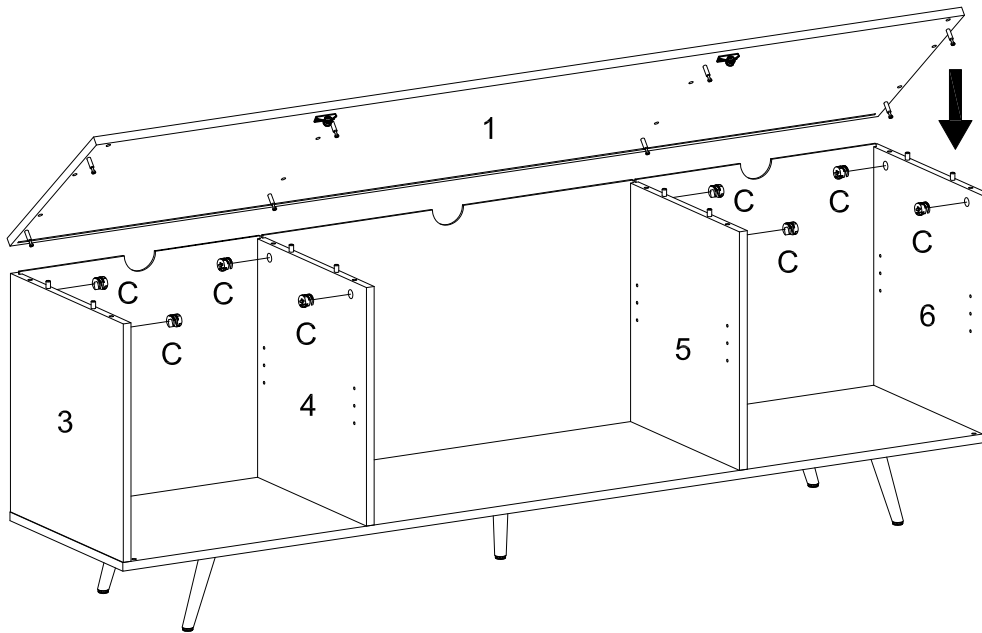
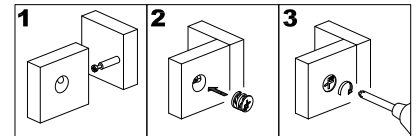
Attach part (3,4,5,6) to part (2) using bolt (E) with hex key (G)

Step 6



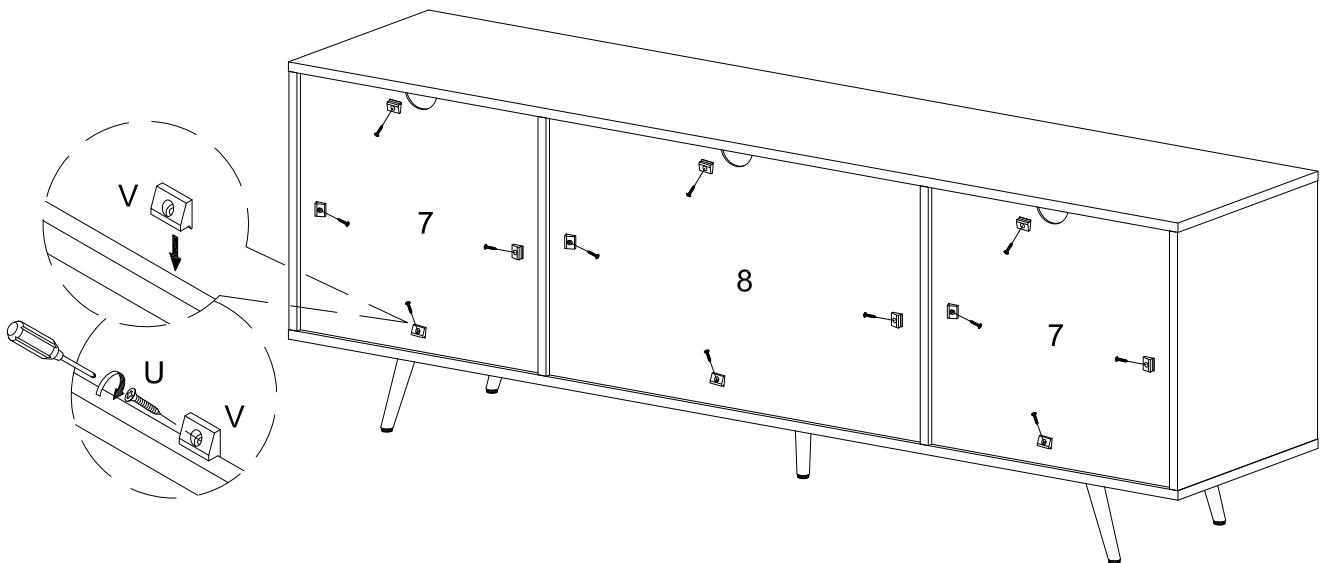
Slide back panel (7,8) into grooves as per diagram.

Step 7



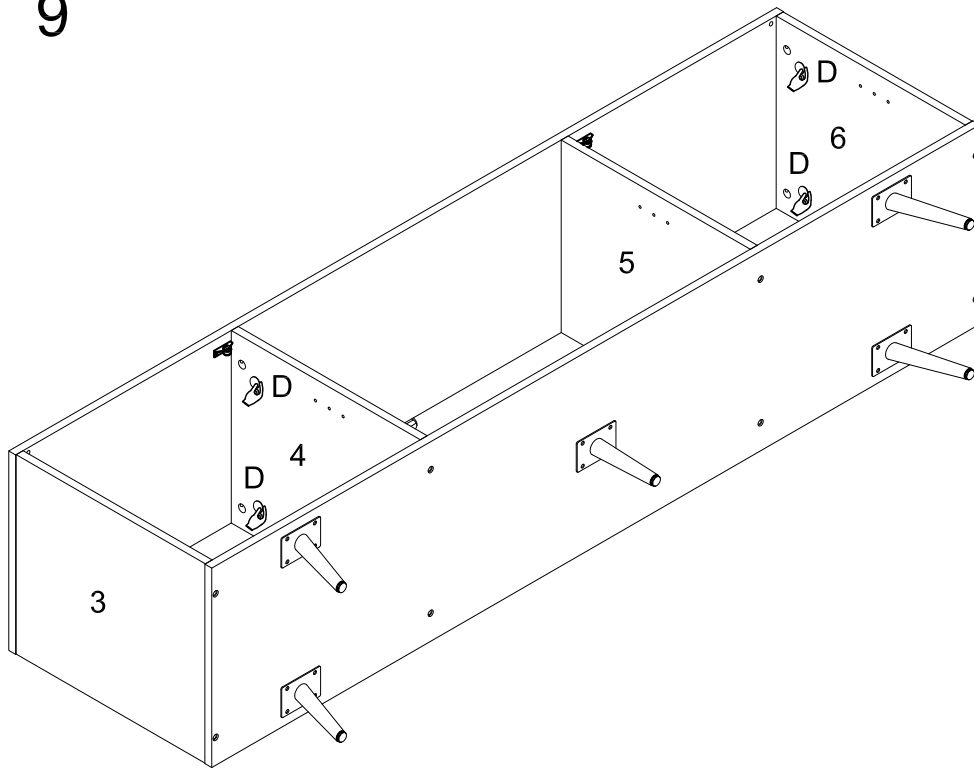
Attach part (1) to part (3,4,5,6), then insert and secure cam lock (C) to part (3,4,5,6) to lock it

Step 8



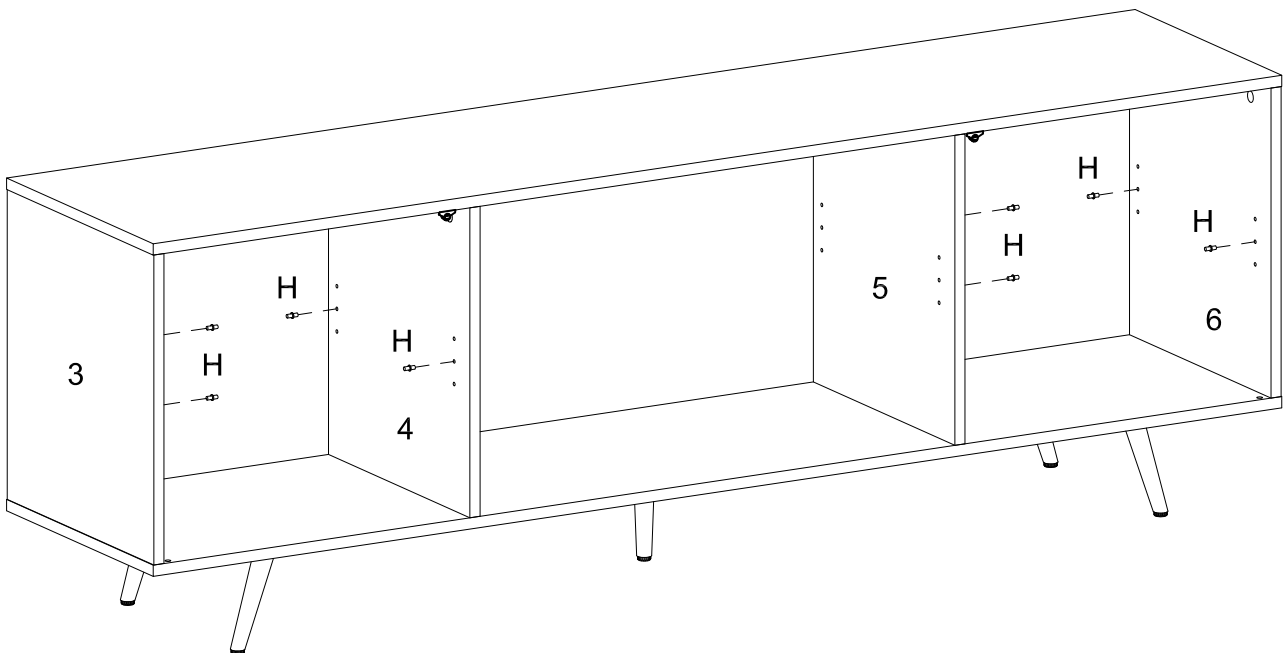
Attach plastic wedge (V) to part (7,8) using screw (U) with screwdriver.

Step 9



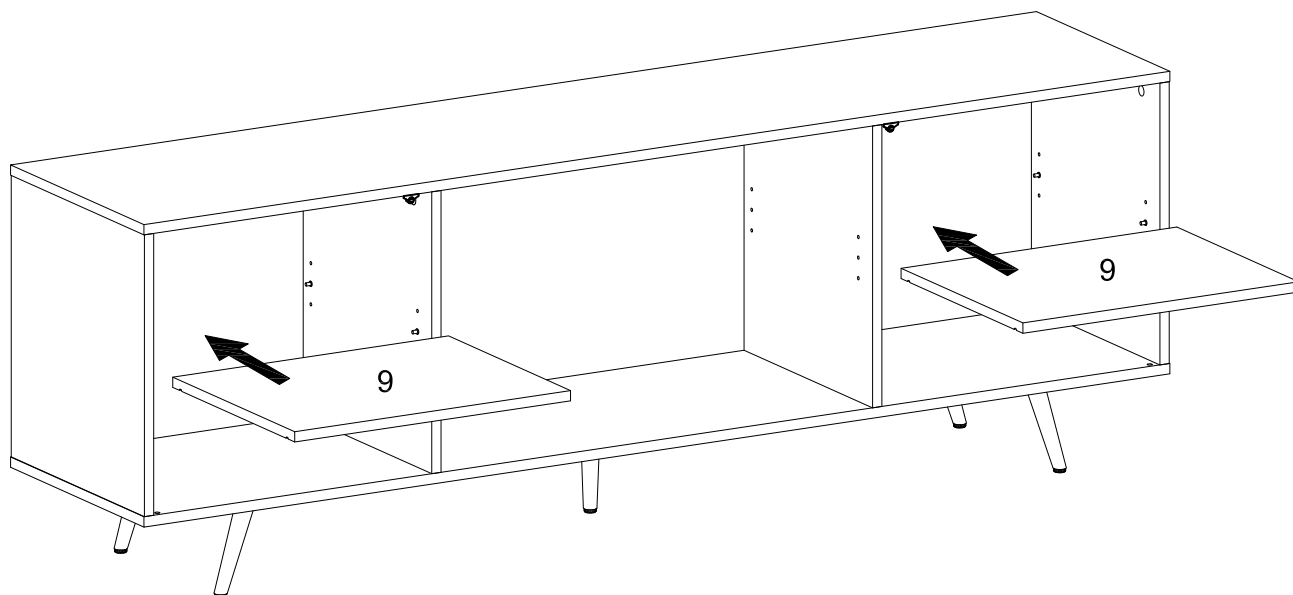
Place sticker (D) over holes as per diagram.

Step 10



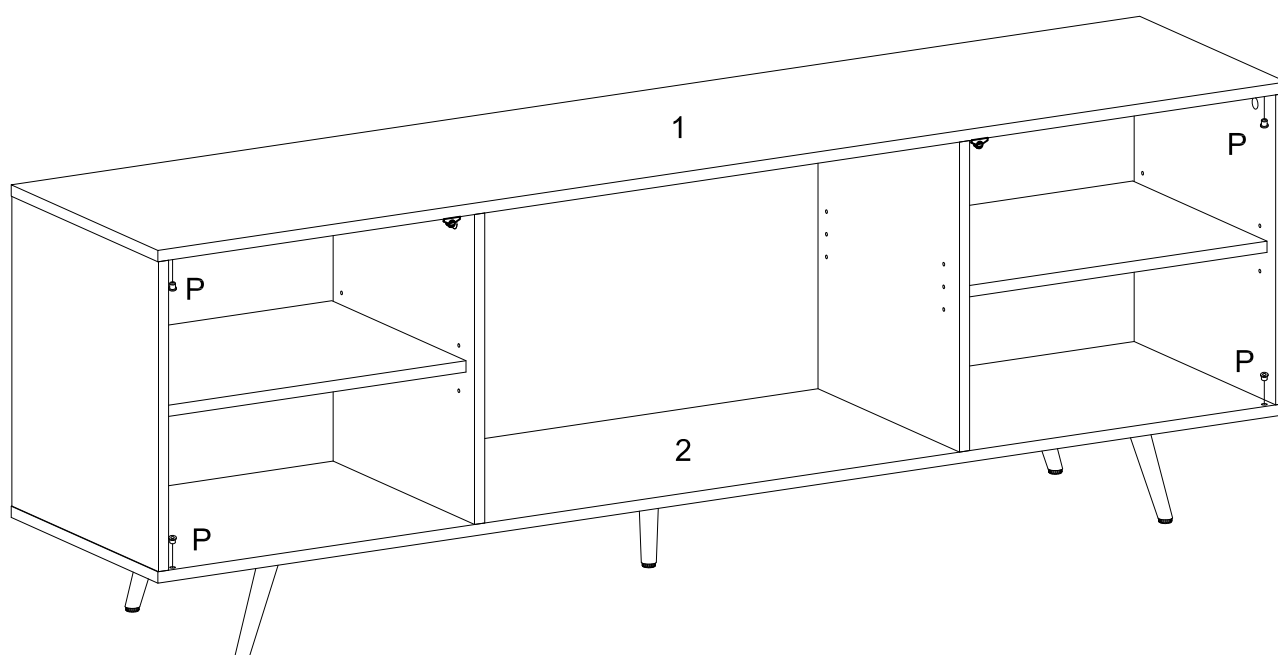
Insert shelf support pin (H) into part(3,4,5,6).

Step 11



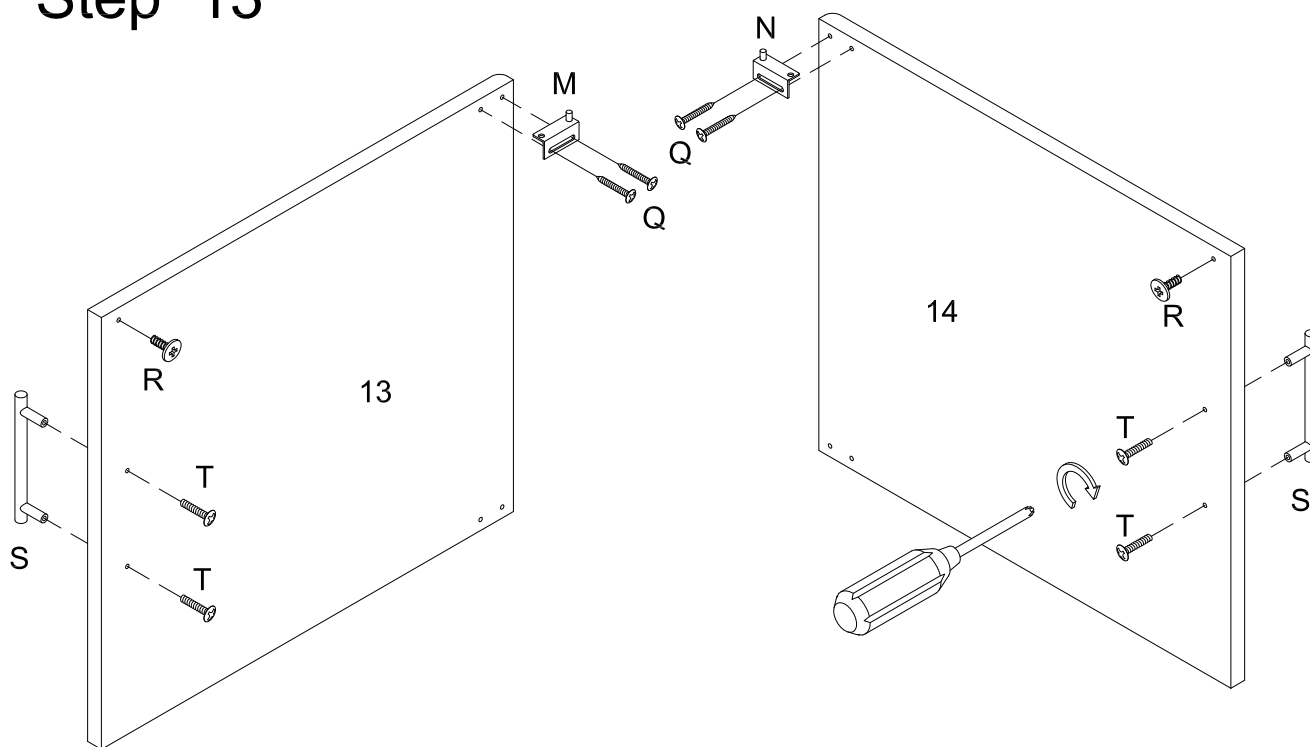
Place shelf (9) on top of support pin .

Step 12



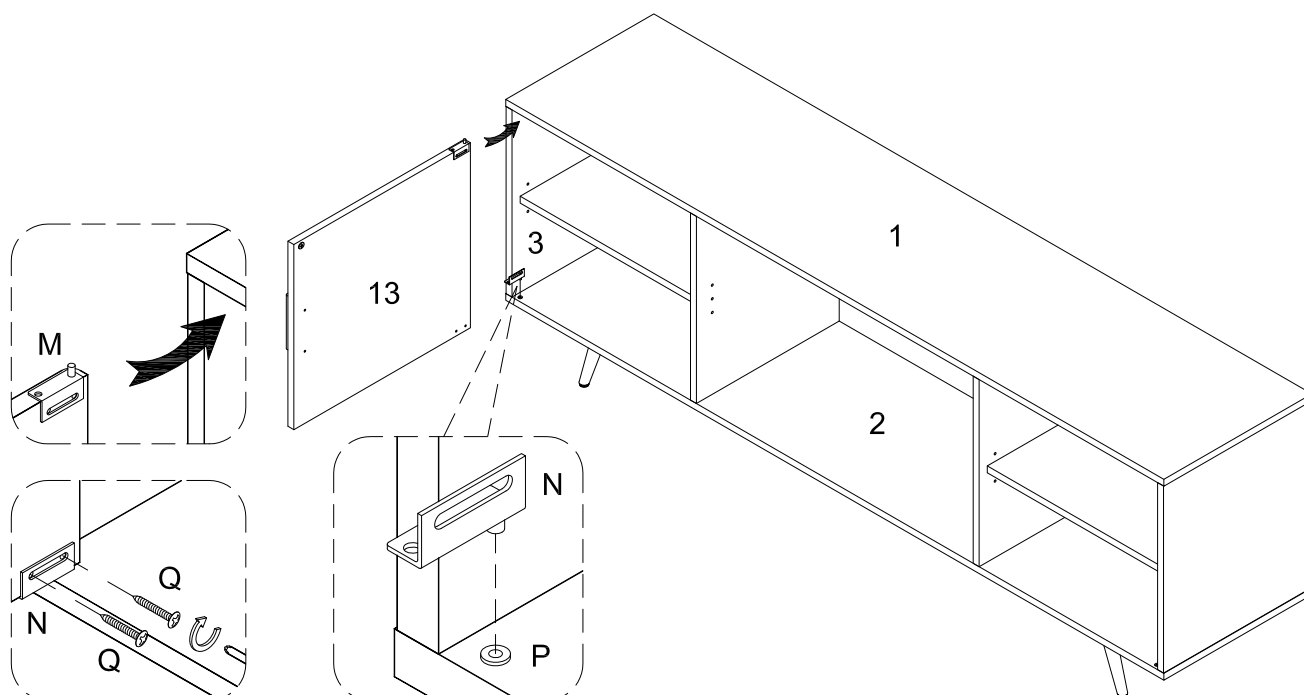
Place plastic pivot (P) over holes as per diagram.

Step 13



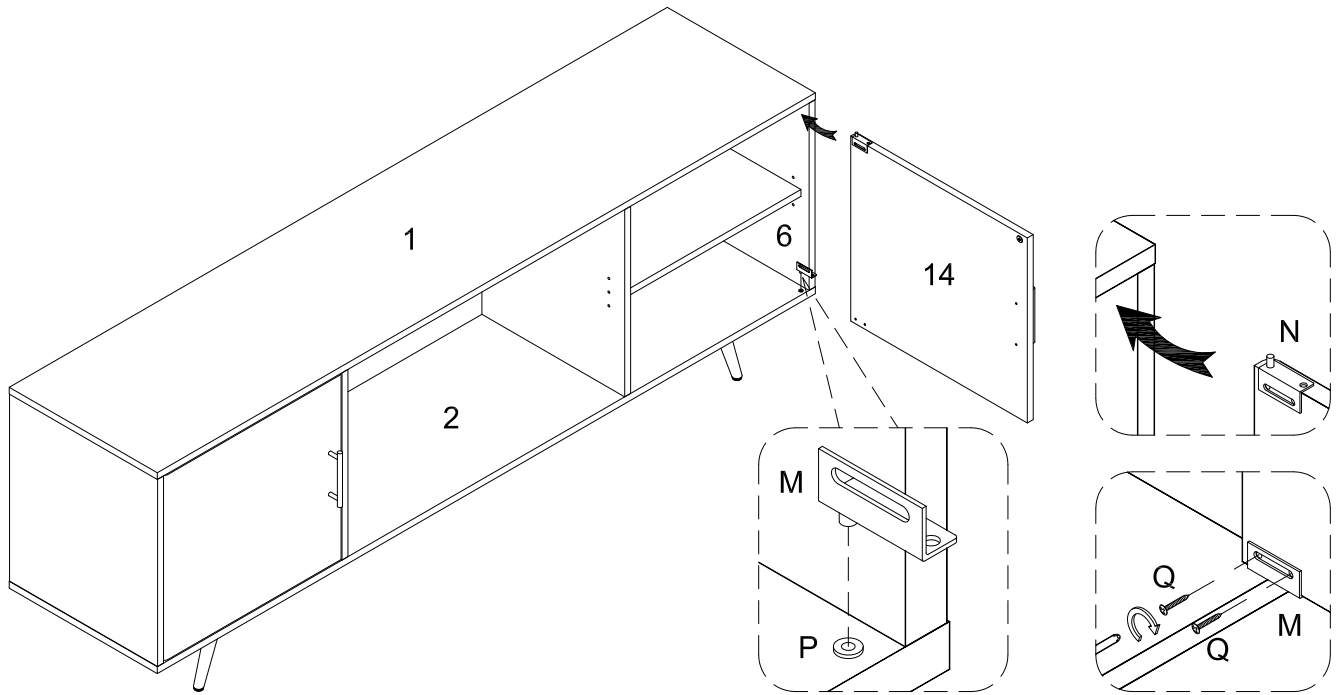
Attach handle (S) to part (13,14) using handle bolt (T) with screwdriver. Attach door hinge (M,N) to part (13,14) using screw (Q) with screwdriver. Attach bolt (R) to part (13,14) with screwdriver.

Step 14



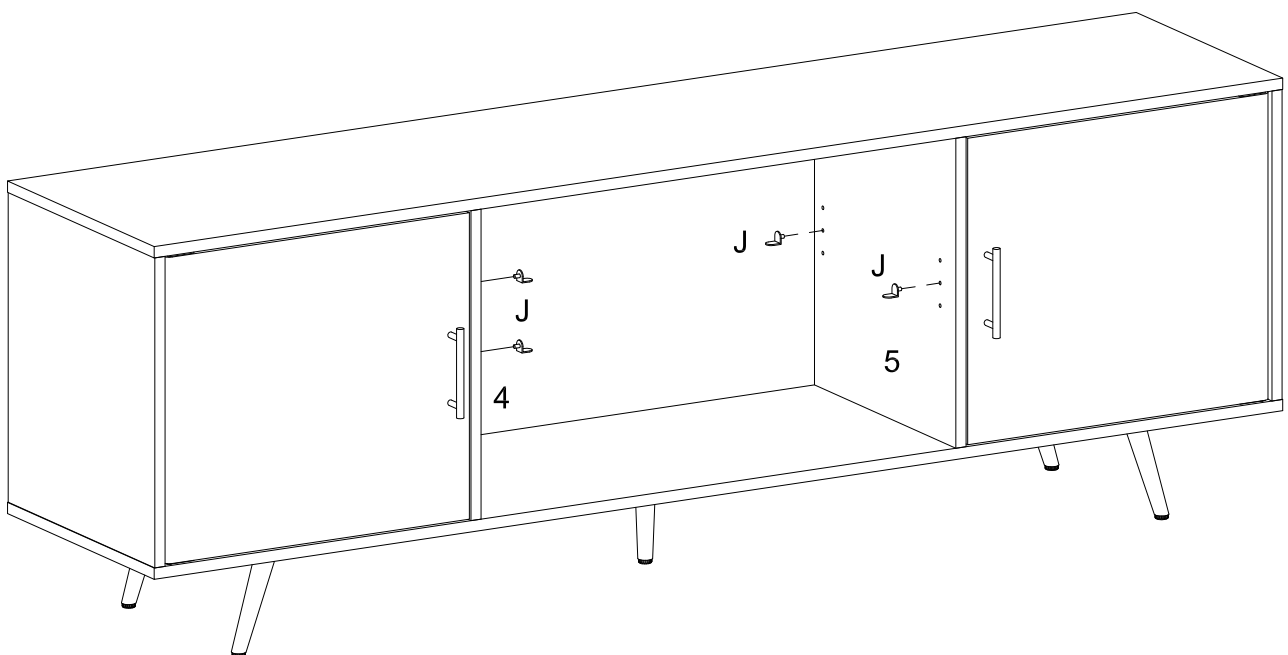
Insert top door hinge (M) into plastic pivot (P) on part (1), then slide the door (13) into bottom hinge (N). Secure door by tightening door hinge (N) using screws (Q) with equal pressure.

Step 15



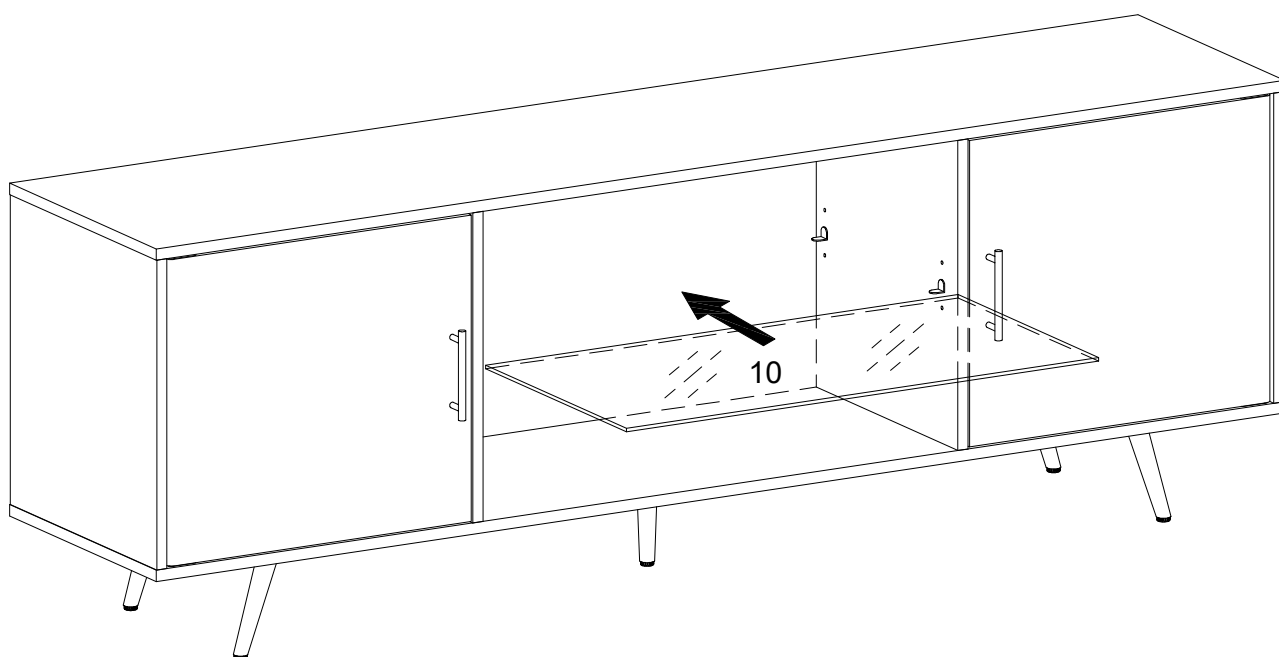
Insert top door hinge(N) into plastic pivot (P) on part (1), then slide the door (14) into the bottom hinge (M). Secure door by tightening door hinge (M) using screws (Q) with equal pressure.

Step 16



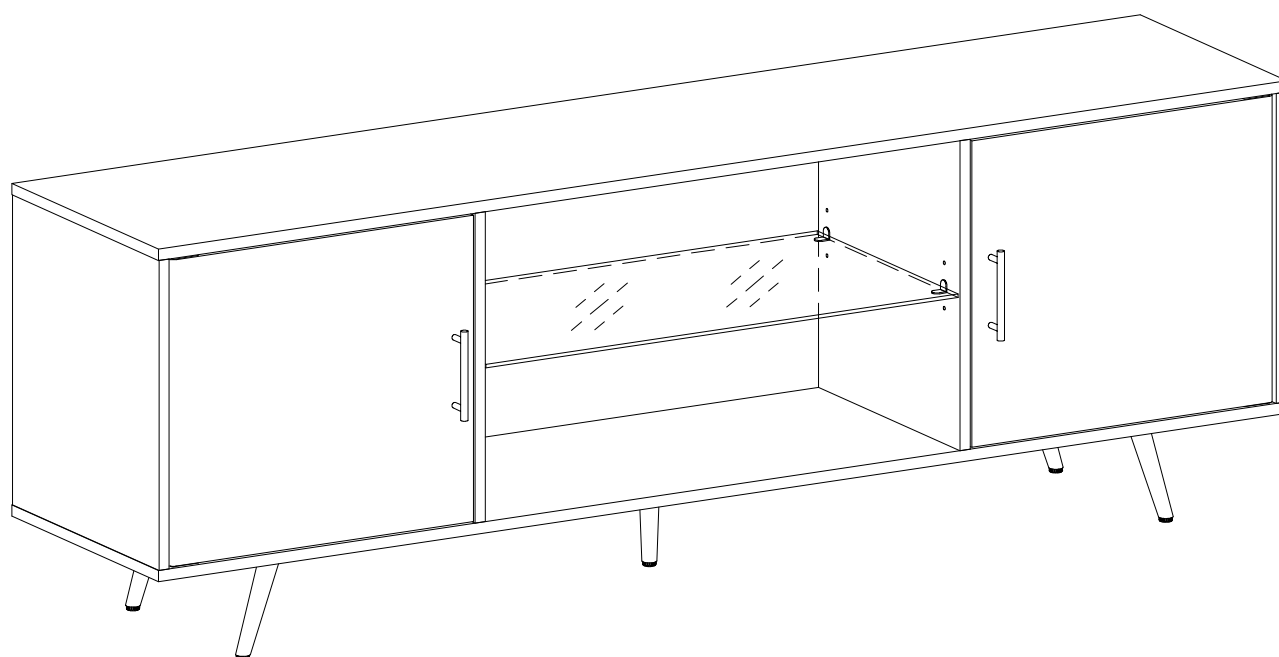
Insert glass holder (J) into part(4,5).

Step 17



Place glass shelf (10) on top of glass holder carefully.

Step 18



Final Assembly