

# Assembly Guide



**Bush**  
FURNITURE

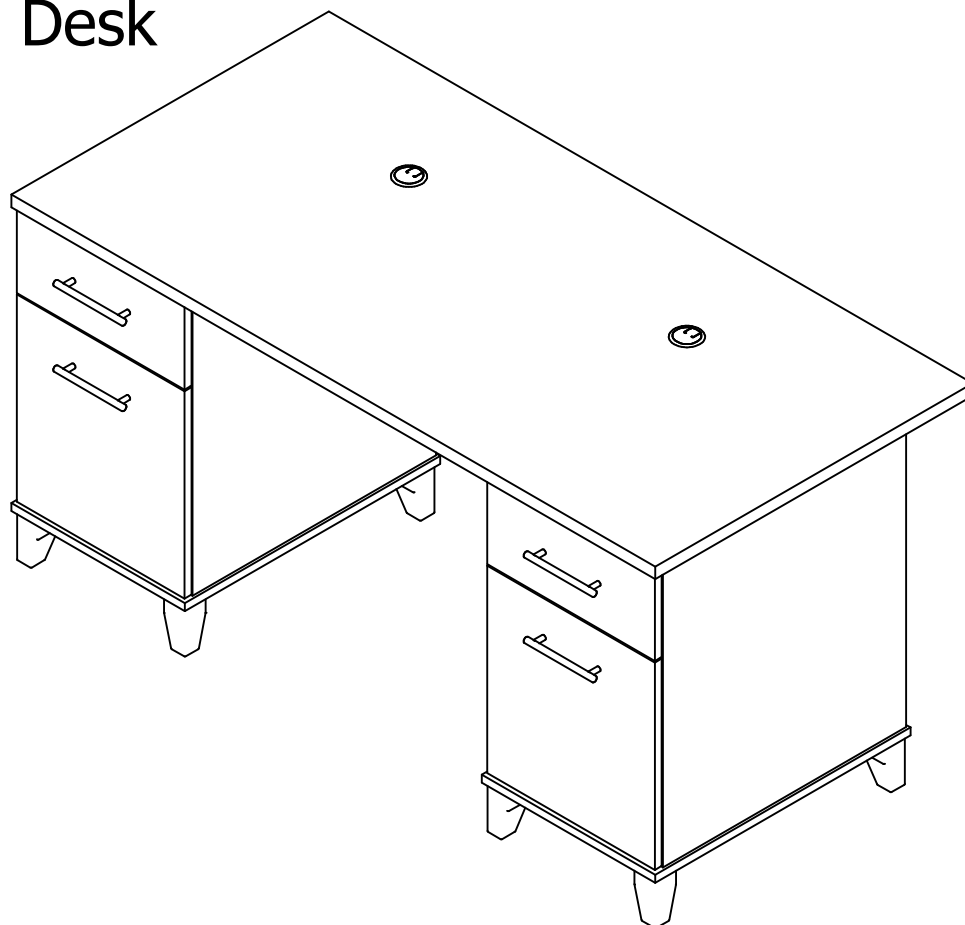


If you're having any difficulty during assembly of this product, don't hesitate to call us at **1-800-950-4782.**

Our customer service experts are trained to provide step-by-step instruction and can easily replace any missing or damaged parts.

**Representatives are available Monday-Friday from 8:30 a.m. to 7:30 p.m. (ET)**

## Pedestal Desk



Lot Code #

Part Number A186386D

Keep manual for future reference.

## For best results, keep these tips in mind:

- ① We know you want to finish this assembly as quickly as possible, but trust us: you'll have a better experience if you take it one step at a time.
- ② Give yourself some room to work near where you want the fully assembled product.
- ③ If your floor isn't carpeted, assemble this product on the empty carton to avoid scratching.
- ④ Do you have a friend who owes you a favor? Some steps may go a little easier with a second set of hands.

### DOs

- ✔ Use a #2 Phillips head screwdriver (or other handheld tools as indicated)
- ✔ Wear safety glasses at all times during assembly
- ✔ Carefully follow the instructions in this guide and complete all steps in order
- ✔ Give us a call if you're having trouble with a particularly tricky step

### DON'Ts

- ✘ We know power tools are quick and easy, but you shouldn't use them when assembling this product (unless otherwise specified)
- ✘ Never move your furniture with items inside or resting on the surface
- ✘ Do not attempt to use this product before all steps have been completed



## Watch assembly videos right on your phone or computer!



Some steps include QR codes that link to helpful videos. Watch out for the icon on the left! Simply open up your smartphone camera to scan the code.

*(Users of older smartphones may need to install a QR Reader.)*

### SCAN HERE



FOR VIDEOS

Or visit <https://www.bushfurniture.com/CustomerService/HowtoAssemble.aspx>

# IMPORTANT SAFETY INFORMATION



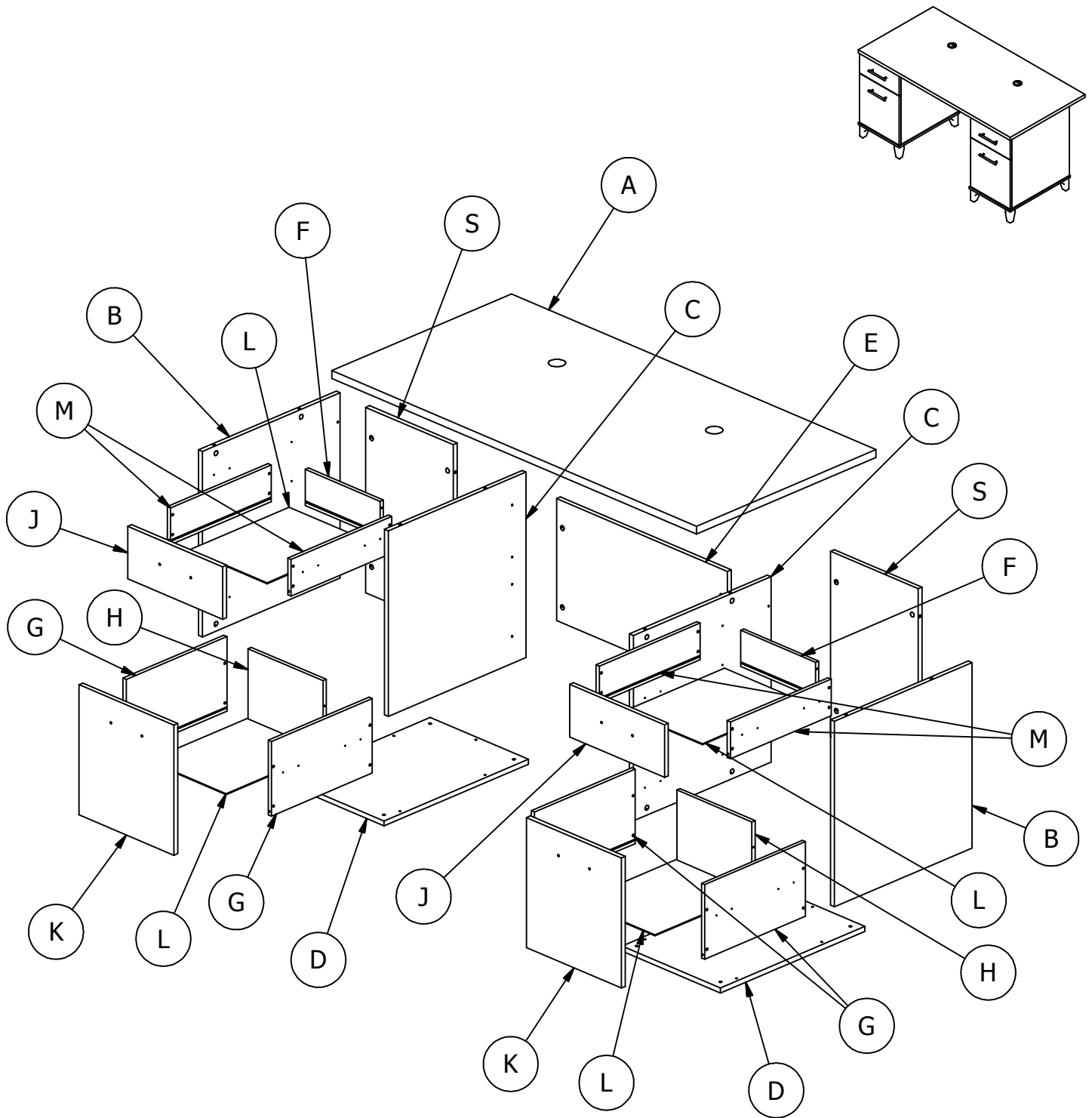
## PLEASE READ WARNINGS

Improper use can cause safety hazards, or damage to your furniture and household items.

Warning	Do	Don't	Why it's important
<b>Serious injury may occur.</b>	<ul style="list-style-type: none"><li>Assemble following all instructions using all indicated parts and hardware provided.</li></ul>	<ul style="list-style-type: none"><li>Do not move unit when loaded.</li><li>Do not load with a television or other heavy equipment.</li><li>Do not exceed the maximum load limits stated in the instructions.</li></ul>	Improper assembly, use or loading can lead to product instability, tip-over or collapse.

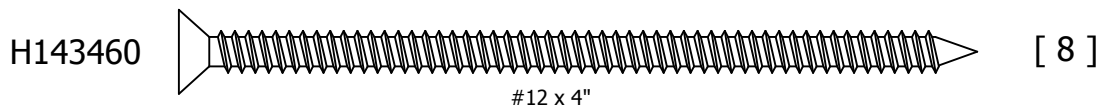
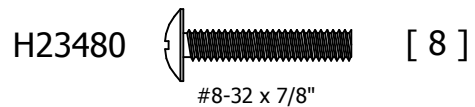
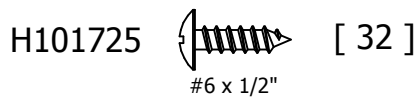
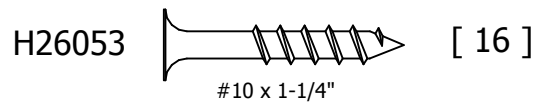
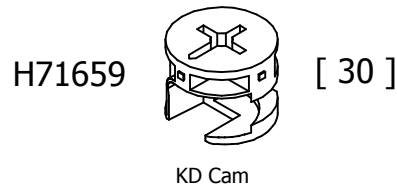
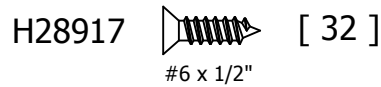
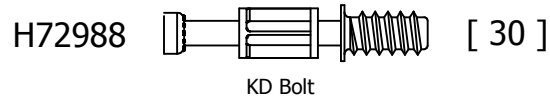
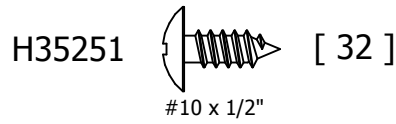
Advertencia	Hacer	No	Por qué es importante
<b>Se pueden producir lesiones graves.</b>	<ul style="list-style-type: none"><li>Ensamble siguiendo todas las instrucciones utilizando todas las piezas y ferretería indicados provistos.</li></ul>	<ul style="list-style-type: none"><li>No mueva la unidad cuando esté cargada.</li><li>No cargue con un televisor u otro equipo pesado.</li><li>No exceda los límites máximos de carga establecidos en las instrucciones.</li></ul>	El ensamblaje, uso o carga inadecuados pueden provocar inestabilidad del producto, vuelco o colapso.

Avertissement	Faire	Ne le fais pas	Pourquoi c'est important
<b>Des blessures graves peuvent survenir.</b>	<ul style="list-style-type: none"><li>Assemblez en suivant toutes les instructions en utilisant toutes les pièces et le matériel indiqués fournis.</li></ul>	<ul style="list-style-type: none"><li>Ne déplacez pas l'unité lorsqu'elle est chargée.</li><li>Ne chargez pas avec un téléviseur ou un autre équipement lourd.</li><li>Ne dépassez pas les limites de charge maximale indiquées dans les instructions.</li></ul>	Un assemblage, une utilisation ou un chargement incorrects peuvent entraîner une instabilité du produit, un renversement ou un effondrement.



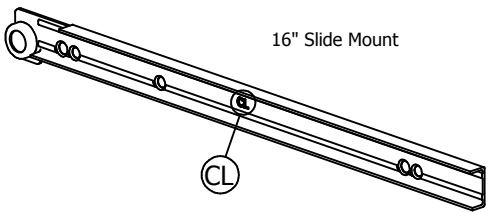
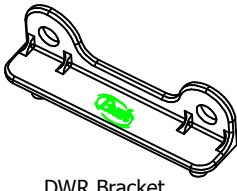
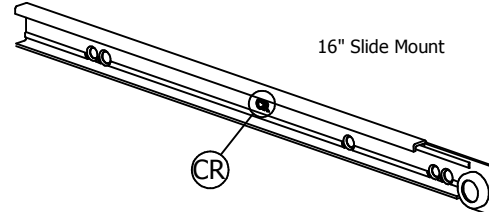
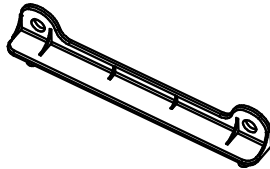
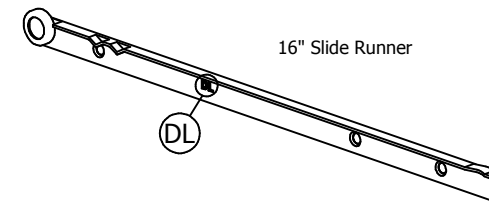
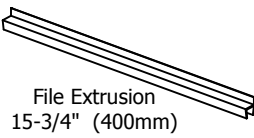
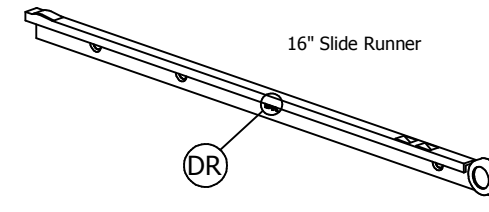
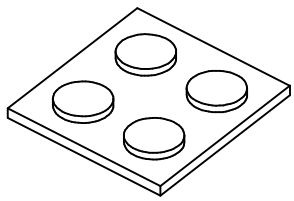
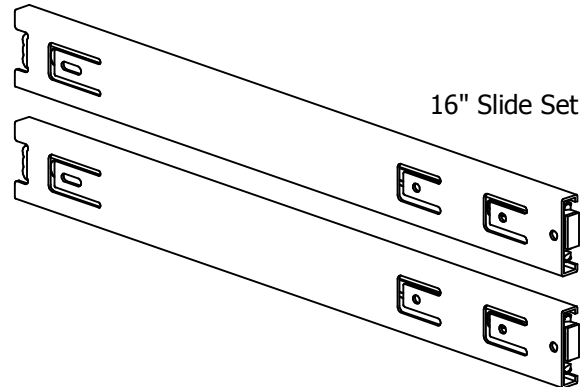
Have an assembly question or need a replacement part? Just call  
**1-800-950-4782**, we are here to help.

Fasteners are shown actual size.



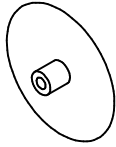
Have an assembly question or need a replacement part? Just call  
**1-800-950-4782**, we are here to help.

Hardware not to scale.

- |         |   |       |         |  |       |
|---------|---|-------|---------|--|-------|
| Q89897  |  <p>16" Slide Mount</p>    | [ 2 ] | H100445 |  <p>DWR Bracket</p>                         | [ 4 ] |
| Q89897  |  <p>16" Slide Mount</p>    | [ 2 ] | H100446 |  <p>Drawer Bracket</p>                      | [ 4 ] |
| Q89897  |  <p>16" Slide Runner</p>  | [ 2 ] | H162488 |  <p>File Extrusion<br/>15-3/4" (400mm)</p> | [ 4 ] |
| Q89897  |  <p>16" Slide Runner</p> | [ 2 ] | H77351  |  <p>Bumper (4) per pack</p>               | [ 2 ] |
| Q162813 |  <p>16" Slide Set</p>    | [ 2 ] |         |  |       |

Have an assembly question or need a replacement part? Just call **1-800-950-4782**, we are here to help.

Hardware not to scale.



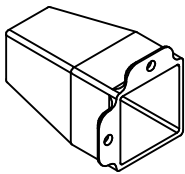
[ 4 ]

Cover Cap



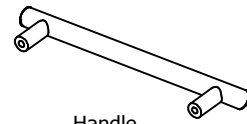
[ 2 ]

5mm Hole Plug



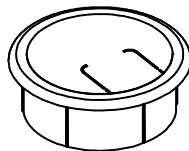
[ 8 ]

Foot



[ 4 ]

Handle



[ 2 ]

Grommet

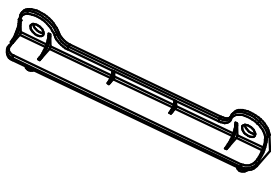
Have an assembly question or need a replacement part? Just call  
**1-800-950-4782**, we are here to help.

# STEP 1

# Assemble Drawer Fronts

A186386D

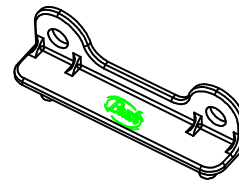
H100446



[ 4 ]

Drawer Bracket

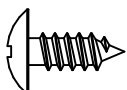
H100445



[ 4 ]

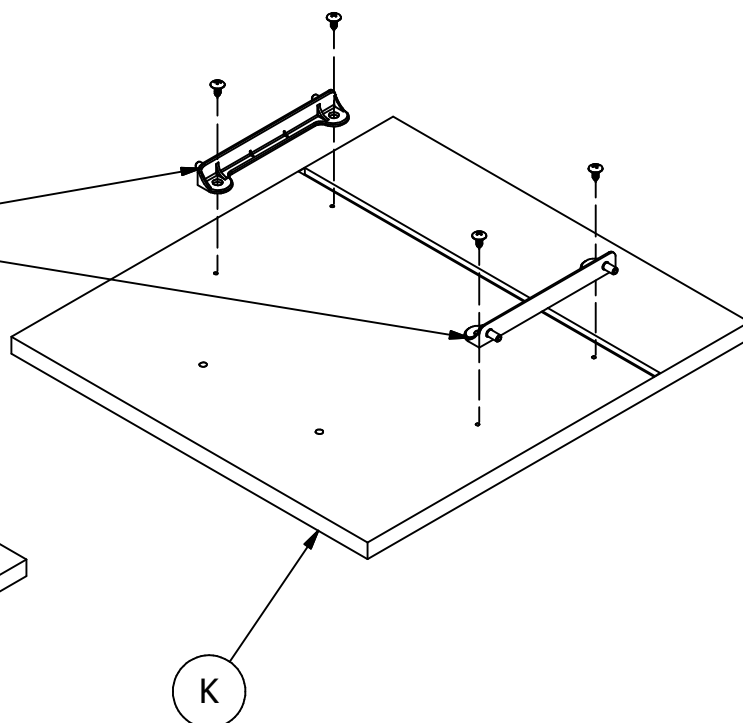
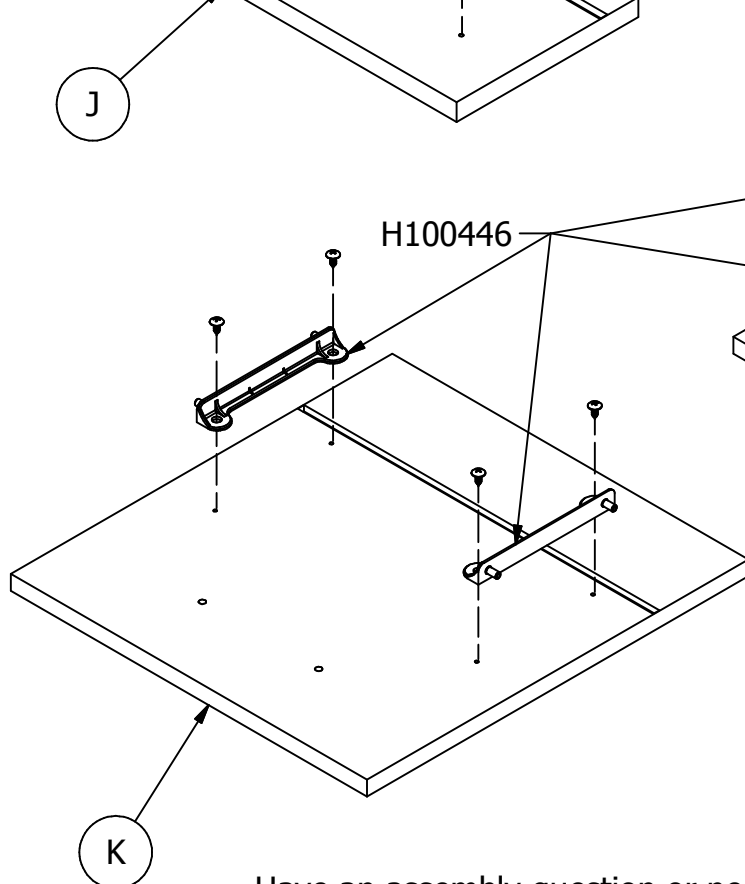
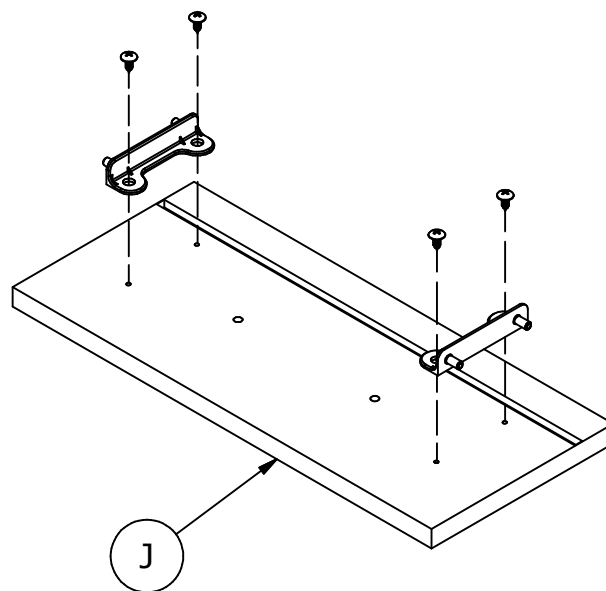
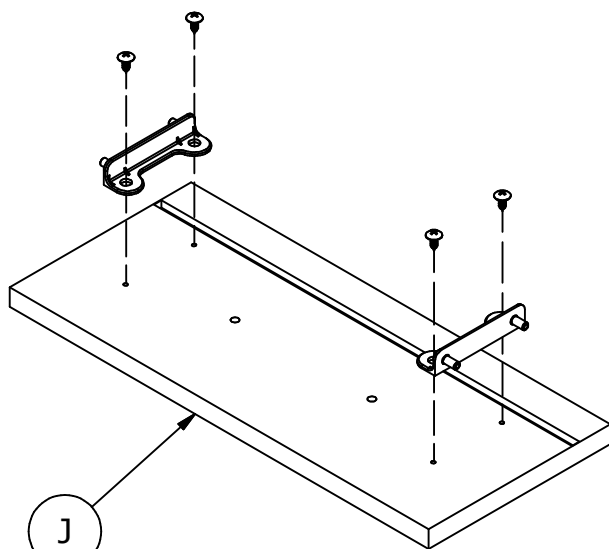
DWR Bracket

H35251



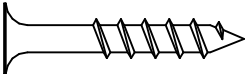
[ 16 ]


#10 x 1/2"




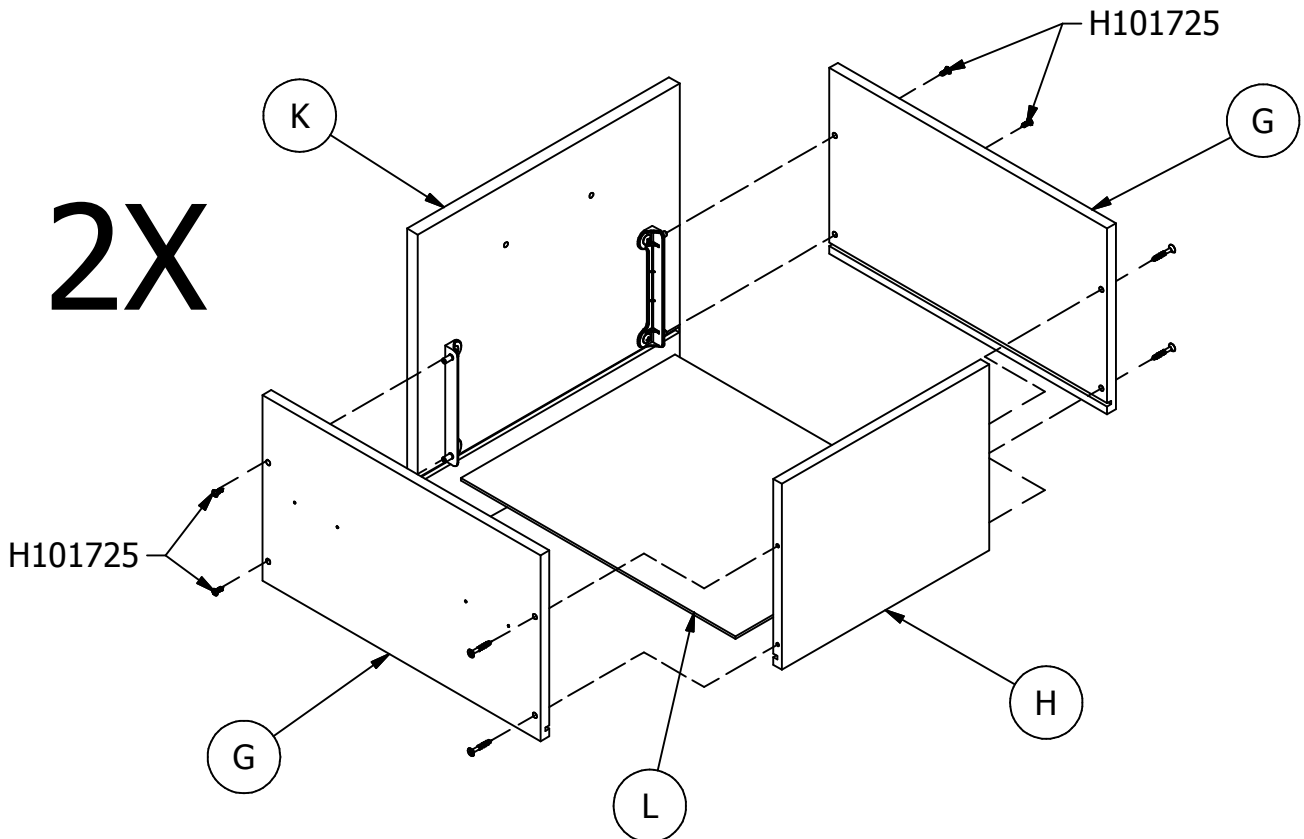
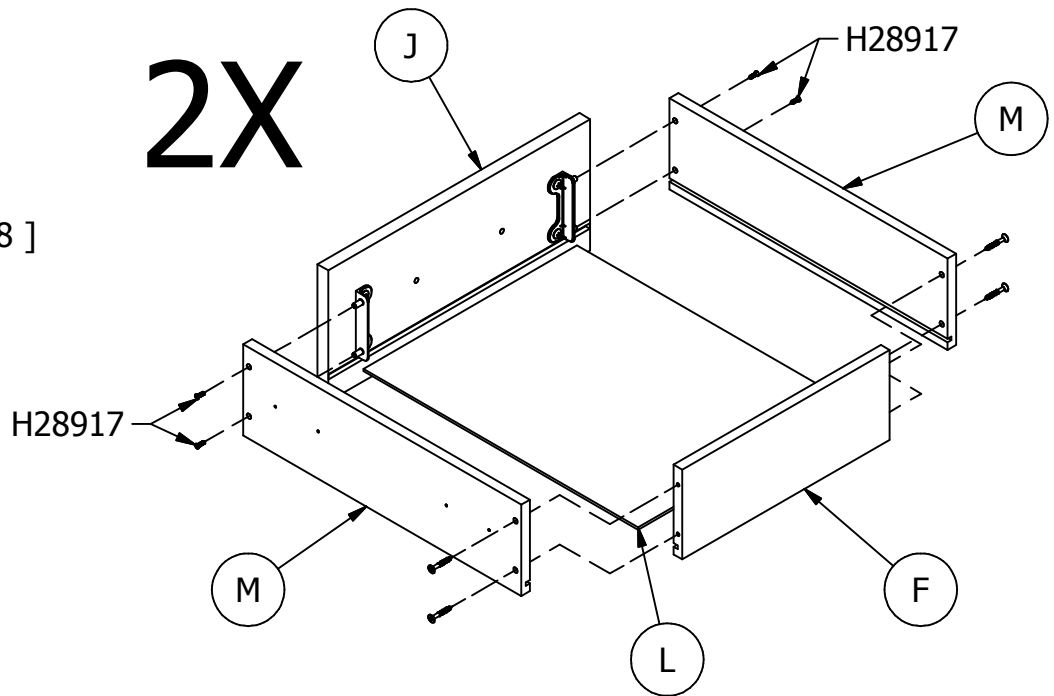
Have an assembly question or need a replacement part? Just call  
**1-800-950-4782**, we are here to help.



H26053  [ 16 ]  
#10 x 1-1/4"

H28917  [ 8 ]  
#6 x 1/2"

H101725  [ 8 ]  
#6 x 1/2"

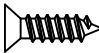


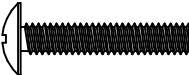
Have an assembly question or need a replacement part? Just call  
**1-800-950-4782**, we are here to help.

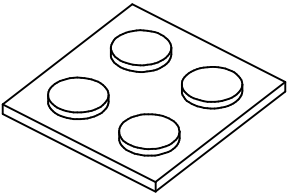
# STEP 3

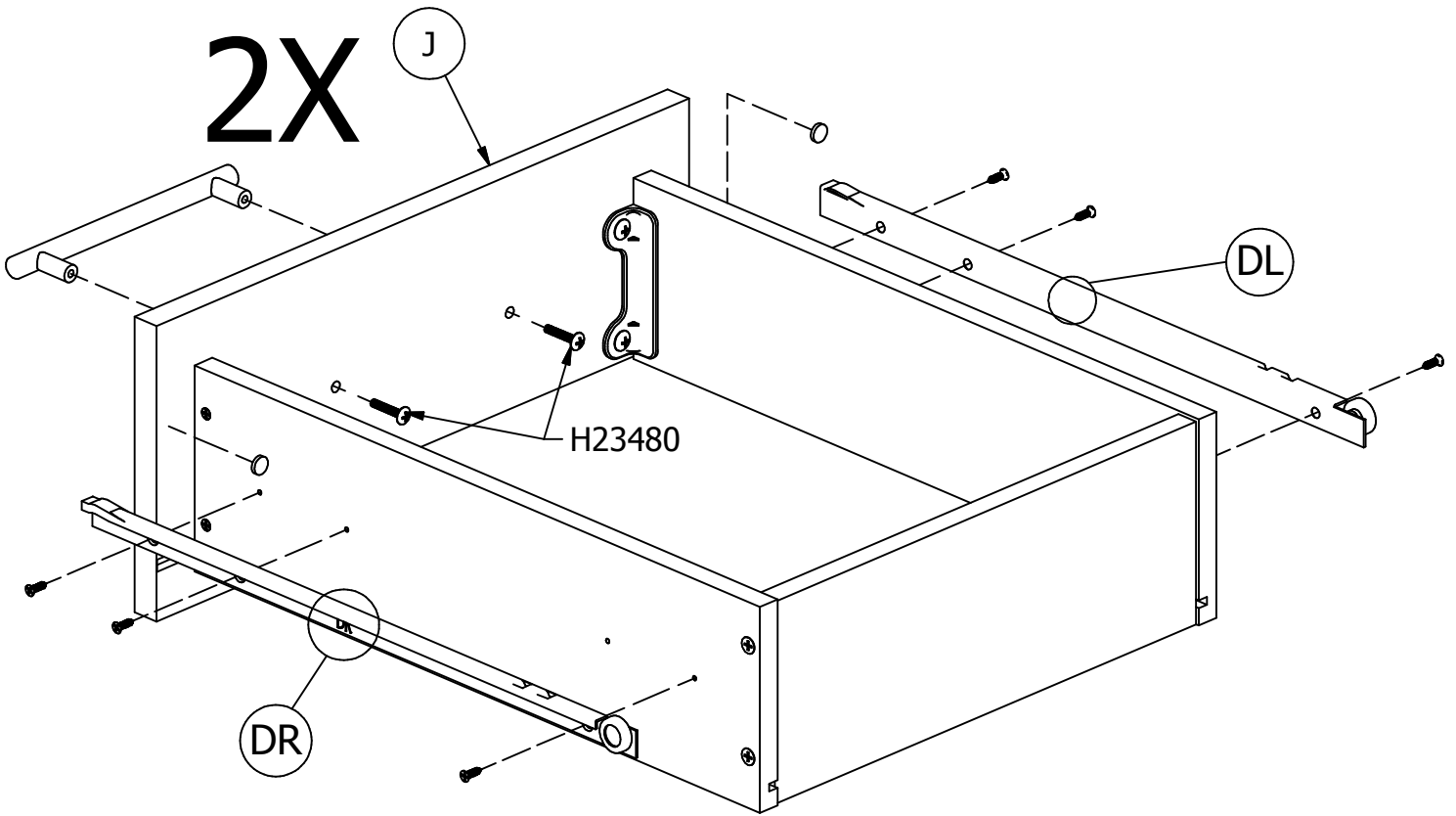
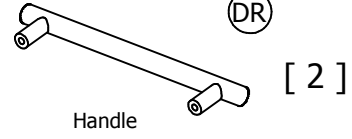
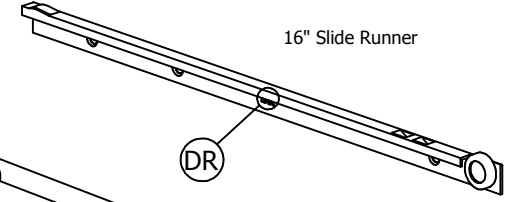
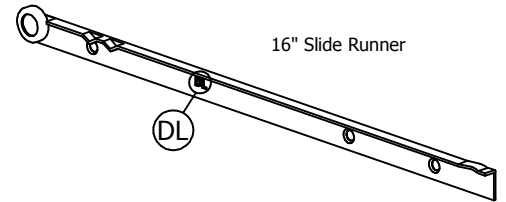
# Assemble Drawers

A186386D

H28917  [ 12 ]  
#6 x 1/2"

H23480  [ 4 ]  
#8-32 x 7/8"

H77351  [ 1 ]  
Bumper (4) per pack



Have an assembly question or need a replacement part? Just call **1-800-950-4782**, we are here to help.

Scan QR Code to Watch Video on:

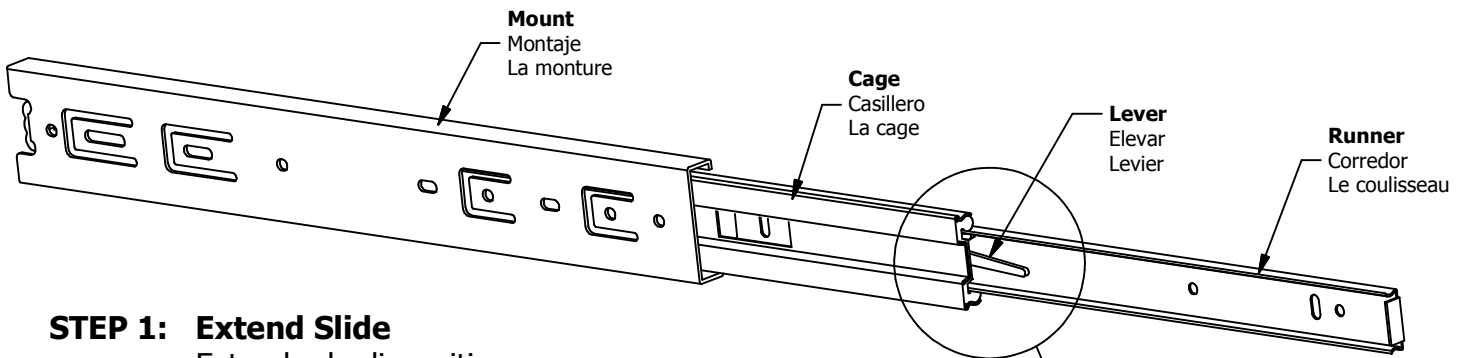


How to Separate and Install Drawer Slides

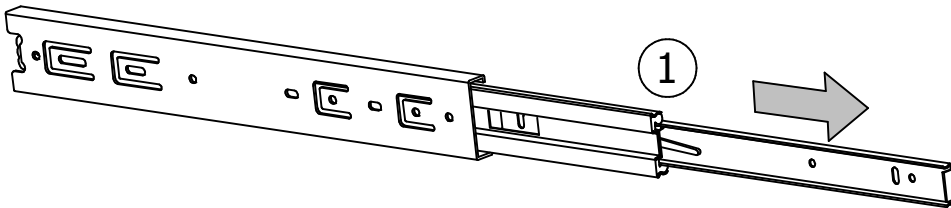
**Slides Must Be Separated Before Assembly.  
After Separated, Set Aside Until Needed for Assembly.**

Las diapositivas deben separarse antes del montaje.  
Después de la separación, déjelo a un lado hasta que sea necesario.

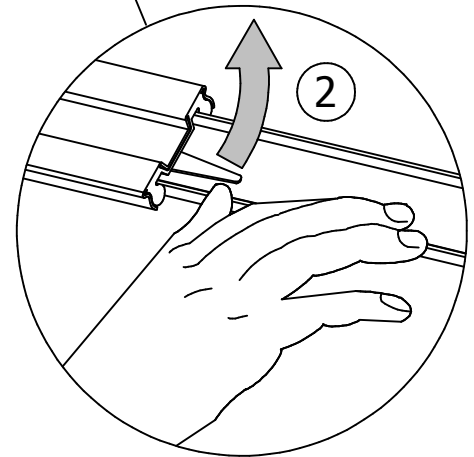
Les glissières doivent être séparées avant l'assemblage.  
Après la séparation, mettez de côté jusqu'au moment de l'assemblage.



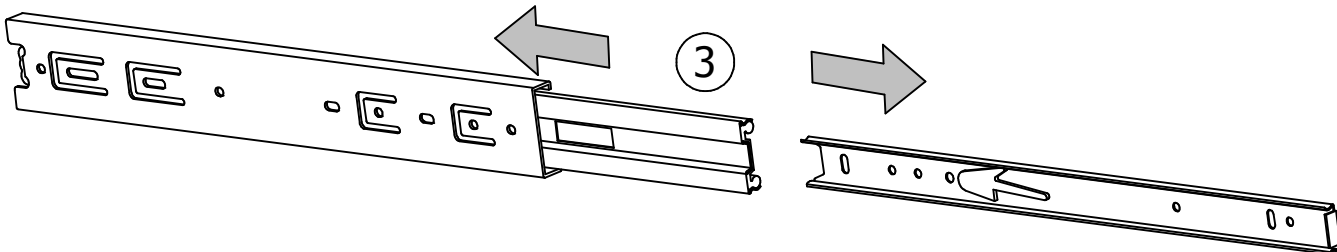
**STEP 1: Extend Slide**  
Extender la diapositiva  
Extendre la diapositive



**STEP 2: Push Lever UP**  
Empujar hacia arriba  
Lever le levier



**STEP 3: Remove Runner**  
Quitar el corredor  
Enlever le coureur



Have an assembly question or need a replacement part? Just call **1-800-950-4782**, we are here to help.

# STEP 5

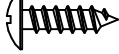
# Assemble Drawers


A186386D

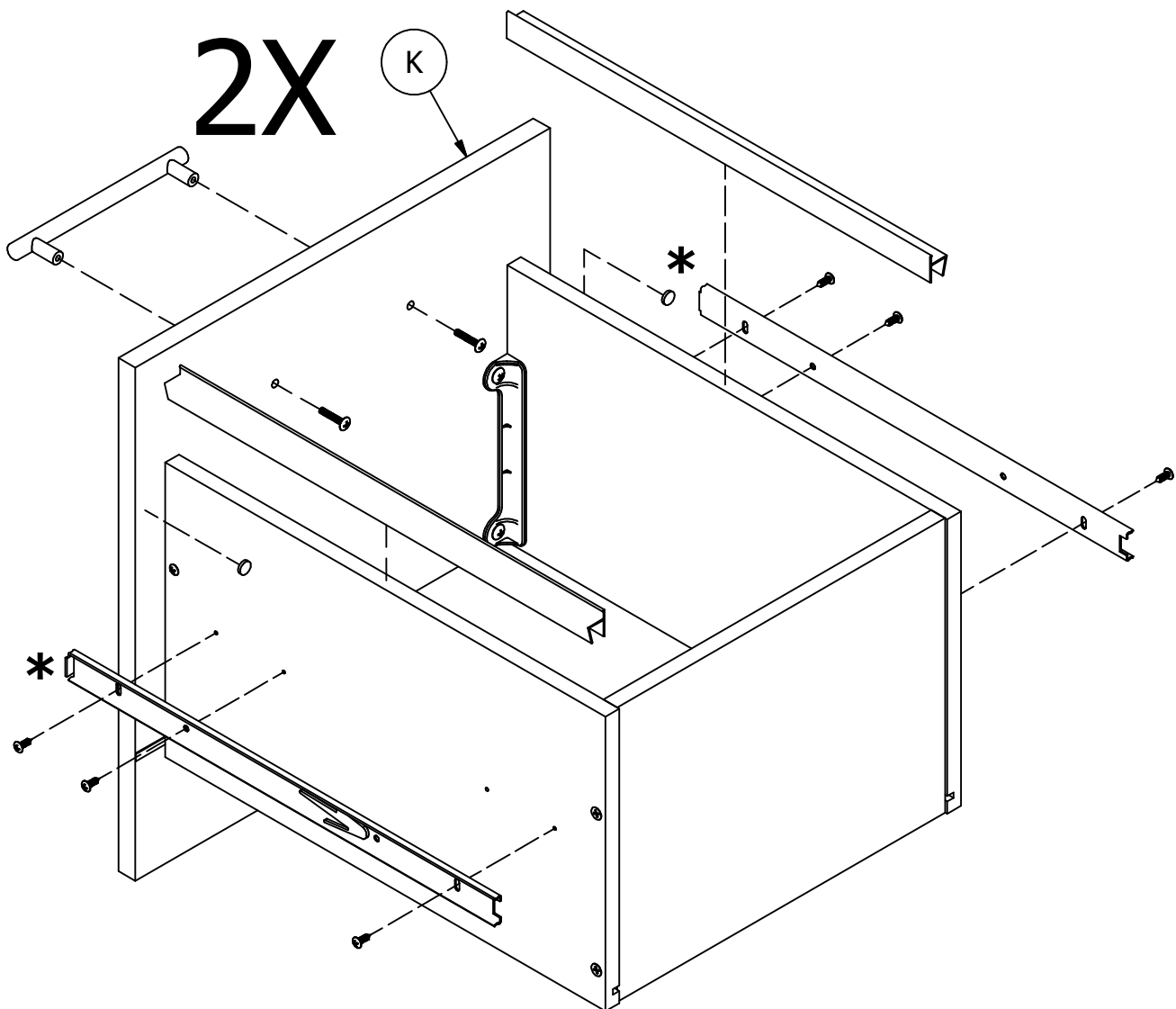
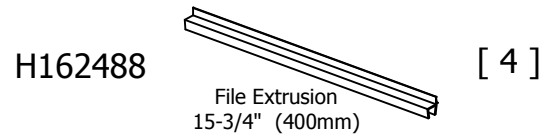
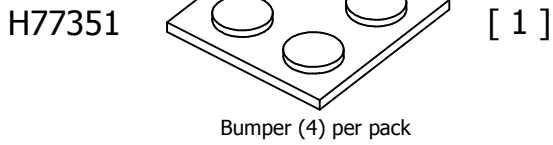
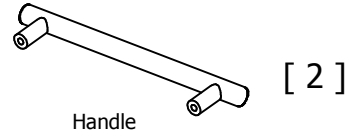
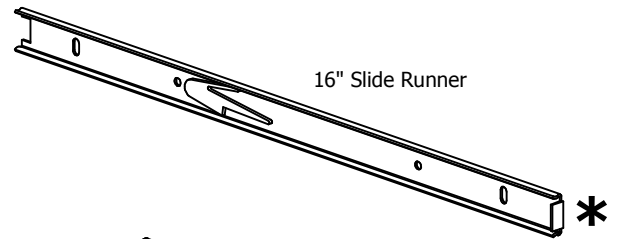
Scan QR Code to Watch Video on:



How to Separate and Install Drawer Slides

H101725  [ 12 ]  
#6 x 1/2"

H23480  [ 4 ]  
#8-32 x 7/8"



Have an assembly question or need a replacement part? Just call **1-800-950-4782**, we are here to help.

# STEP 6


## Prepare Pedestal Sides


A186386D


Scan QR Code to Watch Video on:

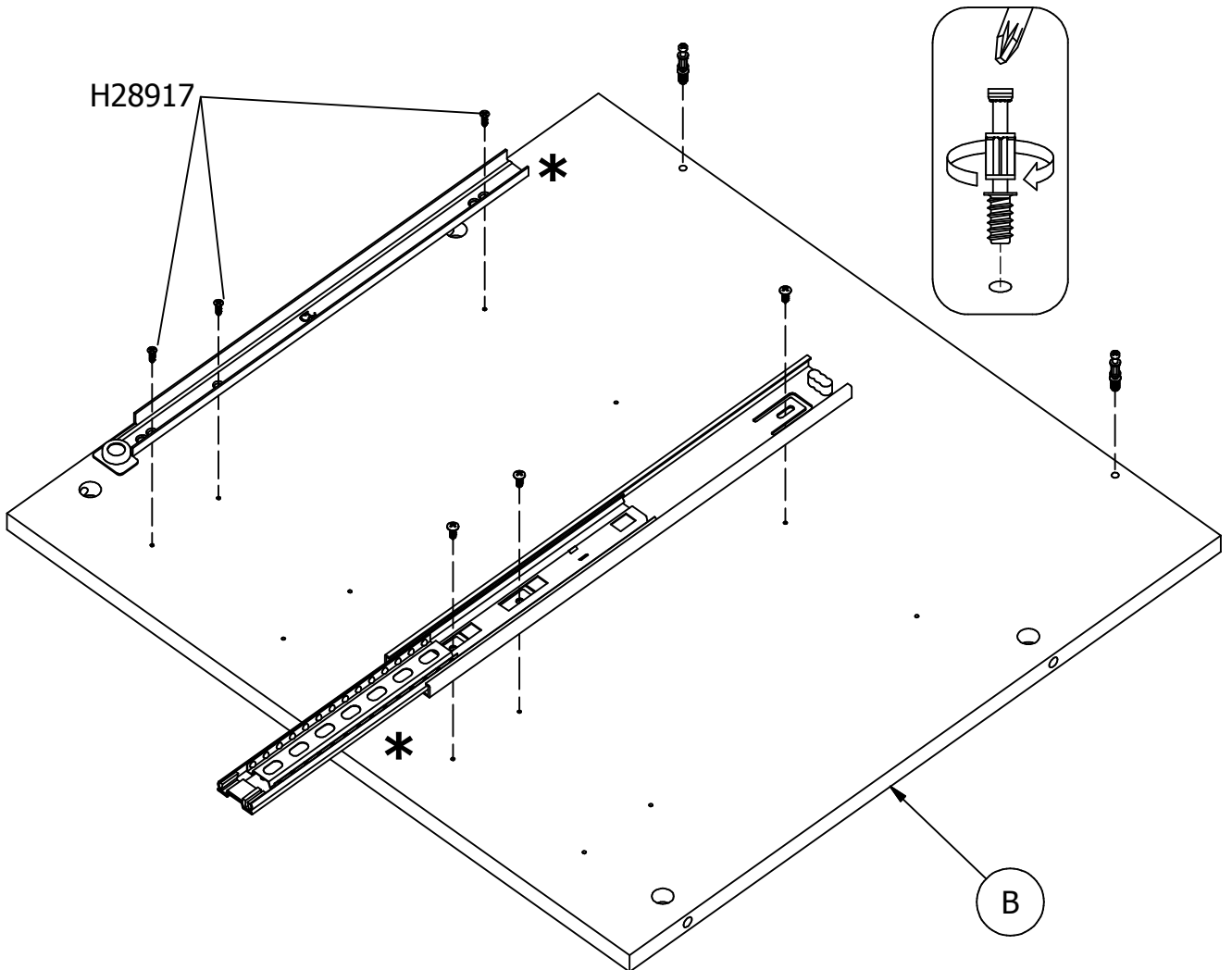
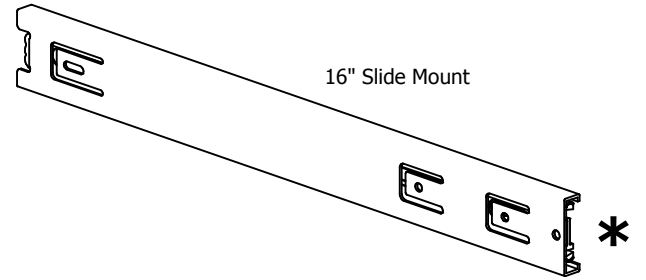
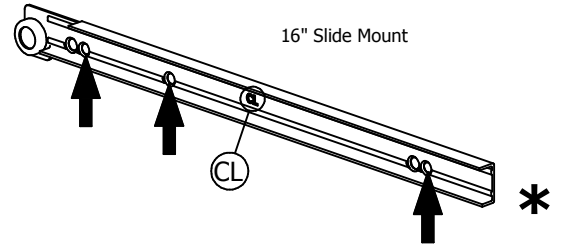


How to Separate and Install Drawer Slides

H28917  [ 3 ]  
#6 x 1/2"

H101725  [ 3 ]  
#6 x 1/2"

H72988  [ 2 ]  
KD Bolt



Have an assembly question or need a replacement part? Just call **1-800-950-4782**, we are here to help.

# STEP 7

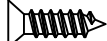
## Prepare Pedestal Sides


A186386D


Scan QR Code to Watch Video on:

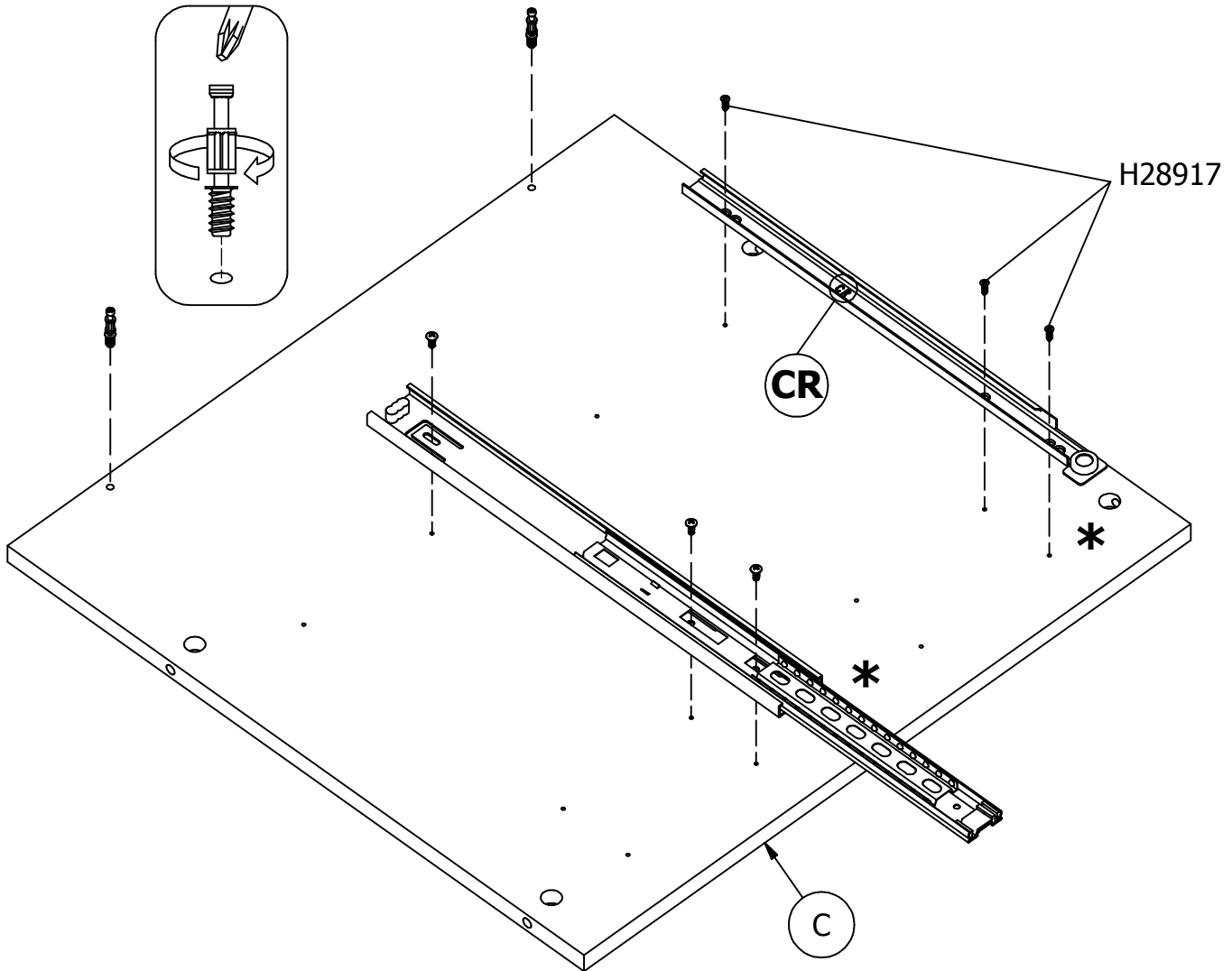
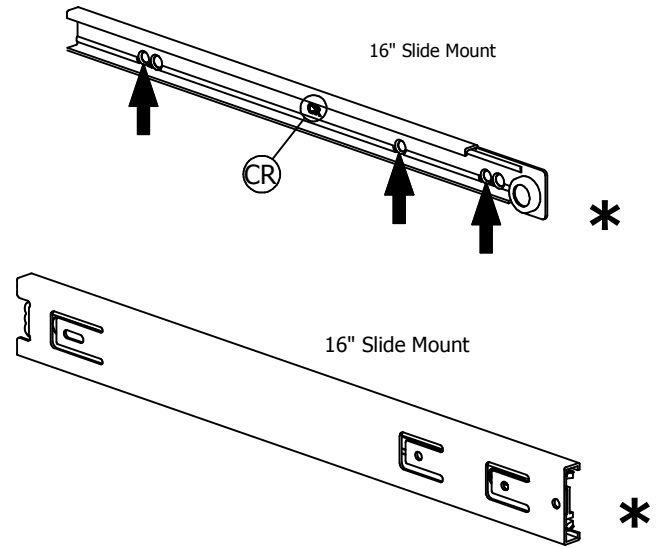


How to Separate and Install Drawer Slides

H28917  [ 3 ]  
#6 x 1/2"

H101725  [ 3 ]  
#6 x 1/2"

H72988  [ 2 ]  
KD Bolt

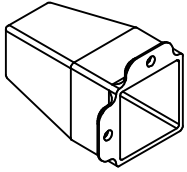


Have an assembly question or need a replacement part? Just call **1-800-950-4782**, we are here to help.

# STEP 8

# Assemble Pedestal Base

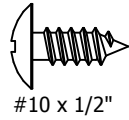
A186386D



[ 4 ]

Foot

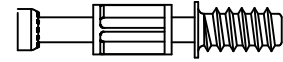
H35251



[ 8 ]

#10 x 1/2"

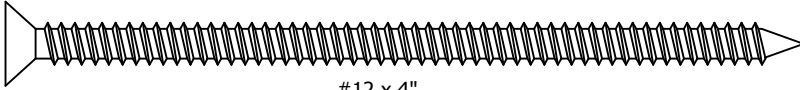
H72988



[ 5 ]

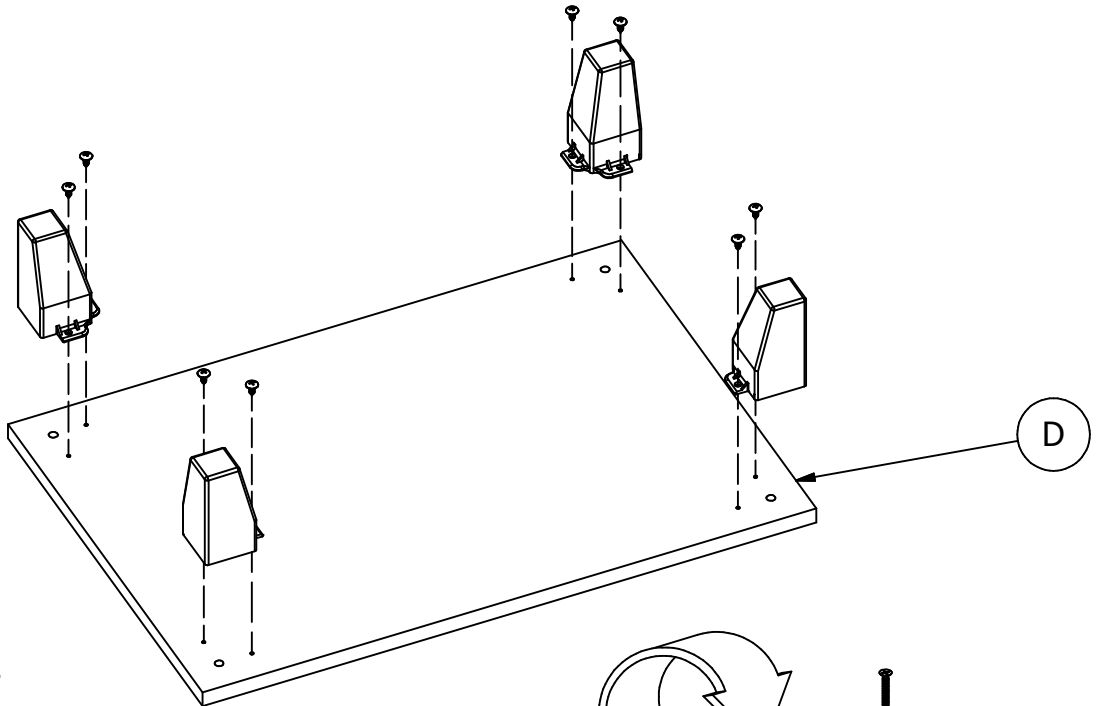
KD Bolt

H143460

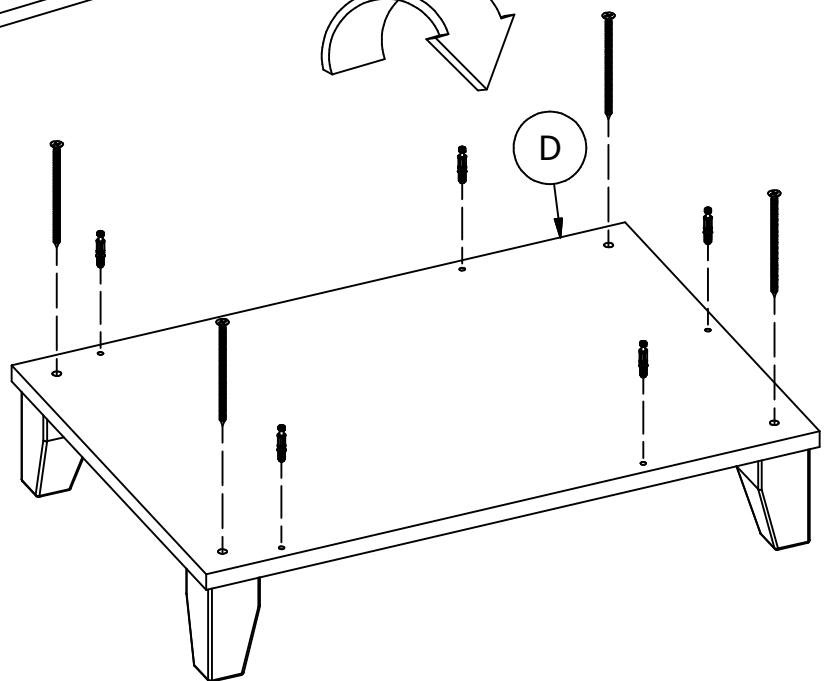
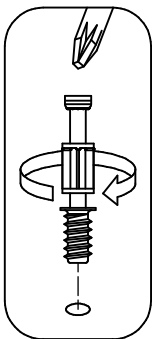


[ 4 ]

#12 x 4"



Flip panel over  
Voltear el panel  
Retournez le panneau



Have an assembly question or need a replacement part? Just call  
**1-800-950-4782**, we are here to help.

# STEP 9

# Assemble Pedestal

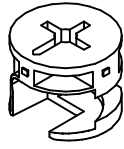
A186386D

Scan QR Code to Watch Video on:



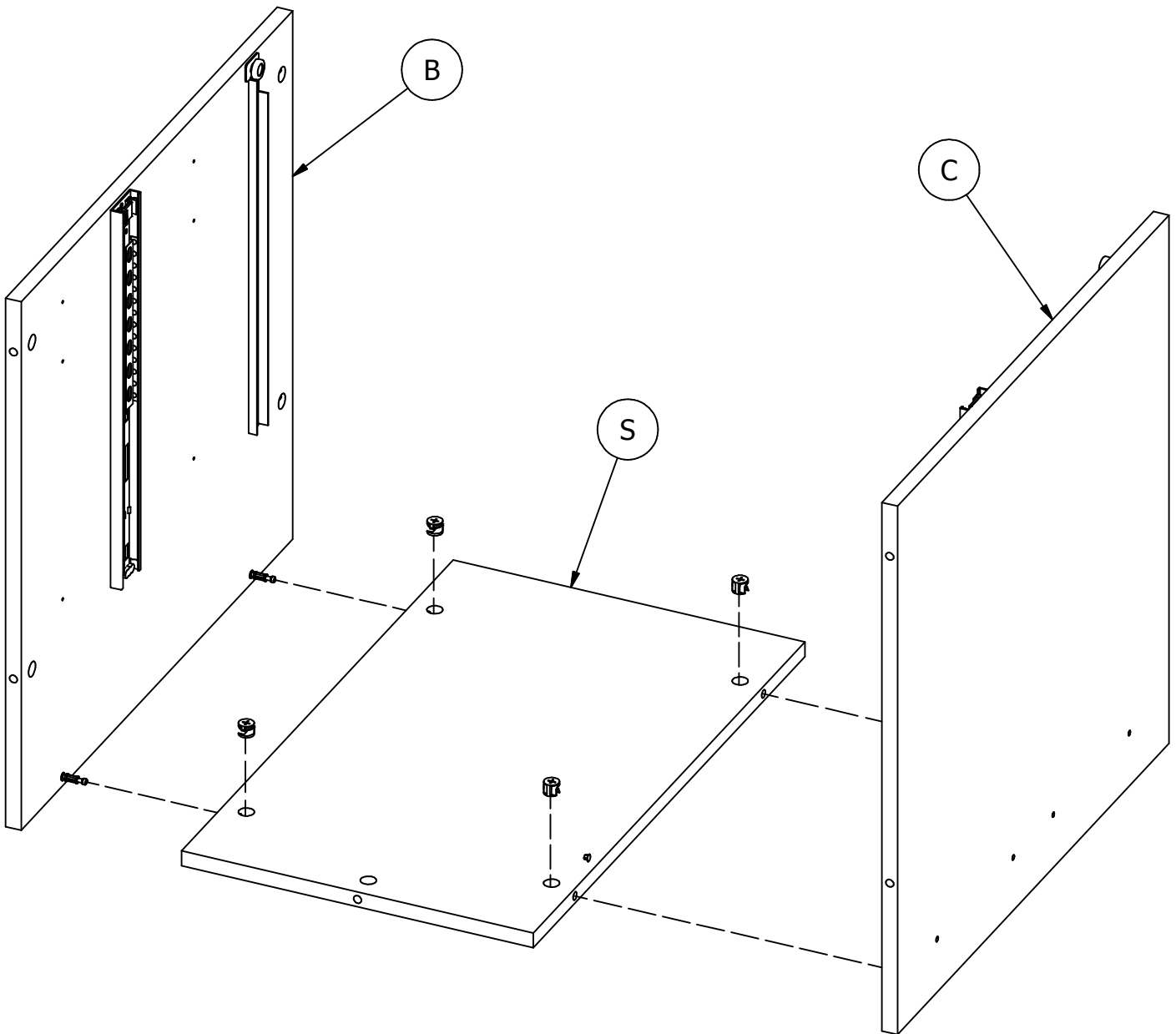
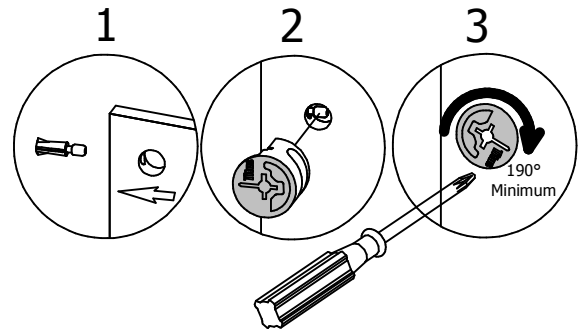
How to Tighten KD Cams

H71659



KD Cam

[ 4 ]



Have an assembly question or need a replacement part? Just call **1-800-950-4782**, we are here to help.

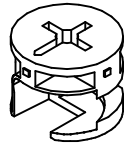


Scan QR Code to Watch Video on:



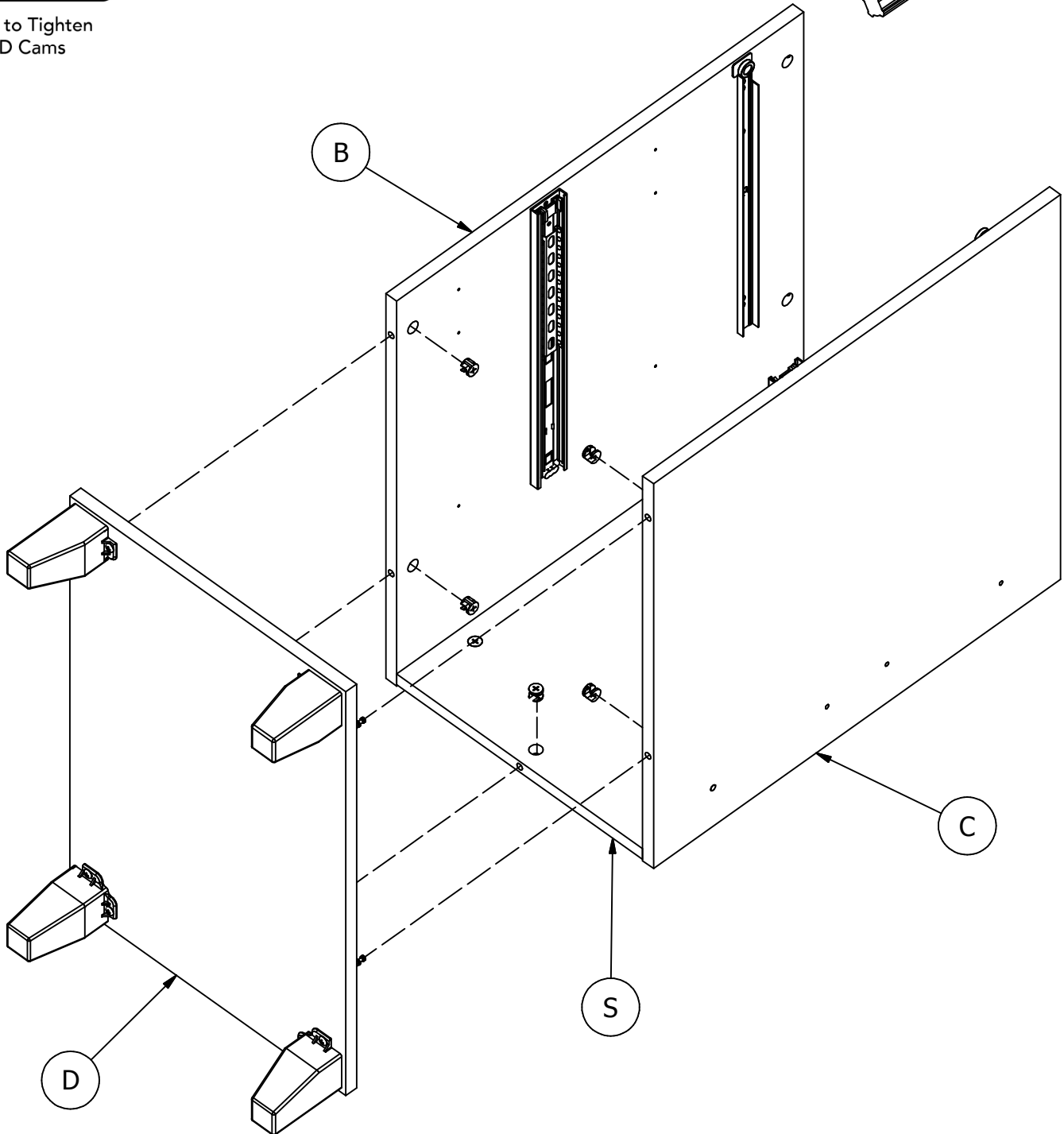
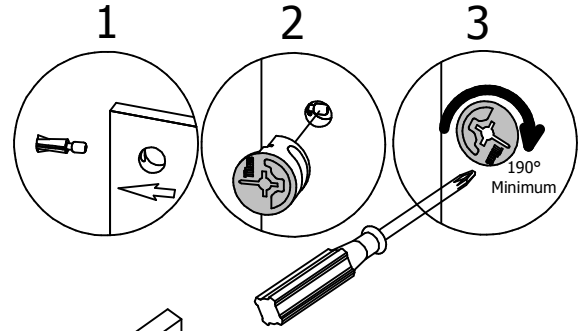
How to Tighten KD Cams

H71659



KD Cam

[ 5 ]



Have an assembly question or need a replacement part? Just call **1-800-950-4782**, we are here to help.

# STEP 11


## Prepare Pedestal Sides


A186386D

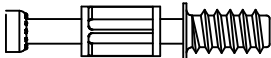
Scan QR Code to Watch Video on:

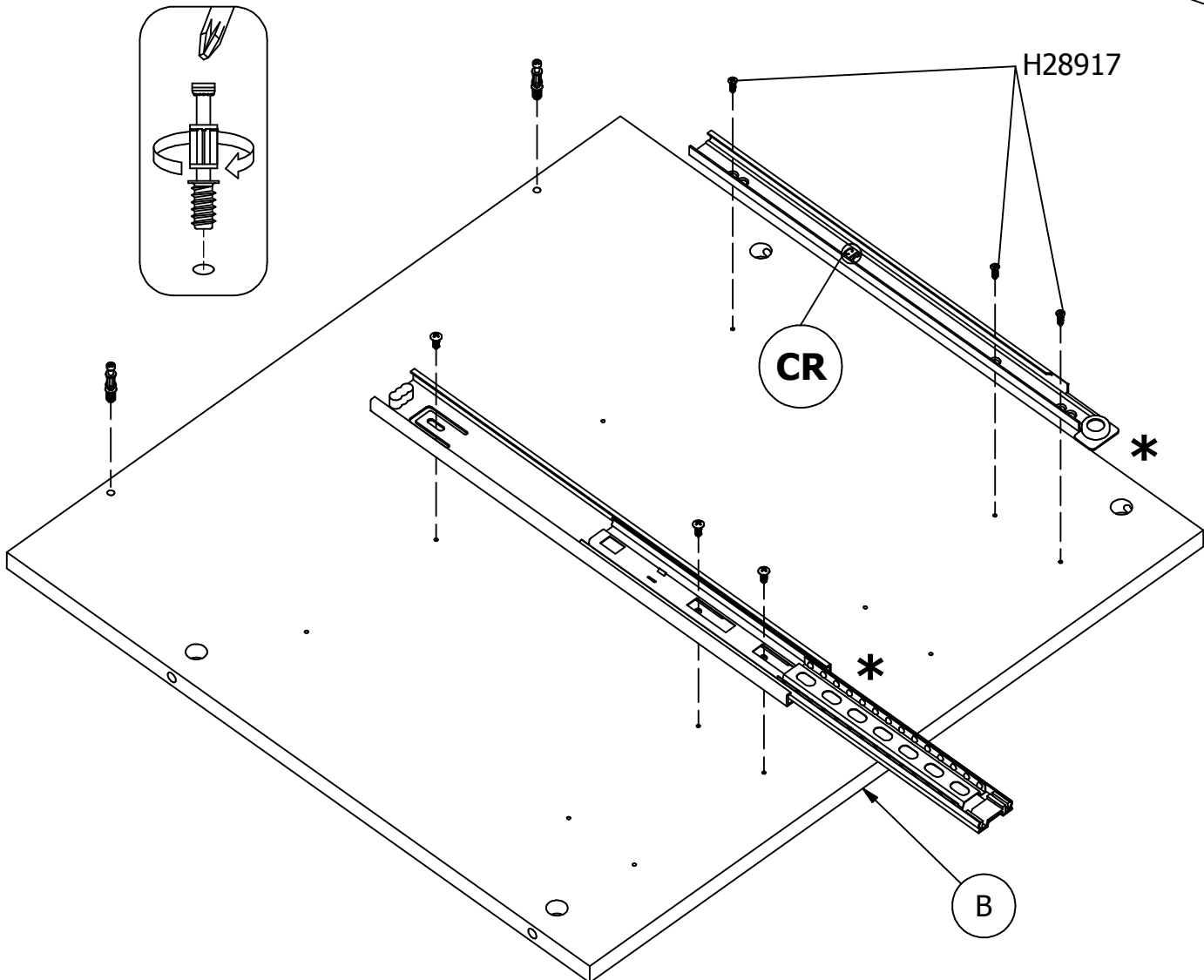
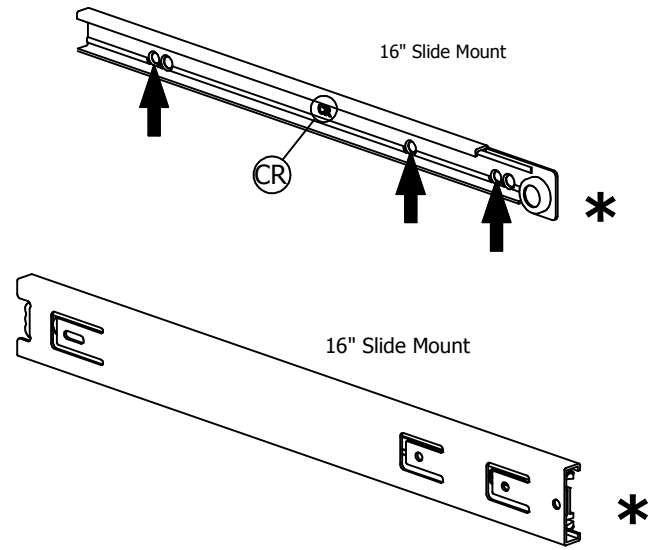


How to Separate and Install Drawer Slides

H28917  [ 3 ]  
#6 x 1/2"

H101725  [ 3 ]  
#6 x 1/2"

H72988  [ 2 ]  
KD Bolt



Have an assembly question or need a replacement part? Just call **1-800-950-4782**, we are here to help.

# STEP 12


## Prepare Pedestal Sides


A186386D

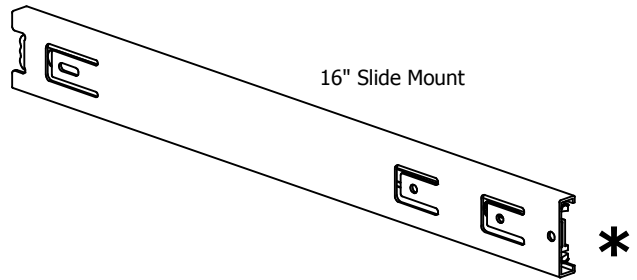
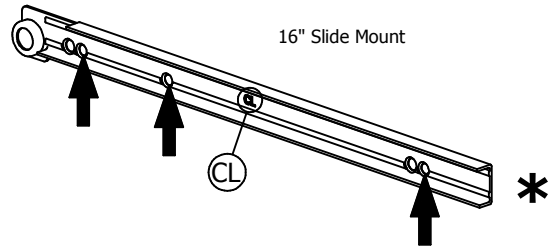
Scan QR Code to Watch Video on:

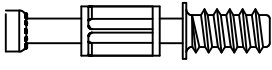


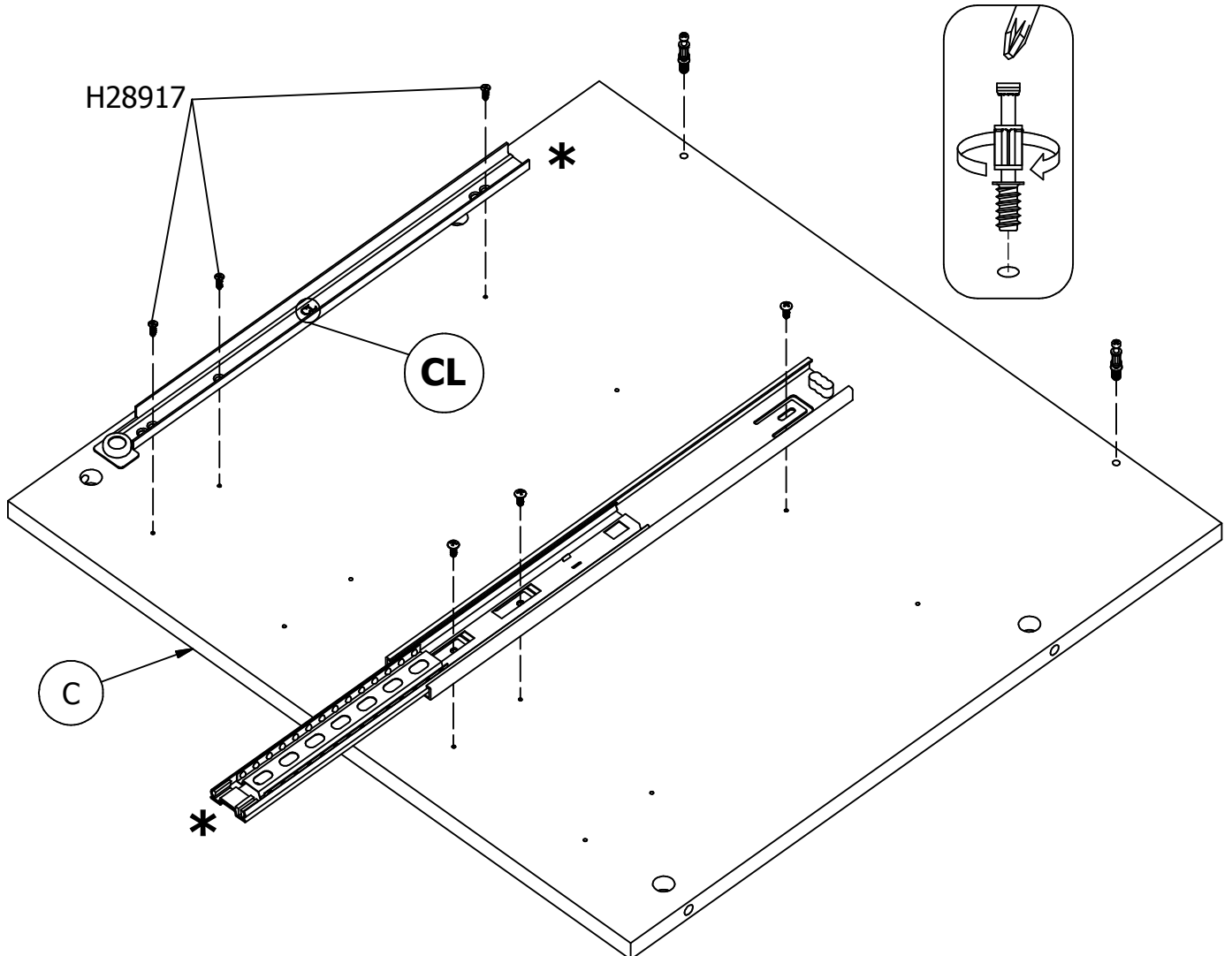
How to Separate and Install Drawer Slides

H28917  [ 3 ]  
#6 x 1/2"

H101725  [ 3 ]  
#6 x 1/2"



H72988  [ 2 ]  
KD Bolt

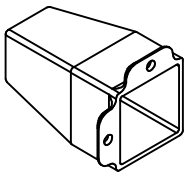


Have an assembly question or need a replacement part? Just call **1-800-950-4782**, we are here to help.

# STEP 13

# Assemble Pedestal Base

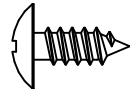
A186386D



[ 4 ]

Foot

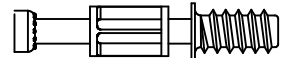
H35251



[ 8 ]

#10 x 1/2"

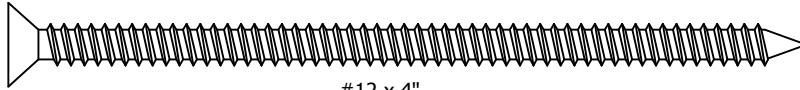
H72988



[ 5 ]

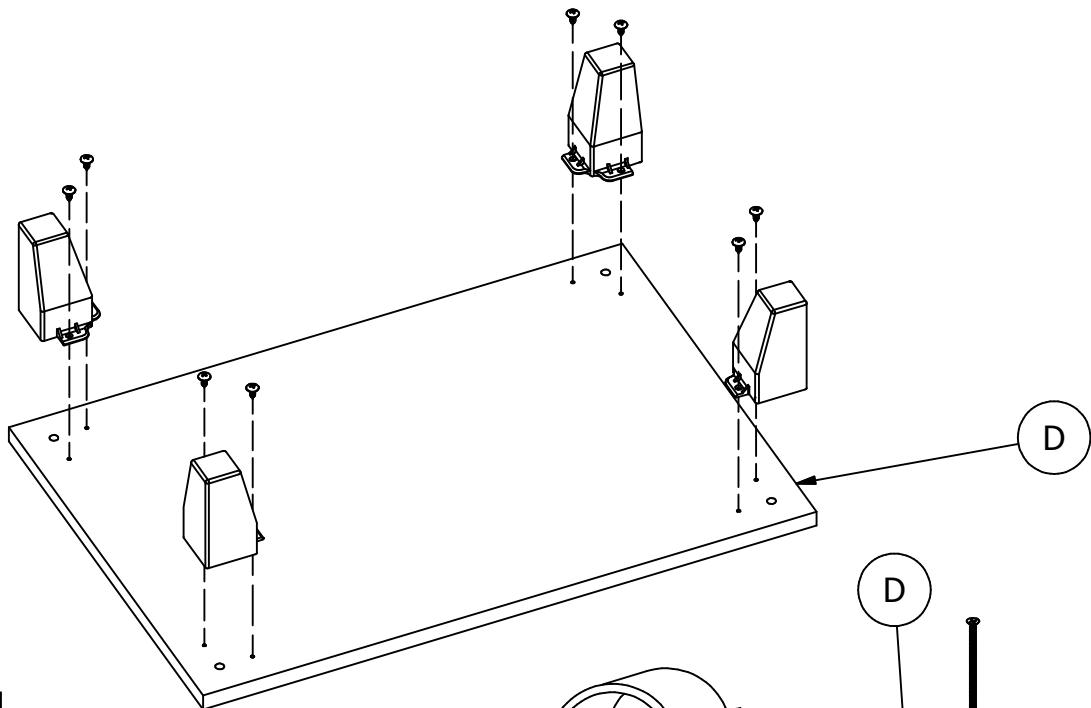
KD Bolt

H143460

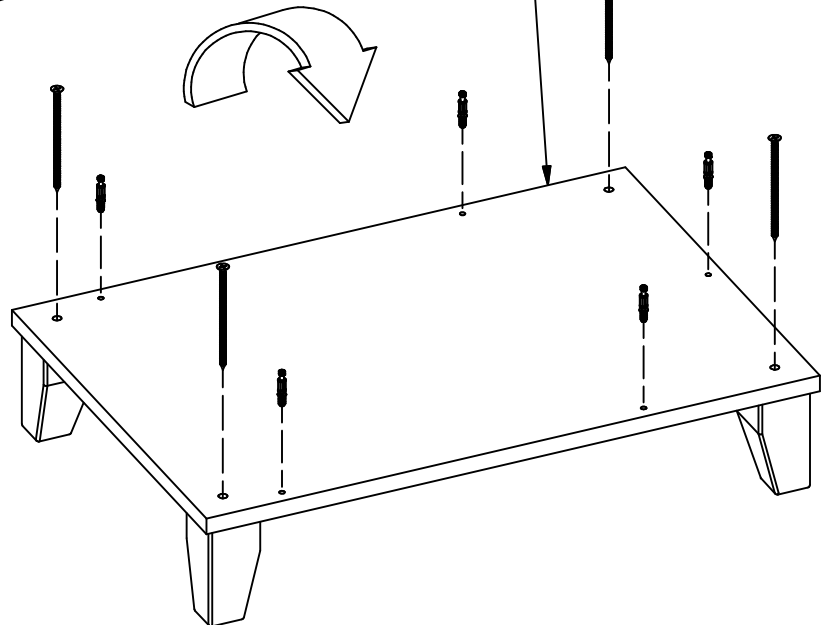
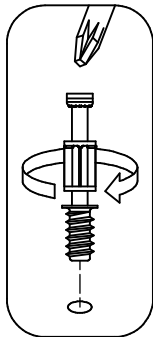


[ 4 ]

#12 x 4"



Flip panel over  
Voltear el panel  
Retournez le panneau



Have an assembly question or need a replacement part? Just call  
**1-800-950-4782**, we are here to help.

# STEP 14

# Assemble Pedestal

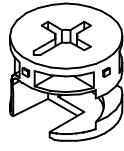
A186386D

Scan QR Code to Watch Video on:



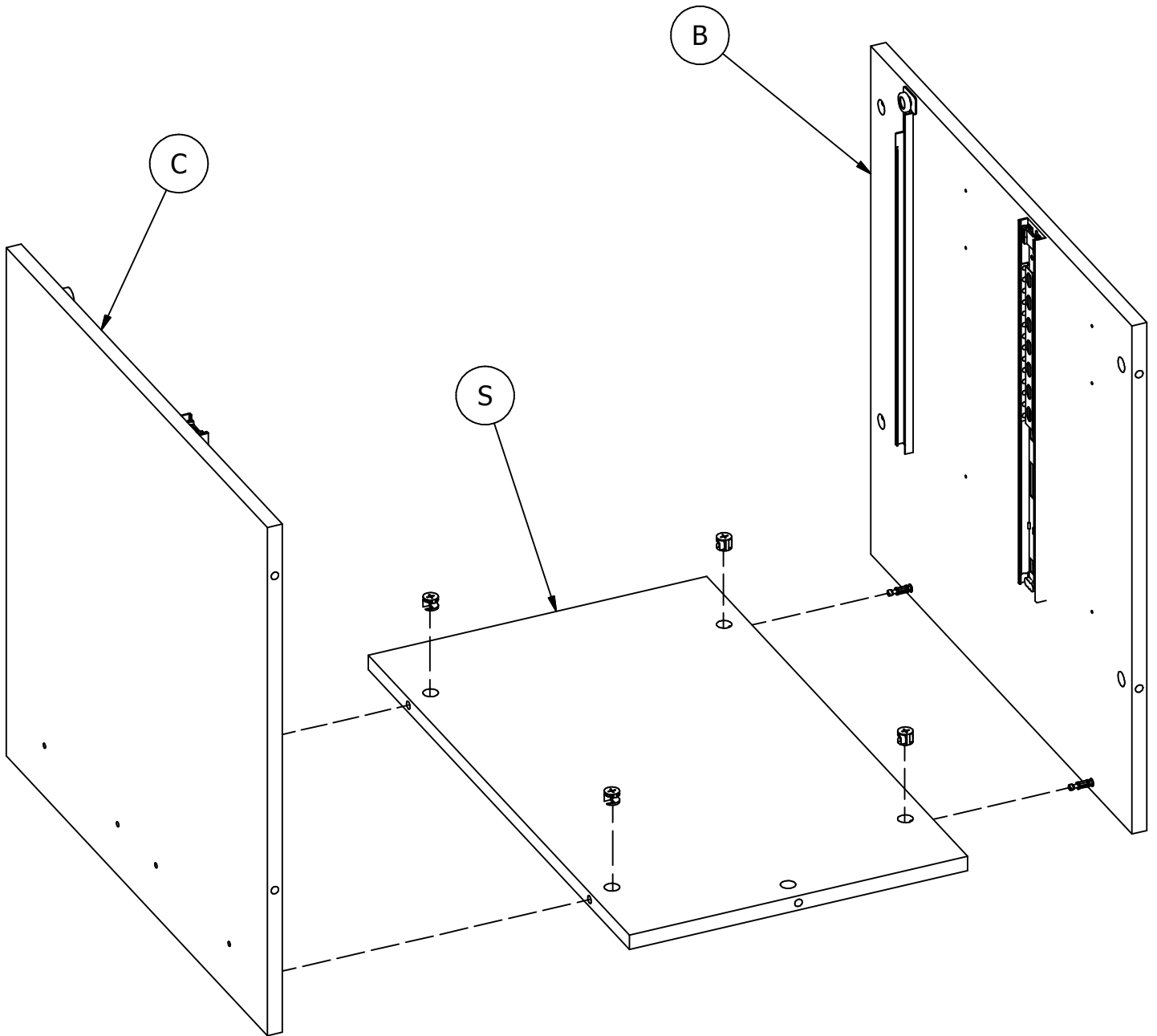
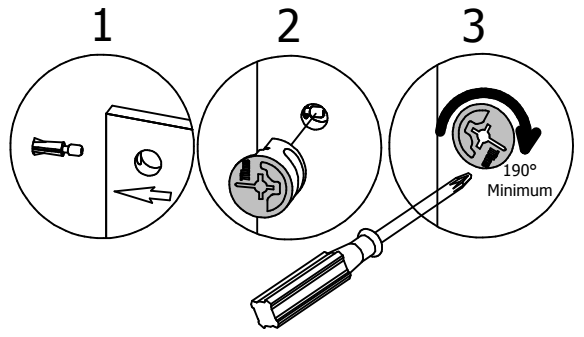
How to Tighten KD Cams

H71659



KD Cam

[ 4 ]



Have an assembly question or need a replacement part? Just call **1-800-950-4782**, we are here to help.

# STEP 15

# Assemble Pedestal

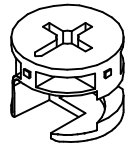
A186386D

Scan QR Code to Watch Video on:



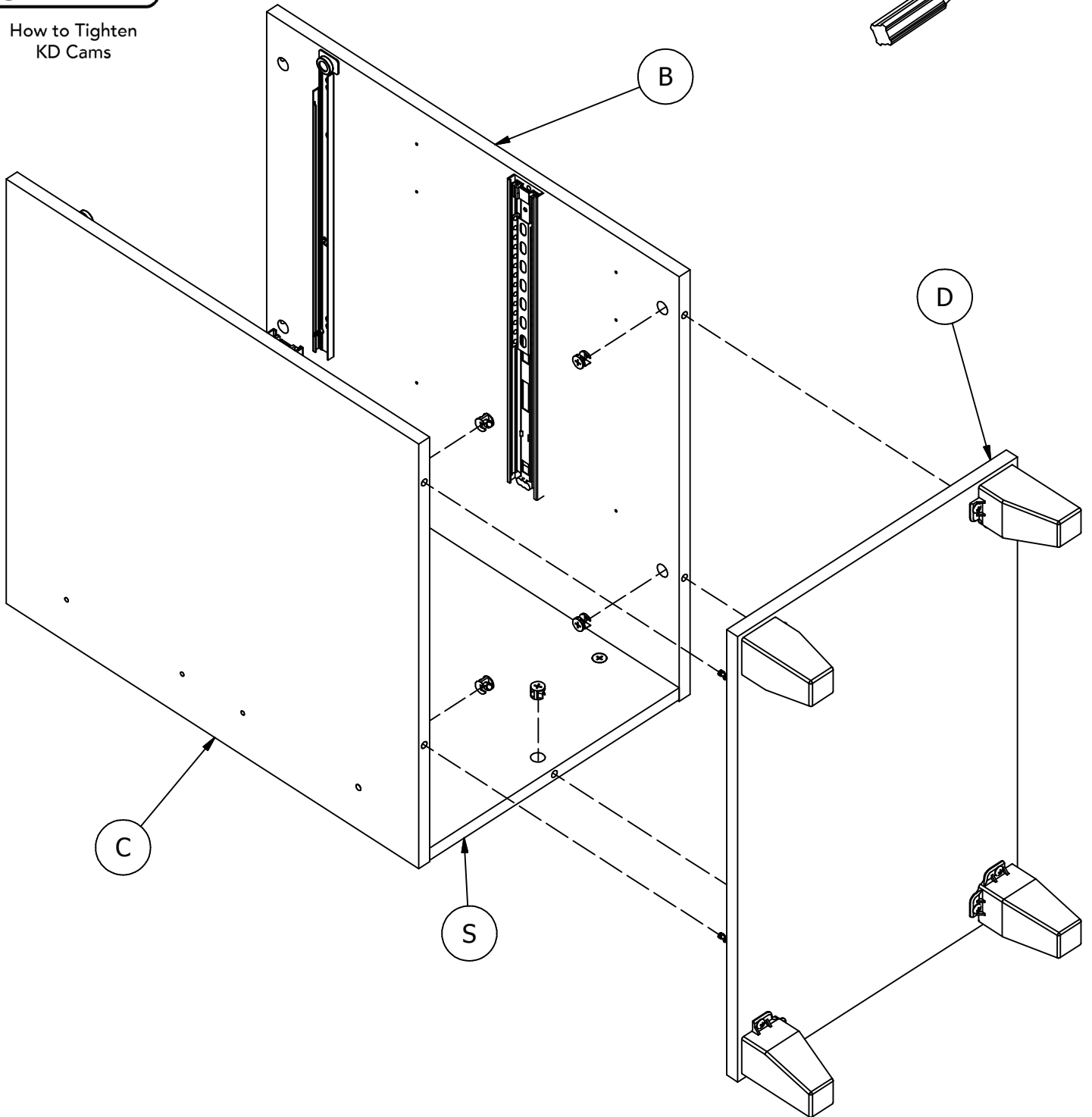
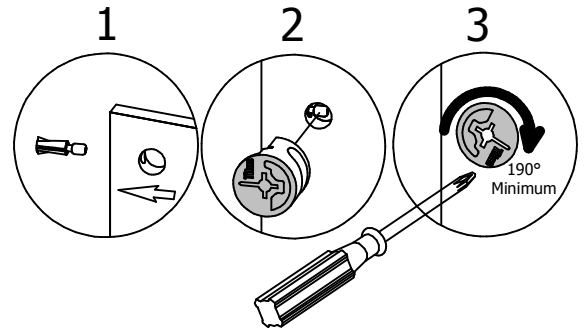
How to Tighten KD Cams

H71659



KD Cam

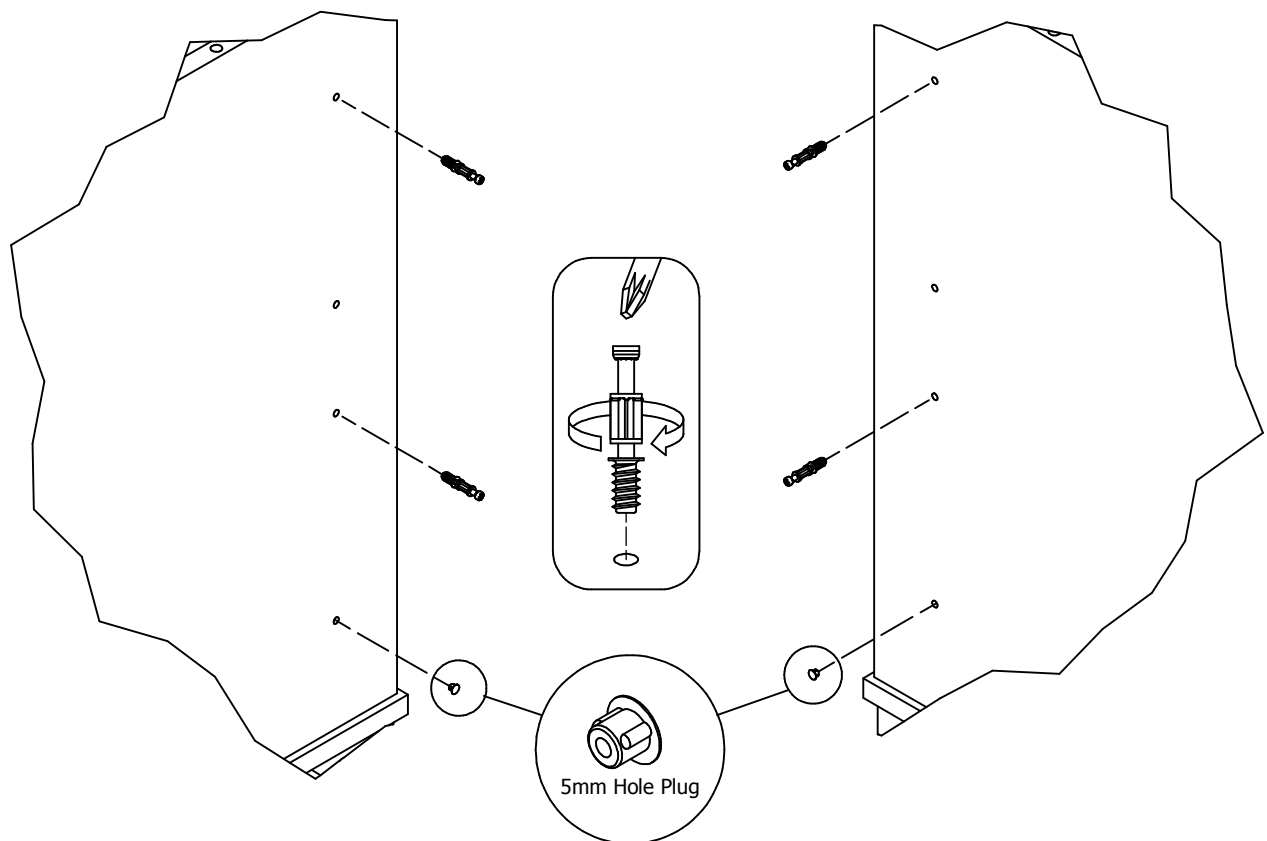
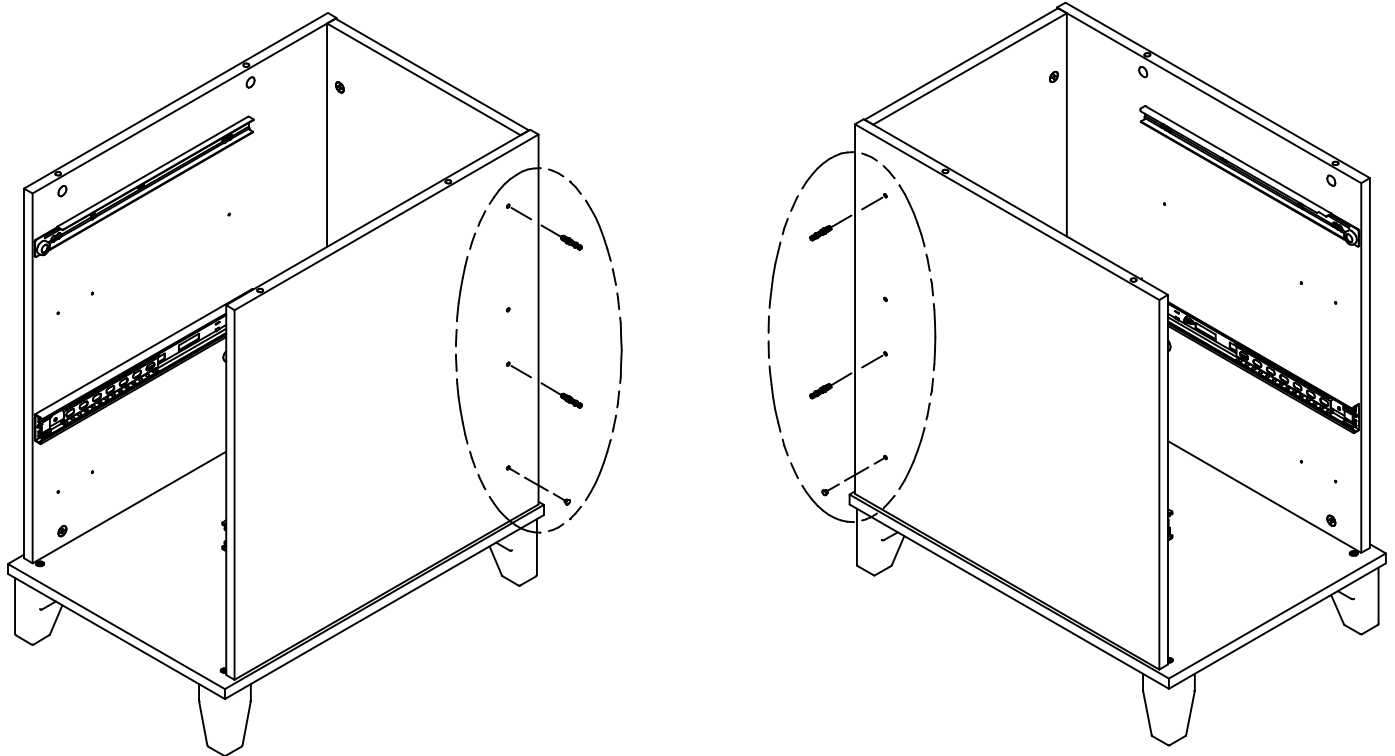
[ 5 ]



Have an assembly question or need a replacement part? Just call **1-800-950-4782**, we are here to help.

H72988 [ 4 ]  
KD Bolt

[ 2 ]  
5mm Hole Plug



Have an assembly question or need a replacement part? Just call **1-800-950-4782**, we are here to help.

# STEP 17

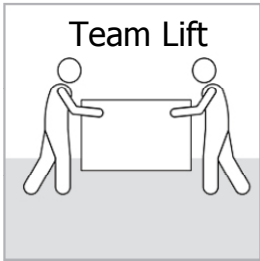
## Assemble Modesty Panel

A186386D

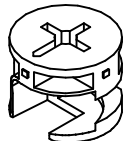
Scan QR Code to Watch Video on:



How to Tighten KD Cams

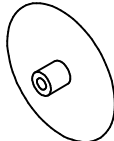


H71659



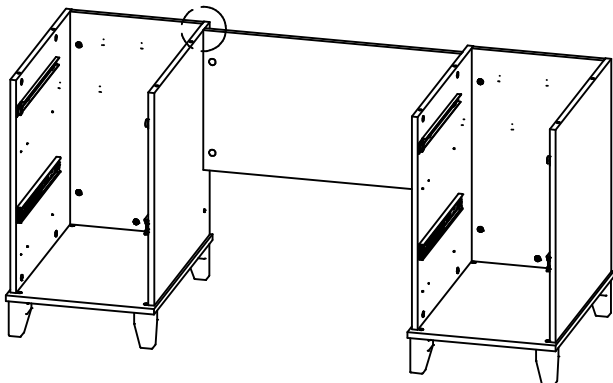
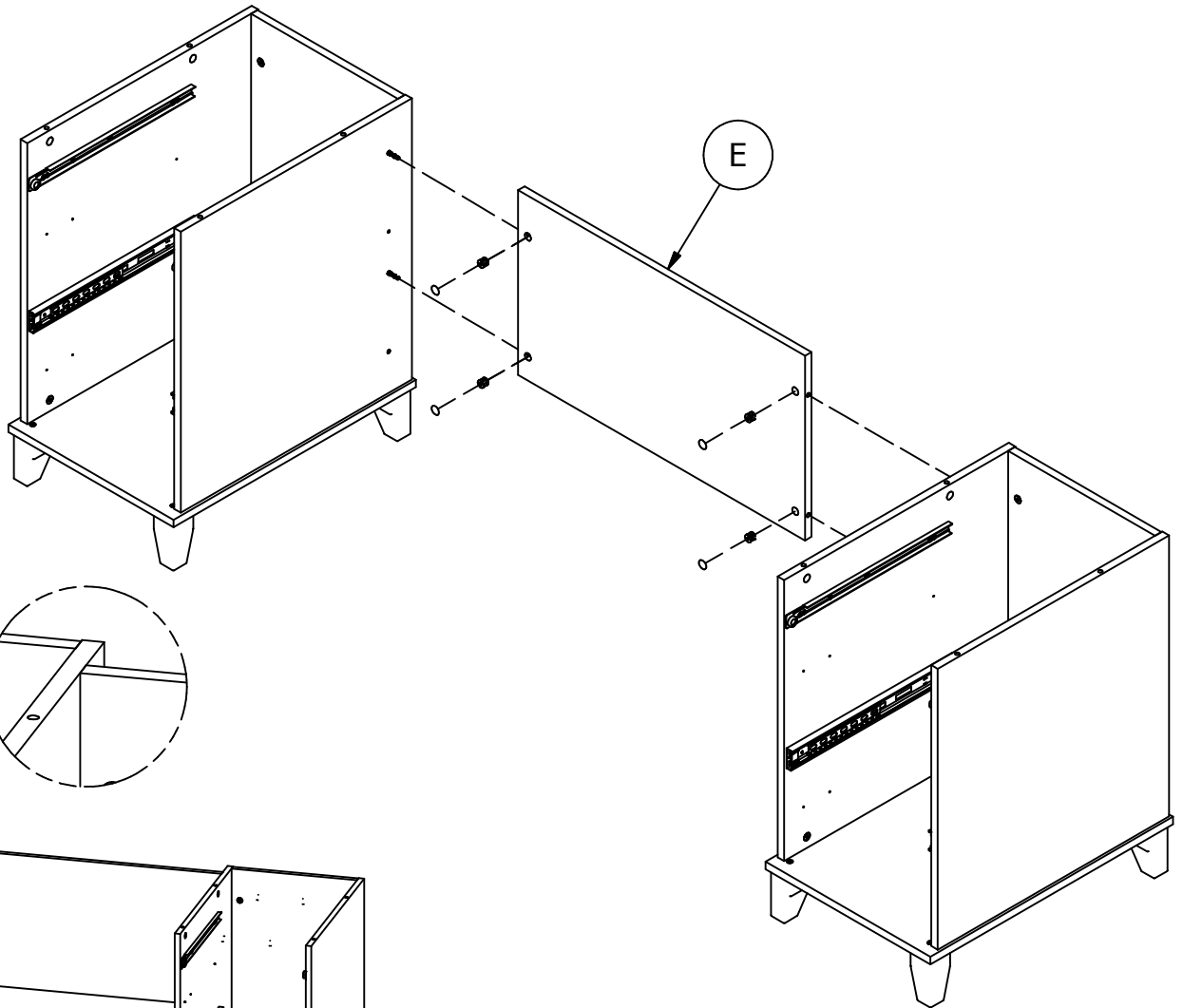
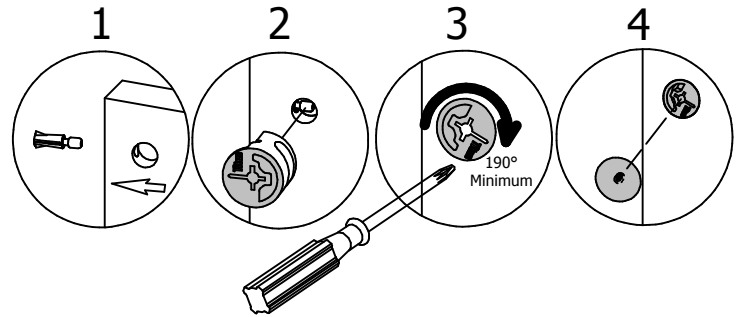
KD Cam

[ 4 ]



Cover Cap

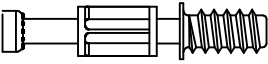
[ 4 ]

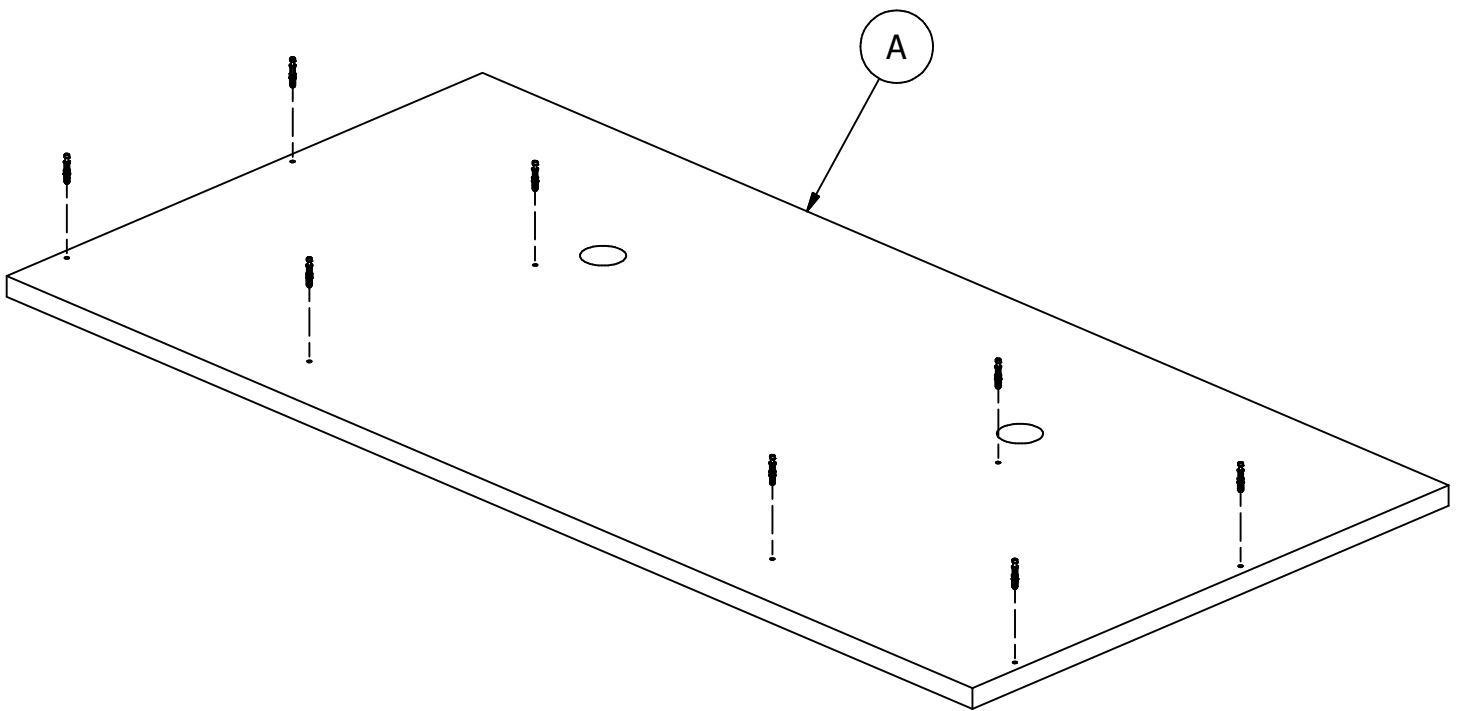
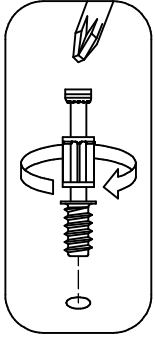


Finished view

Have an assembly question or need a replacement part? Just call **1-800-950-4782**, we are here to help.



H72988  [ 8 ]  
KD Bolt



Have an assembly question or need a replacement part? Just call  
**1-800-950-4782**, we are here to help.

# STEP 19

# Assemble Work Surface

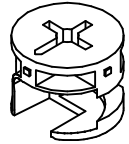
A186386D

Scan QR Code to Watch Video on:



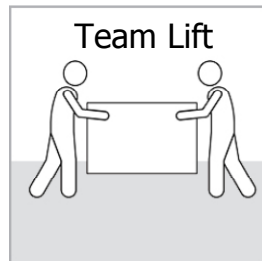
How to Tighten KD Cams

H71659

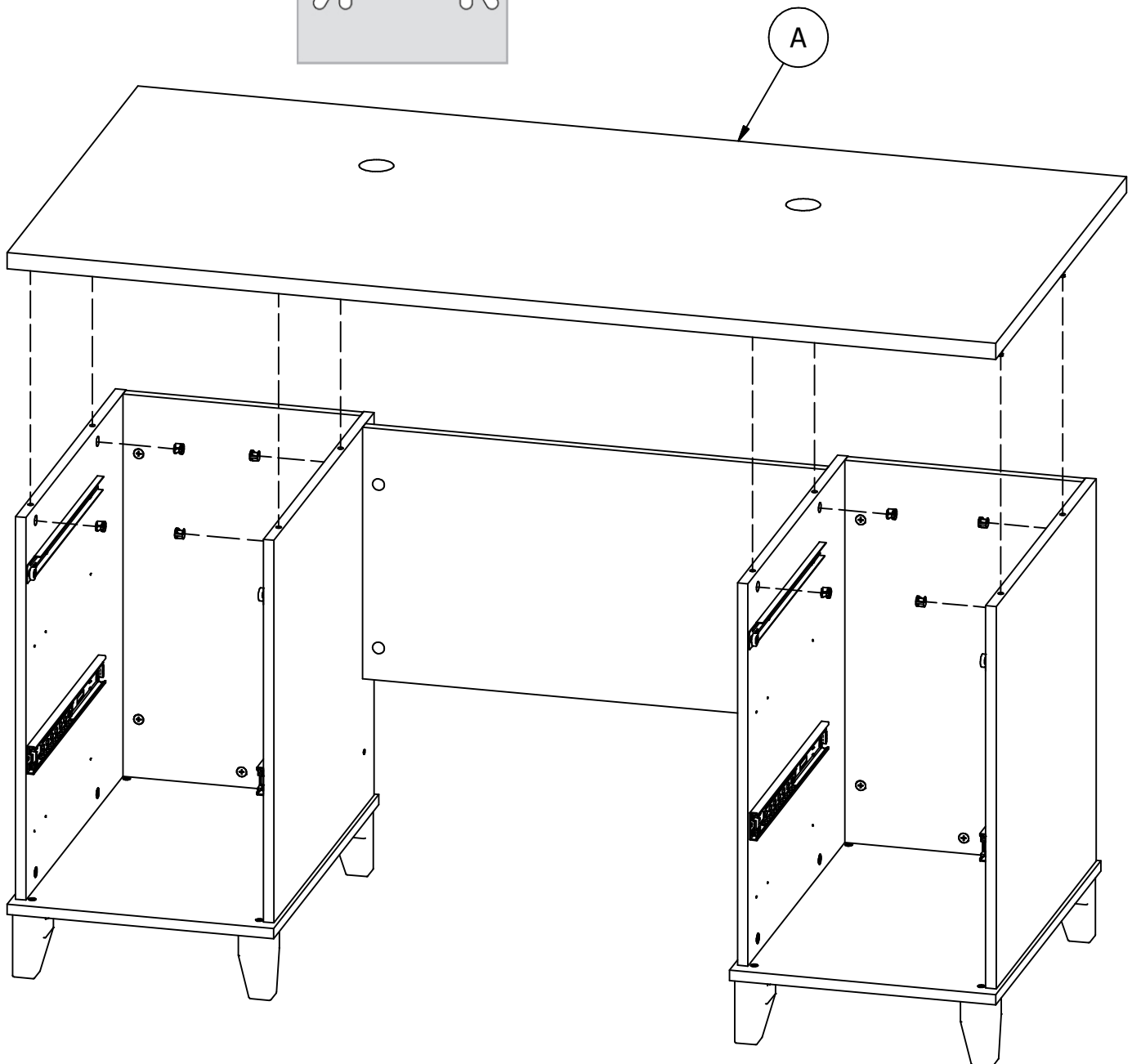
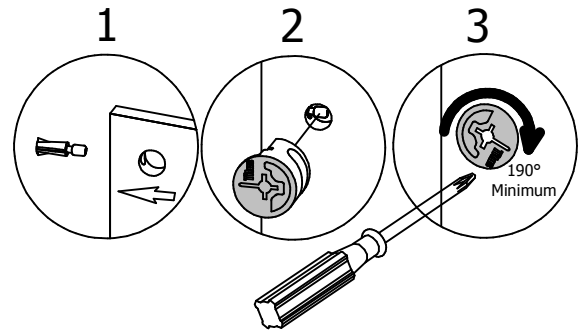


KD Cam

[ 8 ]



Team Lift

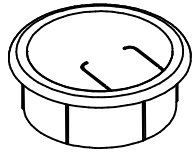


Have an assembly question or need a replacement part? Just call **1-800-950-4782**, we are here to help.

Scan QR Code to Watch Video on:

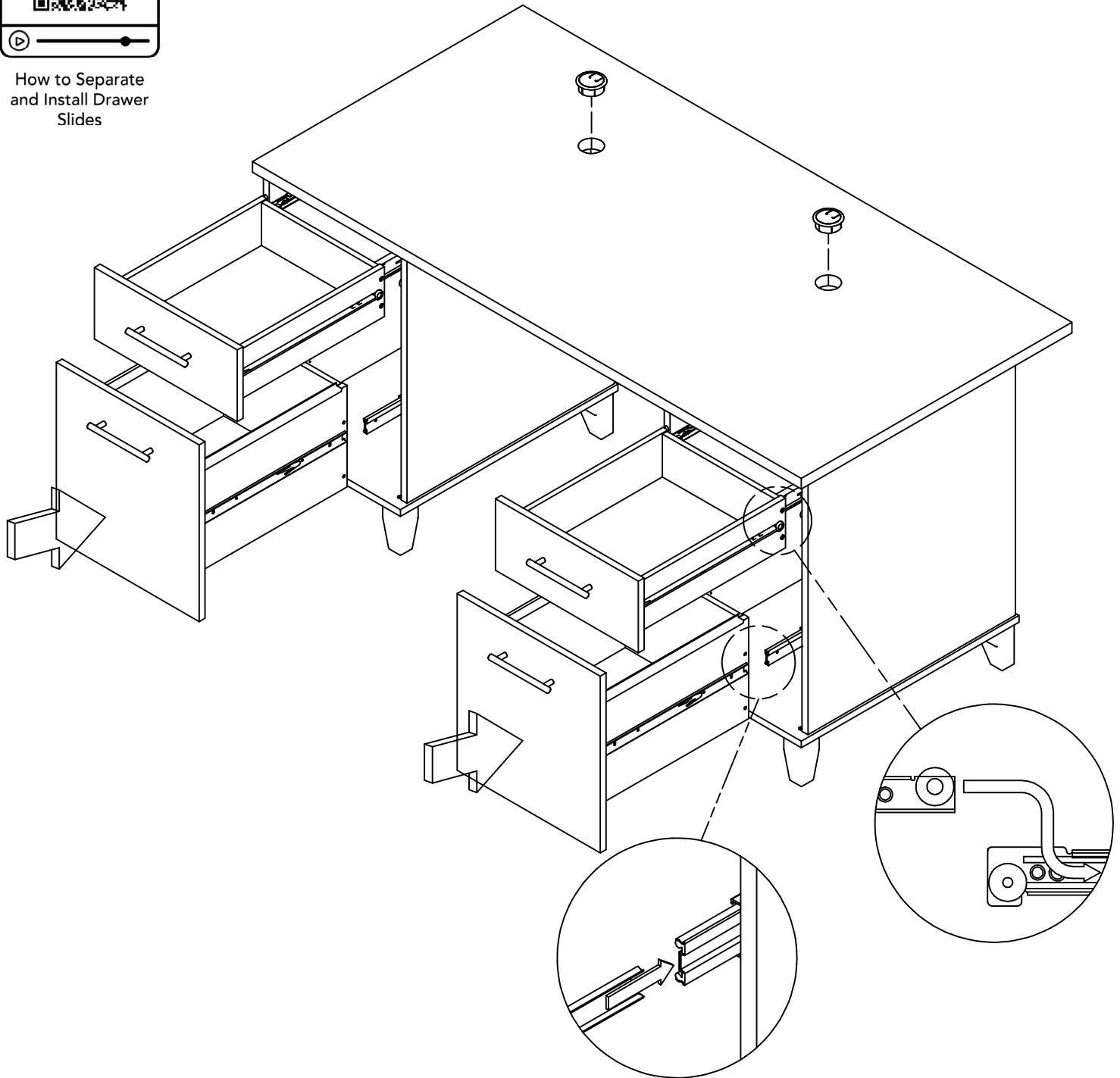


How to Separate and Install Drawer Slides



Grommet

[ 2 ]



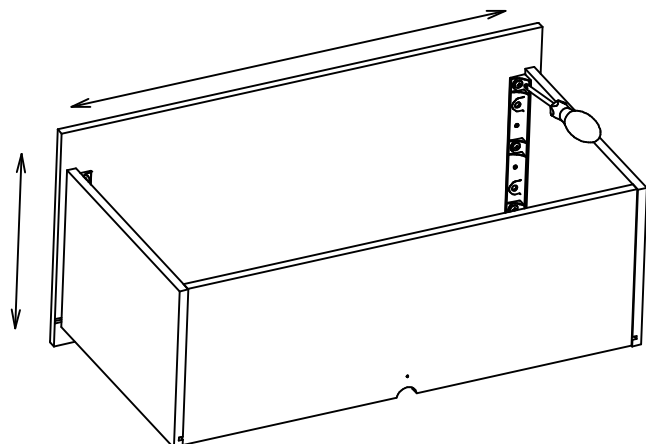
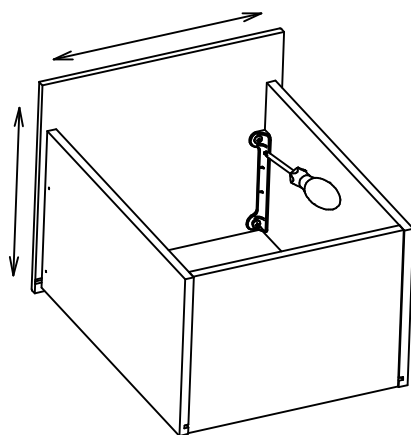
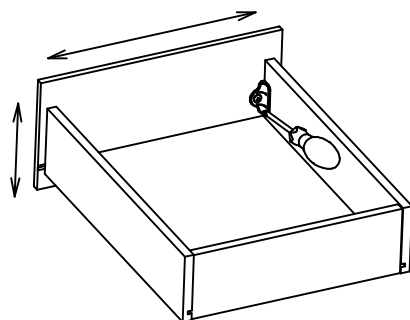
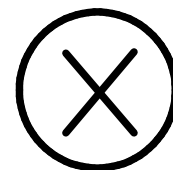
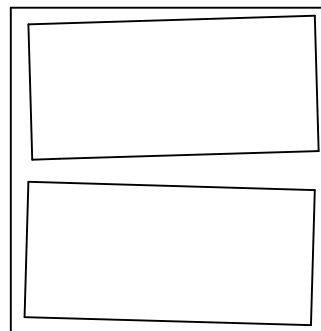
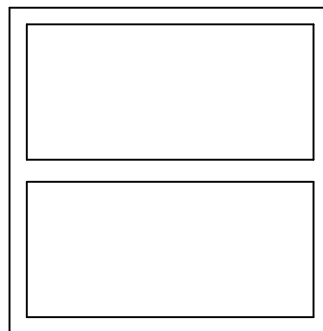
Have an assembly question or need a replacement part? Just call **1-800-950-4782**, we are here to help.

Scan QR Code to Watch Video on:



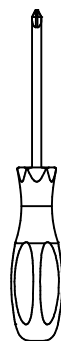
How to Adjust Drawer Fronts

## DRAWER FRONT VIEW



REQUIRED TOOL: PHILLIPS SCREWDRIVER

HERRAMIENTA REQUERIDA: DESTORNILLADOR PHILLIPS  
 OUTIL REQUIS: TOURNEVIS CRUCIFORME



1. LOOSEN SCREWS.
2. ADJUST DRAWER FRONTS.
3. TIGHTEN SCREWS.

1. Afloje los tornillos
2. Ajustar frentes de cajón
3. Apriete los tornillos

1. Desserrer les vis
2. Ajuster les façades des tiroirs
3. Serrer les vis

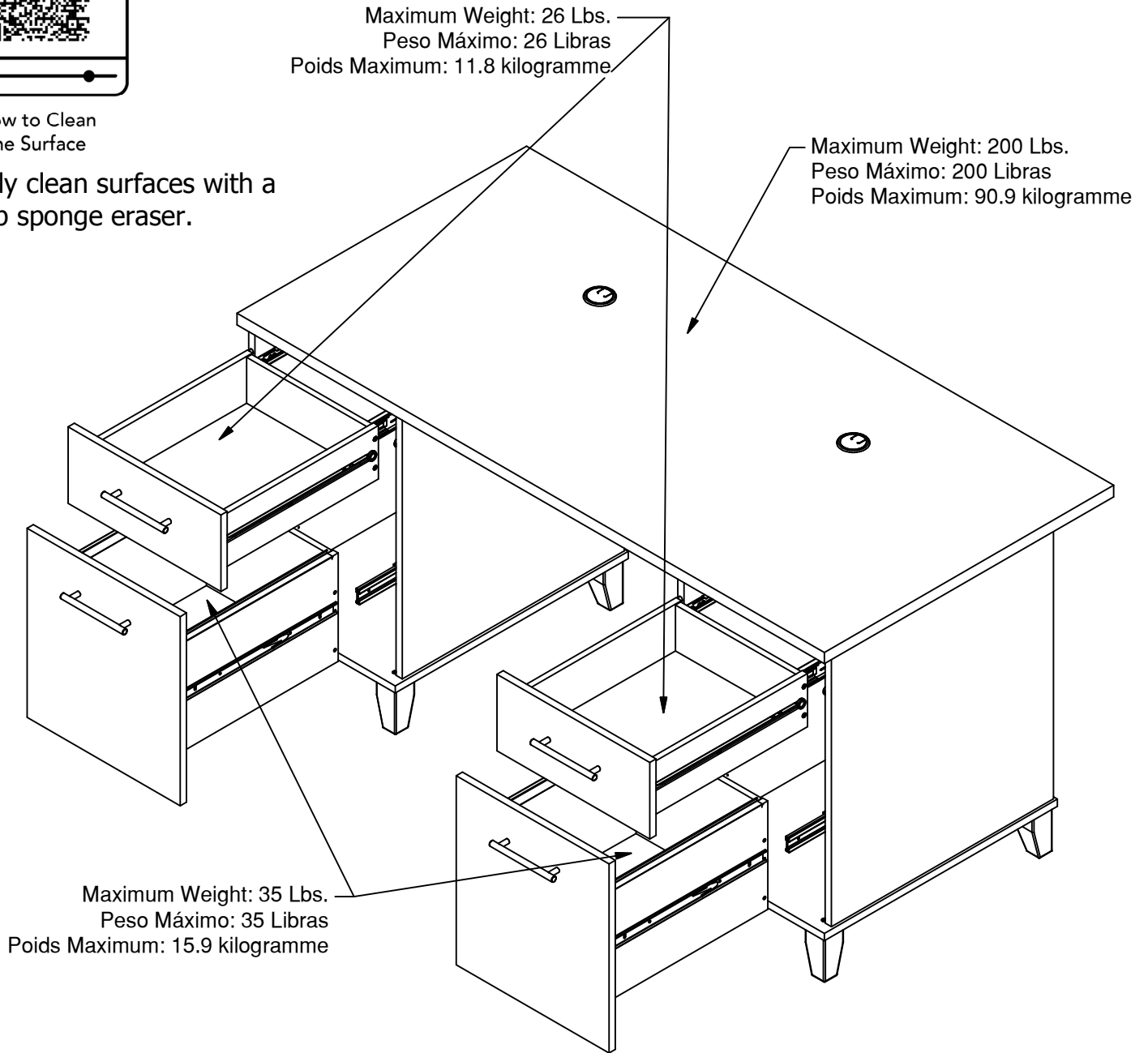
Have an assembly question or need a replacement part? Just call **1-800-950-4782**, we are here to help.

Scan QR Code to Watch Video on:



How to Clean the Surface

Gently clean surfaces with a damp sponge eraser.

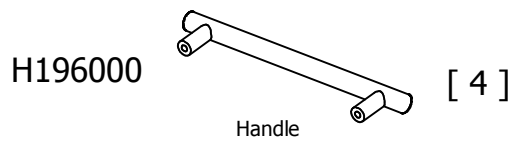
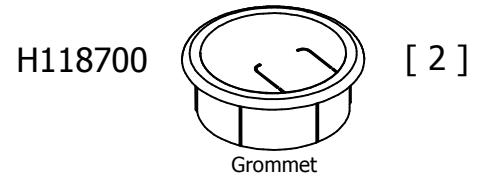
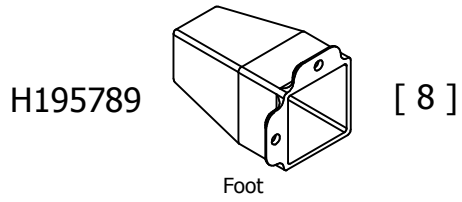
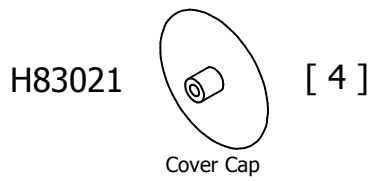


Congratulations! You are all done. If you have any questions or concerns, please call.

Have an assembly question or need a replacement part? Just call **1-800-950-4782**, we are here to help.

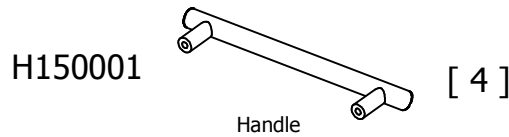
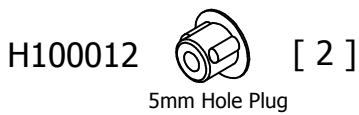
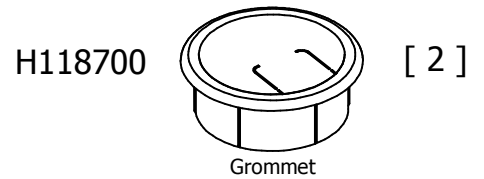
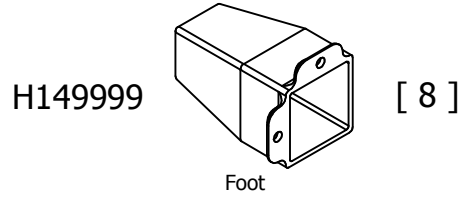
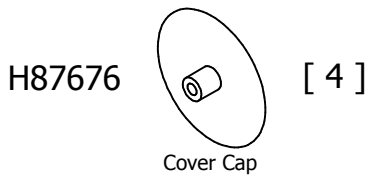
# WC81228

A	W195870	[ 1 ]	H	W176195	[ 2 ]
B	W195871	[ 2 ]	J	W195844	[ 2 ]
C	W195872	[ 2 ]	K	W195845	[ 2 ]
D	W195873	[ 2 ]	L	W87410	[ 4 ]
E	W195874	[ 1 ]	M	W106489	[ 4 ]
F	W107685	[ 2 ]	S	W195875	[ 2 ]
G	W107681	[ 4 ]			



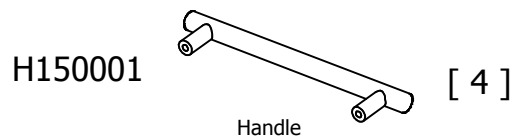
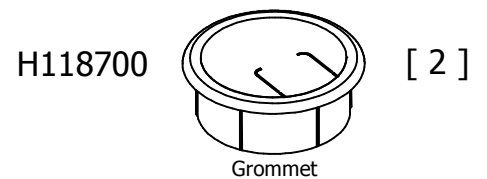
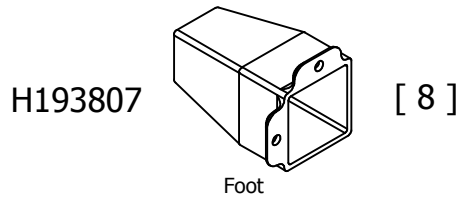
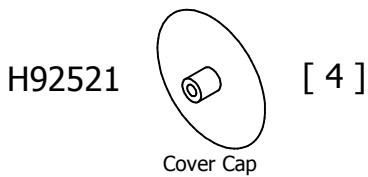
## WC81428C

A	W187452	[ 1 ]	H	W176195	[ 2 ]
B	W187453	[ 2 ]	J	W187368	[ 2 ]
C	W187454	[ 2 ]	K	W187369	[ 2 ]
D	W187455	[ 2 ]	L	W87410	[ 4 ]
E	W187456	[ 1 ]	M	W106489	[ 4 ]
F	W107685	[ 2 ]	S	W187457	[ 2 ]
G	W107681	[ 4 ]			



## WC81528

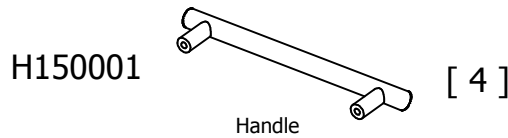
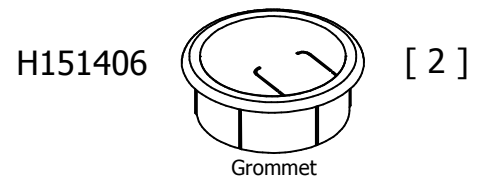
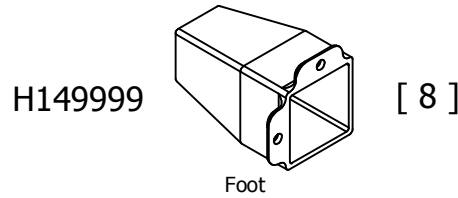
A	W193873	[ 1 ]	H	W176195	[ 2 ]
B	W193874	[ 2 ]	J	W193859	[ 2 ]
C	W193875	[ 2 ]	K	W193860	[ 2 ]
D	W193876	[ 2 ]	L	W87410	[ 4 ]
E	W193877	[ 1 ]	M	W106489	[ 4 ]
F	W107685	[ 2 ]	S	W193878	[ 2 ]
G	W107681	[ 4 ]			



Have an assembly question or need a replacement part? Just call  
**1-800-950-4782**, we are here to help.

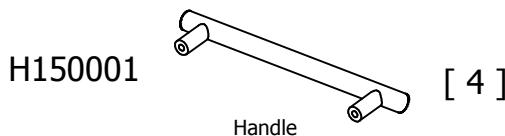
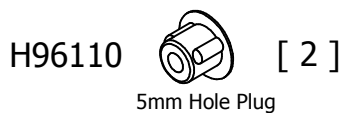
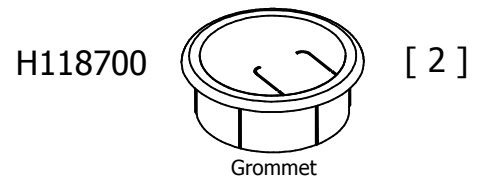
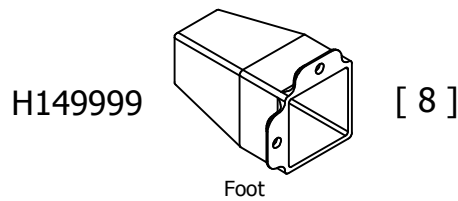
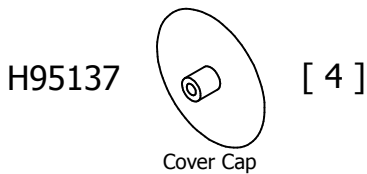
## WC81628

A	W186381	[ 1 ]	H	W176195	[ 2 ]
B	W186382	[ 2 ]	J	W186355	[ 2 ]
C	W186383	[ 2 ]	K	W186356	[ 2 ]
D	W186384	[ 2 ]	L	W87410	[ 4 ]
E	W186385	[ 1 ]	M	W106489	[ 4 ]
F	W107685	[ 2 ]	S	W187470	[ 2 ]
G	W107681	[ 4 ]			



## WC81728C

A	W187458	[ 1 ]	H	W176195	[ 2 ]
B	W187459	[ 2 ]	J	W187386	[ 2 ]
C	W187460	[ 2 ]	K	W187387	[ 2 ]
D	W187461	[ 2 ]	L	W87410	[ 4 ]
E	W187462	[ 1 ]	M	W106489	[ 4 ]
F	W107685	[ 2 ]	S	W187463	[ 2 ]
G	W107681	[ 4 ]			

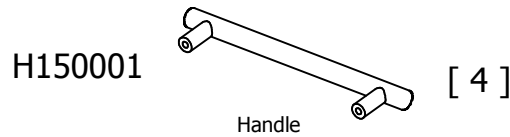
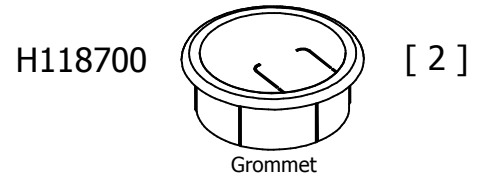
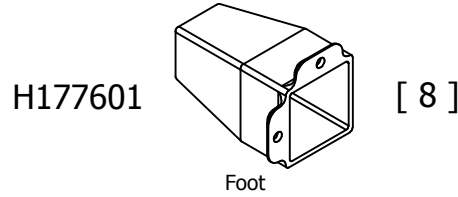
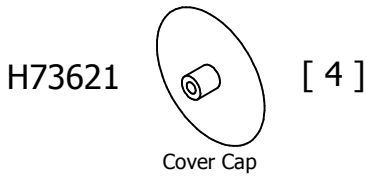


Have an assembly question or need a replacement part? Just call  
**1-800-950-4782**, we are here to help.



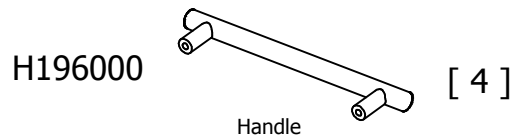
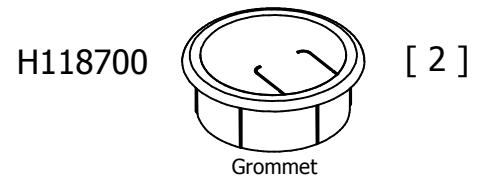
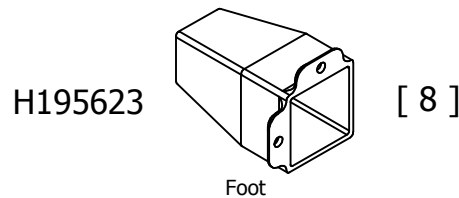
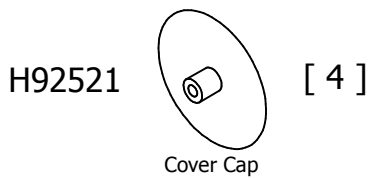
## WC81828C

A	W187464	[ 1 ]	H	W176195	[ 2 ]
B	W187465	[ 2 ]	J	W187404	[ 2 ]
C	W187466	[ 2 ]	K	W187405	[ 2 ]
D	W187467	[ 2 ]	L	W87410	[ 4 ]
E	W187468	[ 1 ]	M	W106489	[ 4 ]
F	W107685	[ 2 ]	S	W187469	[ 2 ]
G	W107681	[ 4 ]			



## WC81928

A	W196077	[ 1 ]	H	W176195	[ 2 ]
B	W196078	[ 2 ]	J	W196051	[ 2 ]
C	W196079	[ 2 ]	K	W196052	[ 2 ]
D	W196080	[ 2 ]	L	W87410	[ 4 ]
E	W196081	[ 1 ]	M	W106489	[ 4 ]
F	W107685	[ 2 ]	S	W196082	[ 2 ]
G	W107681	[ 4 ]			



Have an assembly question or need a replacement part? Just call  
**1-800-950-4782**, we are here to help.