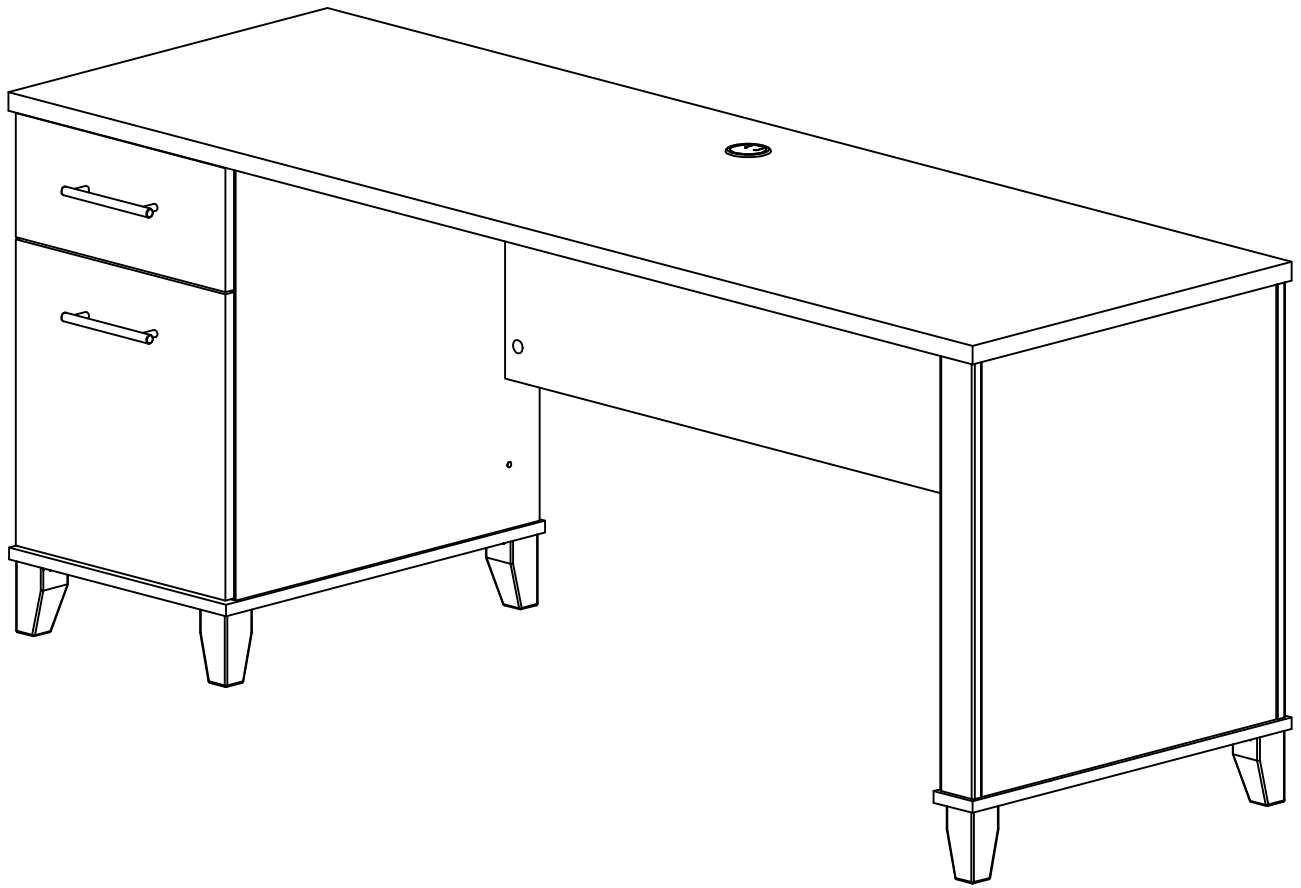


ASSEMBLY INSTRUCTION

72 W Ped Desk



Get Ready to Assemble

For best results, keep these tips in mind:

- ① We know you want to finish this assembly as quickly as possible, but trust us: you'll have a better experience if you take it one step at a time.
- ② Give yourself some room to work near where you want the fully assembled product.
- ③ If your floor isn't carpeted, assemble this product on the empty carton to avoid scratching.
- ④ Do you have a friend who owes you a favor? Some steps may go a little easier with a second set of hands.

DOs

- ✔ Use a #2 Phillips head screwdriver (or other handheld tools as indicated)
- ✔ Wear safety glasses at all times during assembly
- ✔ Carefully follow the instructions in this guide and complete all steps in order
- ✔ Give us a call if you're having trouble with a particularly tricky step

DON'Ts

- ✘ We know power tools are quick and easy, but you shouldn't use them when assembling this product (unless otherwise specified)
- ✘ Never move your furniture with items inside or resting on the surface
- ✘ Do not attempt to use this product before all steps have been completed

IMPORTANT SAFETY INFORMATION



PLEASE READ WARNINGS

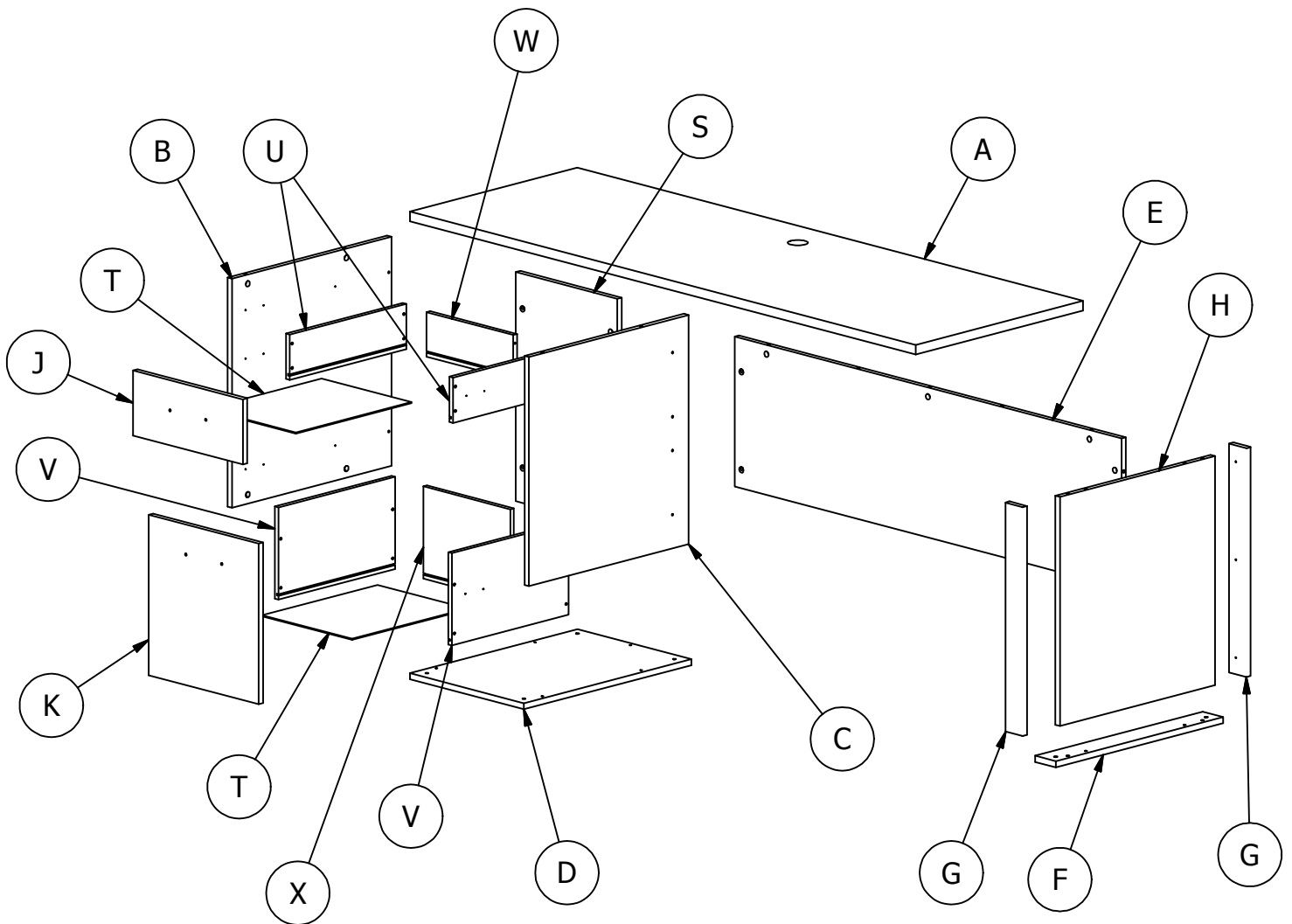
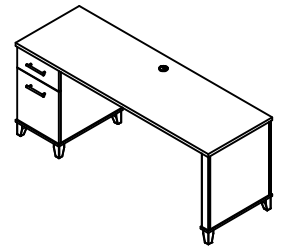
Improper use can cause safety hazards, or damage to your furniture and household items.

Warning	Do	Don't	Why it's important
Serious injury may occur.	<ul style="list-style-type: none">Assemble following all instructions using all indicated parts and hardware provided.	<ul style="list-style-type: none">Do not move unit when loaded.Do not load with a television or other heavy equipment.Do not exceed the maximum load limits stated in the instructions.	Improper assembly, use or loading can lead to product instability, tip-over or collapse.

Advertencia	Hacer	No	Por qué es importante
Se pueden producir lesiones graves.	<ul style="list-style-type: none">Ensamble siguiendo todas las instrucciones utilizando todas las piezas y ferretería indicados provistos.	<ul style="list-style-type: none">No mueva la unidad cuando esté cargada.No cargue con un televisor u otro equipo pesado.No exceda los límites máximos de carga establecidos en las instrucciones.	El ensamblaje, uso o carga inadecuados pueden provocar inestabilidad del producto, vuelco o colapso.

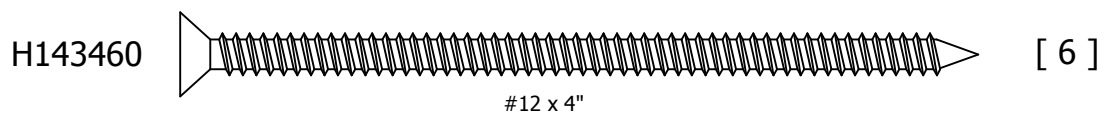
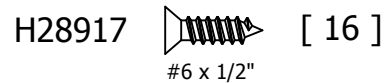
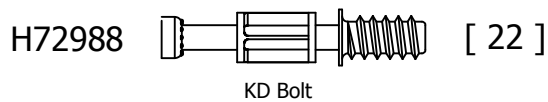
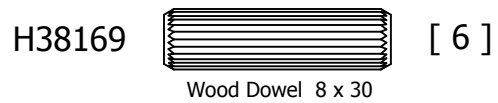
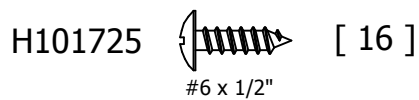
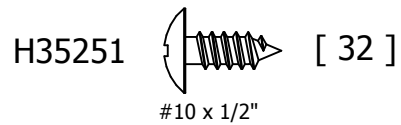
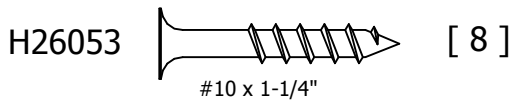
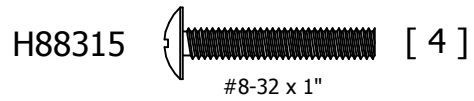
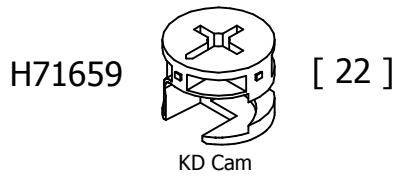
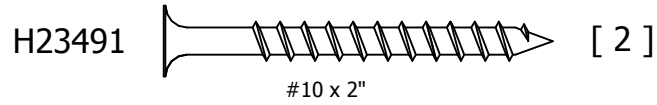
Avertissement	Faire	Ne le fais pas	Pourquoi c'est important
Des blessures graves peuvent survenir.	<ul style="list-style-type: none">Assemblez en suivant toutes les instructions en utilisant toutes les pièces et le matériel indiqués fournis.	<ul style="list-style-type: none">Ne déplacez pas l'unité lorsqu'elle est chargée.Ne chargez pas avec un téléviseur ou un autre équipement lourd.Ne dépassez pas les limites de charge maximale indiquées dans les instructions.	Un assemblage, une utilisation ou un chargement incorrects peuvent entraîner une instabilité du produit, un renversement ou un effondrement.

Get to know your Boards



Get to know your Fasteners

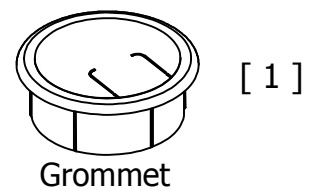
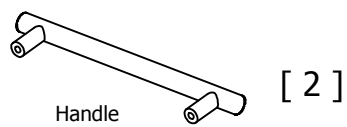
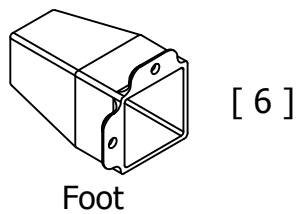
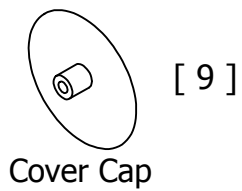
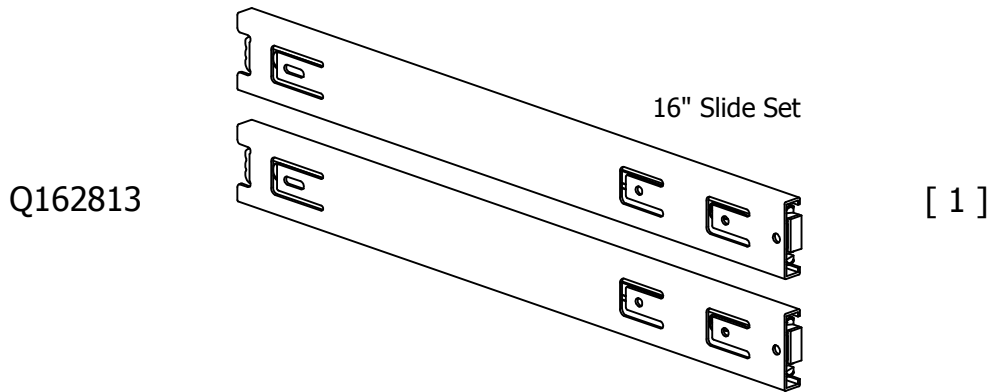
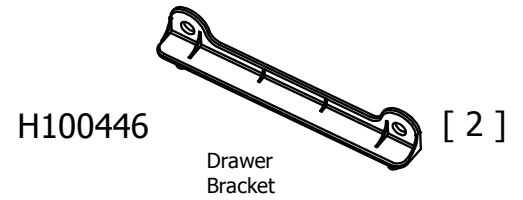
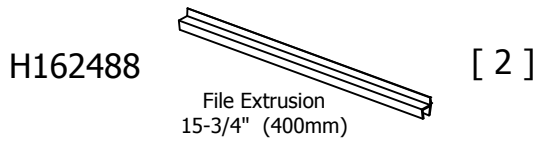
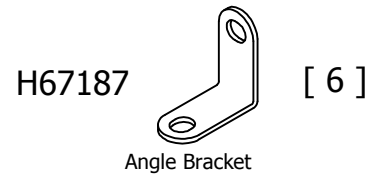
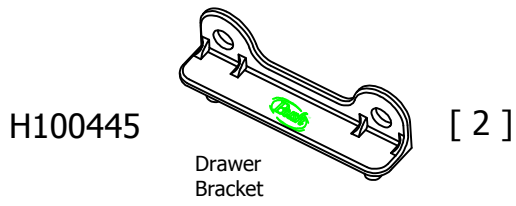
Fasteners are shown actual size.



Have an assembly question or need a replacement part? Just call
1-800-950-4782, we are here to help.

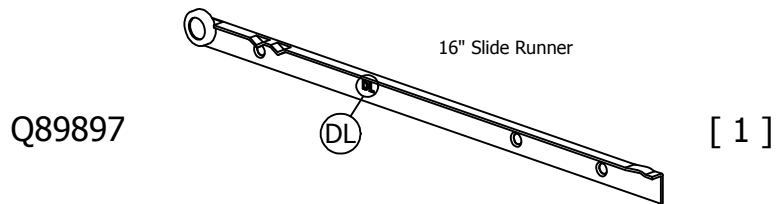
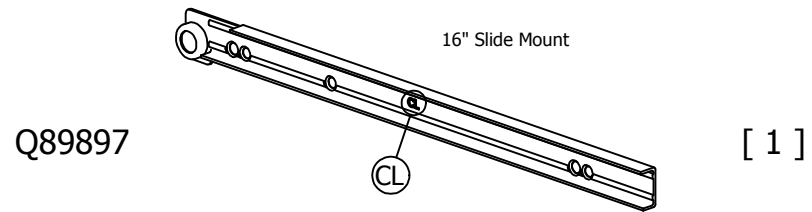
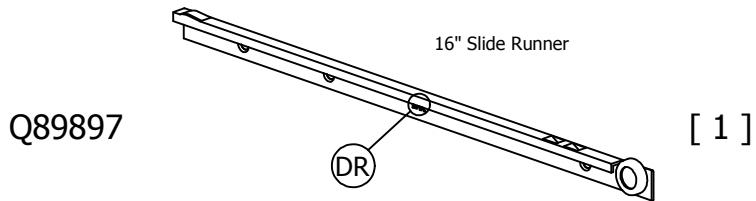
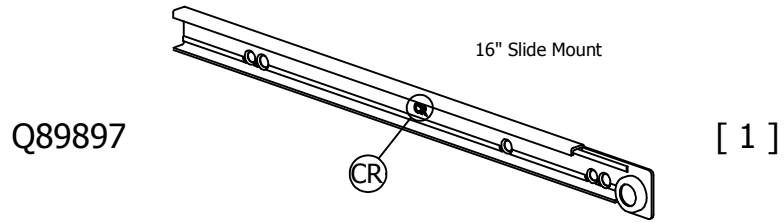
Get to know your Hardware

Hardware not to scale.



Get to know your Hardware

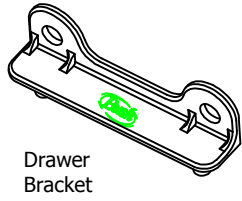
Hardware not to scale.



STEP 1

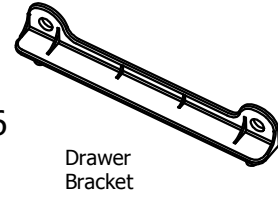
Assemble Drawer Fronts

H100445



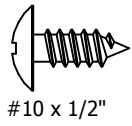
[2]

H100446

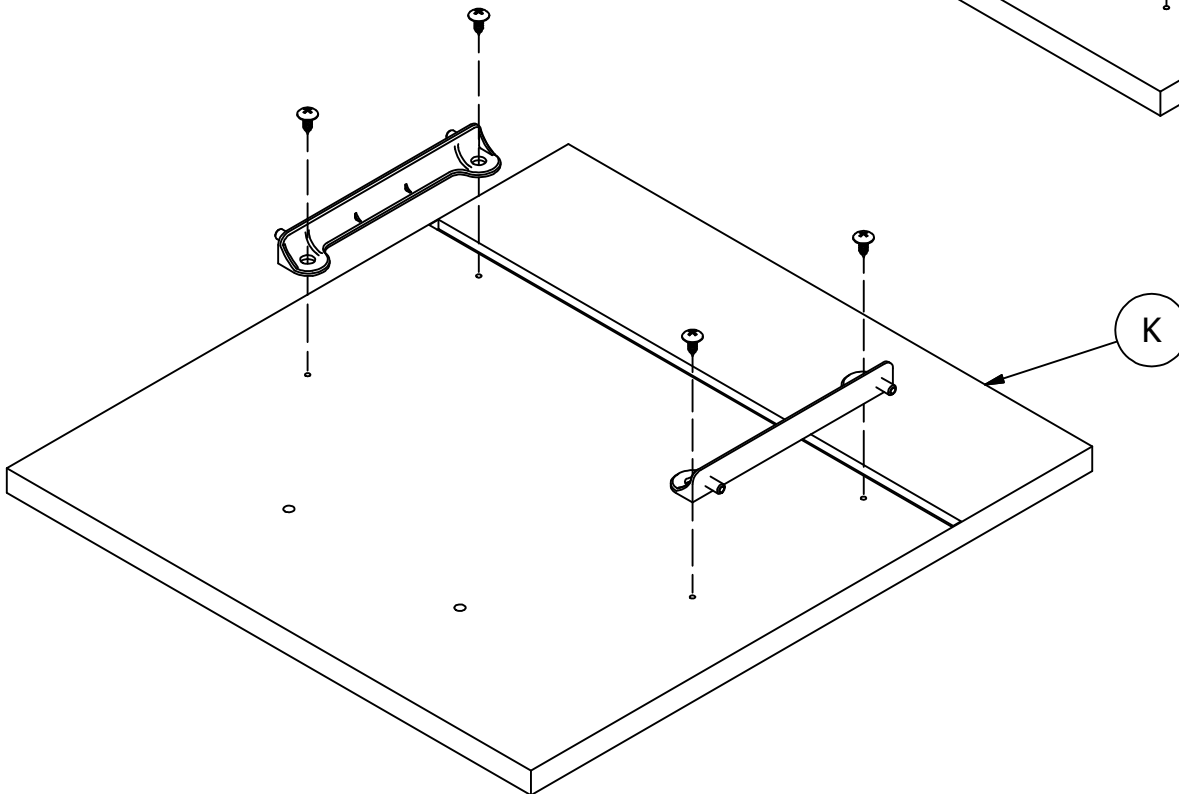
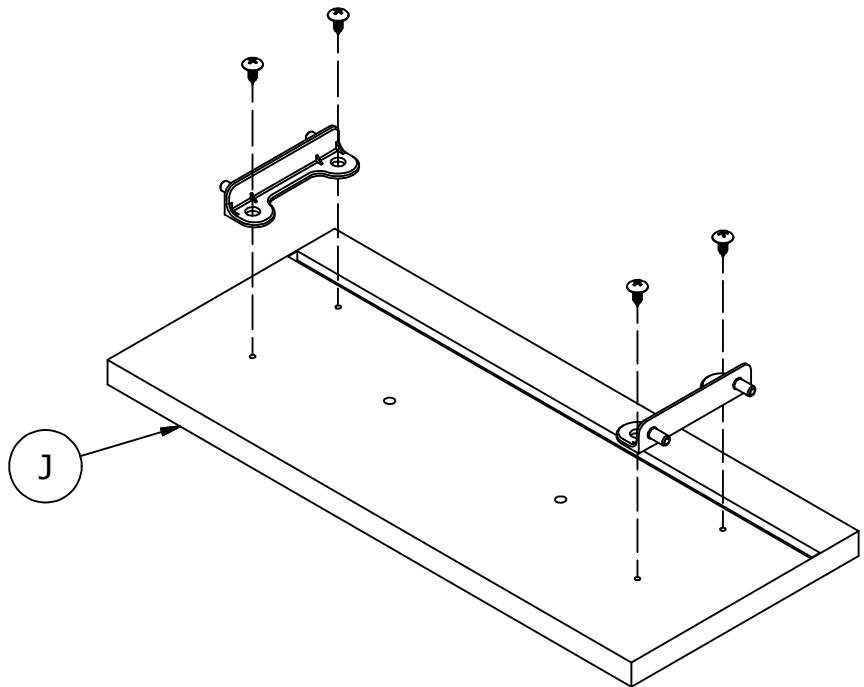


[2]

H35251




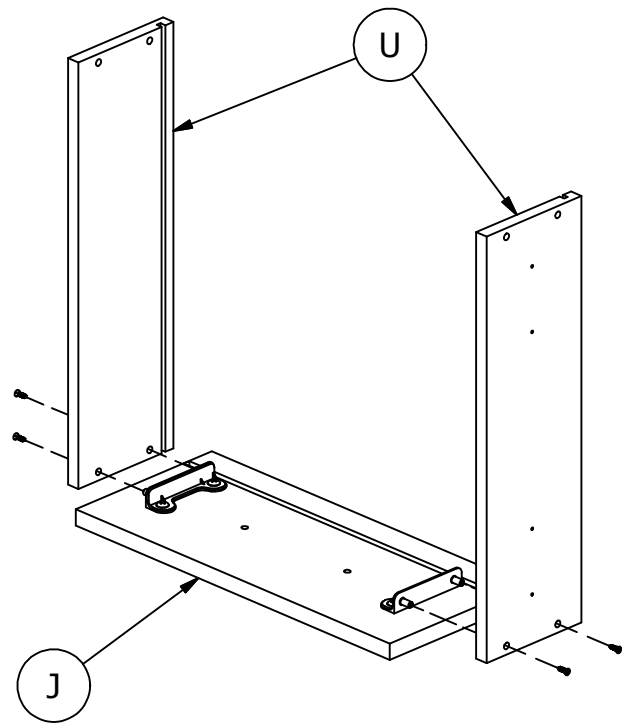
[8]

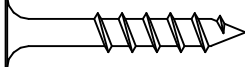


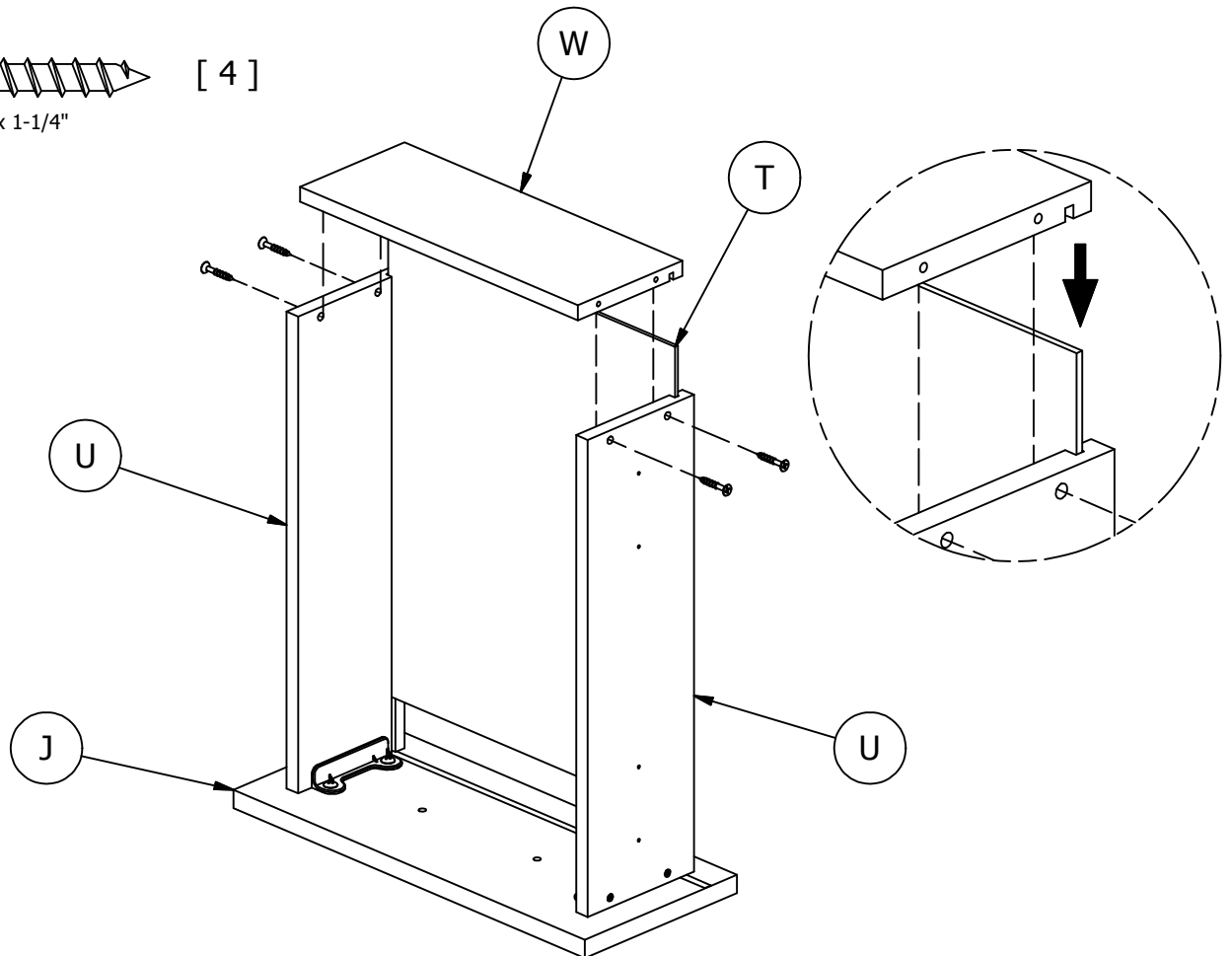
STEP 2

Assemble Drawers

H28917  [4]
#6 x 1/2"



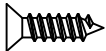
H26053  [4]
#10 x 1-1/4"




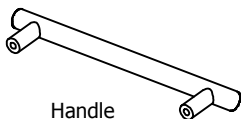
STEP 3

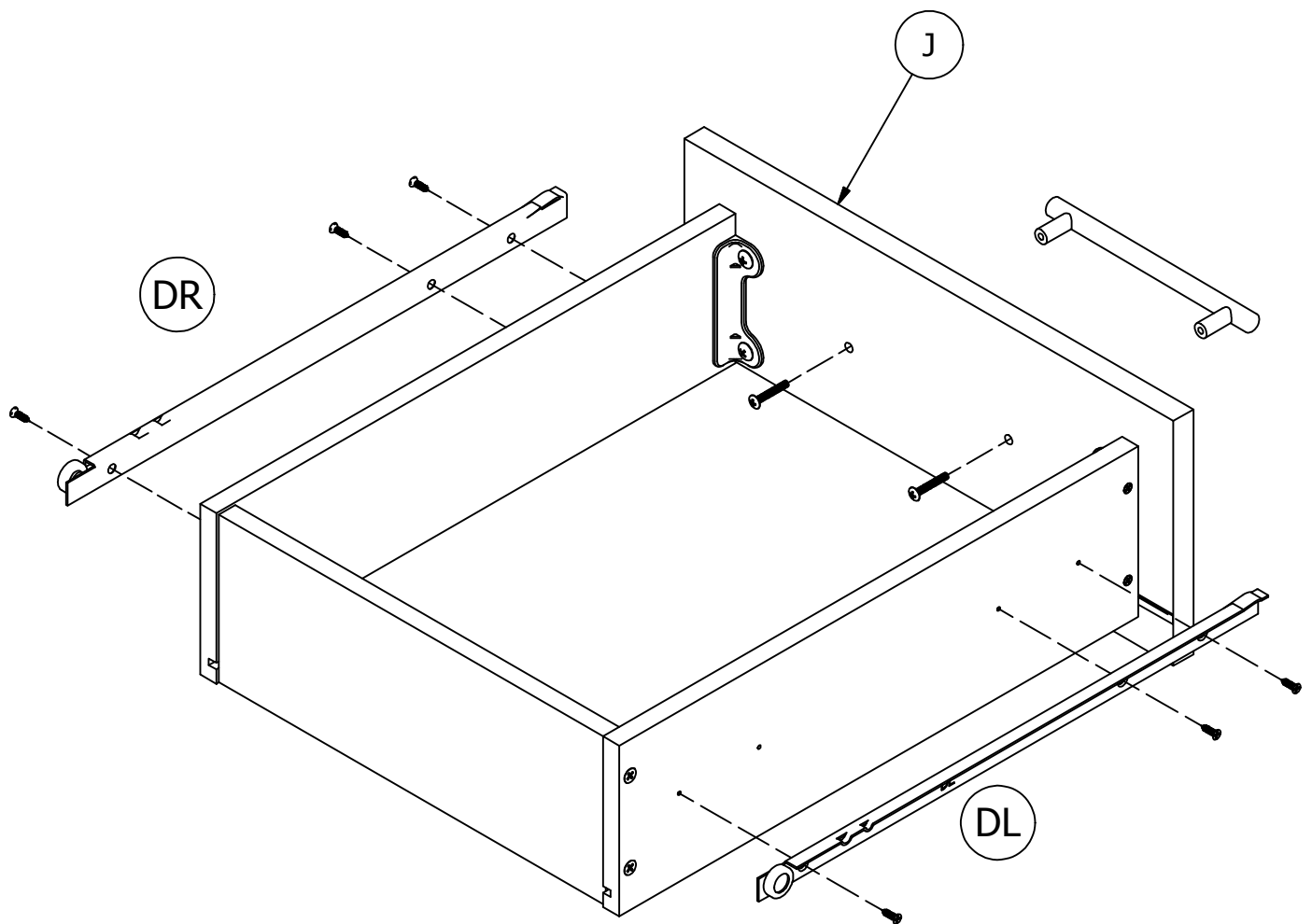
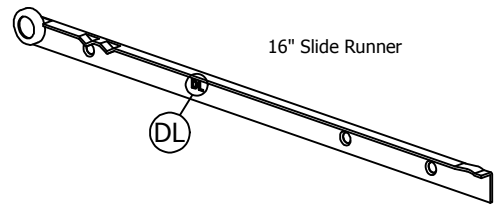
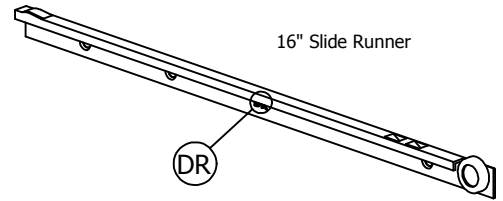
Attach Slides

Scan QR Code to Watch Video on:

H28917  [6]
#6 x 1/2"

H88315  [2]
#8-32 x 1"

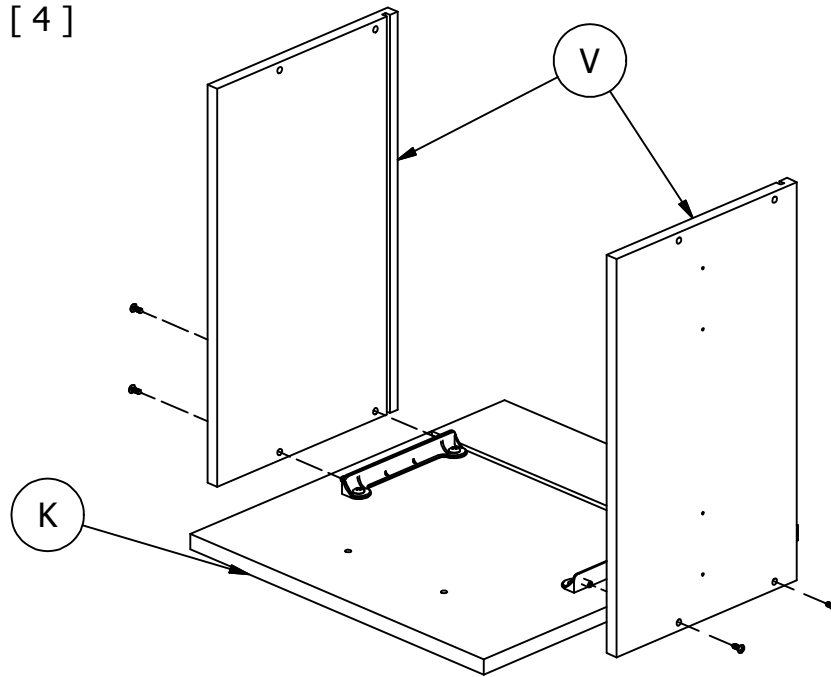
H150001  [1]
Handle



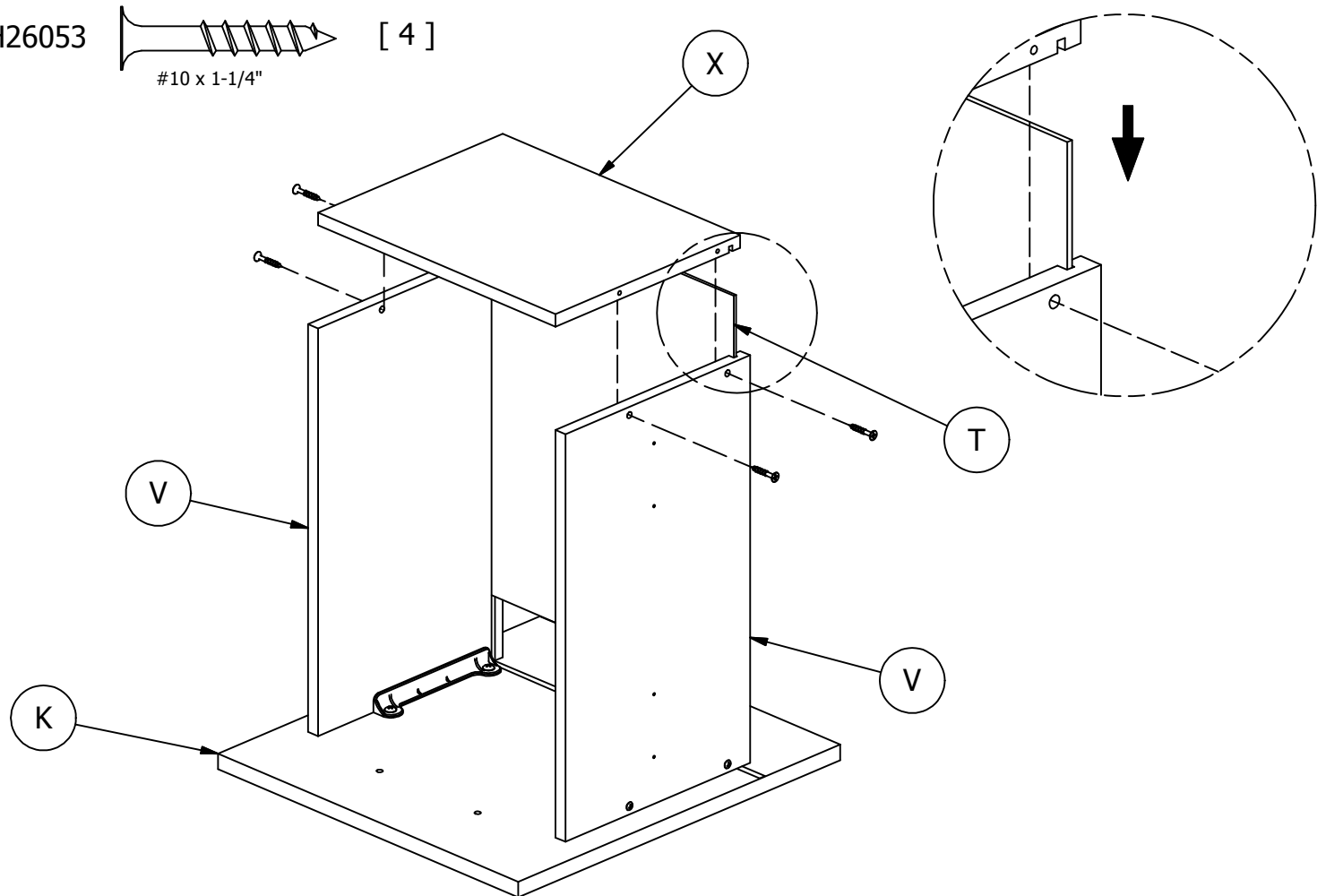
STEP 4

Assemble Drawers

H101725 [4]
#6 x 1/2"



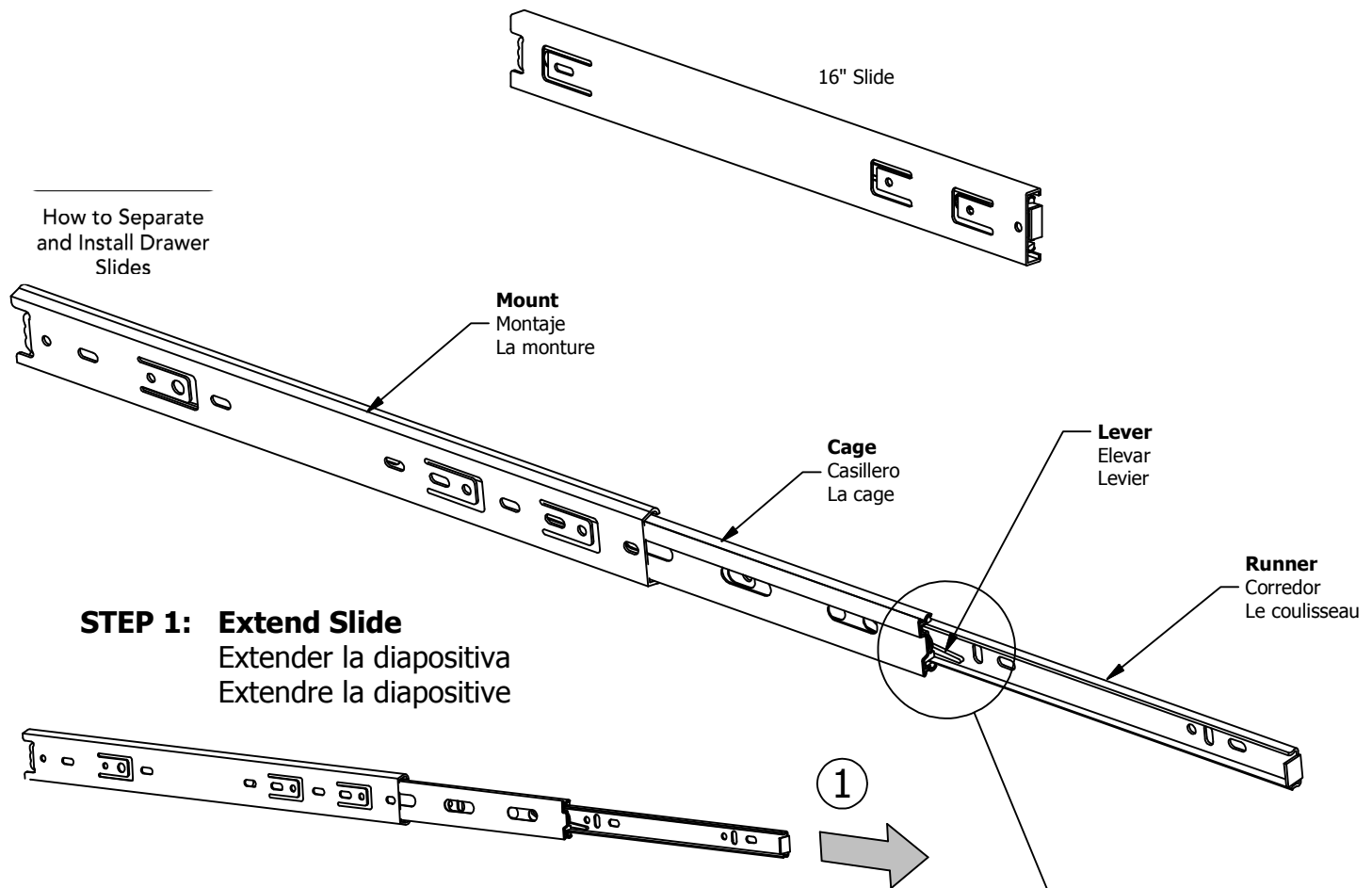
H26053 [4]
#10 x 1-1/4"



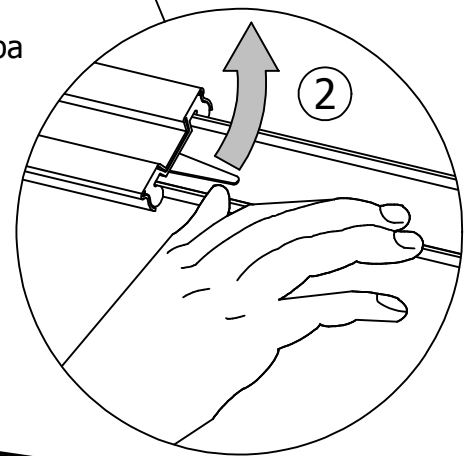
STEP 5

Separate Slides

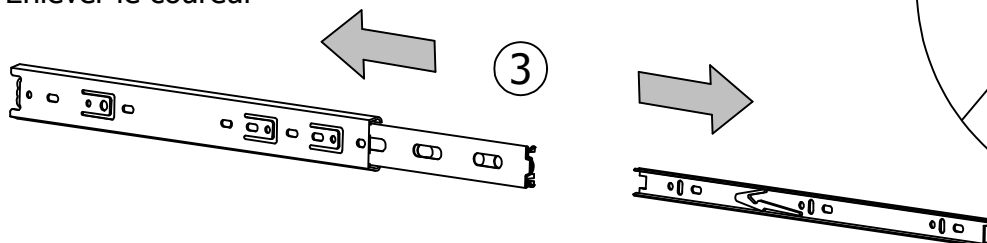
How to Separate
and Install Drawer
Slides



STEP 2: Push Lever UP
Empujar hacia arriba
Lever le levier



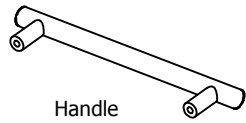
STEP 3: Remove Runner.
Quitar el corredor
Enlever le coureur



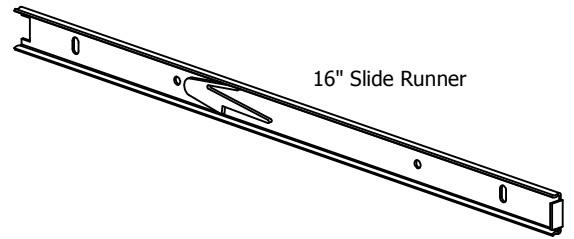
STEP 6

Attach Slides

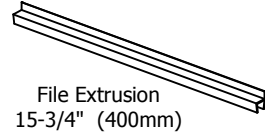
H150001



[1]



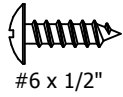
H162488



[2]

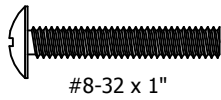
How to Separate
and Install Drawer
Slides

H101725



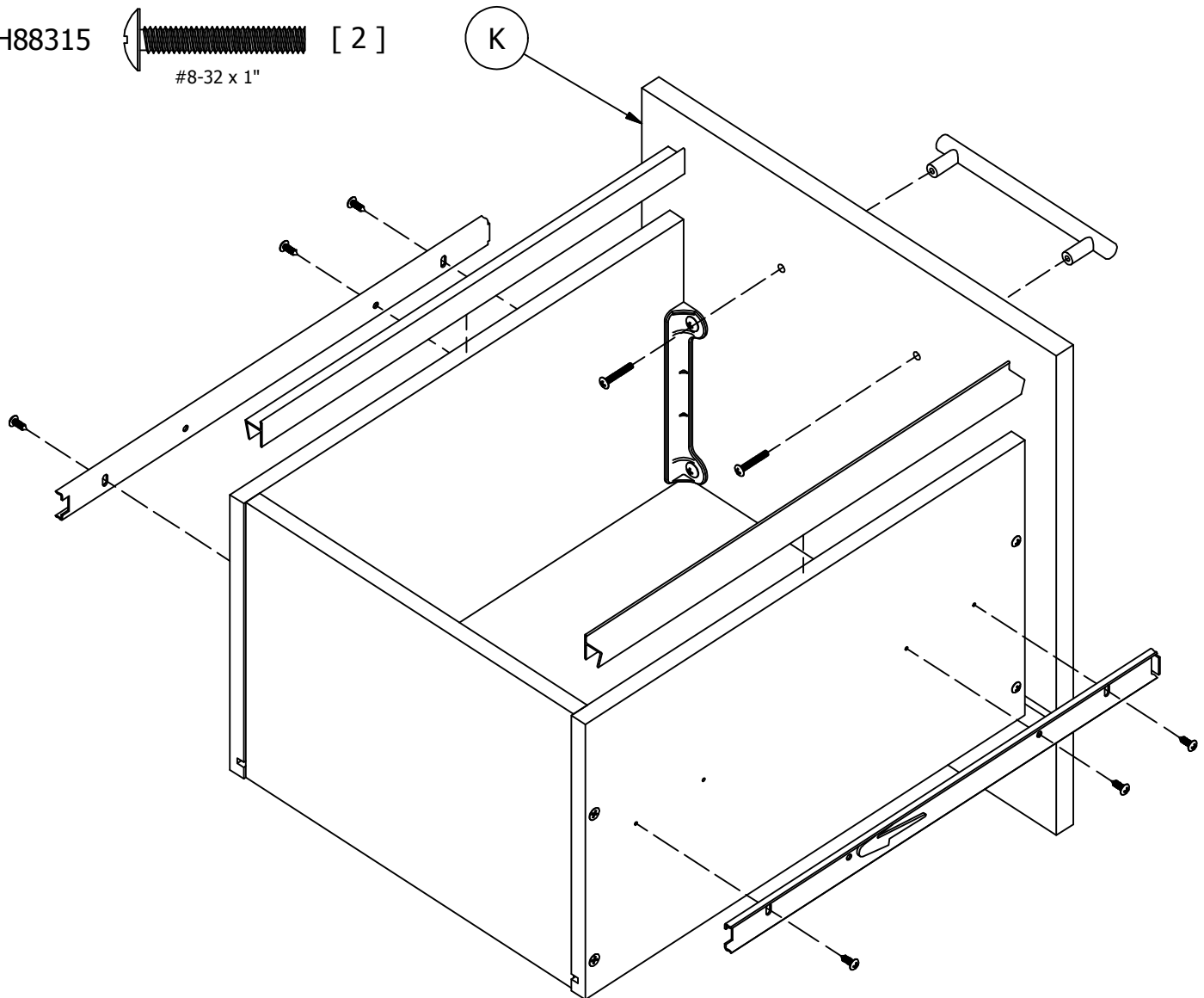
[6]

H88315



[2]

K



STEP 7

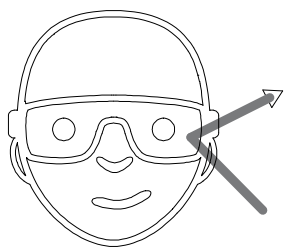
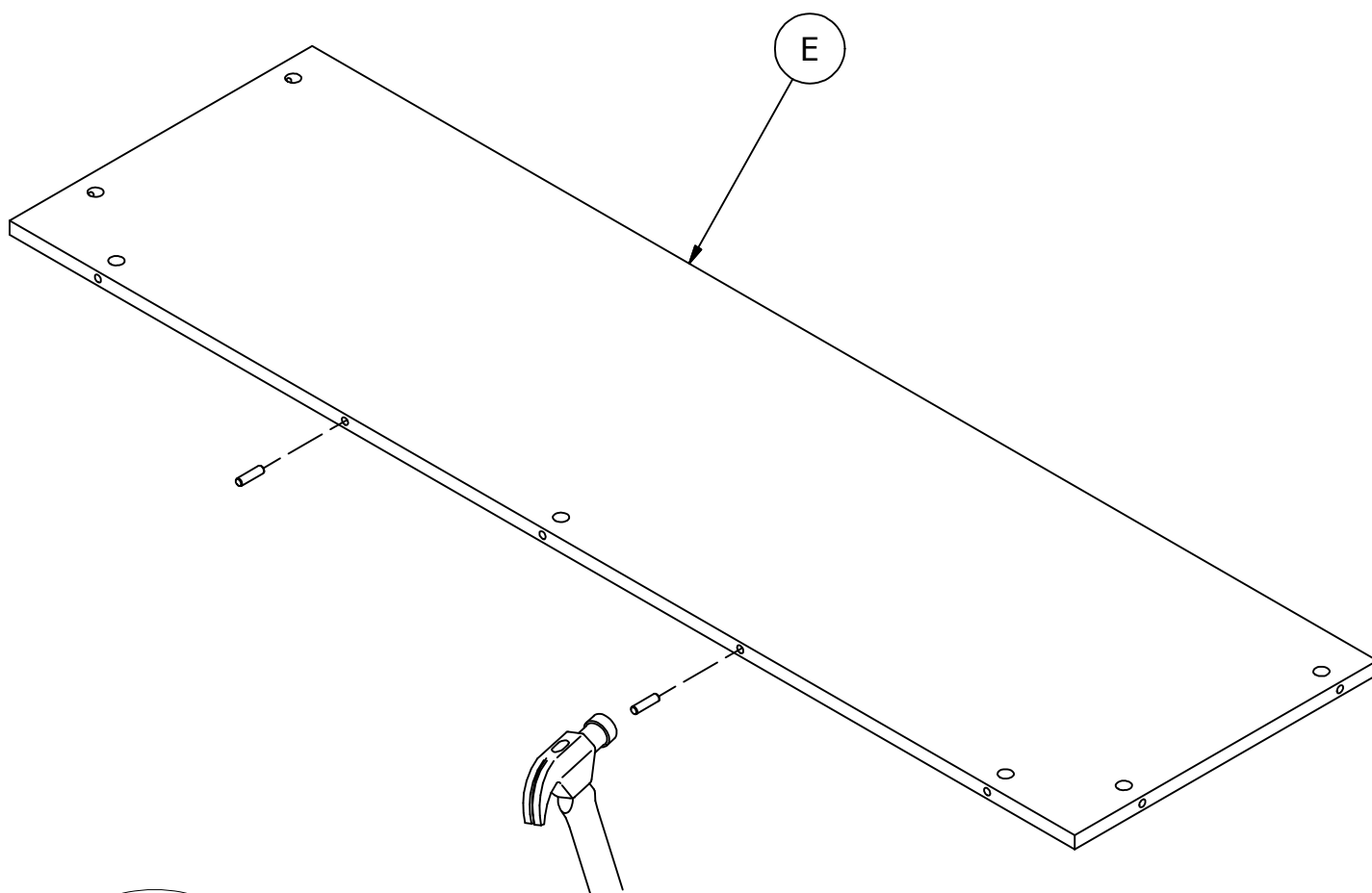
Prepare Panel

H38169



[2]


Wood Dowel 8 x 30

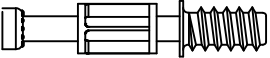


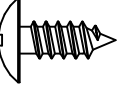
Safety glasses
Gafas de seguridad
Lunettes de protection

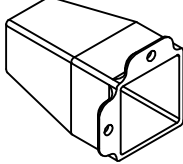
STEP 8

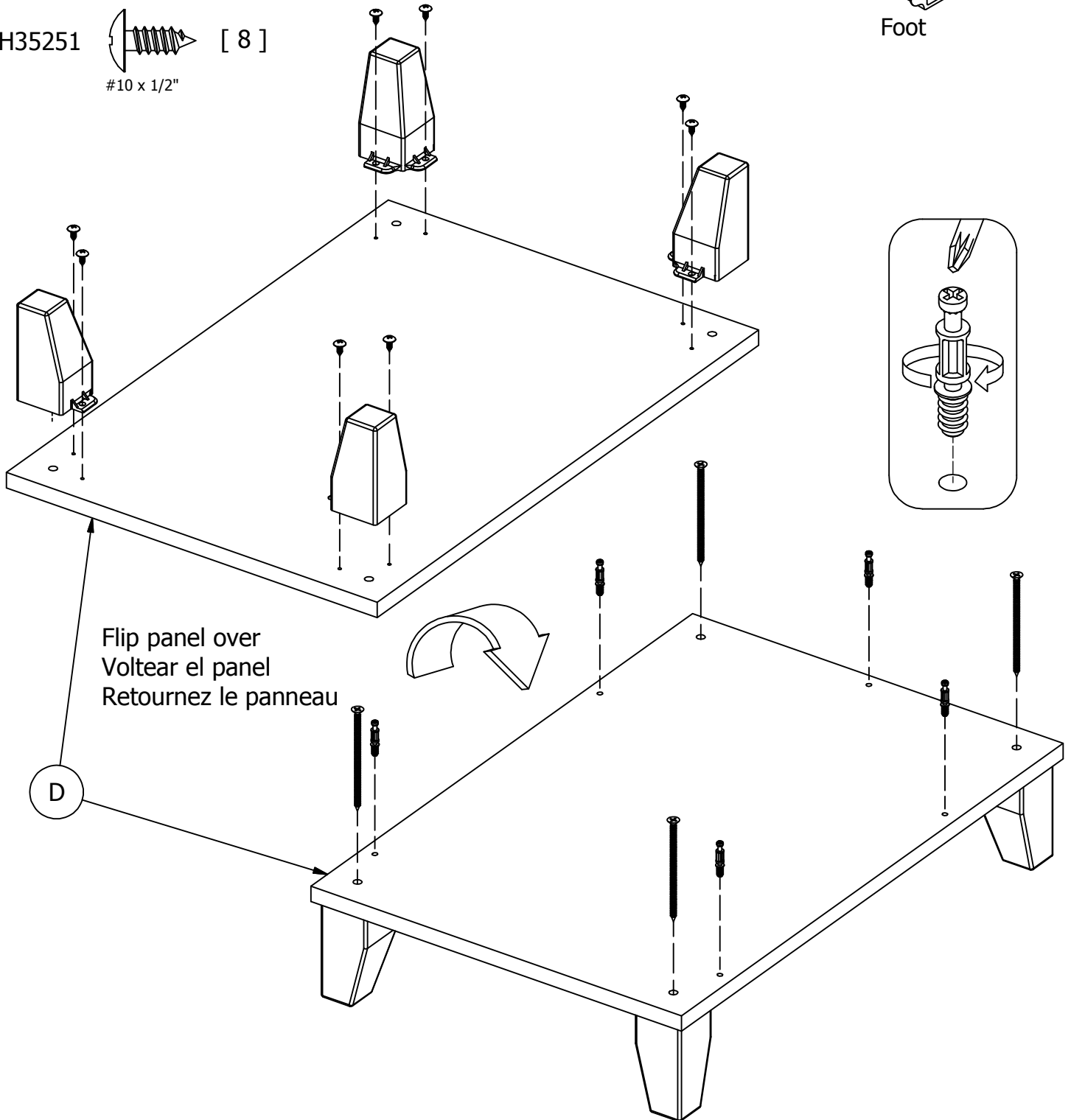
Assemble Base

H143460  [4]
#12 x 4"

H72988  [5]
KD Bolt

H35251  [8]
#10 x 1/2"

 [4]
Foot



Flip panel over
Voltear el panel
Retournez le panneau

D

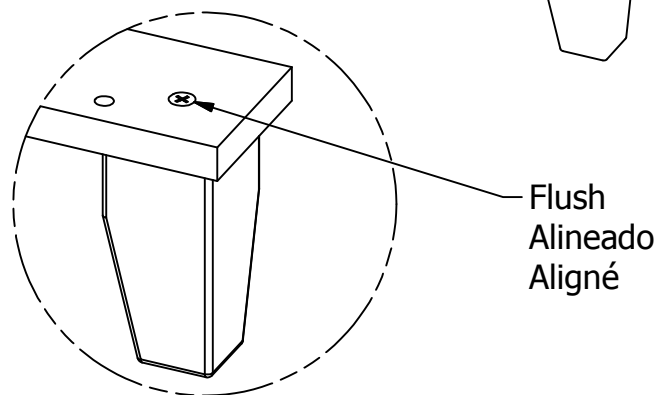
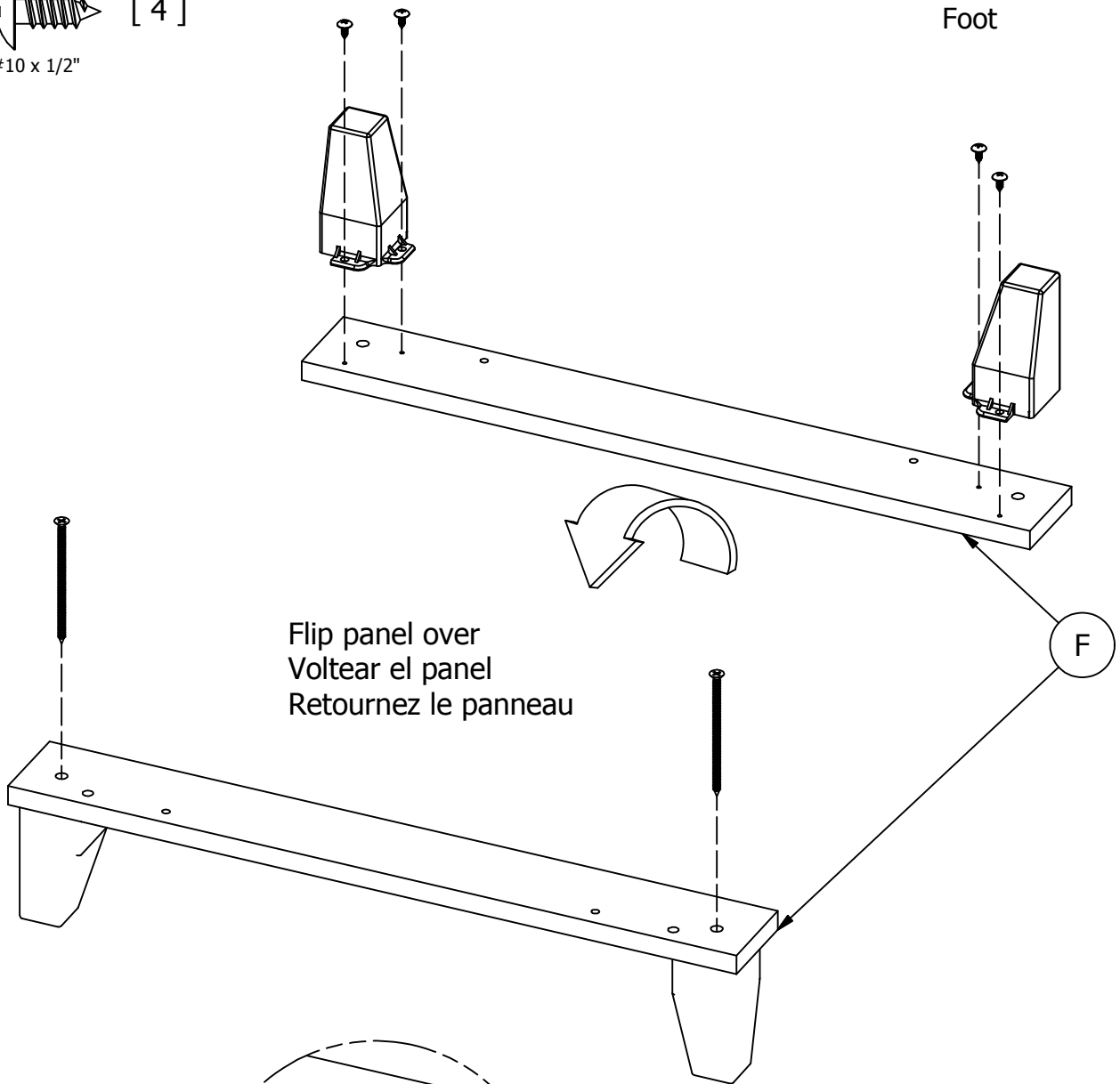
STEP 9

Assemble Base Rail

H143460 [2]
#12 x 4"

[2]
Foot

H35251 [4]
#10 x 1/2"



STEP 10

Prepare Panels

H67187

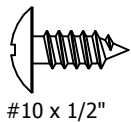


[6]

Angle Bracket

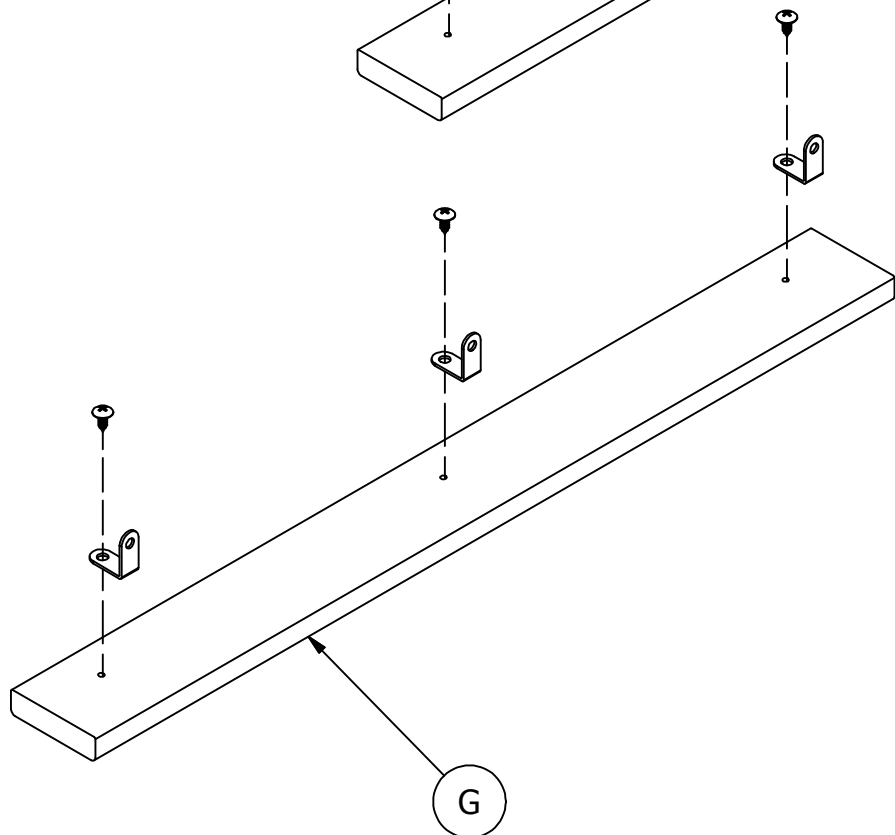
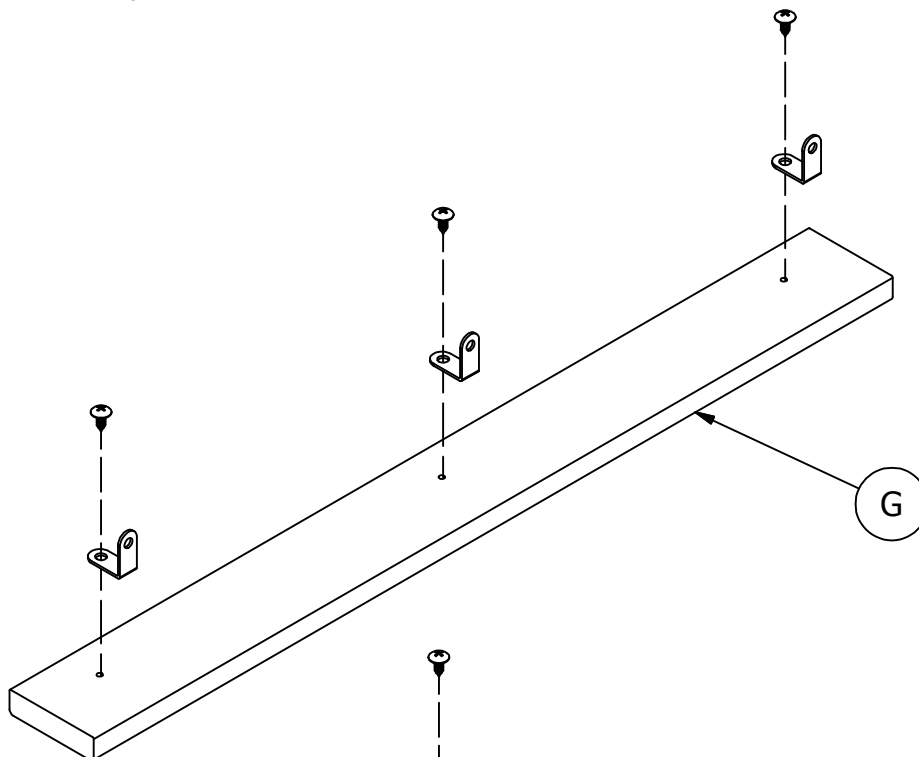
Do not fully tighten.
No apriete completamente.
Ne pas visser a fond.

H35251

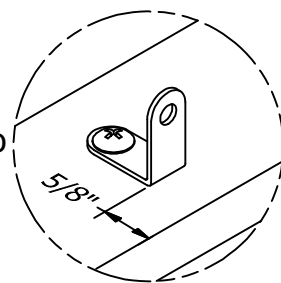


[6]

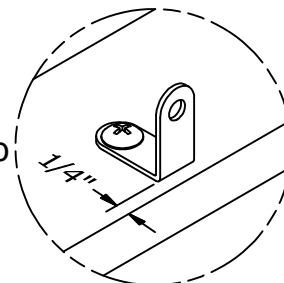
#10 x 1/2"



Correct
Correcto
Correct




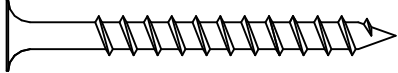
Incorrect
Incorrecto
Incorrect

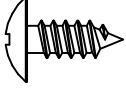


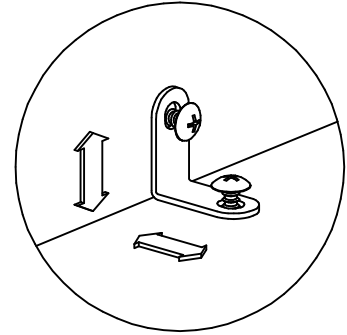
STEP 11

Assemble Base

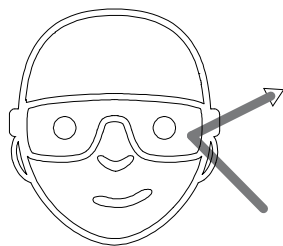
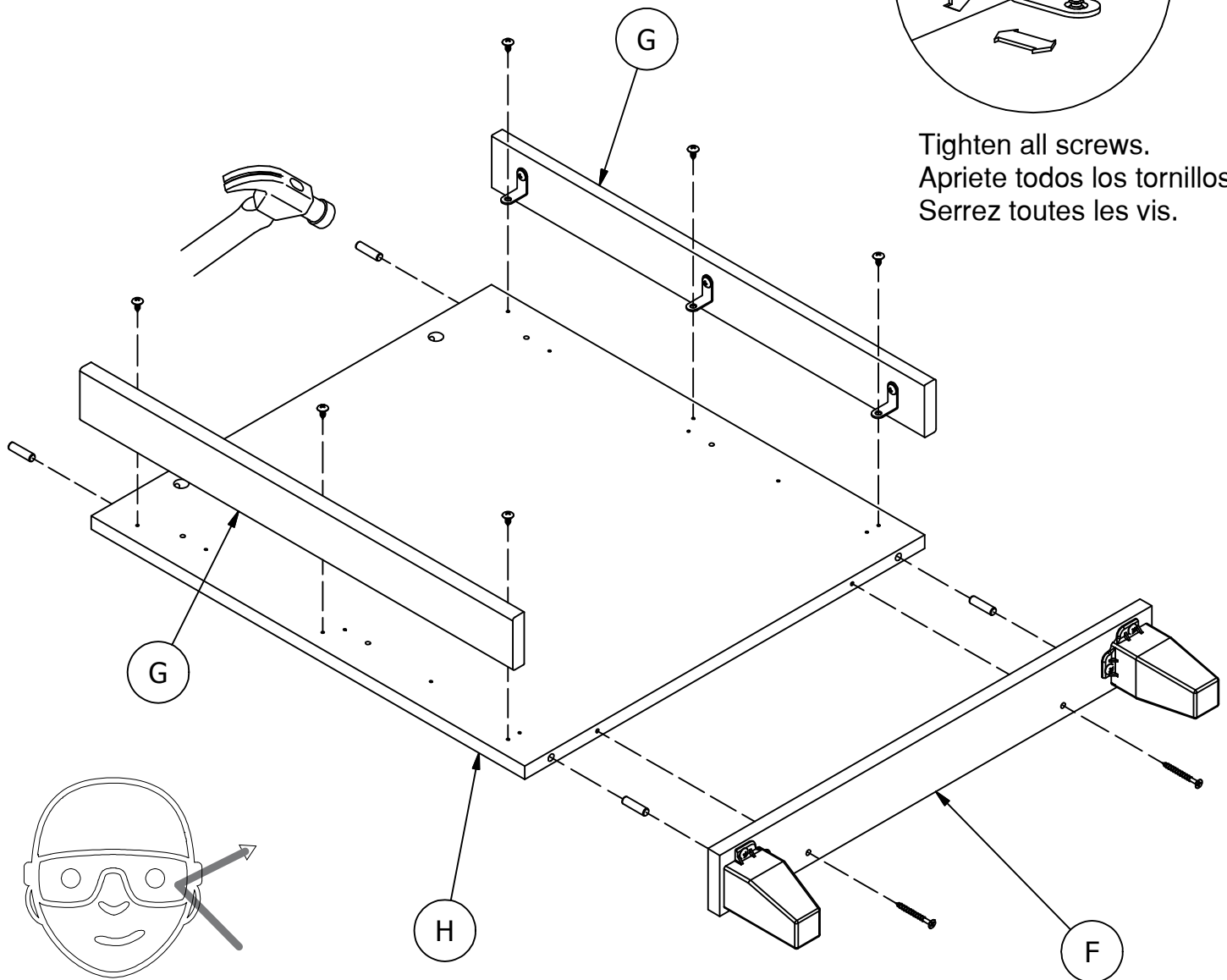
H38169  [4]
Wood Dowel 8 x 30

H23491  [2]
#10 x 2"

H35251  [6]
#10 x 1/2"



Tighten all screws.
Apriete todos los tornillos.
Serrez toutes les vis.

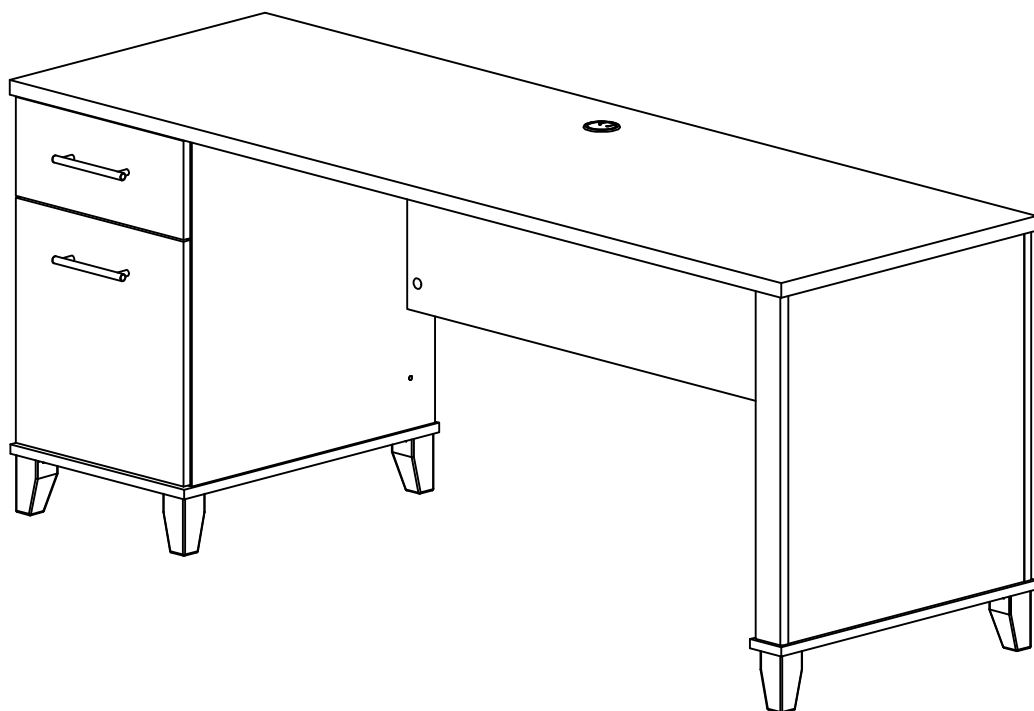


Safety glasses
Gafas de seguridad
Lunettes de protection

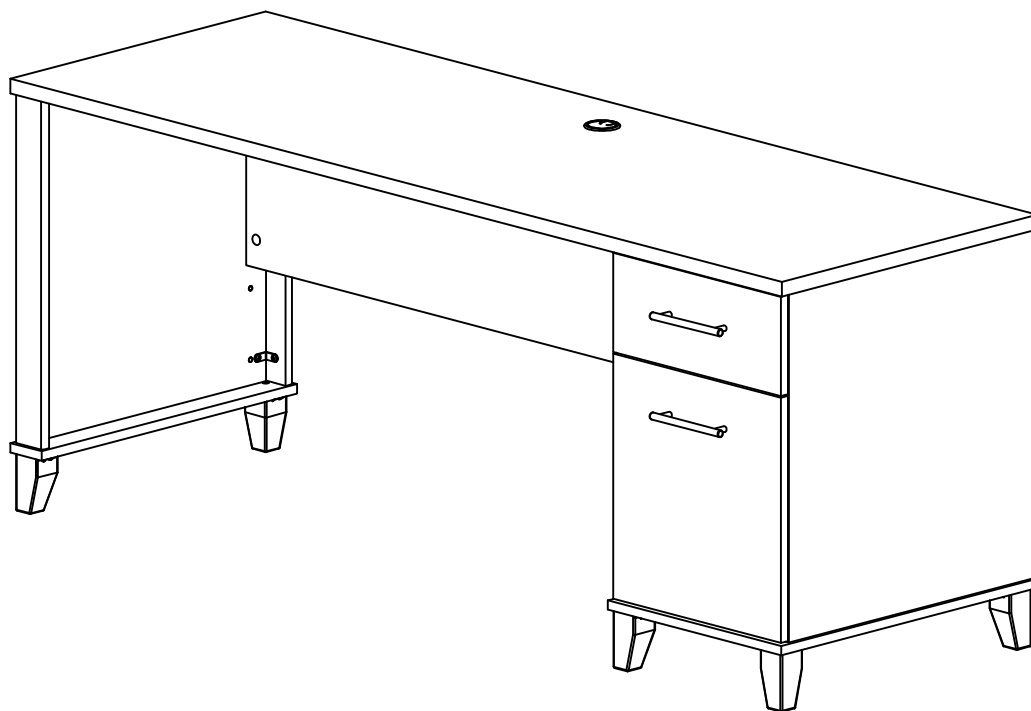
STEP 12

Options

Go to Step 13.
Proceda al paso 13.
Allez à l'étape 13.




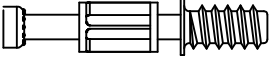
Go to Step 23.
Proceda al paso 23.
Allez à l'étape 23.



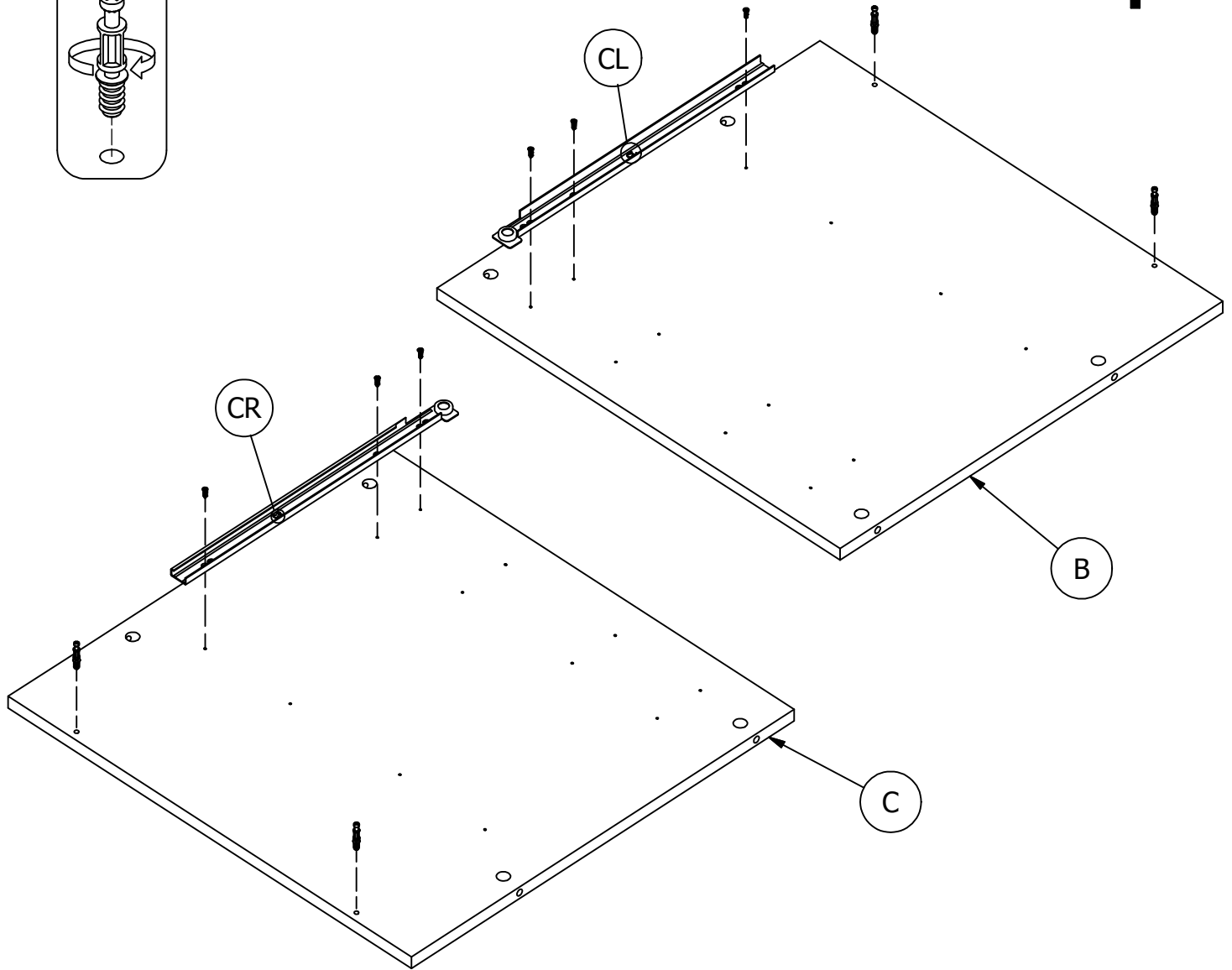
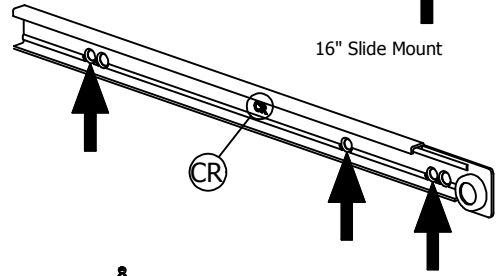
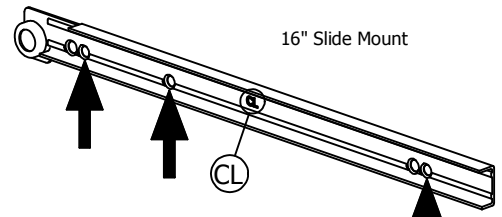
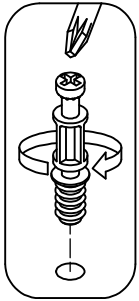
STEP 13

Prepare Panels

H28917  [6]
#6 x 1/2"


H72988  [4]
KD Bolt

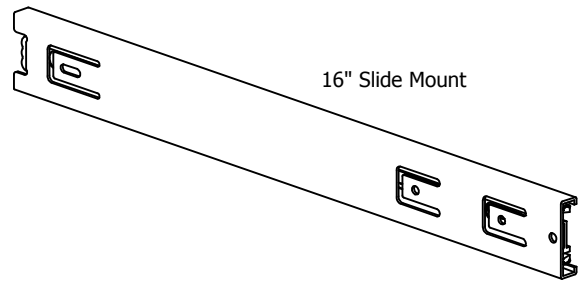
How to Separate
and Install Drawer
Slides



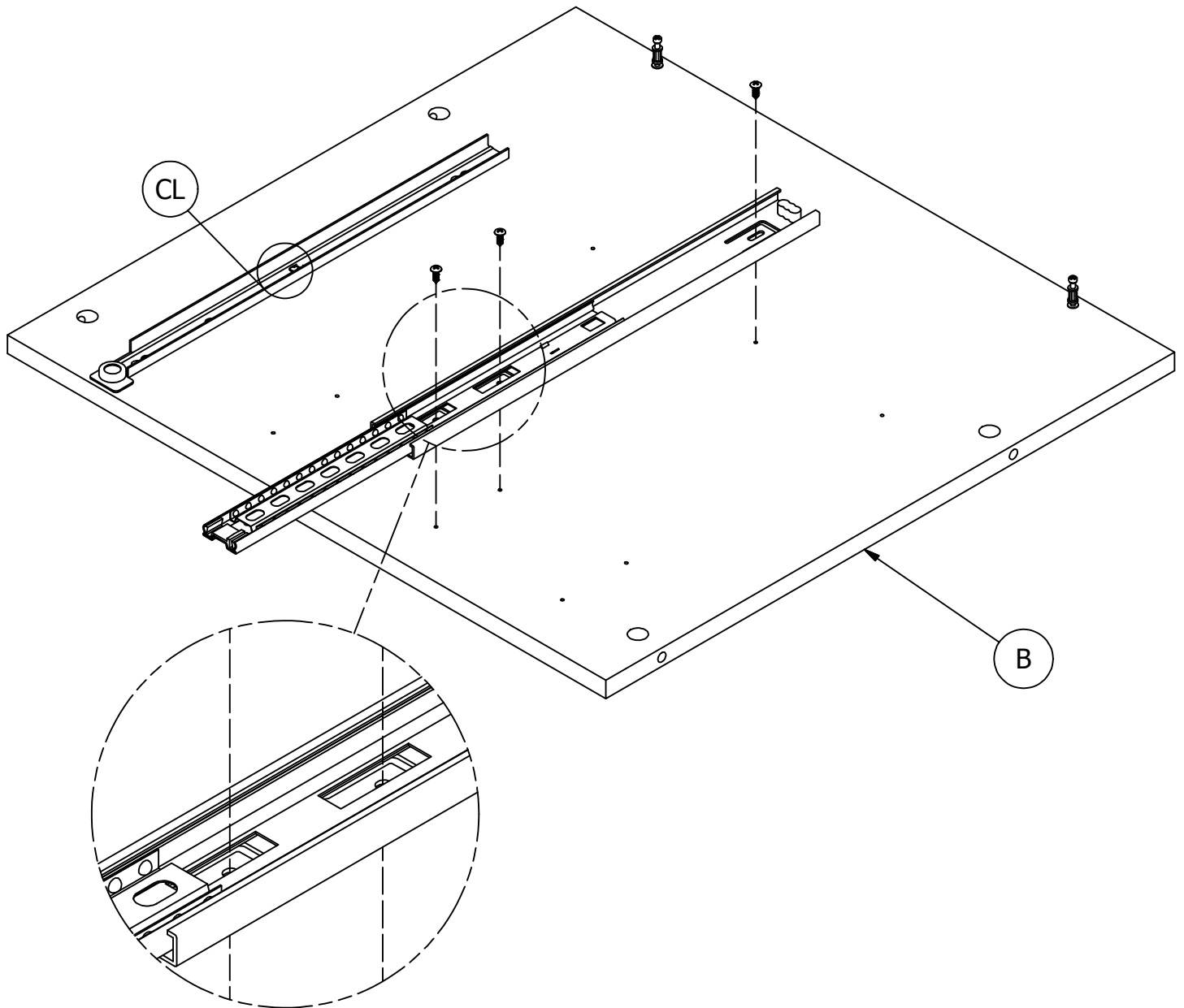
STEP 14

Attach Slide

H101725  [3]
#6 x 1/2"




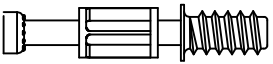
How to Separate
and Install Drawer
Slides

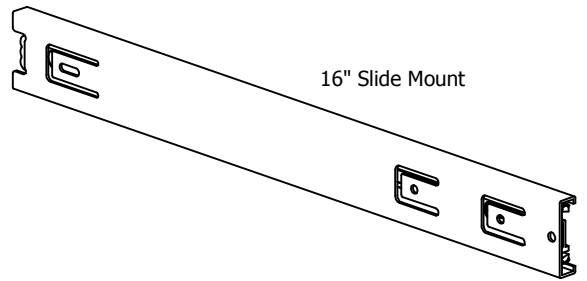


STEP 15

Attach Slide

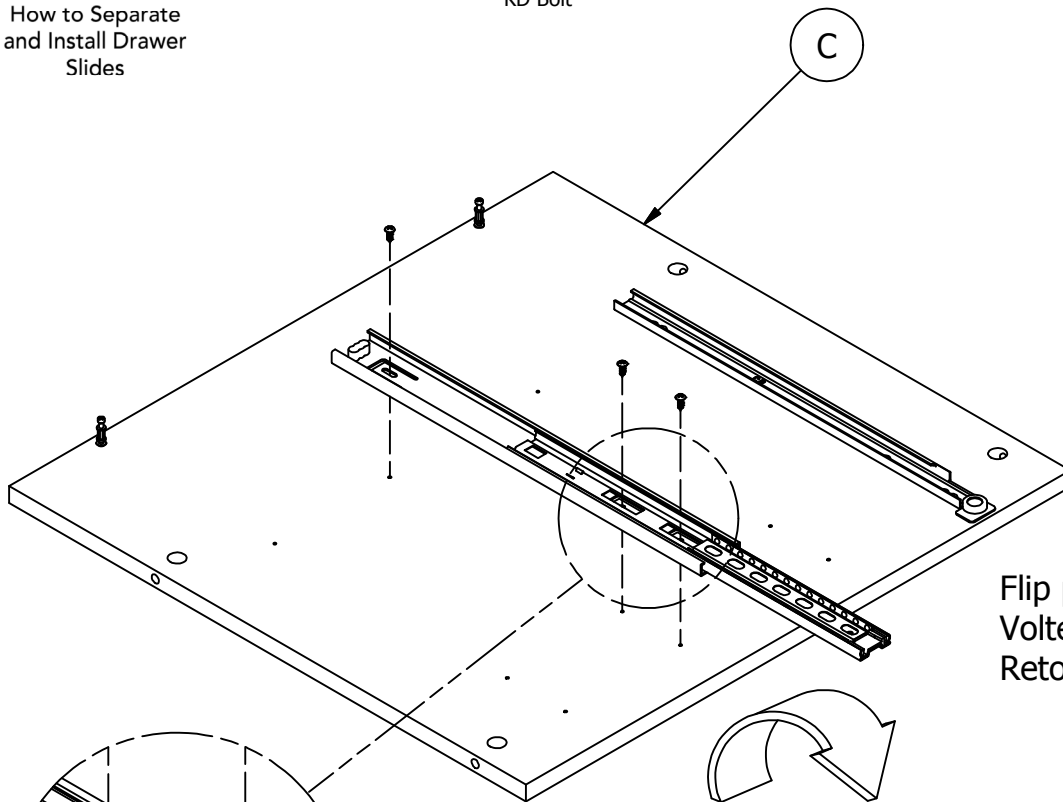
H101725  [3]
#6 x 1/2"

H72988  [2]
KD Bolt

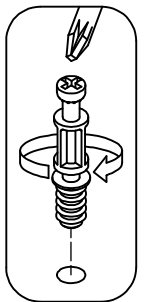
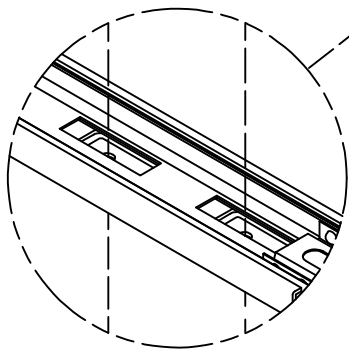


How to Separate
and Install Drawer
Slides

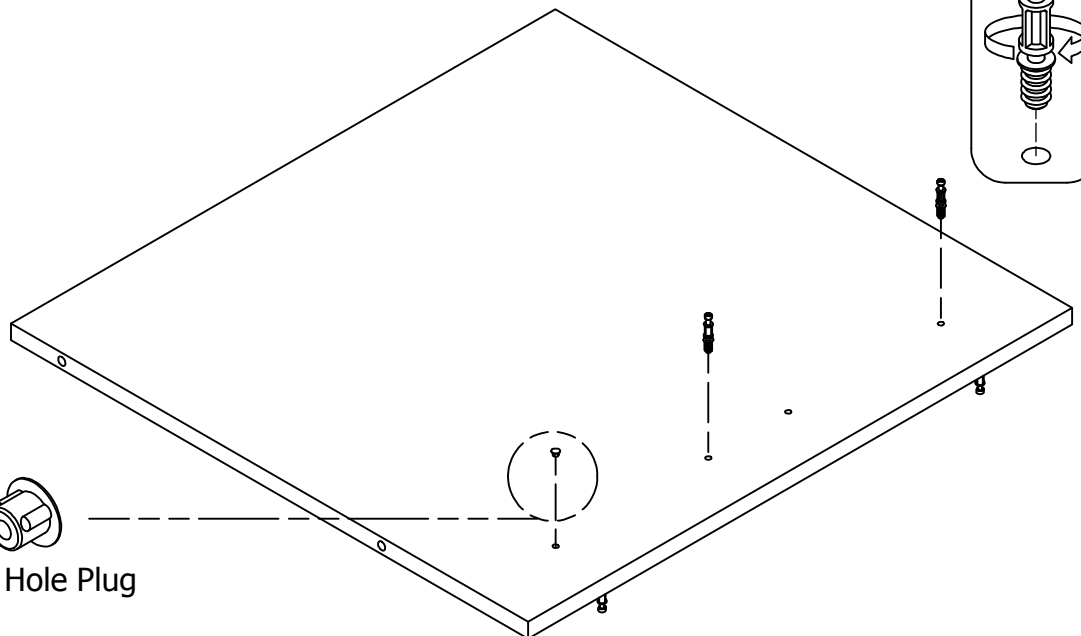
 [1]
5mm Hole Plug



Flip panel over
Voltear el panel
Retournez le panneau

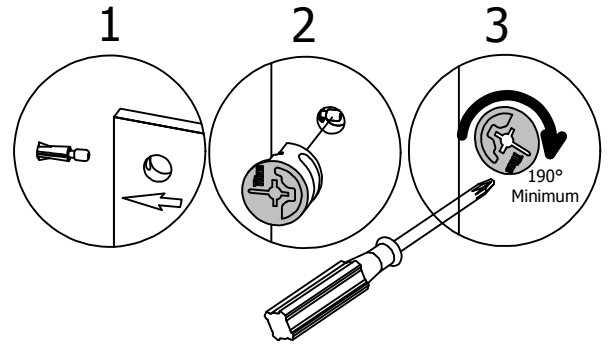
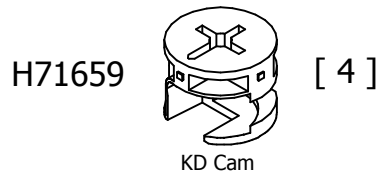


 5mm Hole Plug

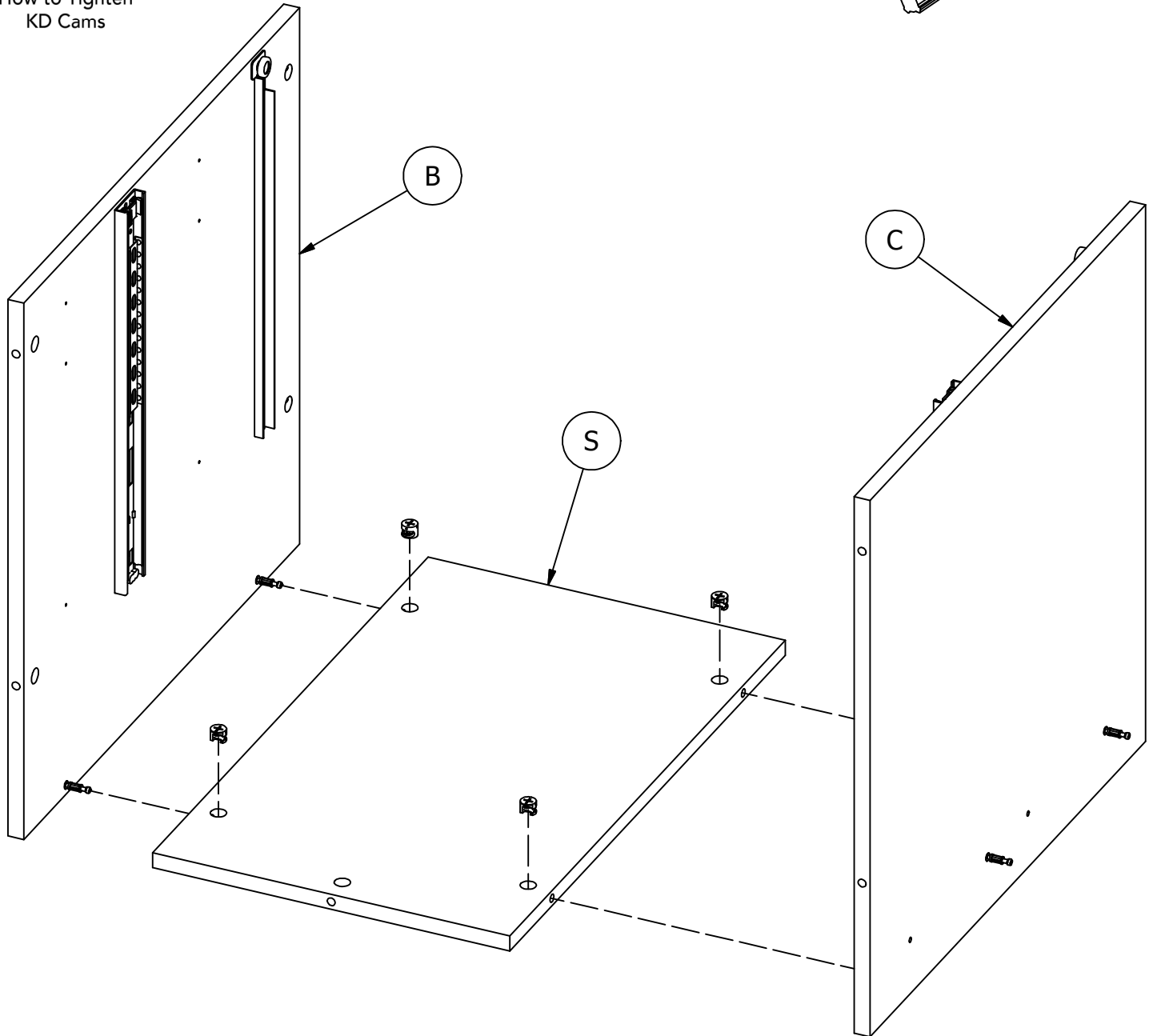


STEP 16

Assemble Pedestal

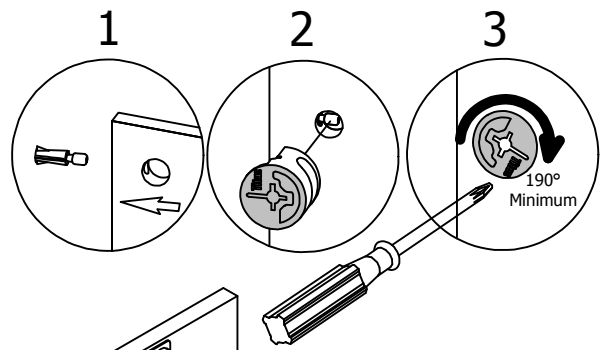
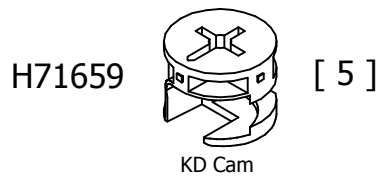


How to Tighten
KD Cams

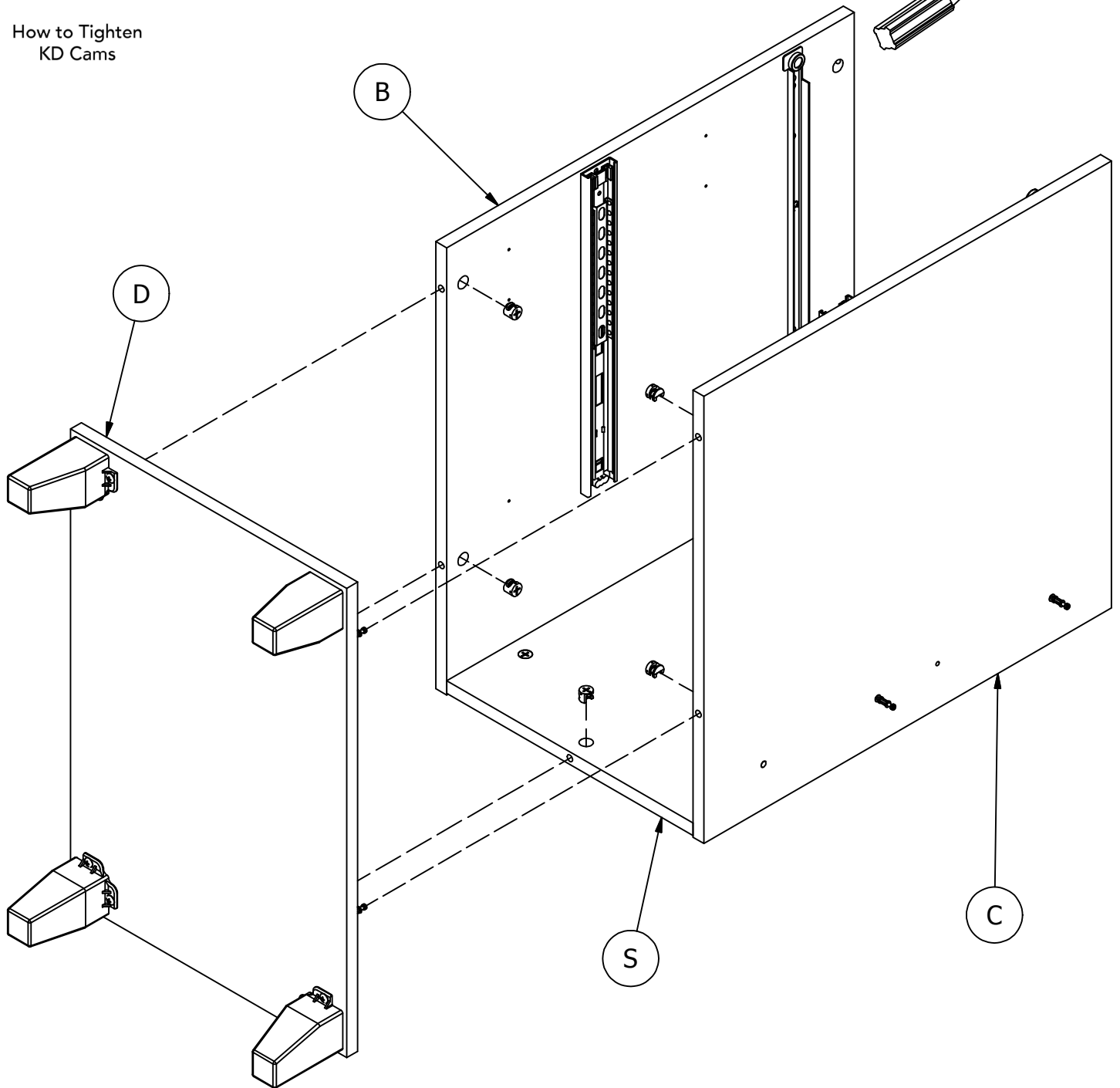


STEP 17

Attach Base



How to Tighten
KD Cams



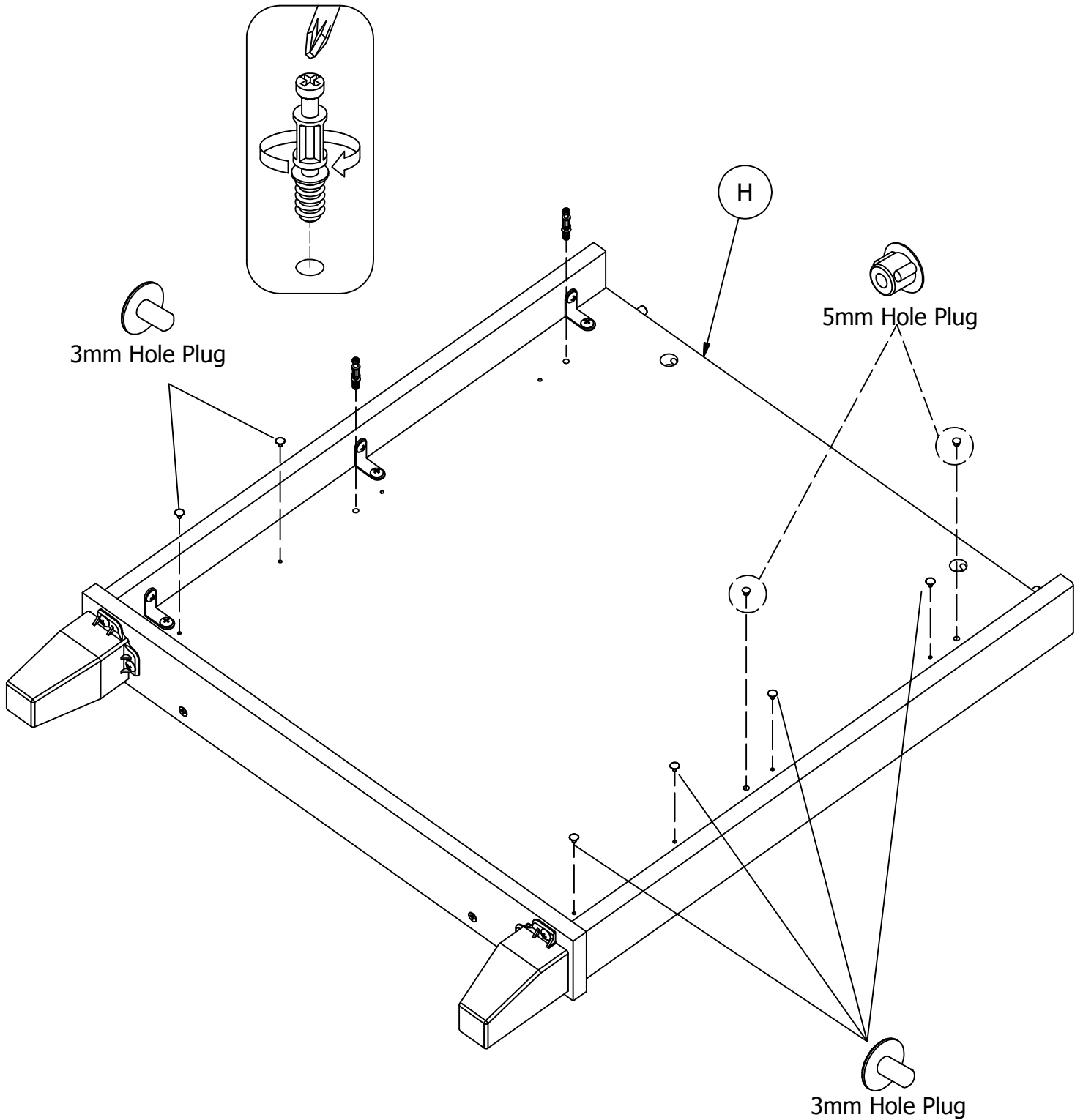
STEP 18

Prepare Base

H72988 [2]
KD Bolt

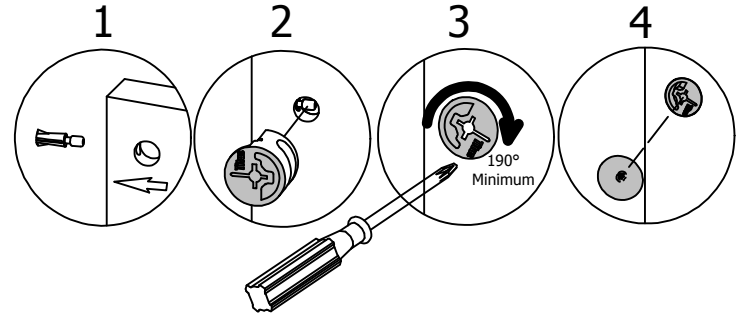
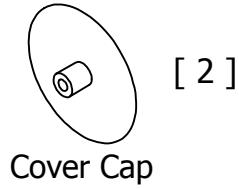
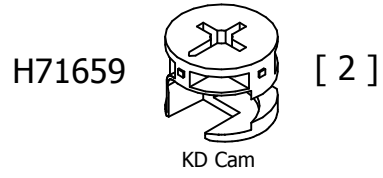
[2]
5mm Hole Plug

[6]
3mm Hole Plug

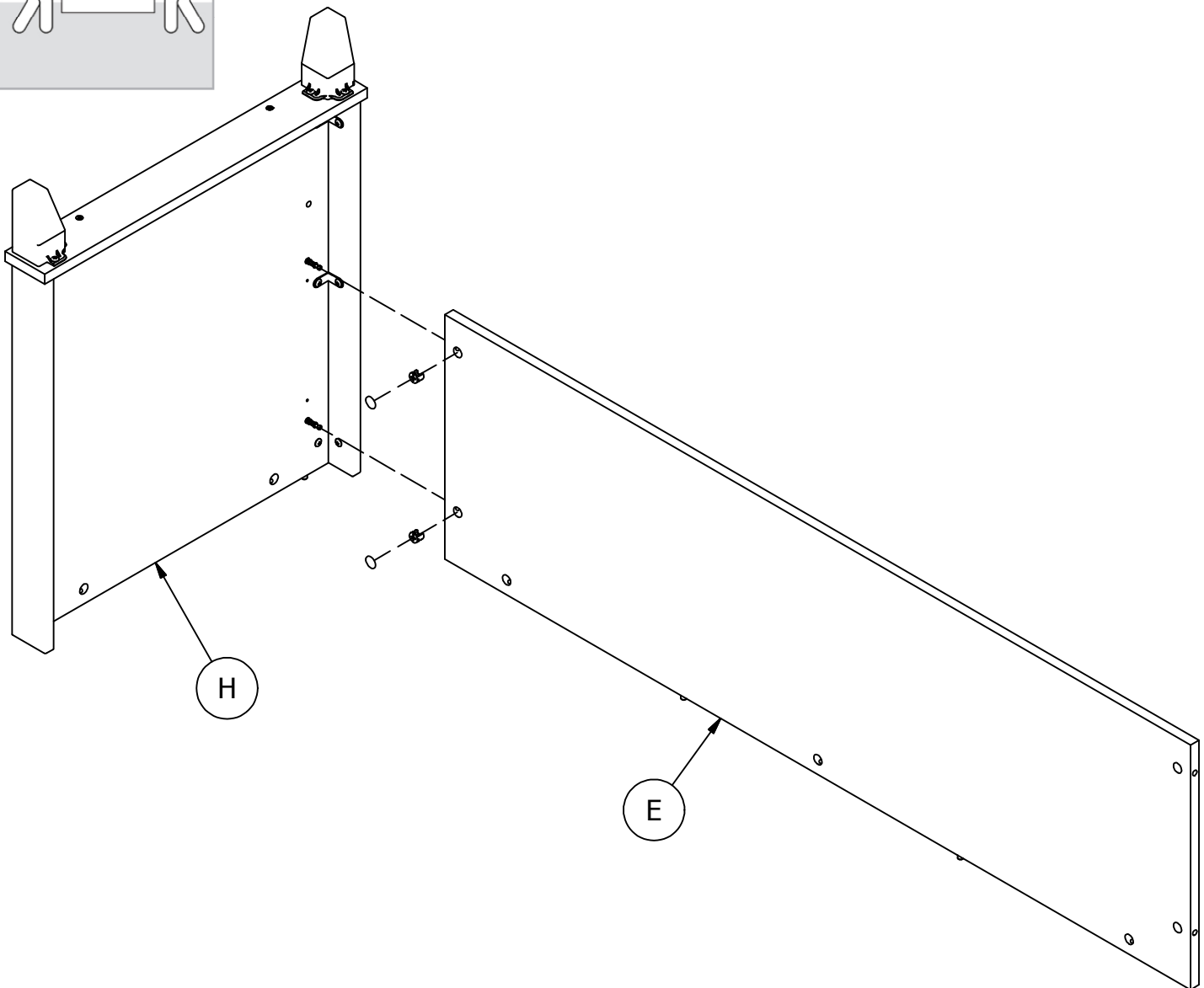
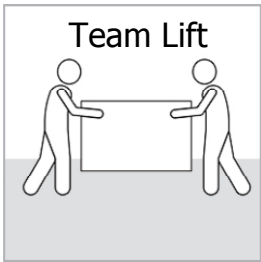


STEP 19

Attach Panel

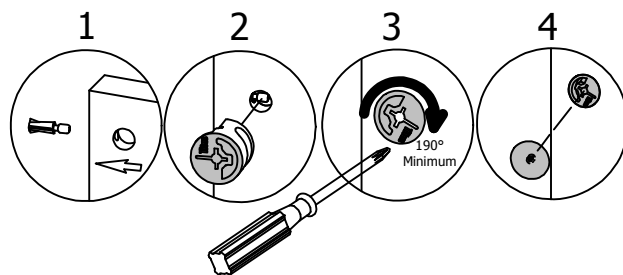
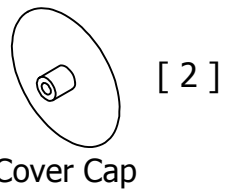
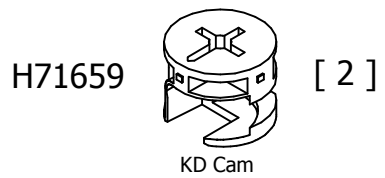


How to Tighten
KD Cams

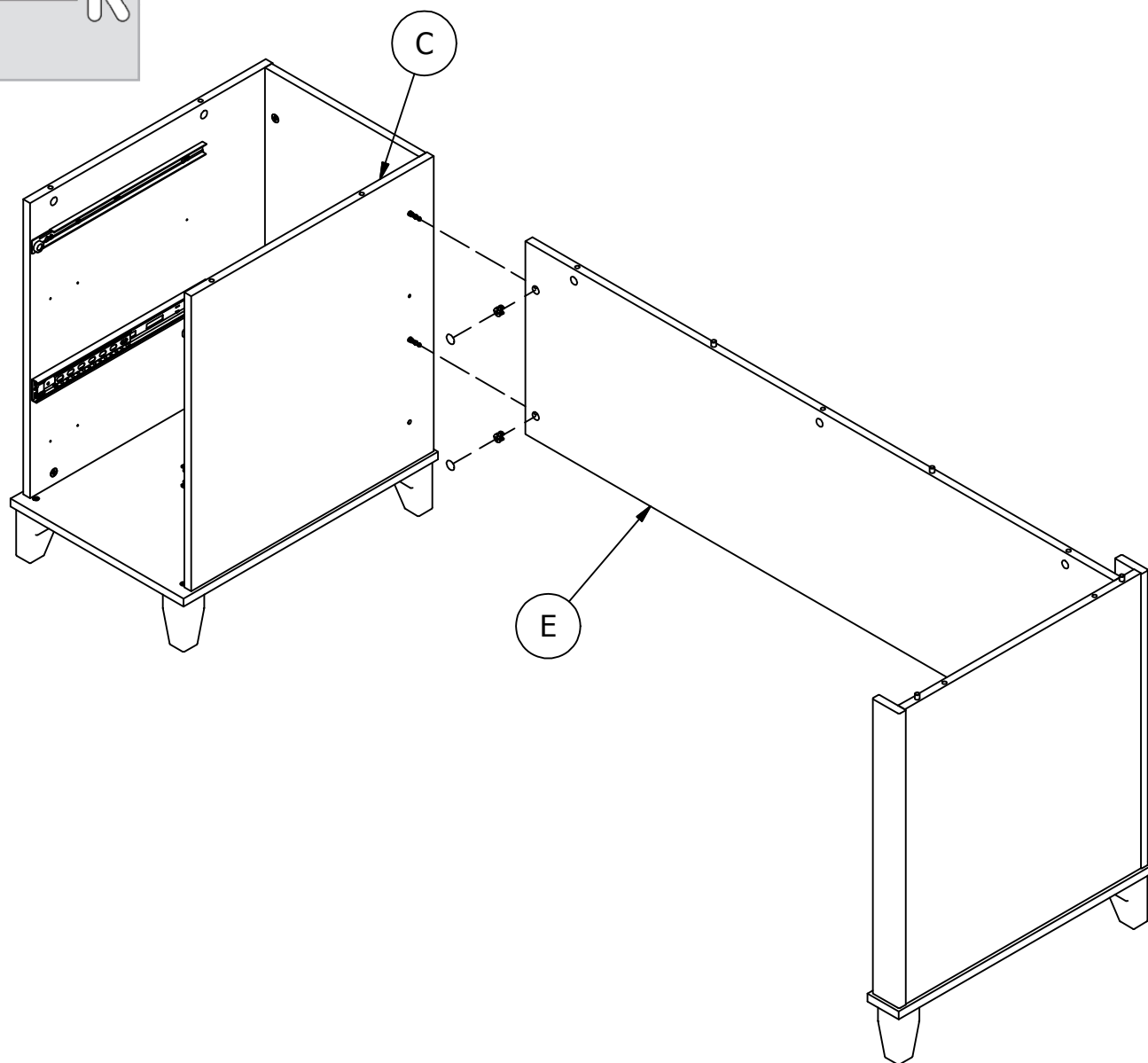
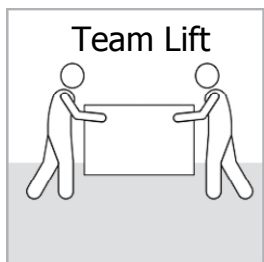


STEP 20

Attach Panel



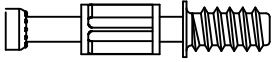
How to Tighten
KD Cams



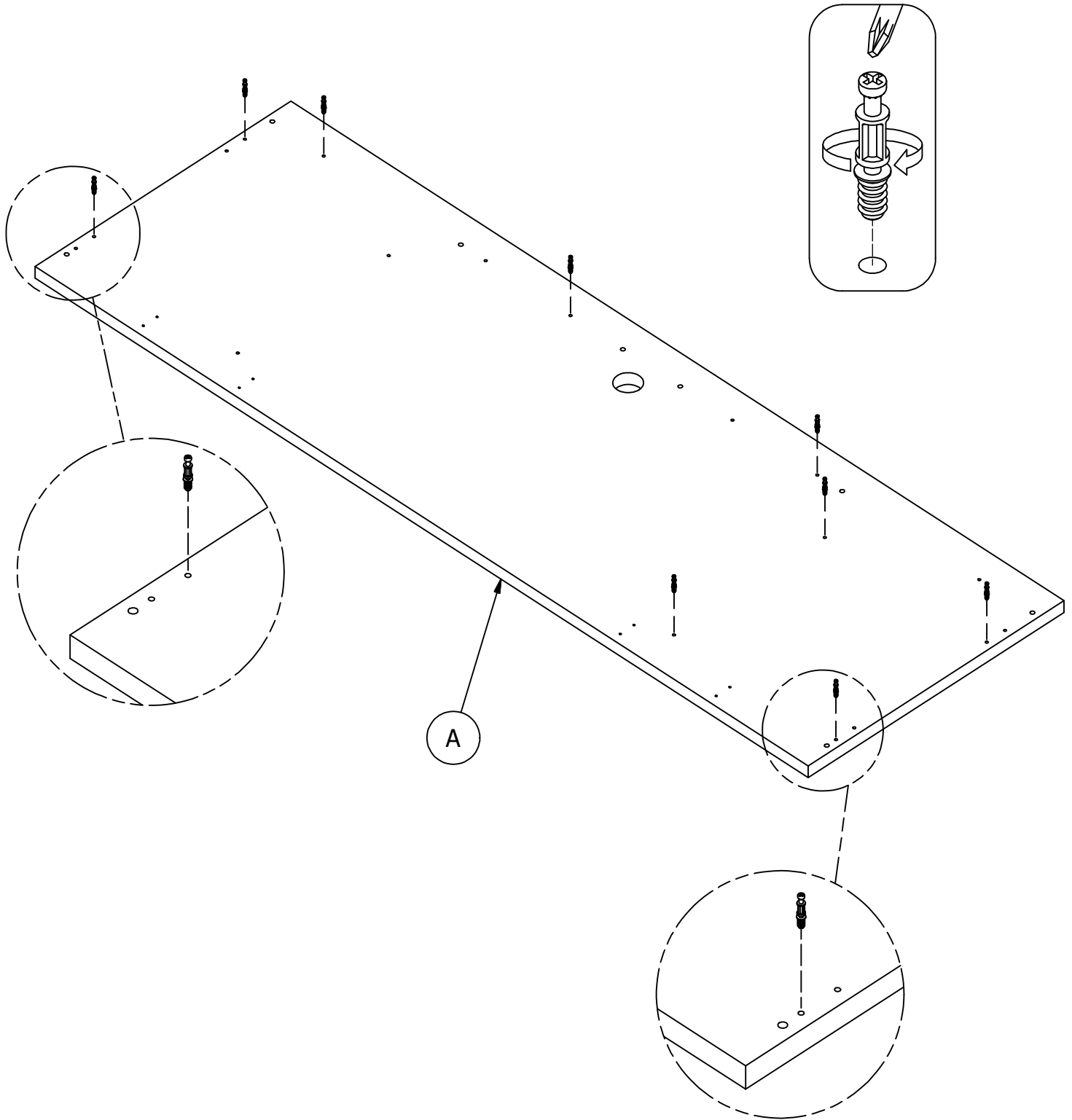
STEP 21

Prepare Work Surface

H72988 [9]

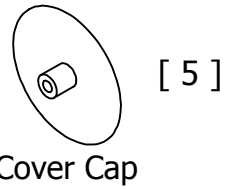
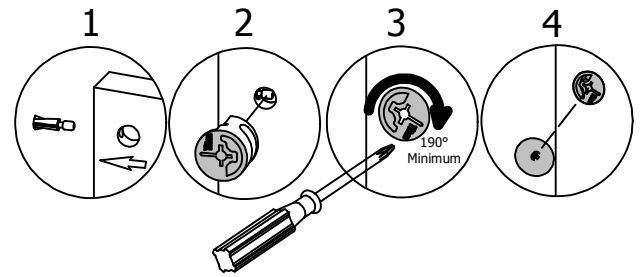
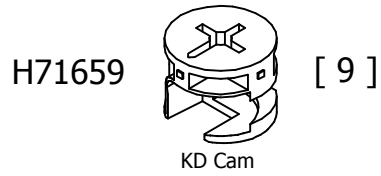


KD Bolt

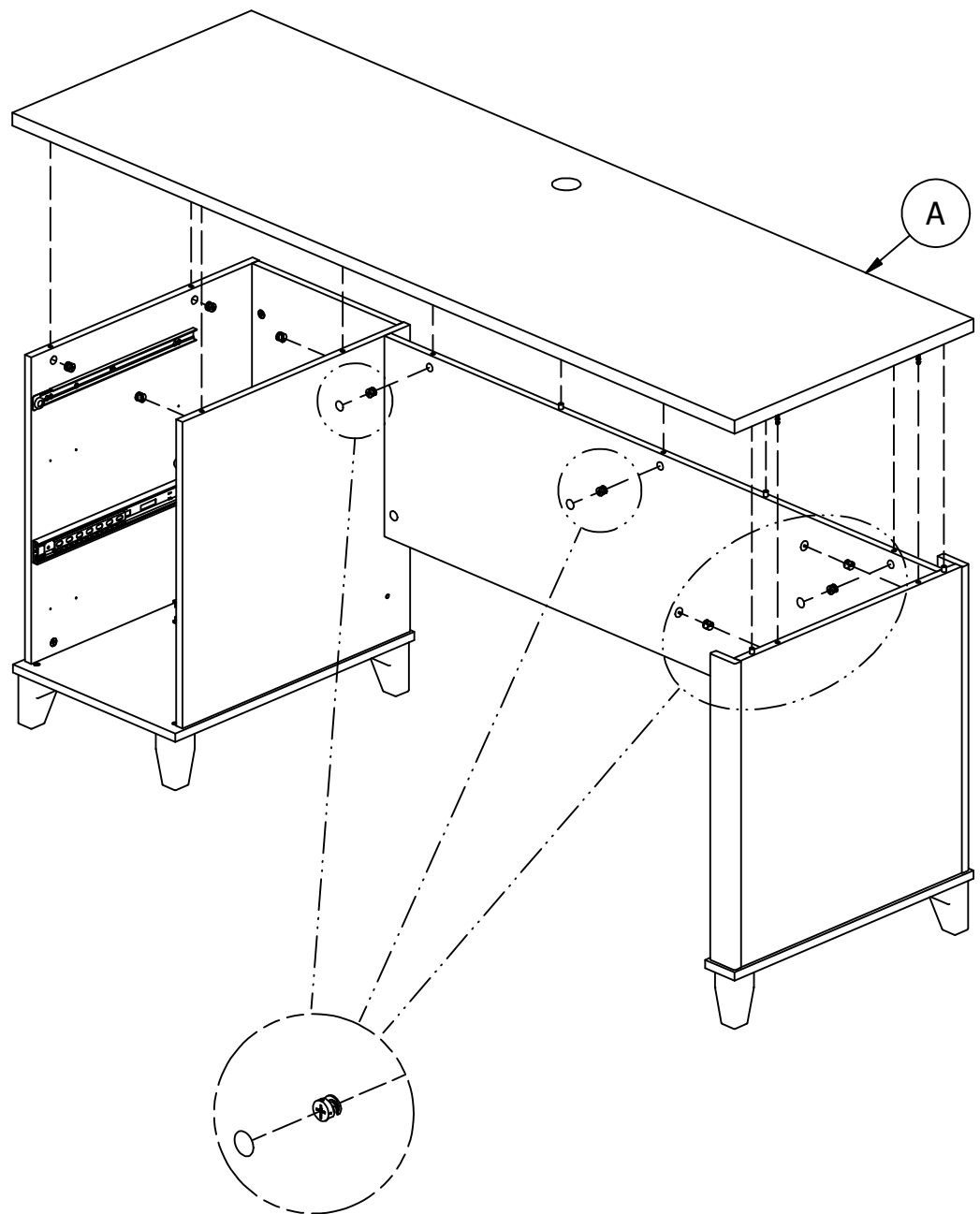
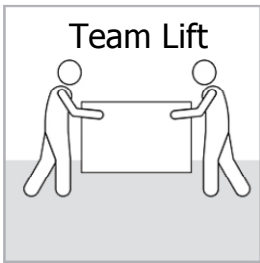


STEP 22

Attach Work Surface




How to Tighten
KD Cams

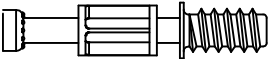


Go to Step 33.
Proceda al paso 33.
Allez à l'étape 33.

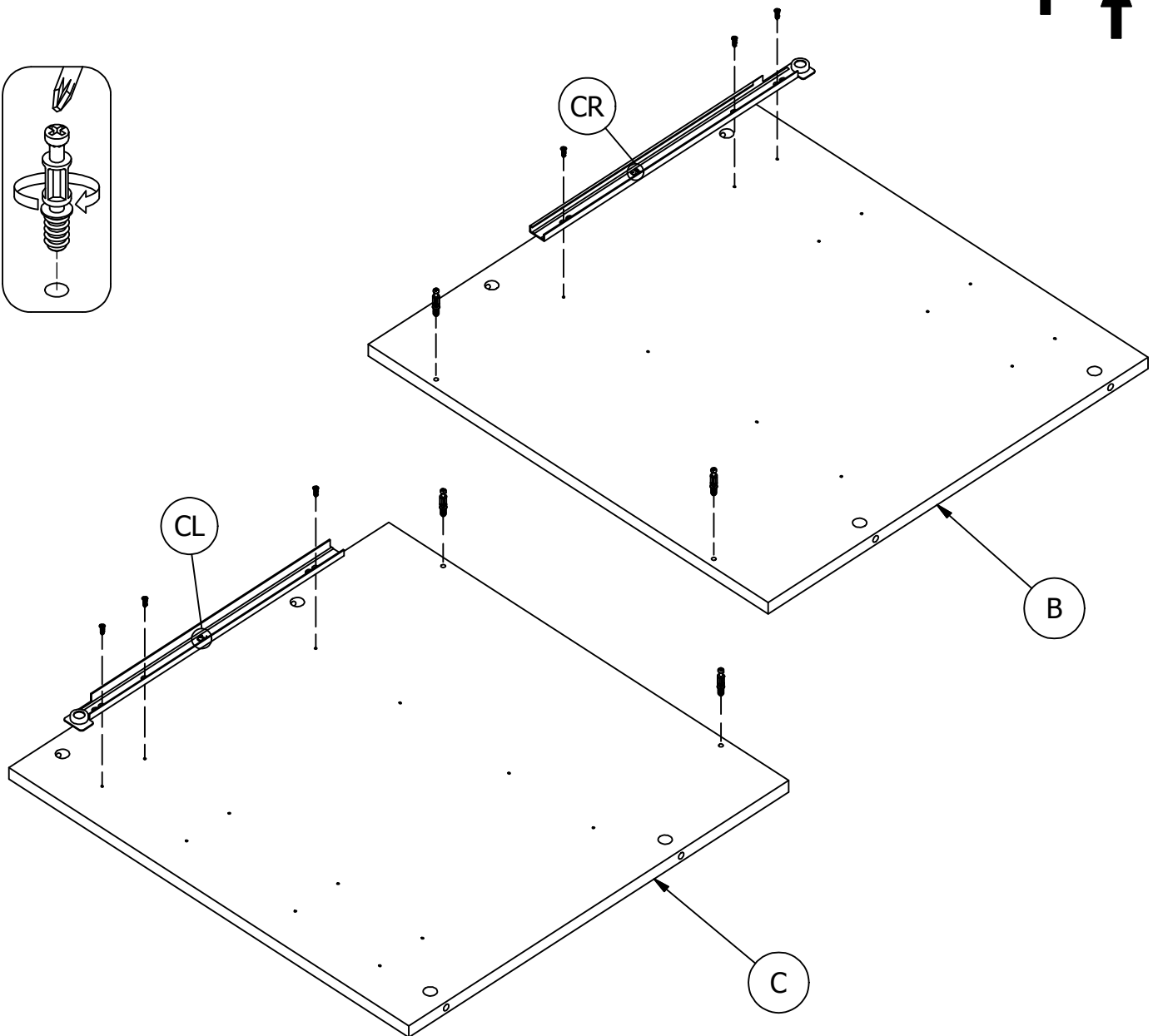
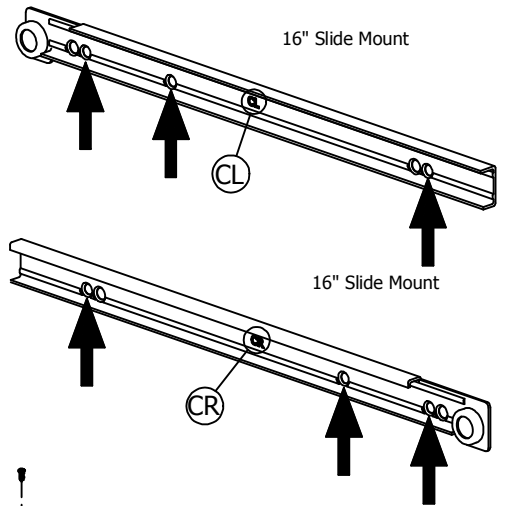
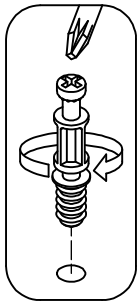
STEP 23

Prepare Panels

H28917  [6]
#6 x 1/2"

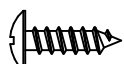
H72988  [4]
KD Bolt

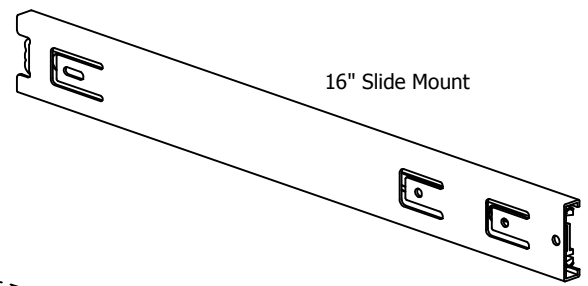
How to Separate
and Install Drawer
Slides



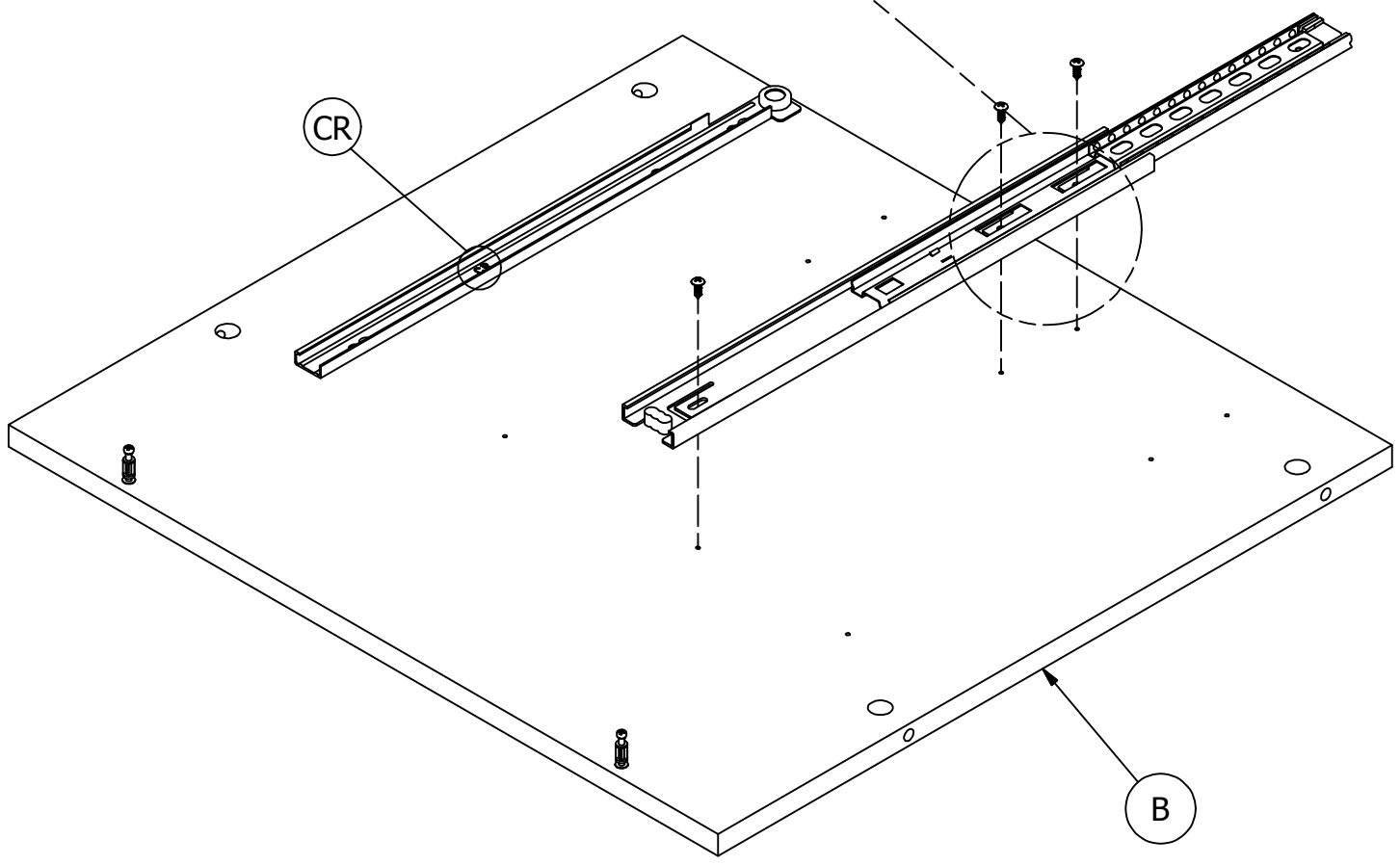
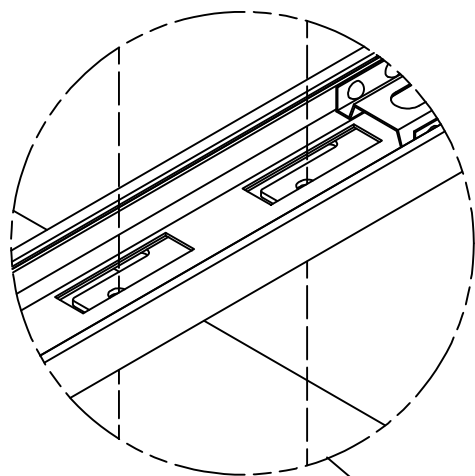
STEP 24

Attach Slides

H101725  [3]
#6 x 1/2"

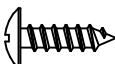


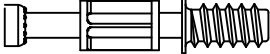
How to Separate
and Install Drawer
Slides

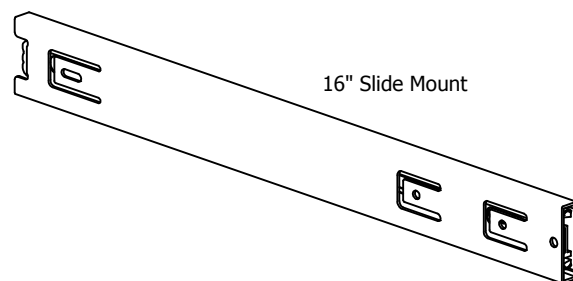


STEP 25

Attach Slide

H101725  [3]
#6 x 1/2"

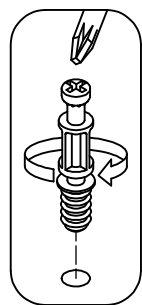
H72988  [2]
KD Bolt



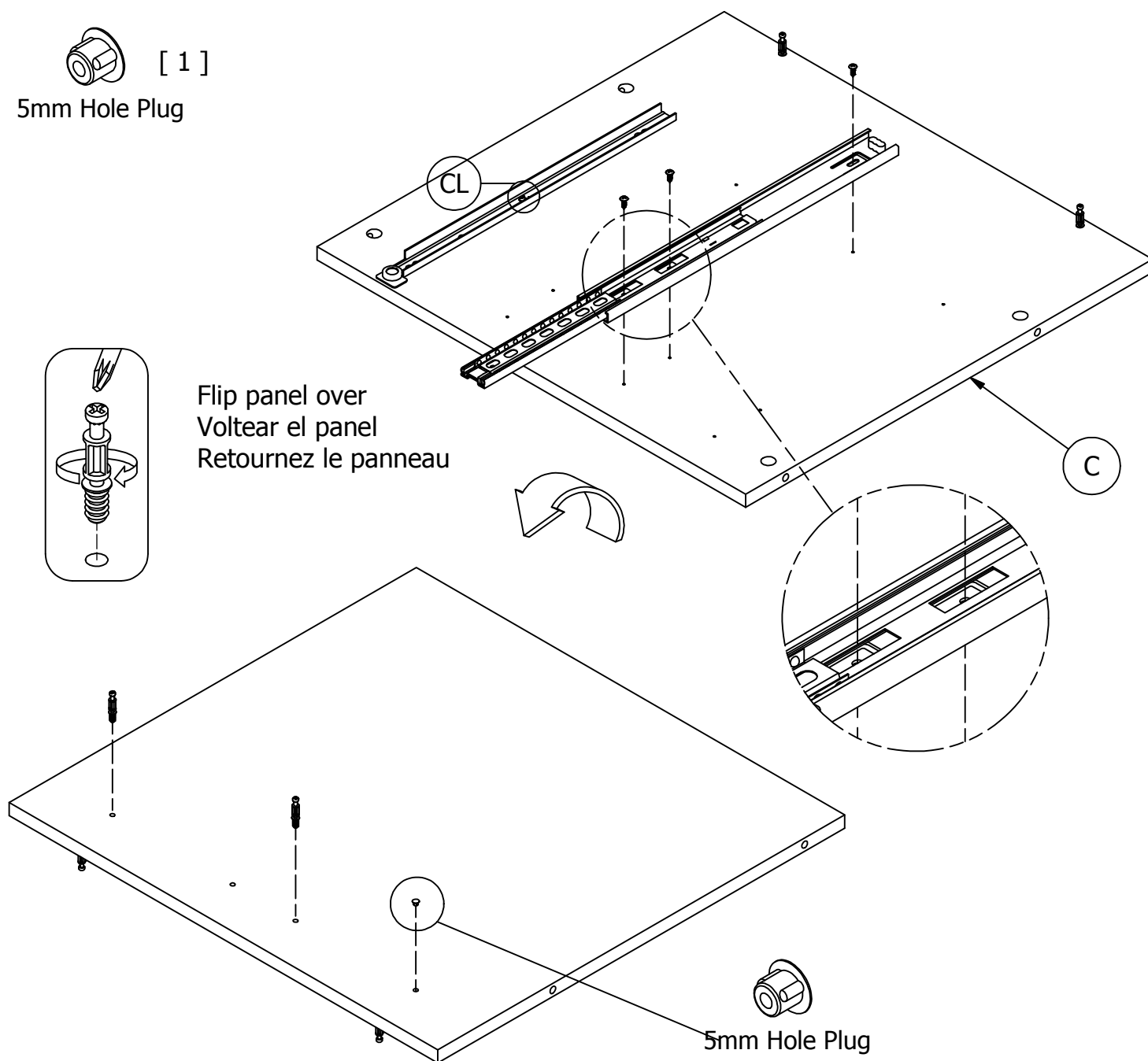
How to Separate
and Install Drawer
Slides



5mm Hole Plug

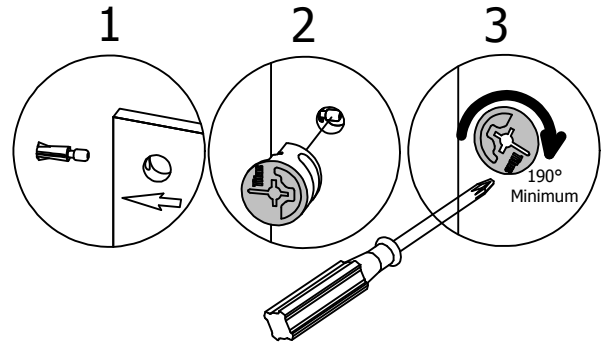
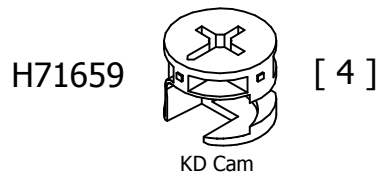


Flip panel over
Voltear el panel
Retournez le panneau

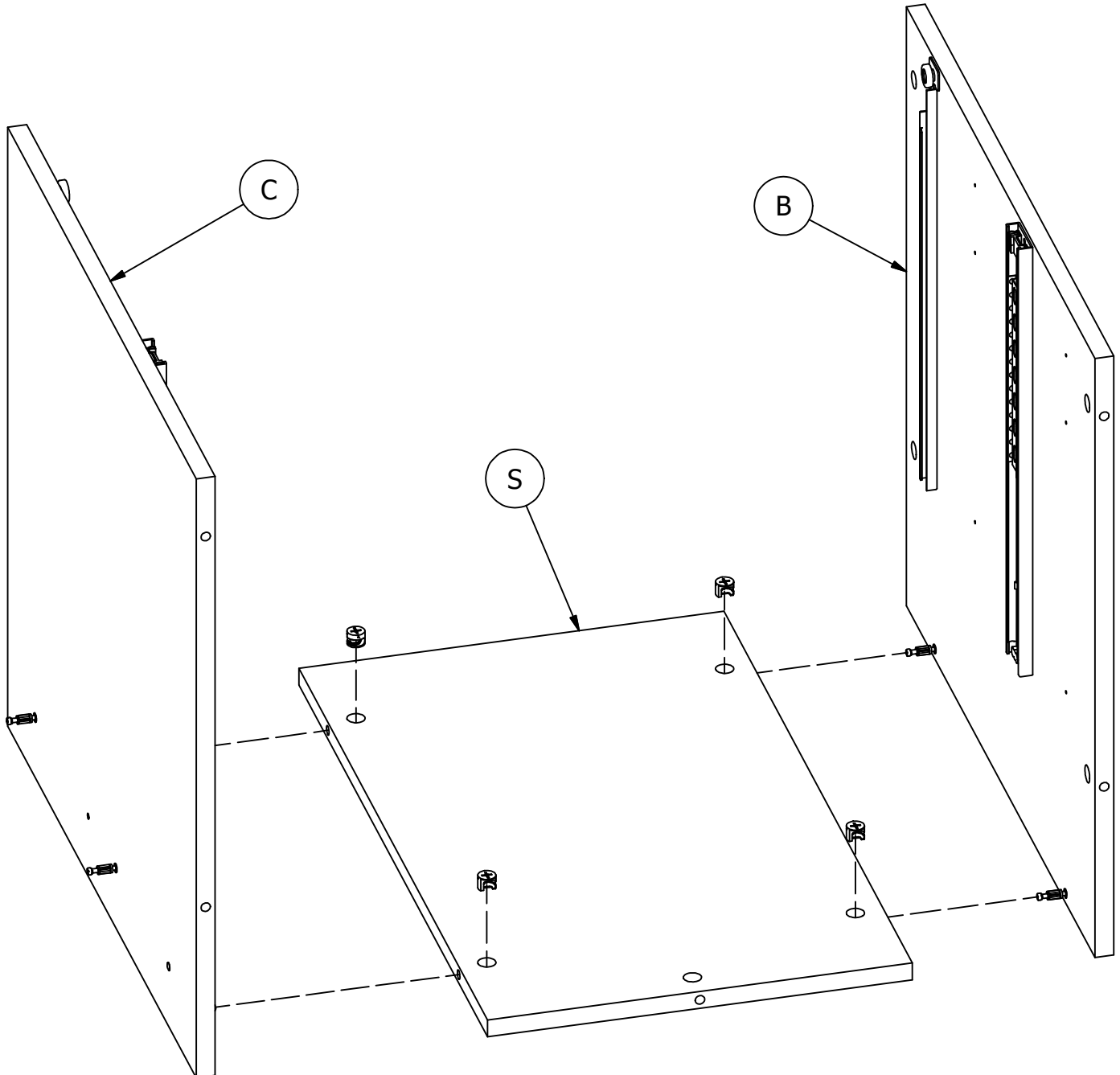


STEP 26

Assemble Pedestal

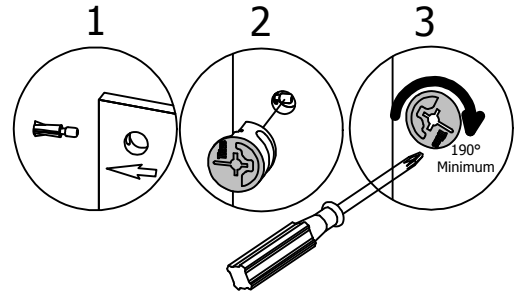
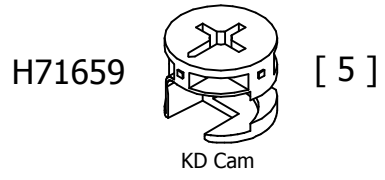


How to Tighten
KD Cams

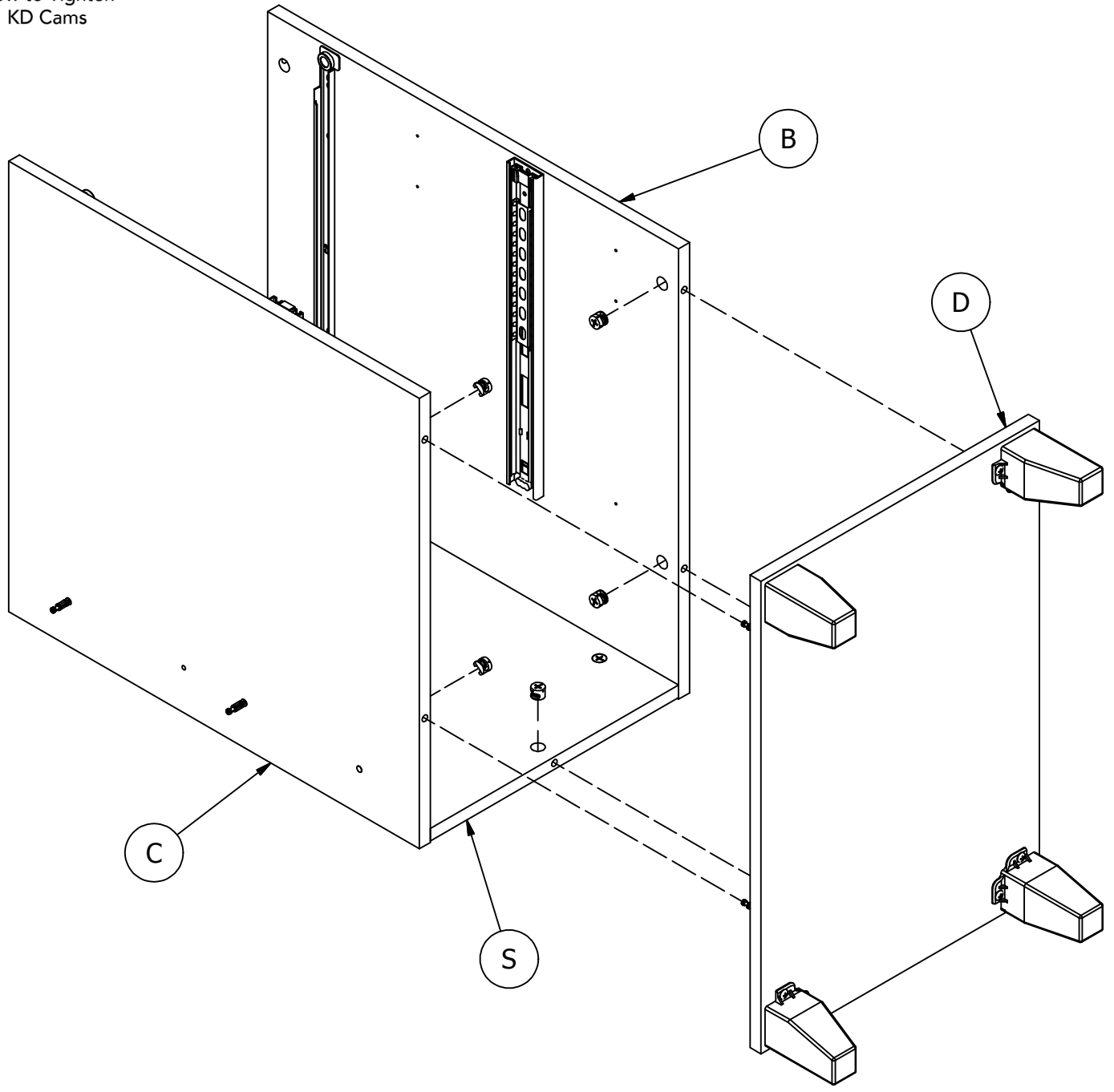


STEP 27

Attach Base



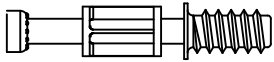
How to Tighten
KD Cams



STEP 28

Prepare Base

H72988



[2]

KD Bolt



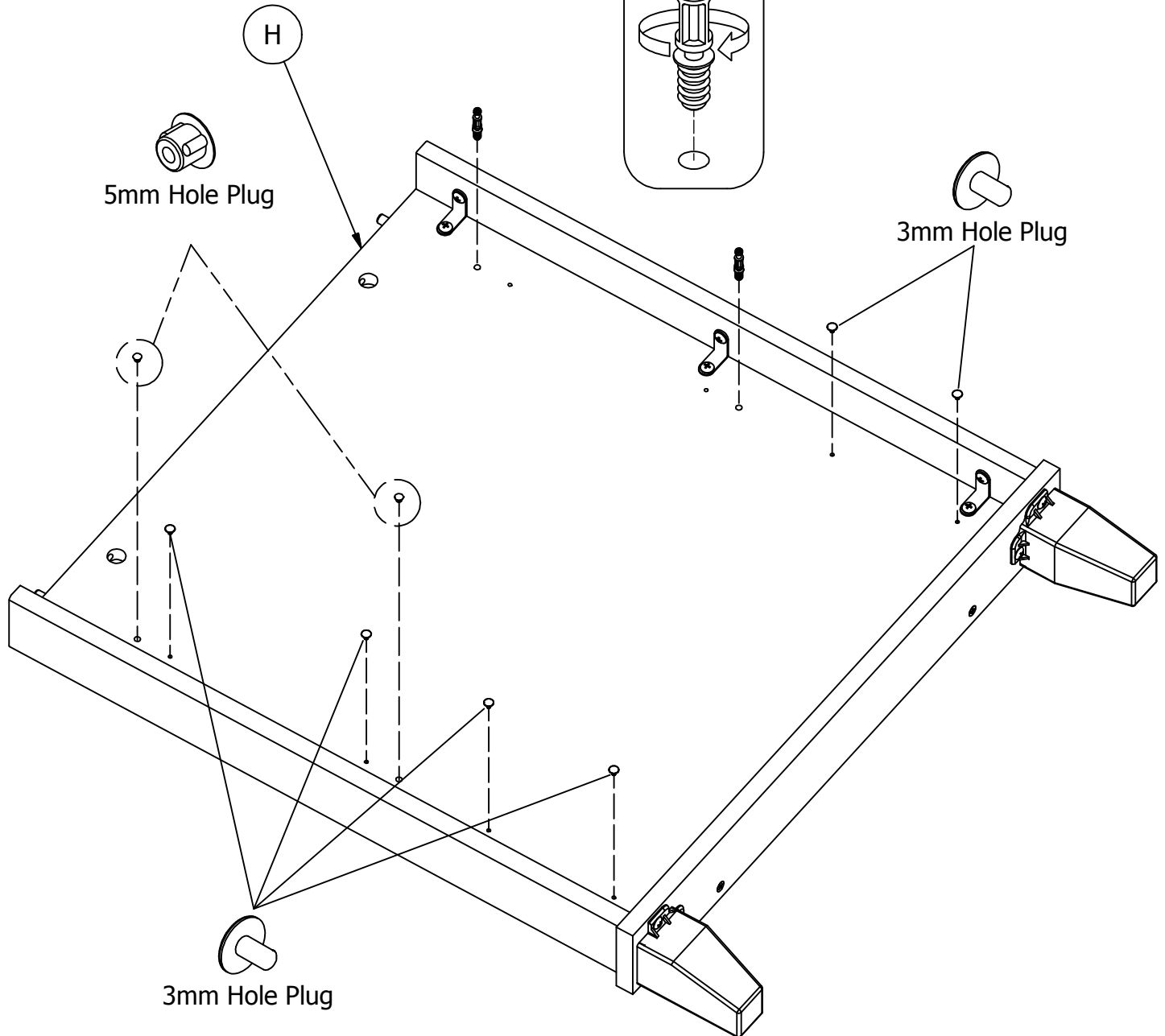
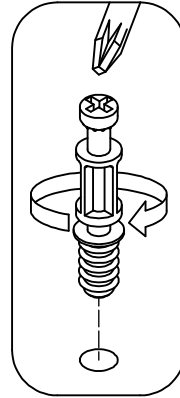
[6]

3mm Hole Plug



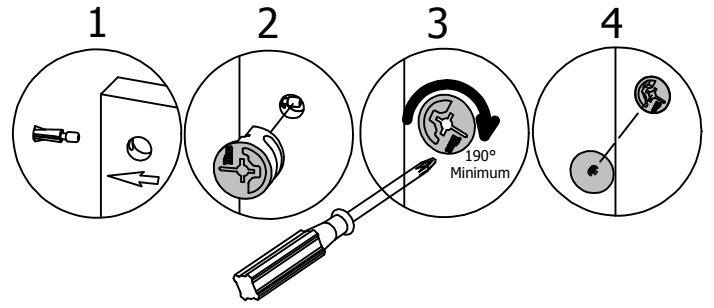
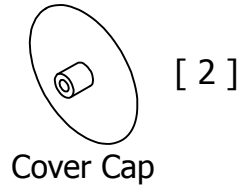
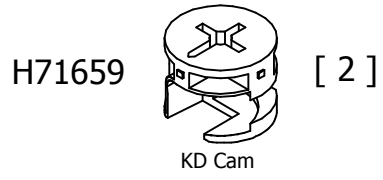
[2]

5mm Hole Plug

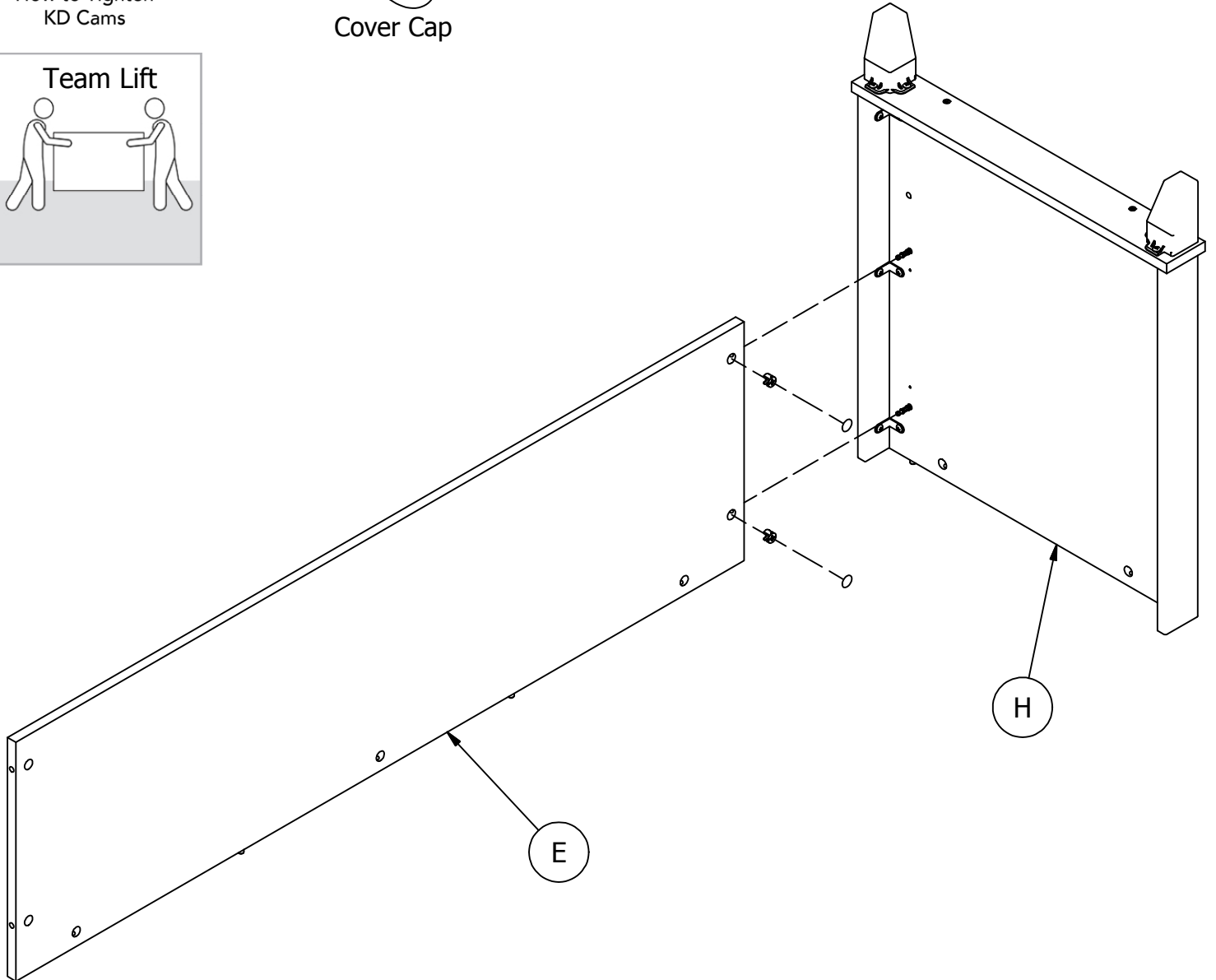
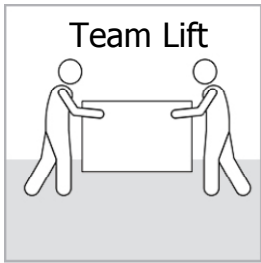


STEP 29

Attach Panel



How to Tighten
KD Cams

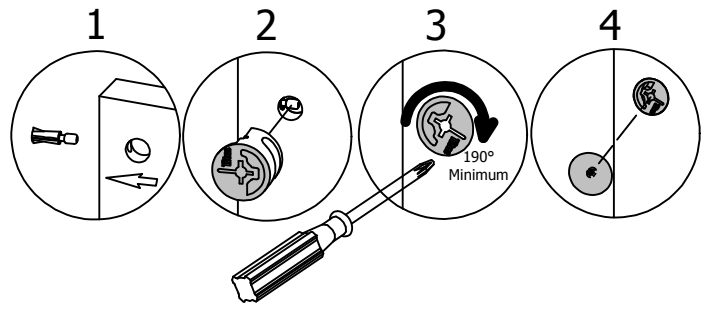


STEP 30

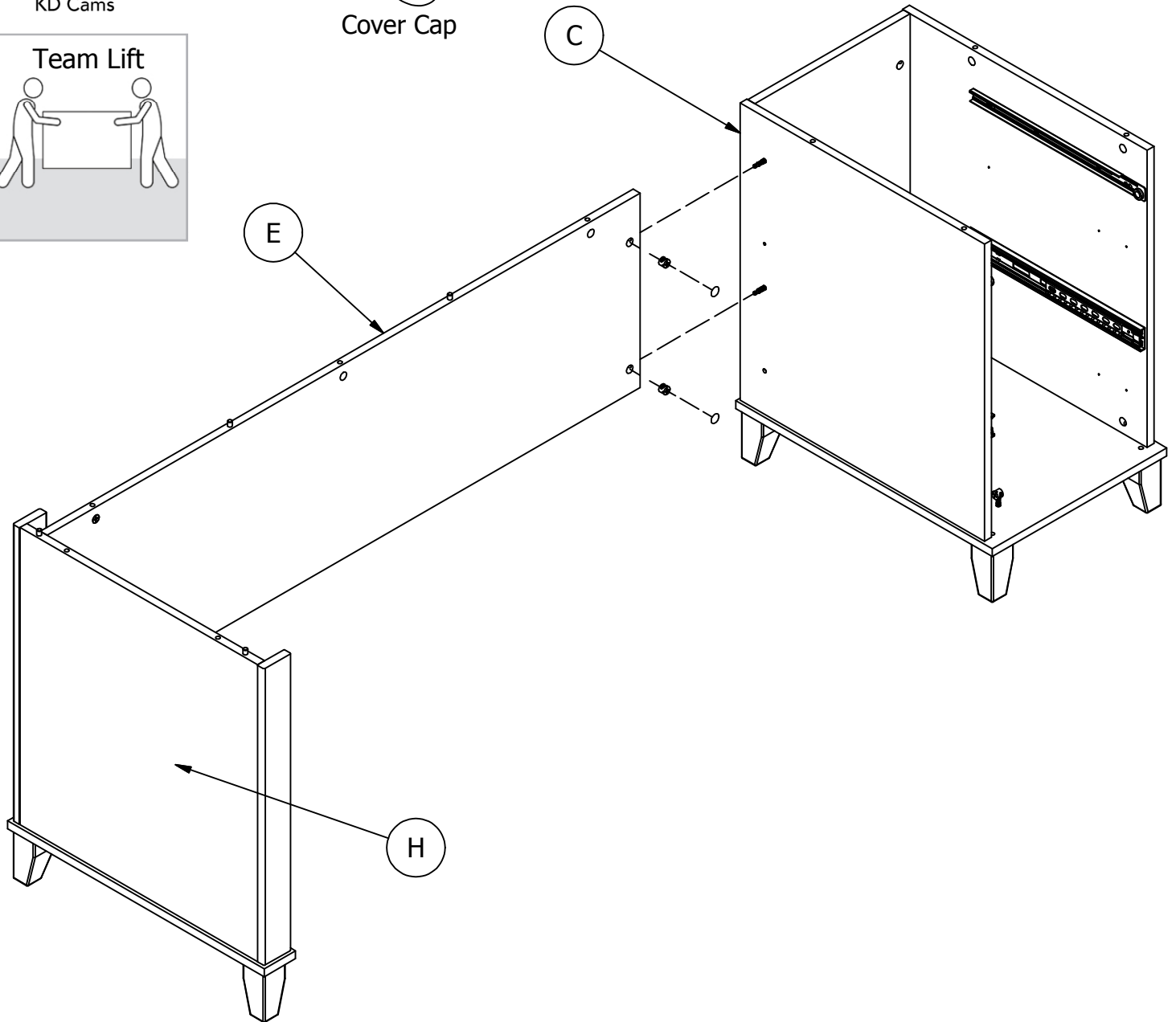
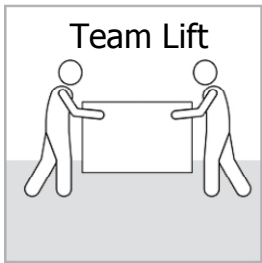
Attach Panel

H71659 [2]
KD Cam

[2]
Cover Cap



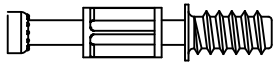
How to Tighten
KD Cams



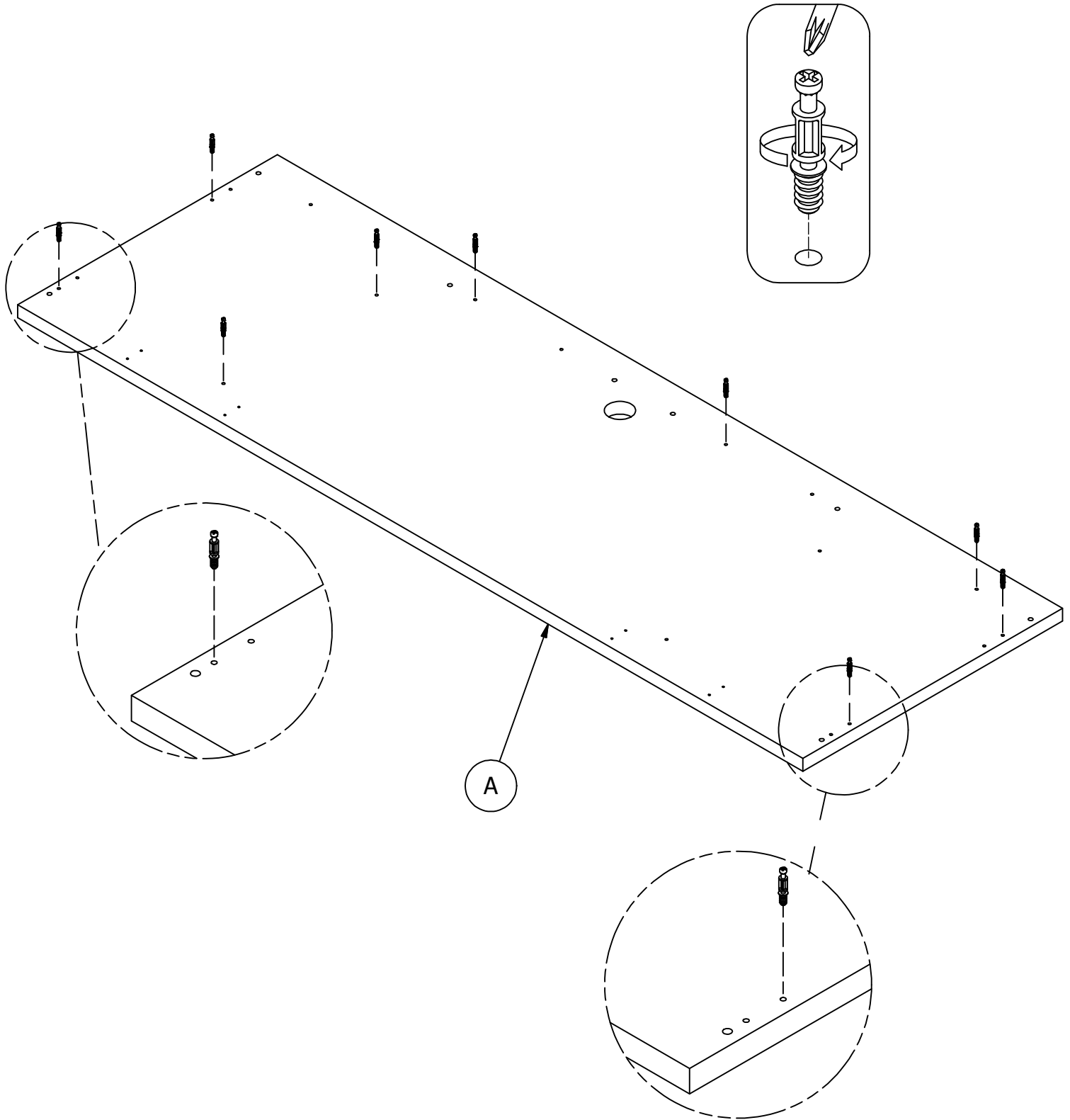
STEP 31

Prepare Work Surface

H72988 [9]

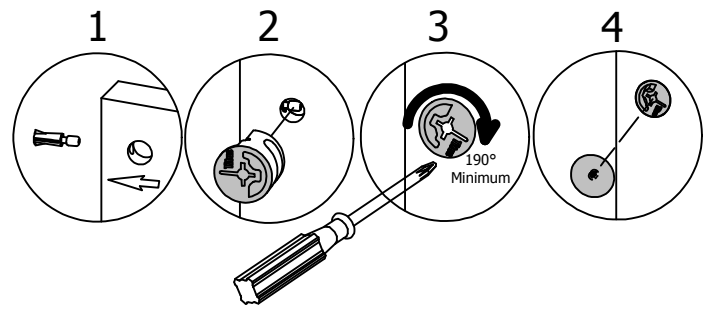
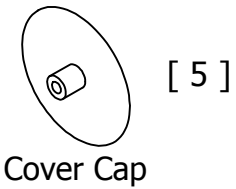
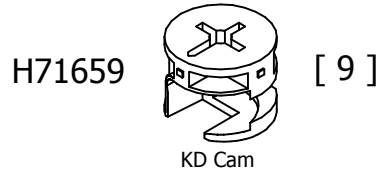


KD Bolt

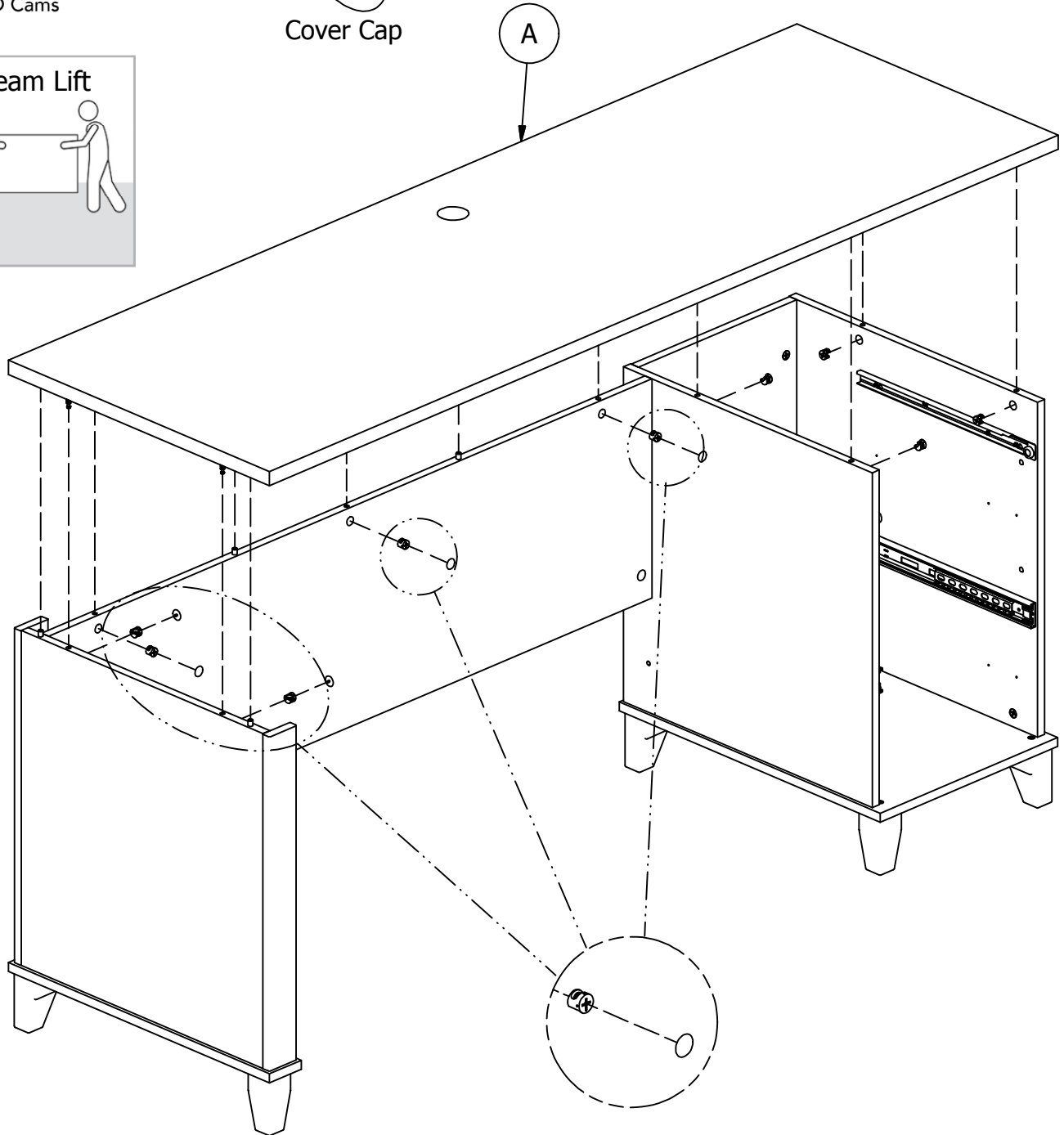
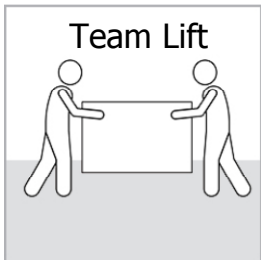


STEP 32

Attach Work Surface

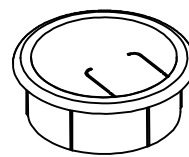


How to Tighten
KD Cams



STEP 33

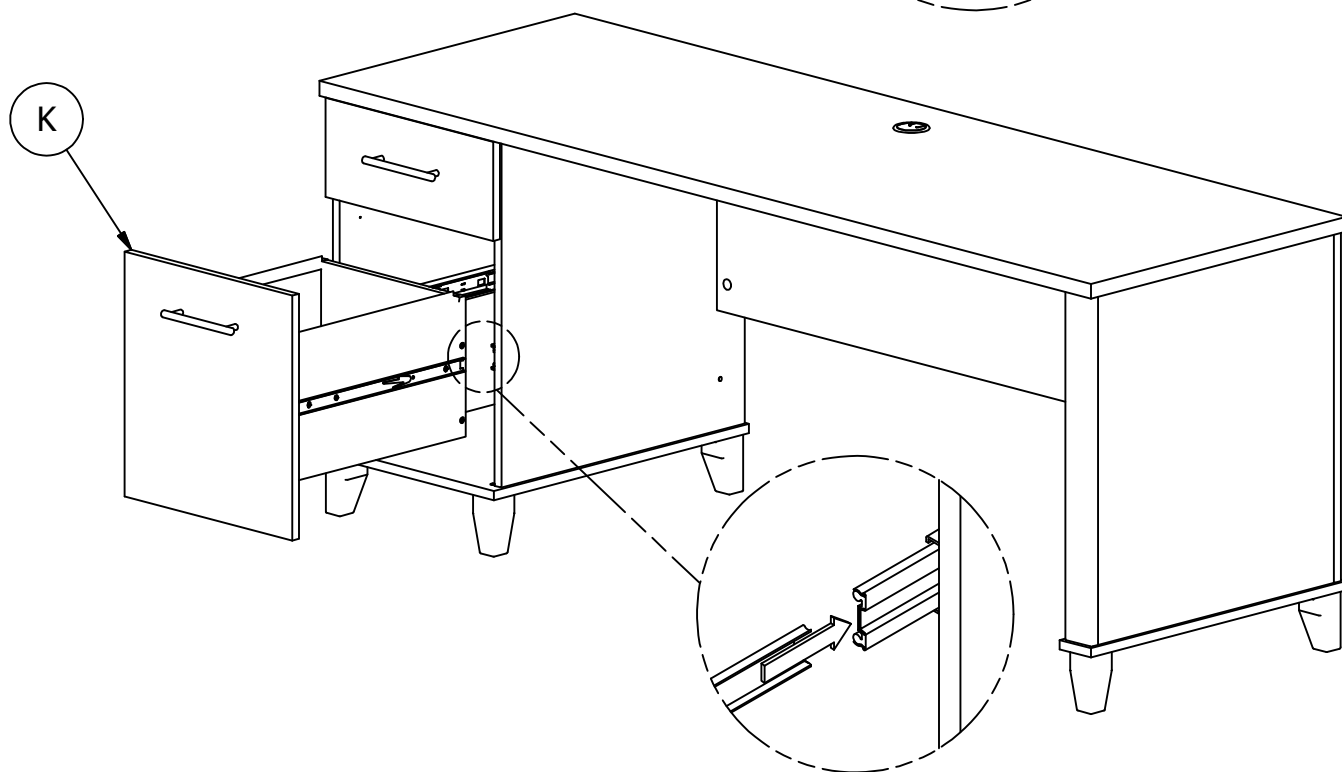
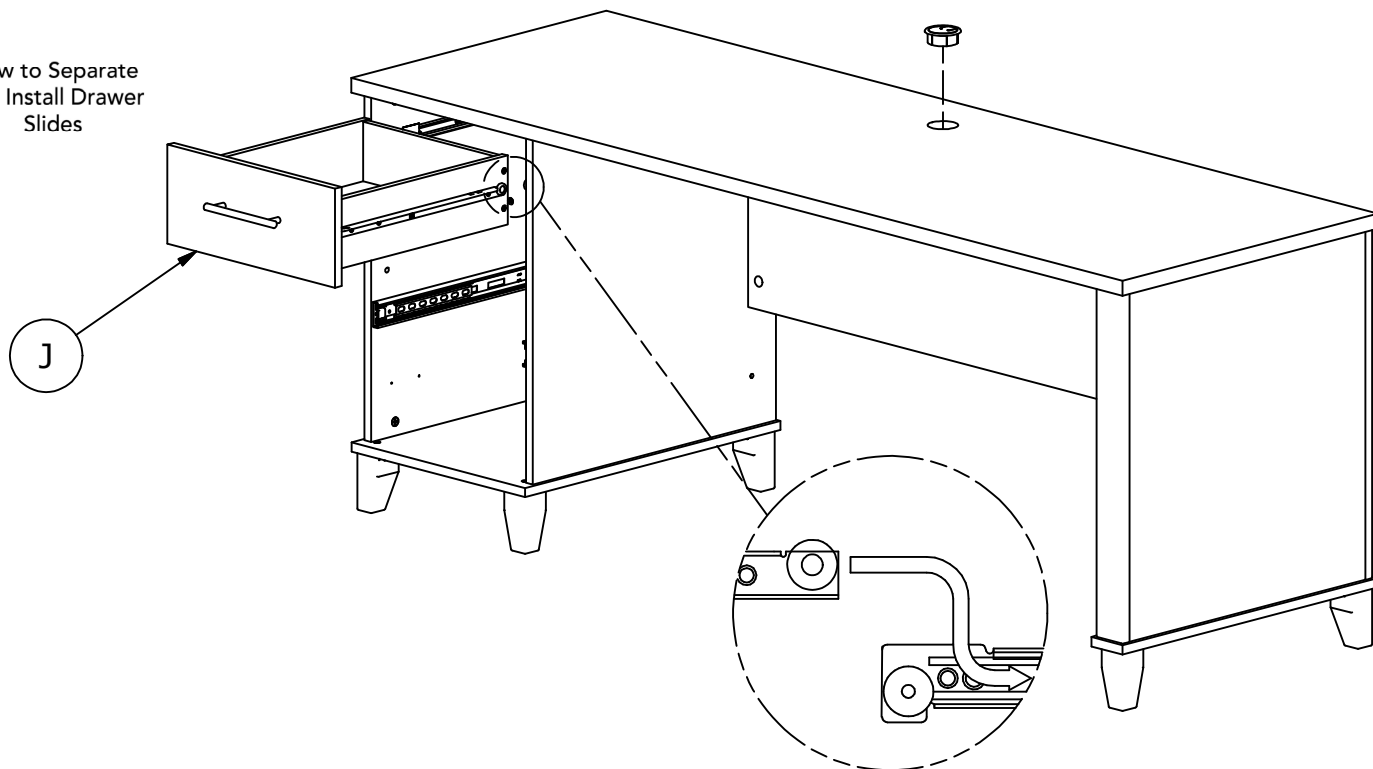
Insert Drawer



[1]

Grommet

How to Separate
and Install Drawer
Slides



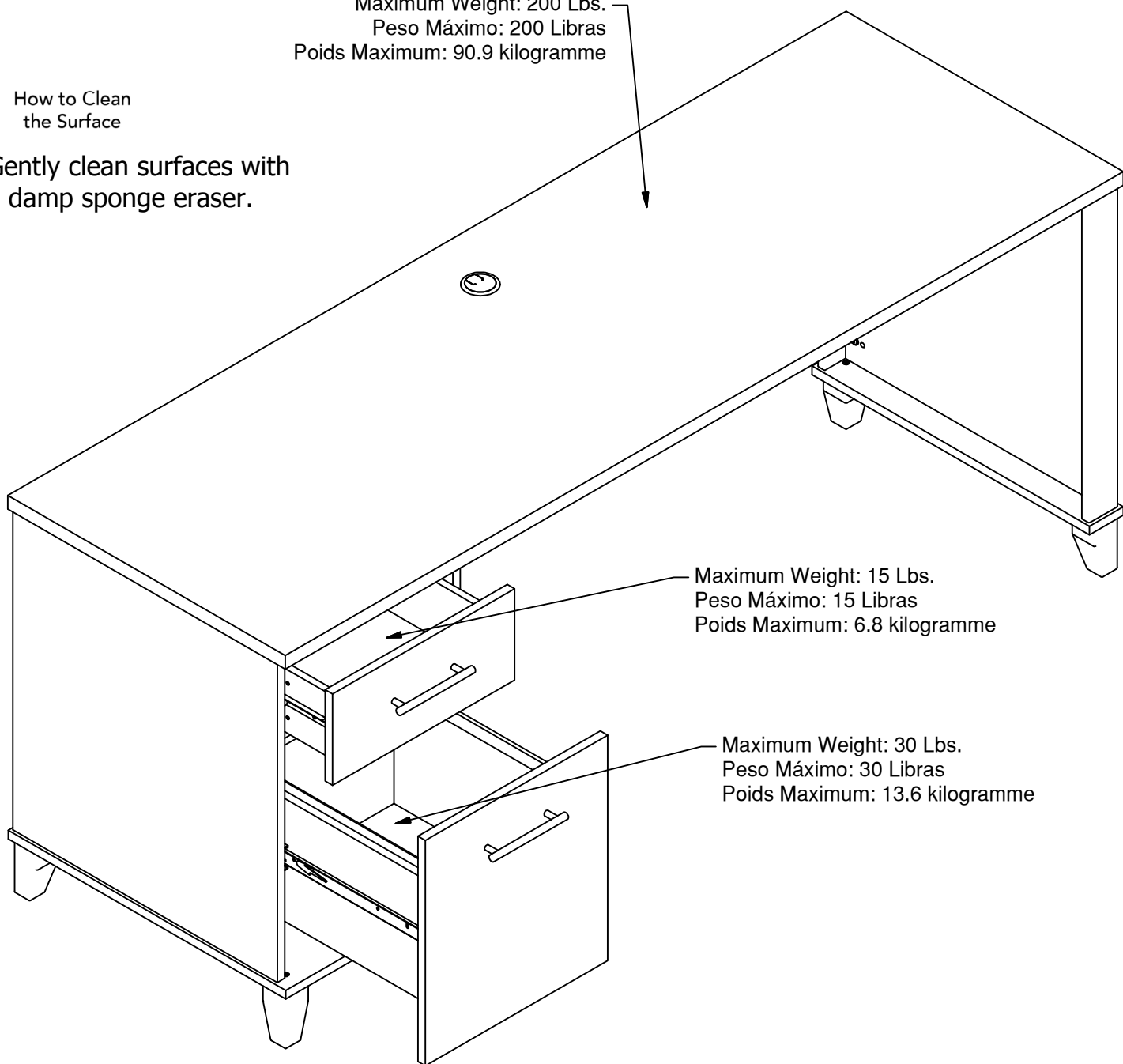
Maximum Weight: 200 Lbs.
Peso Máximo: 200 Libras
Poids Maximum: 90.9 kilogramme

How to Clean
the Surface

Gently clean surfaces with
a damp sponge eraser.

Maximum Weight: 15 Lbs.
Peso Máximo: 15 Libras
Poids Maximum: 6.8 kilogramme

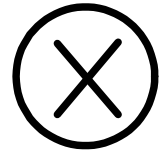
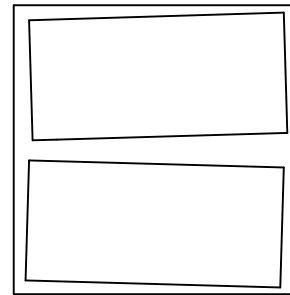
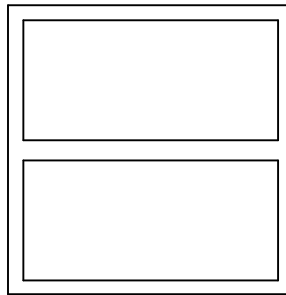
Maximum Weight: 30 Lbs.
Peso Máximo: 30 Libras
Poids Maximum: 13.6 kilogramme



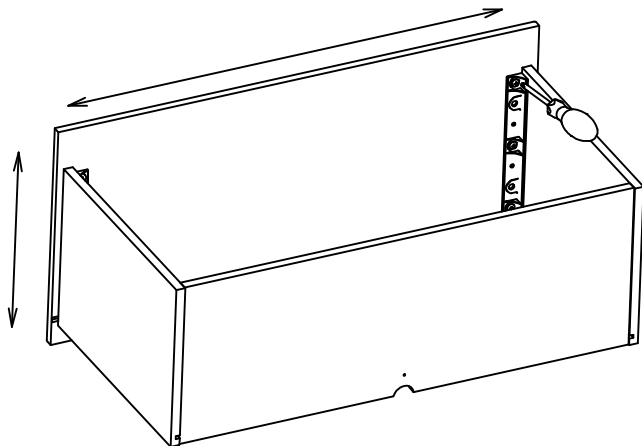
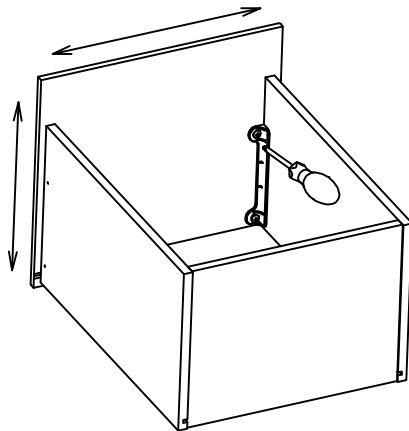
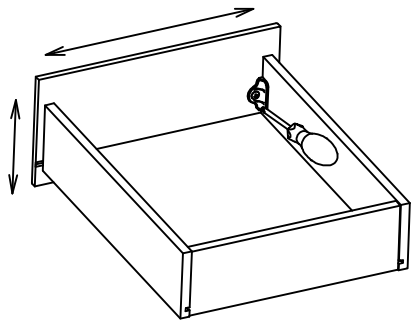
STEP 35

Adjust Drawer

How to Adjust
Drawer Fronts



DRAWER FRONT VIEW



REQUIRED TOOL: PHILLIPS SCREWDRIVER

HERRAMIENTA REQUERIDA: DESTORNILLADOR PHILLIPS
OUTIL REQUIS: TOURNEVIS CRUCIFORME



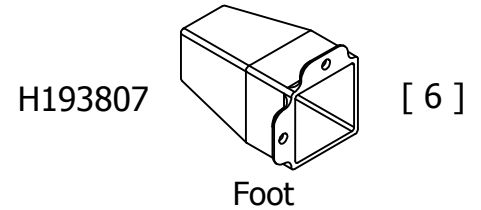
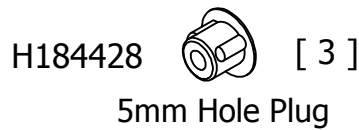
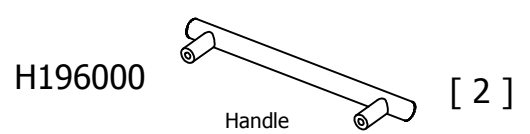
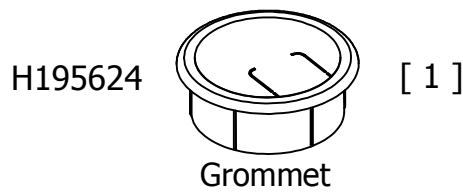
1. LOOSEN SCREWS.
2. ADJUST DRAWER FRONTS.
3. TIGHTEN SCREWS.

1. Afloje los tornillos
2. Ajustar frentes de cajón
3. Apriete los tornillos

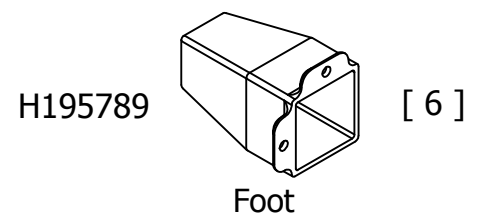
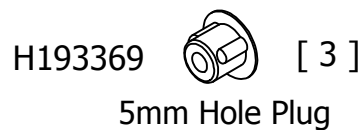
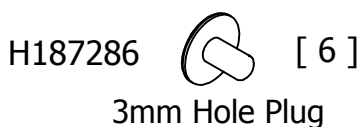
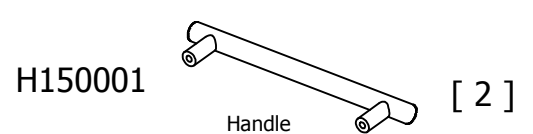
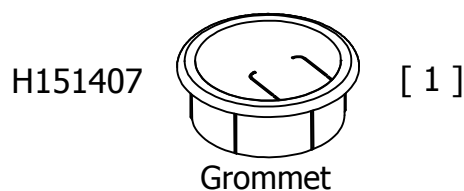
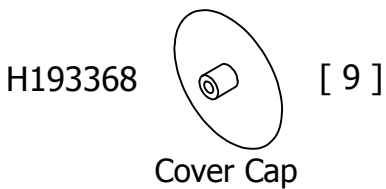
1. Desserrer les vis
2. Ajuster les façades des tiroirs
3. Serrer les vis

PARTS LIST

A	W200556	[1]	J	W193859	[1]
B	W196078	[1]	K	W193860	[1]
C	W196079	[1]	S	W193878	[1]
D	W196080	[1]	T	W87410	[2]
E	W196119	[1]	U	W106489	[2]
F	W196105	[1]	V	W107681	[2]
G	W196120	[2]	W	W107685	[1]
H	W196121	[1]	X	W176195	[1]

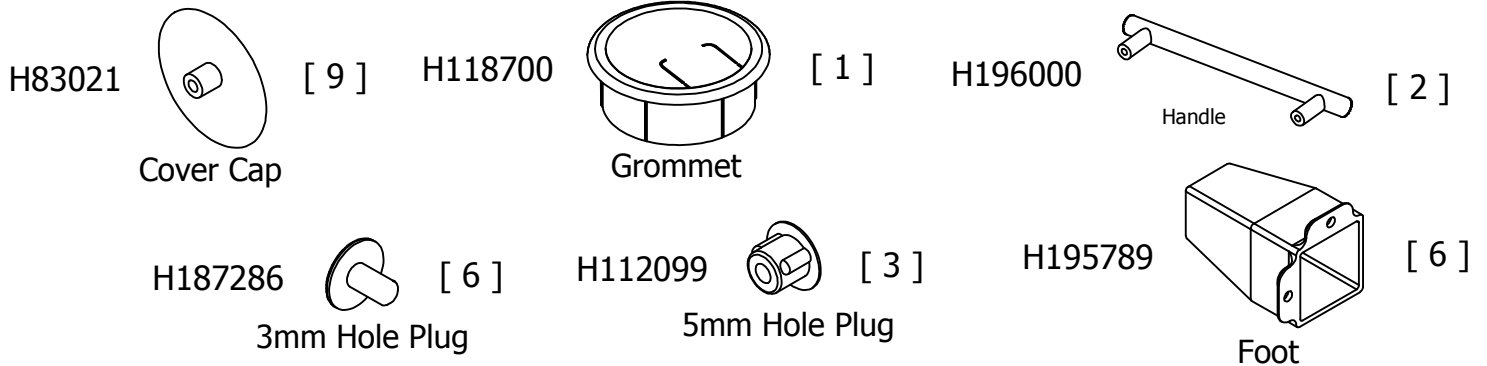


A	W200530	[1]	J	W200463	[1]
B	W200490	[1]	K	W200464	[1]
C	W200491	[1]	S	W200494	[1]
D	W200492	[1]	T	W87410	[2]
E	W200531	[1]	U	W106489	[2]
F	W200517	[1]	V	W107681	[2]
G	W200532	[2]	W	W107685	[1]
H	W200533	[1]	X	W176195	[1]

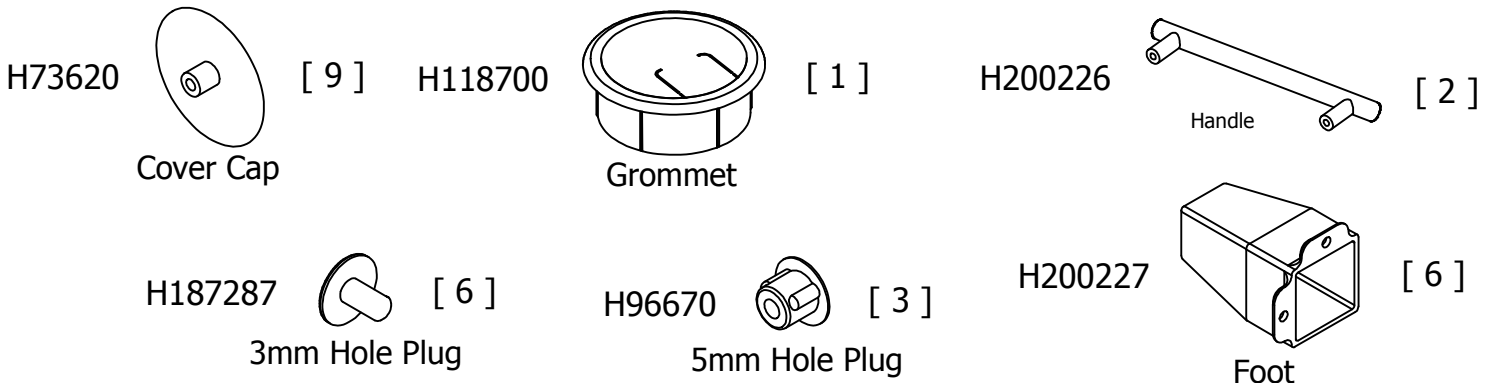


PARTS LIST

A	W195911	[1]	J	W195844	[1]
B	W195871	[1]	K	W195845	[1]
C	W195872	[1]	S	W195875	[1]
D	W195873	[1]	T	W87410	[2]
E	W195912	[1]	U	W106489	[2]
F	W195898	[1]	V	W107681	[2]
G	W195913	[2]	W	W107685	[1]
H	W195914	[1]	X	W176195	[1]

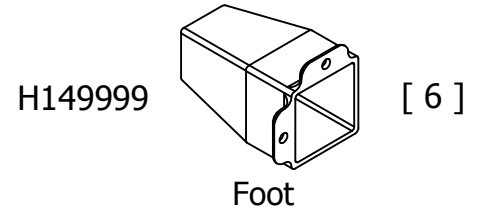
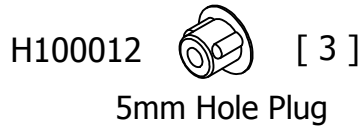
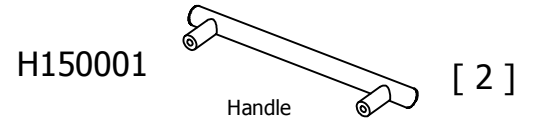
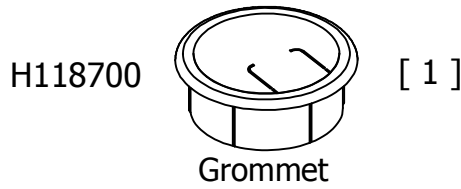
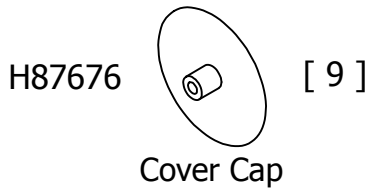


A	W200436	[1]	J	W200369	[1]
B	W200396	[1]	K	W200370	[1]
C	W200397	[1]	S	W200400	[1]
D	W200398	[1]	T	W87410	[2]
E	W200437	[1]	U	W106489	[2]
F	W200423	[1]	V	W107681	[2]
G	W200438	[2]	W	W107685	[1]
H	W200439	[1]	X	W176195	[1]

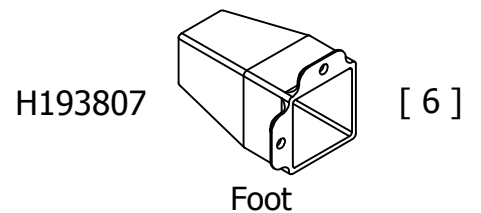
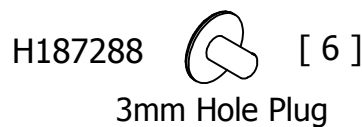
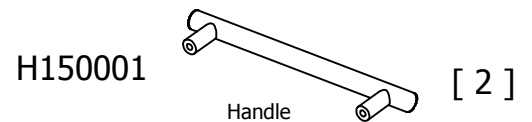
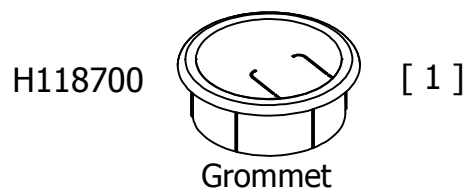
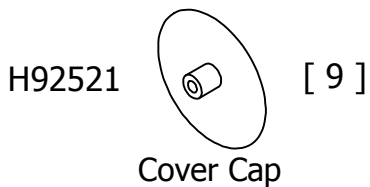


PARTS LIST

A	W189224	[1]	J	W187368	[1]
B	W187453	[1]	K	W187369	[1]
C	W187454	[1]	S	W187457	[1]
D	W187455	[1]	T	W87410	[2]
E	W189225	[1]	U	W106489	[2]
F	W189444	[1]	V	W107681	[2]
G	W189227	[2]	W	W107685	[1]
H	W189228	[1]	X	W176195	[1]

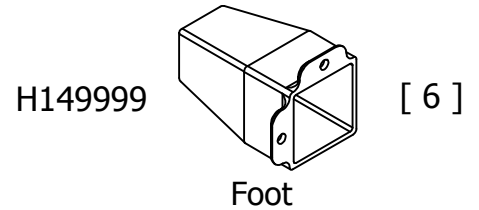
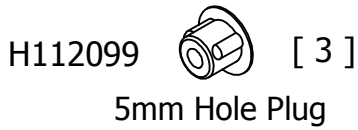
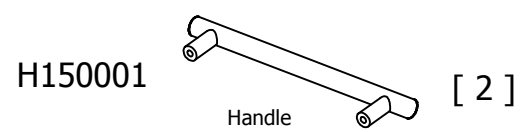
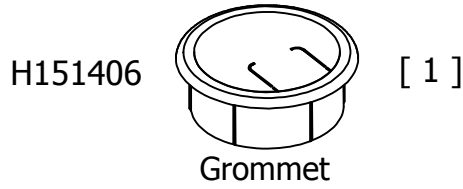
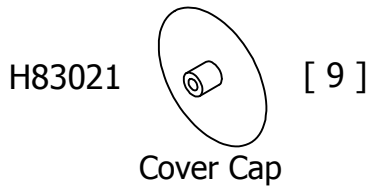


A	W193879	[1]	J	W193859	[1]
B	W193874	[1]	K	W193860	[1]
C	W193875	[1]	S	W193878	[1]
D	W193876	[1]	T	W87410	[2]
E	W193880	[1]	U	W106489	[2]
F	W193883	[1]	V	W107681	[2]
G	W193881	[2]	W	W107685	[1]
H	W193882	[1]	X	W176195	[1]

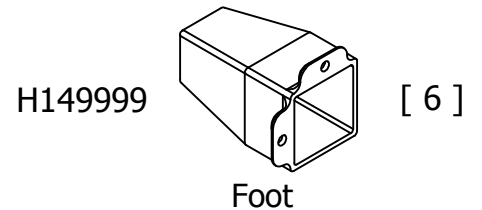
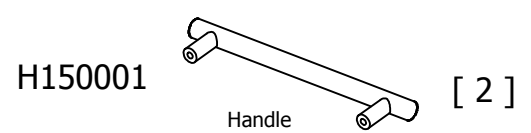
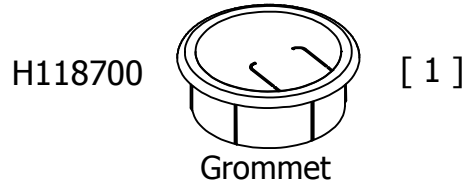
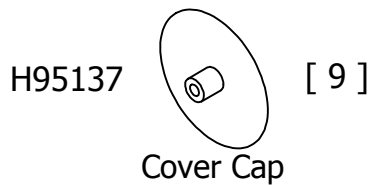


PARTS LIST

A	W189229	[1]	J	W186355	[1]
B	W186382	[1]	K	W186356	[1]
C	W186383	[1]	S	W187470	[1]
D	W186384	[1]	T	W87410	[2]
E	W189230	[1]	U	W106489	[2]
F	W189269	[1]	V	W107681	[2]
G	W189232	[2]	W	W107685	[1]
H	W189233	[1]	X	W176195	[1]

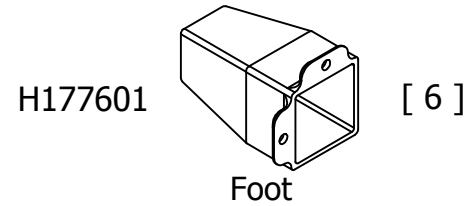
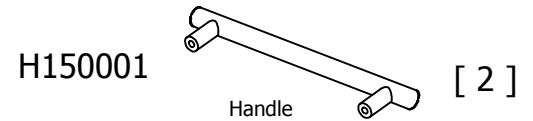
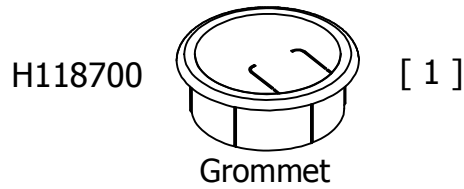
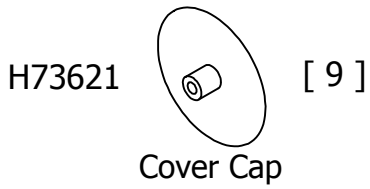


A	W189234	[1]	J	W187386	[1]
B	W187459	[1]	K	W187387	[1]
C	W187460	[1]	S	W187463	[1]
D	W187461	[1]	T	W87410	[2]
E	W189235	[1]	U	W106489	[2]
F	W189432	[1]	V	W107681	[2]
G	W189237	[2]	W	W107685	[1]
H	W189238	[1]	X	W176195	[1]



PARTS LIST

A	W189239	[1]	J	W187404	[1]
B	W187465	[1]	K	W187405	[1]
C	W187466	[1]	S	W187469	[1]
D	W187467	[1]	T	W87410	[2]
E	W189240	[1]	U	W106489	[2]
F	W189421	[1]	V	W107681	[2]
G	W189242	[2]	W	W107685	[1]
H	W189243	[1]	X	W176195	[1]



A	W196118	[1]	J	W196051	[1]
B	W196078	[1]	K	W196052	[1]
C	W196079	[1]	S	W196082	[1]
D	W196080	[1]	T	W87410	[2]
E	W196119	[1]	U	W106489	[2]
F	W196105	[1]	V	W107681	[2]
G	W196120	[2]	W	W107685	[1]
H	W196121	[1]	X	W176195	[1]

