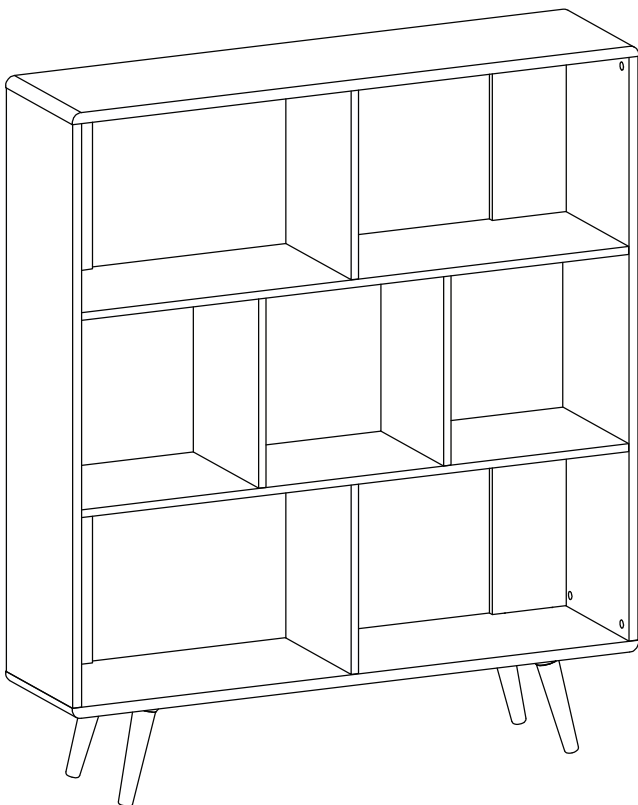


# BOOKCASE







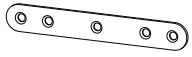

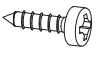
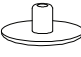



Thank you for purchasing the **BOOKCASE !**

Before you start, here is some helpful advice:

1. We suggest you spend a short time reading through this leaflet and then follow the simple step-by-step instructions.
2. Owing to the size and weight of the desk, we recommend that it is assembled by two adults, on a carpeted or padded area, in the room that it is intended for. Approximate assembly time: 60 minutes.
3. Please do not use any tools other than those provided or recommended in these instructions.
4. Please do not throw away any of the packaging or instructions until you have checked all the components and hardware and the furniture is fully assembled.
5. Assemble all components loosely until advised to tighten. Depending on use, it may be necessary to tighten the components from time to time, so please save the tools that have been provided.
6. Please keep all pieces out of reach of children.

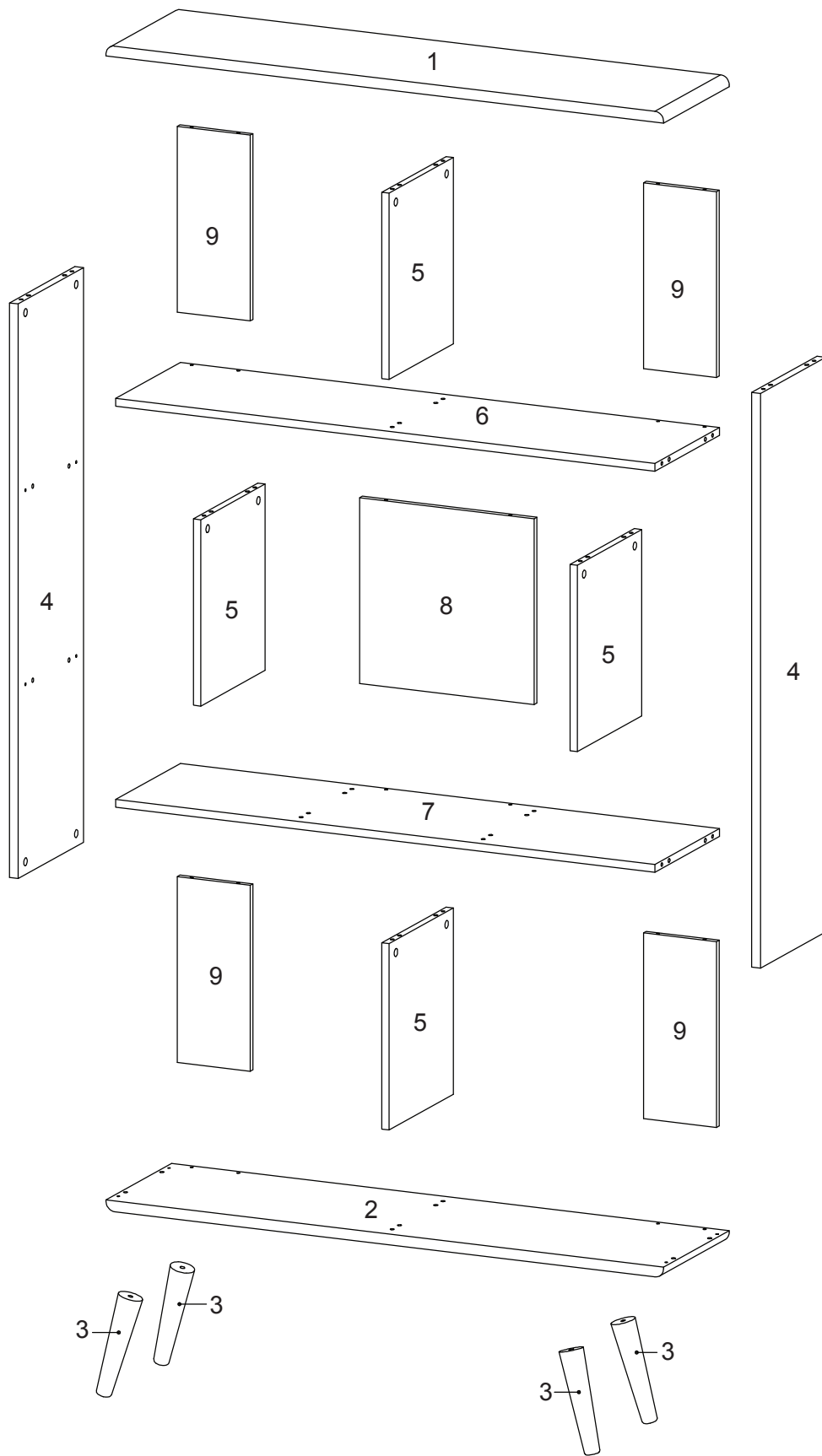


## Hardware:

A		Cam Bolts	x24
B		Cam Lock	x24
C		Dowel Big	x32
D		Screw Small	x20
E		Allen Key	x1
F		Screw	x4
G		Plat Joint	x2
H		Screw	x8
I		Screw	x16
J		Screw	x8
K		Wedge	x8
L		Plat Mitres	x4
M		Screwdriver	x1(not included)

# BOOKCASE

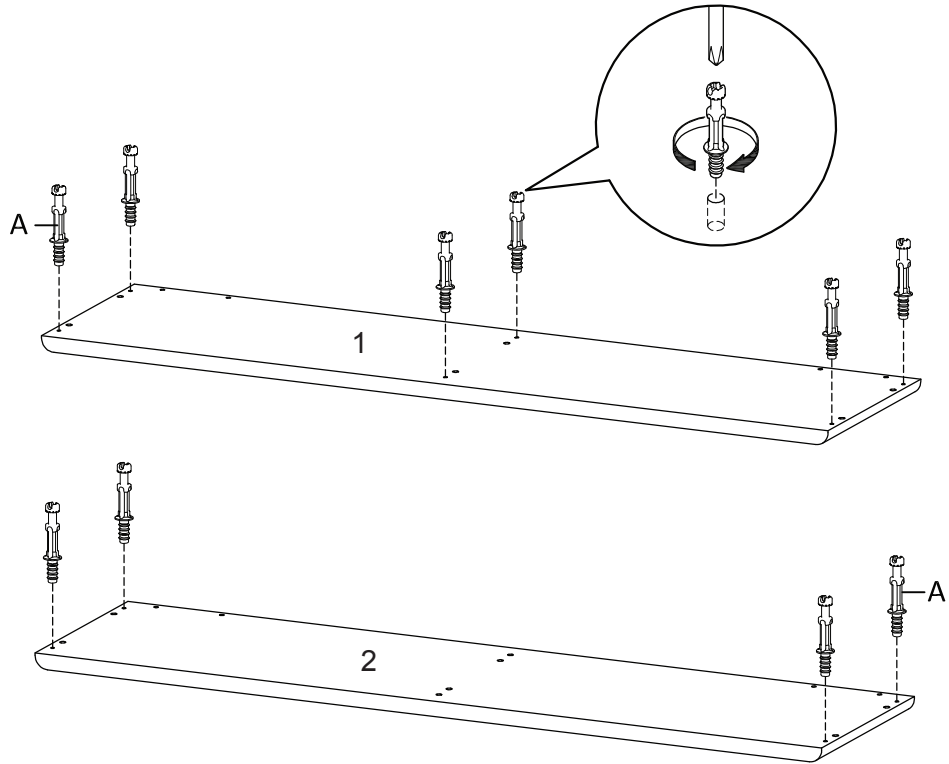
## Components:





1	Top Board	x1	2	Bottom Board	x1	3	Leg	x4	4	Side Board	x2
5	Centre Board	x4	6	Fixed Shelf 1	x1	7	Fixed Shelf 2	x1	8	Back Board 1	x1
9	Back Board 2	x4									

# BOOKCASE

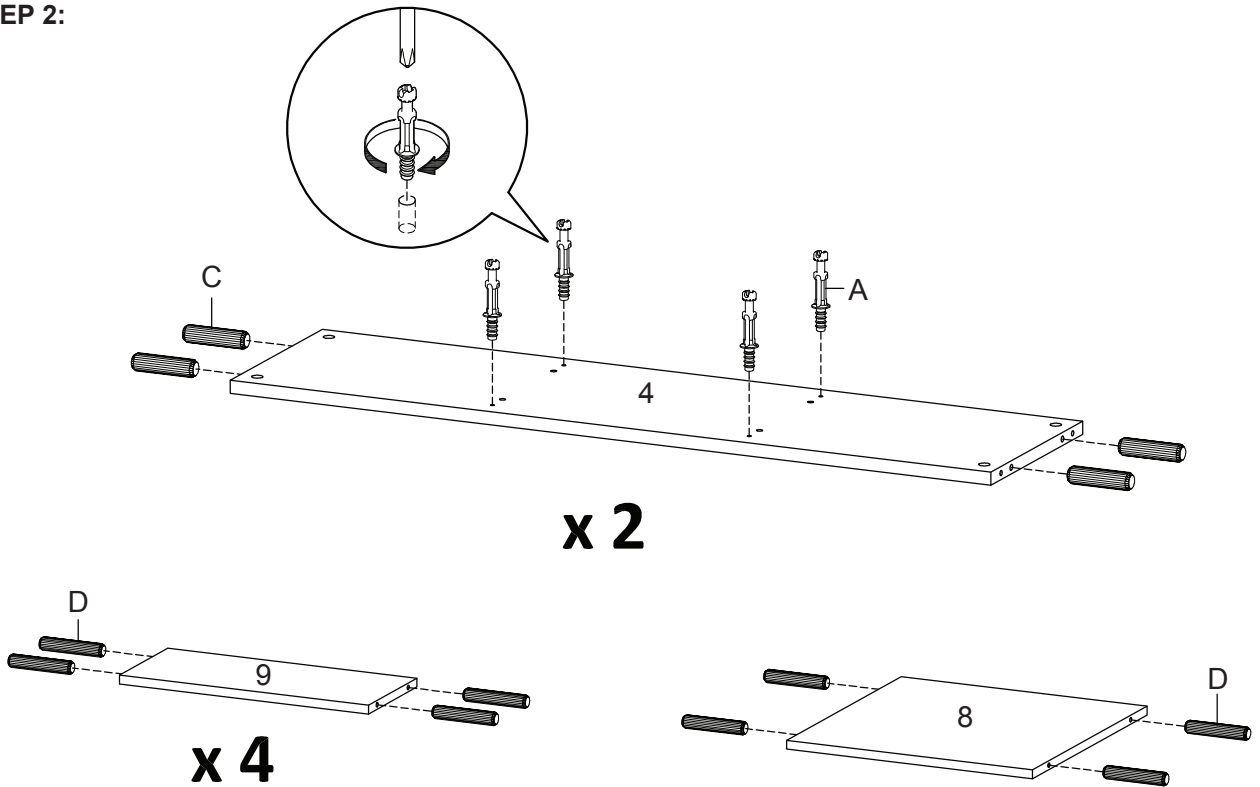
## STEP 1:







	
Ax10	Mx1

Hardware required. Screwdriver not included

## STEP 2:

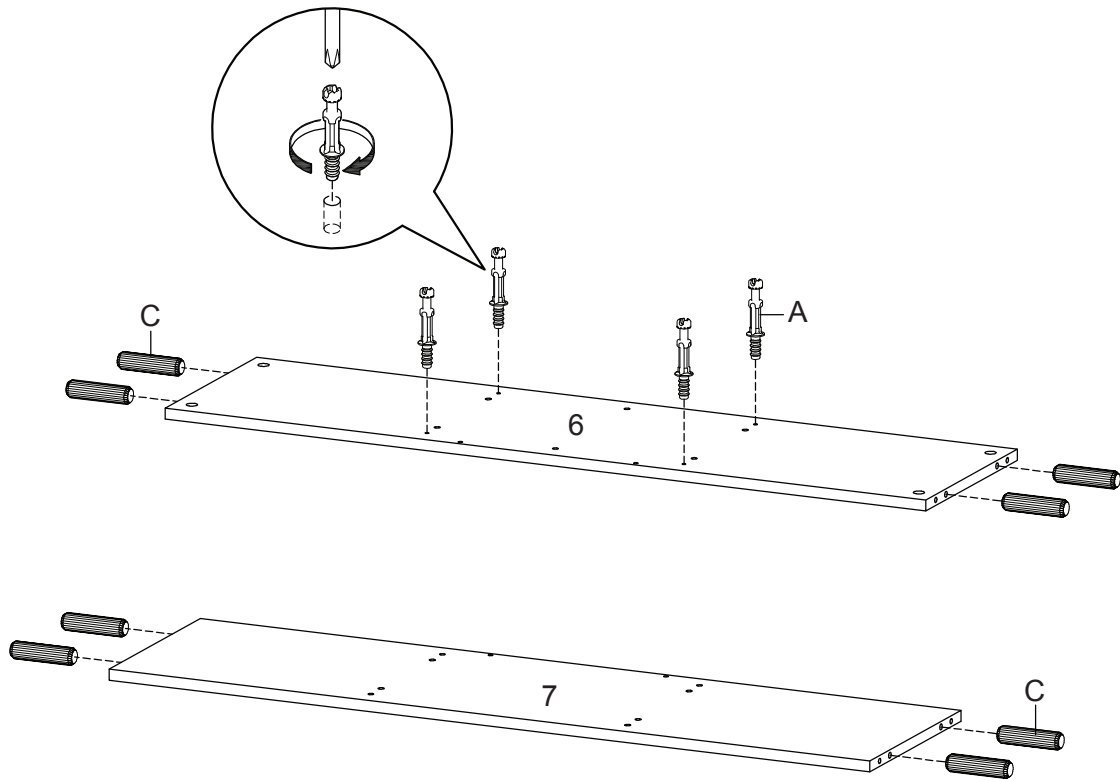




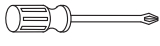
			
Ax8	Cx8	Dx20	Mx1

Hardware required. Screwdriver not included

# BOOKCASE

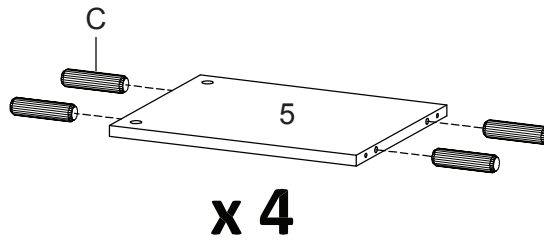
## STEP 3:




		
Ax4	Cx8	Mx1

Hardware required. Screwdriver not included

## STEP 4:

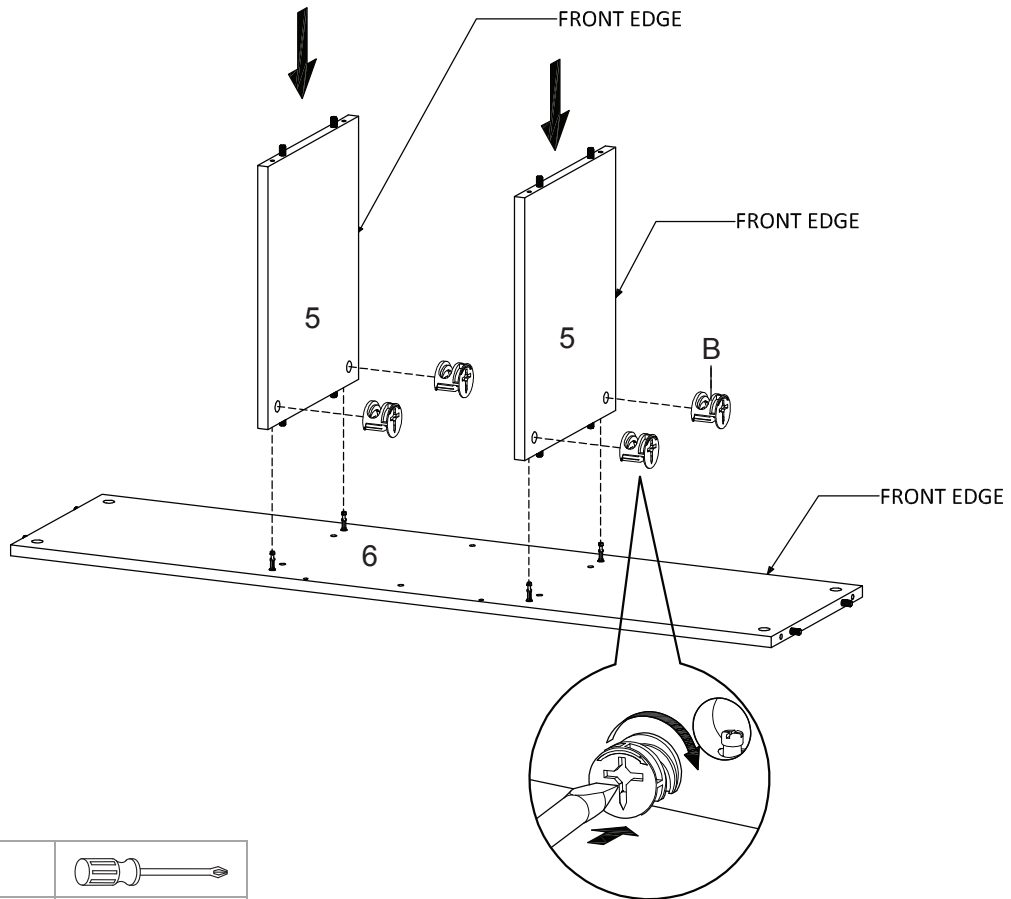





Cx16

Hardware & Tool required

# BOOKCASE

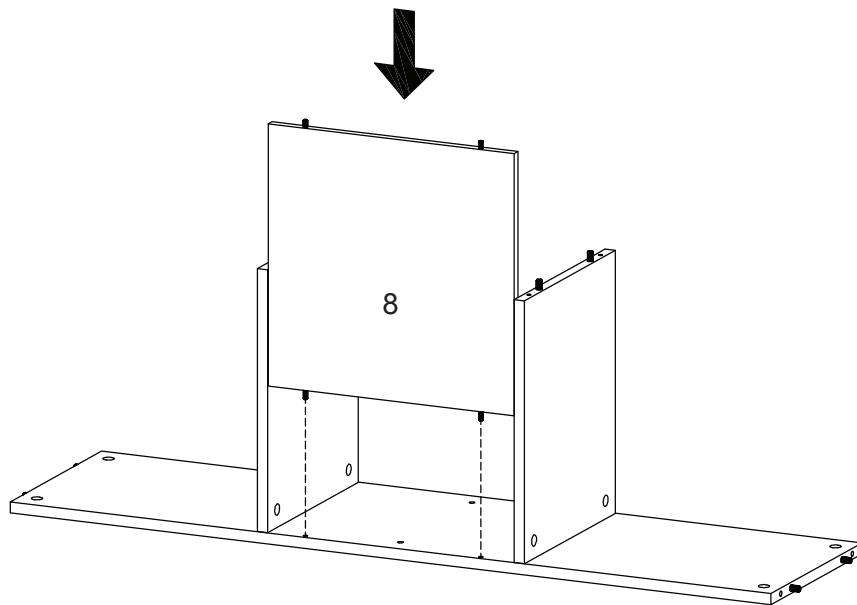
## STEP 5:



	
Bx4	Mx1

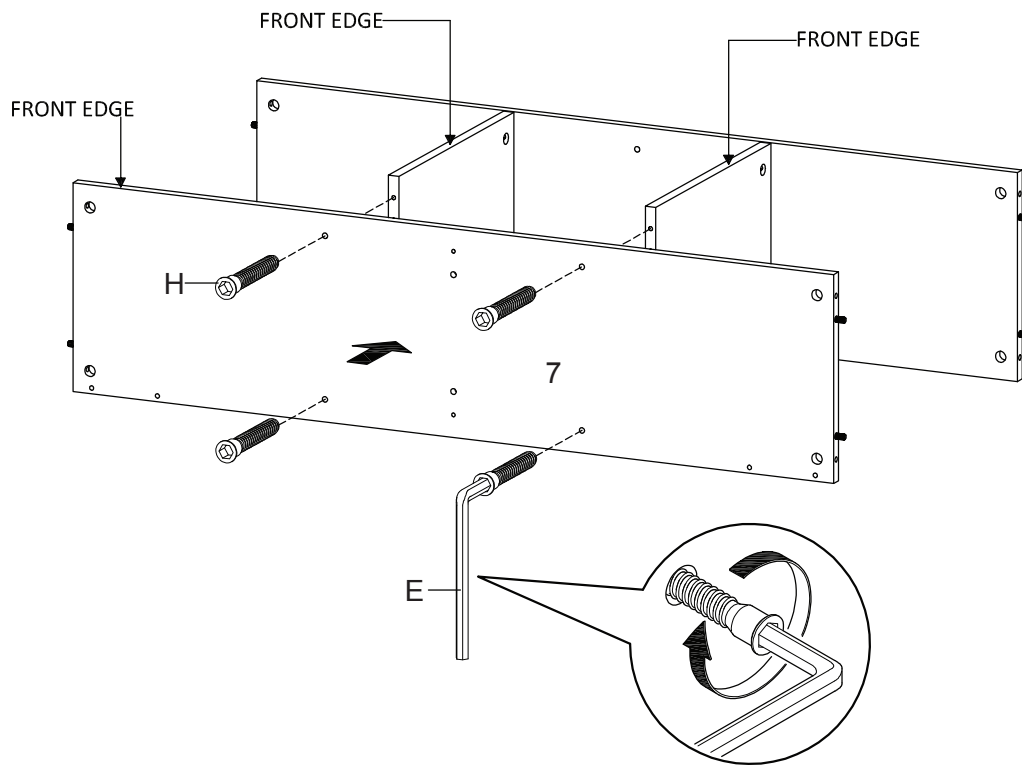
Hardware required. Screwdriver not included

## STEP 6:



# BOOKCASE

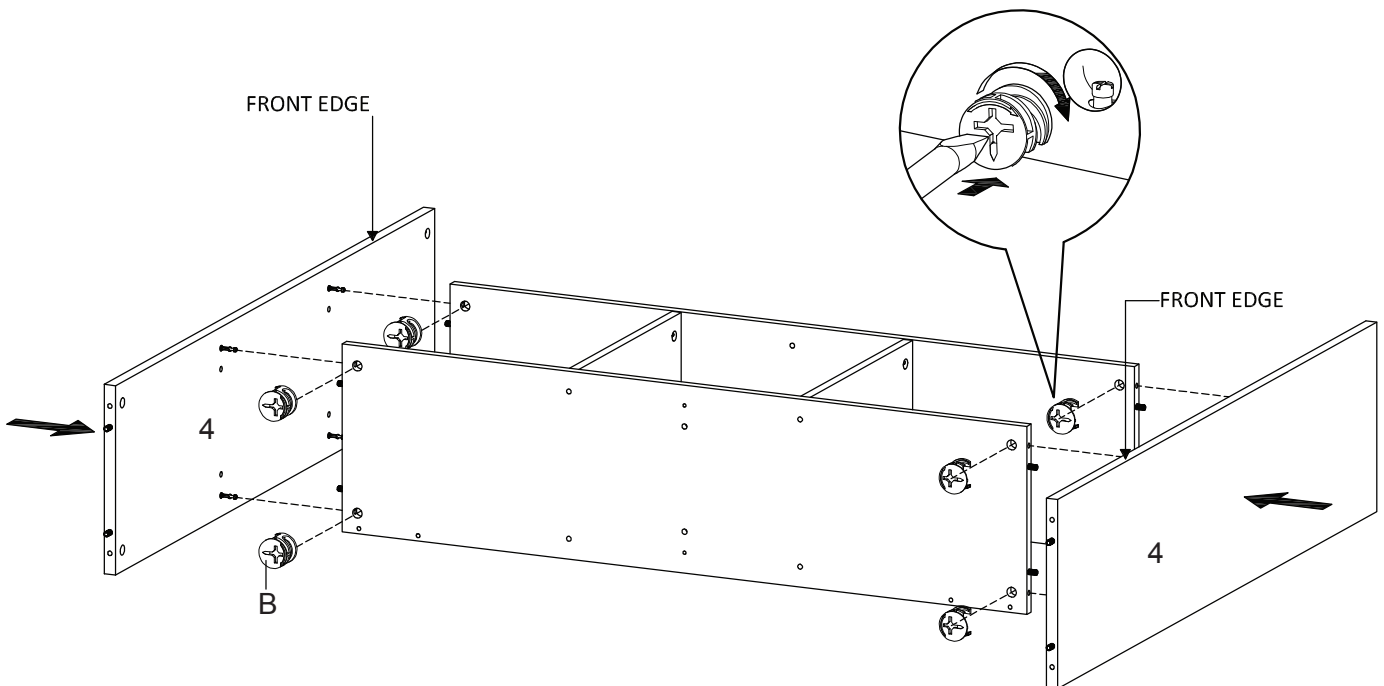
## STEP 7:



Ex1	Hx4

Hardware required

## STEP 8:

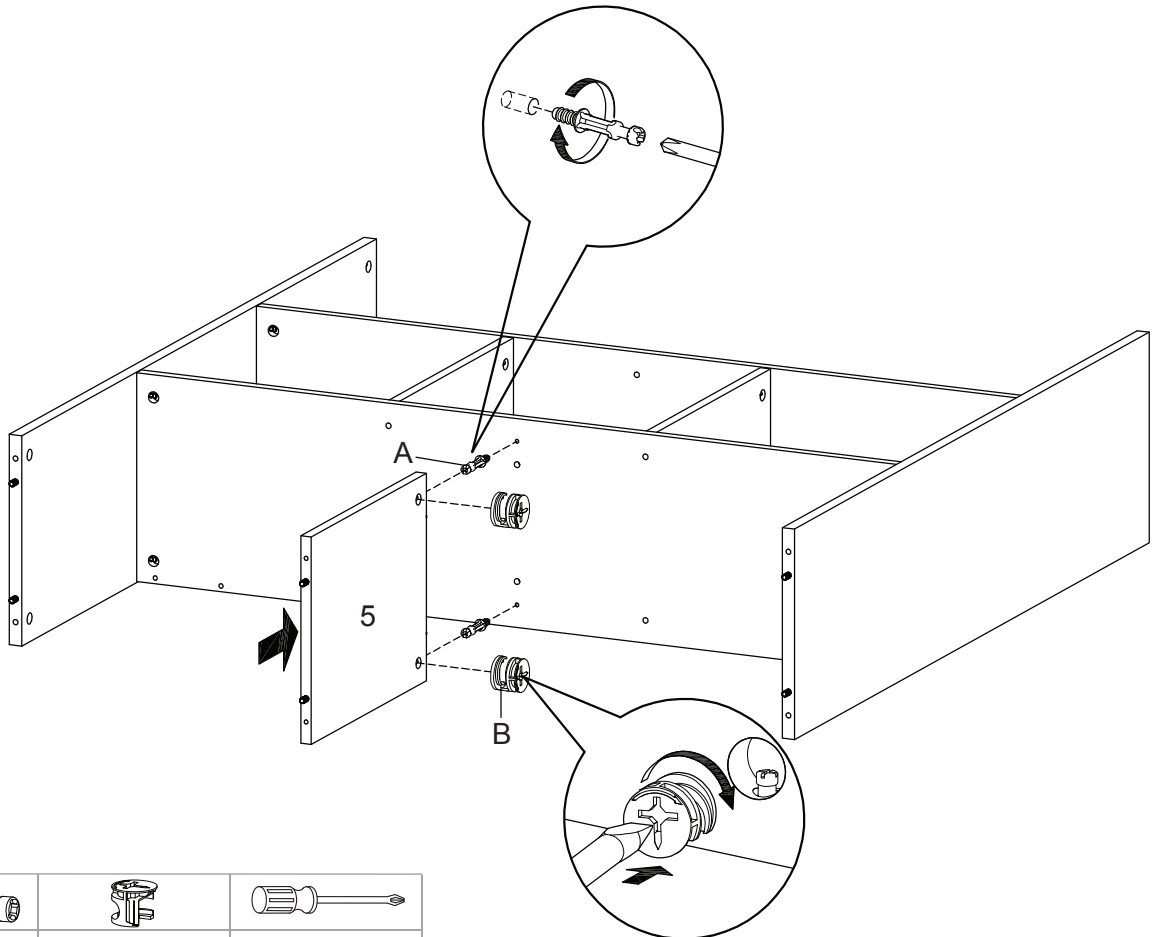




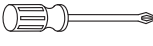
Bx8	Mx1

Hardware required. Screwdriver not included

# BOOKCASE

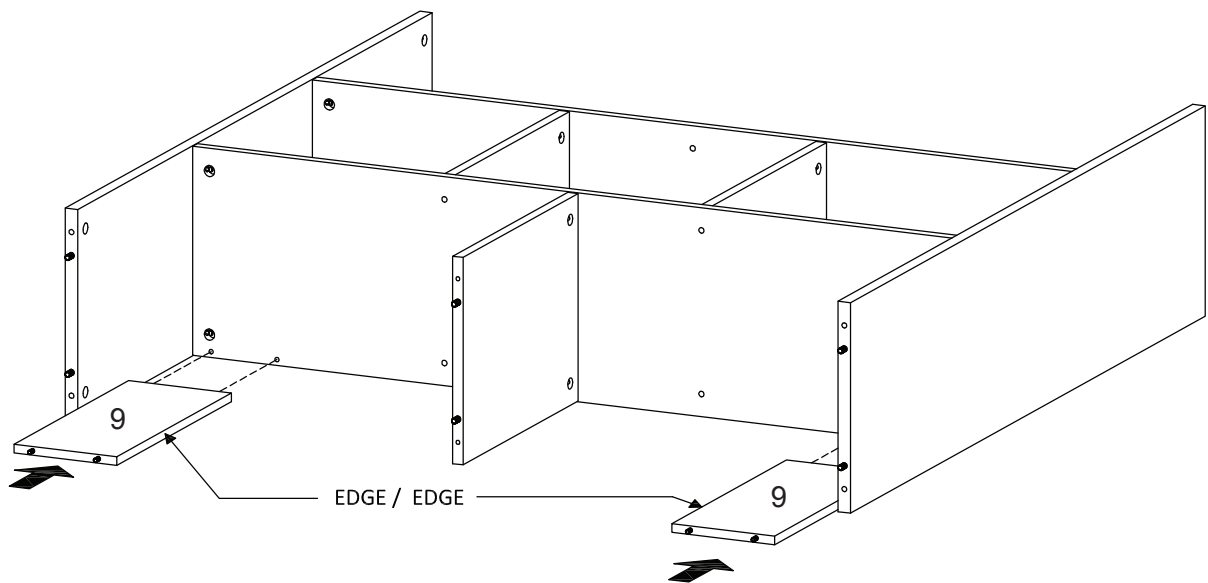
## STEP 9:



		
Ax2	Bx2	Mx1

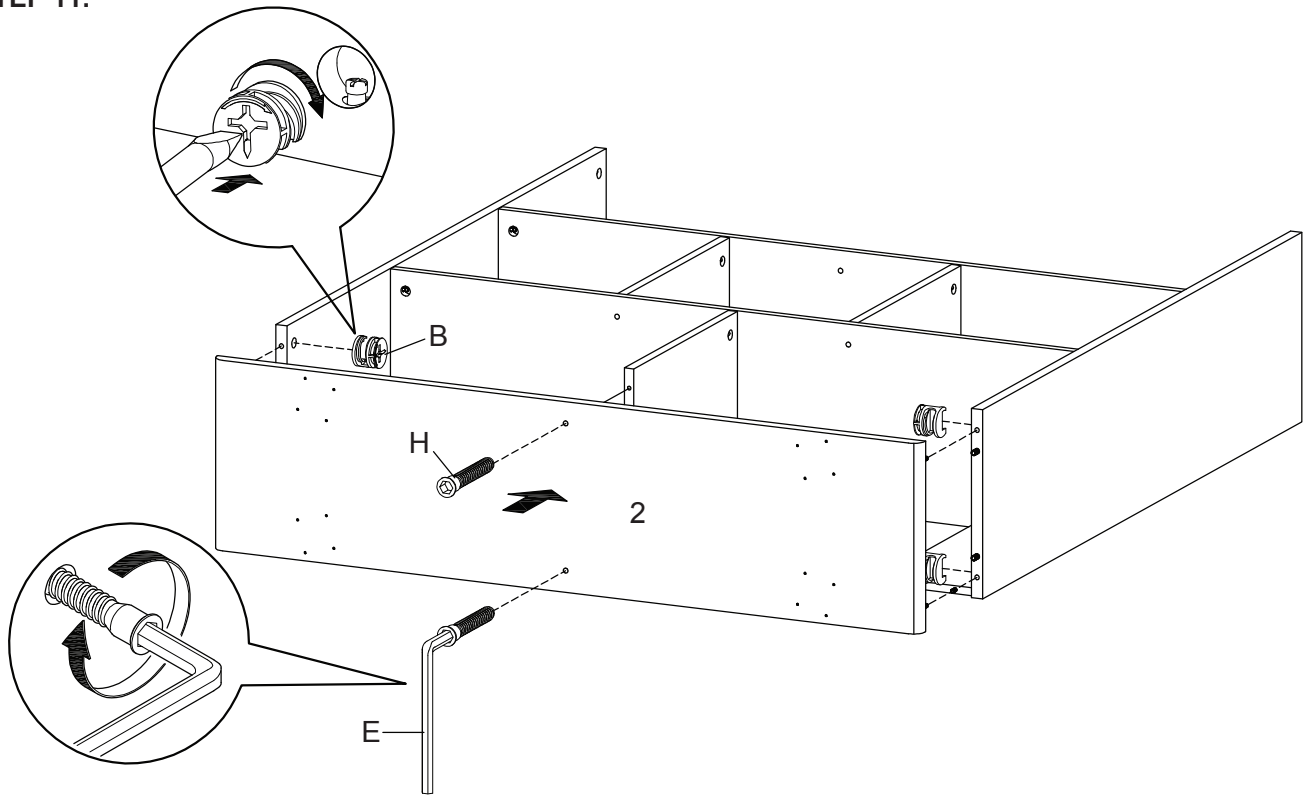
Hardware required. Screwdriver not included

## STEP 10:



# BOOKCASE

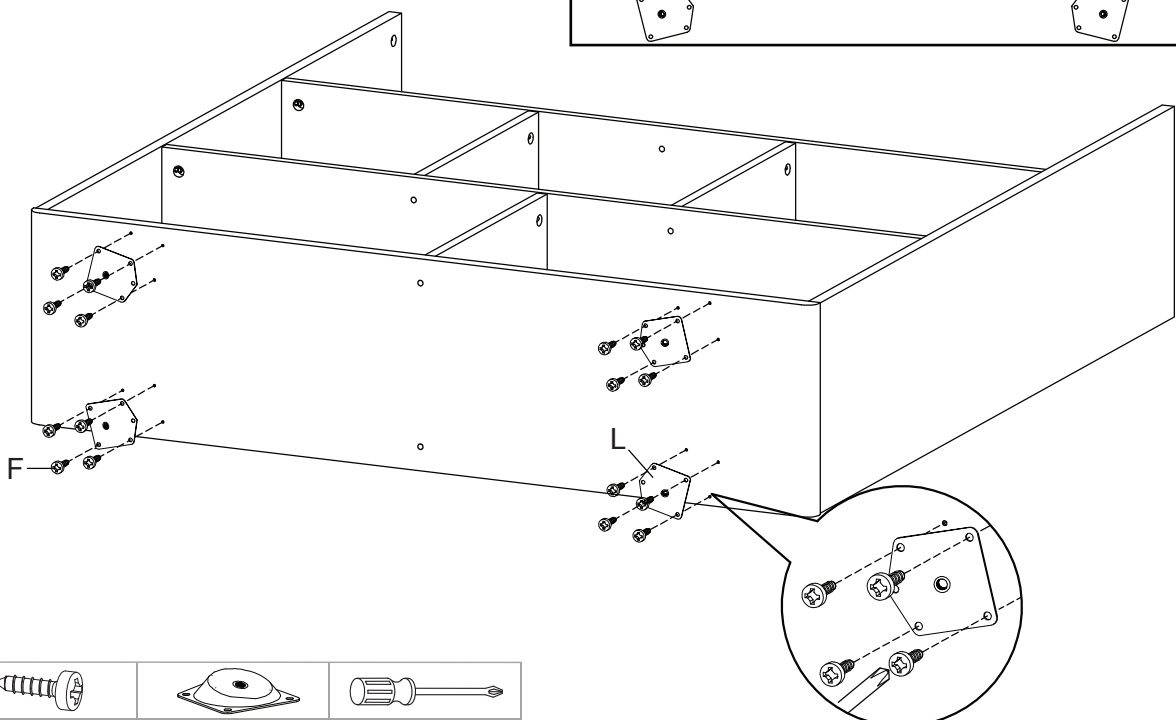
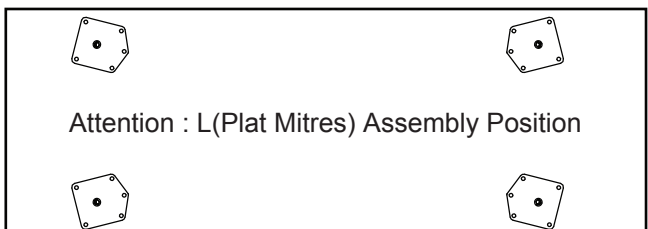
## STEP 11:

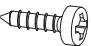

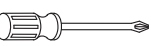


			
Bx4	Ex1	Hx2	Mx1

Hardware required. Screwdriver not included

## STEP 12:



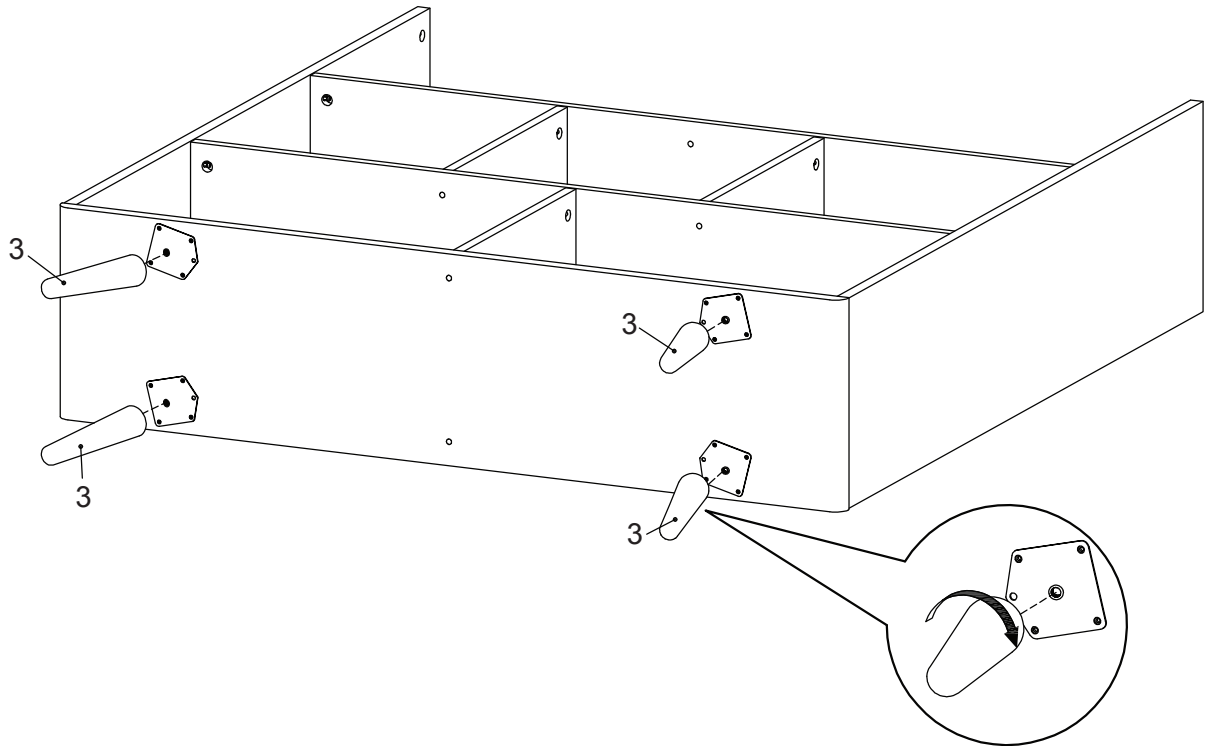
		
Fx16	Lx4	Mx1

Hardware required. Screwdriver not included

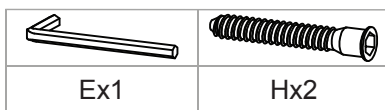
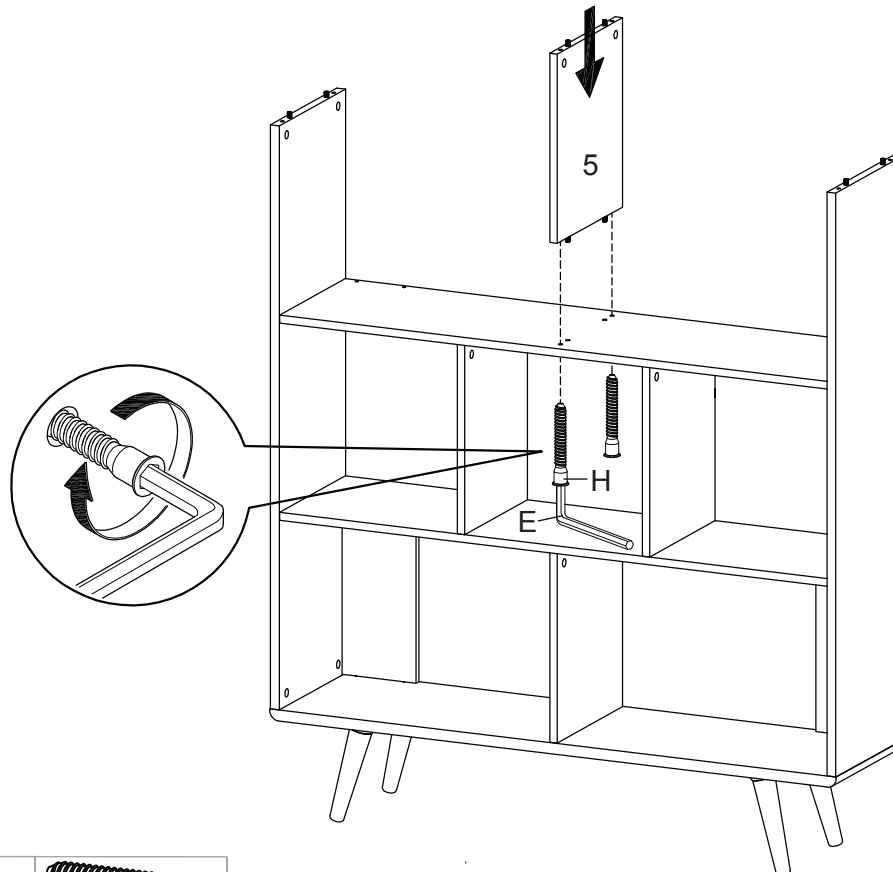


# BOOKCASE

## STEP 13:



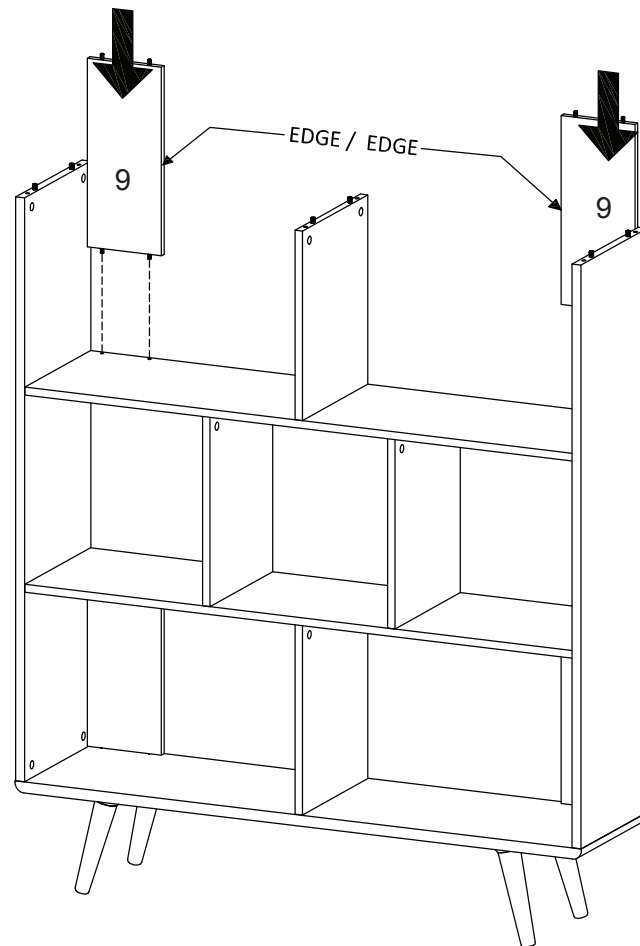
## STEP 14:



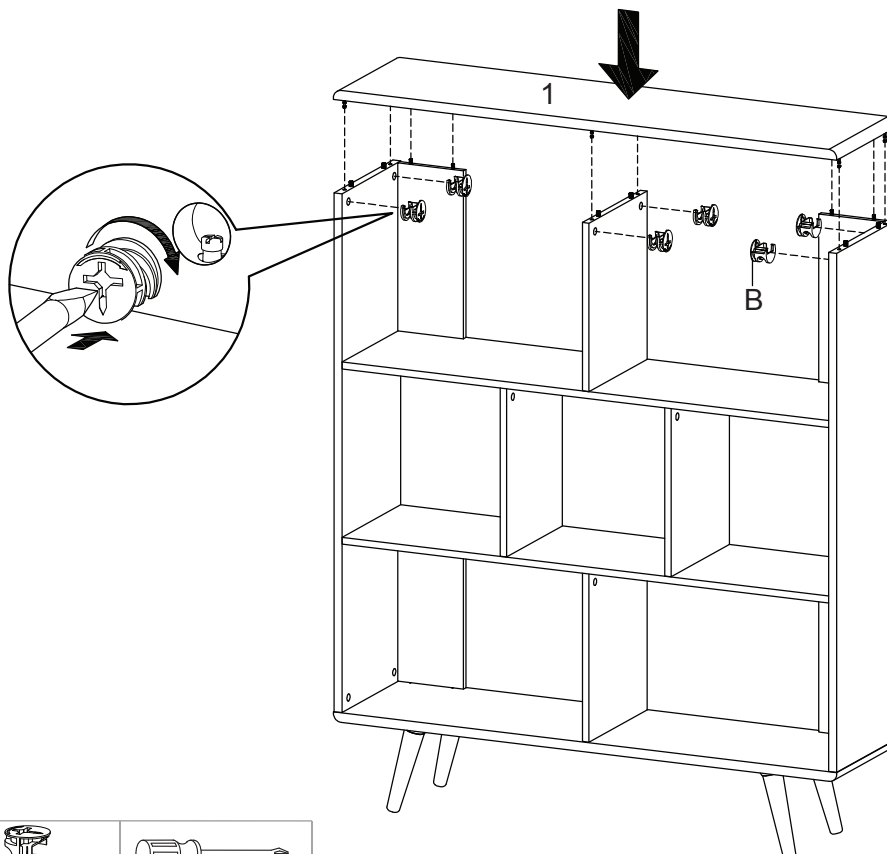
Hardware required


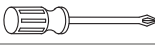
# BOOKCASE

## STEP 15:



## STEP 16:

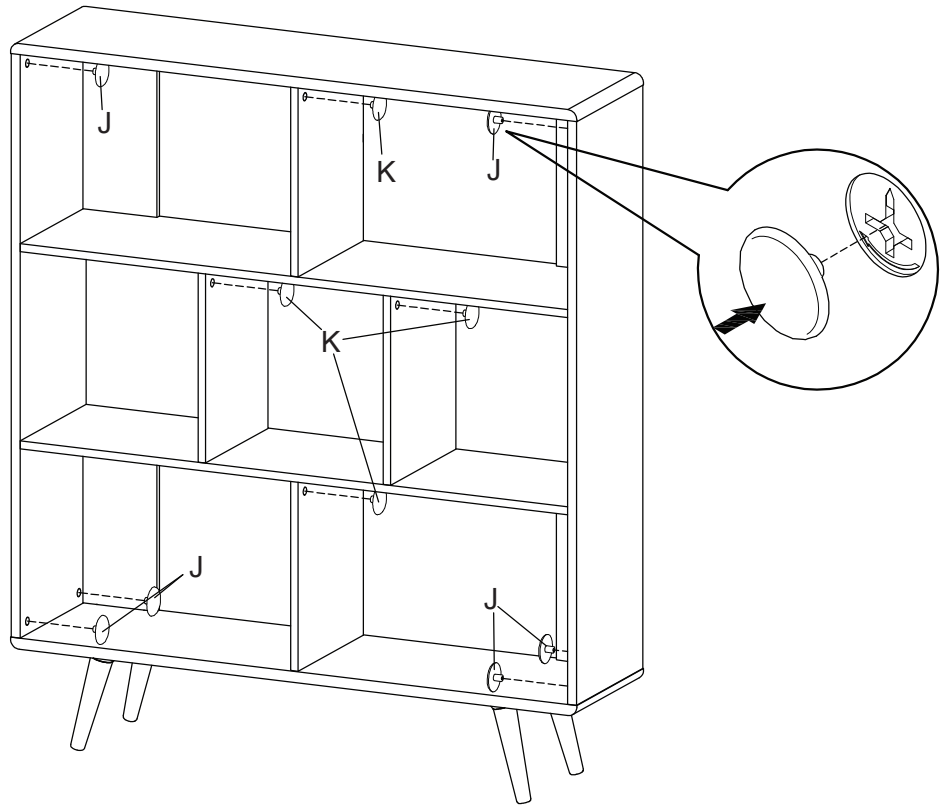




	
Bx6	Mx1

Hardware required. Screwdriver not included

# BOOKCASE

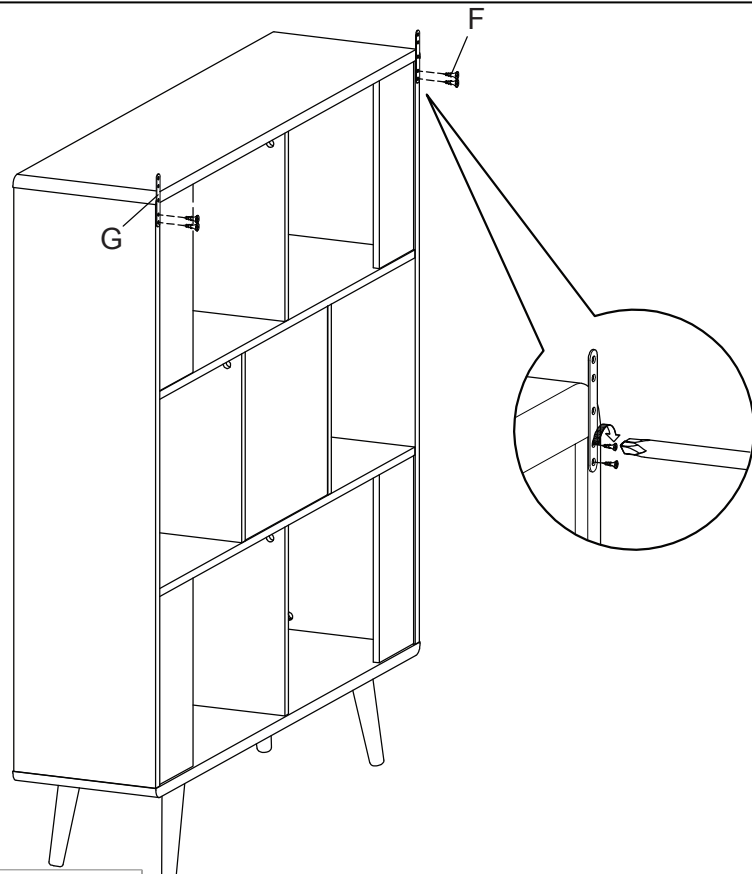
## STEP 17:


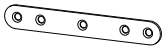



	
Jx8	Kx8

Hardware required

## STEP 18:



		
Fx4	Gx2	Mx1

Hardware required. Screwdriver not included

## BOOKCASE

---

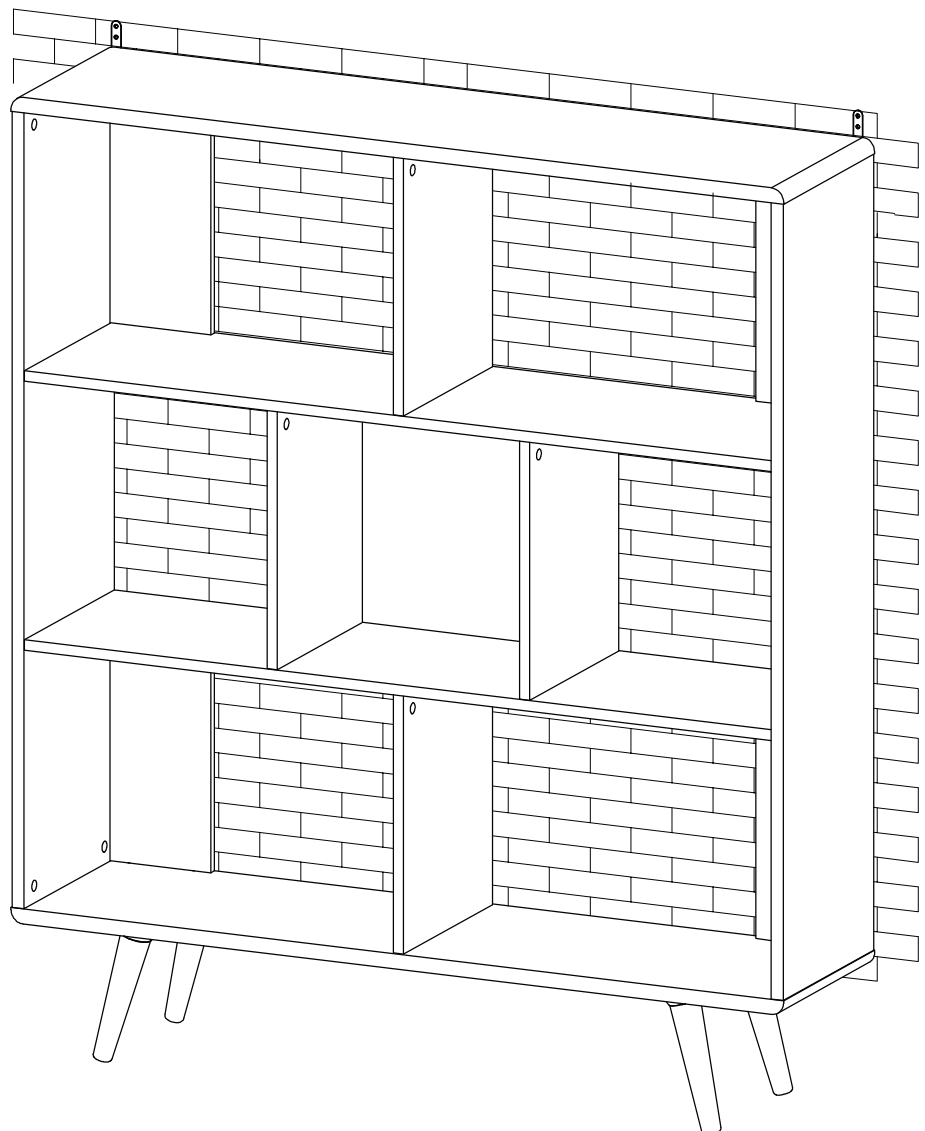
### STEP 19:

#### ATTACHMENT OF FURNITURE :

This furniture may pose a danger to your security if its attachment on the wall has been done in an incorrect way.

This attachment must be done by a person with great expertise who will make sure adequacy between the device of fixing and the wall.

For your safety, it is imperative to fix your furniture to the wall.



**Assembly is completed. The Bookcase is ready to enjoy now !**