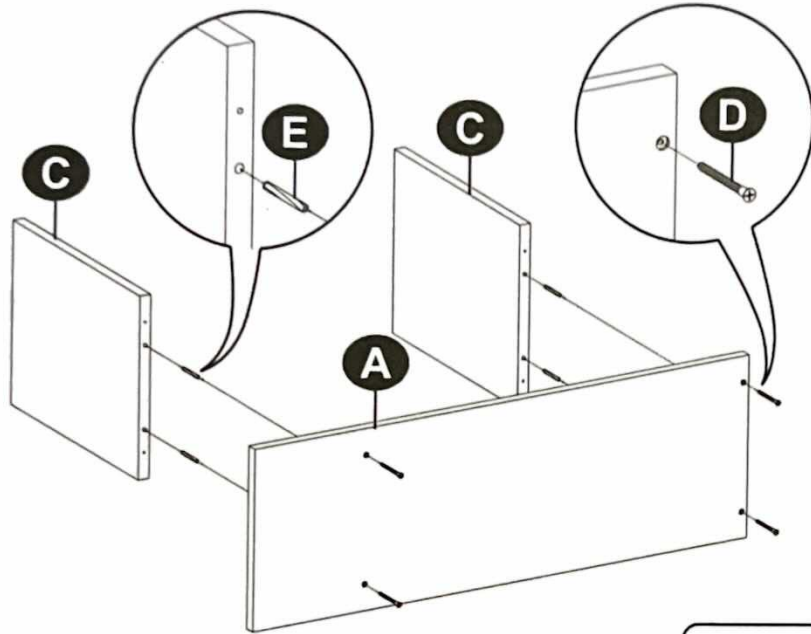


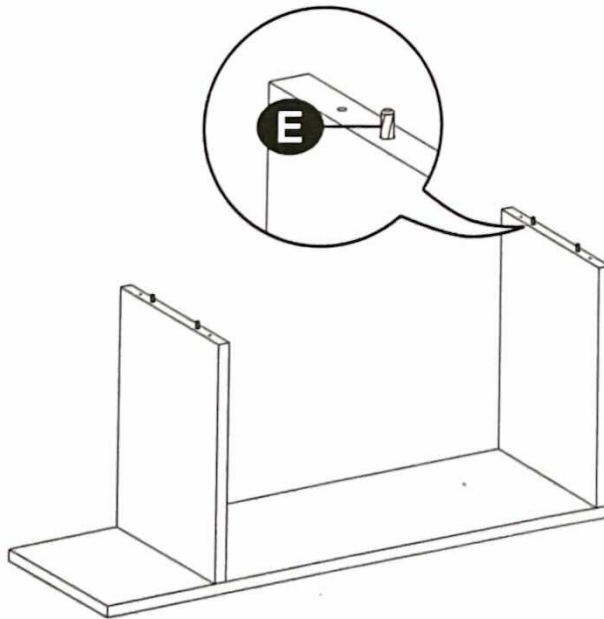
1



D  4PCS

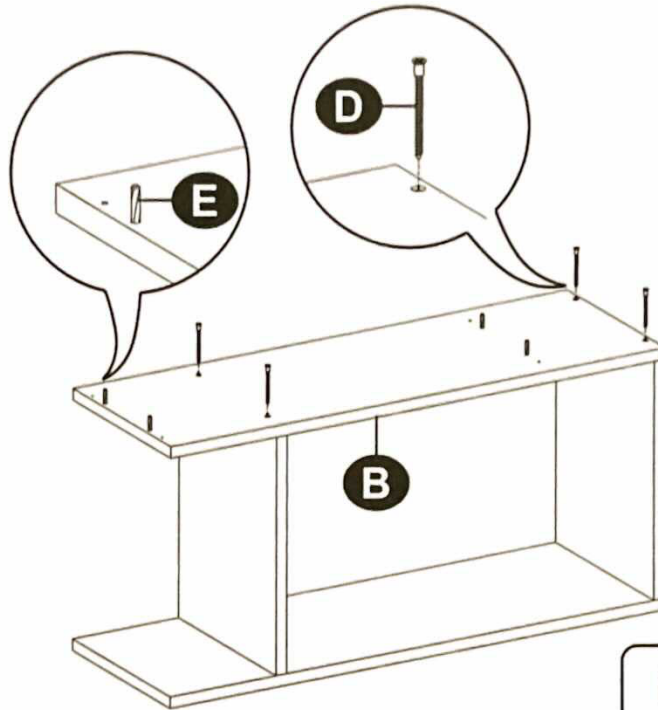
E  4PCS

2



E  4PCS

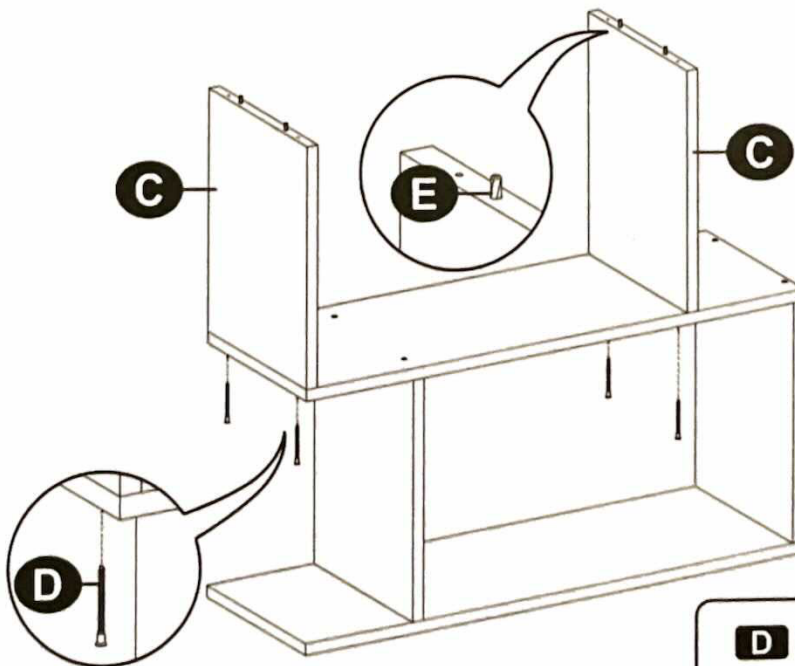
3



D  4PCS

E  4PCS

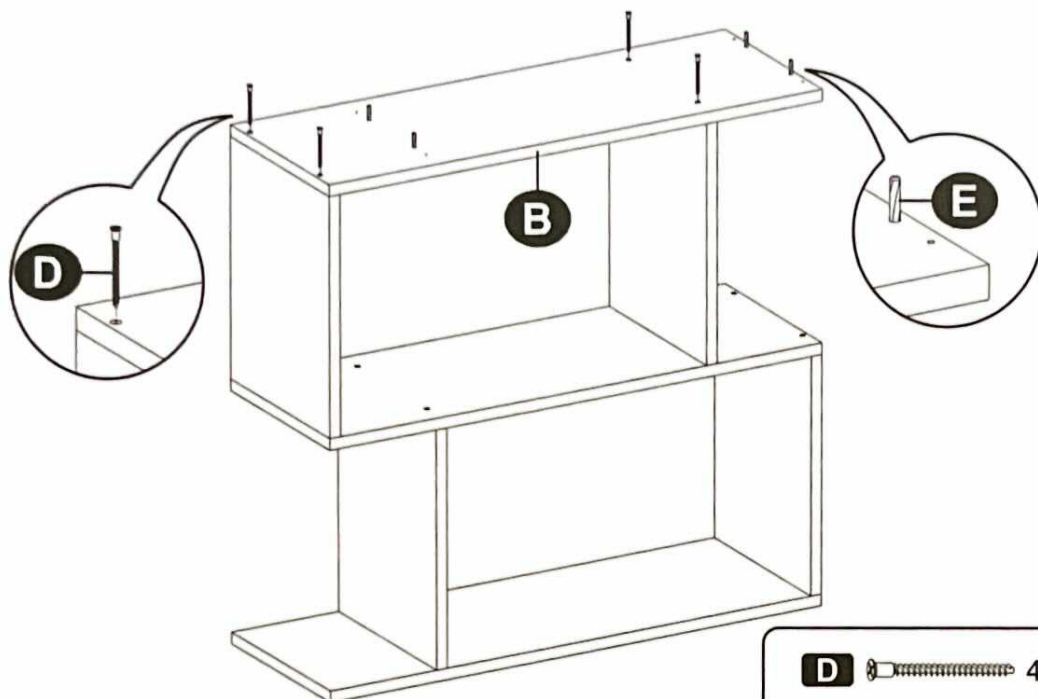
4





D  4PCS

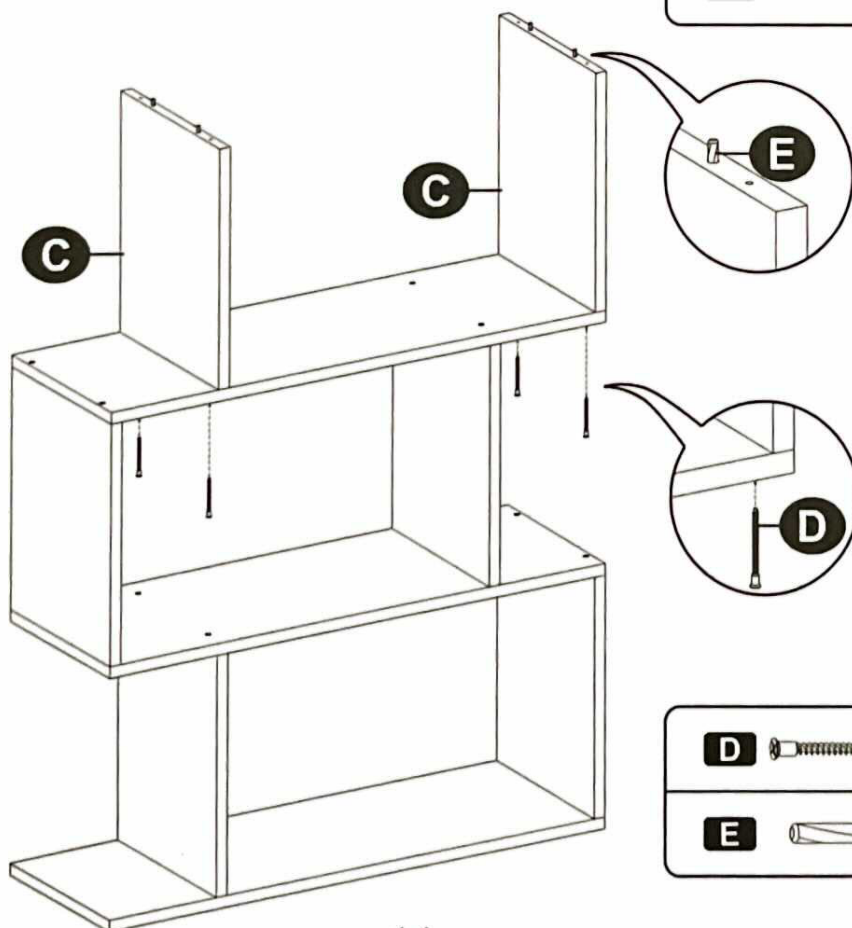
E  4PCS



5



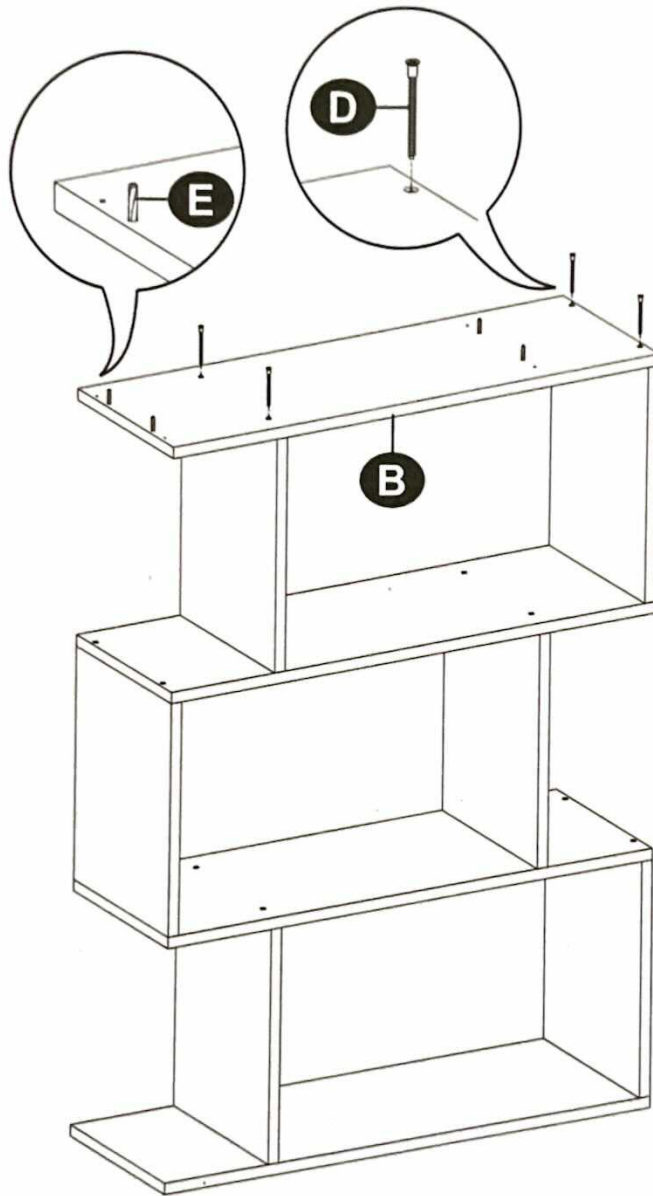
D		4PCS
E		4PCS



6



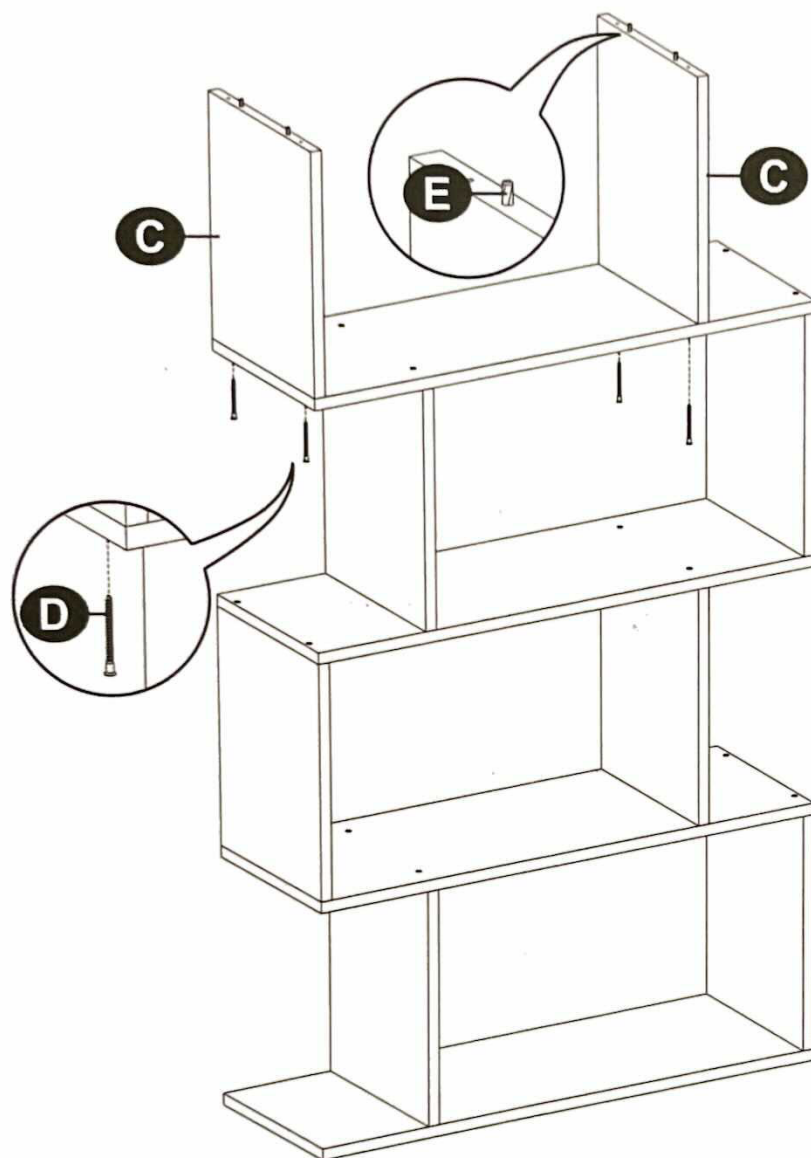
D		4PCS
E		4PCS

7



- | | | |
|----------|---|------|
| D |  | 4PCS |
| E |  | 4PCS |

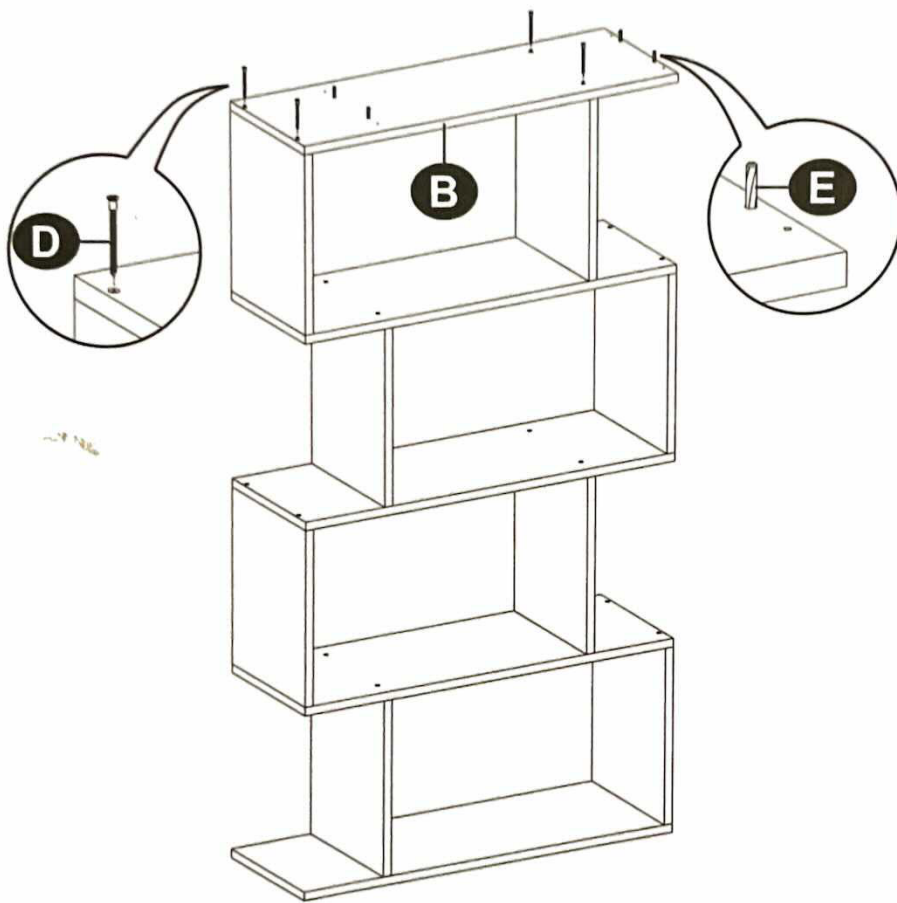
8





D  4PCS

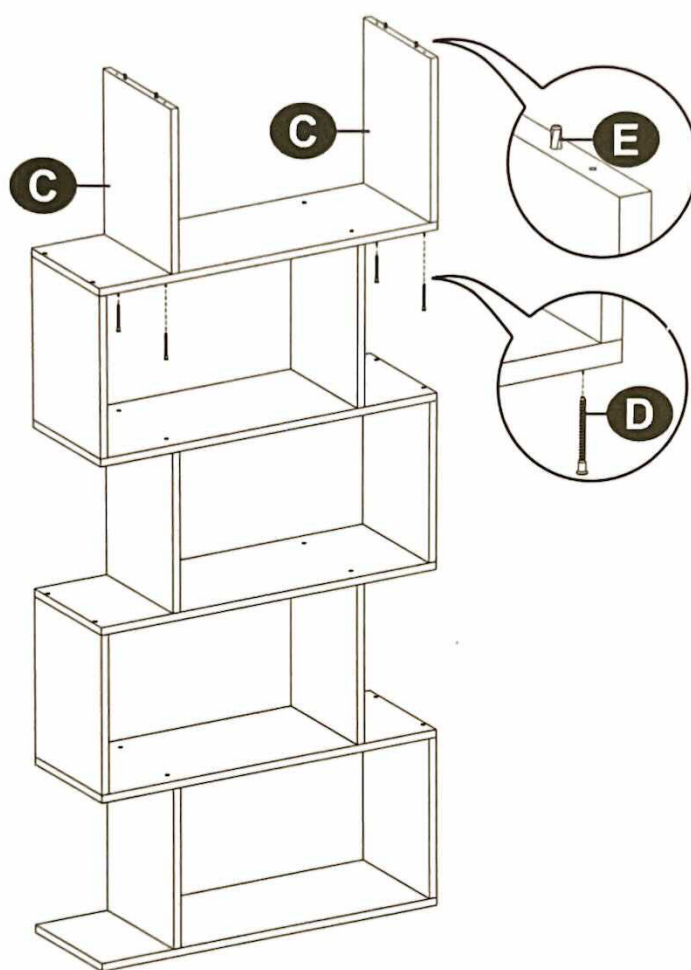
E  4PCS

9



D		4PCS
E		4PCS

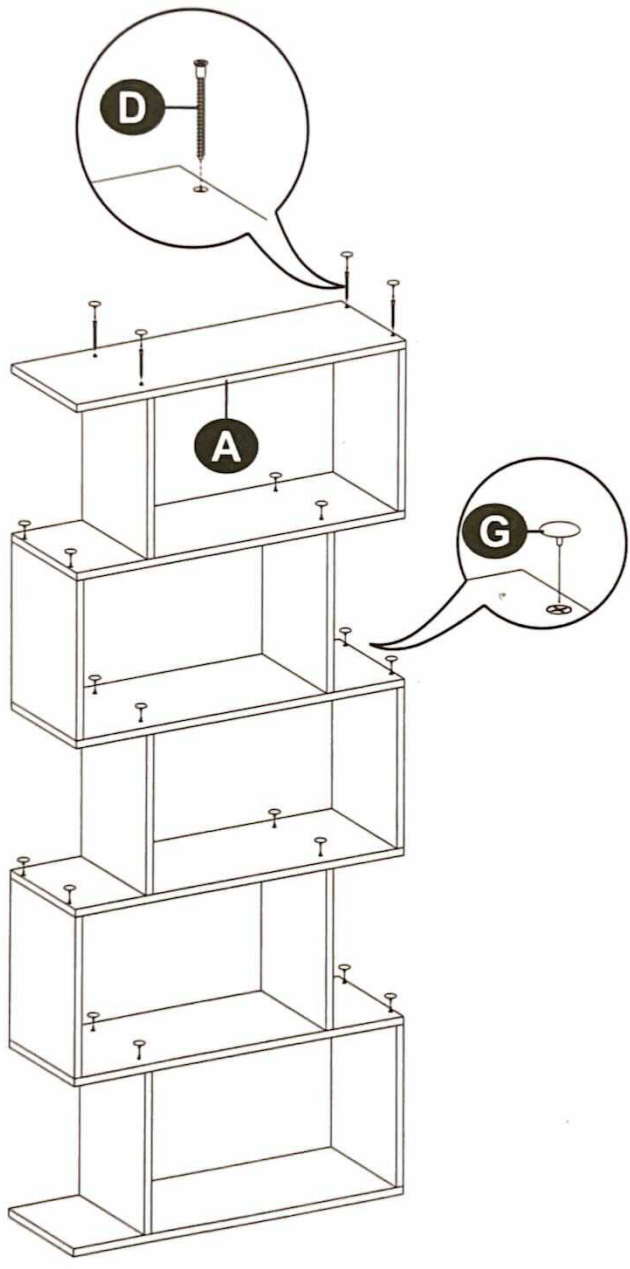
10





D  4PCS

E  4PCS

11



- | | | |
|----------|---|-------|
| D |  | 4PCS |
| G |  | 20PCS |

12

