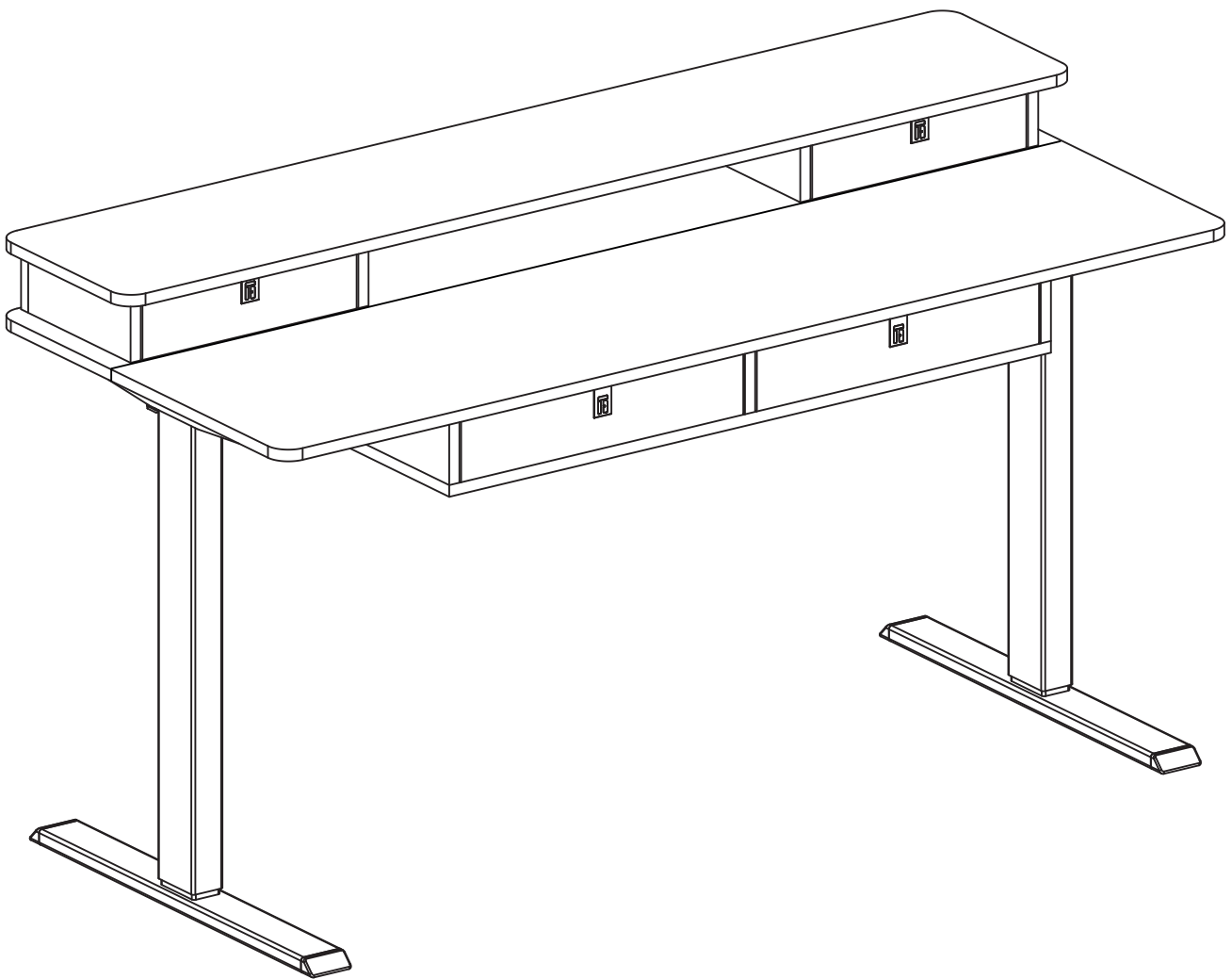


# Brasa Model 1

DESKTOP ONLY



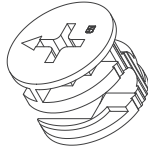
For Use with  
FEZiBO Desktops 48" and Larger

---

# Parts List



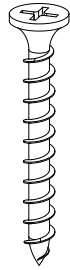
A  
x15



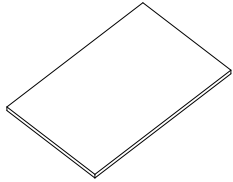
B  
x15



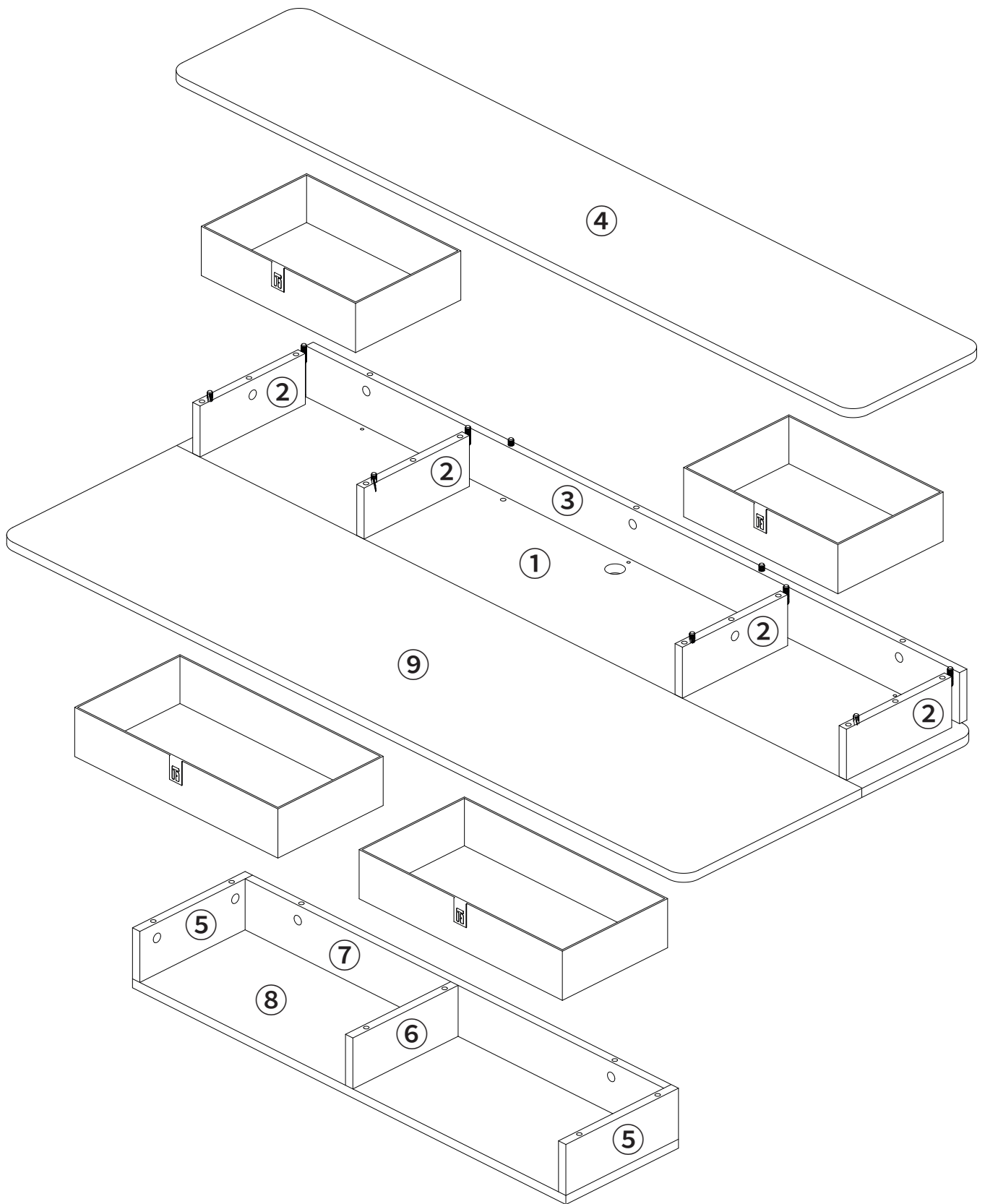
C  
x21



D  
x19

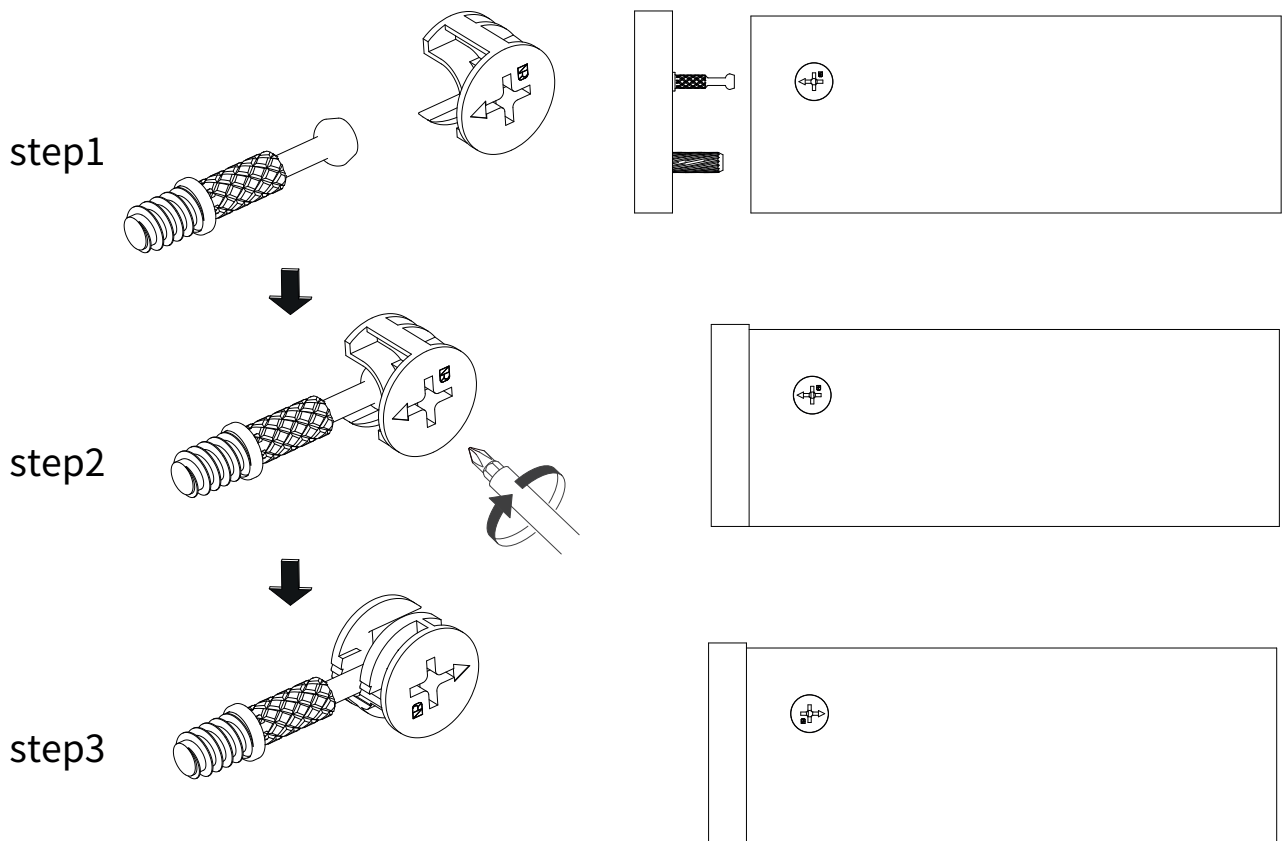


Hoop Loop Strip  
x2



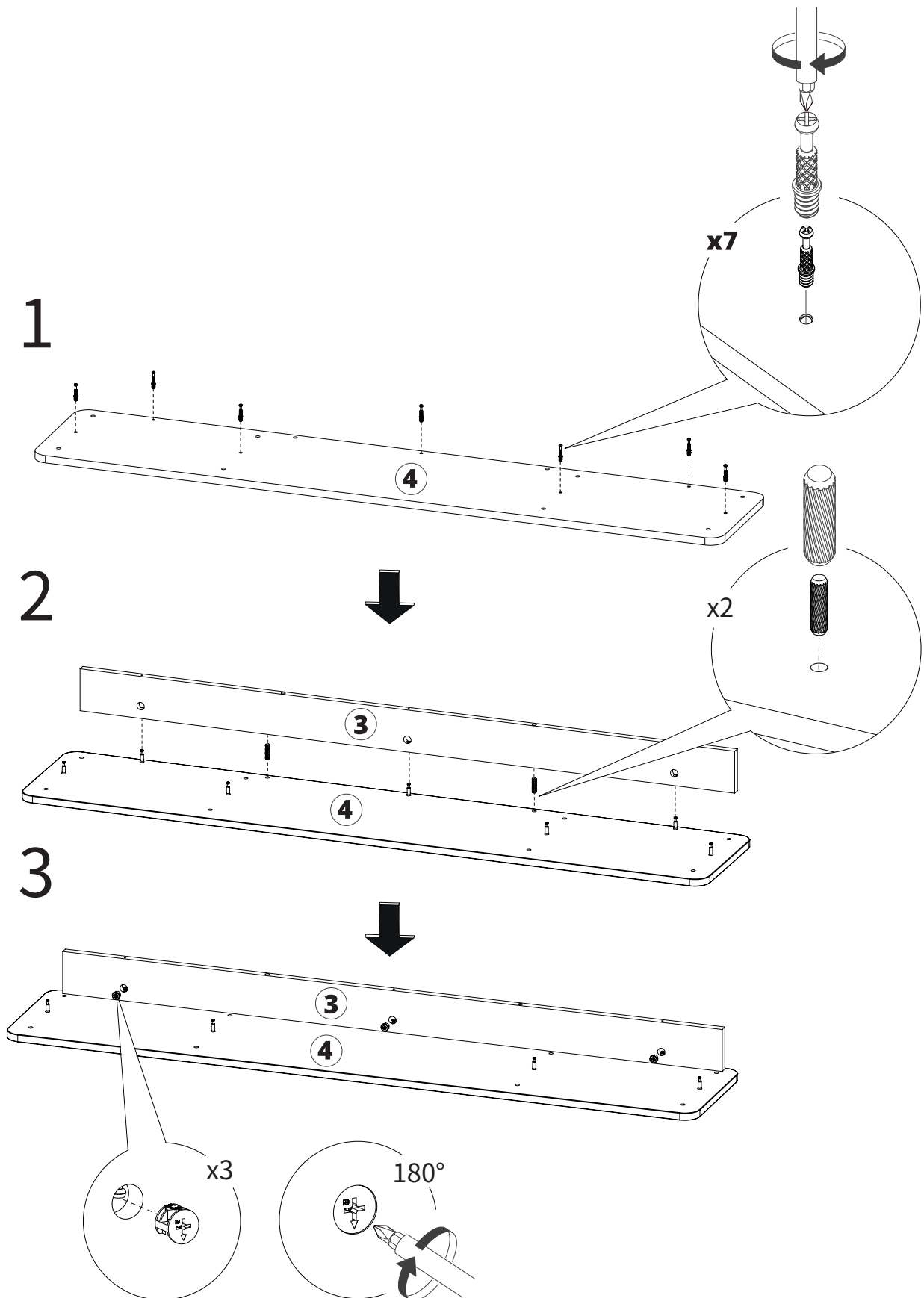
# Assembly

## Step 1



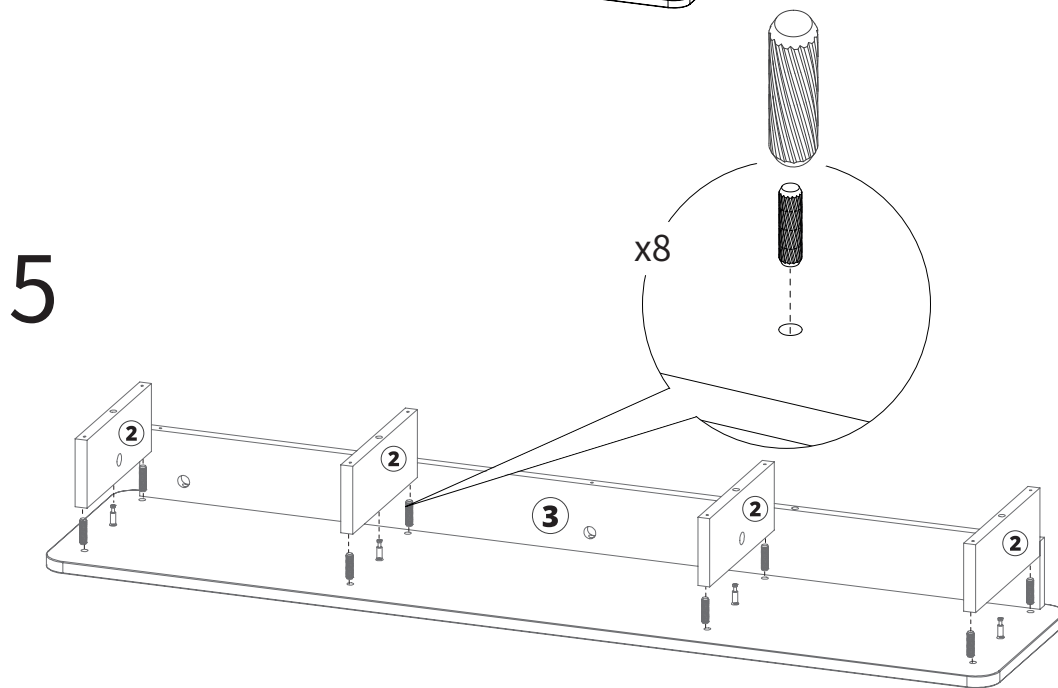
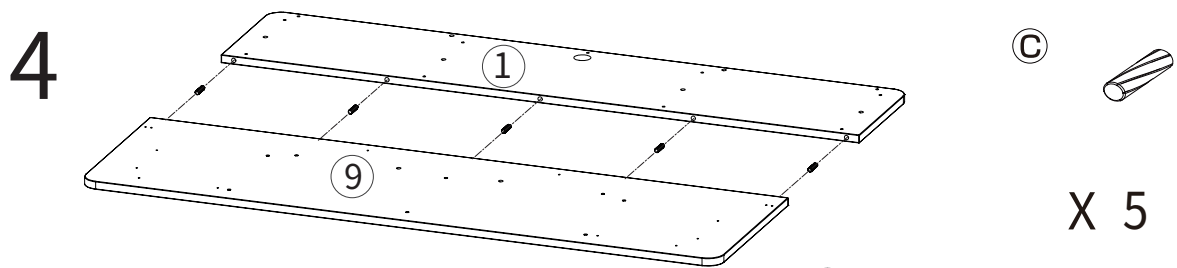
# Assembly

## Step 2

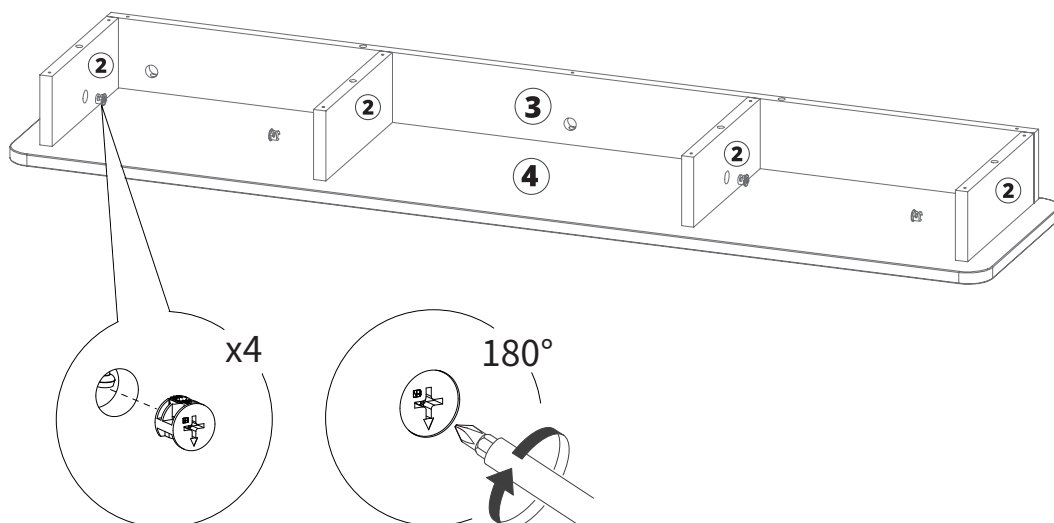


# Assembly

## Step 3



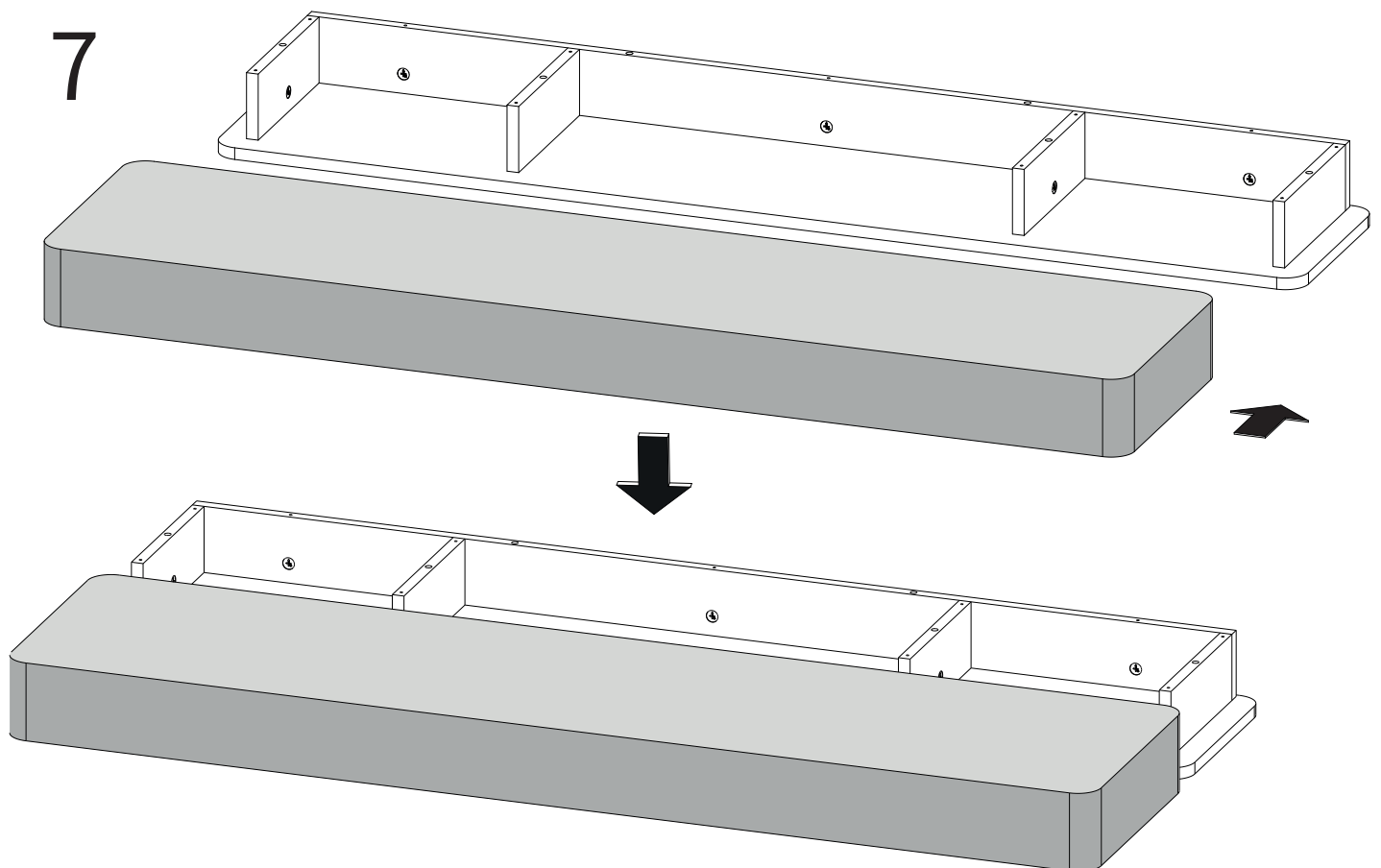
6



# Assembly

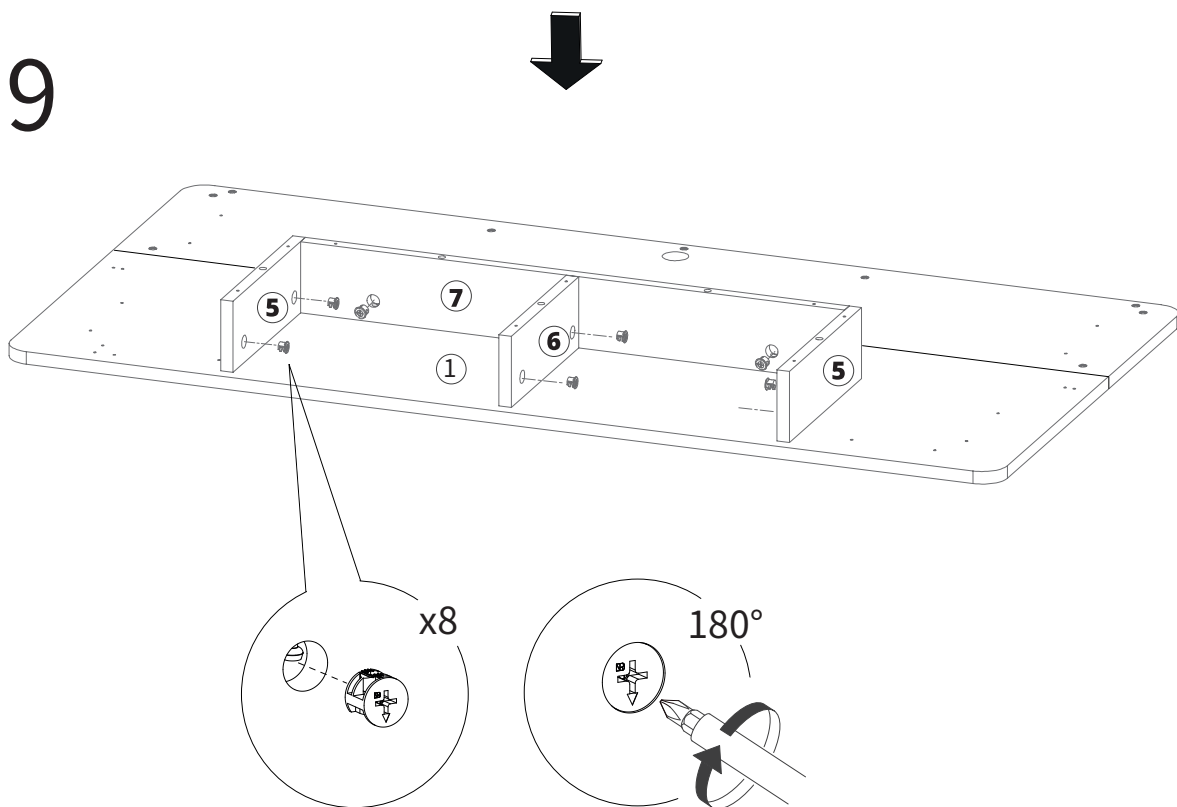
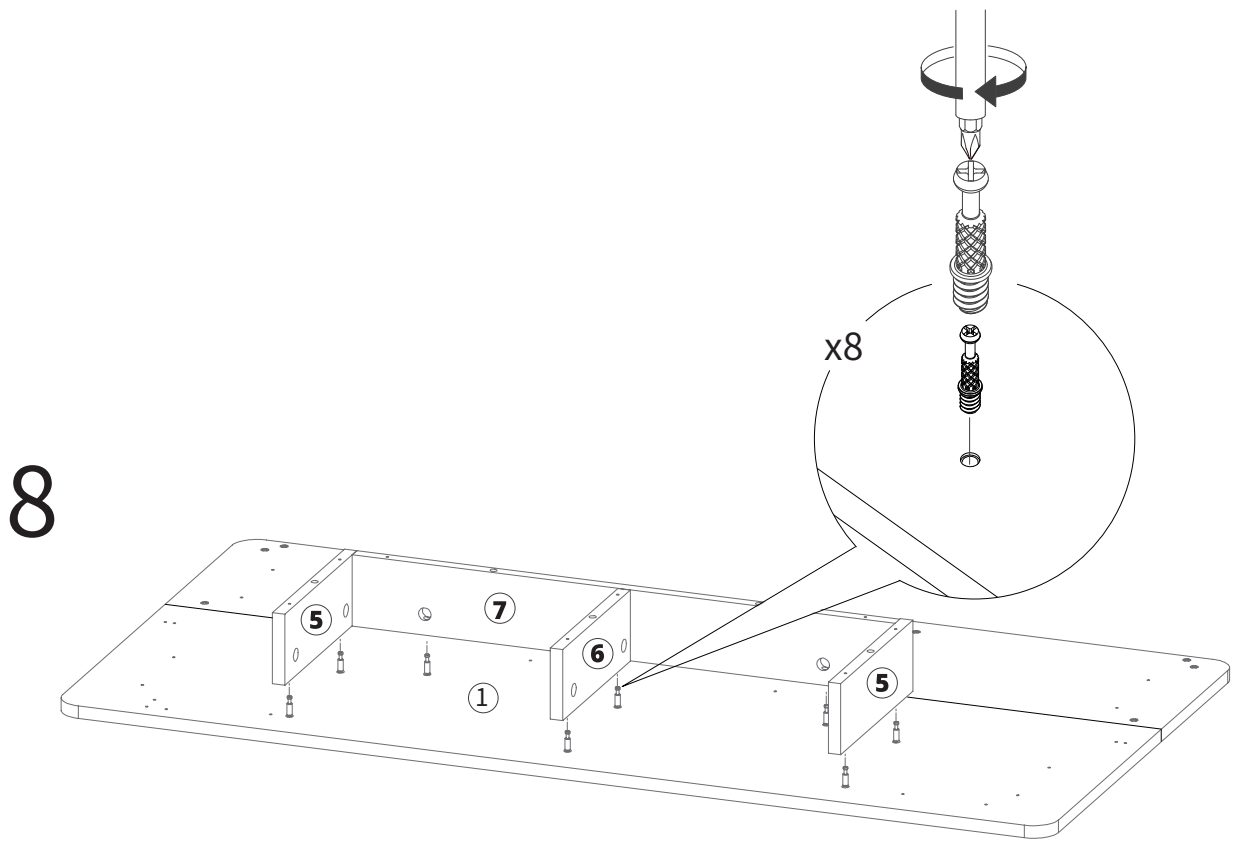
## Step 4

⚠ Please place an underprop (e.g. package box) to level off the desktop



# Assembly

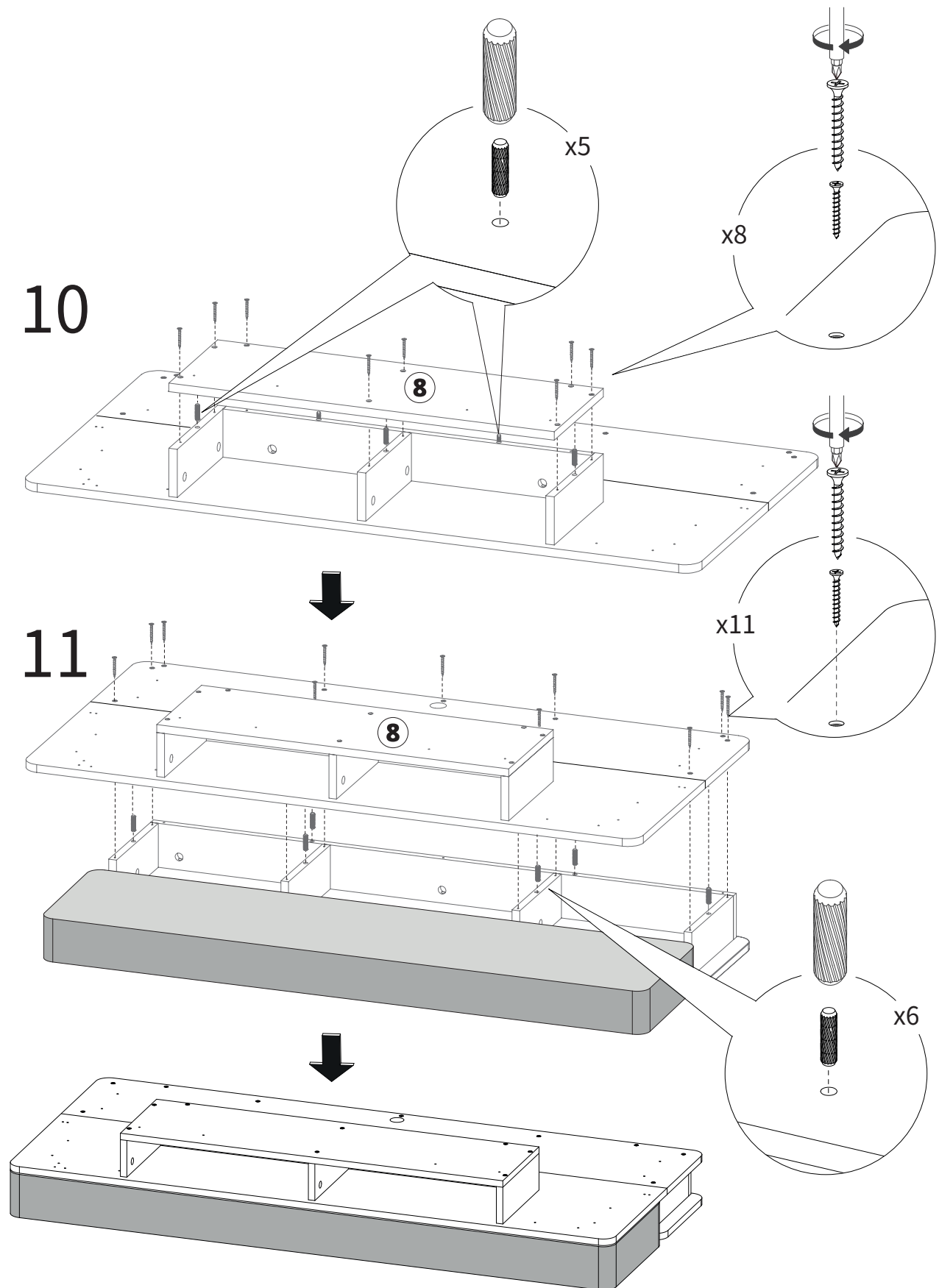
## Step 5





# Assembly

## Step 6





## **Please note**

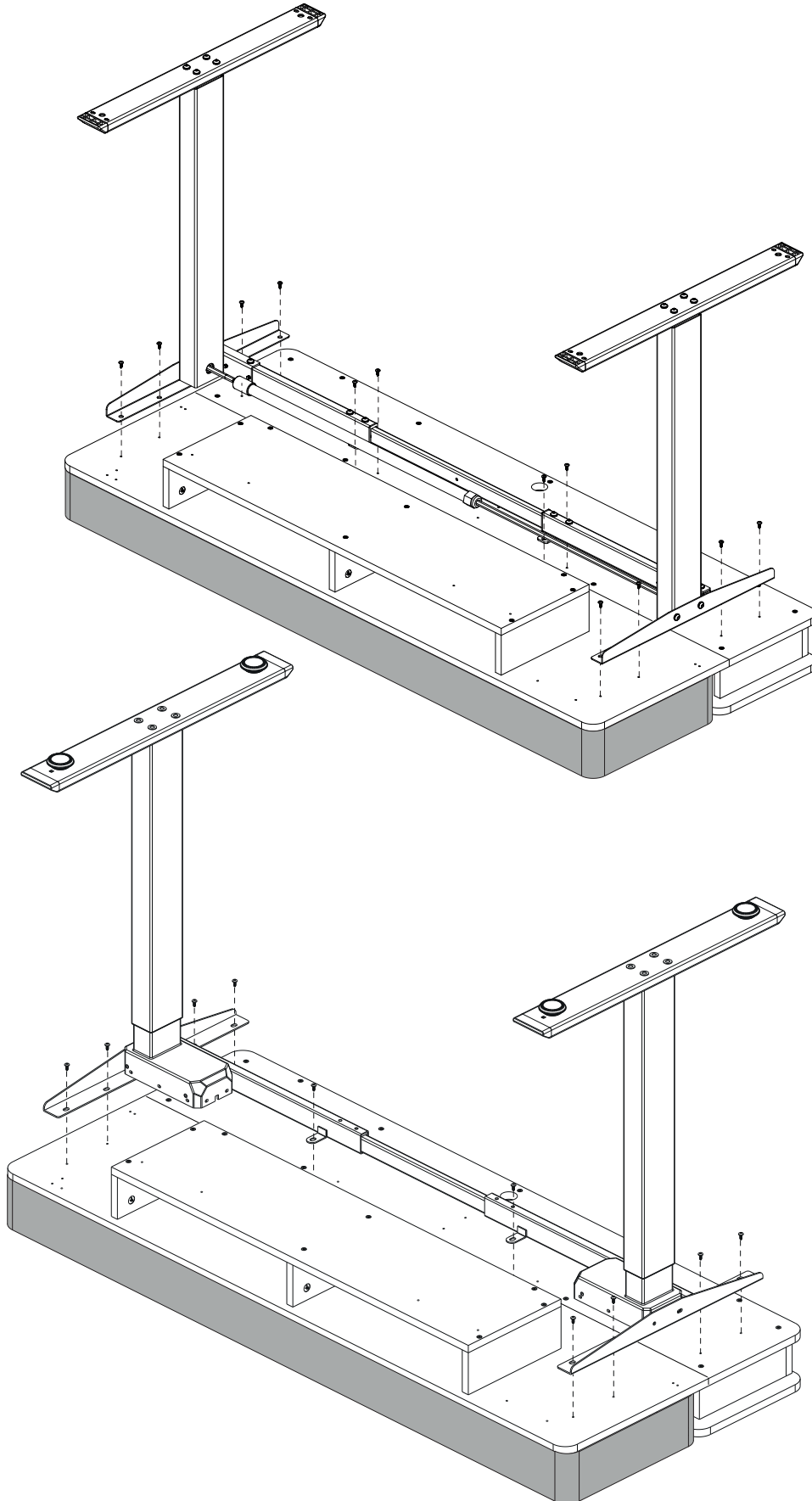
the deskframe above is for assembly reference only/ONLY.  
The actual deskframe is subject to your own selection.



# Assembly

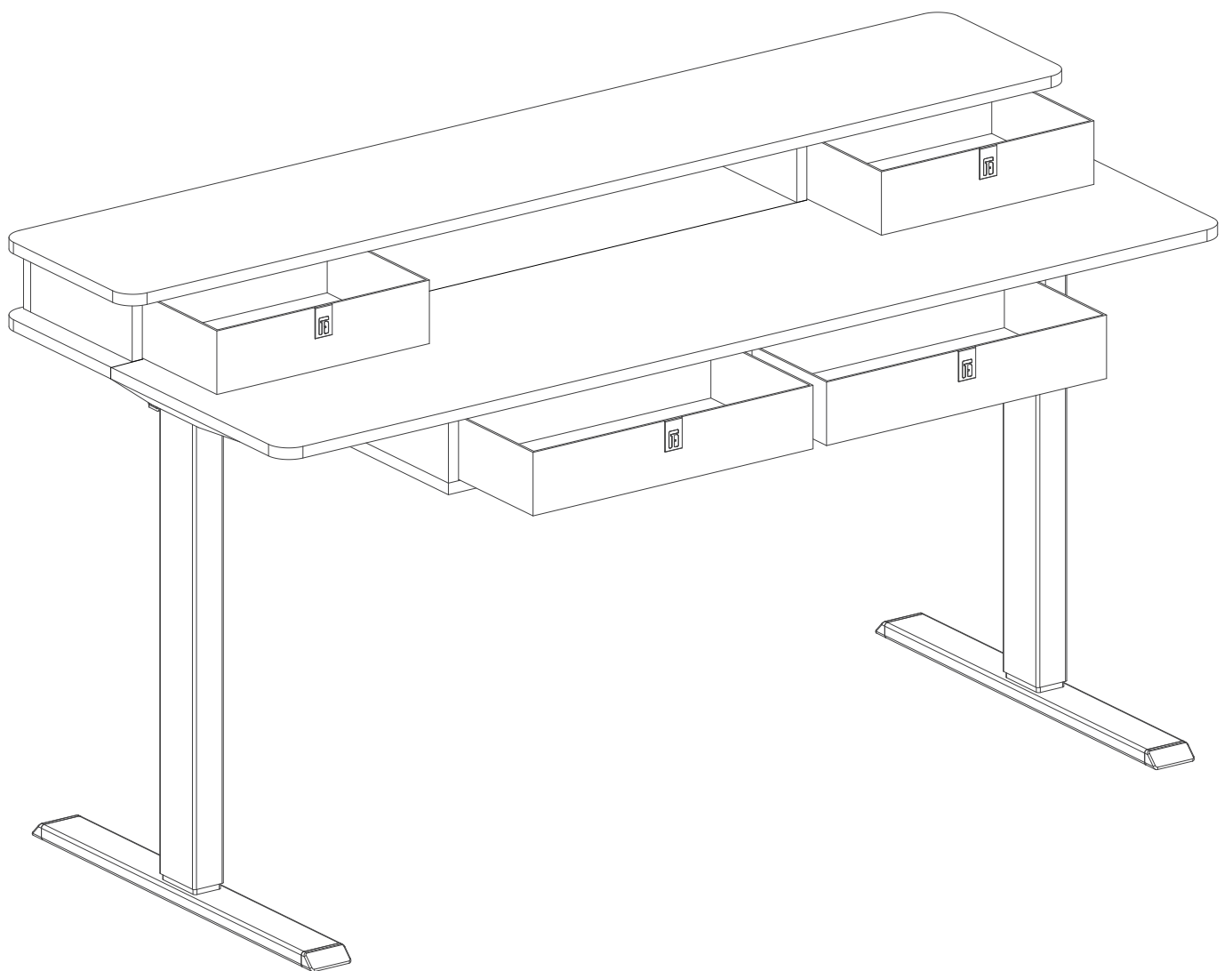
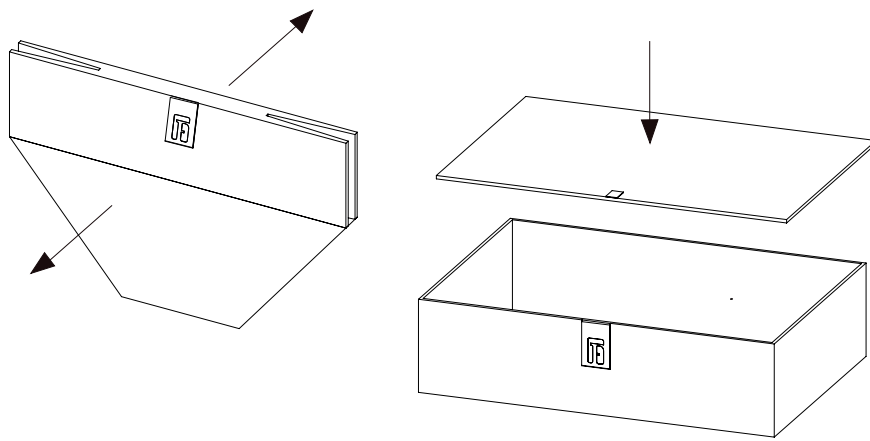
## Step 7

12



## Step 8

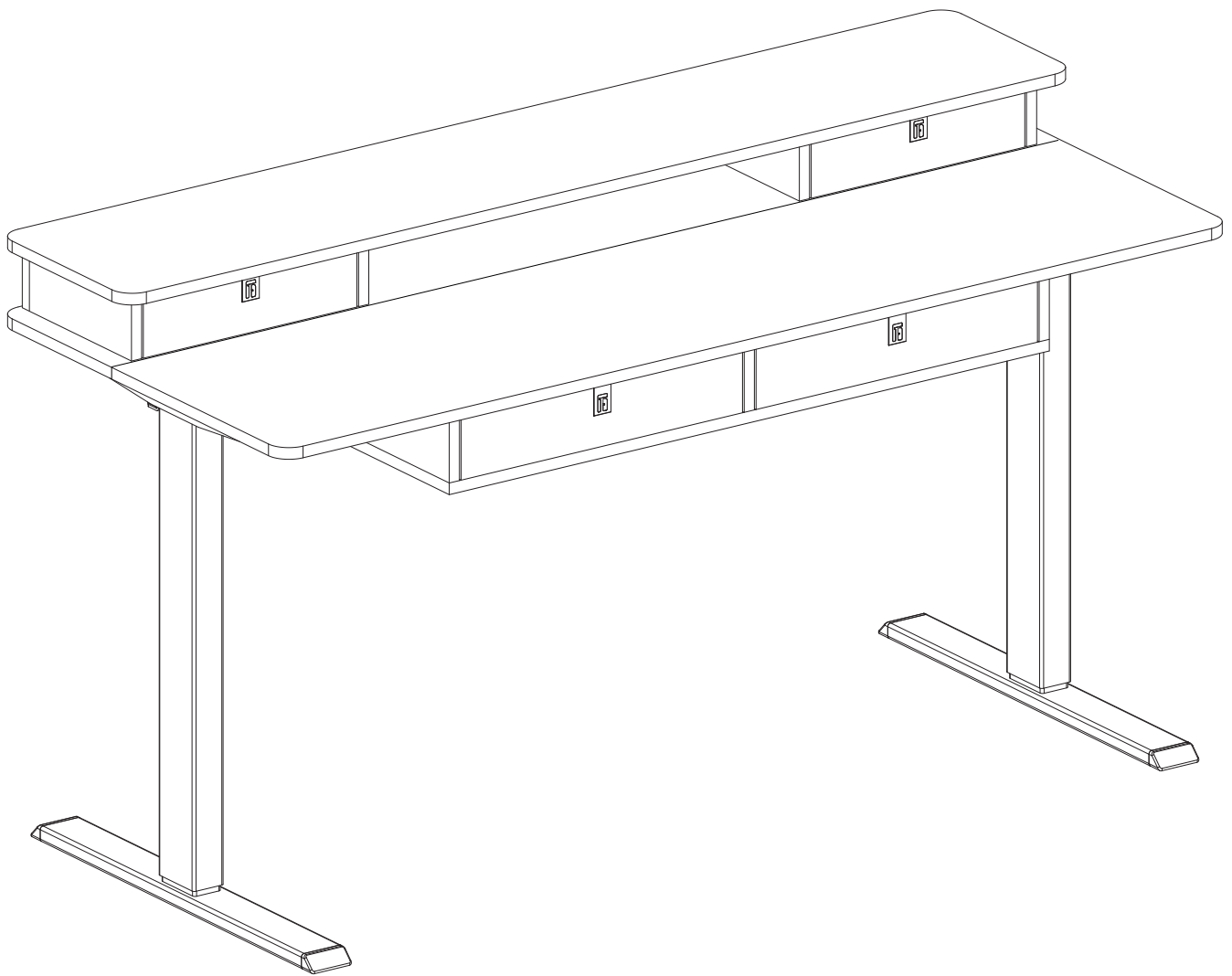
13





# Assembly

## Step 9



# Why choose FEZiBO?

Many ergonomic office solutions come at a high cost. Our mission is to bring you a more affordable solution with innovation, creativity and efficiency without compromising quality or ease of use.



FEZiBO