



Assembly Instruction

Furinno 5 Tier Shelf Bookcase

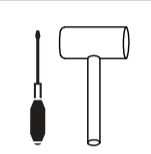
MODEL : 14110R1
 DIMENSION : 24.5"(W) x 71.2"(H) x 9.5"(D)

00:30

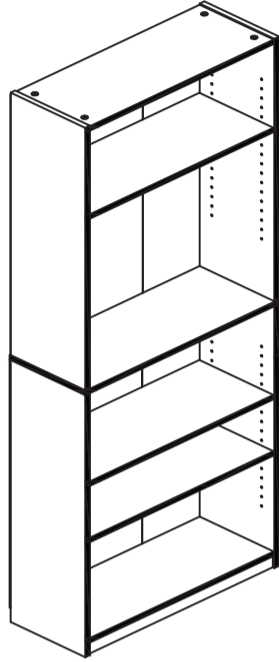
Approx. 30 minutes



Recomm. 2 Person



Tool Required



Customer Support

NEED HELP? For help with assembly, or if you are missing a part, please call Furinno Customer Service, 1-773-299-8111 from Mon-Fri, 9am-5pm (CST) or email: support@furinno.com

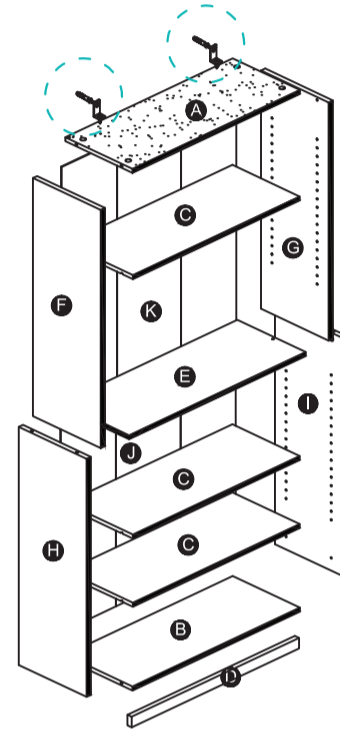
www.furinno.com



14110R12015111

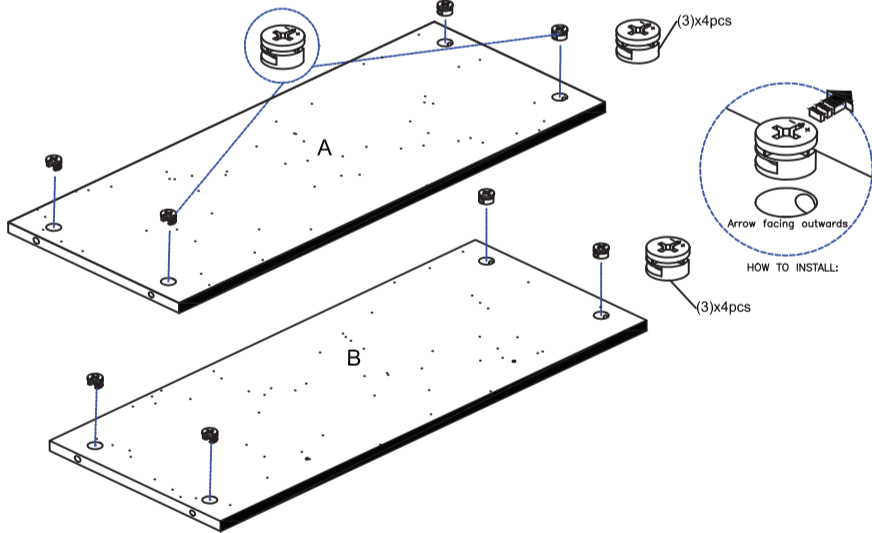
No	Hardware List	Qty
1	Large Screw	2pcs
2	Small Screw	4pcs
3	Mini Fix Cam	12pcs
4	Mini Fix Bolt	12pcs
5	Power Pin	46pcs
6	Shelving Support	12pcs
7	L Bracket	2pcs
8	Wall Mounting Set	2sets

No	Parts List	Qty
A	Top Panel	1pc
B	Bottom Panel	1pc
C	Shelf Panel	3pcs
D	Bottom Bar	1pc
E	Center Panel	1pc
F	Top Left Side Panel	1pc
G	Top Right Side Panel	1pc
H	Bottom Left Side Panel	1pc
I	Bottom Right Side Panel	1pc
J	Bottom Back Panel	1set
K	Top Back Panel	1set



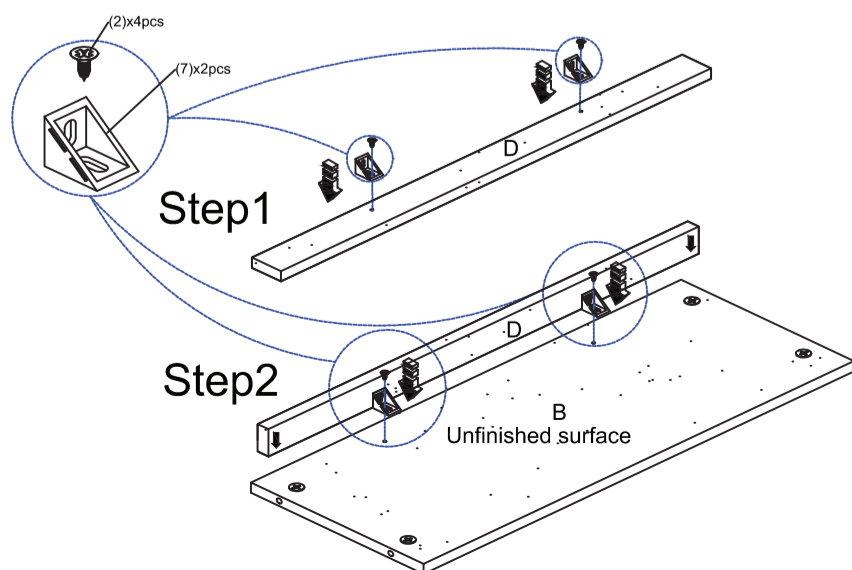
STEP 1

Insert Mini Fix Cam (3) to Panel (A&B), as shown.



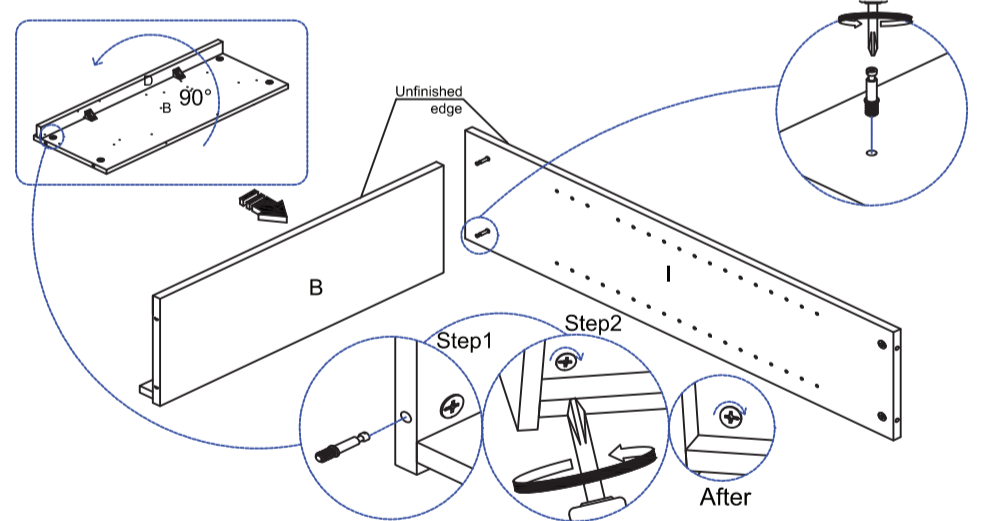
STEP 2

2.1 Install L Bracket (7) to Bar (D) with Small Screw (2).
 2.2 Attach assembled unit to Panel (B) with Small Screw (2).



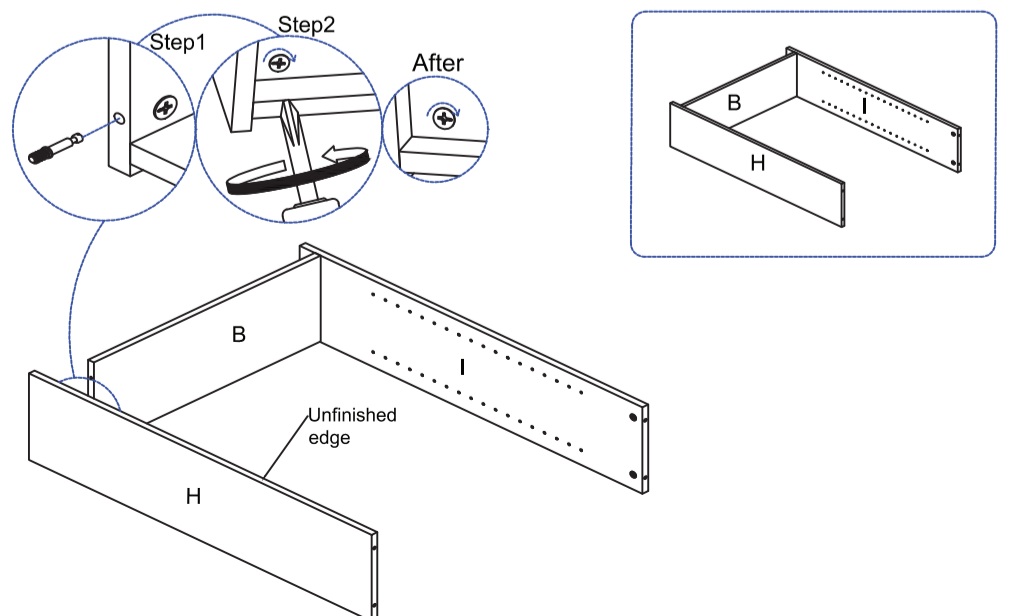
STEP 3

3.1 Insert Mini Fix Bolt (4) into Panel (I) using screwdriver.
 3.2 Attach Panel (I) to assembled unit in Step 2, as shown.



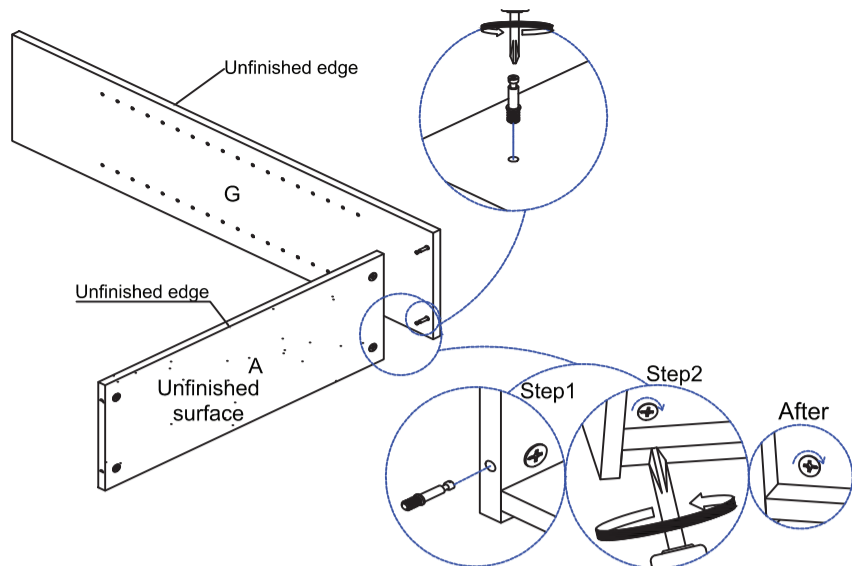
STEP 4

Insert Mini Fix Bolt (4) into Panel (H) and attach Panel (H) to Panel (B), as shown.

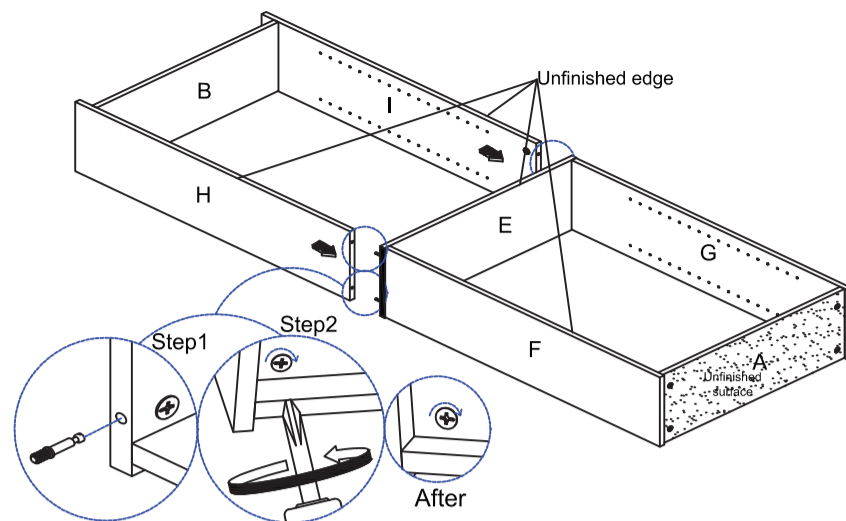


STEP 5

Insert Mini Fix Bolt (4) to Panel (G) and attach Panel (G) to Panel (A), as shown.

**STEP 7**

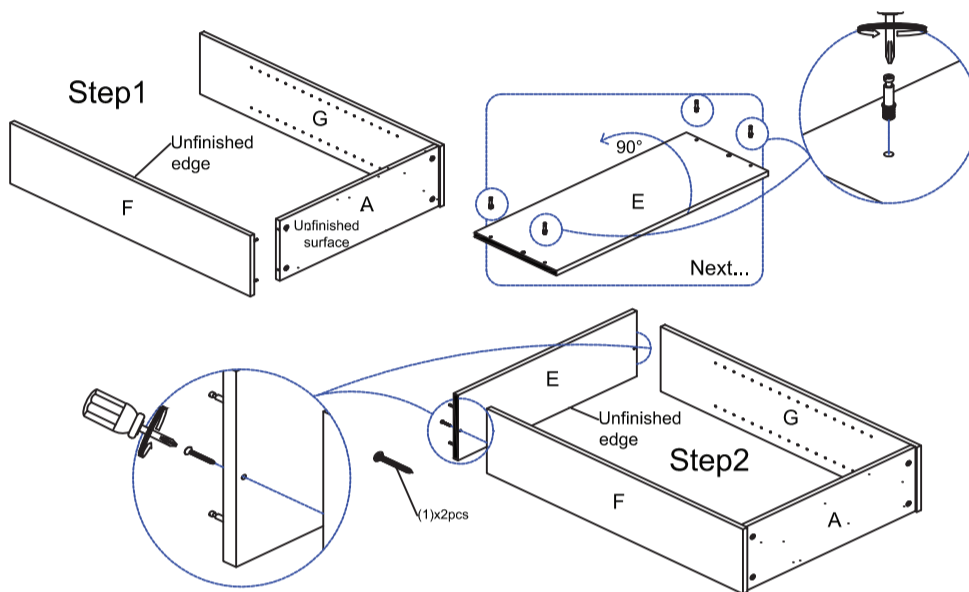
Combine both assembled unit in Step (4&6), as shown.

**STEP 6**

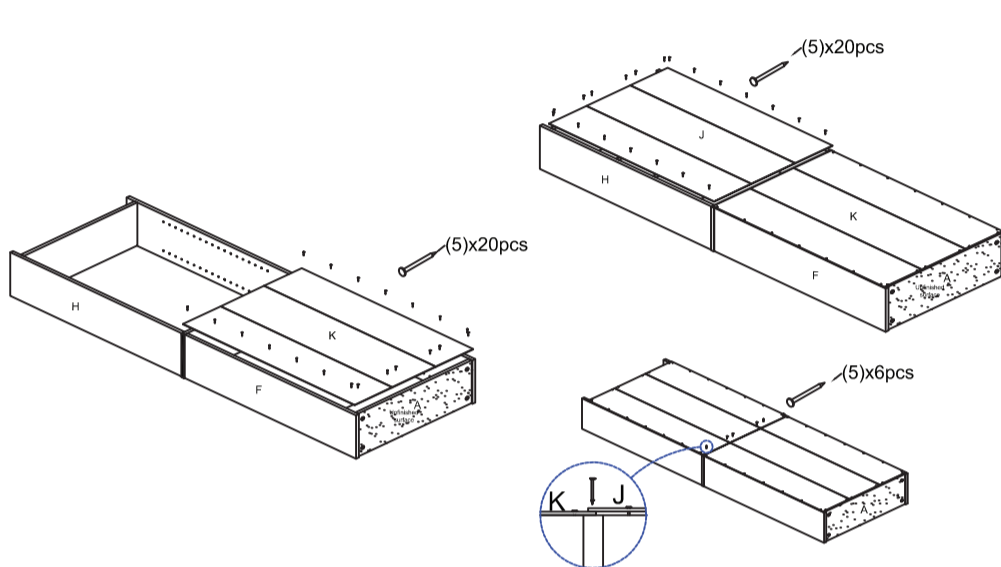
6.1 Insert Mini Fix Bolt (4) to Panel (E&F).

6.2 Attach Panel (F) to Panel (A).

6.3 Attach Panel (E) to Panel (G&F) using Large Screw (1), as shown.

**STEP 8**

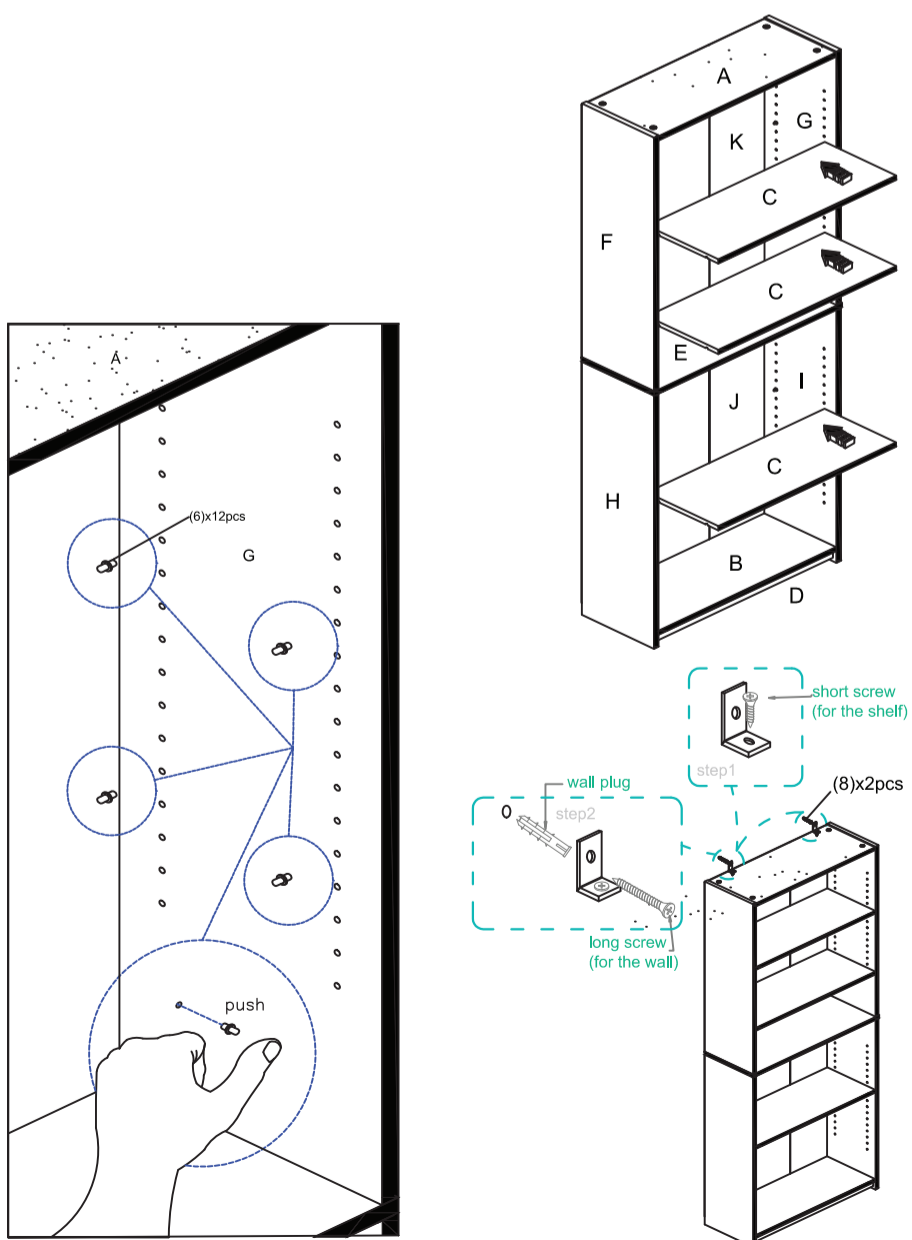
Attach Back Panel (J&K) to the back of the assembled unit using Power Pin (5).

**STEP 9**

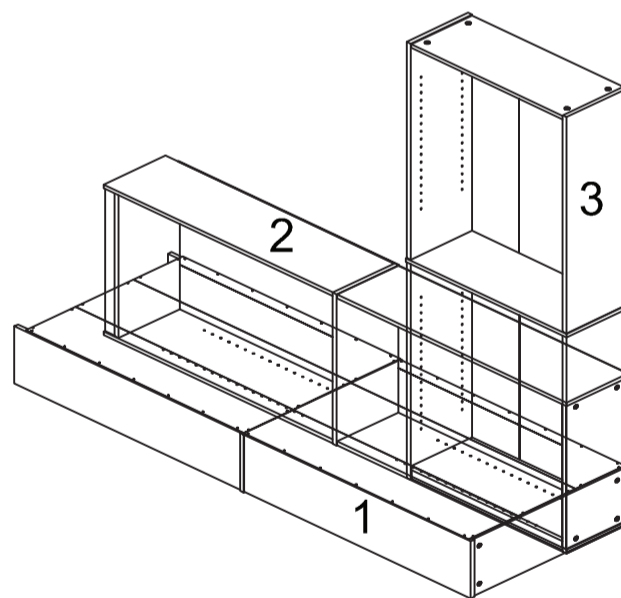
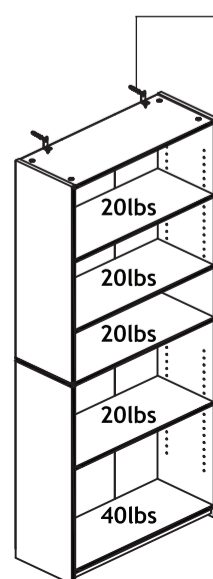
9.1 Insert Shelving Support (6) to the pre-drilled holes on Panel (F,G,H&I).

9.2 Insert Shelf Panel (C) to the unit, as shown.

9.3 Fix the unit to the wall using Wall Mounting Set (8) to prevent unit from falling.

**STEP 10**

The unit can be placed vertically or horizontally depending on the space and the need.

**Recommended Maximum Weight**

*NOTE: Please use wall plug to prevent unit from falling.

WARNING:

>This unit has been designed to support the maximum loads shown. Exceeding these load limits could cause sagging, instability, product collapse, and/or serious injury.

>DO NOT allow children to climb on unit.

>Put heavier items on lower shelves.