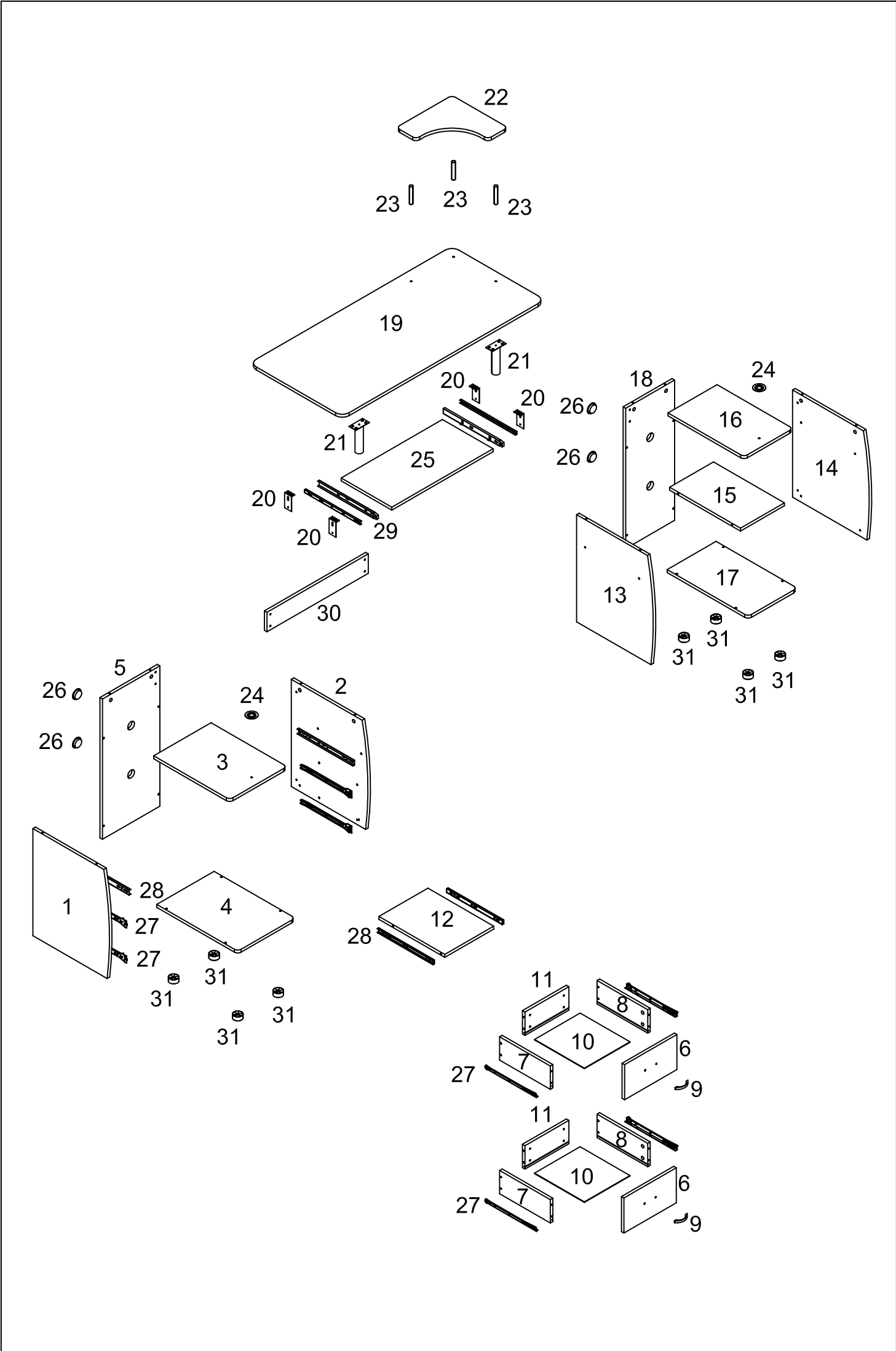
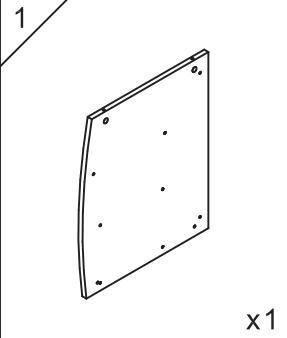
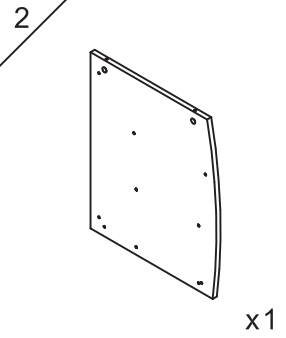
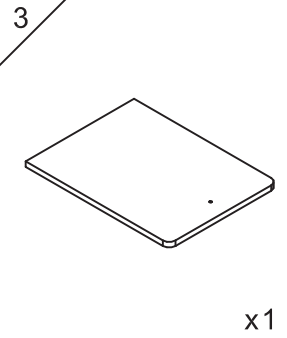
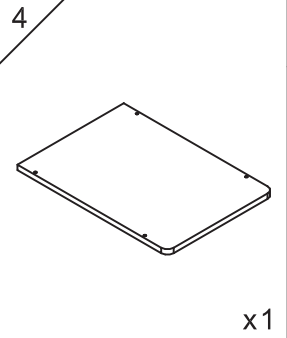
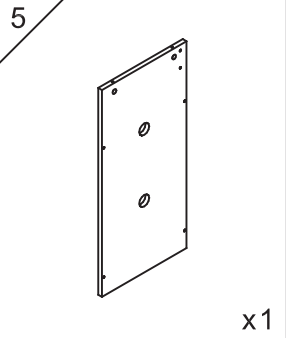
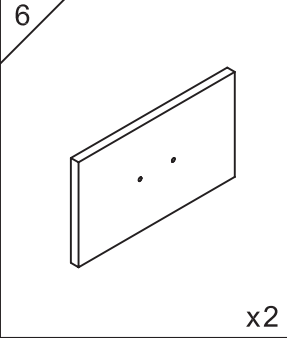
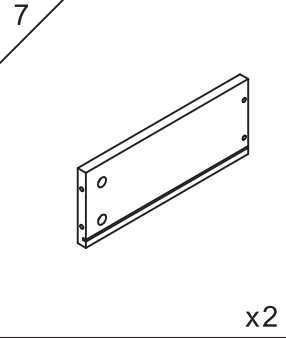
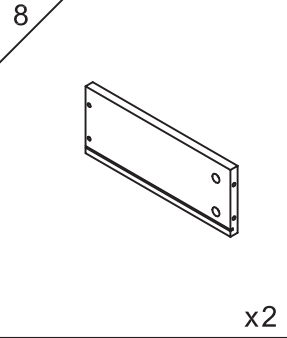
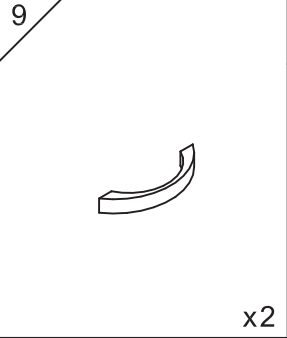
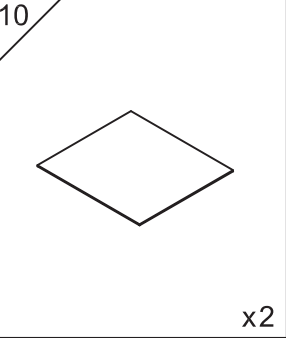
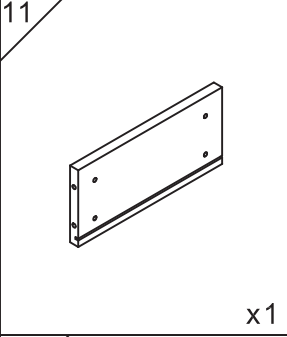
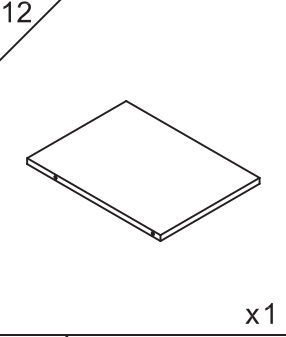
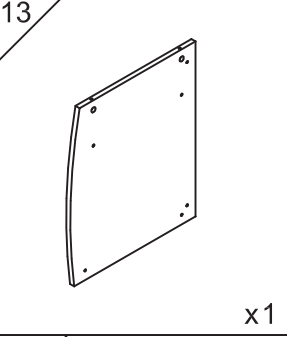
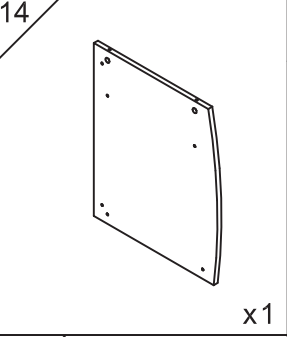
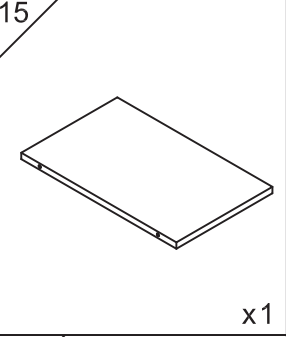
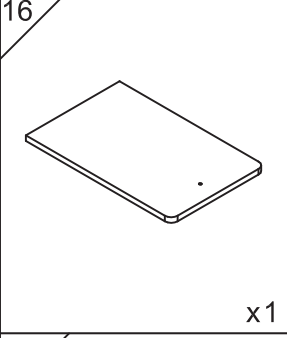
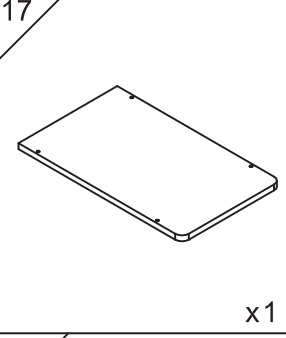
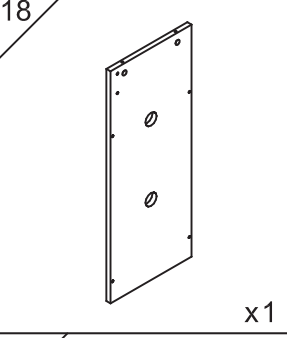
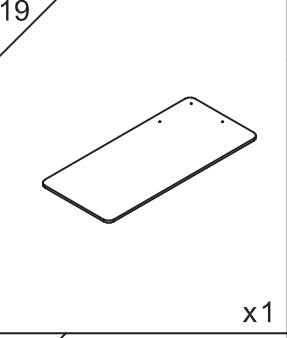
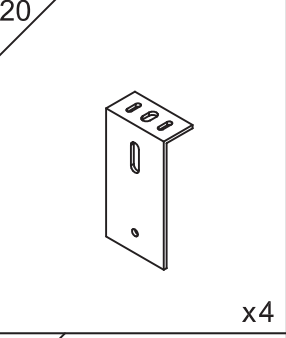
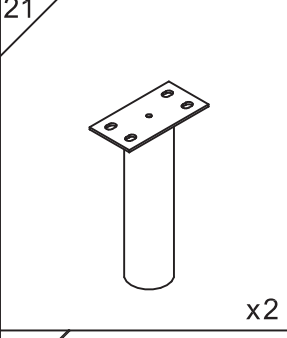
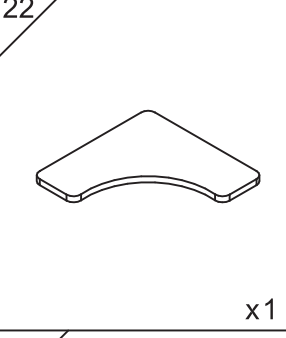
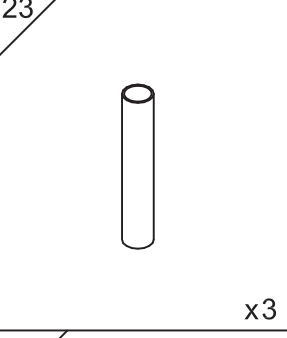
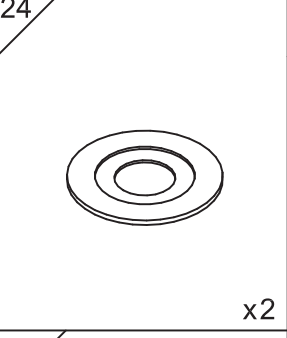
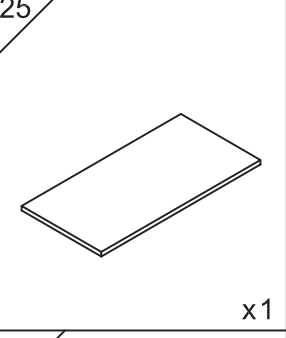
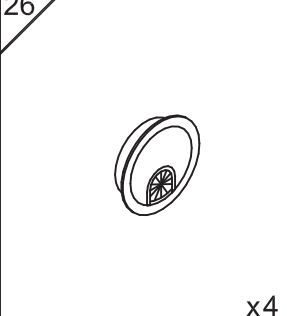
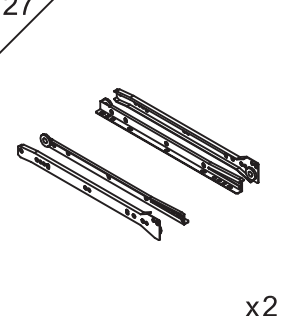
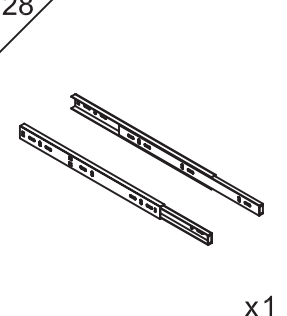
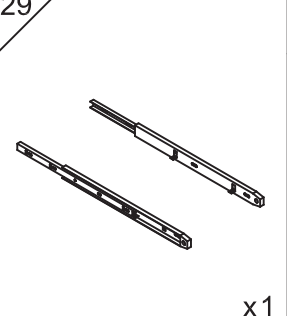
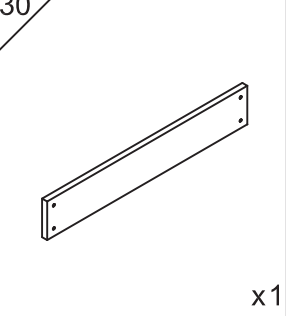
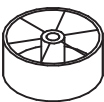





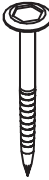





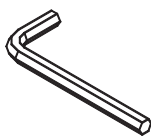
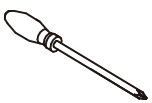



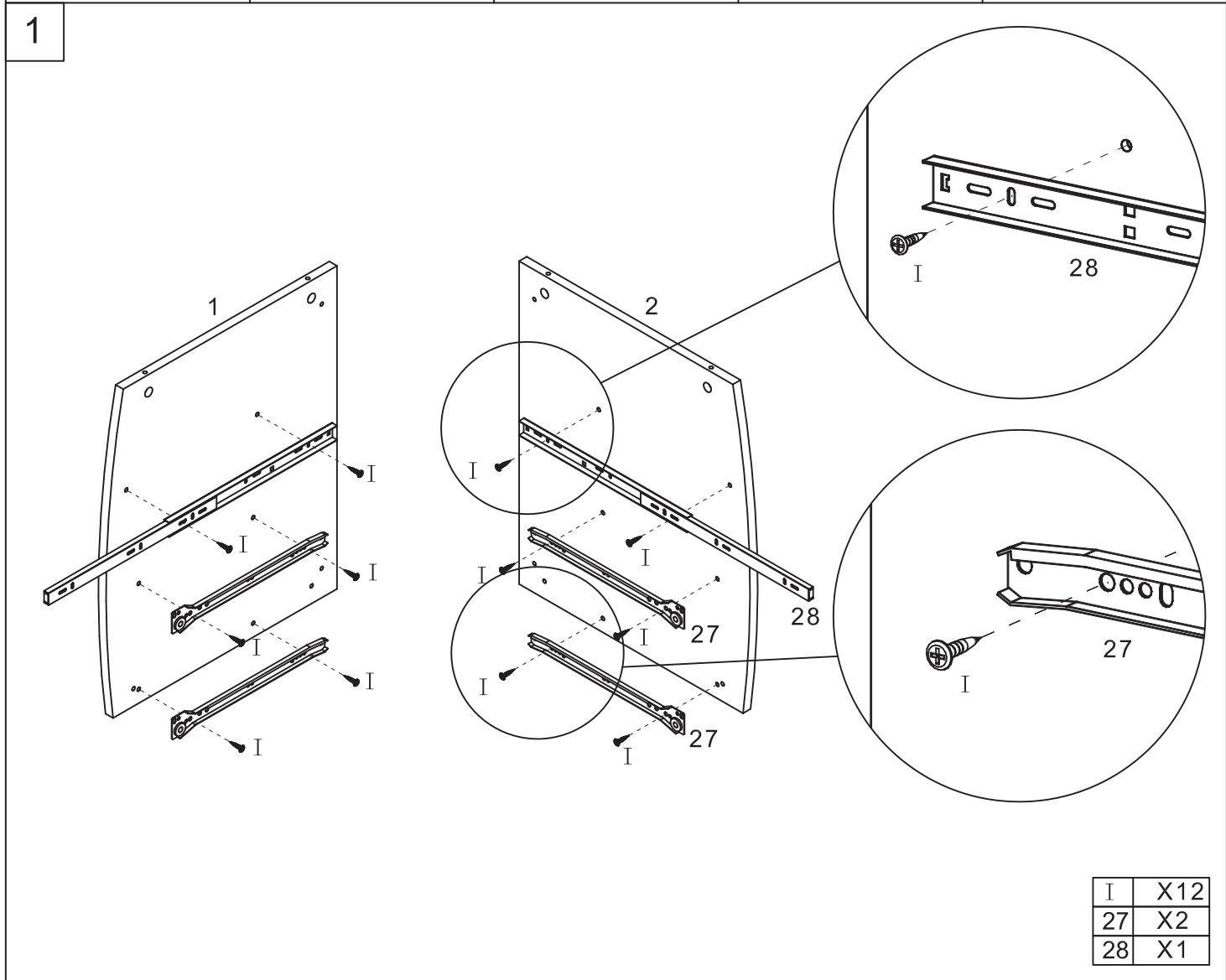
OPERATING INSTRUCTIONS



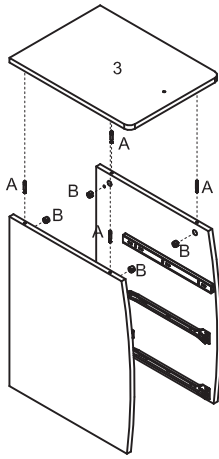
Assembling Instruction

1  x1	2  x1	3  x1	4  x1	5  x1
6  x2	7  x2	8  x2	9  x2	10  x2
11  x1	12  x1	13  x1	14  x1	15  x1
16  x1	17  x1	18  x1	19  x1	20  x4
21  x2	22  x1	23  x3	24  x2	25  x1
26  x4	27  x2	28  x1	29  x1	30  x1

<p>31</p>  <p>x8</p>	<p>A</p>  <p>x20</p>	<p>B</p>  <p>x20</p>	<p>C</p>  <p>M6X45 x6</p>	<p>D</p>  <p>M6X115 x3</p>
<p>E</p>  <p>M6X10 x12</p>	<p>F</p>  <p>M5X50 x28</p>	<p>G</p>  <p>M4X30 x8</p>	<p>H</p>  <p>M4X17 x4</p>	<p>I</p>  <p>M4X12 x28</p>
<p>J</p>  <p>M4X8 x4</p>	<p>K</p>  <p>M6 x4</p>			

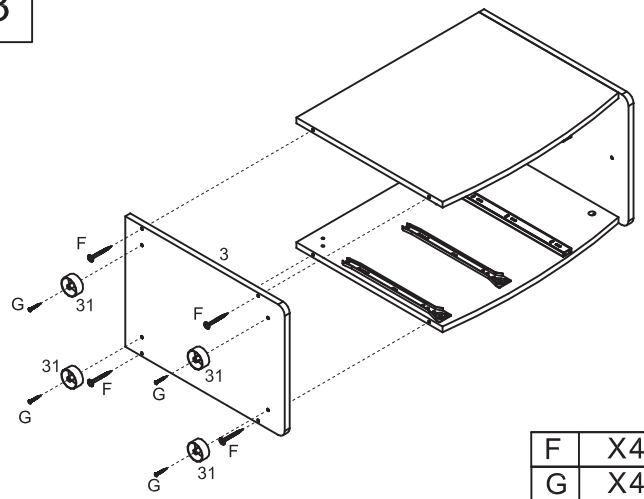


2



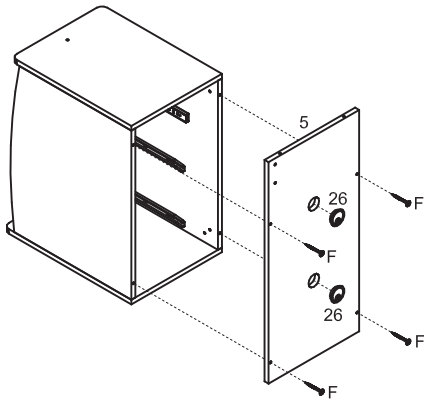
A	X4
B	X4

3



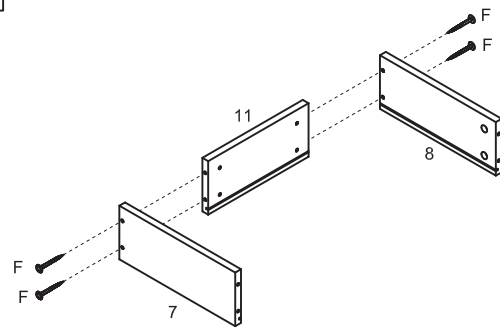
F	X4
G	X4

4



F	X4
---	----

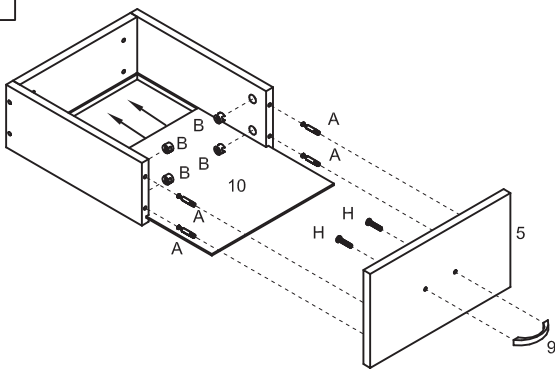
5



X2

F	X8
---	----

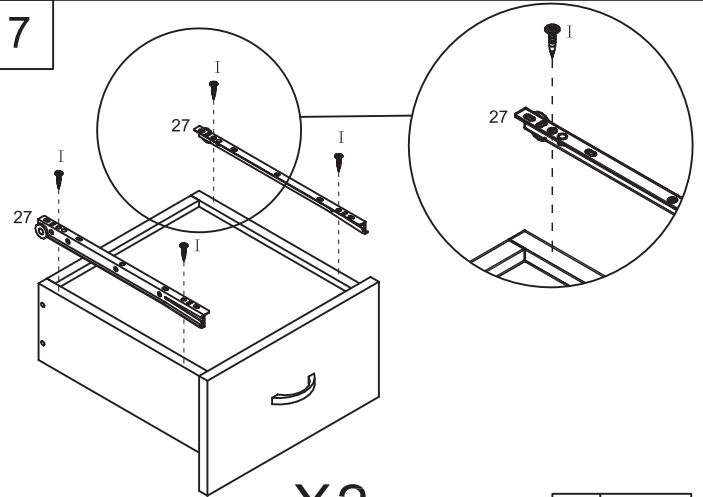
6



X2

A	X8
B	X8
H	X4

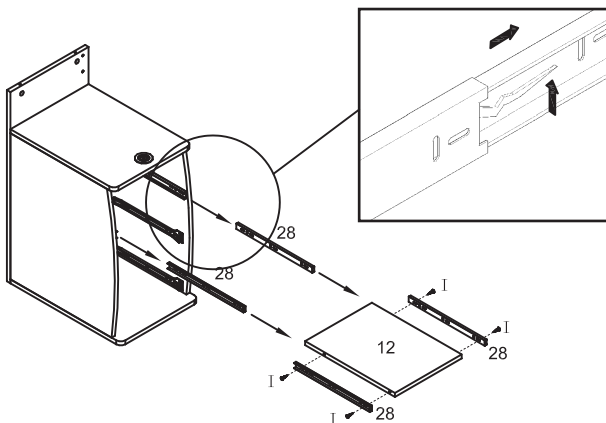
7



X2

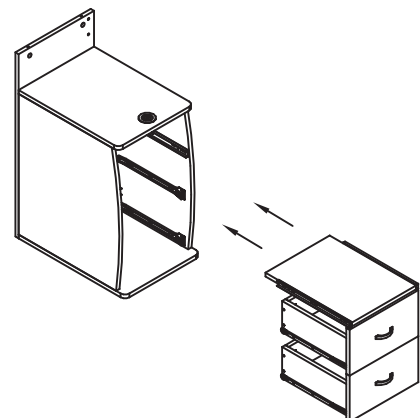
I	X8
---	----

8

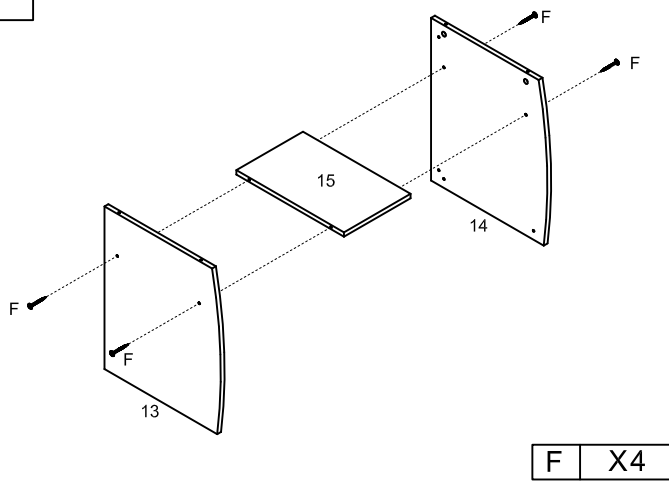


I	X4
---	----

9

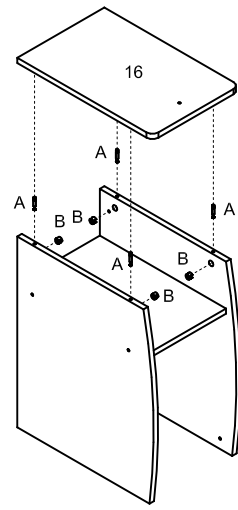


10



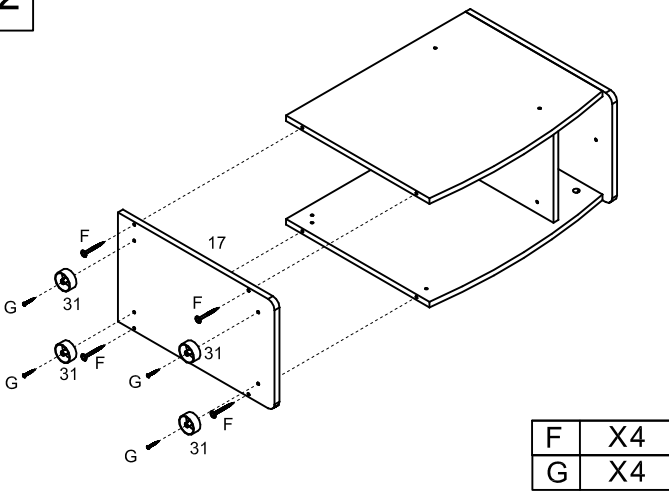
F	X4
---	----

11



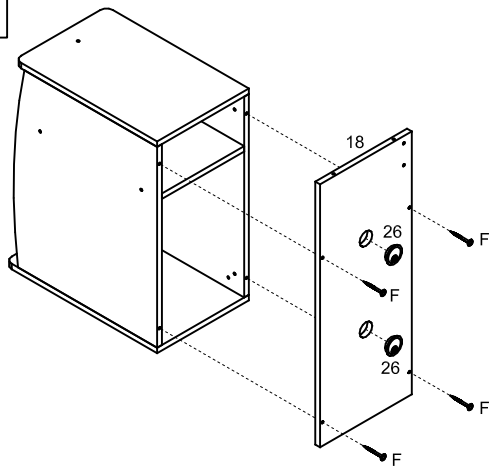
A	X4
B	X4

12



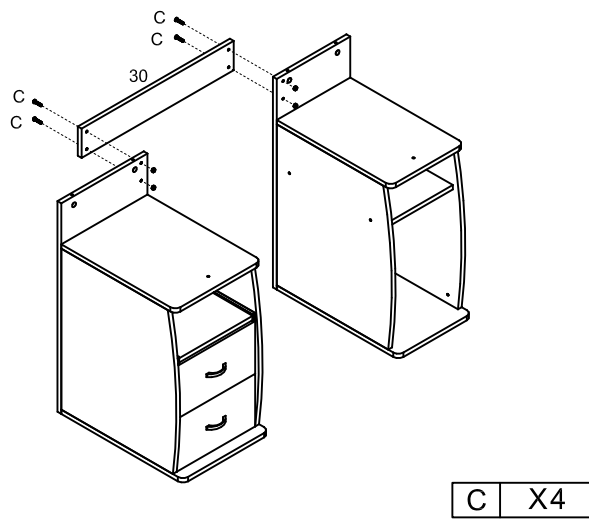
F	X4
G	X4

13



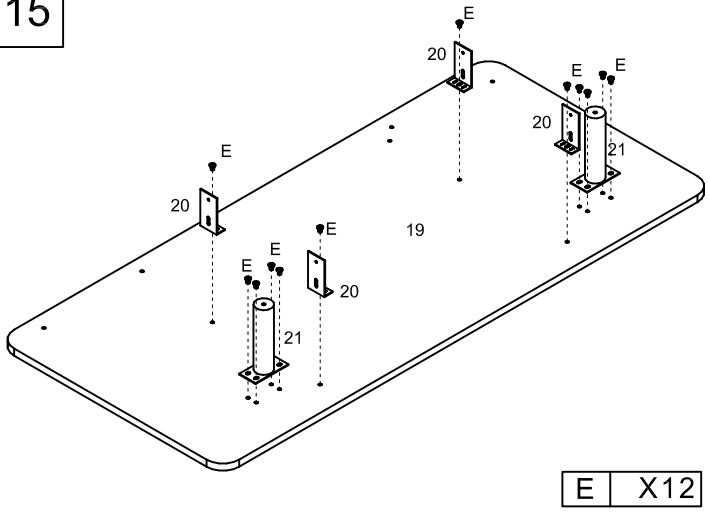
F	X4
---	----

14



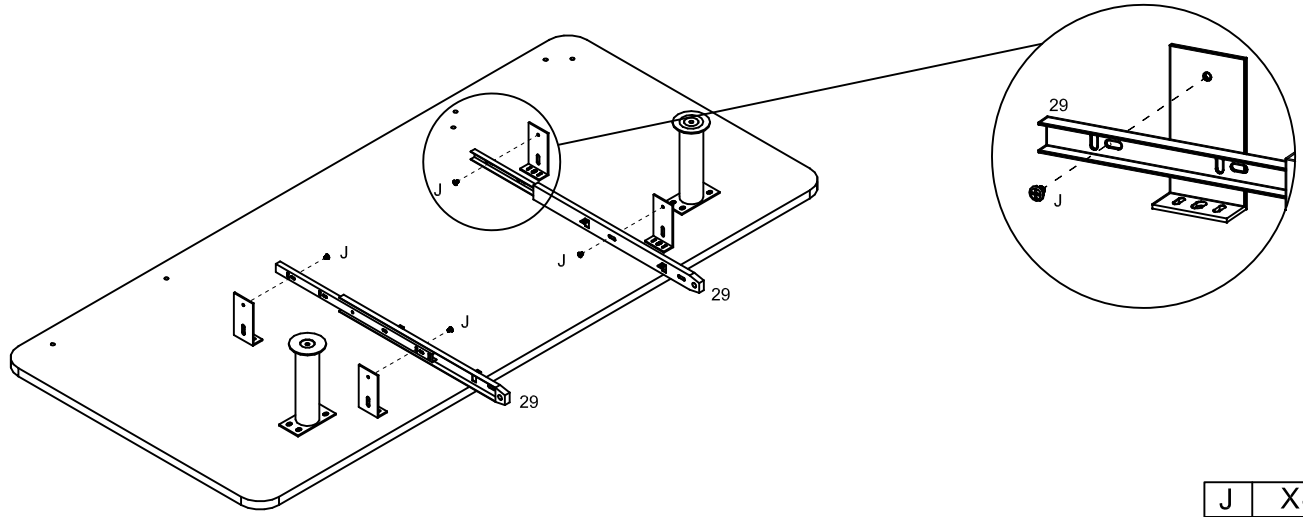
C	X4
---	----

15



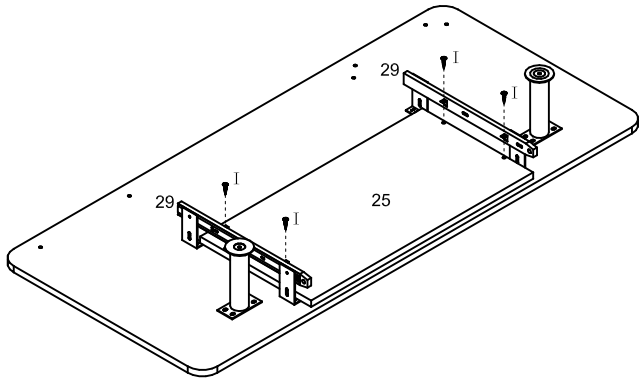
E	X12
---	-----

16



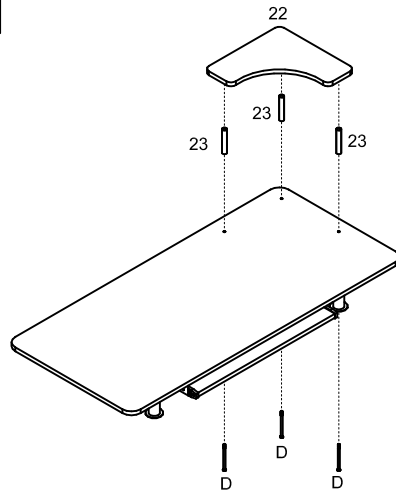
J	X4
---	----

17



I X4

18



D X4

19

