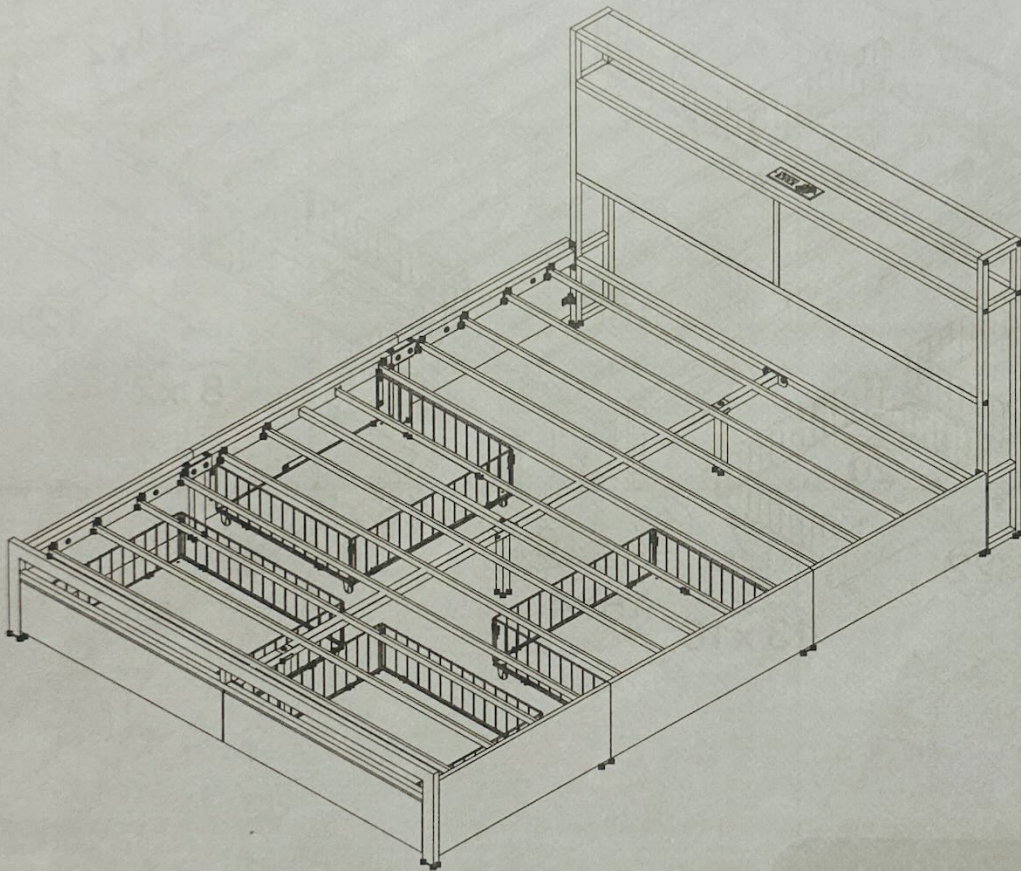


HAUSOURCE

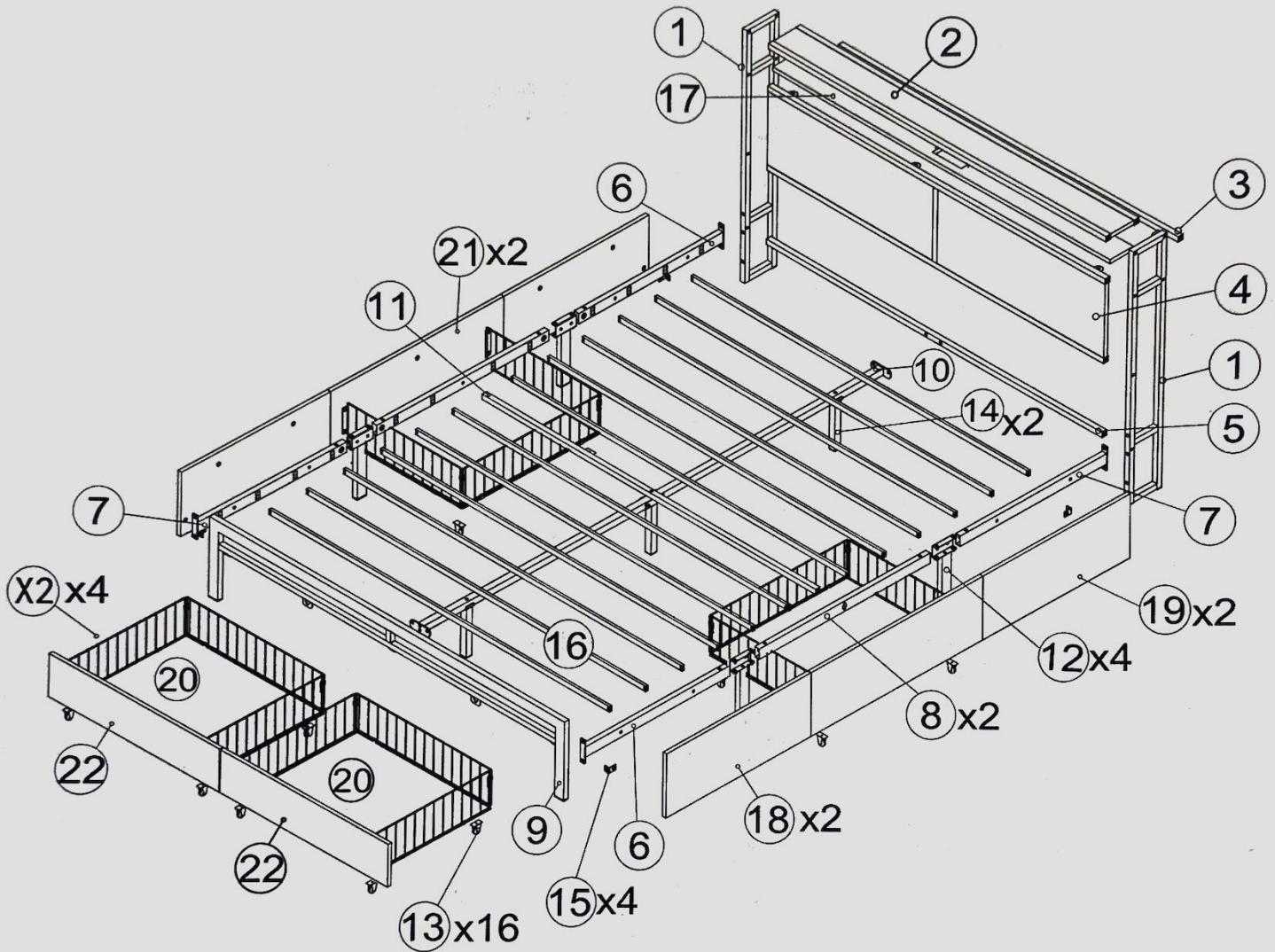
Funny Source in the House

BED FRAME



Thank you for choosing our products, please assemble and use it following the instructions.

Exploded Drawing

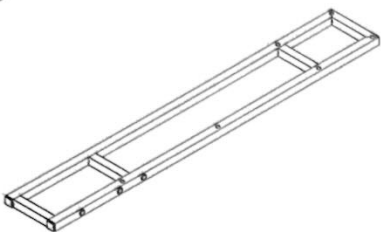
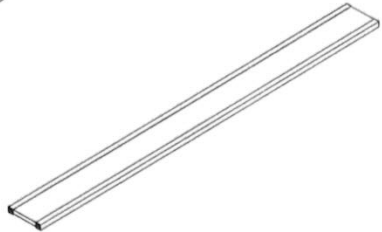
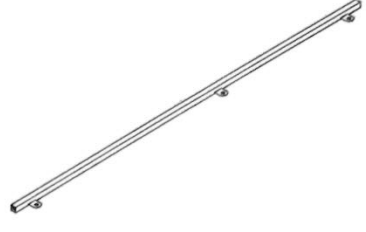
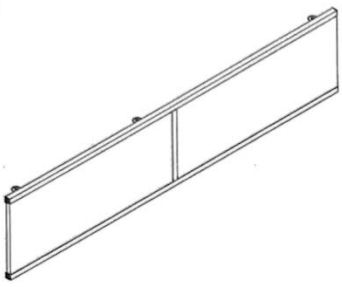
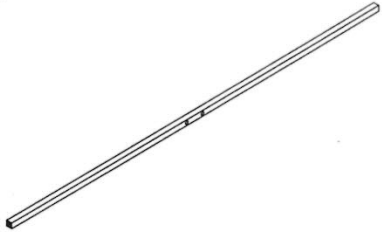
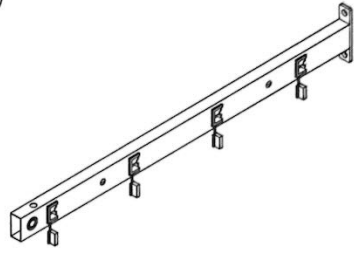
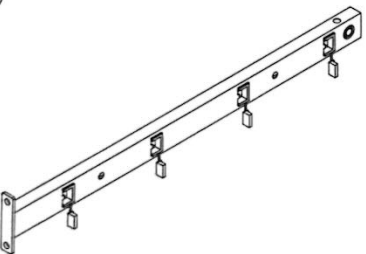
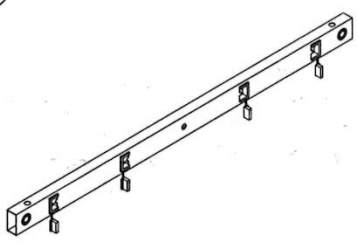
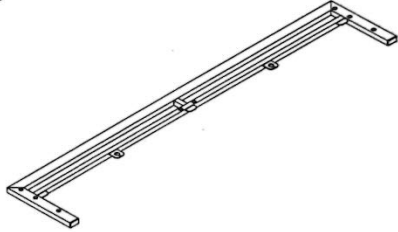
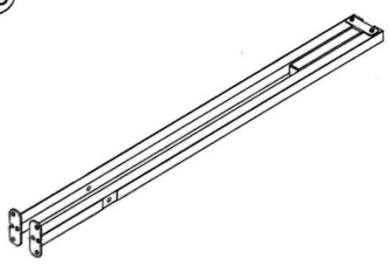
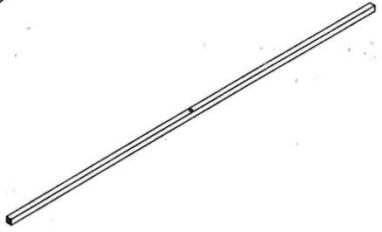
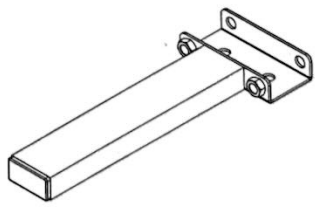

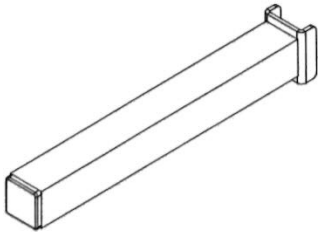
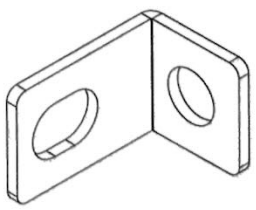


Important Note


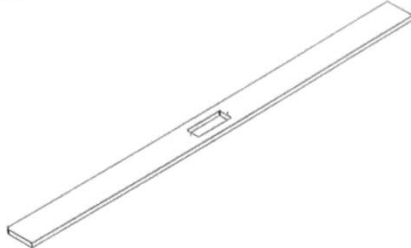
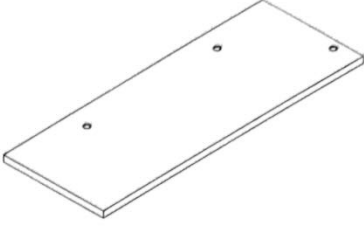
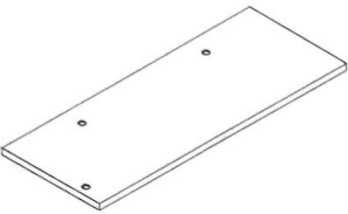
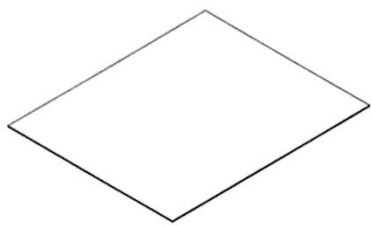
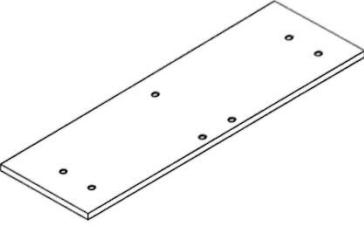
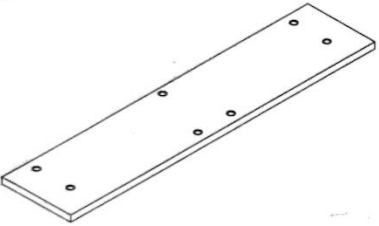
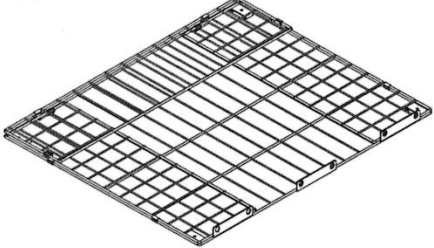
HARDWARE NOTE:










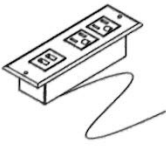
1. Two or more people are required for assembly
2. Do not screw on the bolts too tight unless the installation is done. Make sure all bolts are tightly screwed before you use it.

Parts

<p>①</p>  <p>2 PCS</p>	<p>②</p> 	<p>③</p> 
<p>④</p> 	<p>⑤</p> 	<p>⑥</p>  <p>2 PCS</p>
<p>⑦</p>  <p>2 PCS</p>	<p>⑧</p>  <p>2 PCS</p>	<p>⑨</p> 
<p>⑩</p> 	<p>⑪</p> 	<p>⑫</p>  <p>4 PCS</p>
<p>⑬</p>  <p>16 PCS</p>	<p>⑭</p>  <p>2 PCS</p>	<p>⑮</p>  <p>4 PCS</p>

Parts

<p>①⑥</p>  <p>12 PCS</p>	<p>①⑦</p> 	<p>①⑧</p>  <p>2 PCS</p>
<p>①⑨</p>  <p>2 PCS</p>	<p>①⑩</p>  <p>4 PCS</p>	<p>①⑪</p>  <p>2 PCS</p>
<p>①⑫</p>  <p>2 PCS</p>	<p>①⑬</p>  <p>4 PCS</p>	

<p>A M8x14</p>  <p>60 PCS</p>	<p>B M8x14 (Color Zinc)</p>  <p>4 PCS</p>	<p>C M8x30</p>  <p>8 PCS</p>	<p>D M8x40</p>  <p>14 PCS</p>	<p>E M8x55</p>  <p>9 PCS</p>	<p>F M4x10</p>  <p>16 PCS</p>	<p>G 2.5x2.5</p> 
<p>H 5x5</p> 	<p>I ST4.2x10</p>  <p>2 PCS</p>	<p>J</p> 				

Please feel free to contact us for free replacement if there is any problems with the light.

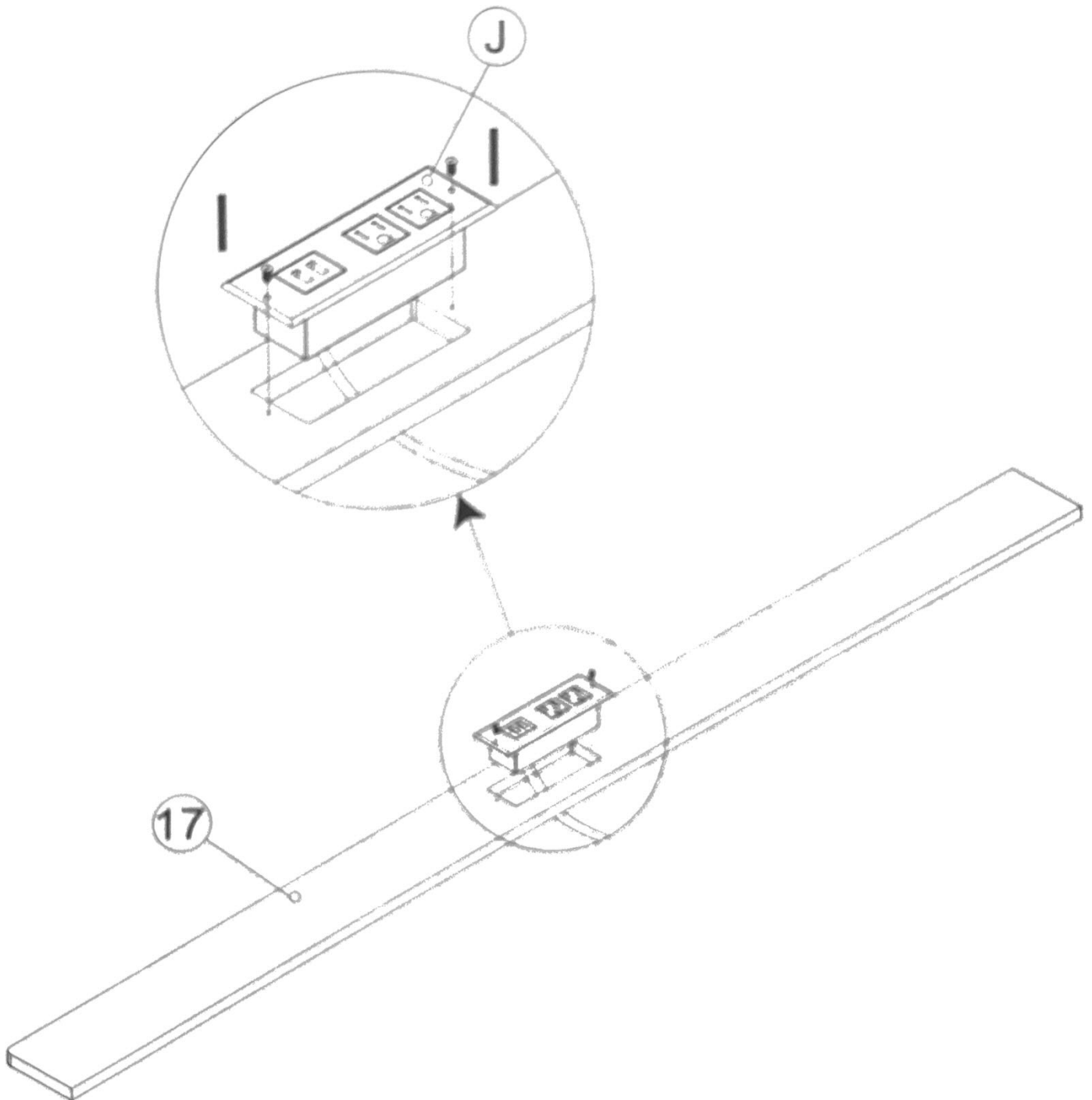
Assembly Instructions

1

I ST4.2x10



2 PCS



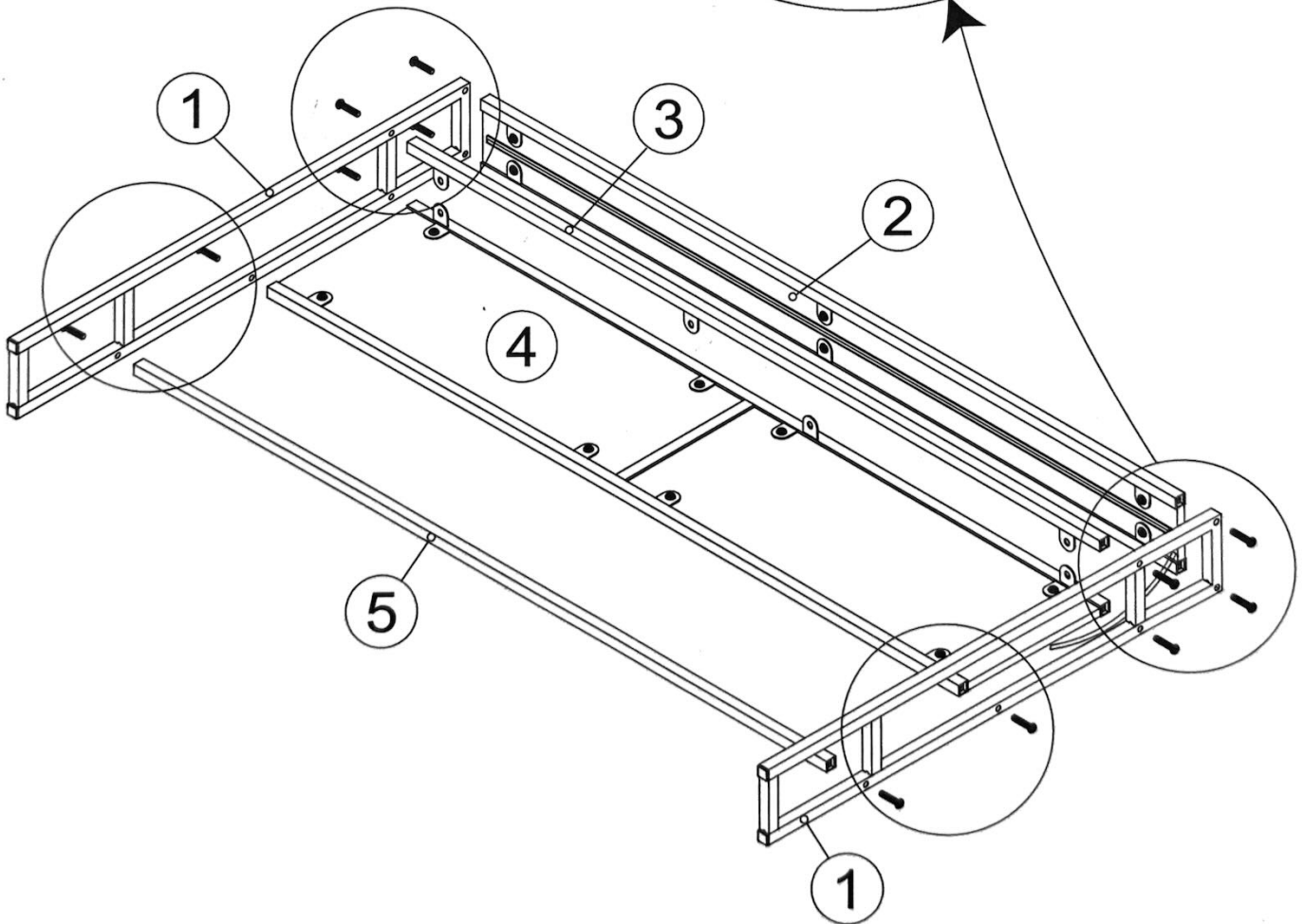
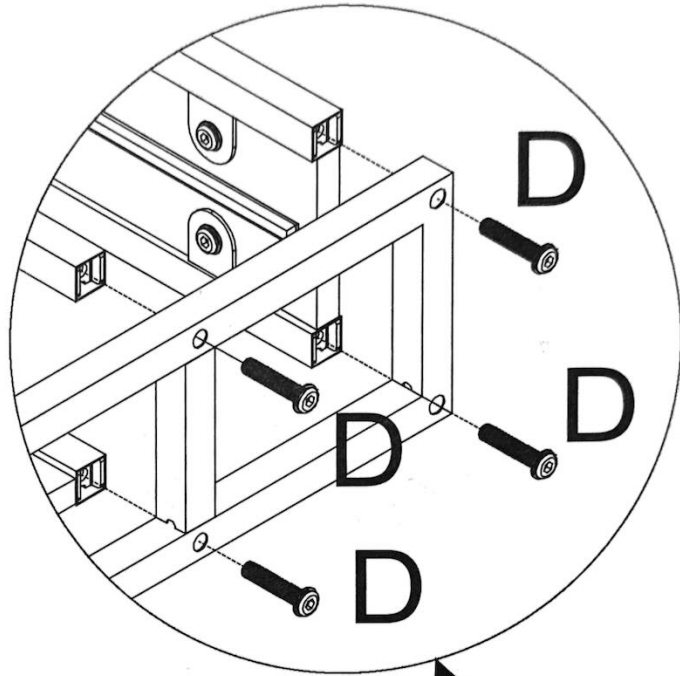
Assembly Instructions

2

D M8x40



12 PCS



Assembly Instructions

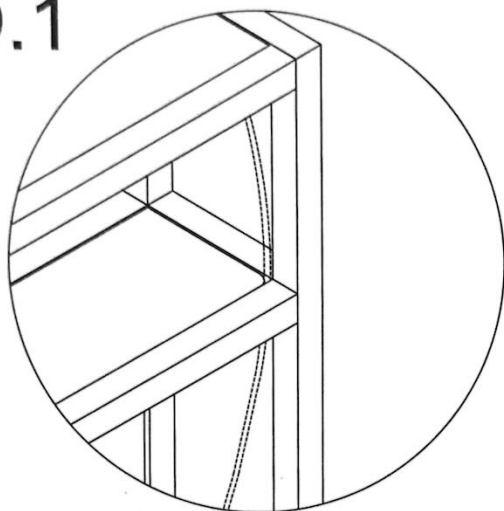
3

A M8x14

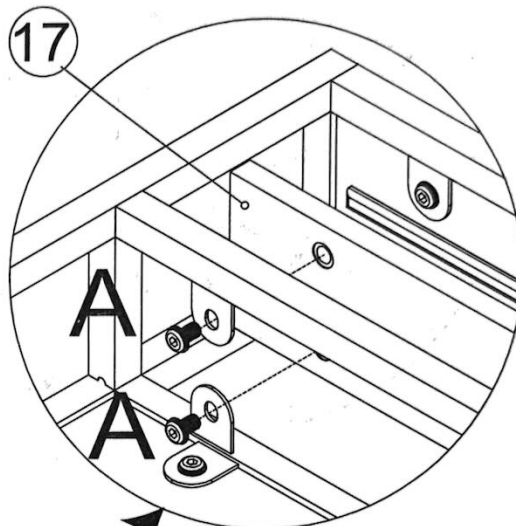


6 PCS

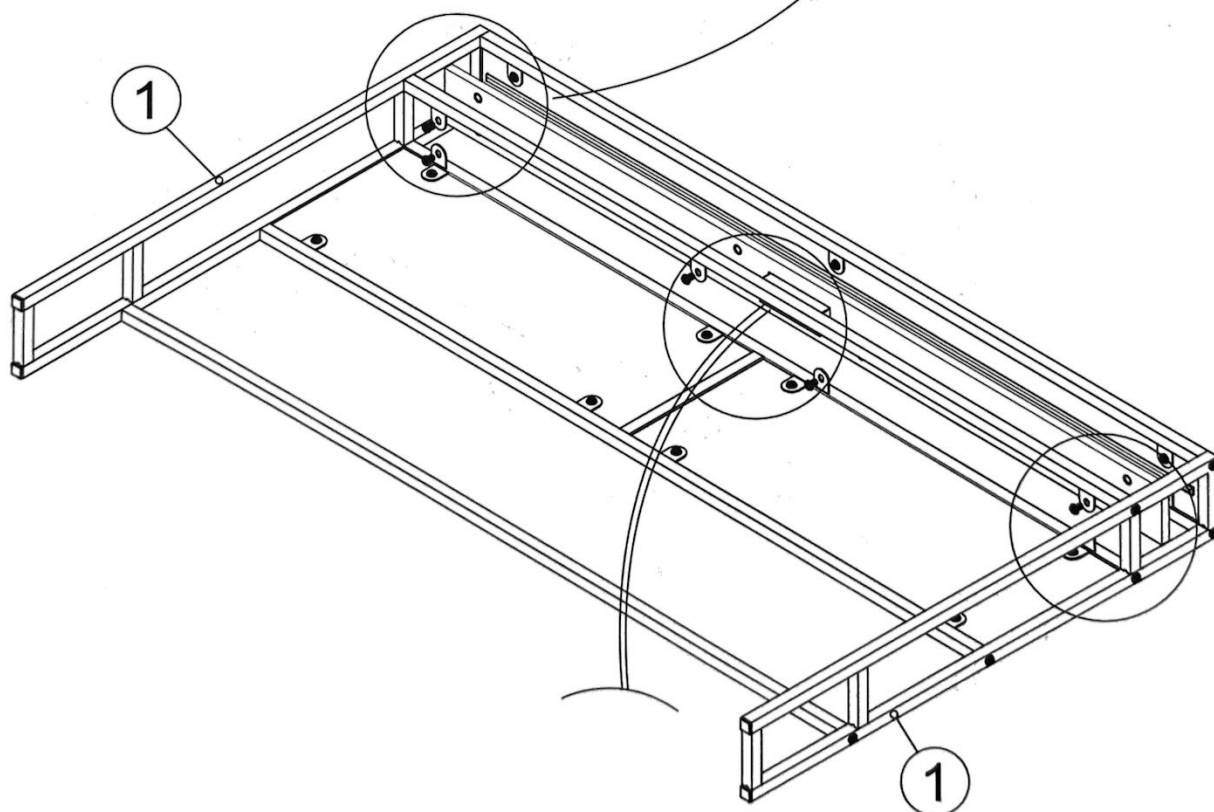
NO.1



NO.2



Special attention should be paid to the LED light outlet at the rounded corner of the laminate.



Assembly Instructions

4

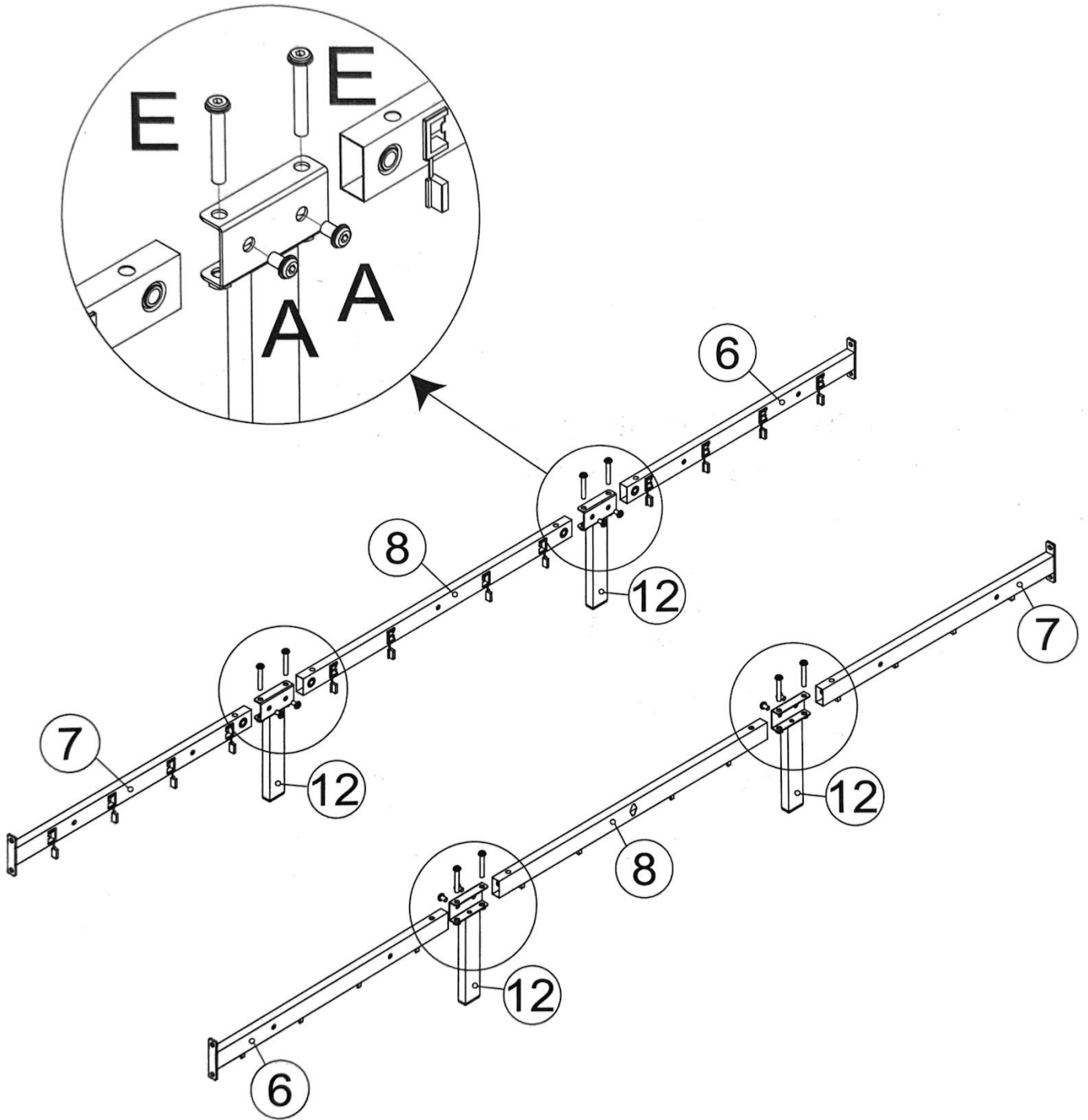
A M8x14

E M8x55



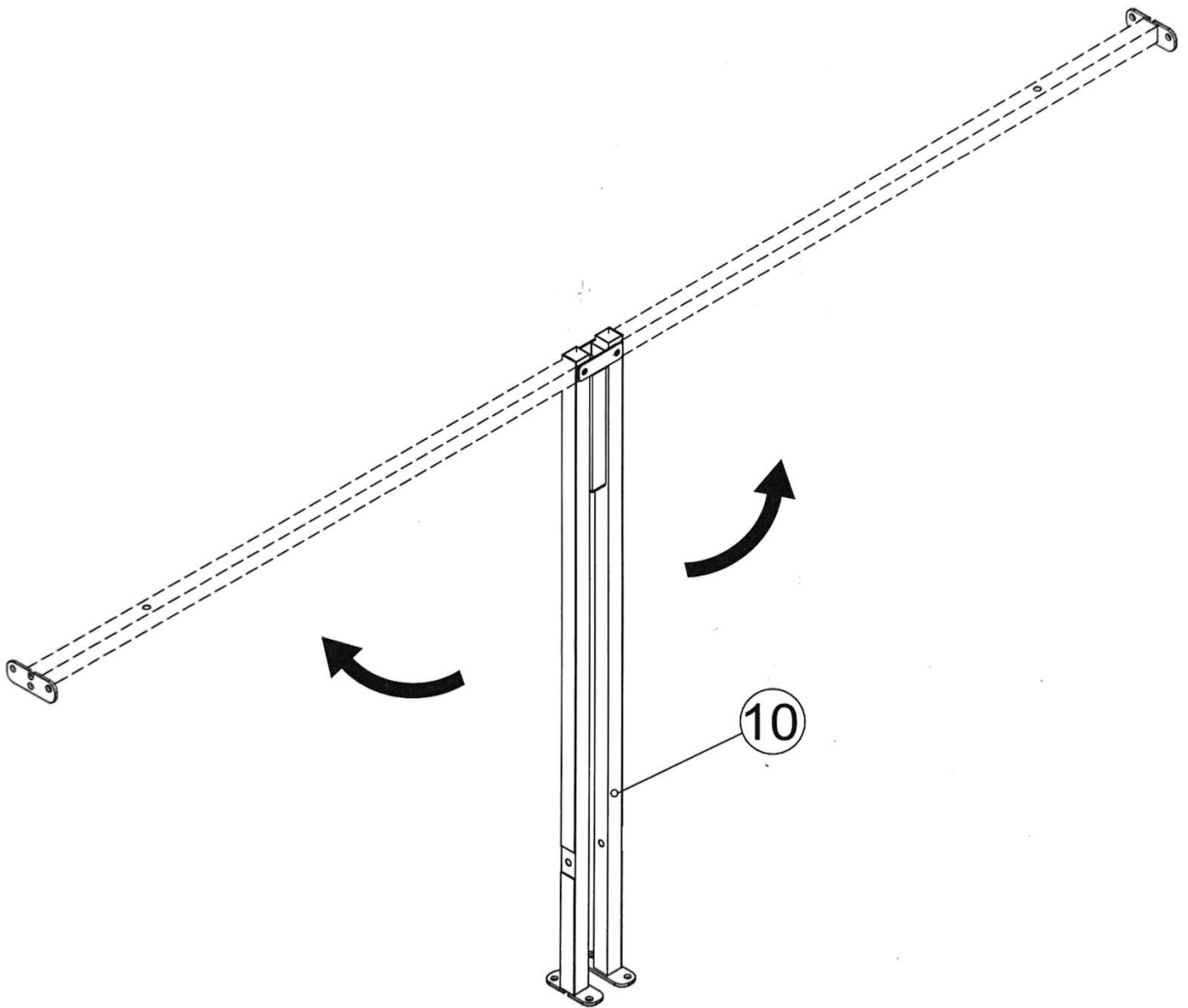
8 PCS

8 PCS



5

WARNING!
Moving parts can crush or cut.
Keep fingers, hands, and feet away to avoid injury.



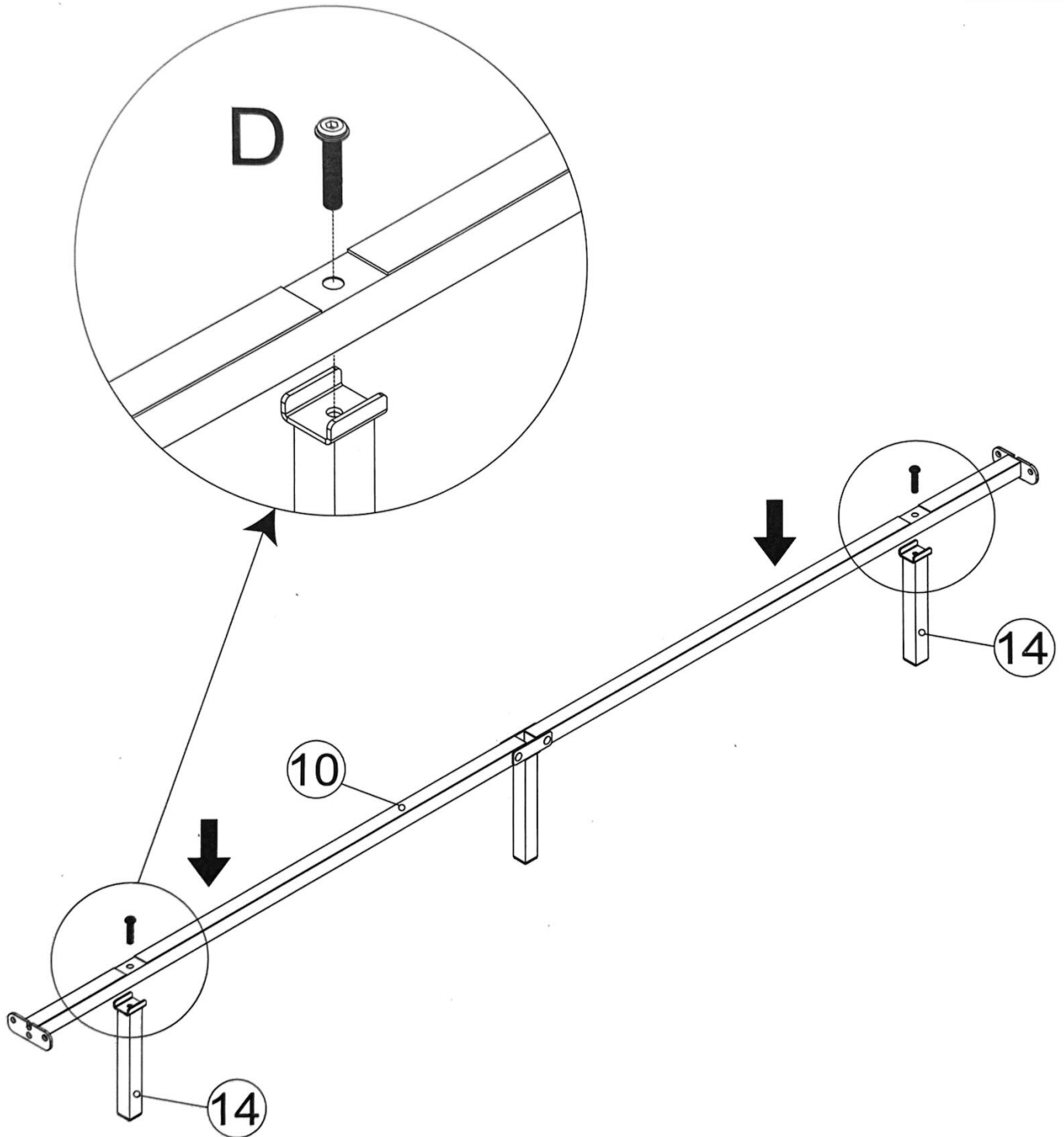
Assembly Instructions

6

D M8x40



2 PCS



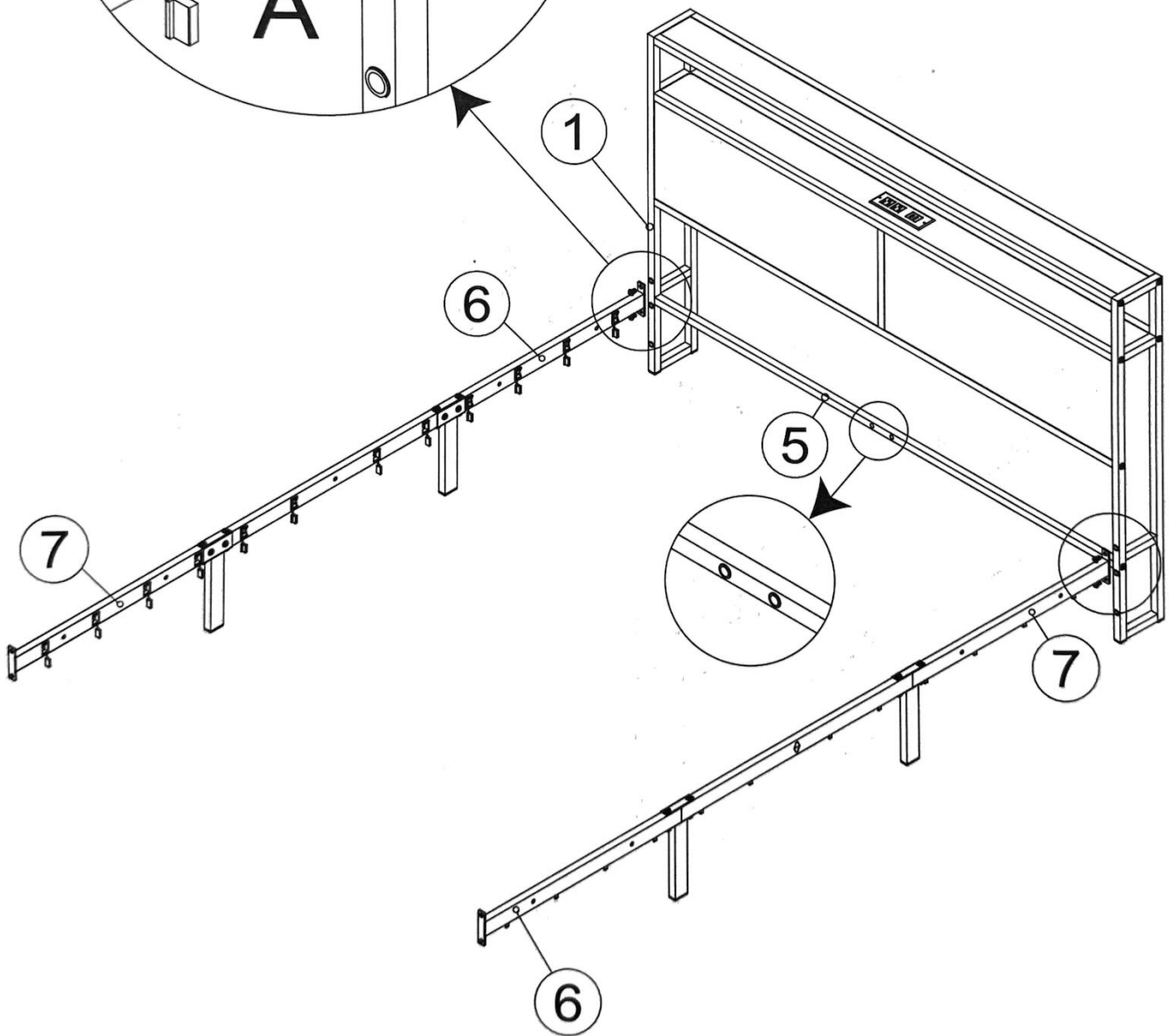
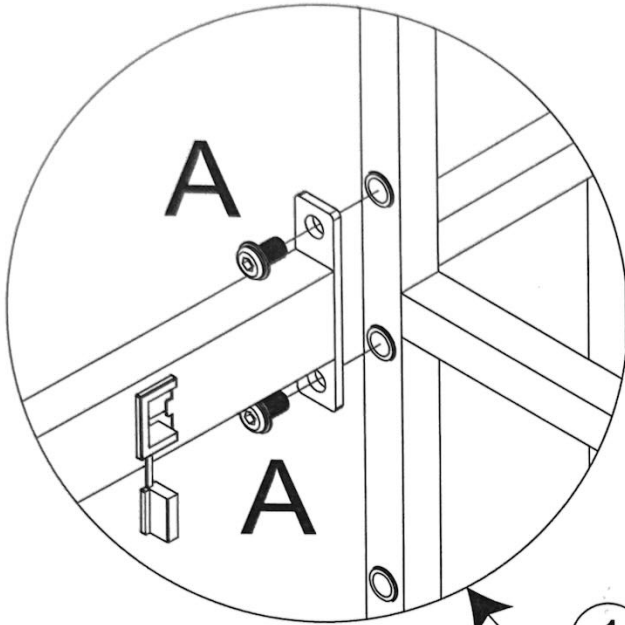
Assembly Instructions

7

A M8x14



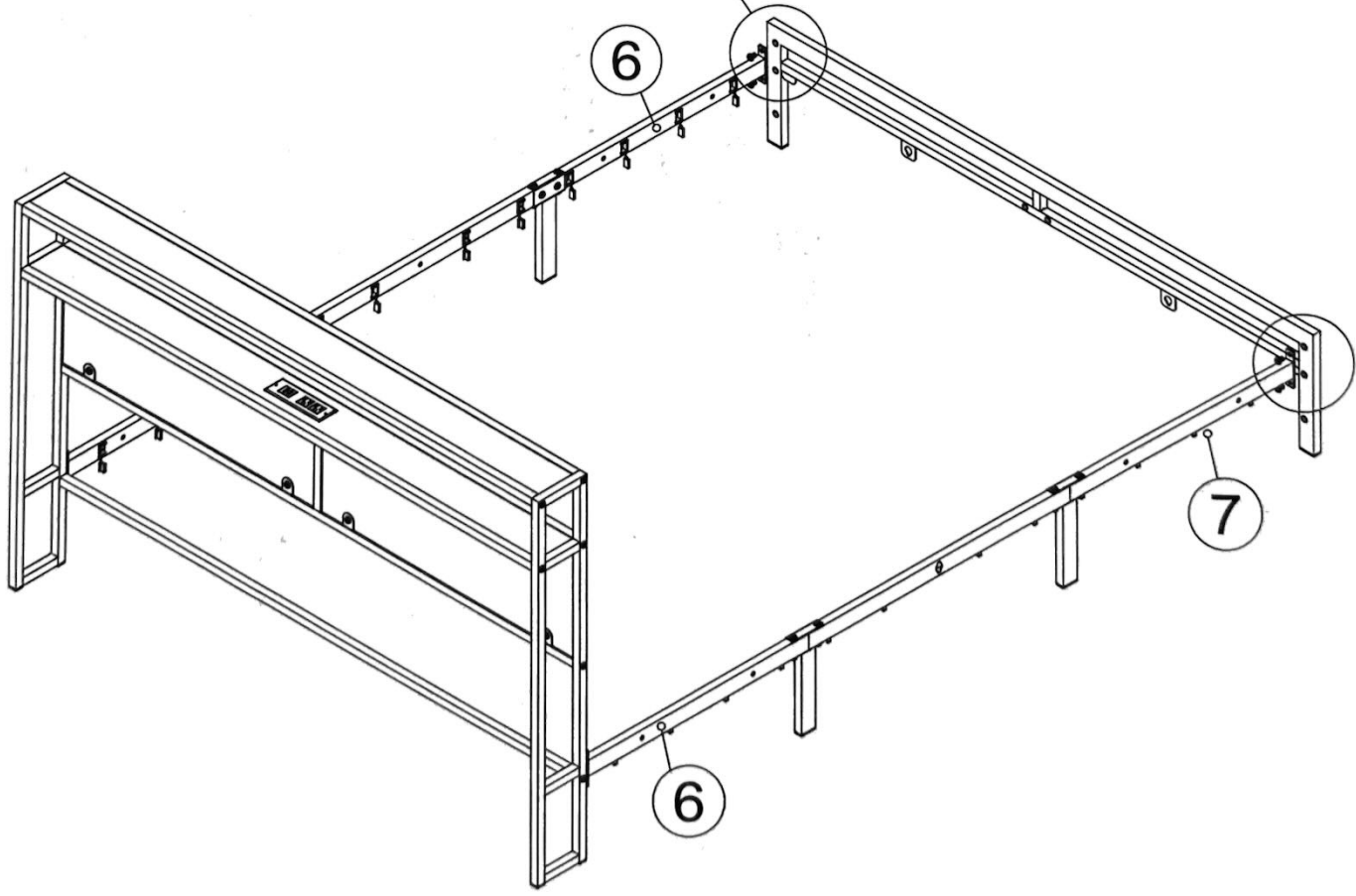
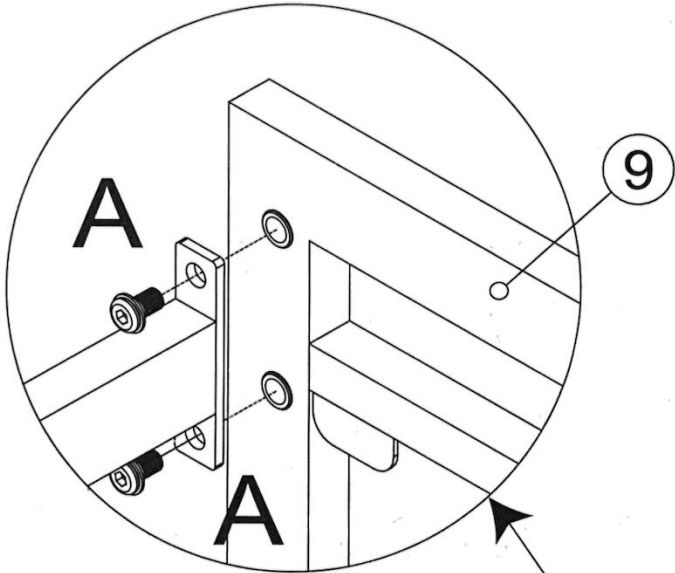
4 PCS



Assembly Instructions

8

A M8x14
4 PCS



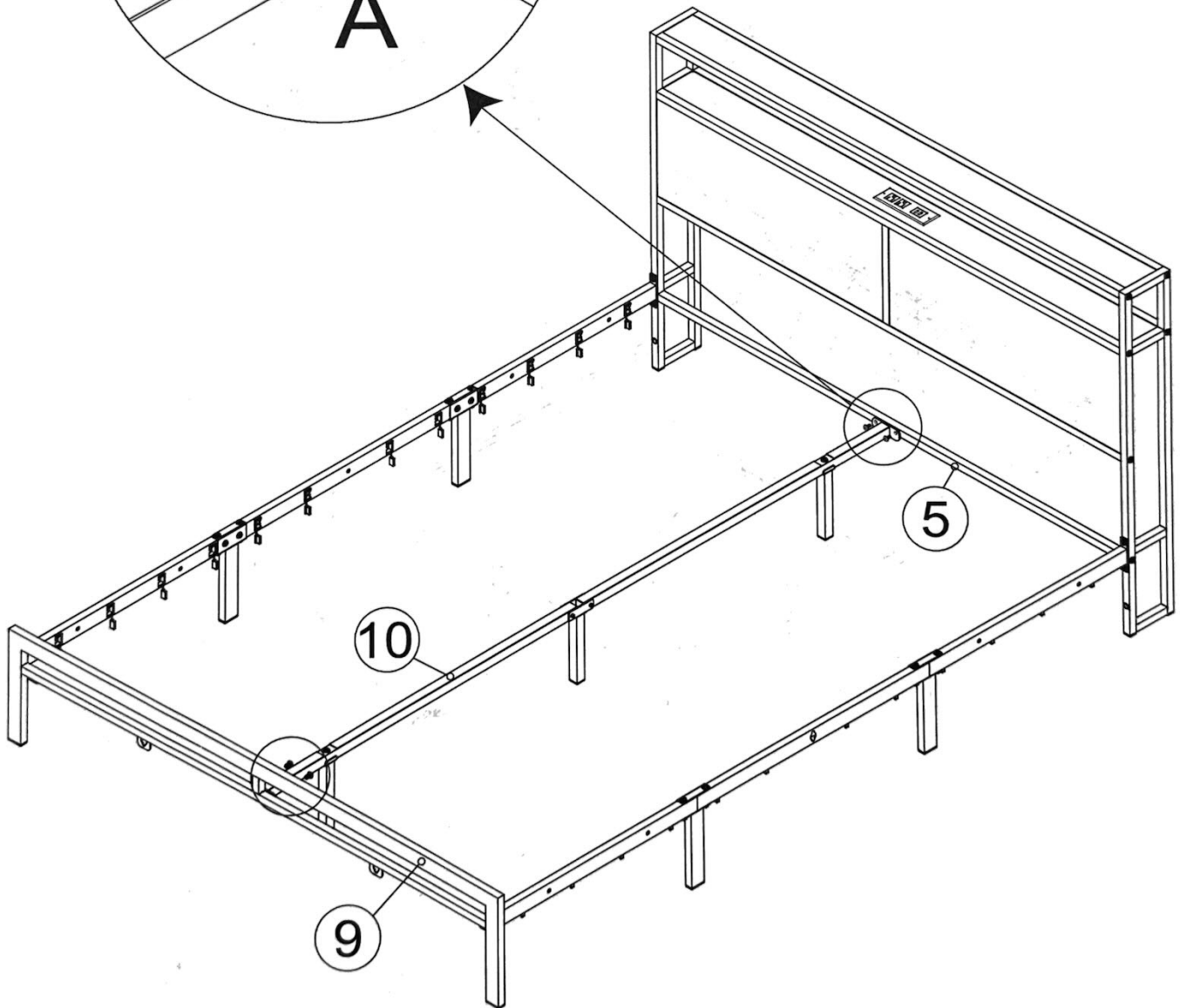
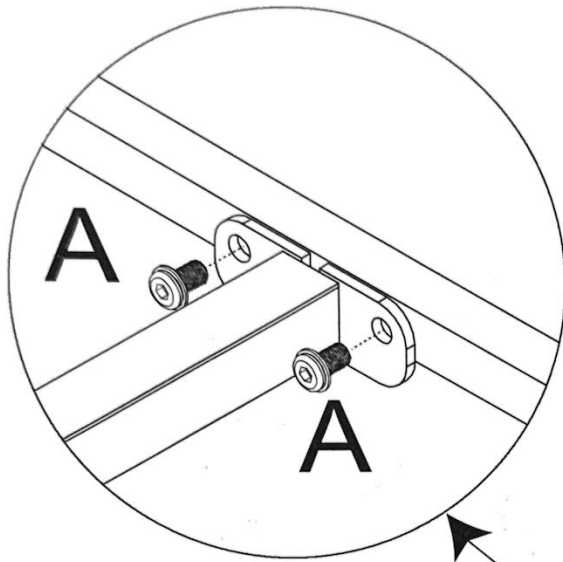
Assembly Instructions

9

A M8x14



4 PCS



Assembly Instructions

10

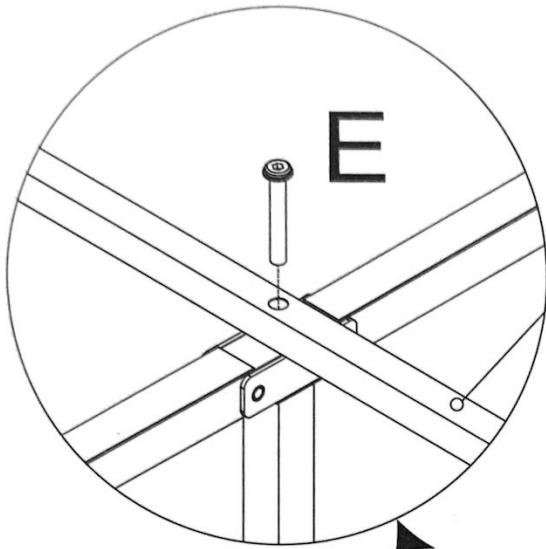
A M8x14

E M8x55

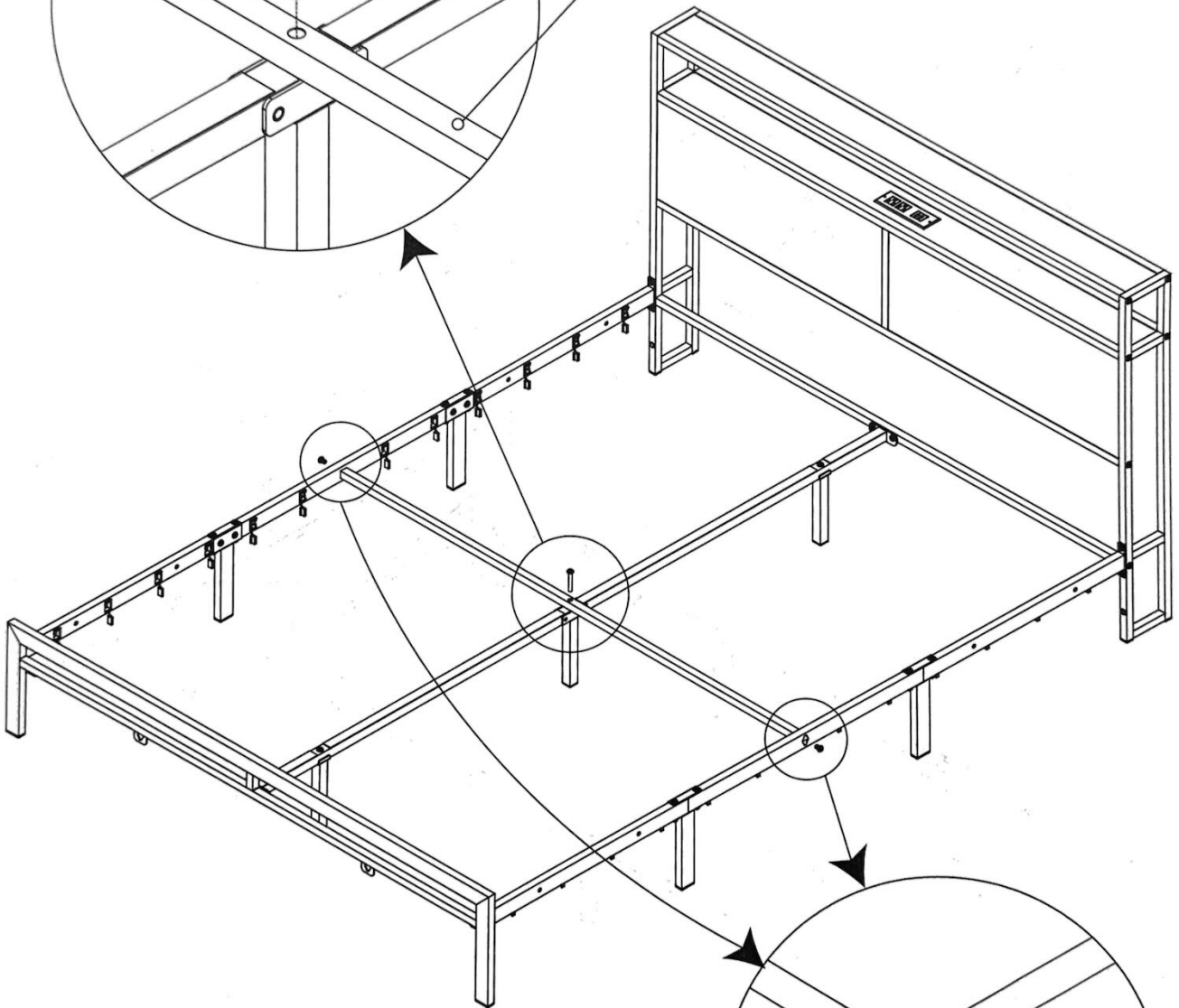


2 PCS

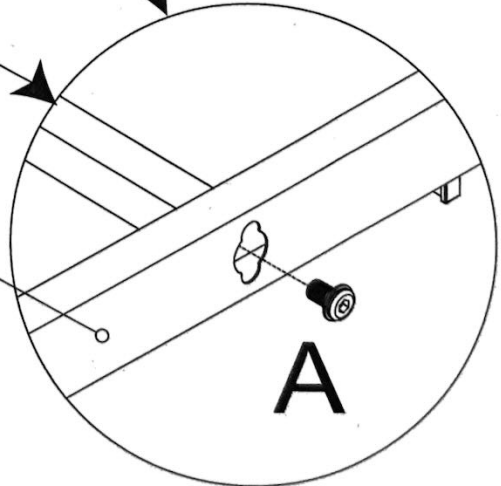
1 PCS



11



8



A

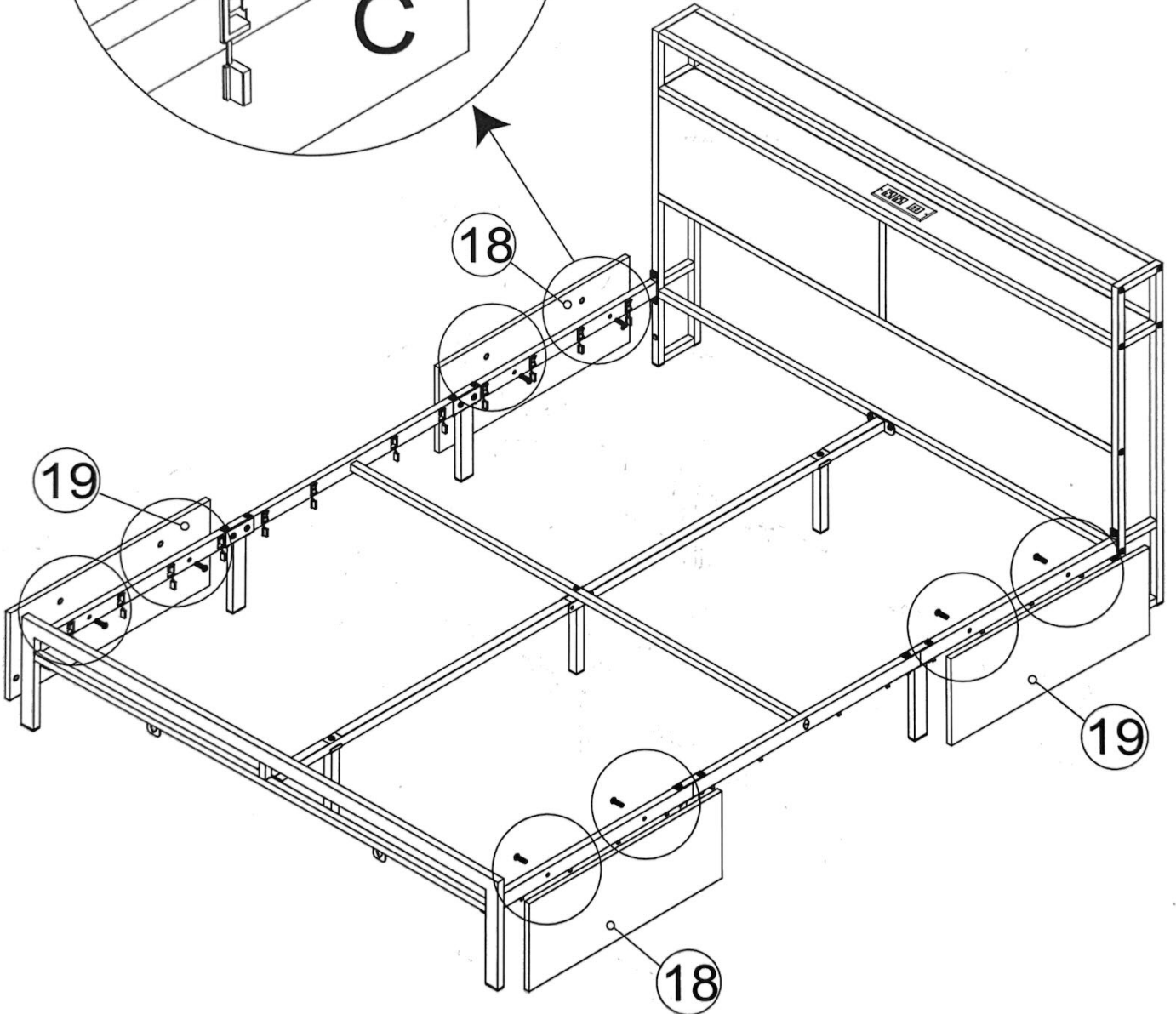
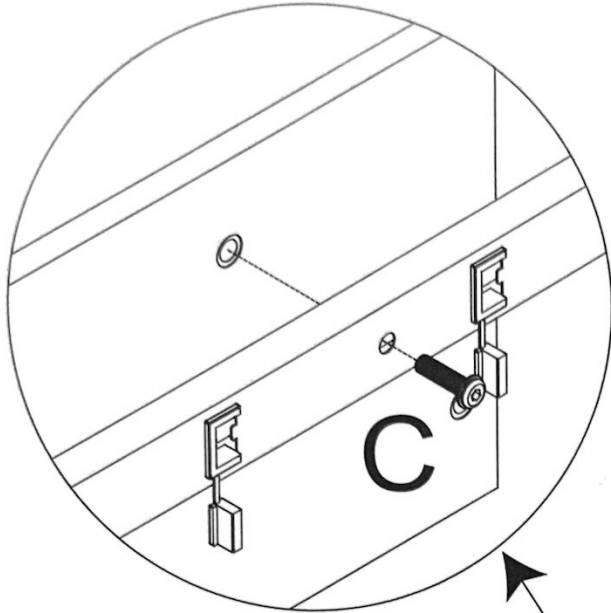
Assembly Instructions

11

C M8x30



8 PCS



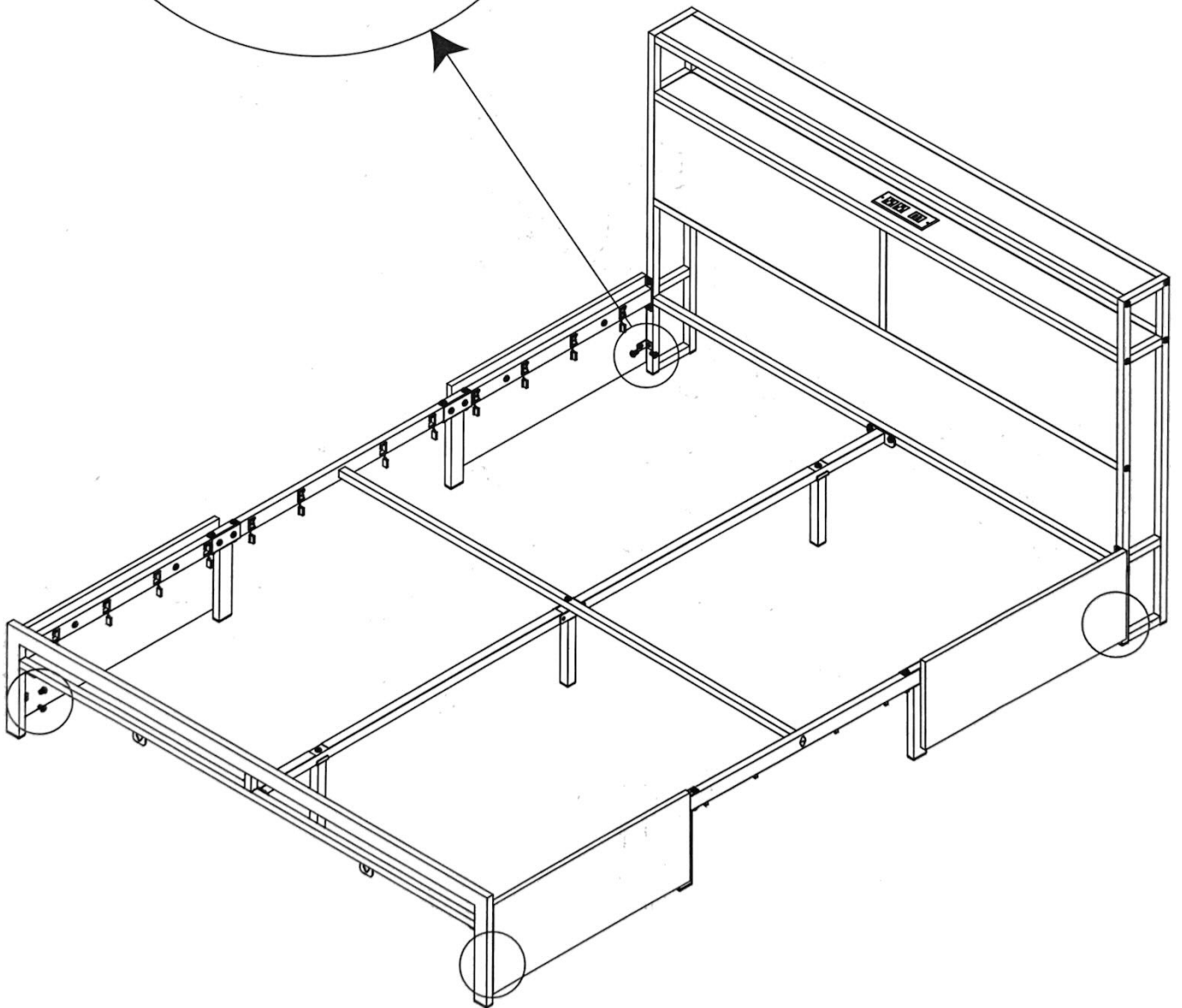
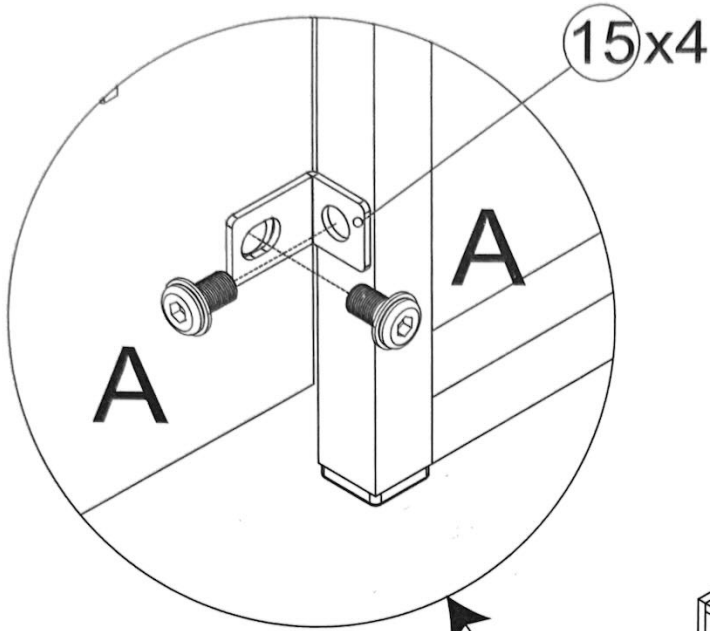
Assembly Instructions

12

A M8x14

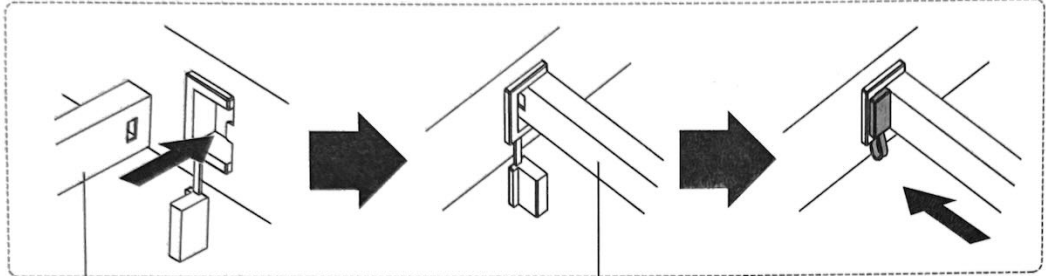


8 PCS



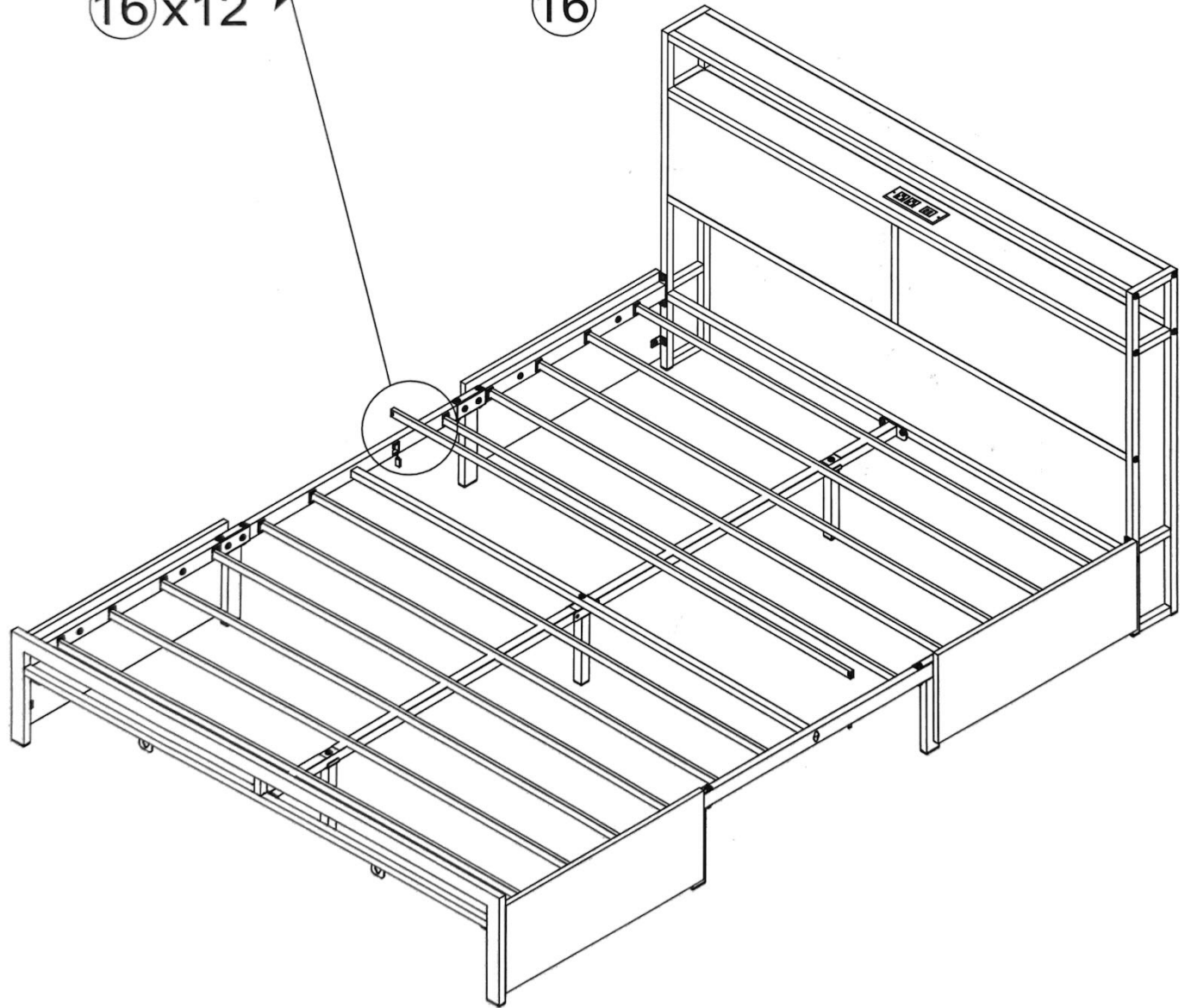
13

NOTE: Please push to the bottom.



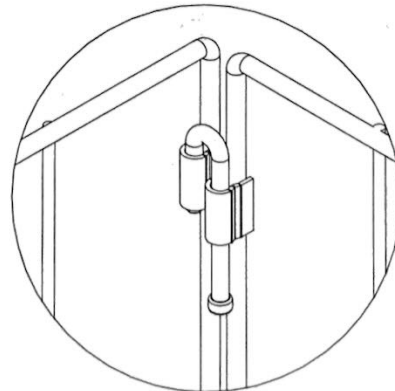
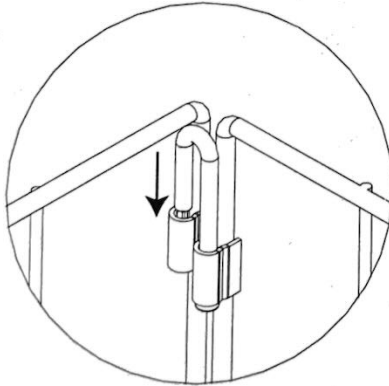
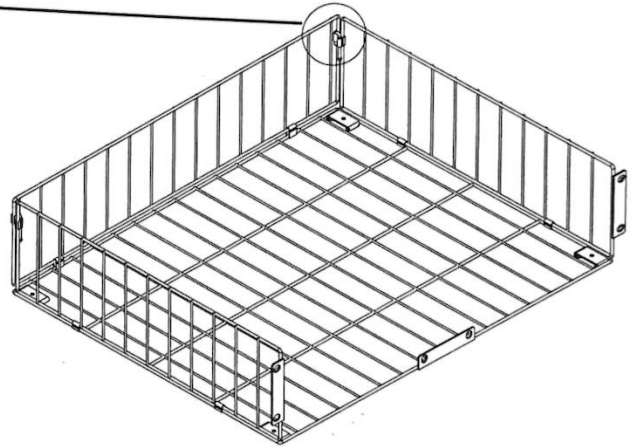
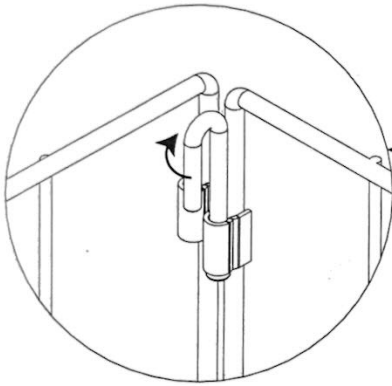
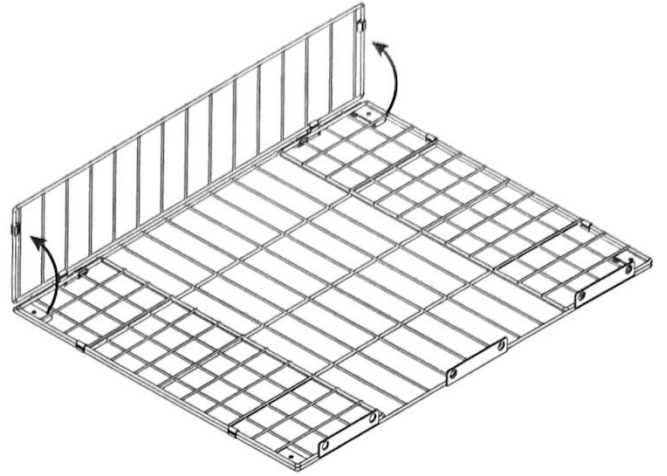
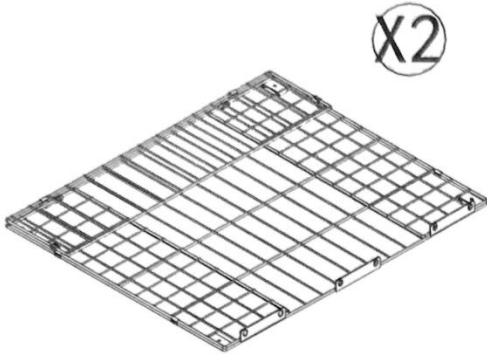
16x12

16



Assembly Instructions

14



x4

Assembly Instructions

15



F M4x10

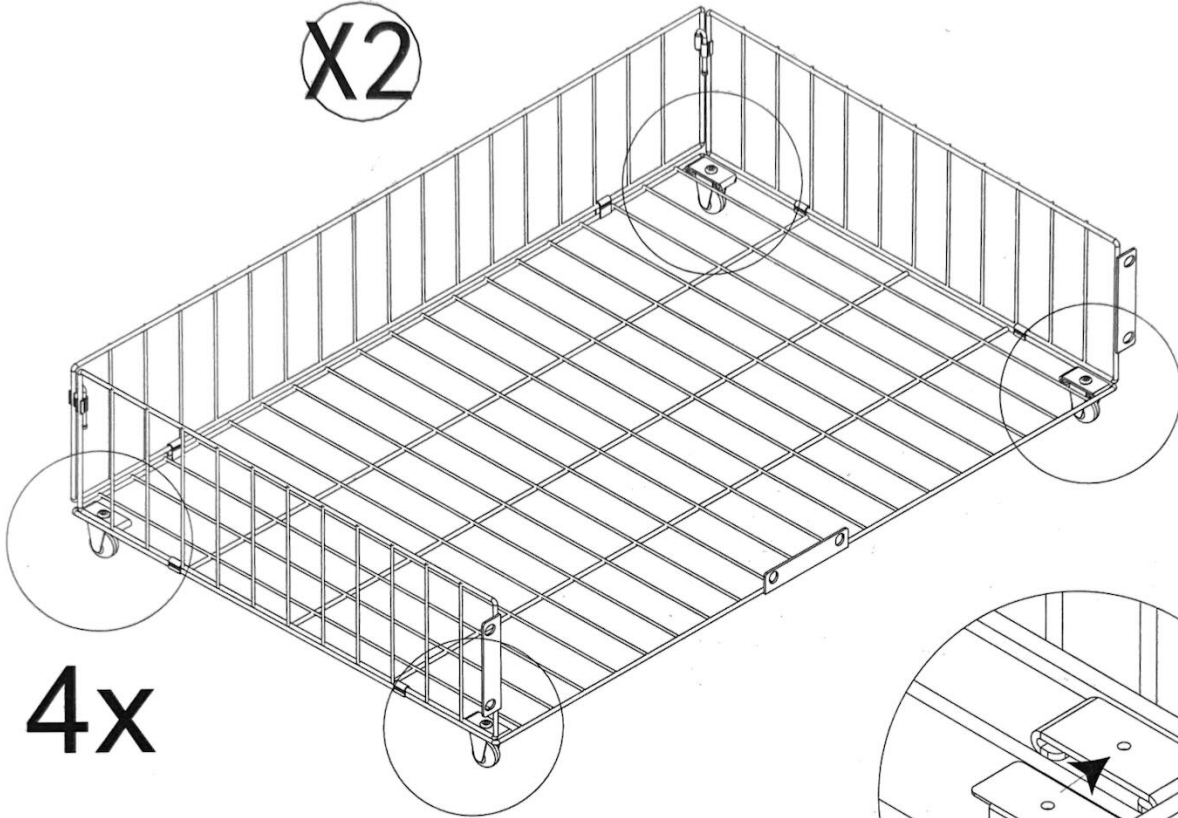
G 2.5x2.5



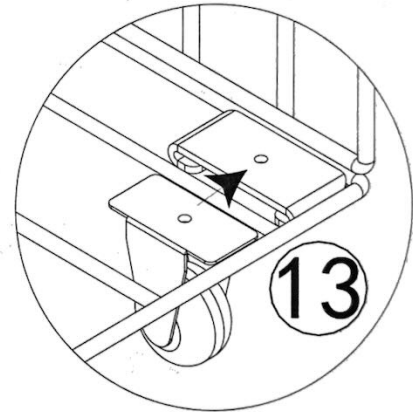
16 PCS

1 PC

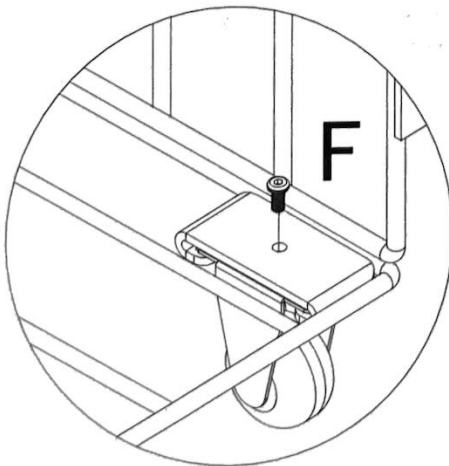
X2



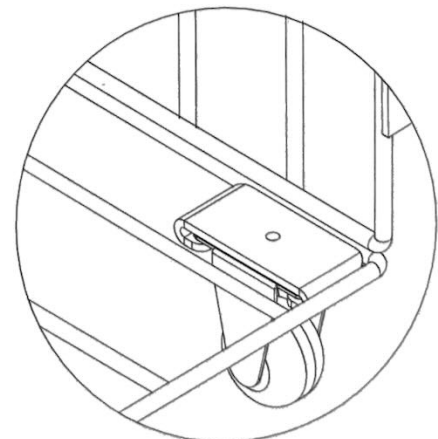
4x



13



F



Assembly Instructions

16

A M8x14

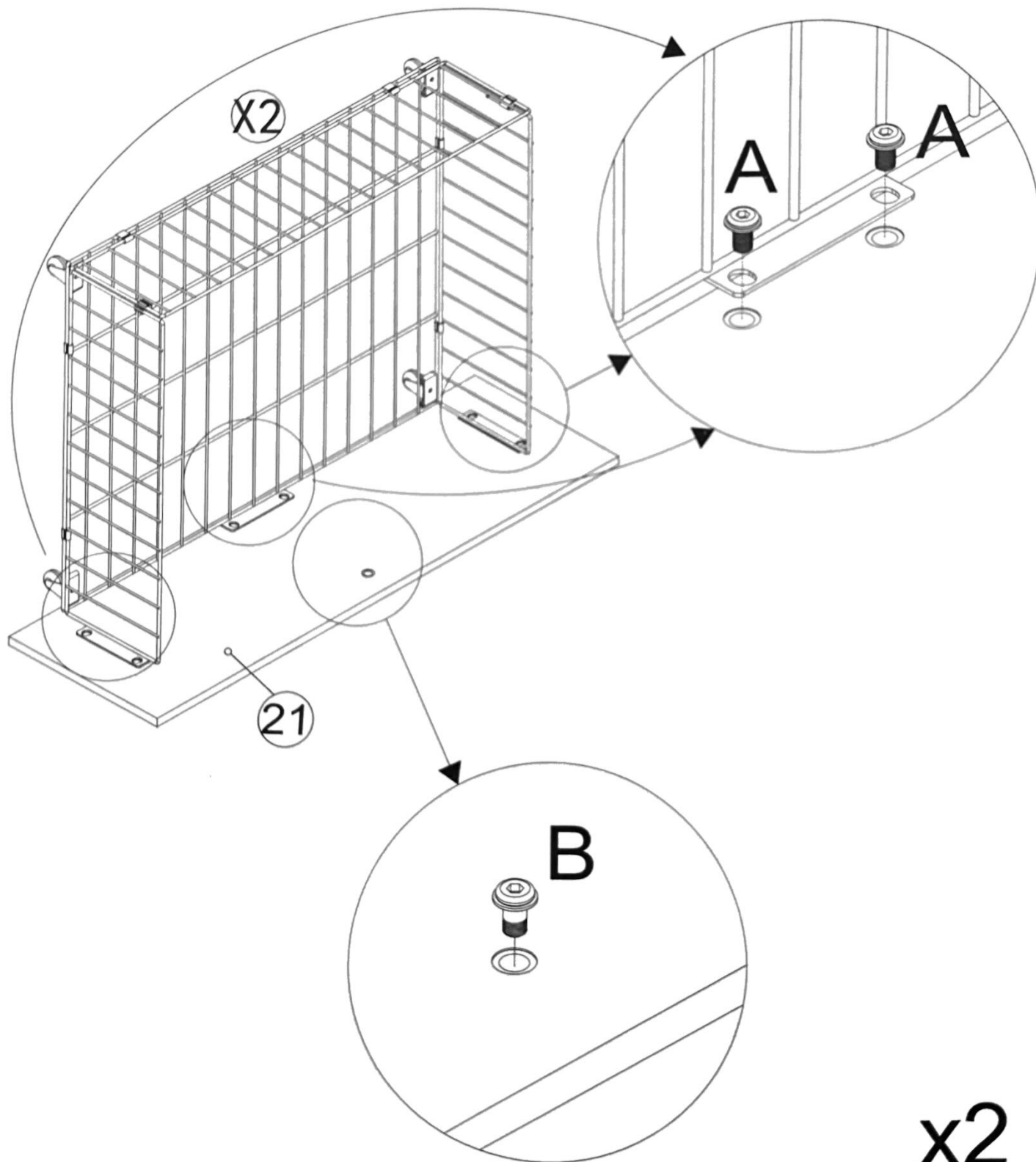


12 PCS

B M8x14
Color zinc screws





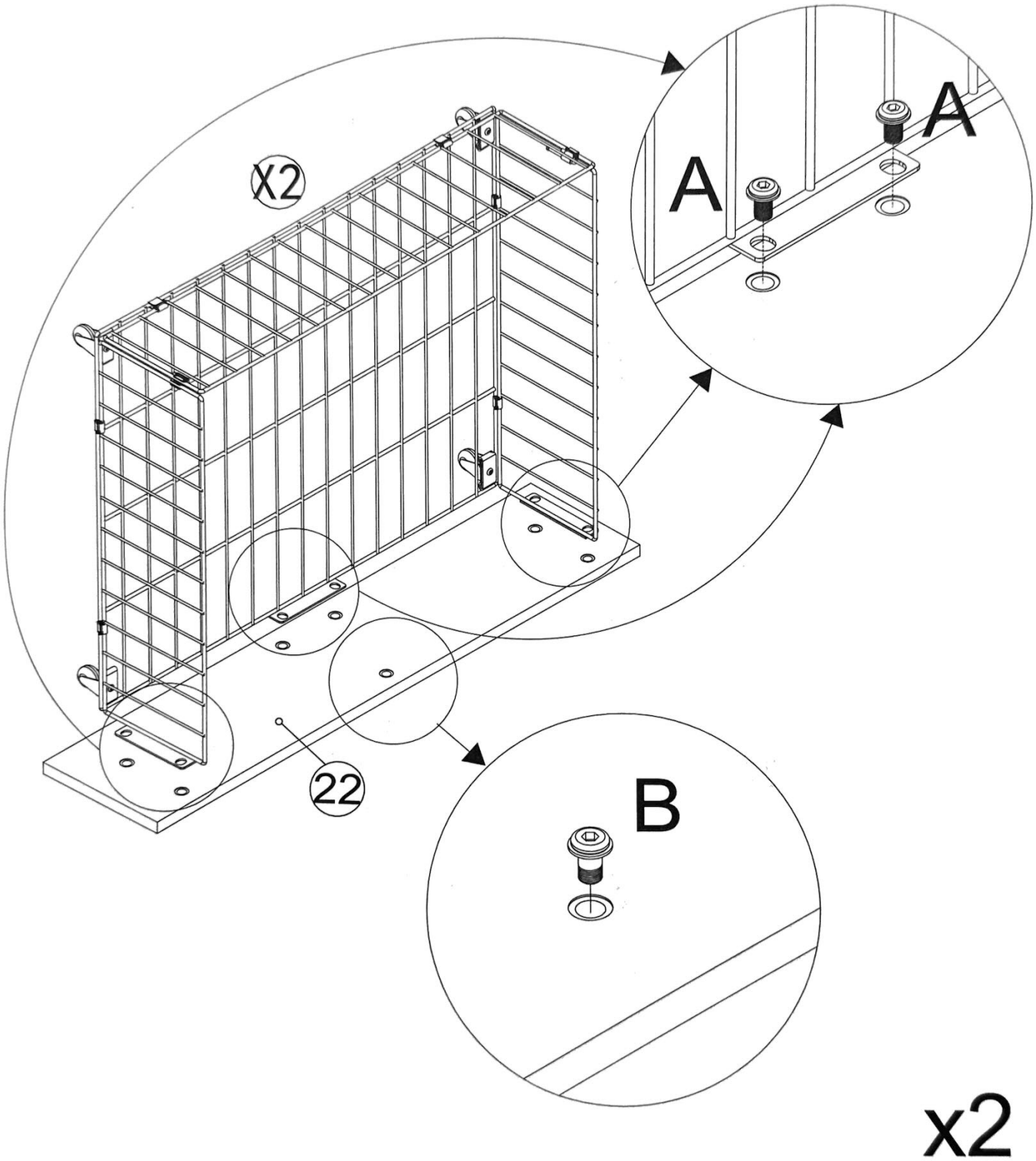
2 PCS



Assembly Instructions

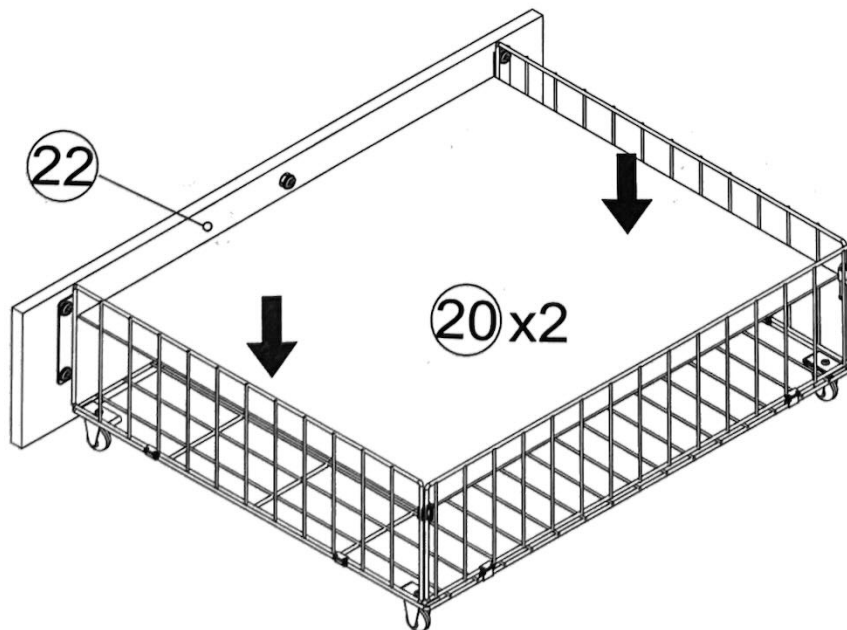
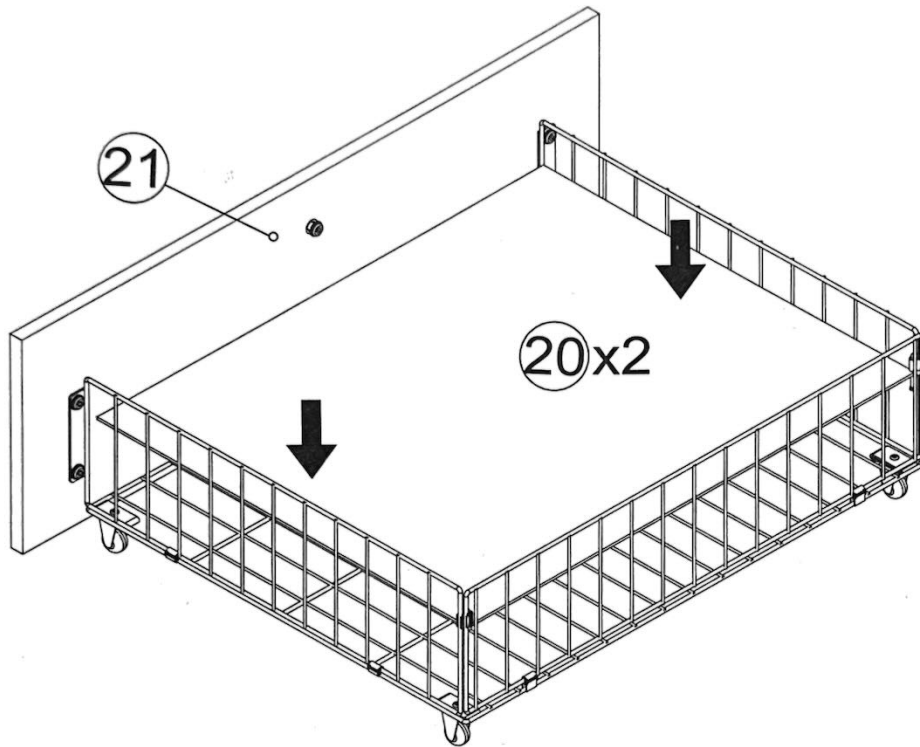
17

A M8x14	B M8x14 Color zinc screws
	
12 PCS	2 PCS



x2

18

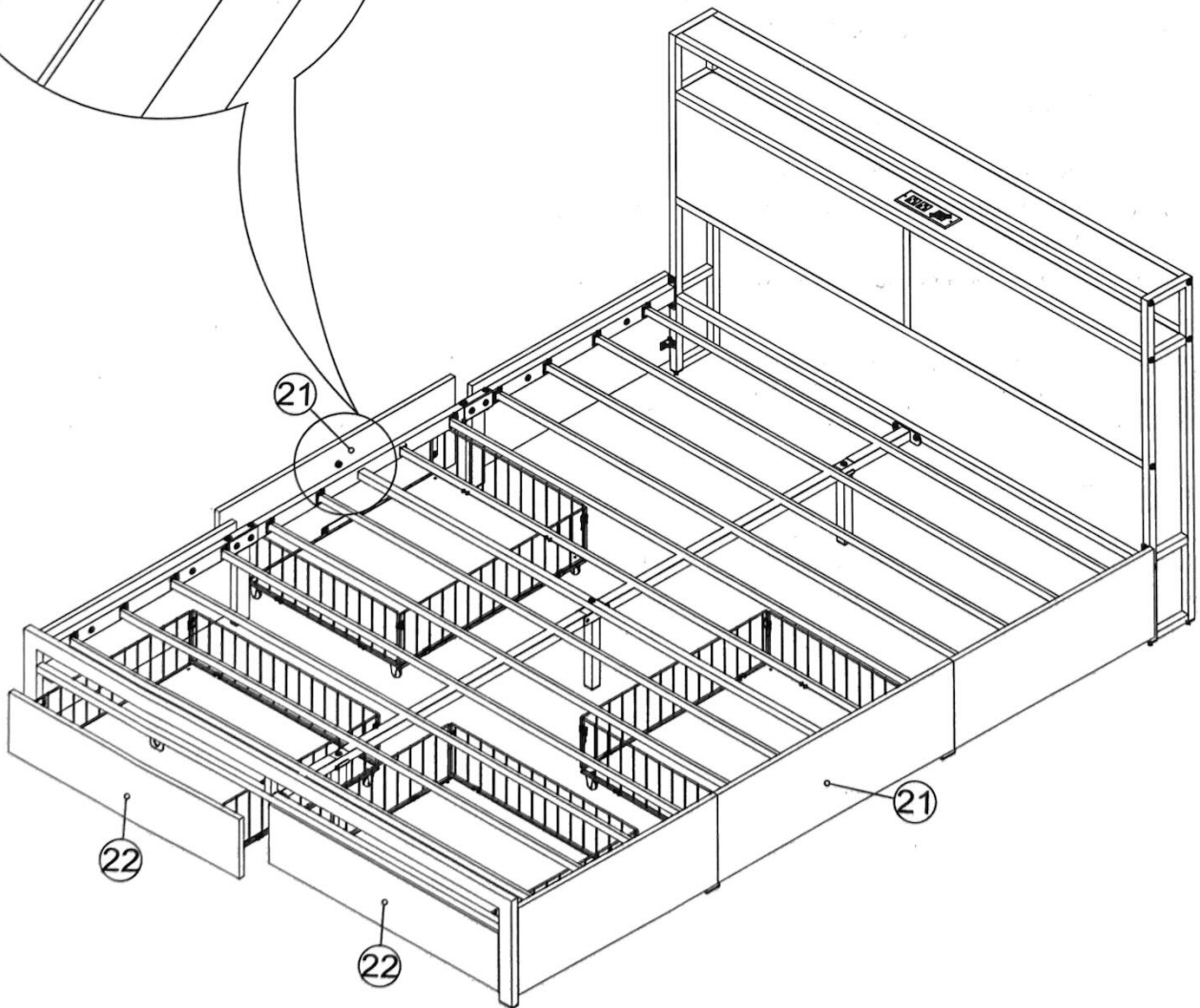
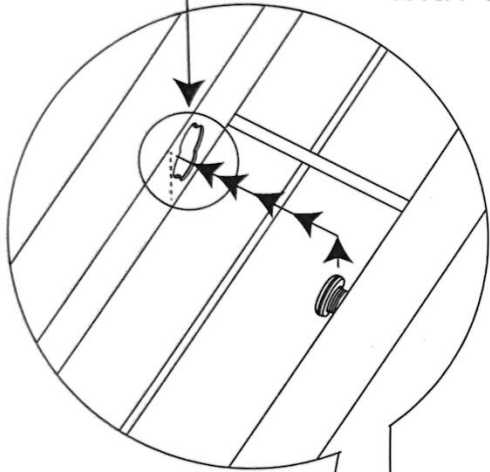


Assembly Instructions

19

gourd hole

Gently lift the drawer, align the screw with the gourd hole, and then snap it in.



HAUSOURCE

Funny Source in the House



amazon

HAUSOURCE



If you have any problem about assembling or products,
please contact us at hausource-service@outlook.com