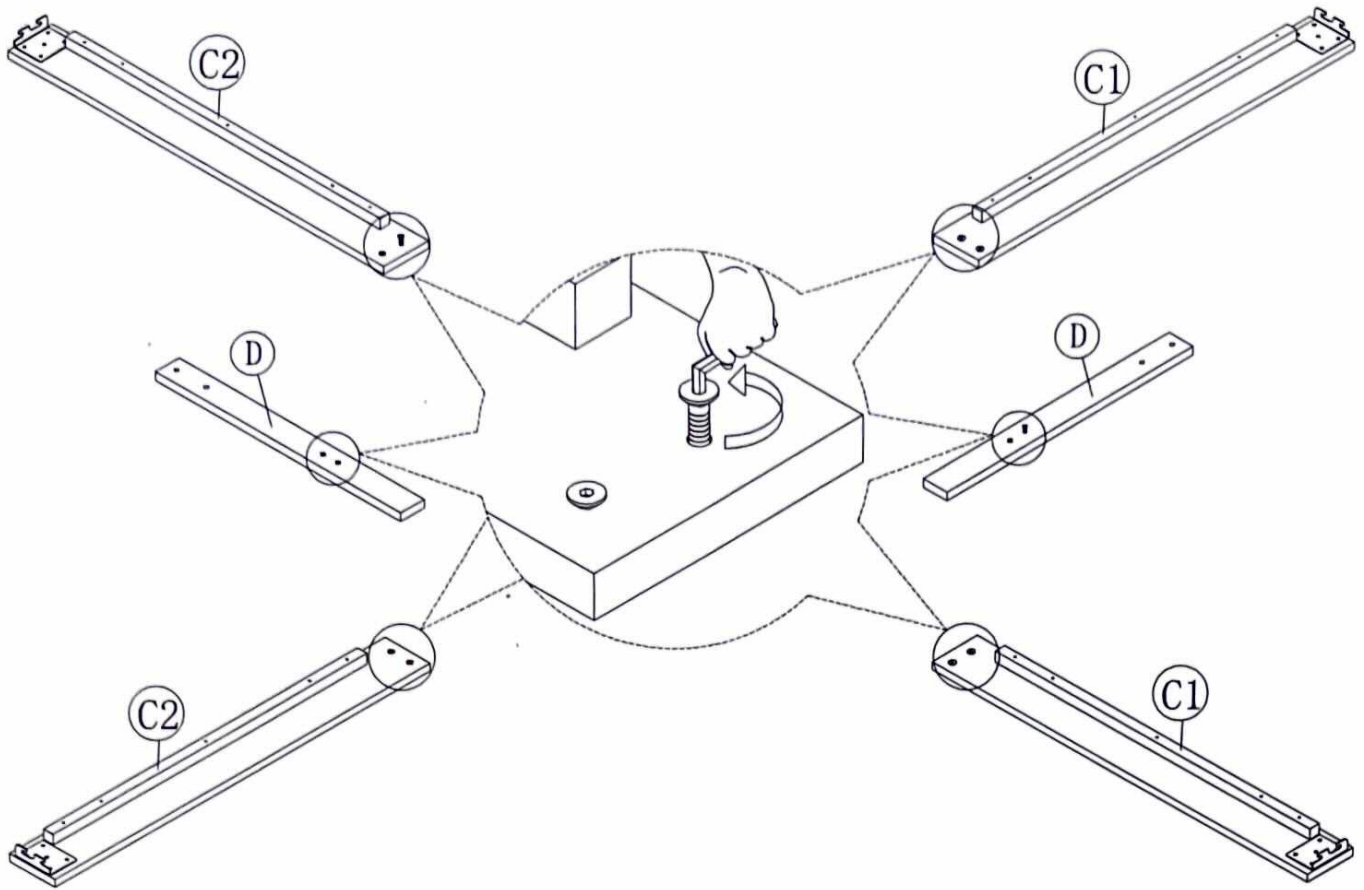
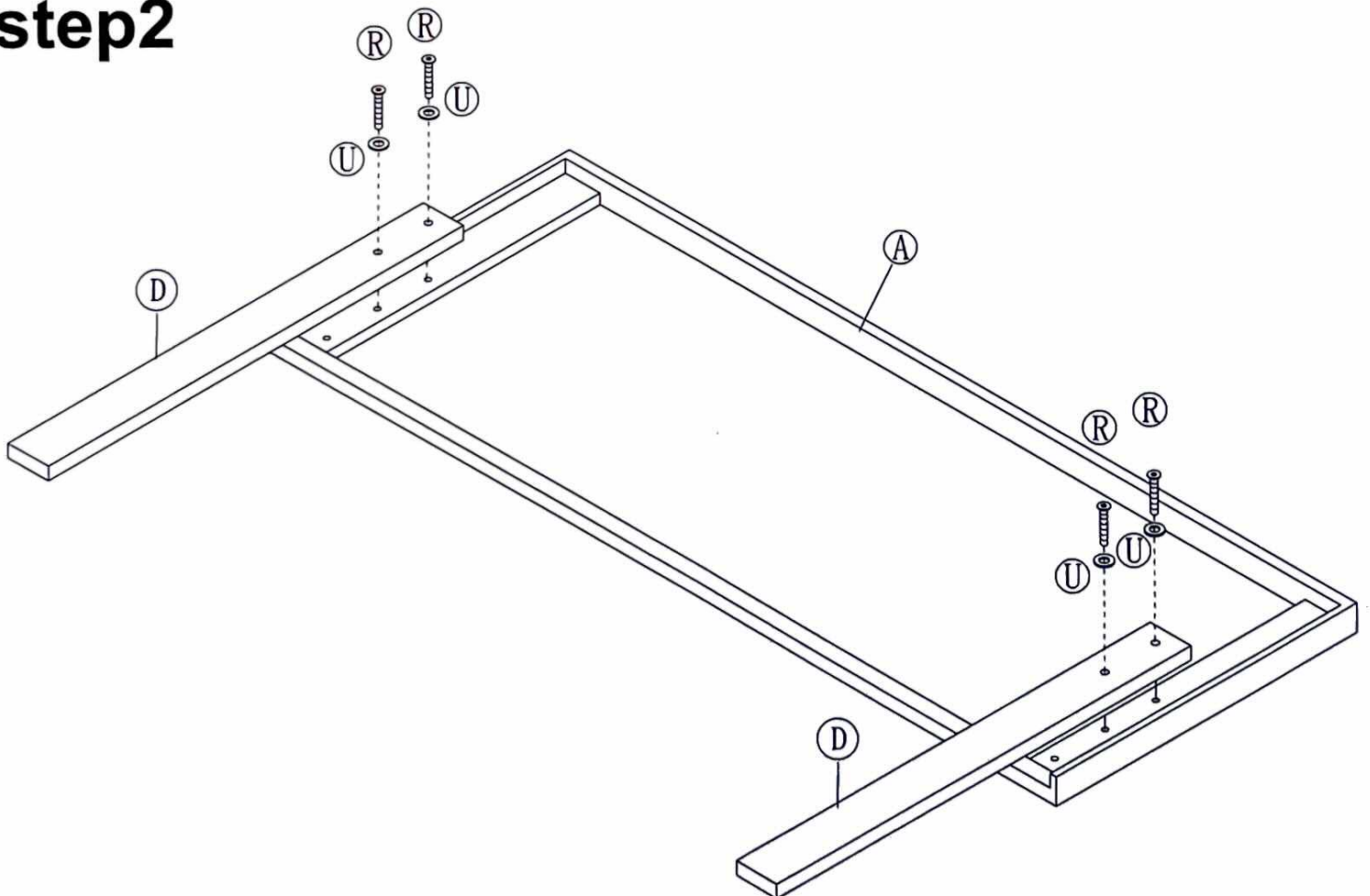


step1

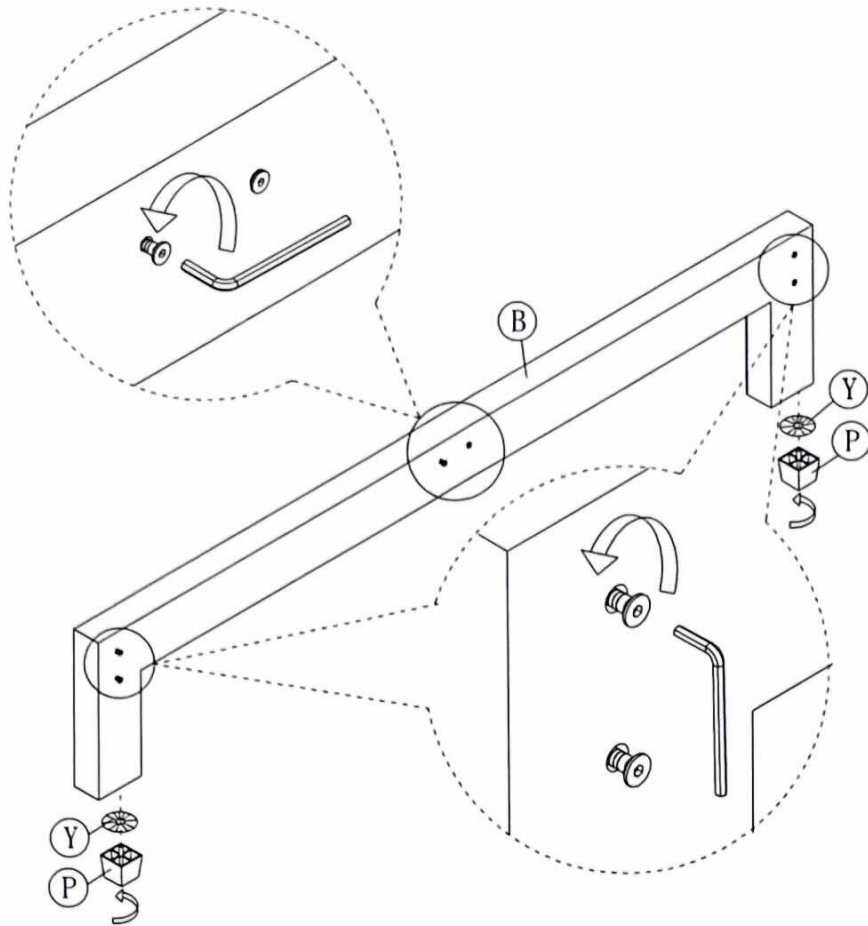


Loosen the pre locked screws and lock it.

step2

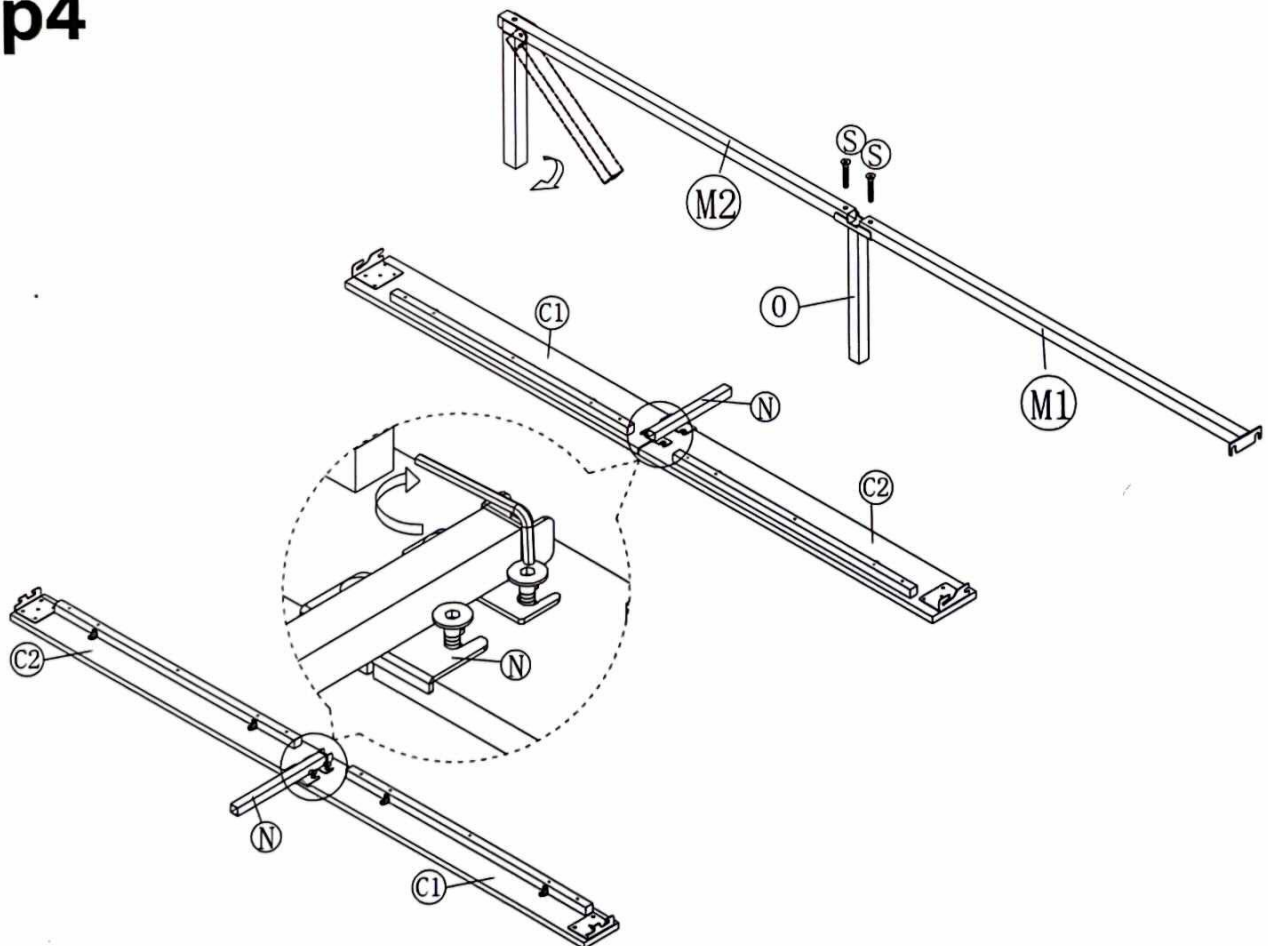


step3



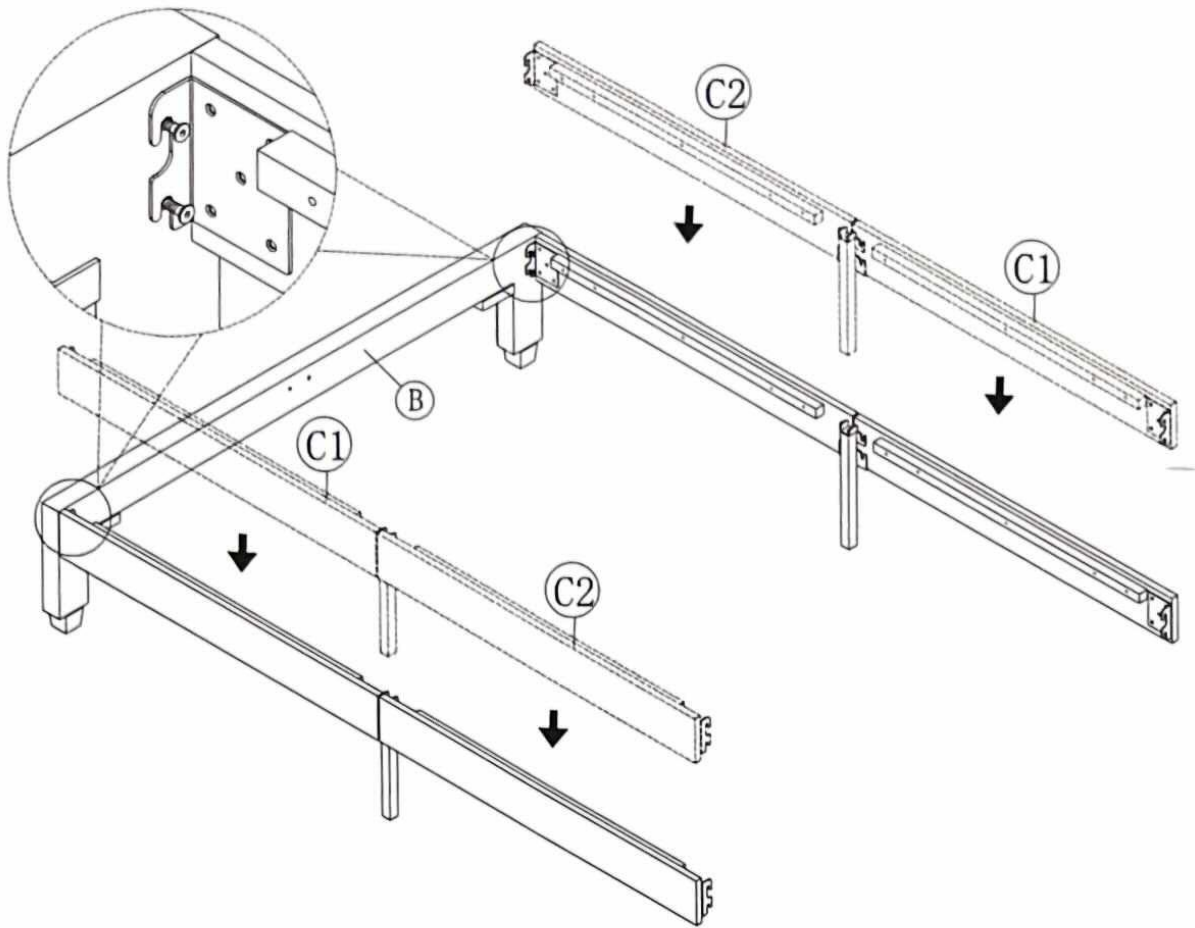
Loosen the pre locked screws.

step4



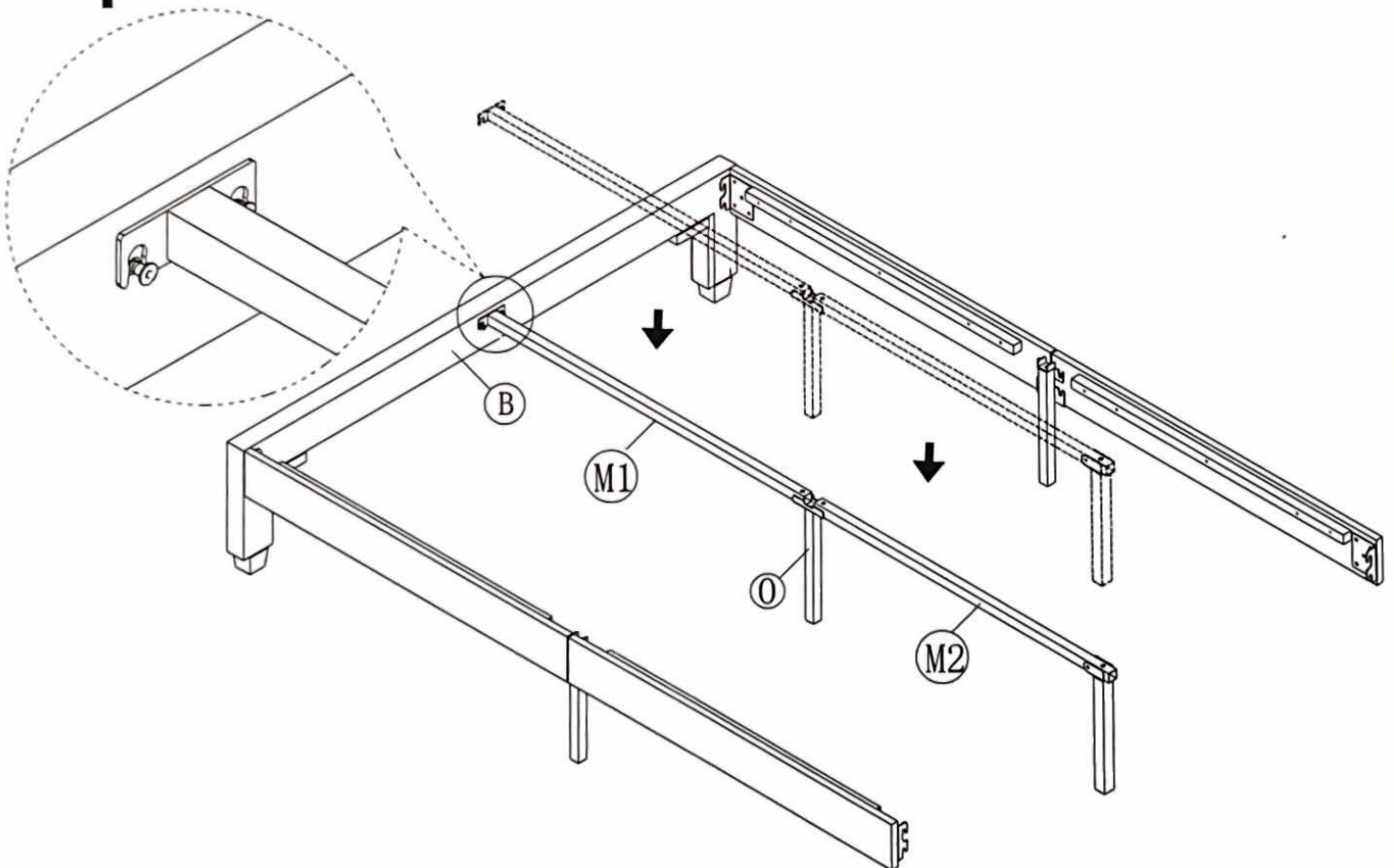
Put the part "N" on part "C1" and part "C2".

step5



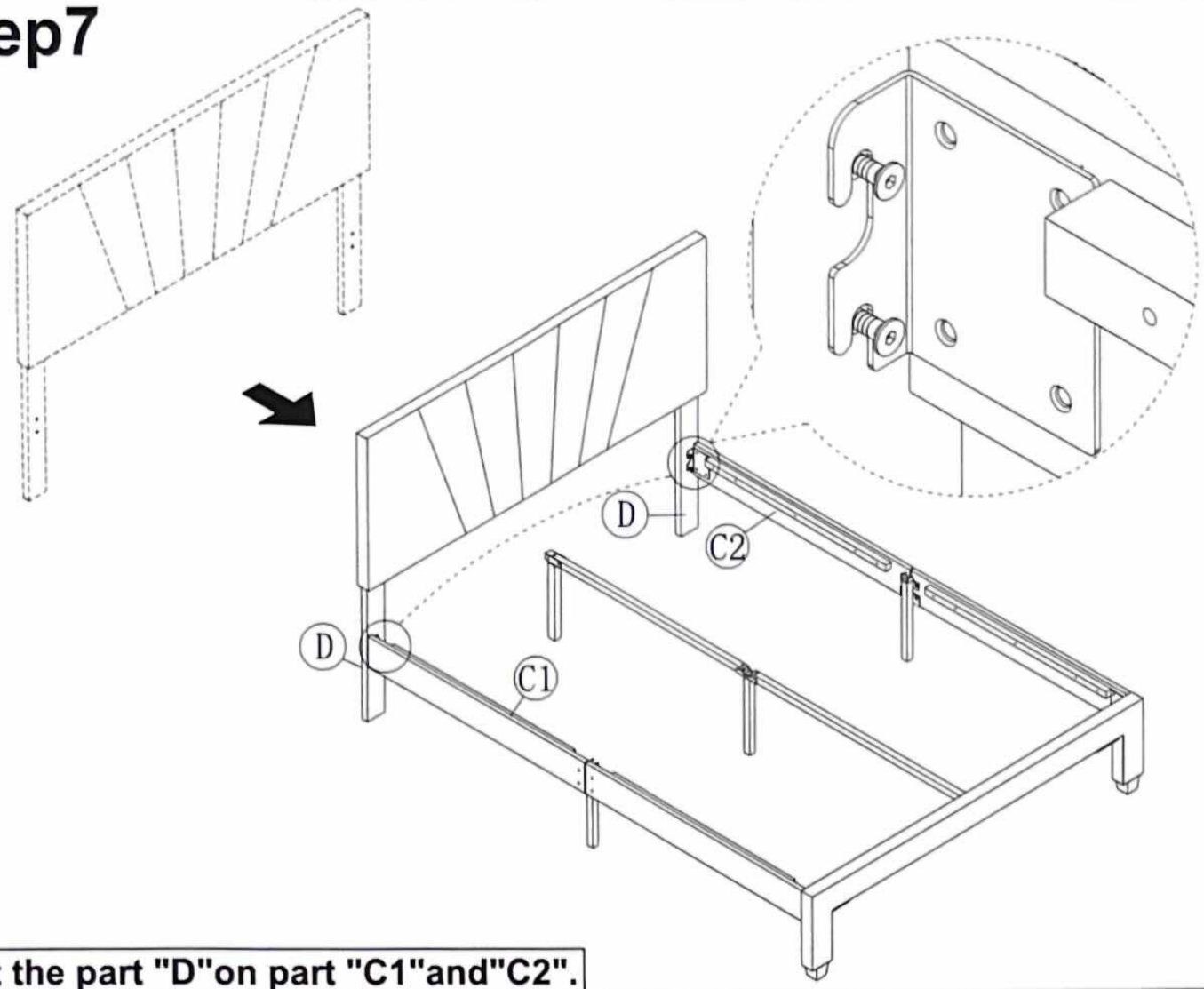
Put the part "C1"and"C2"on part "B".

step6



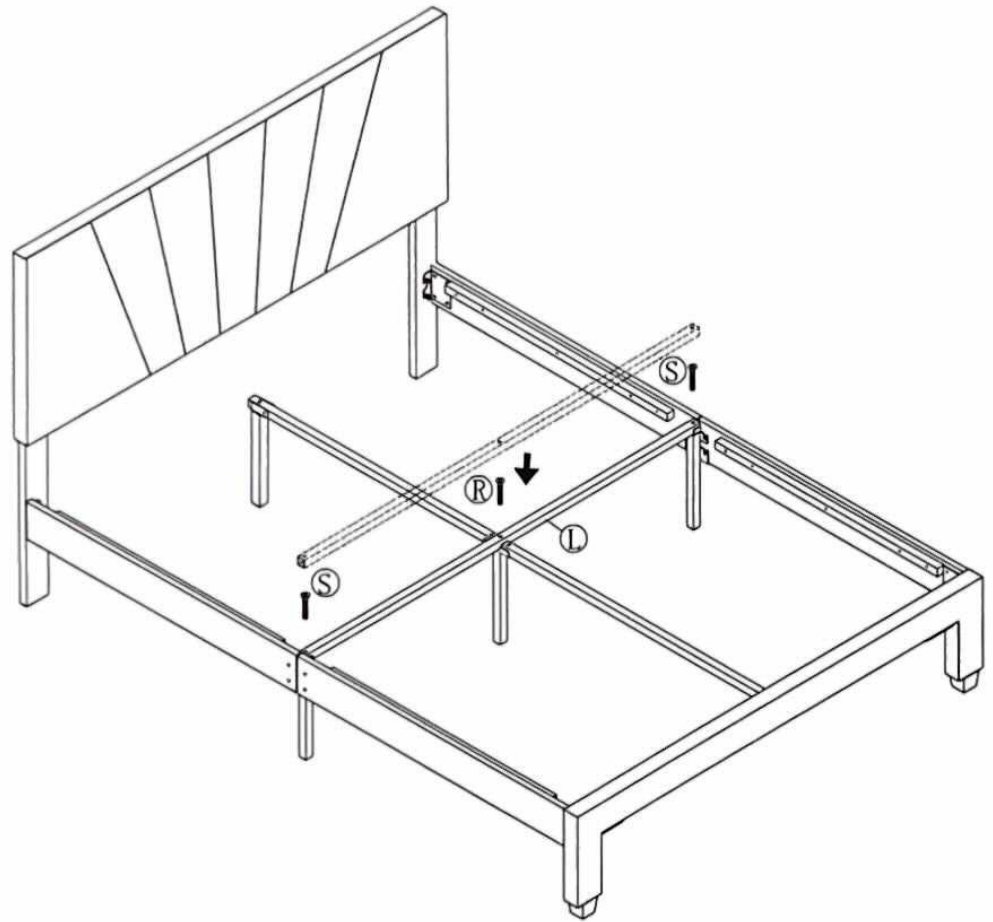
Put the part "M1"on part "B".

step7





Put the part "D" on part "C1" and "C2".

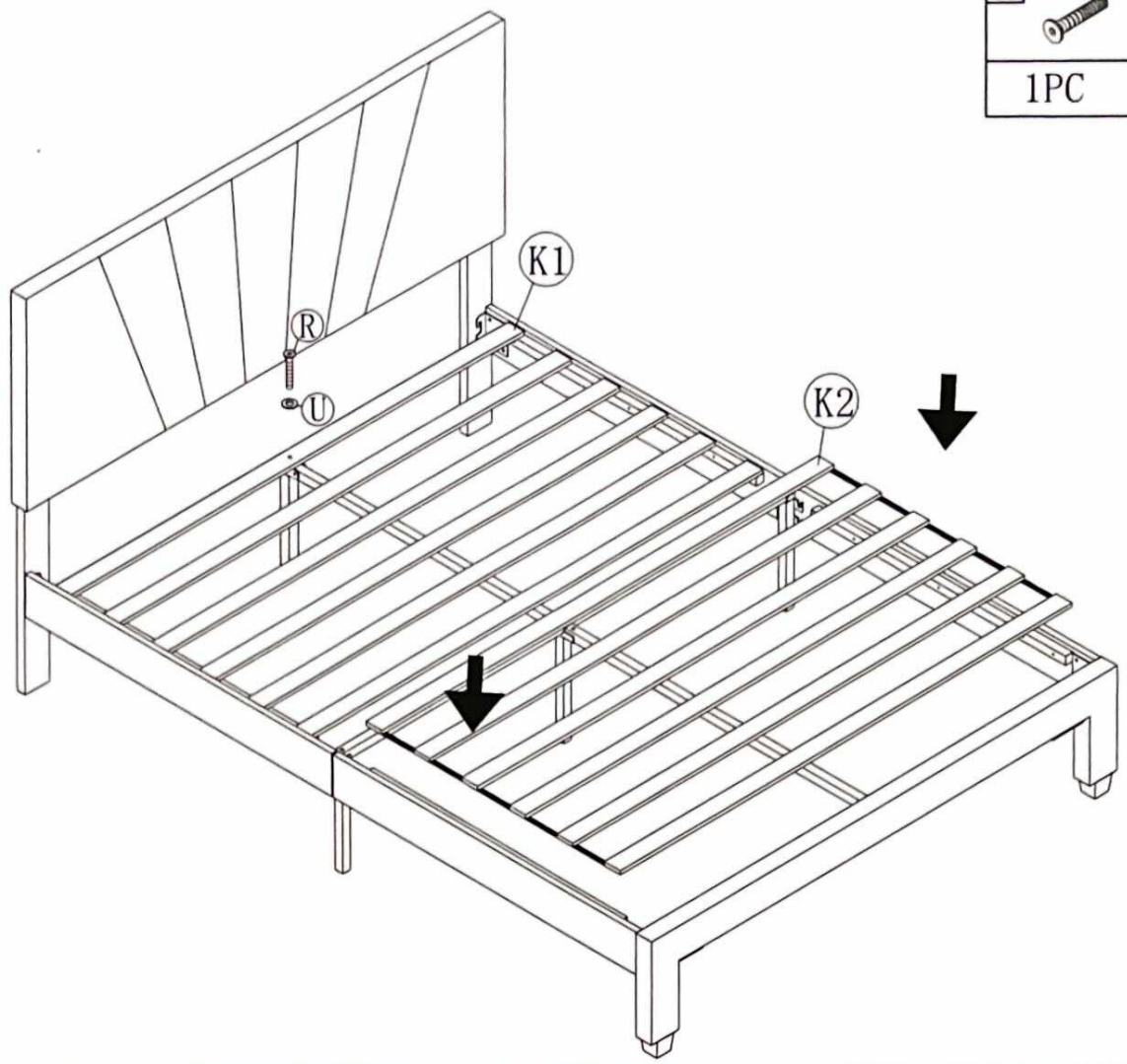
step8





Then tighten all the pre -locked screws.

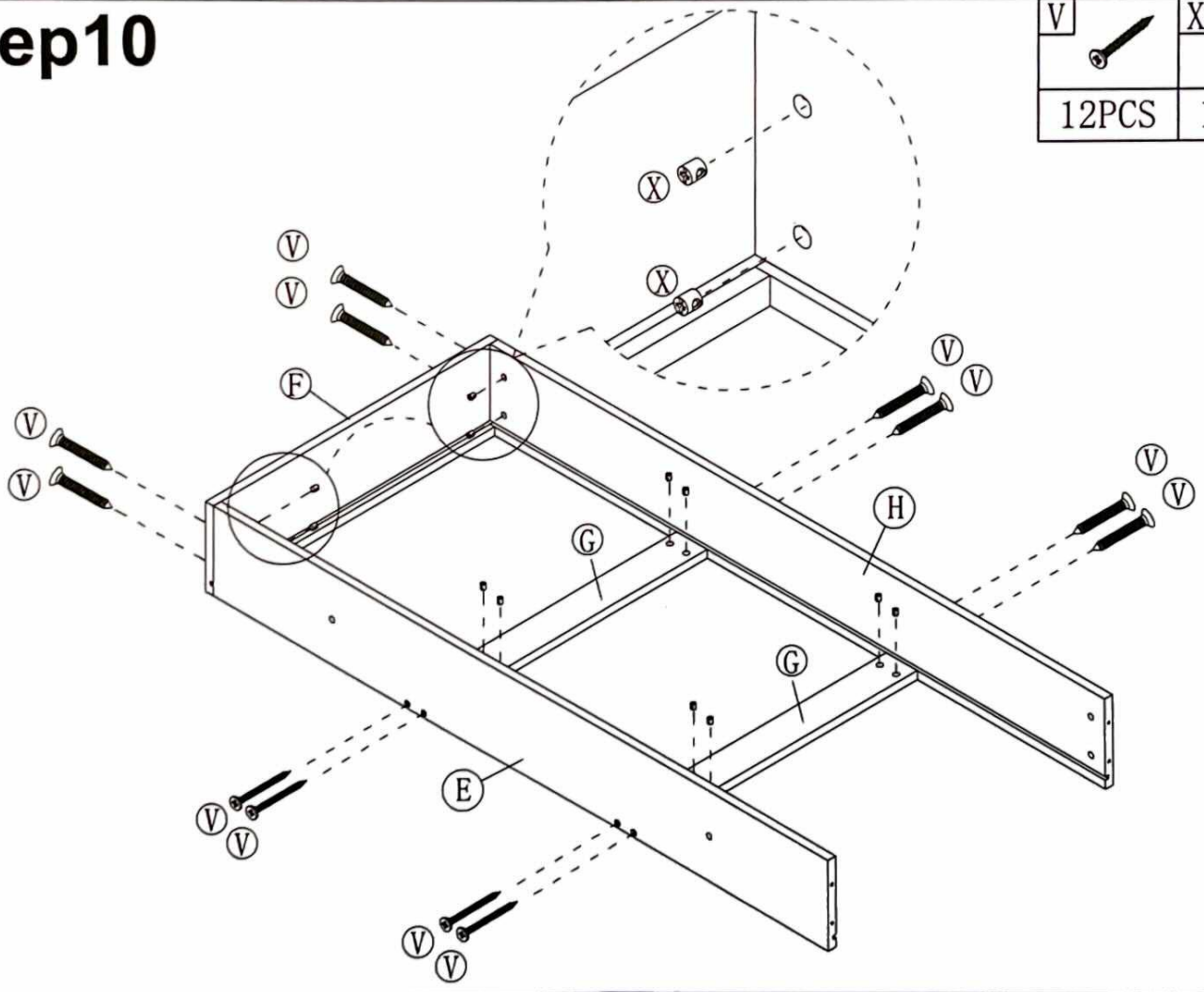
step9

R		U	
	1PC		1PC





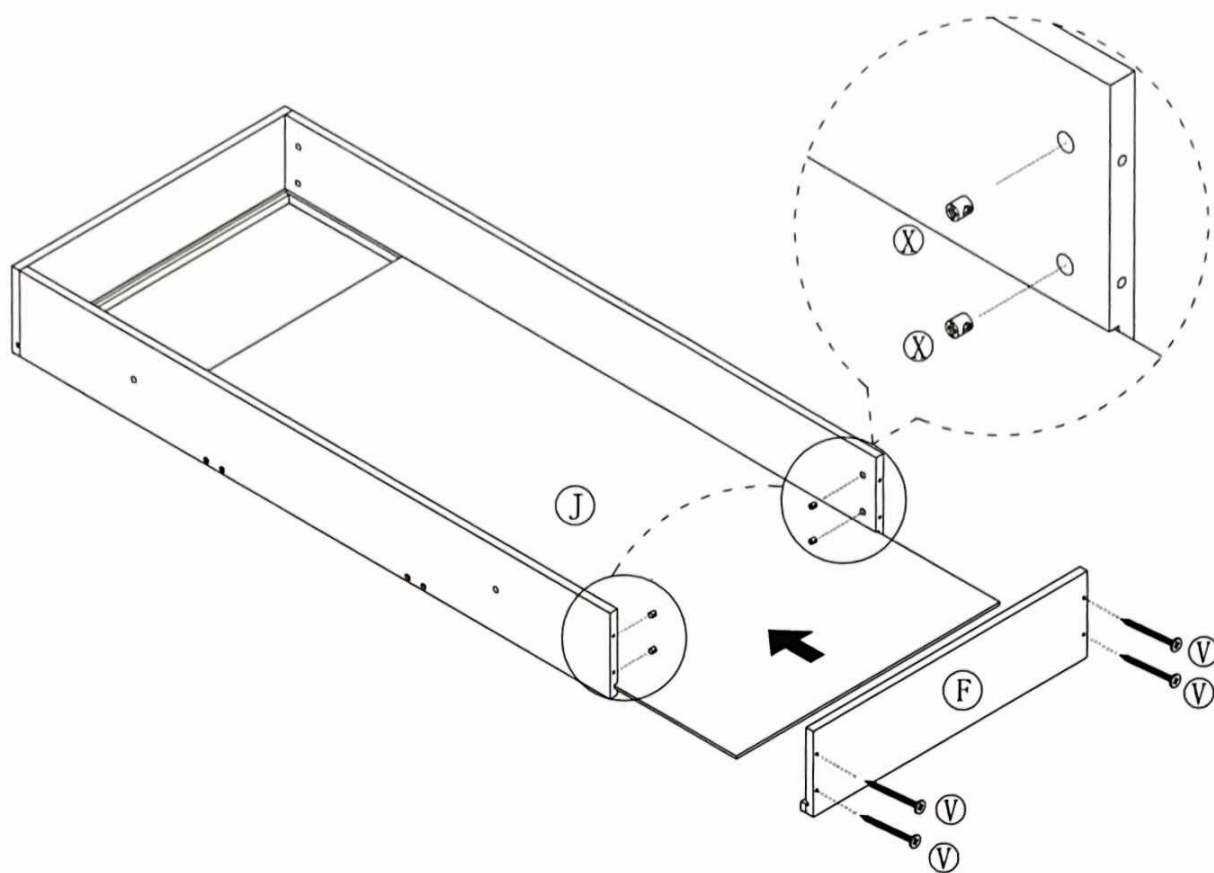
step10

V		X	
	12PCS		12PCS




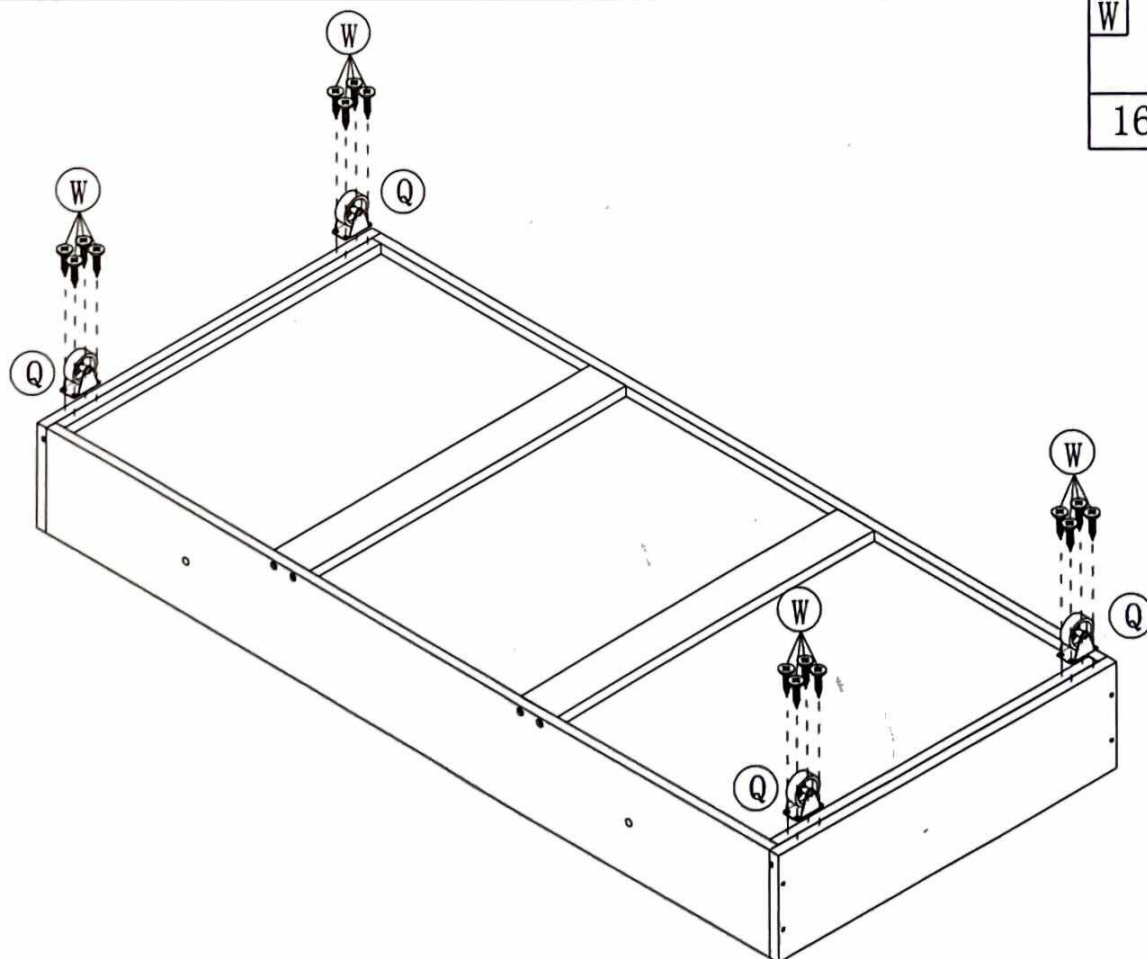
step11

V		X	
4PCS		4PCS	




step12

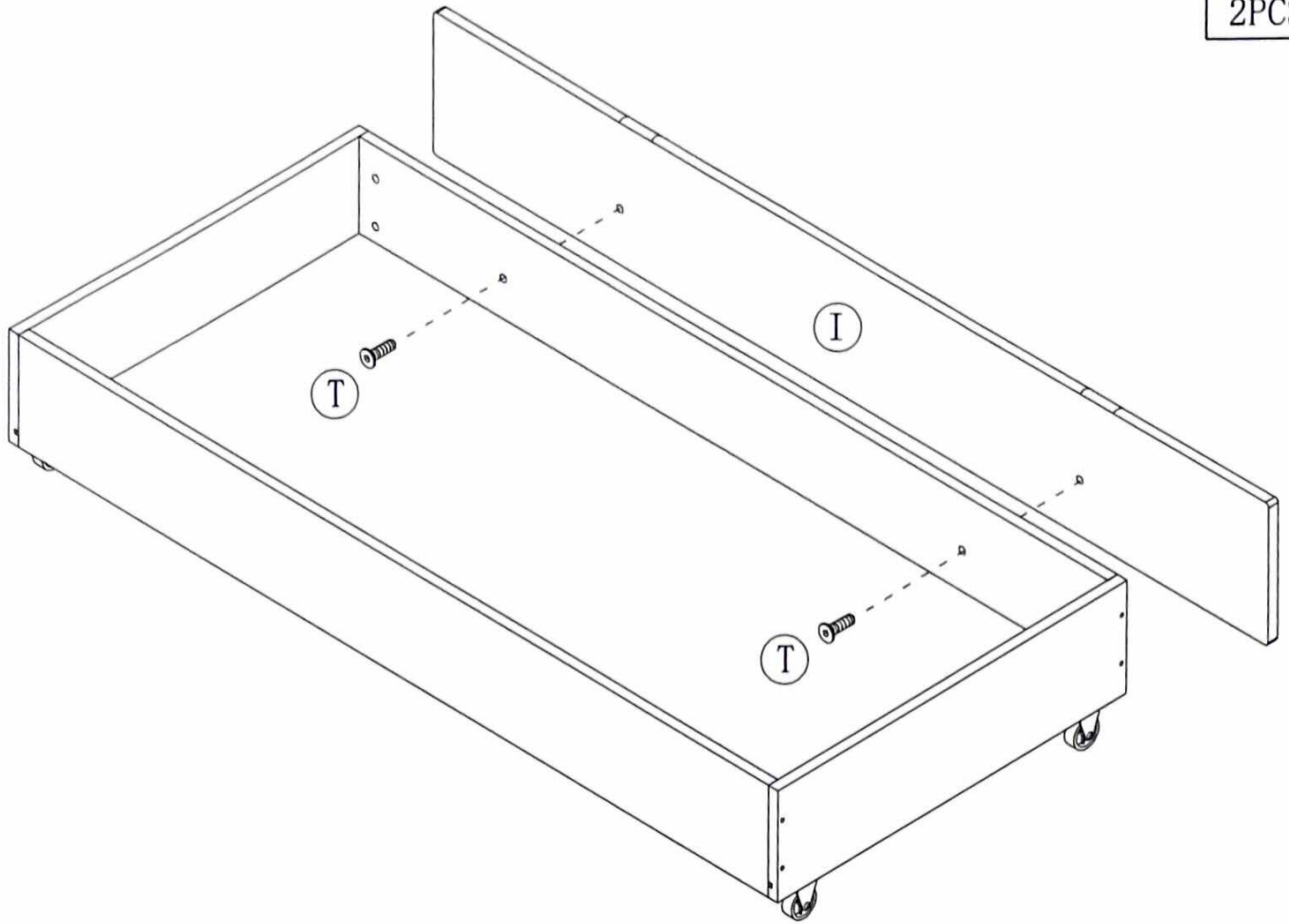
W	
16PCS	



The wheels' holes on the drawers need to be drilled by yourself.

step13

T 
2PCS



step14

