
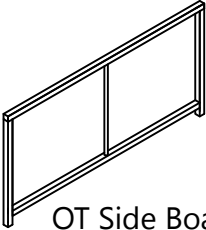
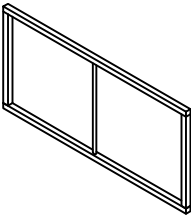
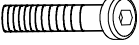

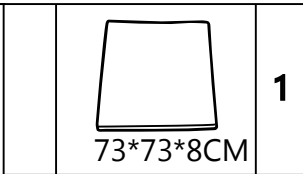
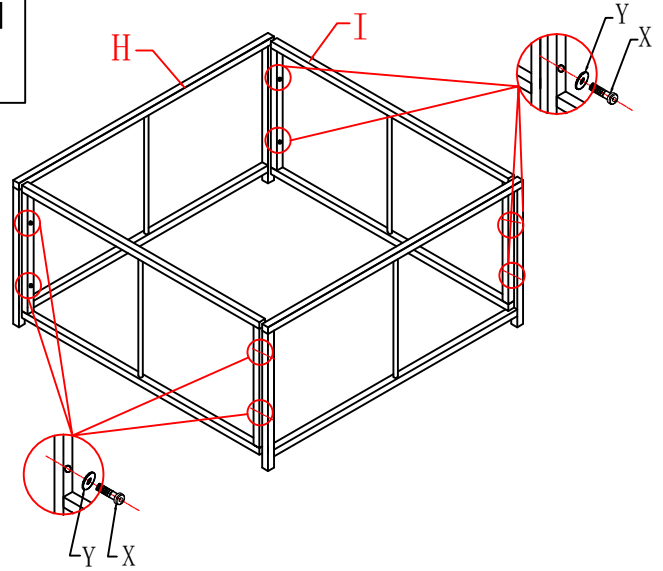


INSTALLATION INSTRUCTIONS

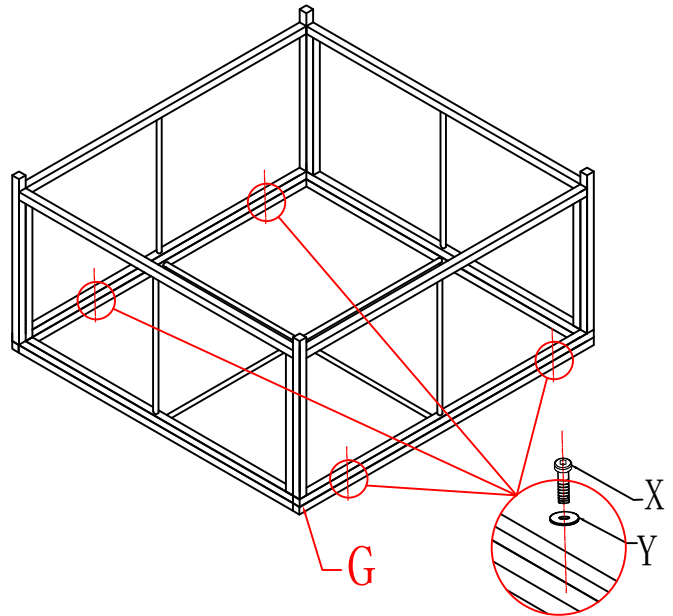
G	 OT Top	1
H	 OT Side Board	2
I	 OT Side Board	2
X	 M6*35	12
Y		12



Step 1

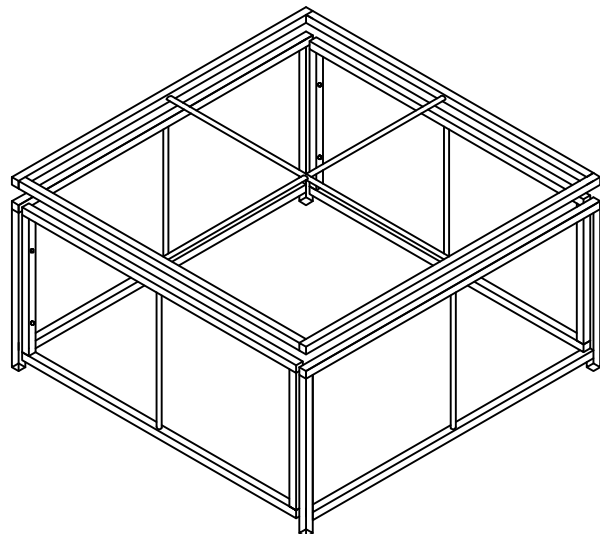
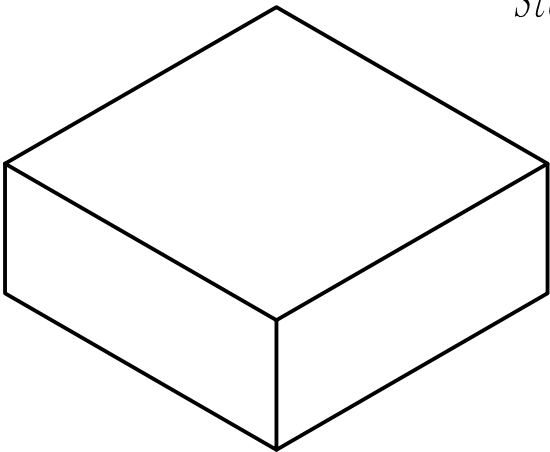


Step 2

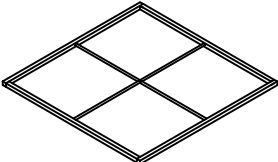
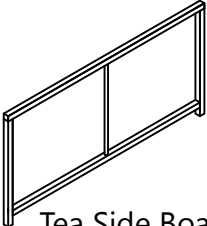
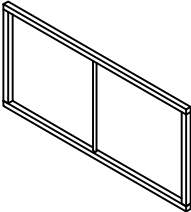
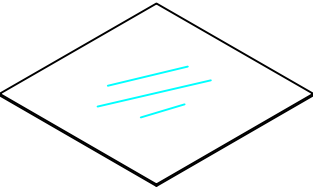
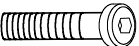



Ottoman

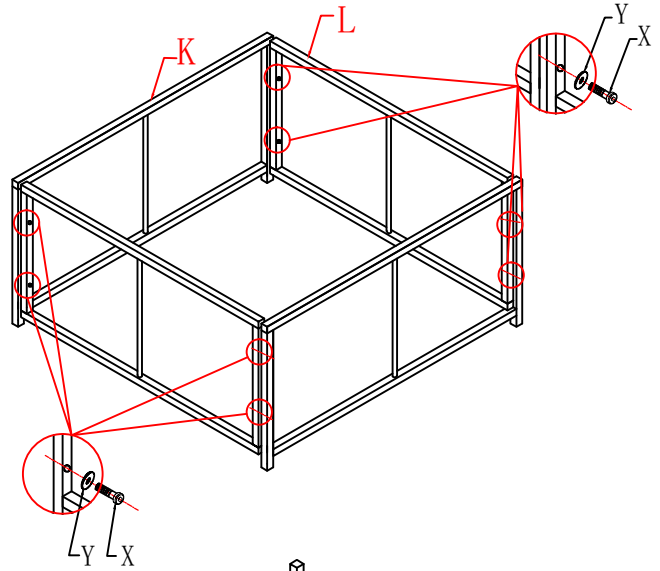
Step 3



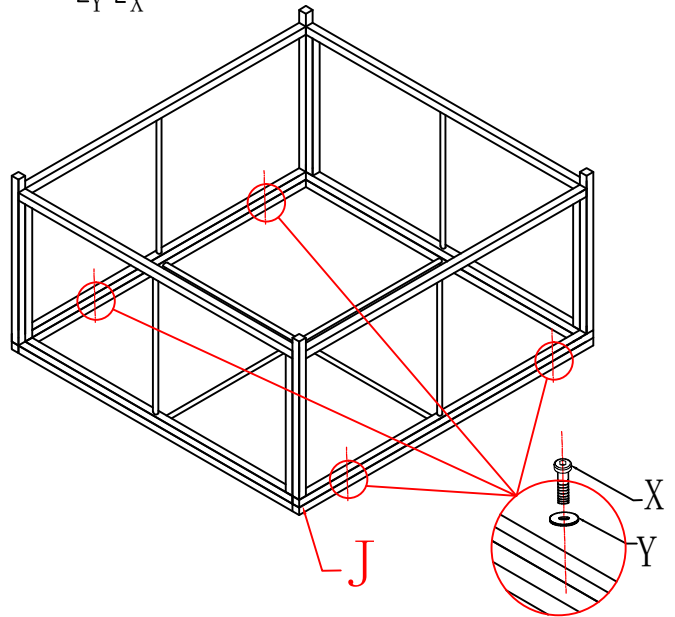
INSTALLATION INSTRUCTIONS

J	 Tea Table Top	1
K	 Tea Side Board	2
L	 Tea Side Board	2
M	 Glass	1
X	 M6*35	12
Y		12

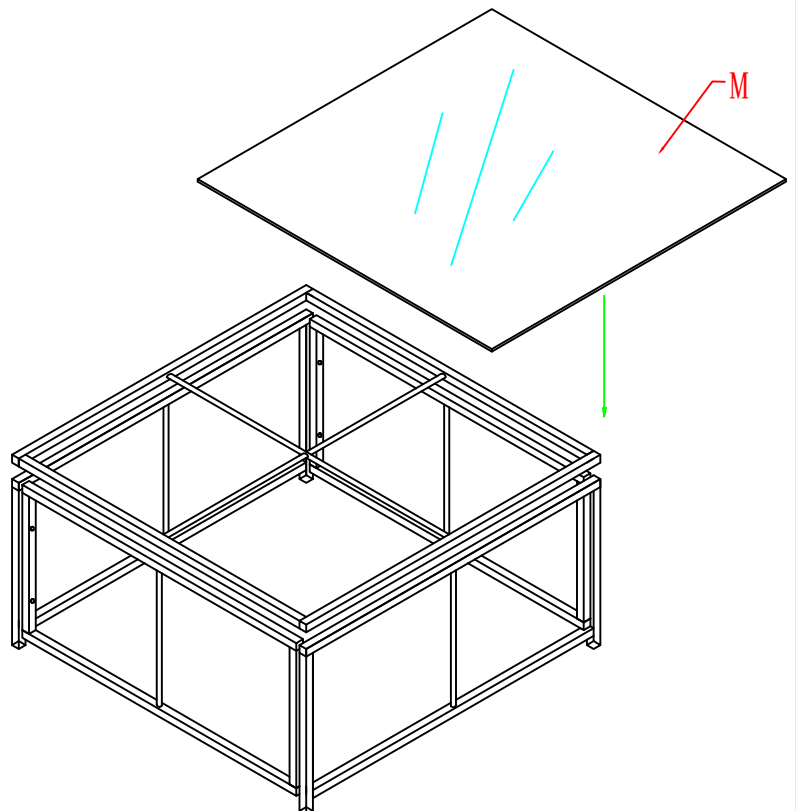
Step 1



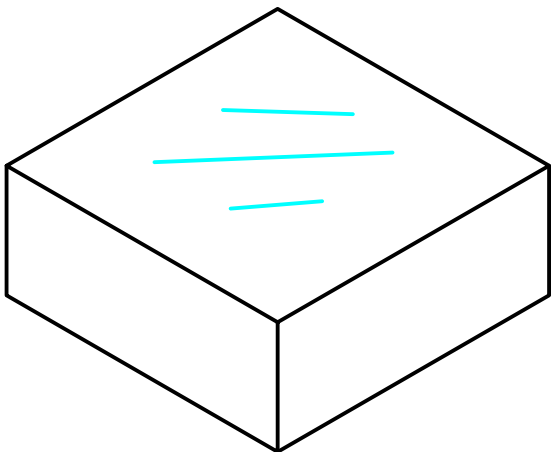
Step 2



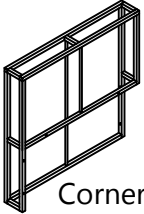
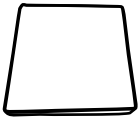
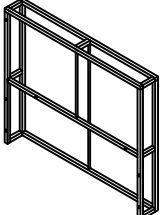


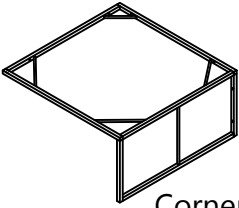
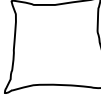
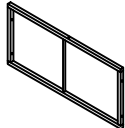
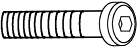


Step 3



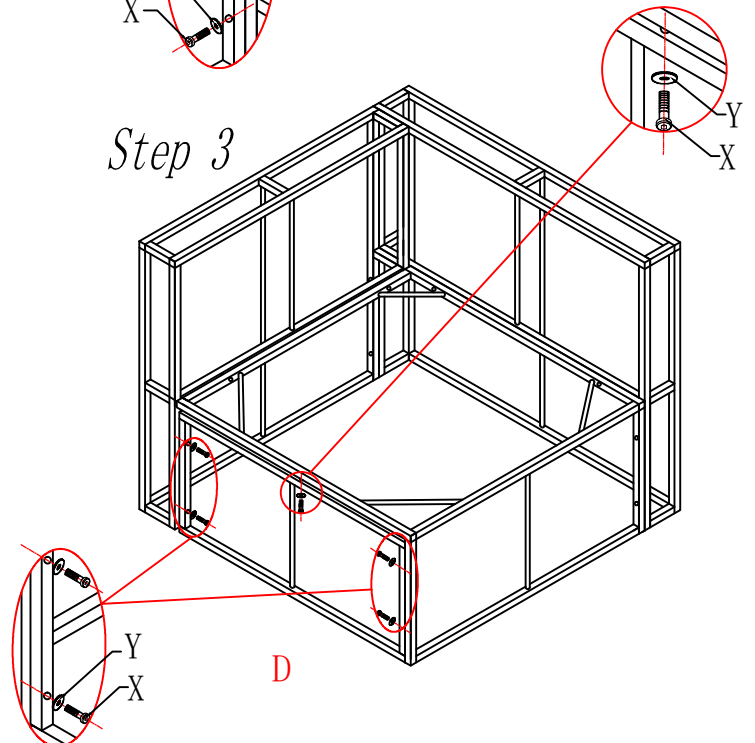
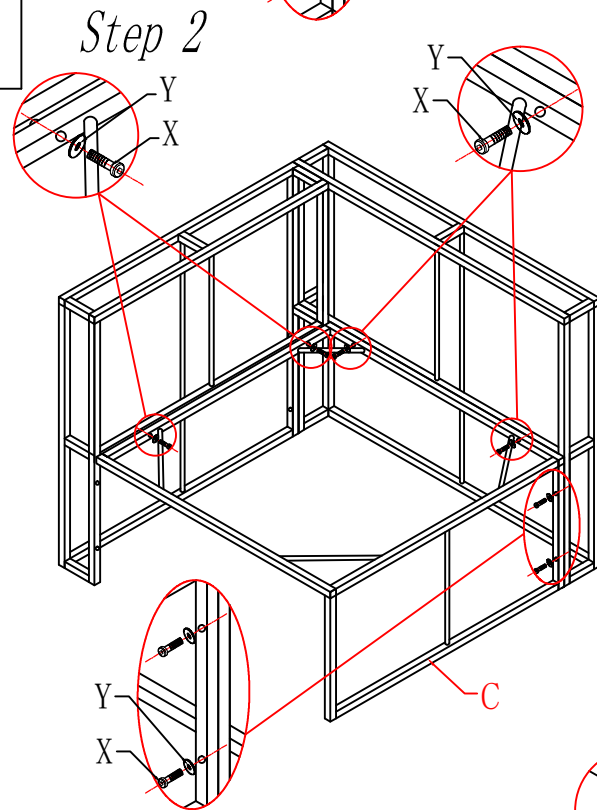
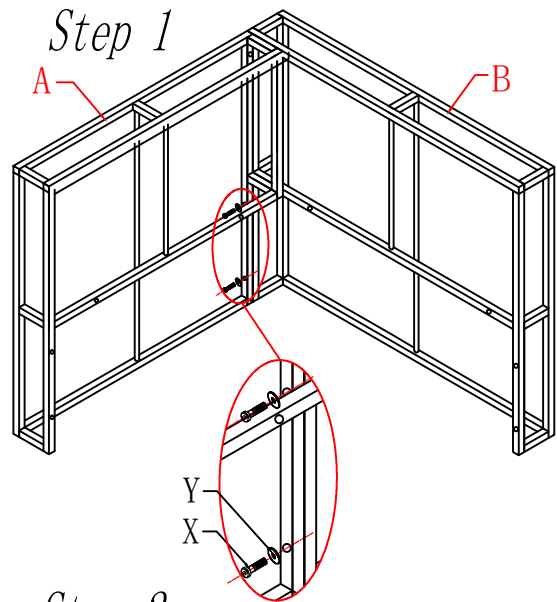
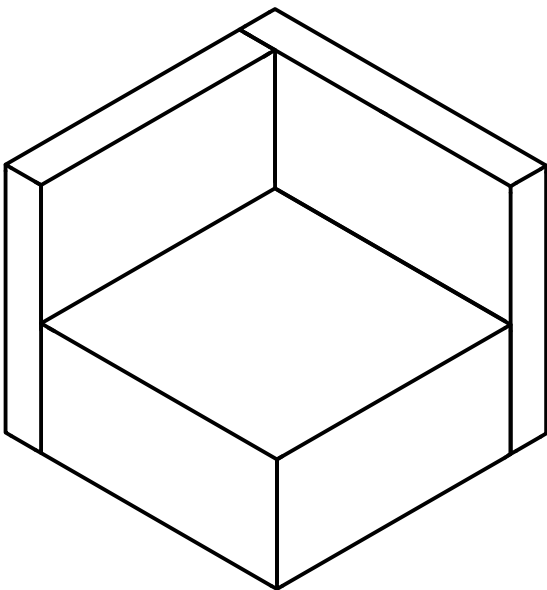
Coffee Table



INSTALLATION INSTRUCTIONS

A	 Corner Back	1	 63*63*8CM	1
B	 Corner Armrest	1	 32*63*10CM	1
			 32*50*10CM	1
C	 Corner Seat	1	 45*45CM	1
D	 Side Board	1		
X	 M6*35	13		
Y		13		
Z		1		

Corner Sofa



1

The horn button design can help you to effectively fix cushion



2

Find the place where you want to fix the location and open the rattan to insert horn button



3

When fully inserted, it has spare tape to increase the cushion movement space



4

The cushion fixation is completed, if you any other problem, please contact seller

