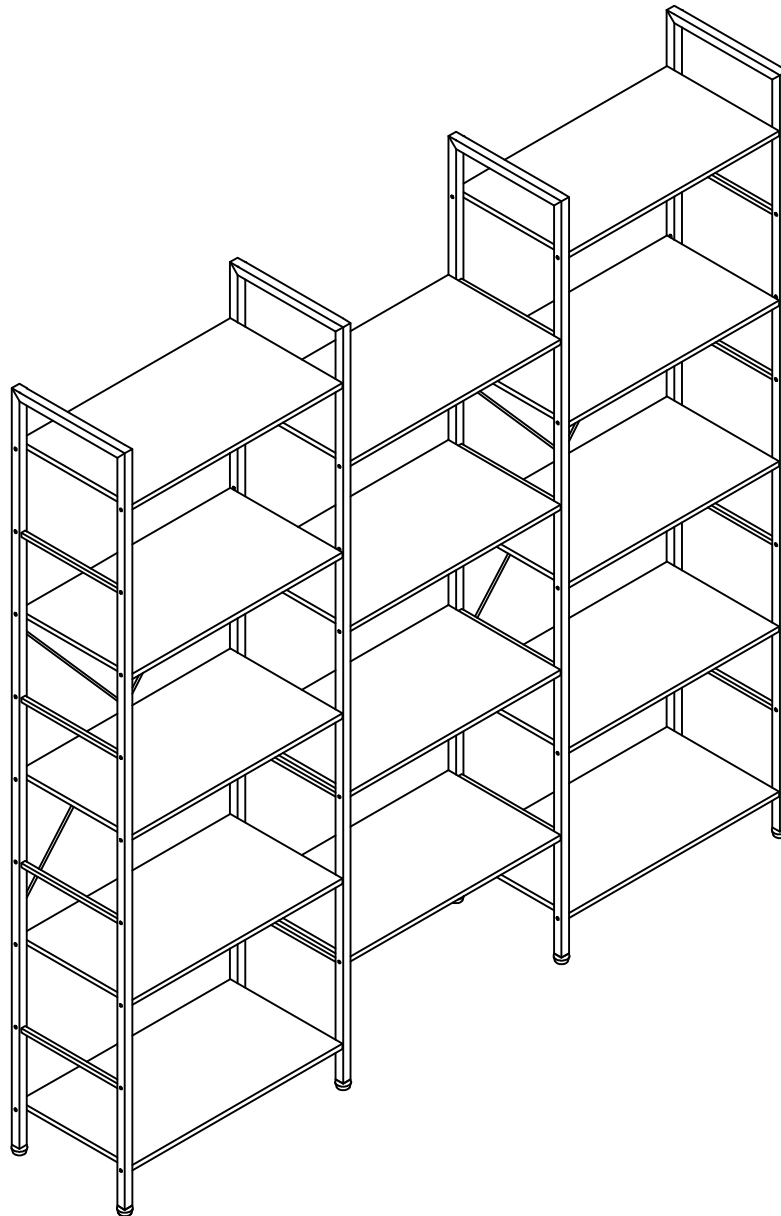


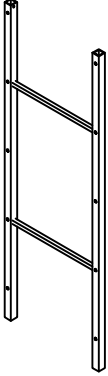
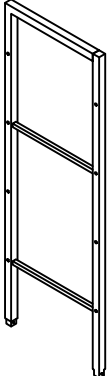

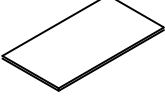




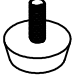
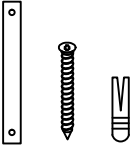
INSTRUCTION MANUAL



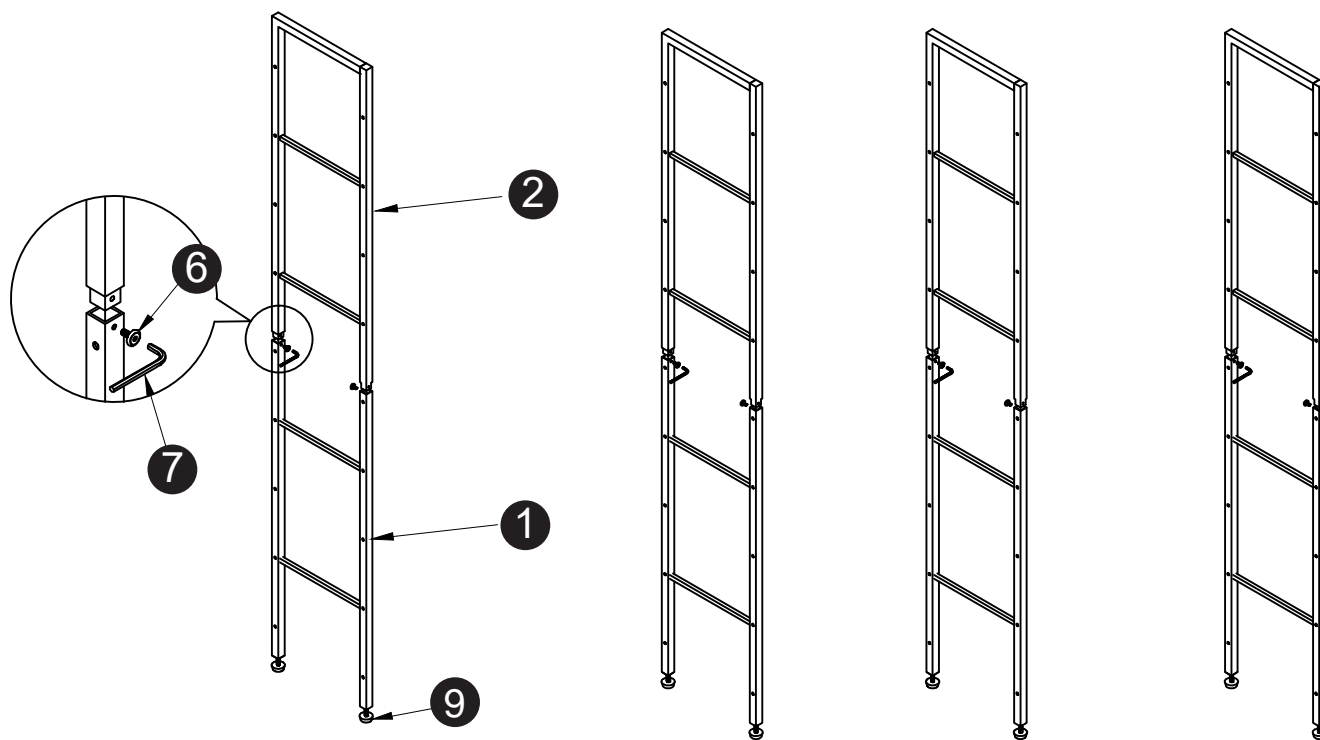
■ Please don't tighten the screws completely and go back later for a final tightening of all the screws after pieces are aligned with each other.

■ If you have any question, please feel free to contact us.

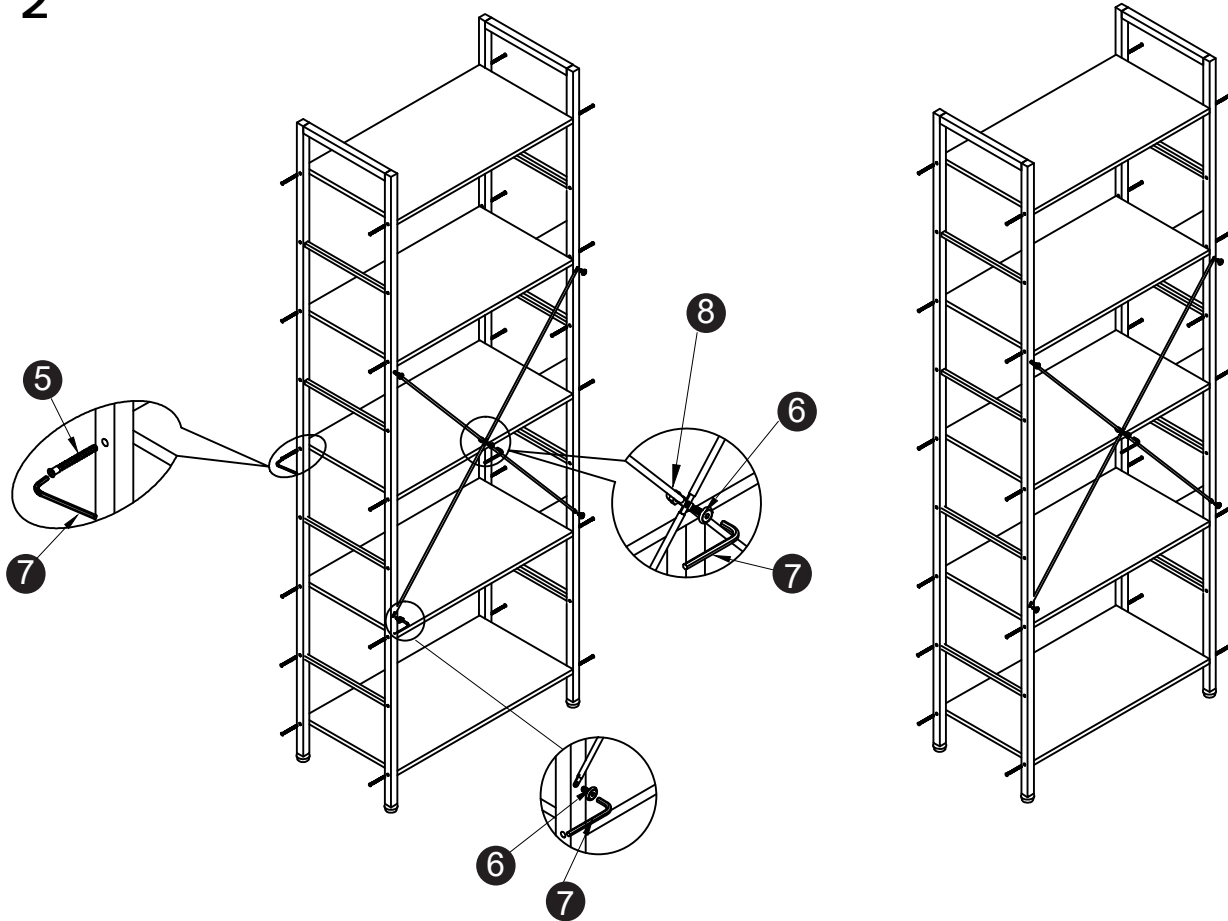


 <p>1 X4</p>	 <p>2 X4</p>	 <p>3 X4</p>	 <p>4 X14</p>	 <p>M3.5x50mm 5 X56</p>	 <p>M6x10mm 6 X18</p>
 <p>M3x1 M4x1 7 X2</p>	 <p>8 X2</p>	 <p>9 X8</p>	 <p>10 X2</p>		

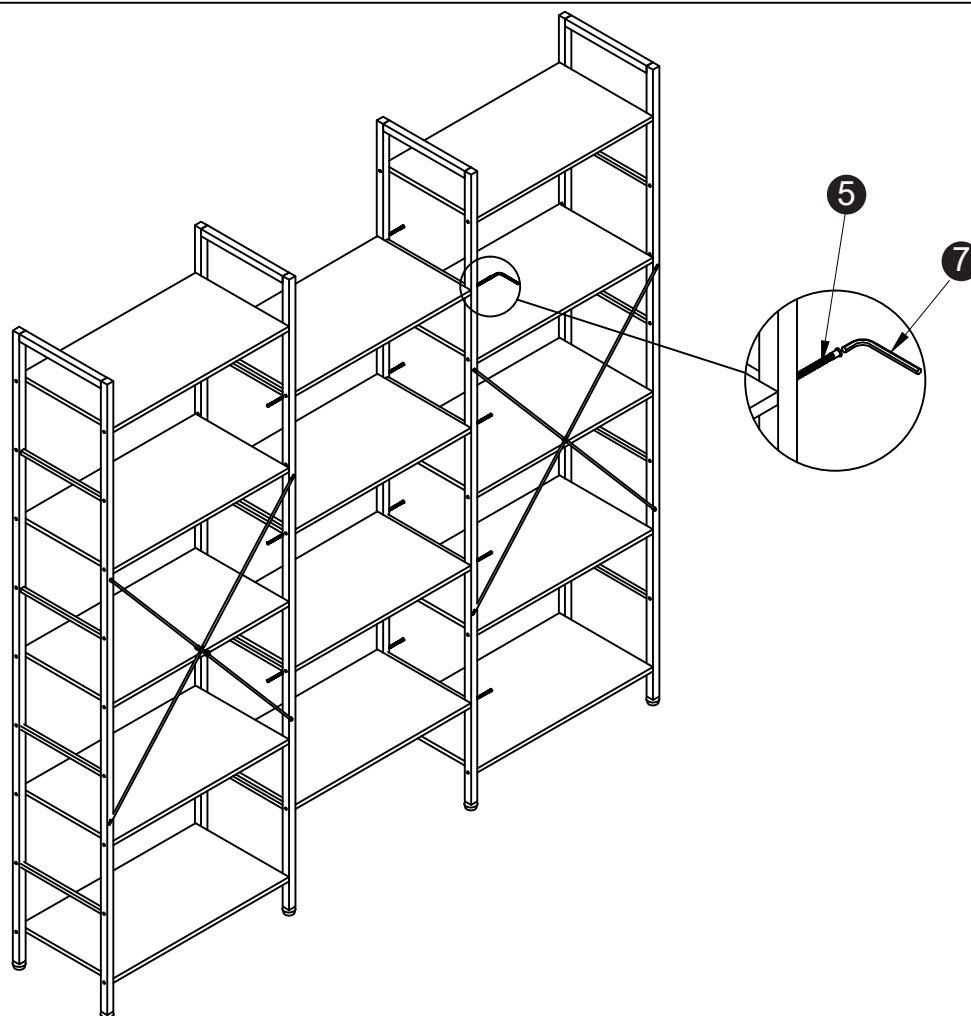
1



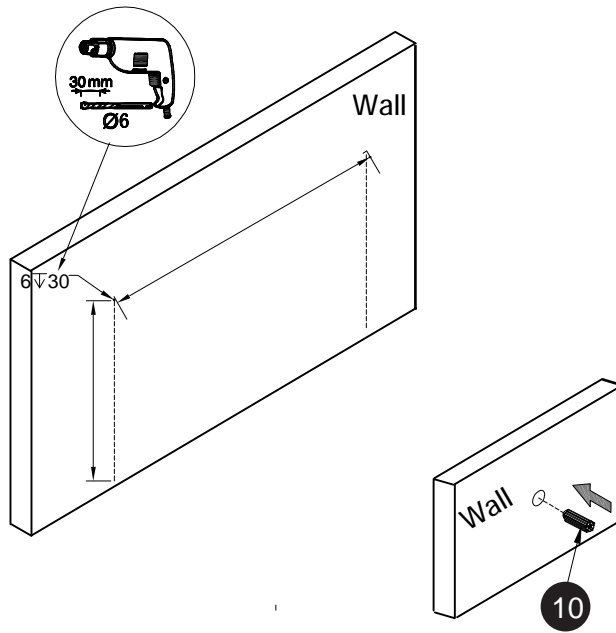
2



3



4



5

