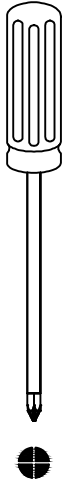
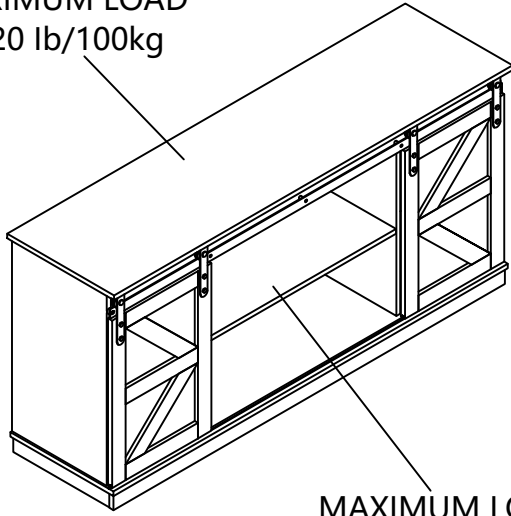


WARNING!



MAXIMUM LOAD
220 lb/100kg

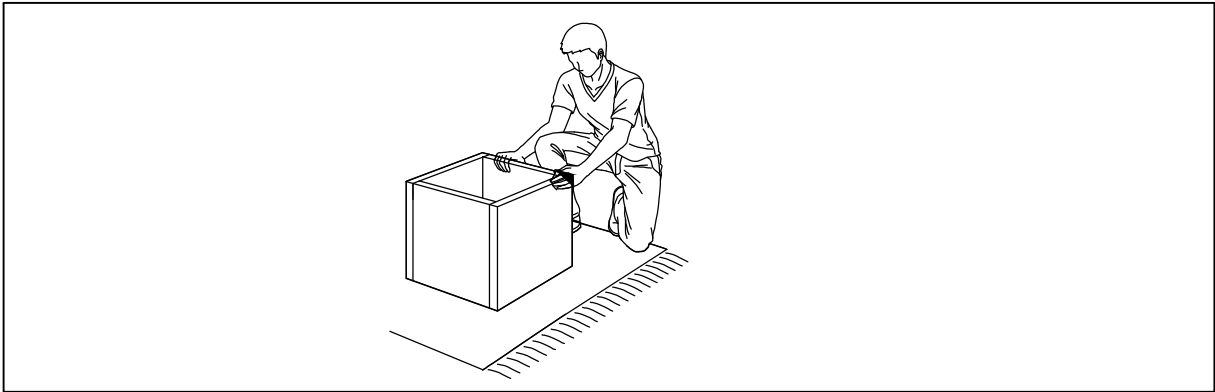


MAXIMUM LOAD
20 lb/9.1kg

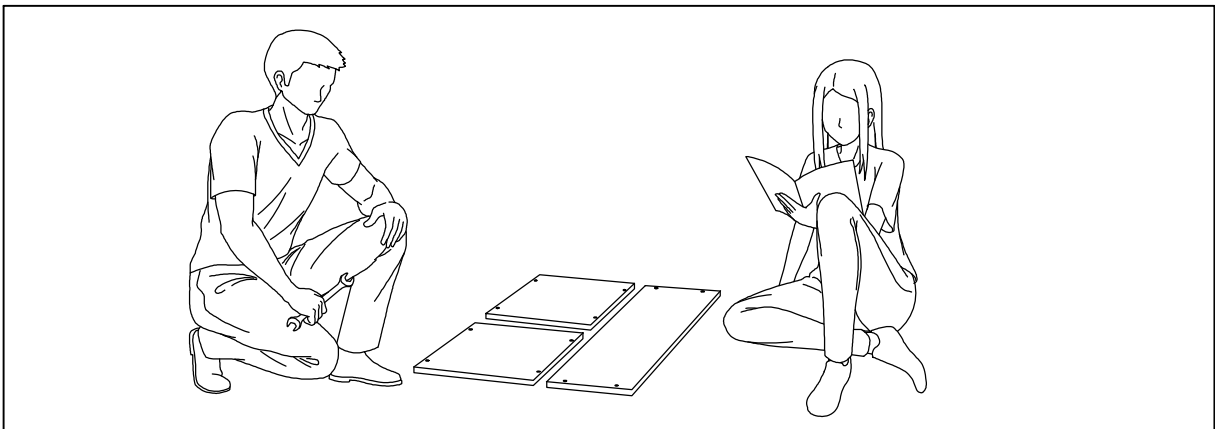


Estimated Time for Assembly

45 mins

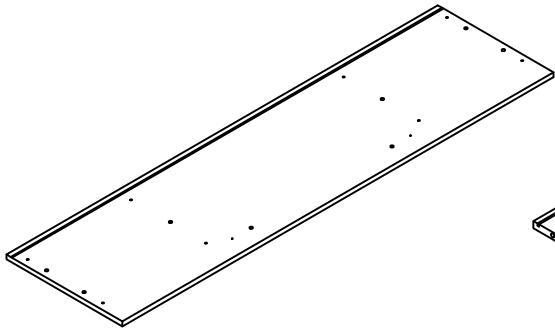


Assemble the furniture on empty carton, carpet, or rug to prevent scratches or damage.

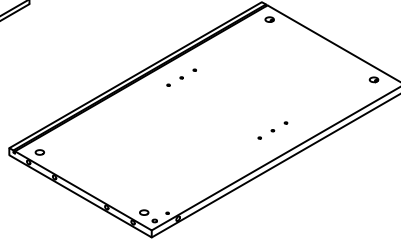


This furniture requires 2 people to assembly.
Make sure no parts are missing or damaged before assembly.

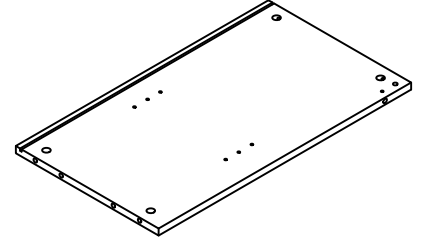
Not actual size



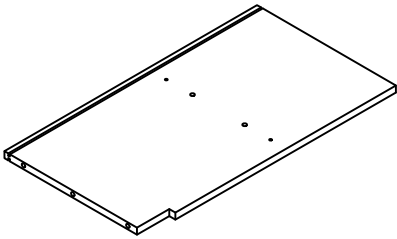
① X1



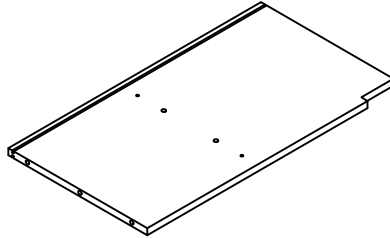
② X1



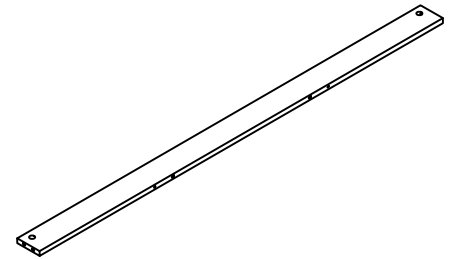
③ X1



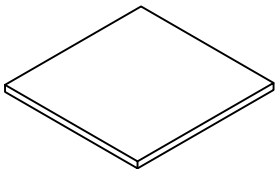
④ X1



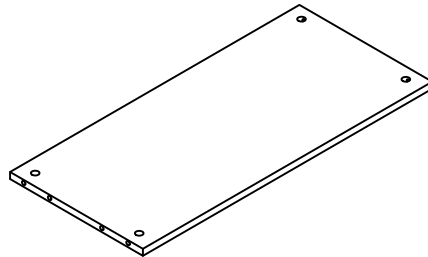
⑤ X1



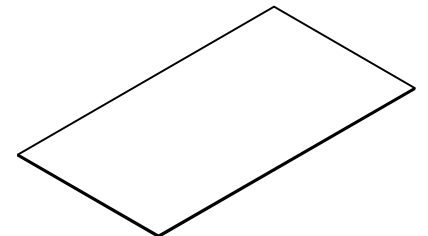
⑥ X1



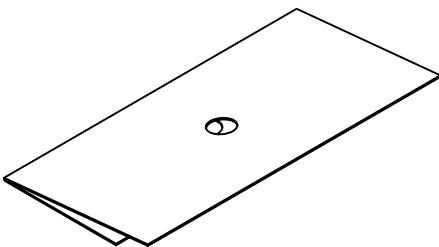
⑦ X2



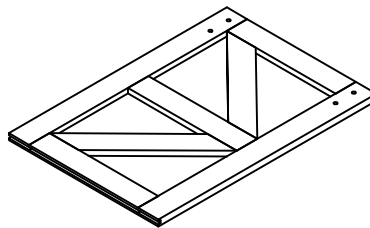
⑧ X1



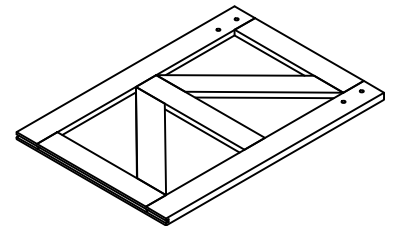
⑨ X2



⑩ X1



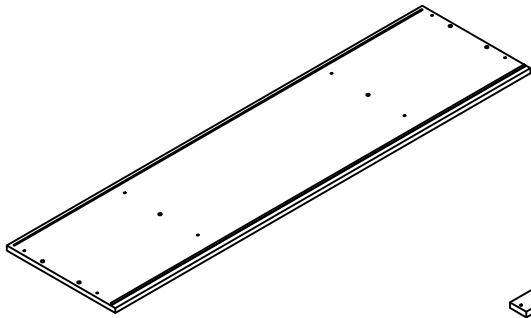
⑫ X1



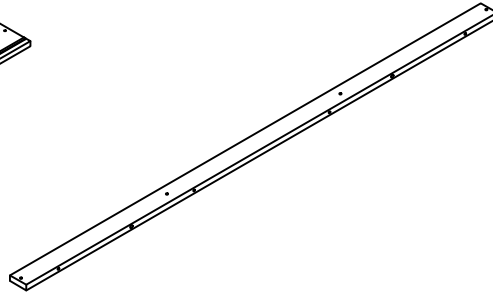
⑬ X1

BOARD IDENTIFICATION

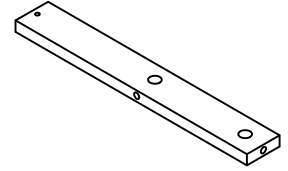
Not actual size



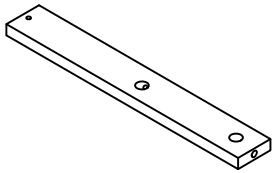
⑭ X1



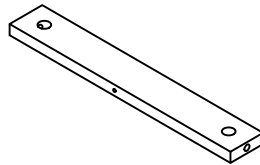
⑮ X1



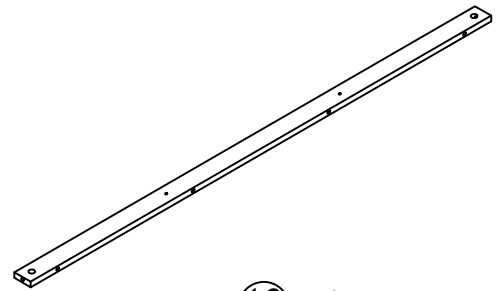
⑯ X1



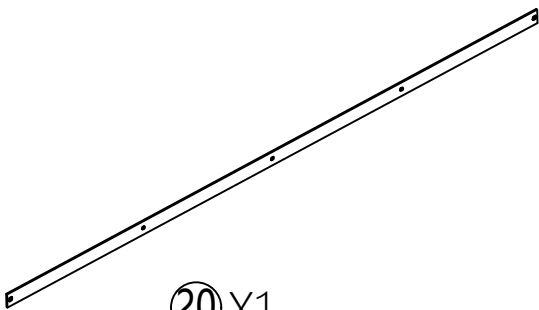
⑰ X1



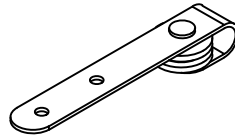
⑱ X2



⑲ X1



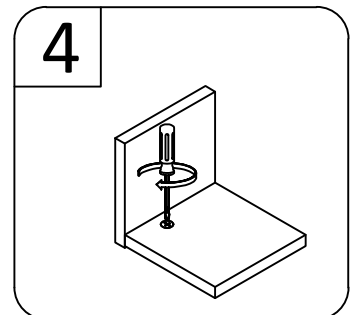
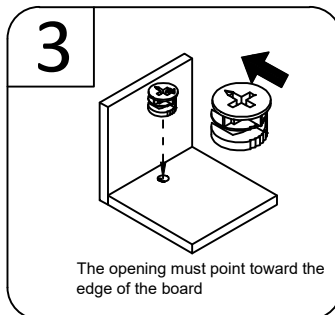
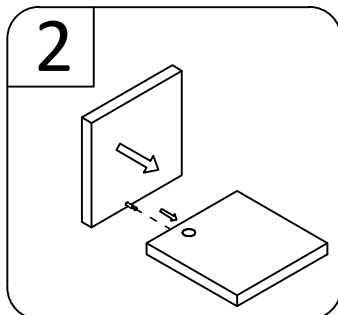
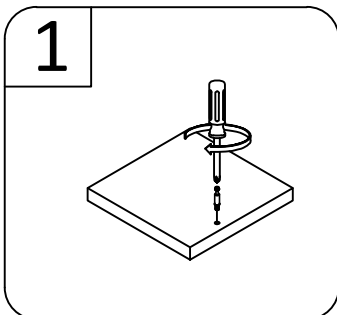
⑳ X1



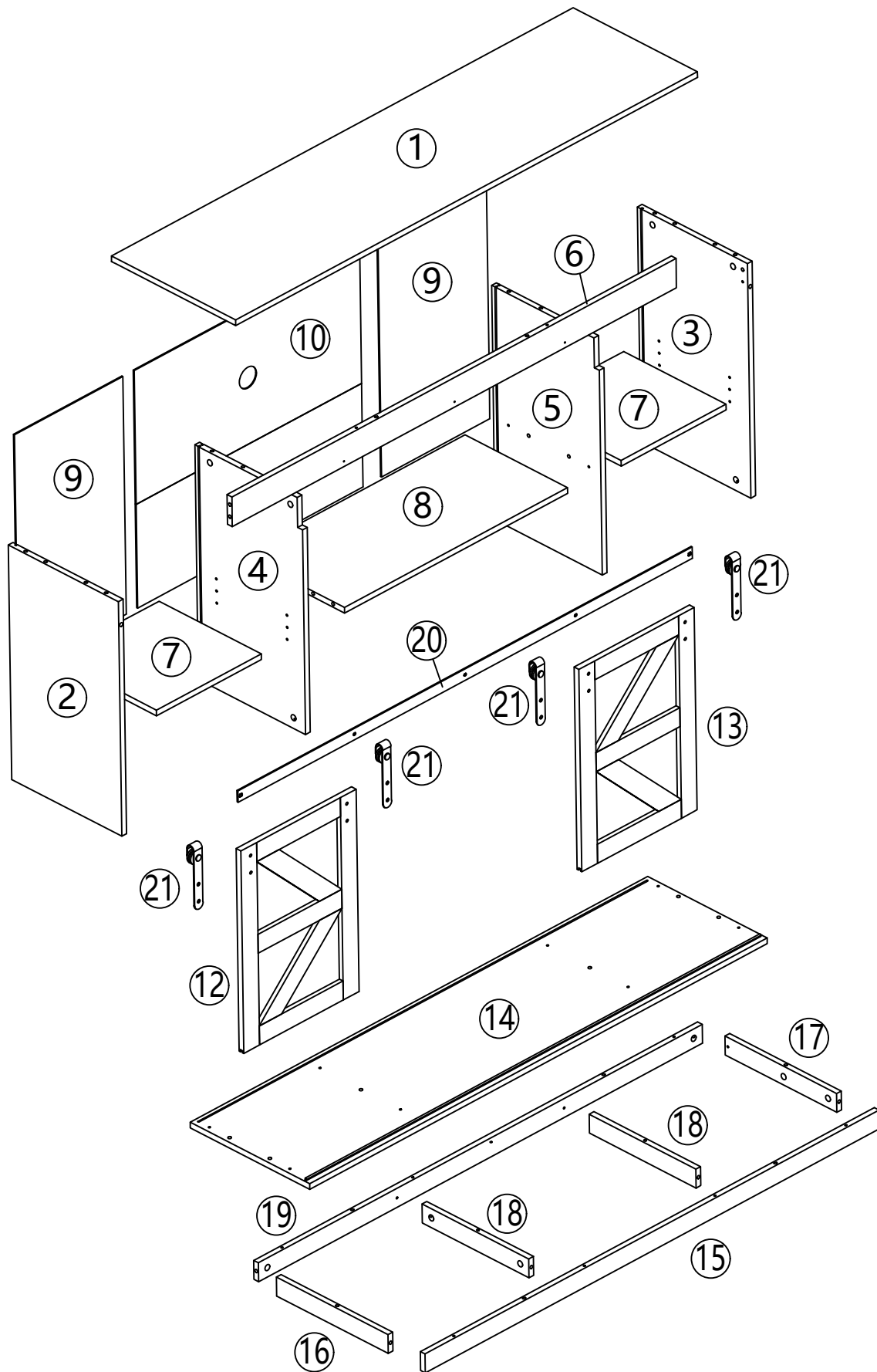
㉑ X4

Cam Lock Fastening System

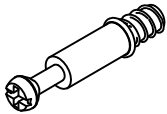

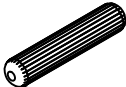

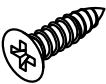
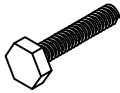




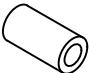


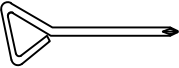
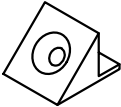
Insert the cam bolt into the hole first, then insert the cam lock and lock it.



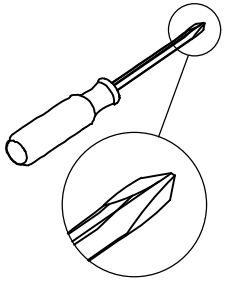
PACKAGE CONTENT

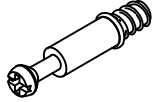


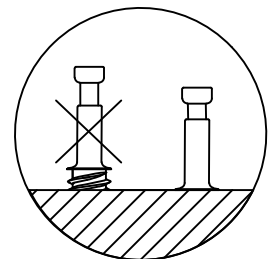
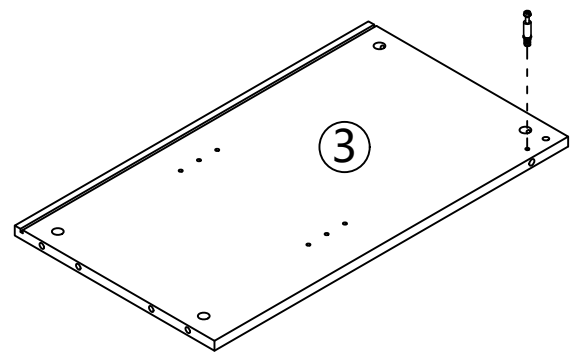
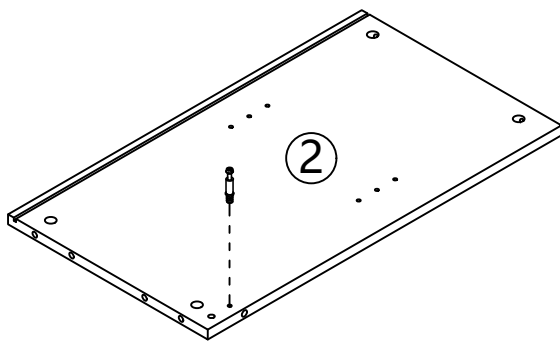
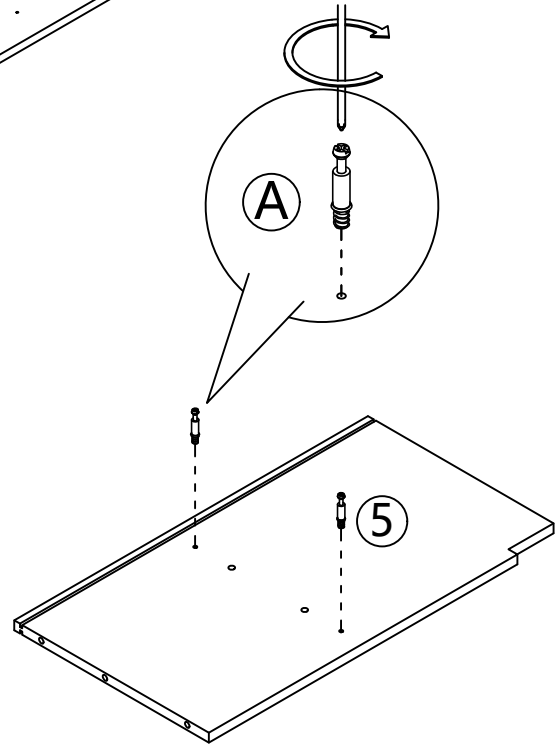
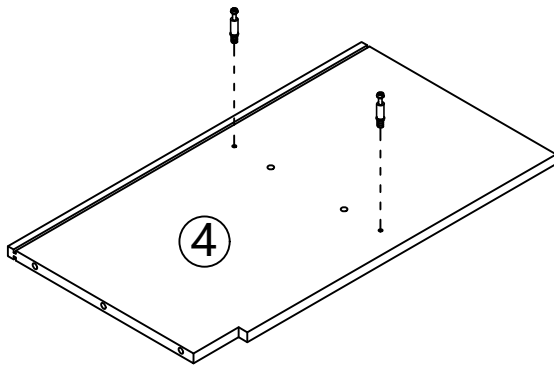
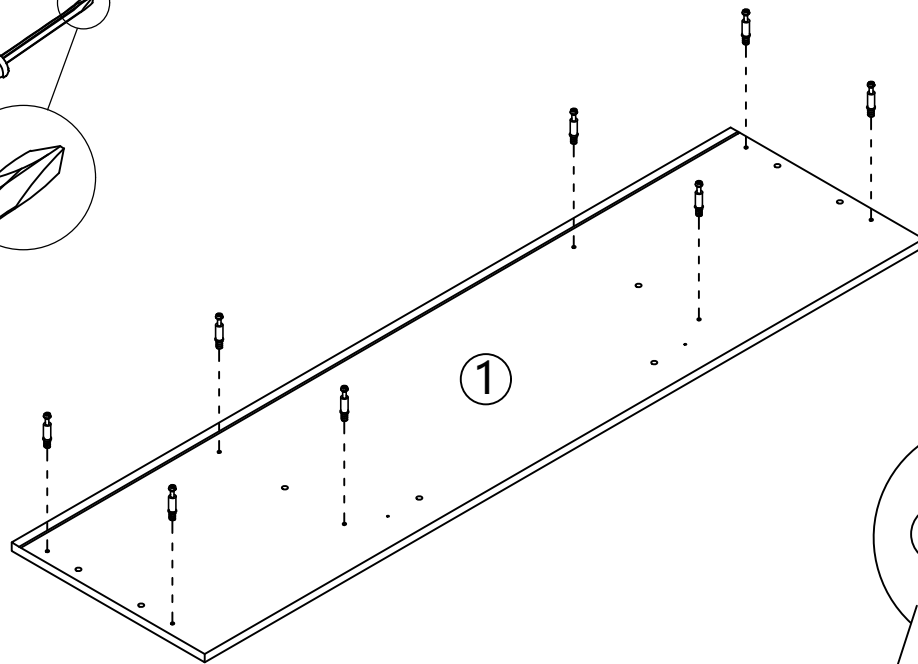
HARDWARE PART LIST

<p>(A) X32+1</p>	<p>(B) X32+1</p>	<p>(C) X24+1</p>	<p>(D) X12+1</p>
			
<p>∅6*35</p>	<p>∅15*11.5</p>	<p>∅8*30</p>	<p>∅4*50</p>
<p>(E) X12+1</p>	<p>(F) X8</p>	<p>(G) X8</p>	<p>(H) X2</p>
			
<p>∅3.5*16</p>	<p>M6*25</p>	<p>M6*10</p>	
<p>(I) X3+1</p>	<p>(J) X2</p>	<p>(K) X3</p>	<p>(L) X2</p>
			
<p>∅4*35</p>	<p>M6*37</p>	<p>∅10*19.5</p>	<p>∅16*10</p>
<p>(M) X8</p>	<p>(N) X1</p>	<p>(O) X12+1</p>	
			
<p>∅5*16</p>	<p>90*30*5</p>		

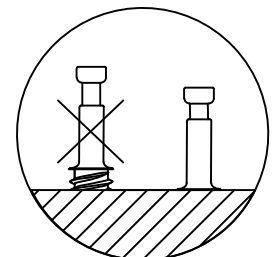
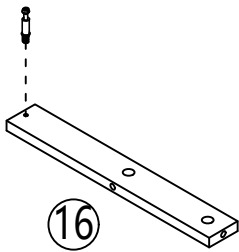
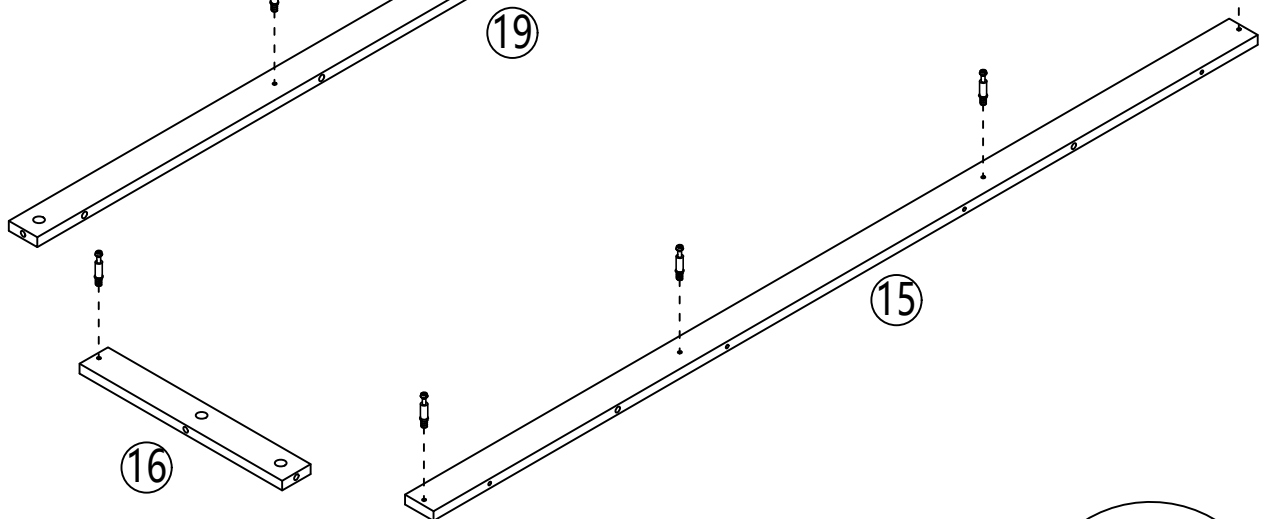
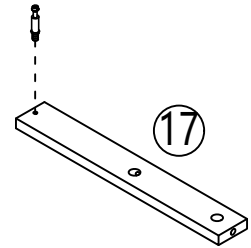
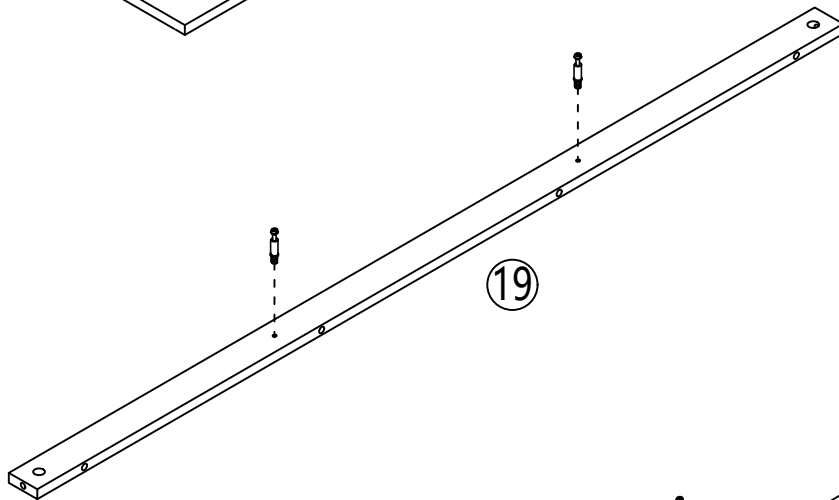
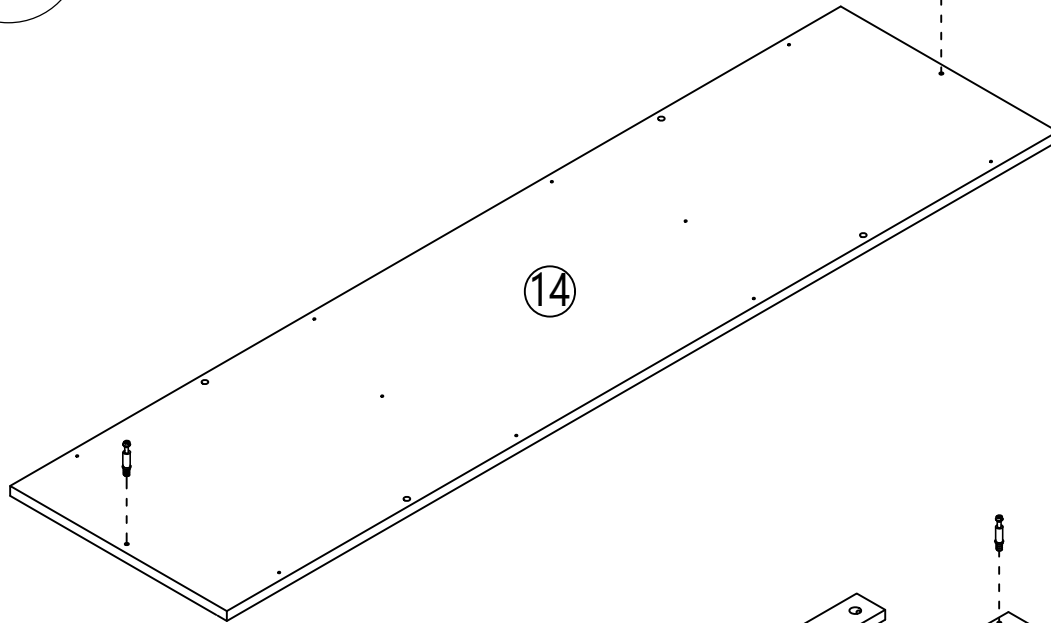
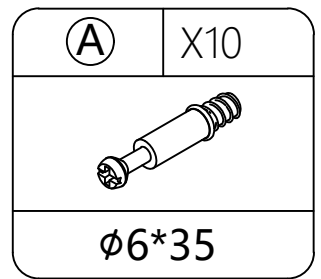
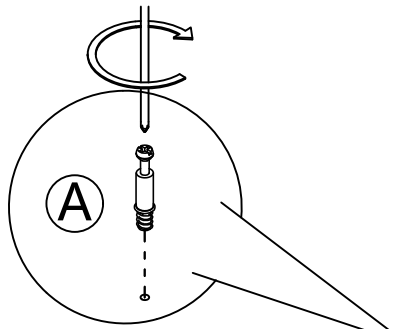
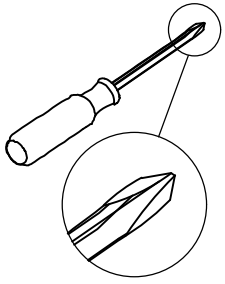
STEP 1




(A)	X14
	
ø6*35	

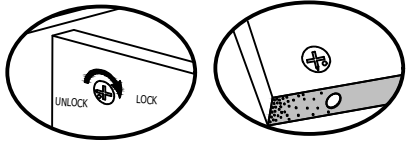
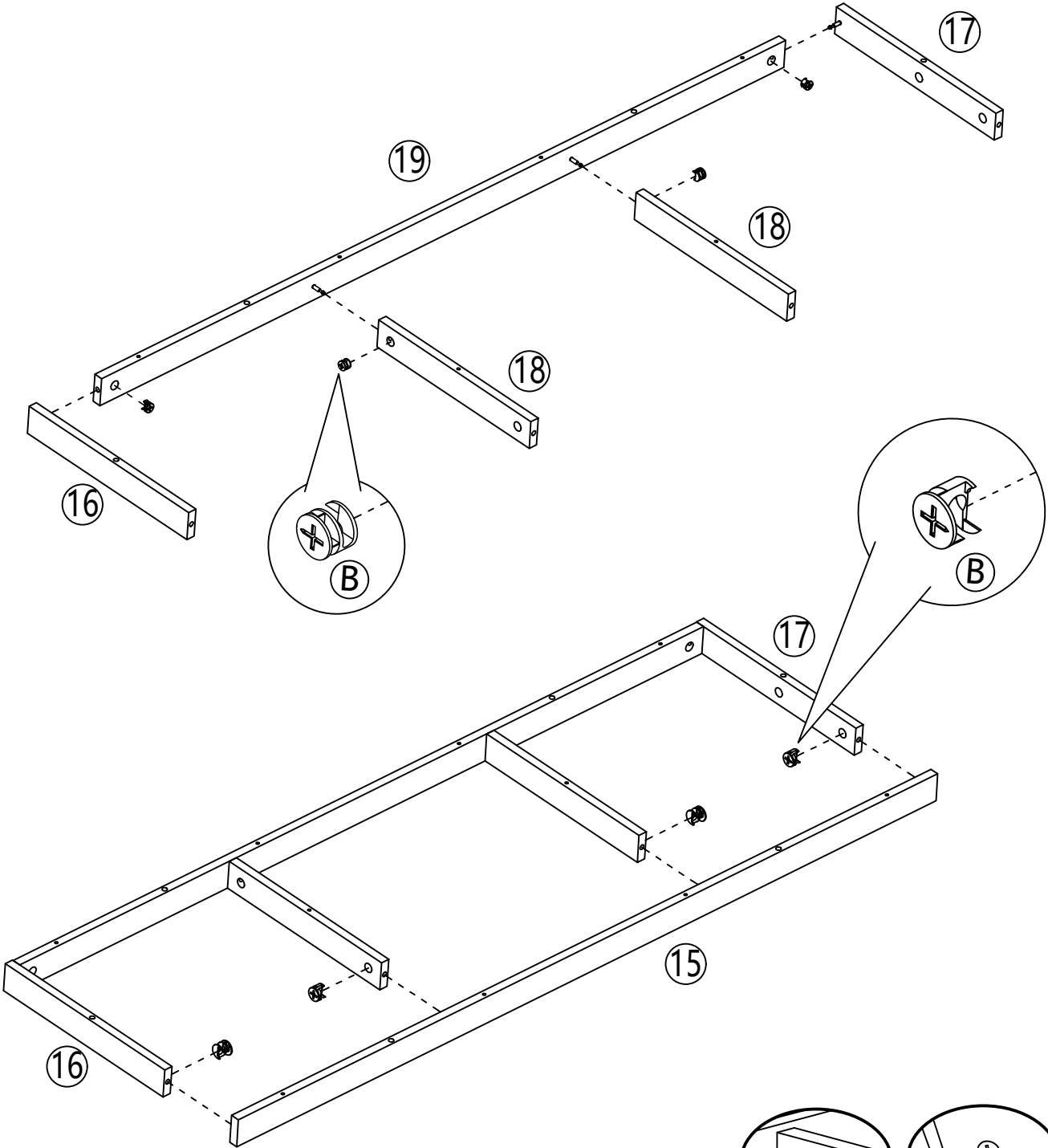
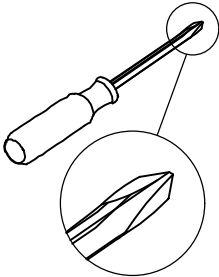


STEP 2



STEP 3

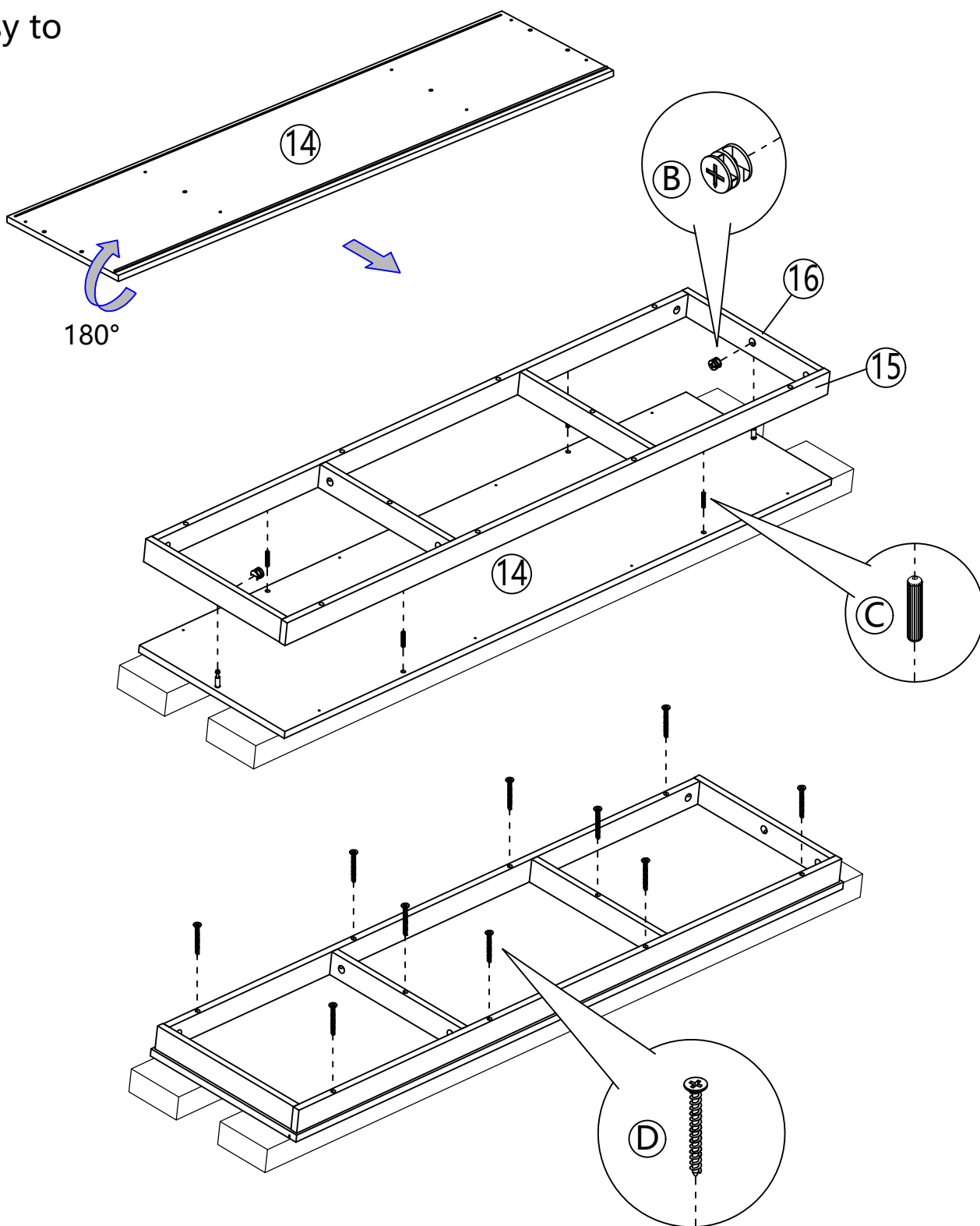
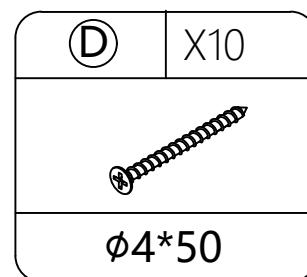
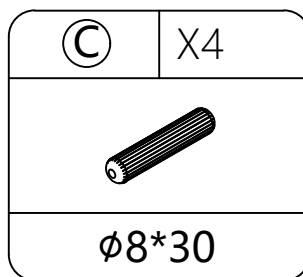
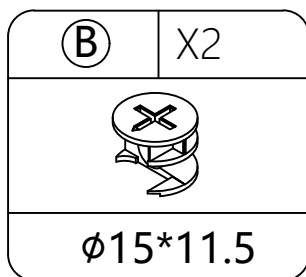
(B)	X8
	
Ø15*11.5	



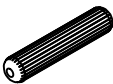
Proper orientation of CAM LOCK

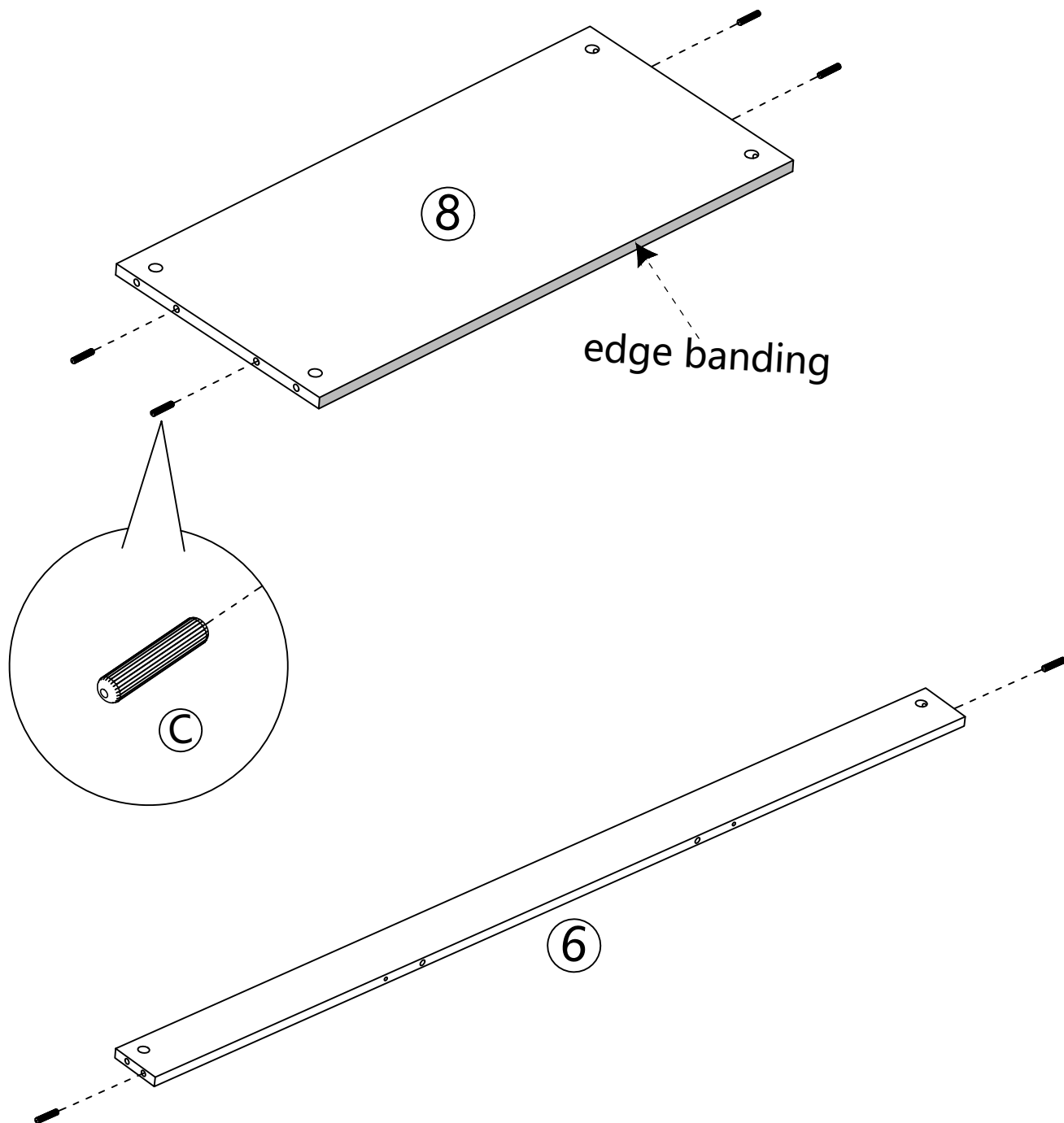
STEP 4

Place two items underneath the product to make the product stable and easy to install



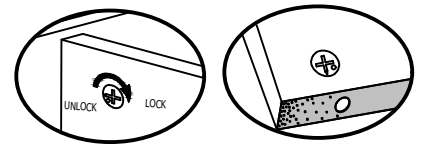
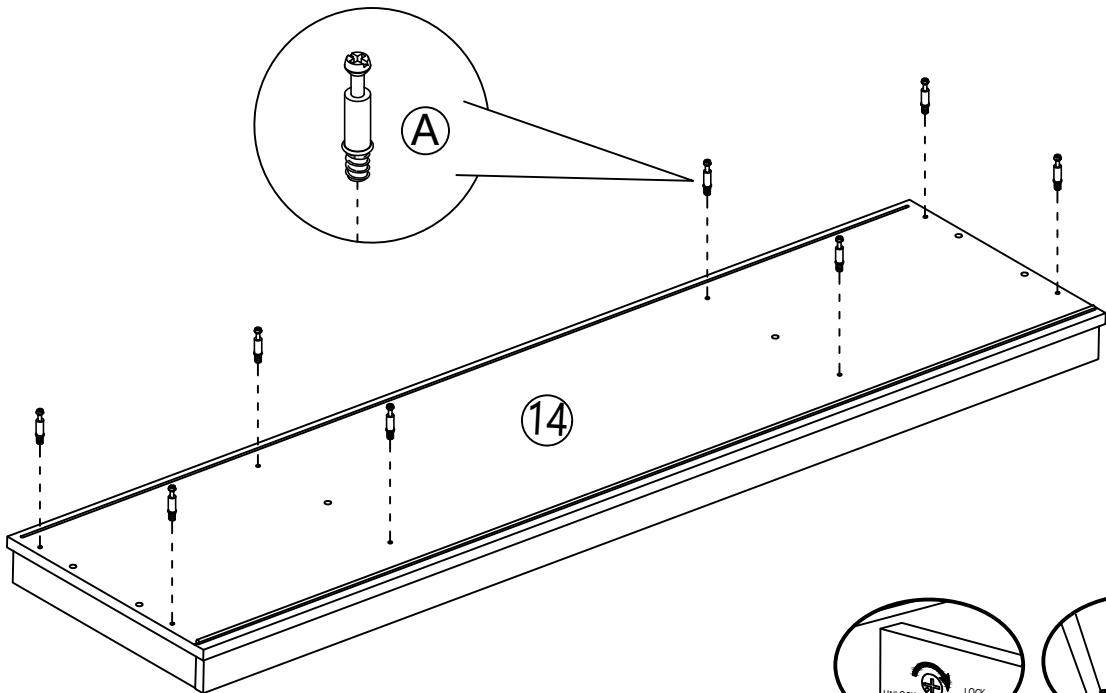
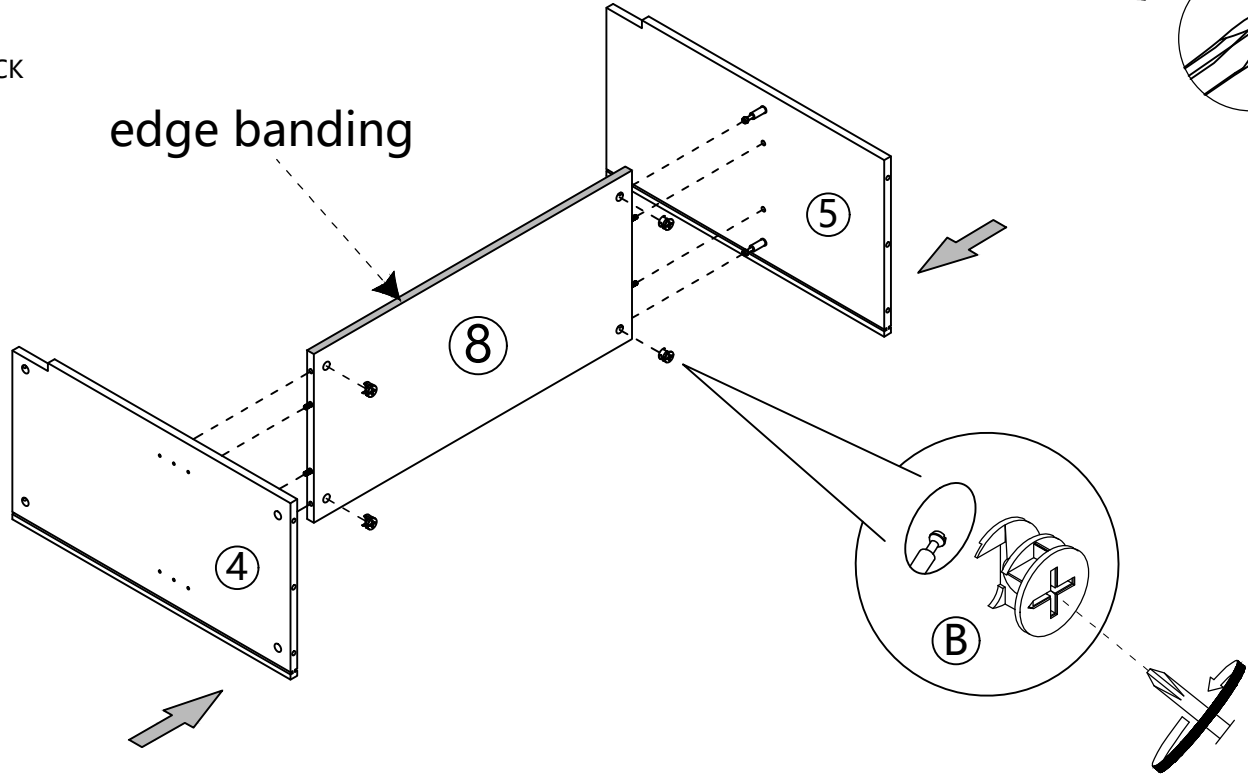
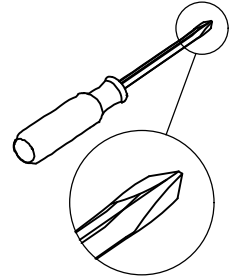
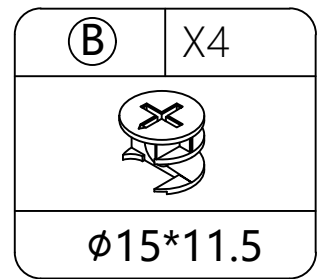
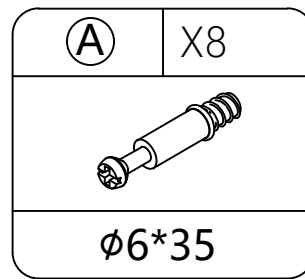
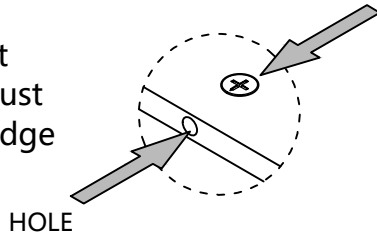
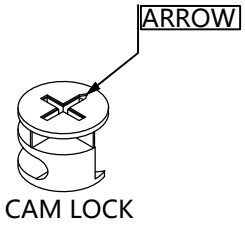
STEP 5

Ⓒ	X6
	
ø8*30	

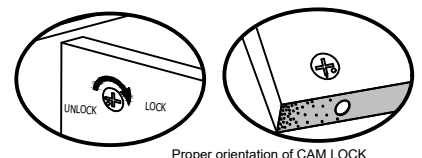
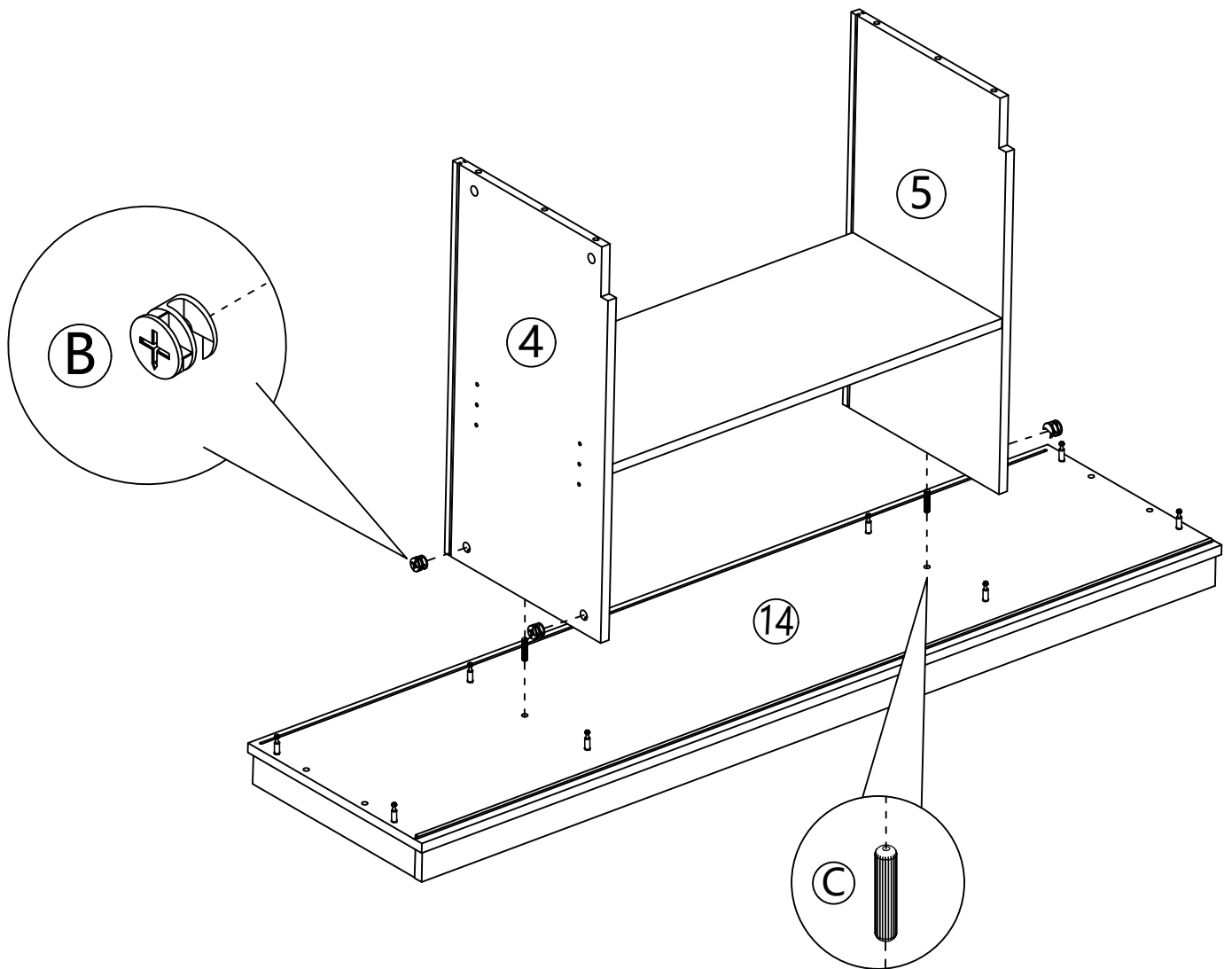
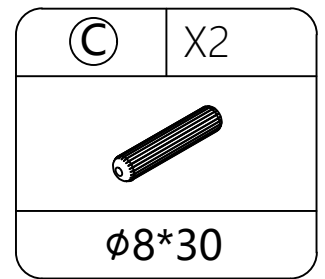
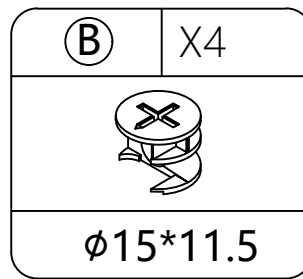
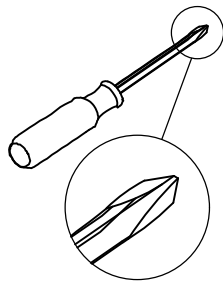


STEP 6

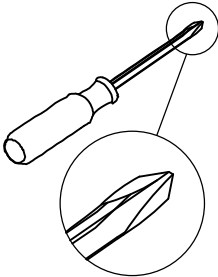
Push a CAM LOCK into the part
The arrow in the CAM LOCK must
point toward the hole on the edge
of the board





STEP 7

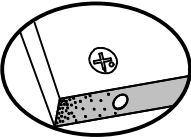
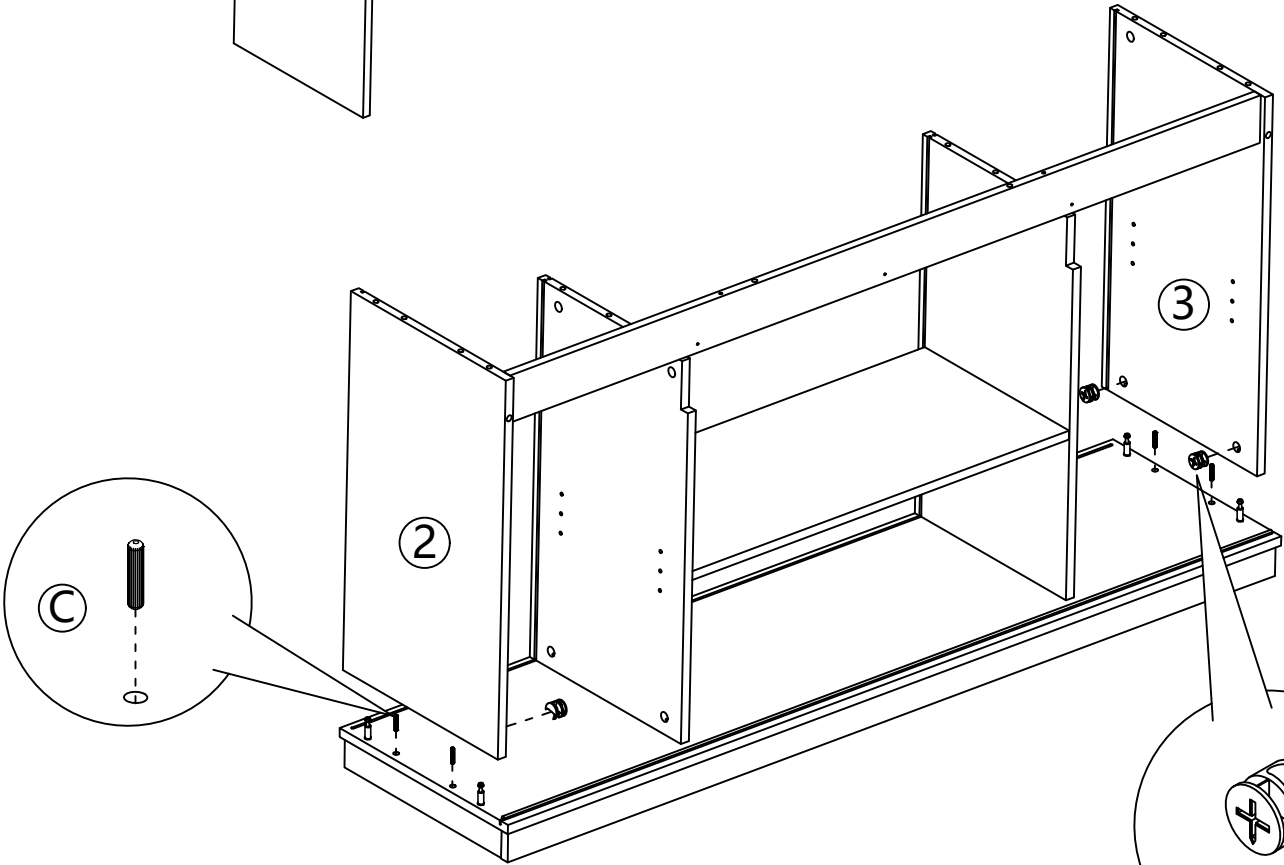
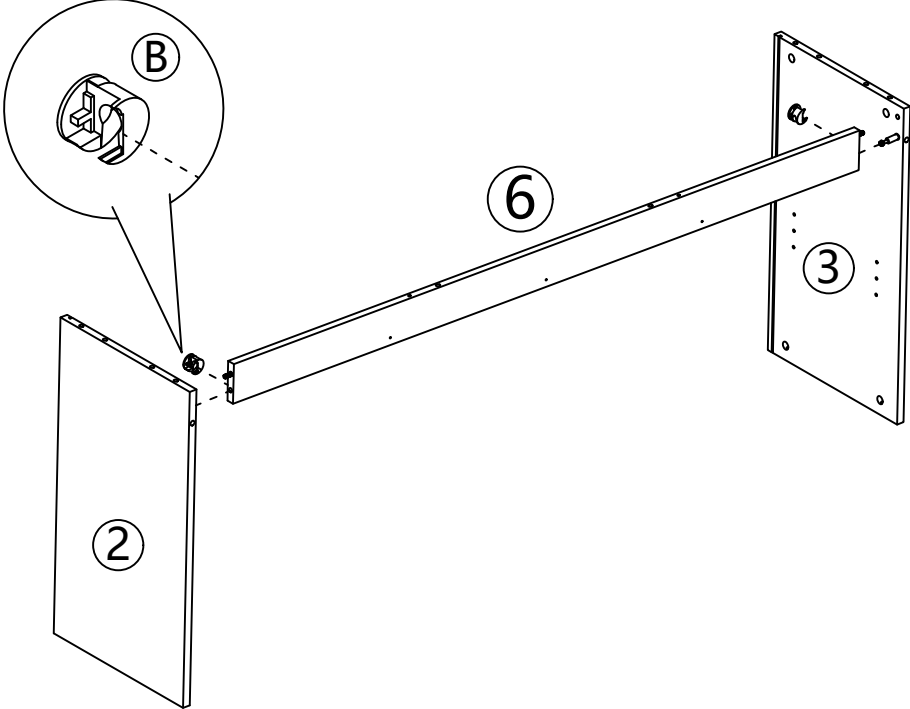


STEP 8



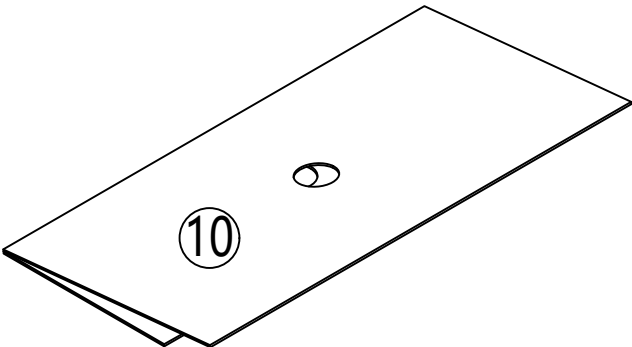
(B)	X6
	
ø15*11.5	

(C)	X4
	
ø8*30	



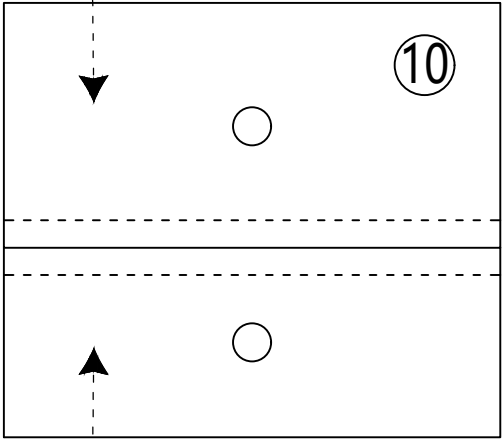
Proper orientation of CAM LOCK

STEP 9

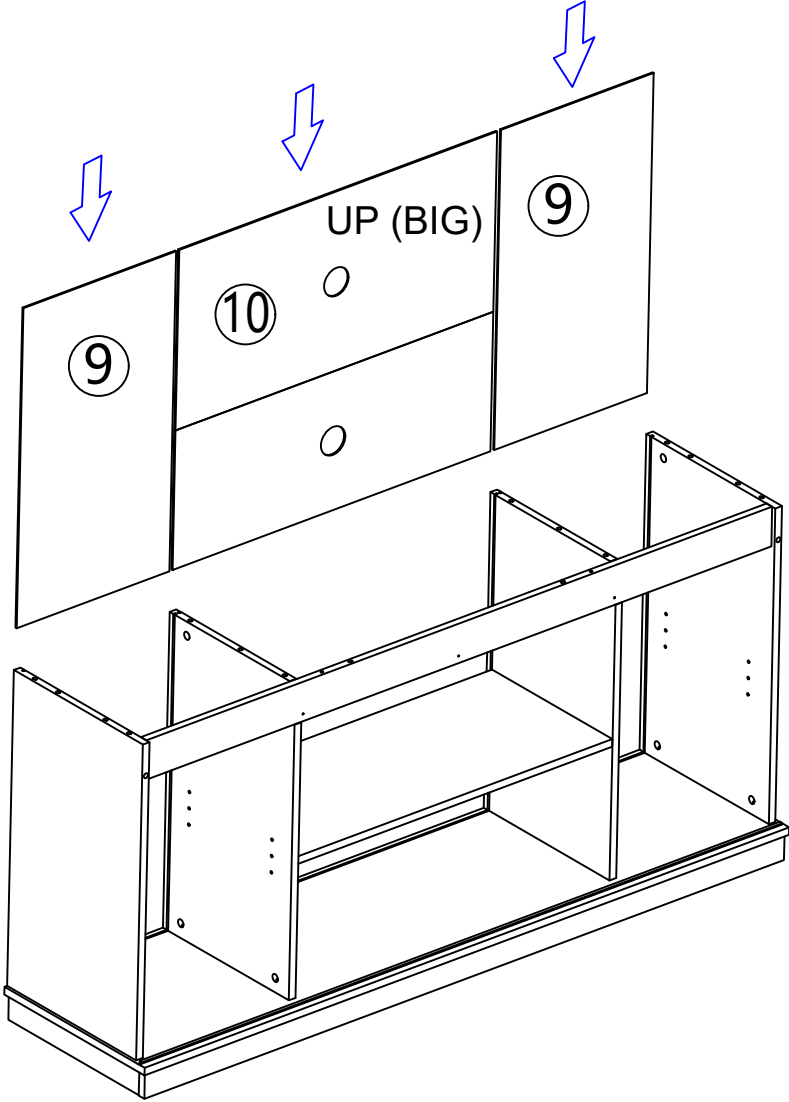


OPEN



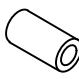

UP (BIG)



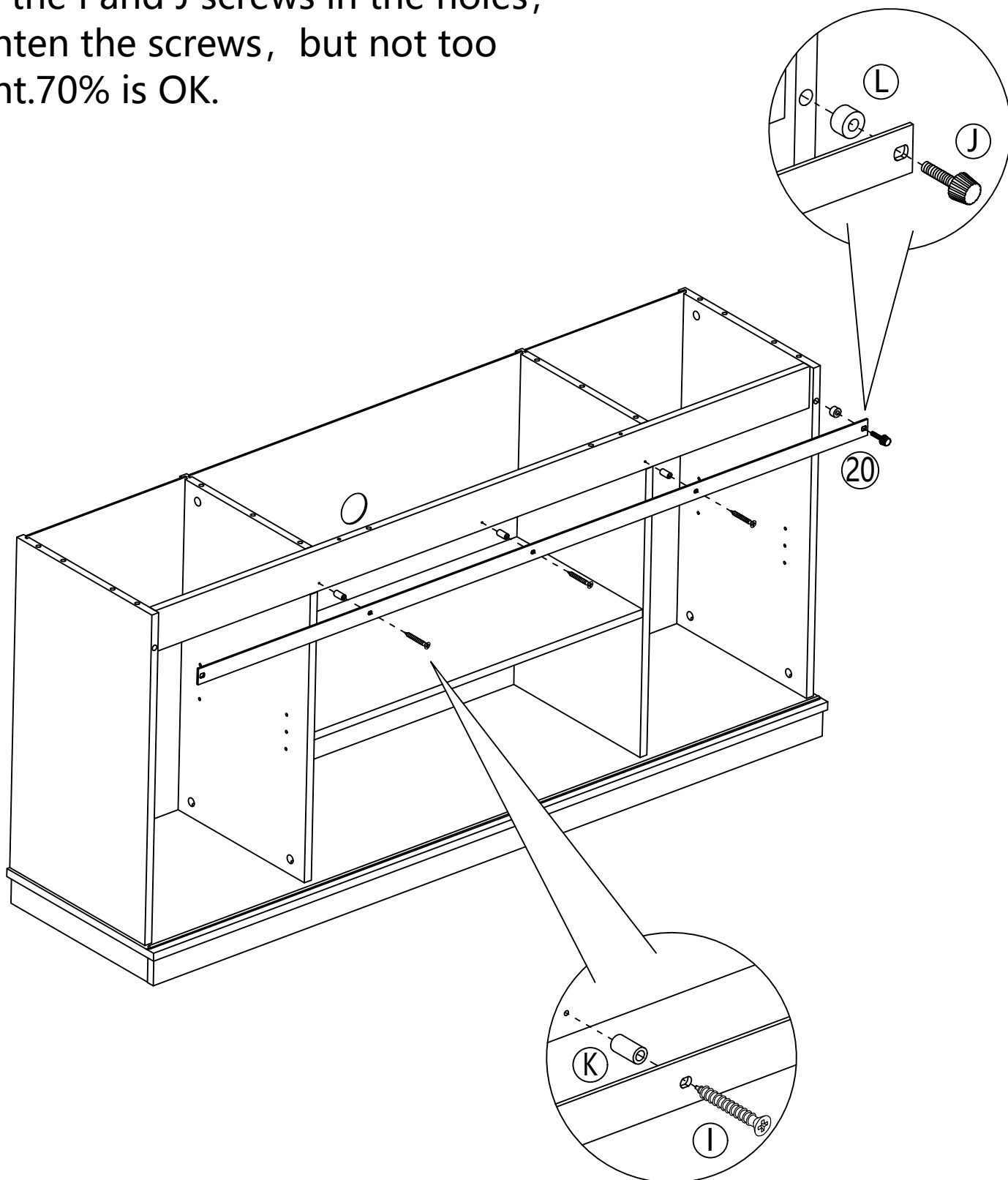
DOWN (SMALL)



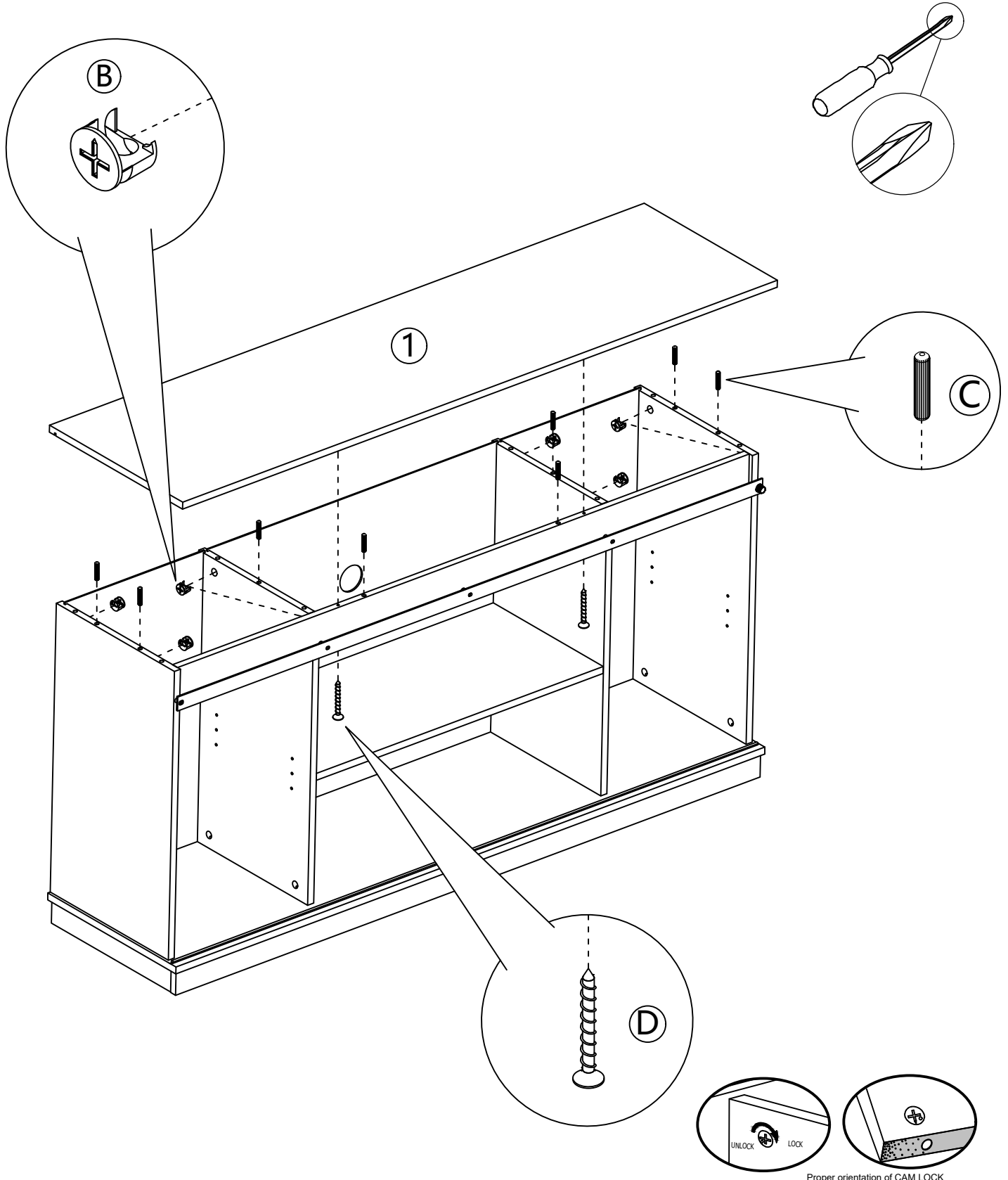
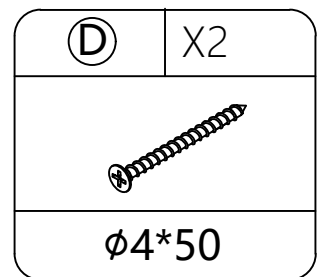
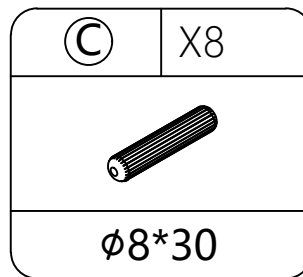
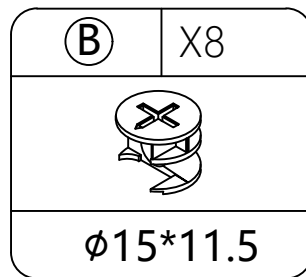
STEP 10

ⓐ	X3	ⓑ	X1	ⓒ	X3	ⓓ	X1
							
∅4*35		M6*37		∅10*19.5		∅16*10	

Put the I and J screws in the holes, tighten the screws, but not too tight. 70% is OK.




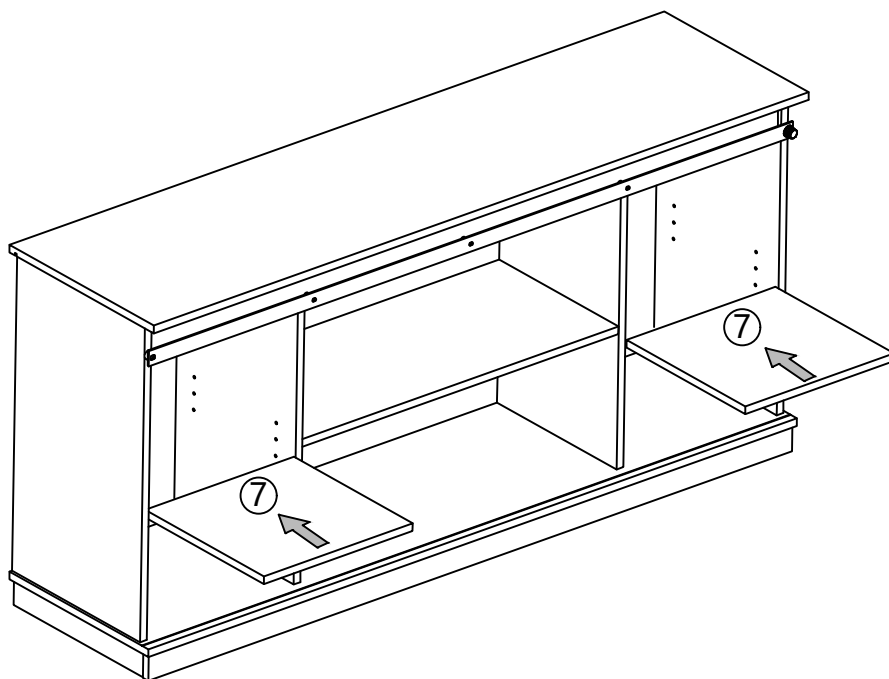
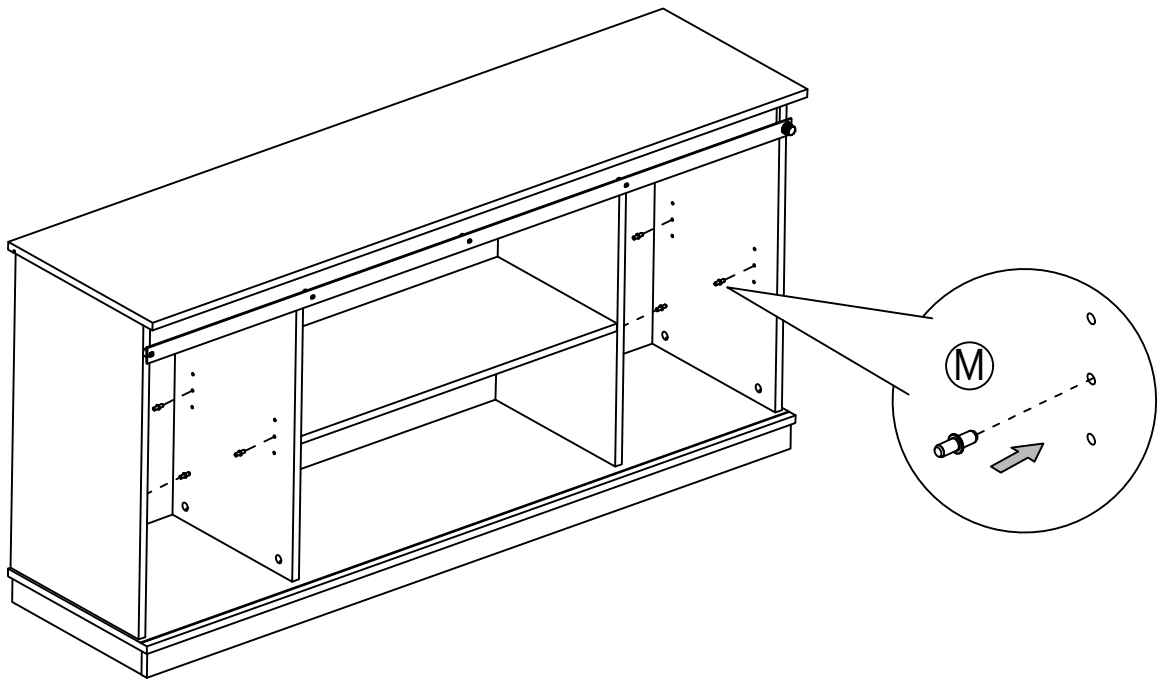
STEP 11



Proper orientation of CAM LOCK

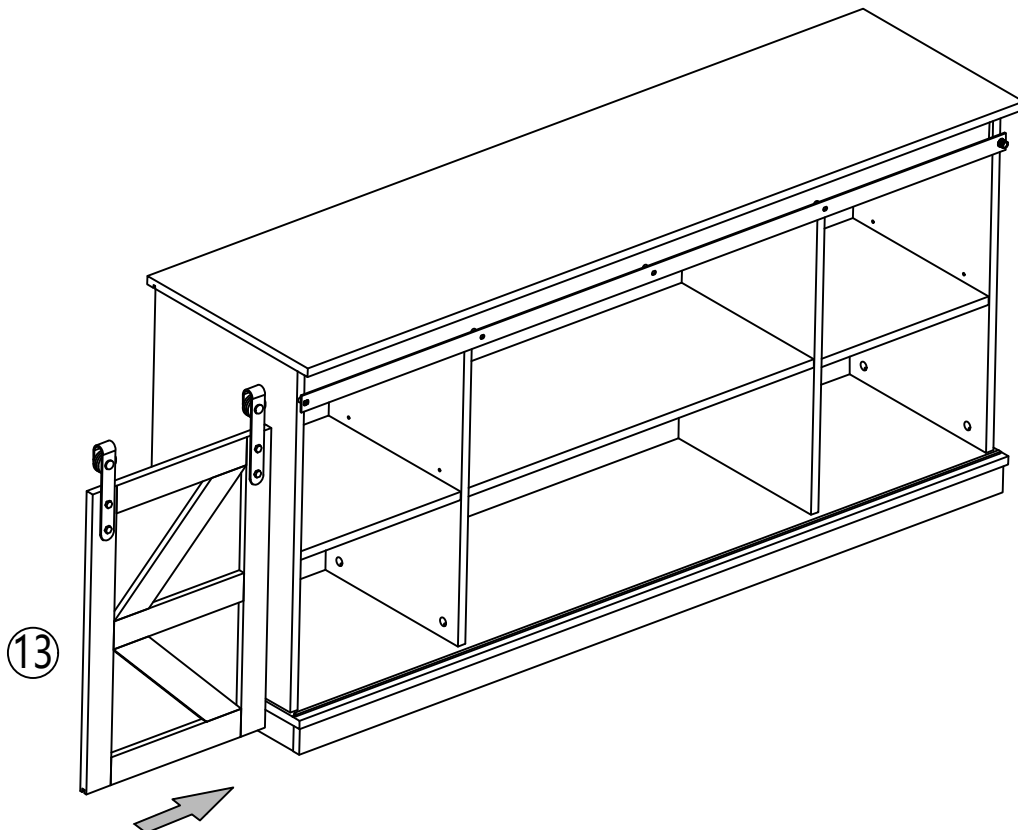
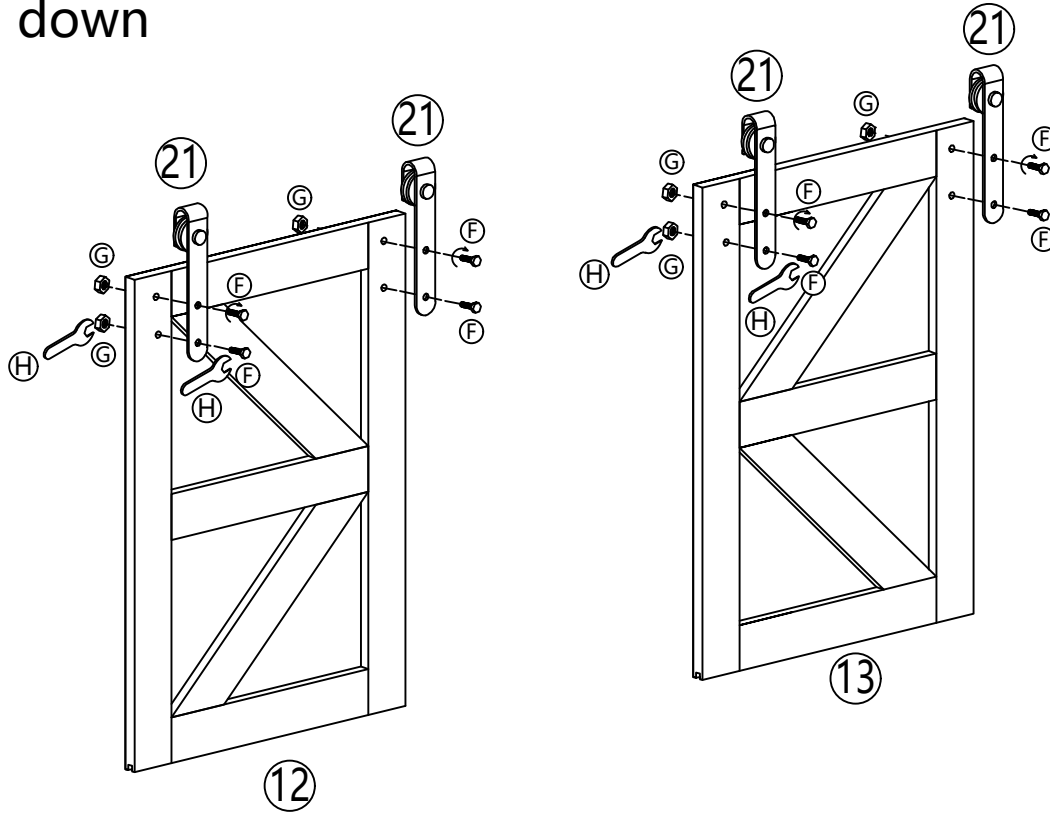
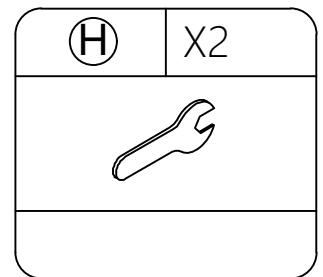
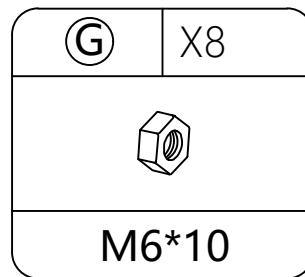
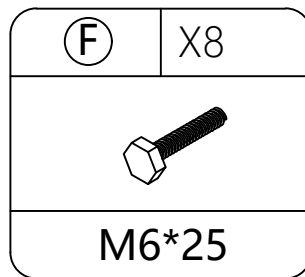
STEP 12

(M)	X8
	
Ø5*16	

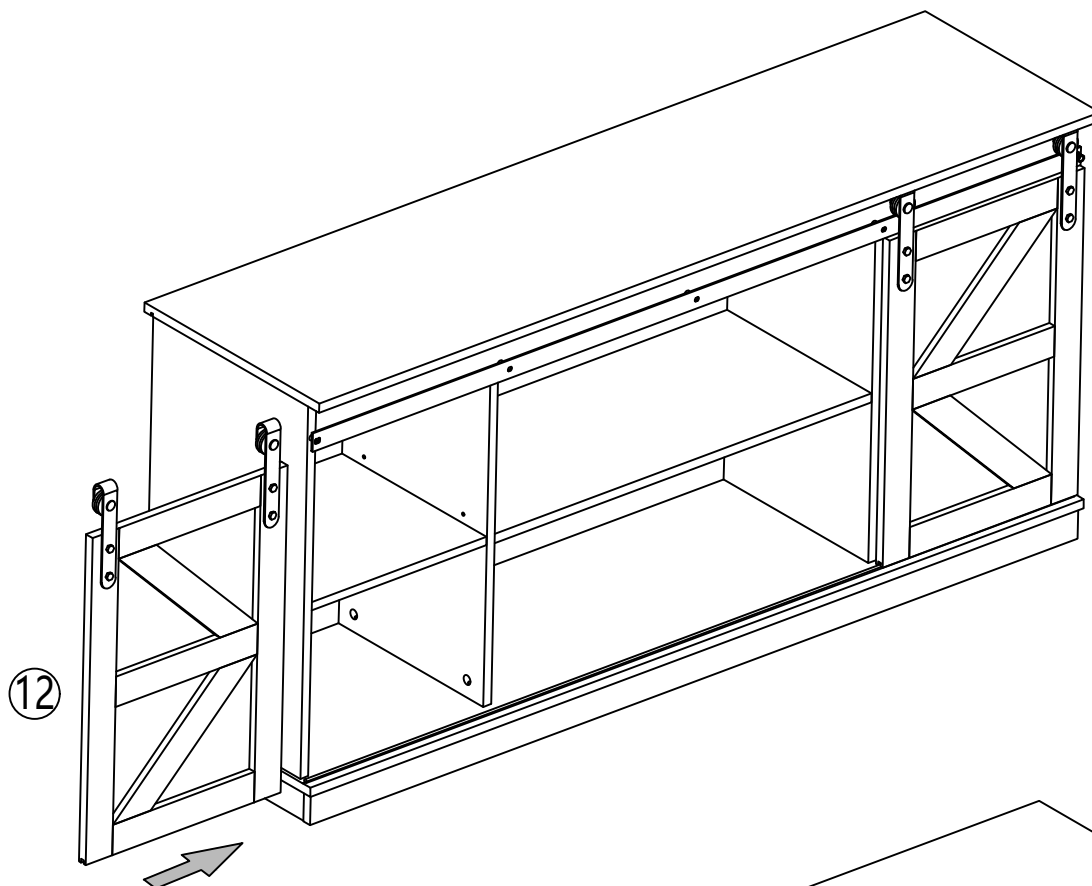
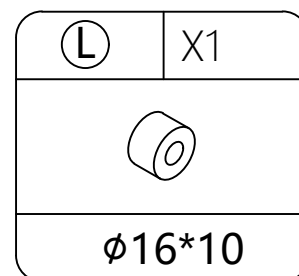
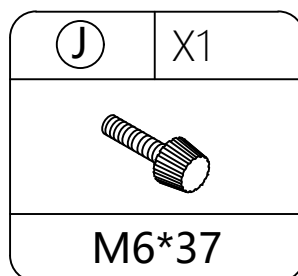


STEP 13

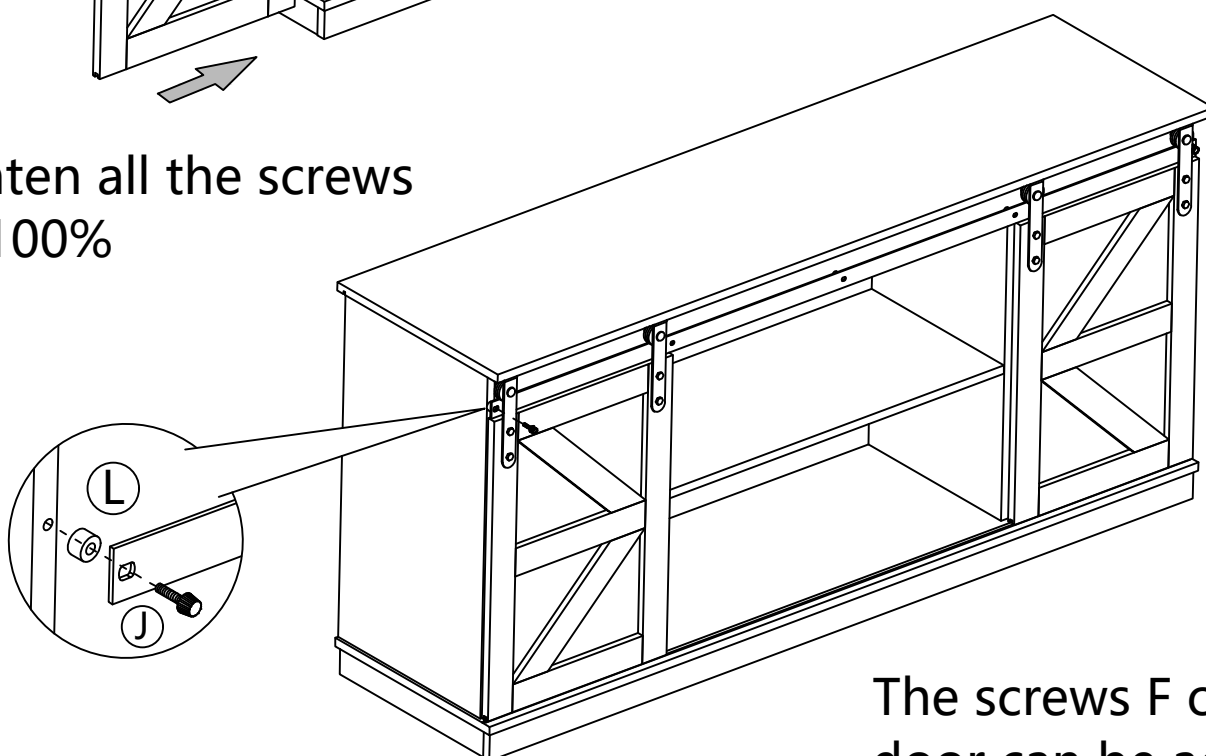
The screws F on the door can be adjusted up and down



STEP 14

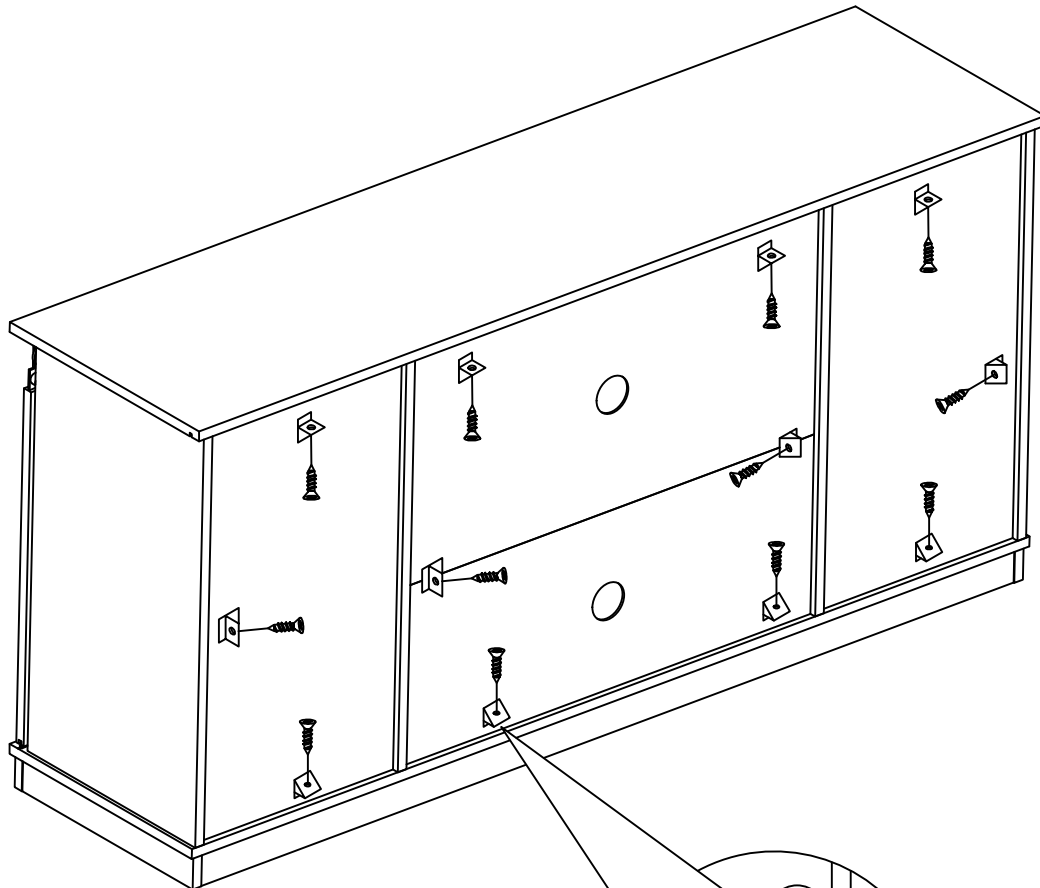
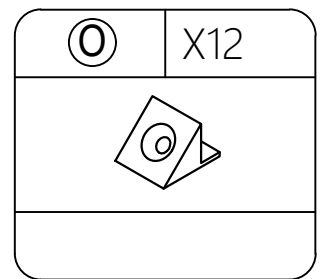
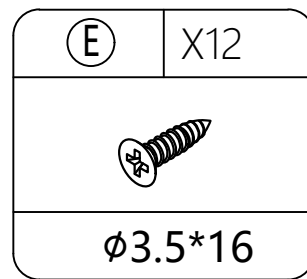


Tighten all the screws
to 100%

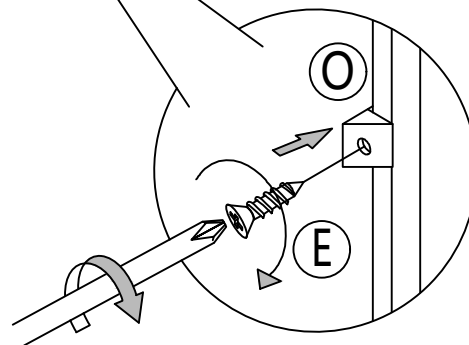


The screws F on the
door can be adjusted
up and down

STEP 15



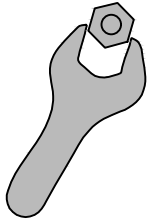
FINISH!



FURNITURE CARE AND MAINTENANCE

Particleboard

Thank you for your purchase. We want your item to last as long as possible. To ensure the product gives you years of service, please refer to this care and maintenance guide.



MAINTENANCE

- . Tighten all bolts and screws again within the first 2 weeks of assembly
- . Check the tightness of all bolts every 2 months, tighten them if necessary



CLEANING

- . Clean the surface of the particleboard with a lightly dampened cloth
- . Small amount of mild soap can be used if necessary
- . Dry the surface immediately after cleaning.

- . DO NOT use bleach or alcohol detergent to clean the surface.
- . DO NOT apply wood treatment on parts made with particleboard.

Particleboard will swell and distort when suffer damage.
Make sure to dry the furniture immediately after cleaning