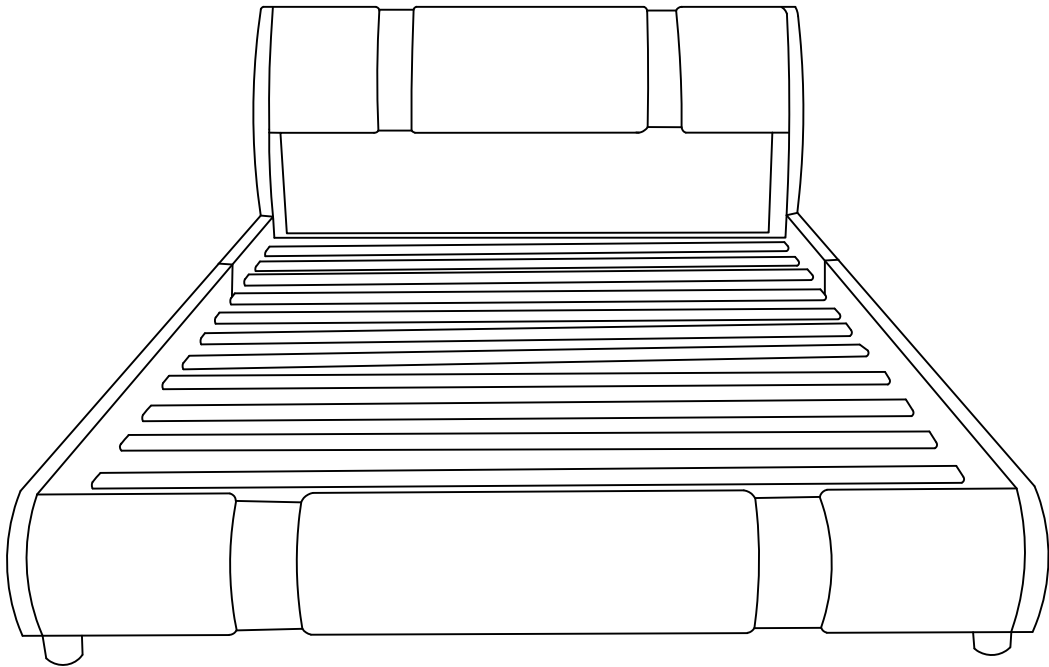


User's Manual

Bed Frame with Headboard



QUEEN

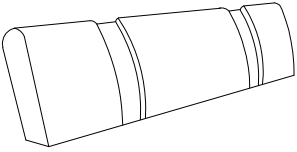





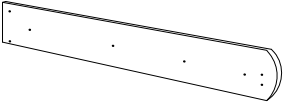
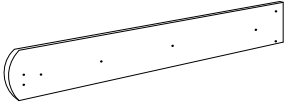

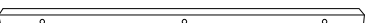
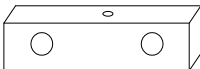

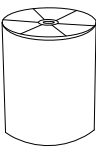
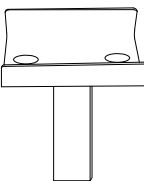
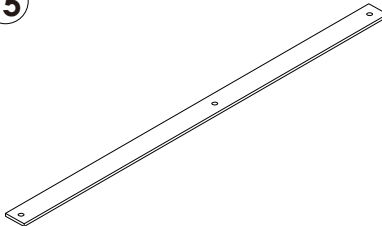
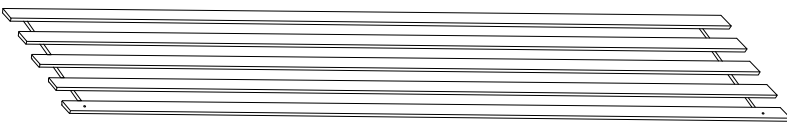
EN | ES

Contact us first if you have any problem, we would do better than Amazon official service. Replacement for missing, damaged parts, we will ship its ASAP!

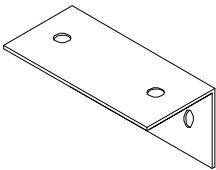
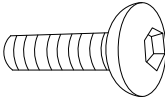
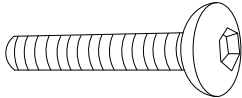
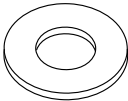
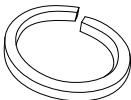

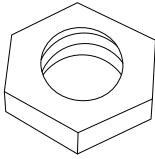
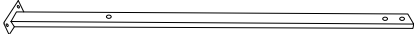
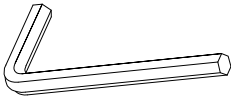


EN | ES

Si tiene algún problema con su producto o pedido, póngase en contacto con nosotros antes de consultar con el servicio de atención al cliente de Amazon, le resolveremos su problema con mayor brevedad. ¡Reemplazamos piezas perdidas o dañadas enviándolas rápidamente

Parts List(EN) / Teile Liste(DE)

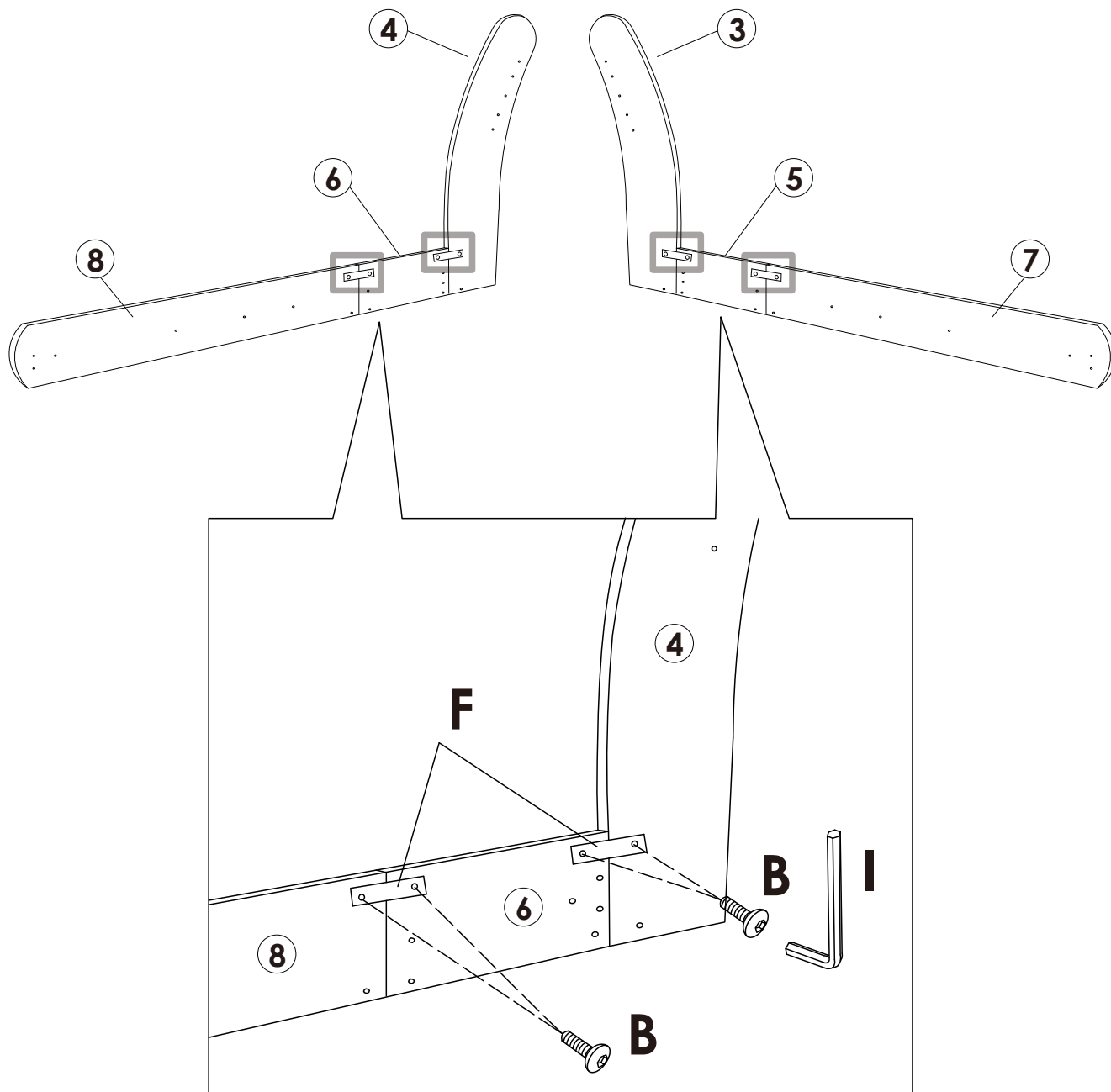
1  <div style="text-align: right; border: 1px solid black; padding: 2px;">1PC</div>	2  <div style="text-align: right; border: 1px solid black; padding: 2px;">1PC</div>	3  <div style="text-align: right; border: 1px solid black; padding: 2px;">1PC</div>
4  <div style="text-align: right; border: 1px solid black; padding: 2px;">1PC</div>	5  <div style="text-align: right; border: 1px solid black; padding: 2px;">1PC</div>	6  <div style="text-align: right; border: 1px solid black; padding: 2px;">1PC</div>
7  <div style="text-align: right; border: 1px solid black; padding: 2px;">1PC</div>	8  <div style="text-align: right; border: 1px solid black; padding: 2px;">1PC</div>	9  <div style="text-align: right; border: 1px solid black; padding: 2px;">1PC</div>
10  <div style="text-align: right; border: 1px solid black; padding: 2px;">4PCS</div>	11  <div style="text-align: right; border: 1px solid black; padding: 2px;">4PCS</div>	12  <div style="text-align: right; border: 1px solid black; padding: 2px;">2PCS</div>
13  <div style="text-align: right; border: 1px solid black; padding: 2px;">6PCS</div>	14  <div style="text-align: right; border: 1px solid black; padding: 2px;">1PC</div>	15  <div style="text-align: right; border: 1px solid black; padding: 2px;">2PCS</div>
16  <div style="text-align: right; border: 1px solid black; padding: 2px;">2PCS</div>		




Parts List(EN) / Teile Liste(DE)

<p>A</p>  <div style="text-align: right; border: 1px solid black; padding: 2px; width: fit-content; margin-left: auto;">8PCS</div>	<p>B</p>  <div style="text-align: center; margin-bottom: 5px;">M6×20mm</div> <div style="text-align: right; border: 1px solid black; padding: 2px; width: fit-content; margin-left: auto;">44+2PCS</div>	<p>C</p>  <div style="text-align: center; margin-bottom: 5px;">M6×45mm</div> <div style="text-align: right; border: 1px solid black; padding: 2px; width: fit-content; margin-left: auto;">26+2PCS</div>
<p>D</p>  <div style="text-align: center; margin-bottom: 5px;">Ø6×18mm</div> <div style="text-align: right; border: 1px solid black; padding: 2px; width: fit-content; margin-left: auto;">36+2PCS</div>	<p>E</p>  <div style="text-align: right; border: 1px solid black; padding: 2px; width: fit-content; margin-left: auto;">32+2PCS</div>	<p>F</p>  <div style="text-align: right; border: 1px solid black; padding: 2px; width: fit-content; margin-left: auto;">4PCS</div>
<p>G</p>  <div style="text-align: right; border: 1px solid black; padding: 2px; width: fit-content; margin-left: auto;">4PCS</div>	<p>H</p>  <div style="text-align: right; border: 1px solid black; padding: 2px; width: fit-content; margin-left: auto;">2PCS</div>	<p>I</p>  <div style="text-align: center; margin-bottom: 5px;">M6</div> <div style="text-align: right; border: 1px solid black; padding: 2px; width: fit-content; margin-left: auto;">1PC</div>
<p>J</p>  <div style="text-align: center; margin-bottom: 5px;">M5×55mm</div> <div style="text-align: right; border: 1px solid black; padding: 2px; width: fit-content; margin-left: auto;">6PCS</div>	<p>K</p>  <div style="text-align: center; margin-bottom: 5px;">M4×25mm</div> <div style="text-align: right; border: 1px solid black; padding: 2px; width: fit-content; margin-left: auto;">8+1PCS</div>	

Assembly Steps(EN) / Montageschritte(DE)

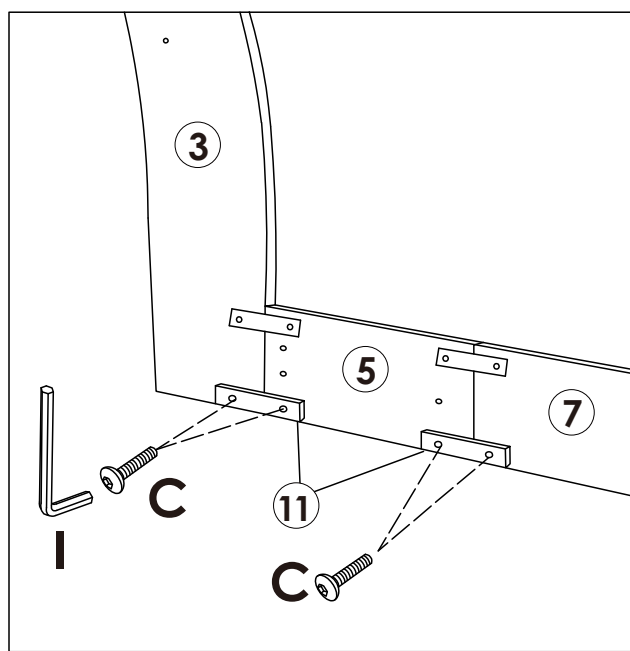
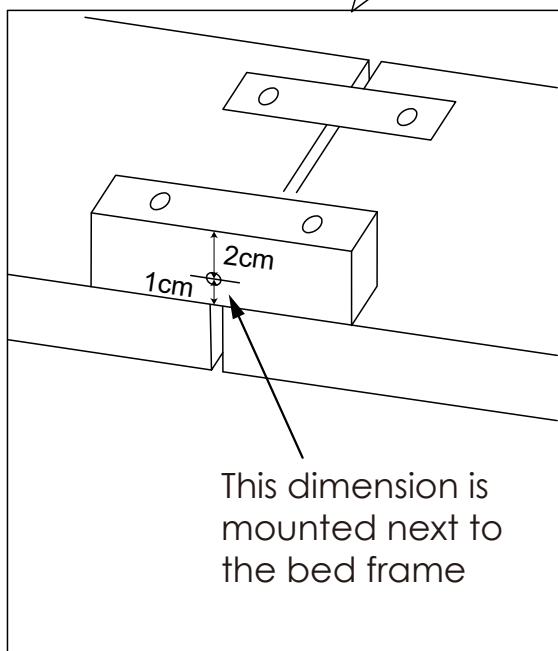
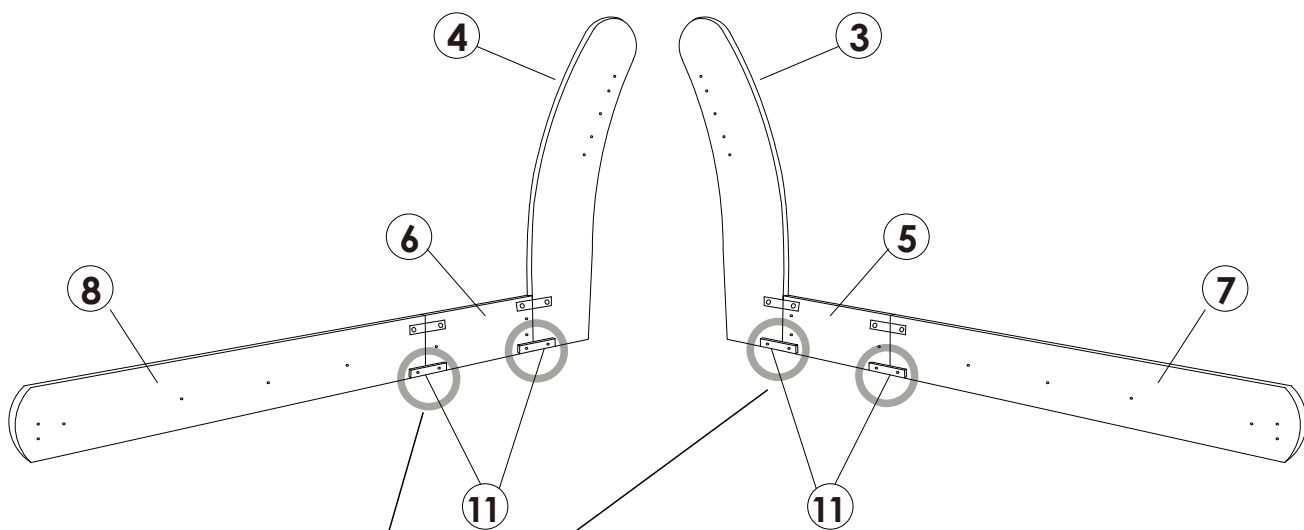
STEP 1





	B x 8PCS
	F x 4PCS
	I x 1PC

Assembly Steps(EN) / Montageschritte(DE)

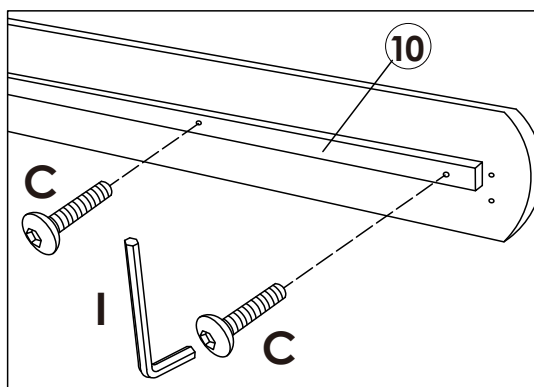
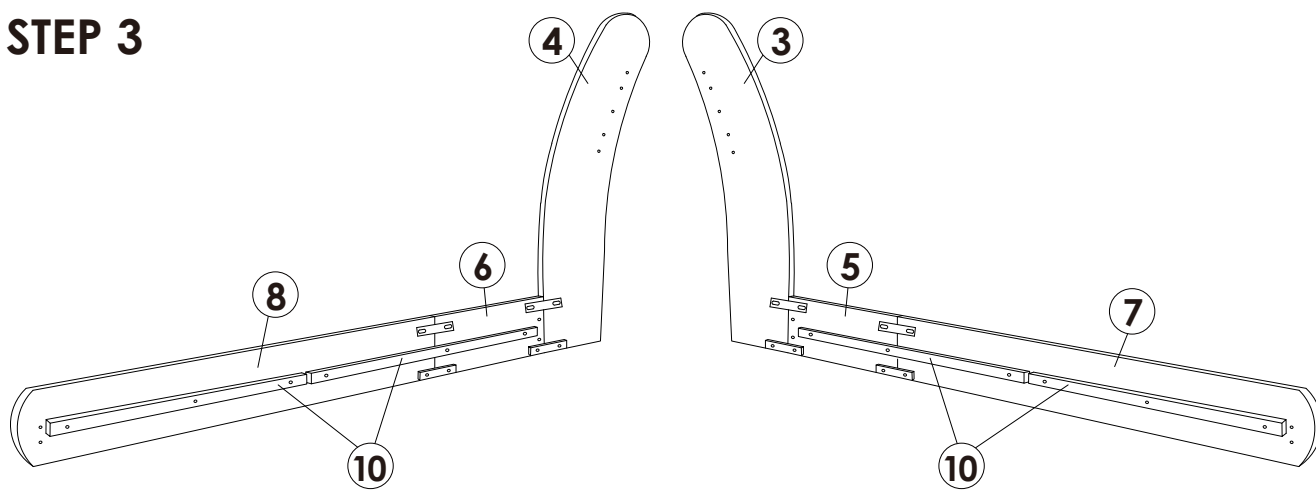
STEP 2

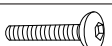



	C x 8PCS
	I x 1PC

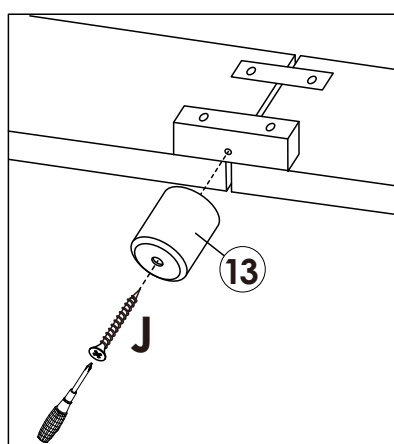
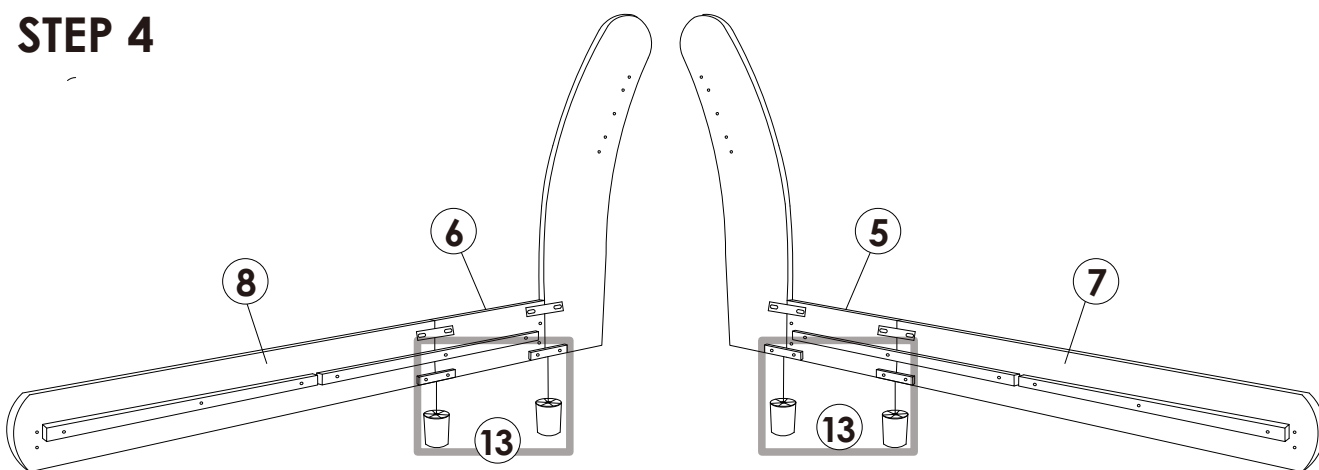
Assembly Steps(EN) / Montageschritte(DE)


STEP 3



	C x 12PCS
	I x 1PC

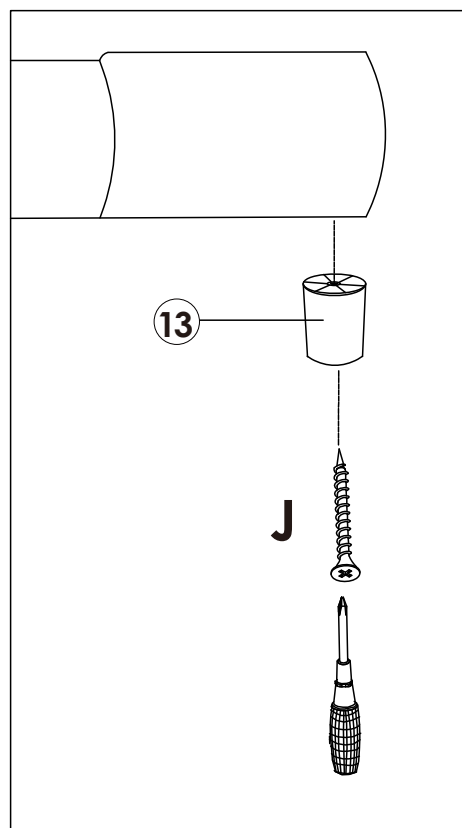
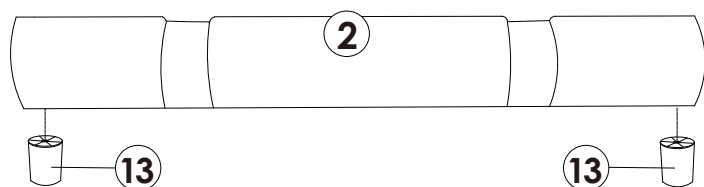
STEP 4



	J x 4PCS
---	----------

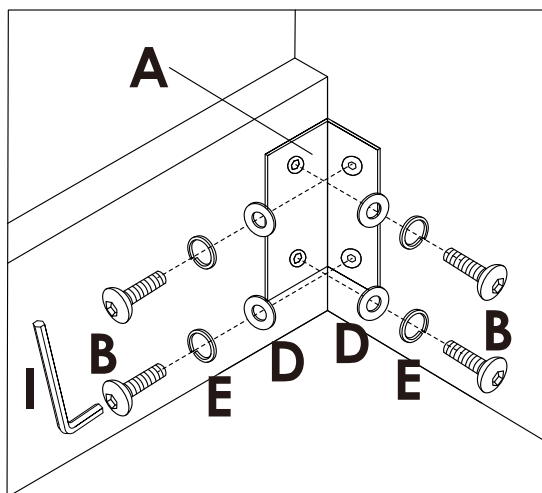
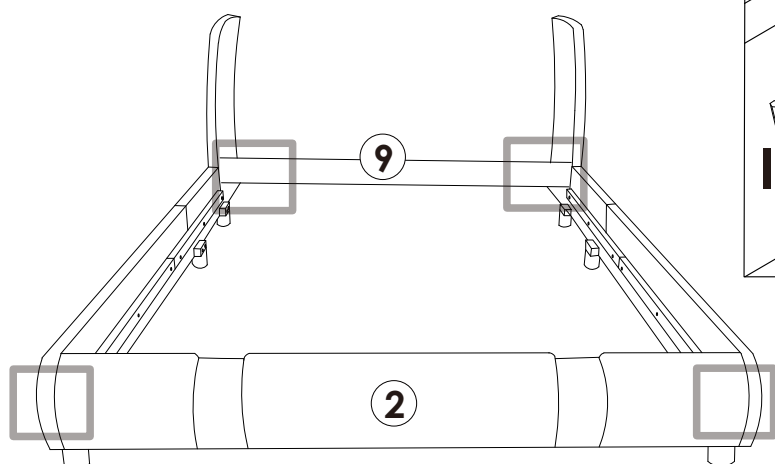
Assembly Steps(EN) / Montageschritte(DE)

STEP 5



J x 2PCS

STEP 6



A x 4PCS



B x 16PCS



E x 16PCS



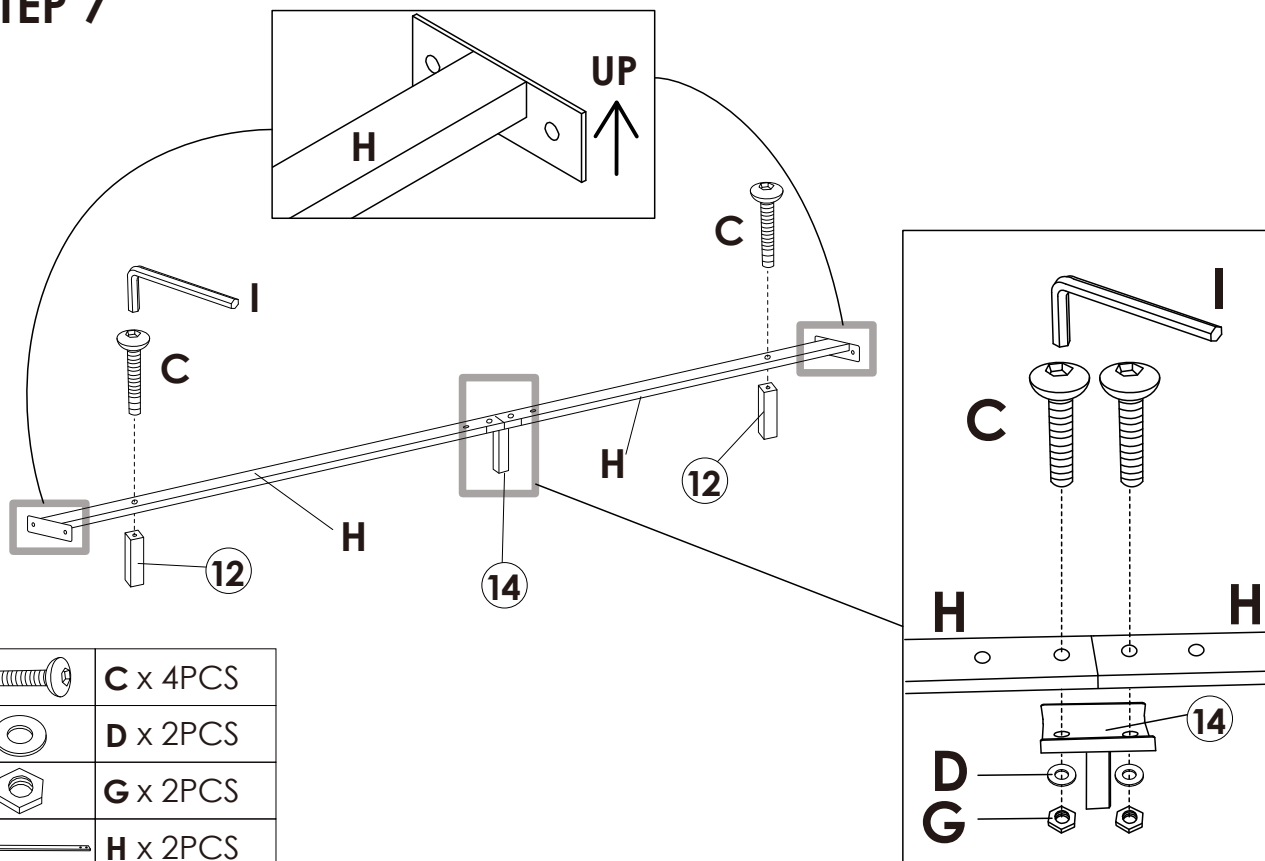
D x 16PCS



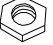




I x 1PC

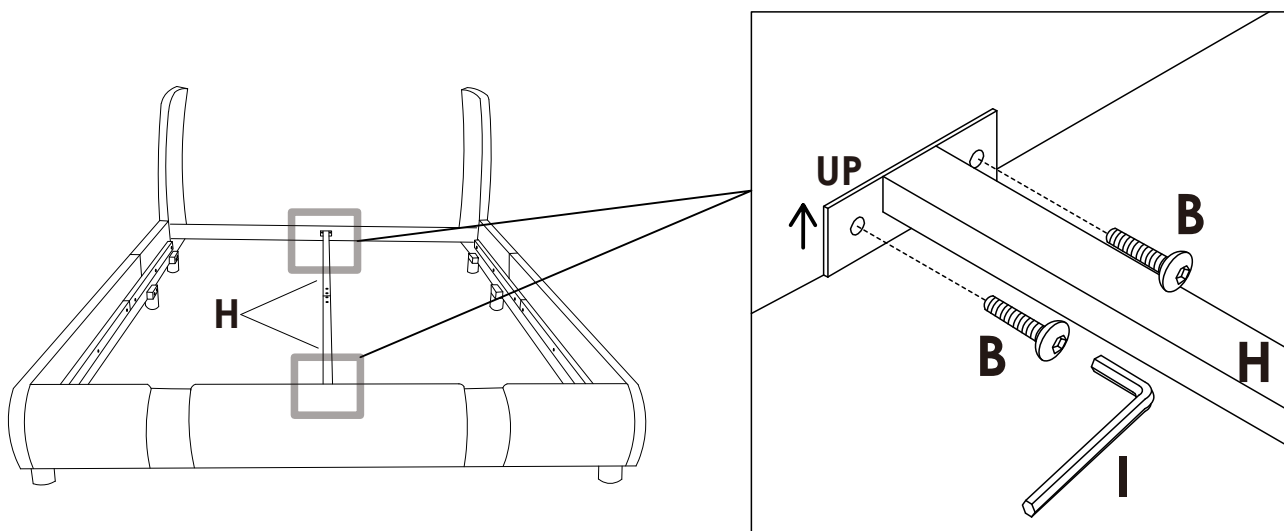
Assembly Steps(EN) / Montageschritte(DE)


STEP 7



	C x 4PCS
	D x 2PCS
	G x 2PCS
	H x 2PCS
	I x 1PC

STEP 8

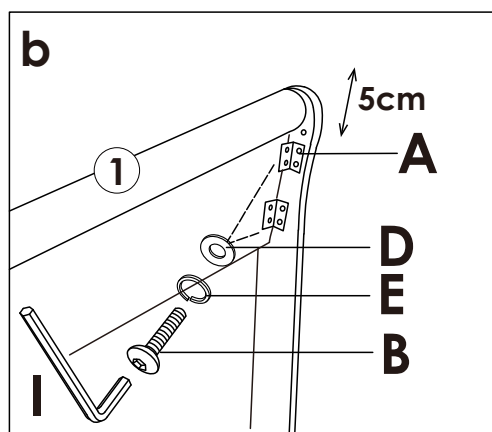
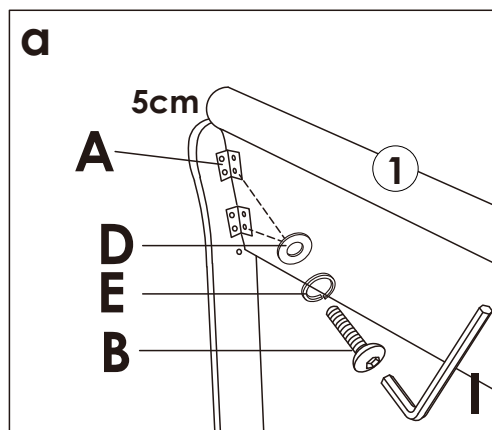
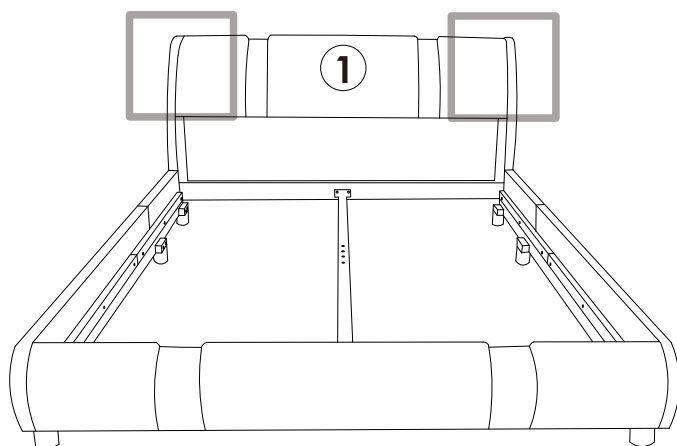


	B x 4PCS
	I x 1PC

Assembly Steps(EN) / Montageschritte(DE)

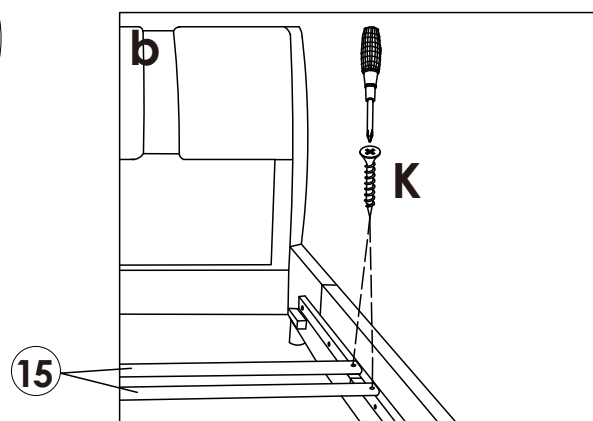
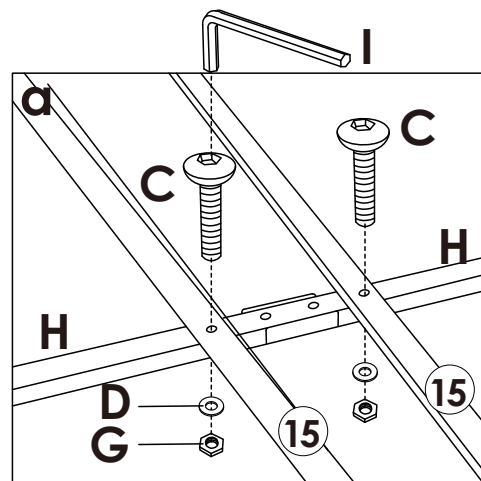
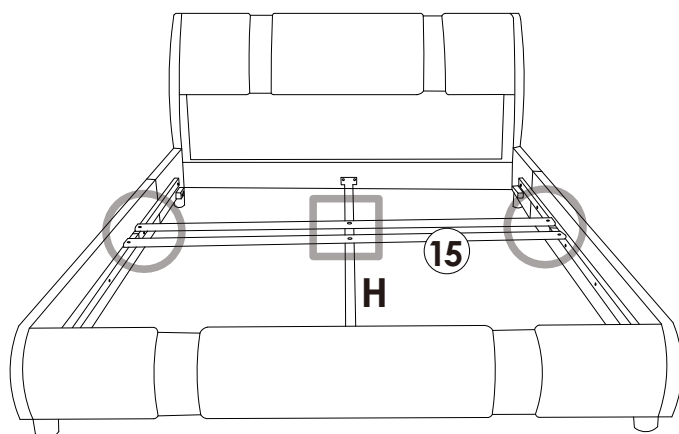
STEP 9

There are two sets of holes on either side of the head of the bed, the head of the bed can adjust the height of 5cm.



	A x 4PCS		D x 16PCS
	B x 16PCS		E x 16PCS
	I x 1PC		

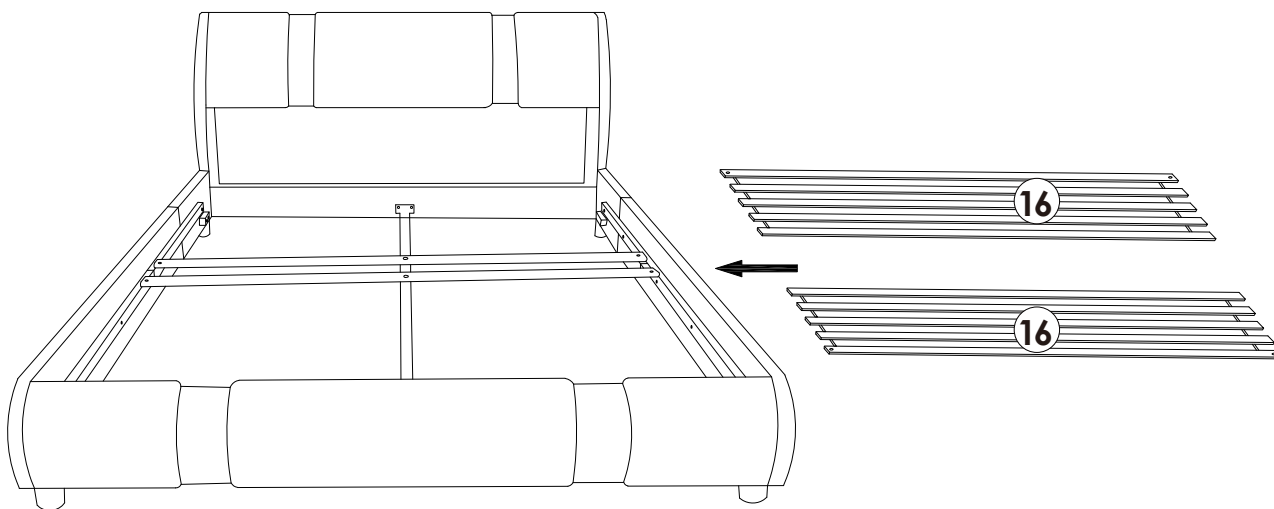
STEP 10



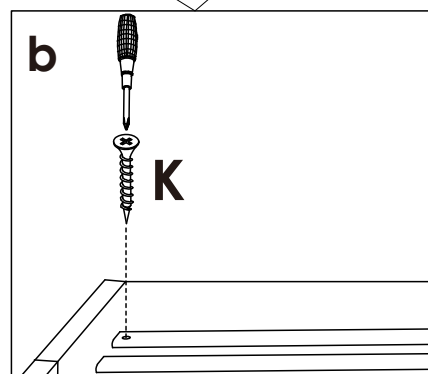
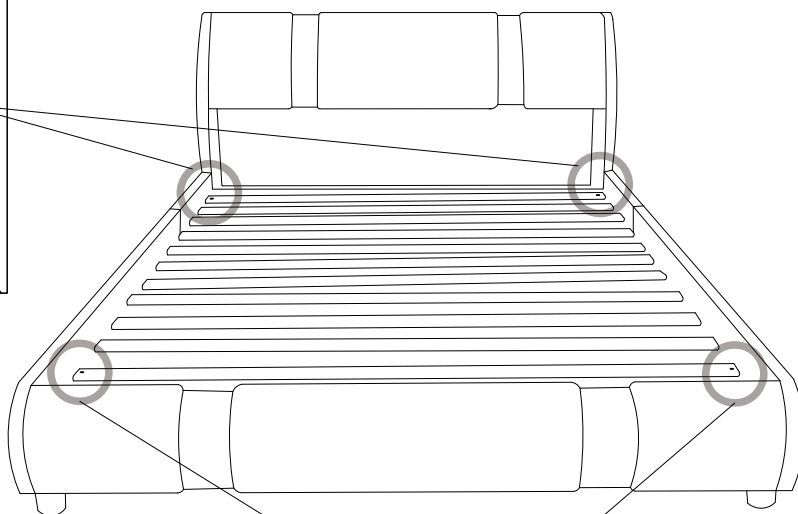
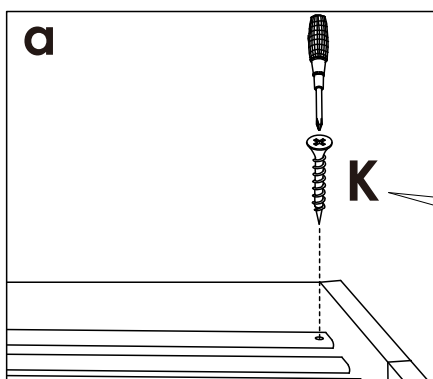
	C x 2PCS		D x 2PCS
	G x 2PCS		K x 4PCS
	I x 1PC		

Assembly Steps(EN) / Montageschritte(DE)

STEP 11



STEP 12



K x 4PCS

Thanks Gracias!