

User's Manual

Bed Frame





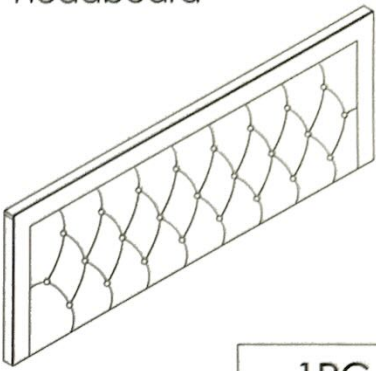

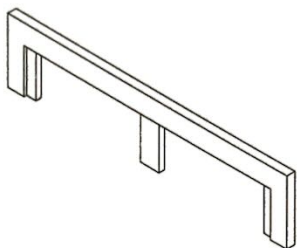

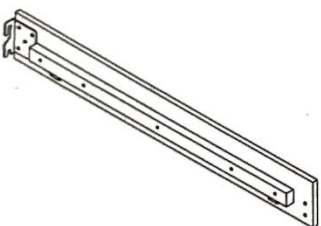

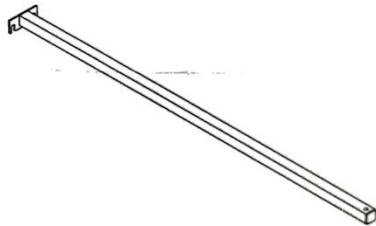

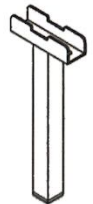




Queen Size

KLV-UP-149 / KLV-UP-152


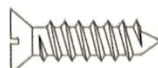

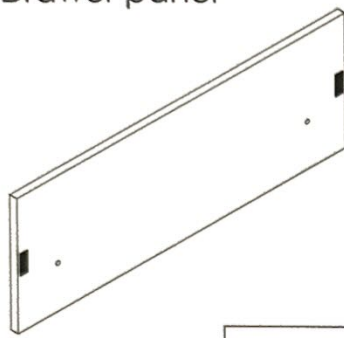





KLV-UP-155 / KLV-UP-158 / KLV-UP-161

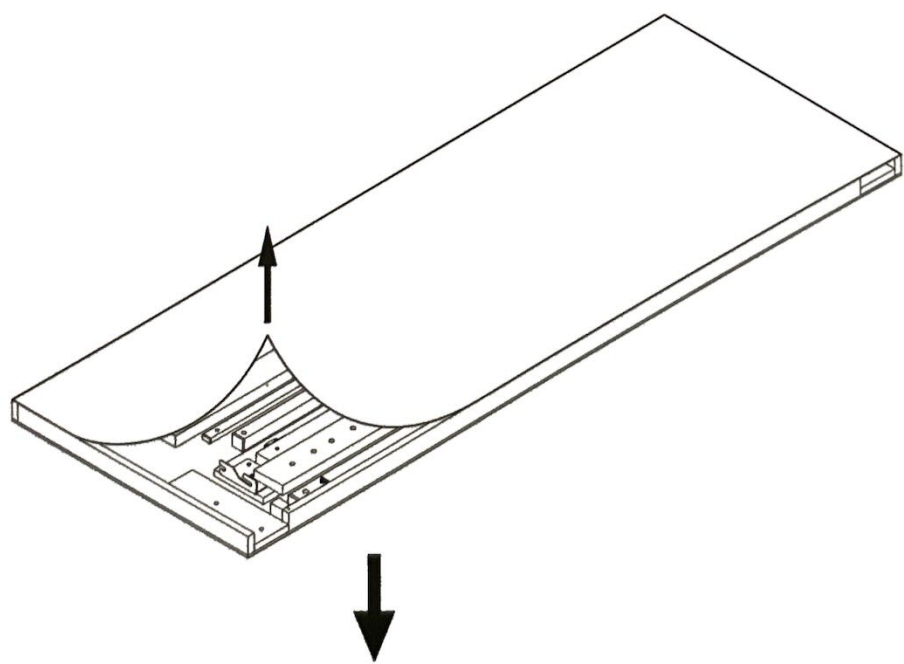
V1.0

Parts List(EN) / Teile Liste(DE)

<p>A Front Slat</p>  <p>1PC</p>	<p>B Back Slat</p>  <p>1PC</p>	<p>C Headboard</p>  <p>1PC</p>
<p>D Headboard side leg</p>  <p>2PCS</p>	<p>E Footboard</p>  <p>1PC</p>	<p>F1 left siderails</p>  <p>2PCS</p>
<p>F2 Right siderails</p>  <p>2PCS</p>	<p>G The brace</p>  <p>1PC</p>	<p>H Back Middle cross beam</p>  <p>1PC</p>
<p>I Front Middle cross beam</p>  <p>1PC</p>	<p>J Middle leg</p>  <p>1PC</p>	<p>K Edge of the foot</p>  <p>2PCS</p>
<p>L Front Leg</p>  <p>1PC</p>	<p>M Bed leg</p>  <p>2PCS</p>	<p>M1 Bed leg</p>  <p>1PC</p>

Parts List(EN) / Teile Liste(DE)

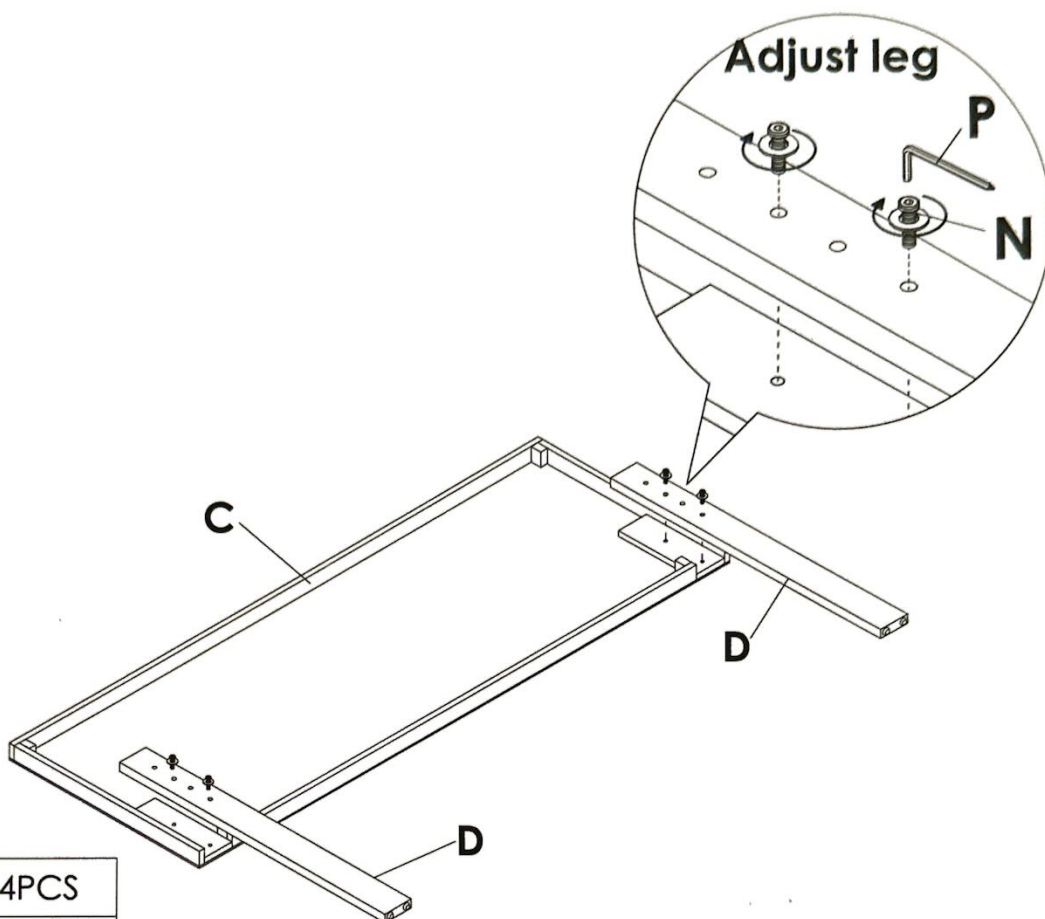
<p>N Innerscrew</p>  <p>M8×45mm 10+1PCS</p>	<p>O Screw</p>  <p>M3.5×30mm 8+1PCS</p>	<p>P Inner allen wrench</p>  <p>1PC</p>
<p>Q Drawer panel</p>  <p>2PCS</p>	<p>R Drawer</p>  <p>2PCS</p>	<p>S Drawer wheel</p>  <p>8PCS</p>
<p>T Drawer connector</p>  <p>4PCS</p>	<p>U Screw</p>  <p>M6×6mm 8+1PCS</p>	<p>V Screw</p>  <p>M6×15mm 6PCS</p>





ABCDEF1 F2 G H K L M M1 N O P Q R S T U V

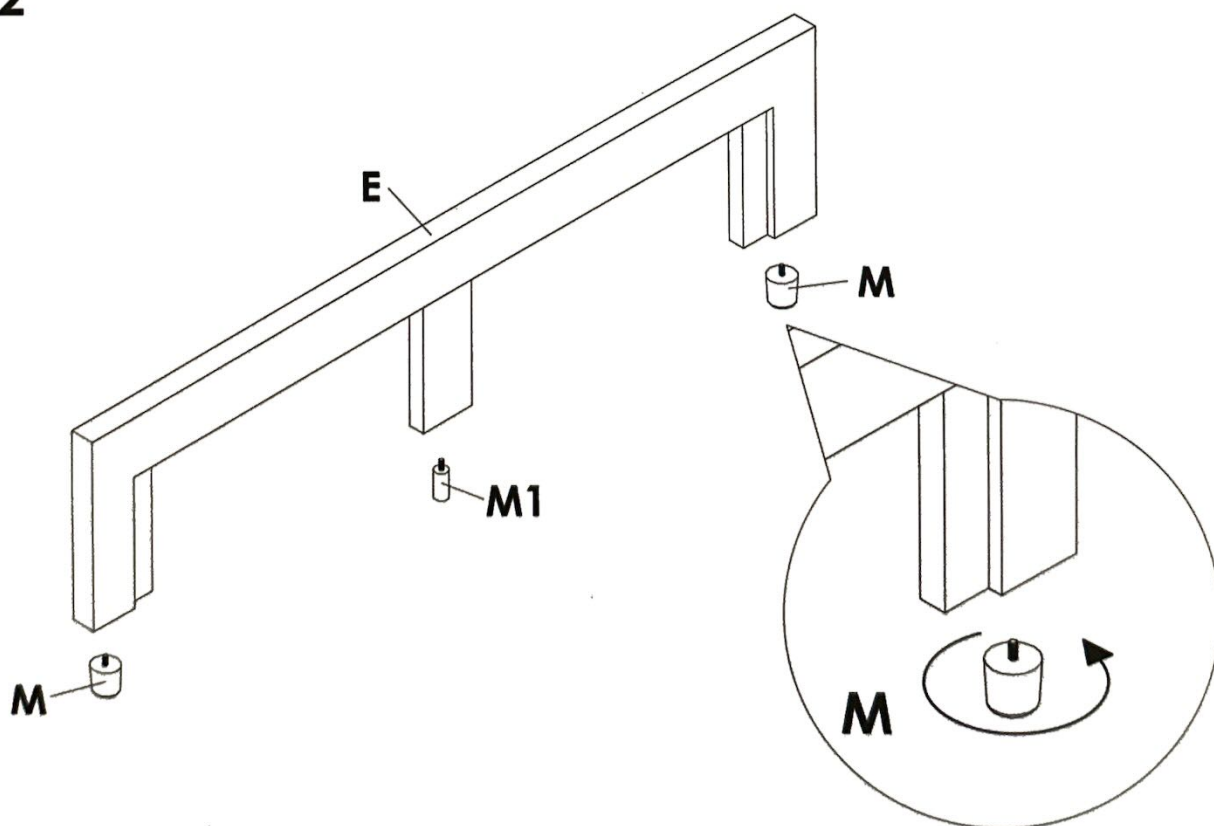
Assembly Steps(EN) / Montageschritte(DE)

STEP 1



	N x 4PCS
	P x 1PC

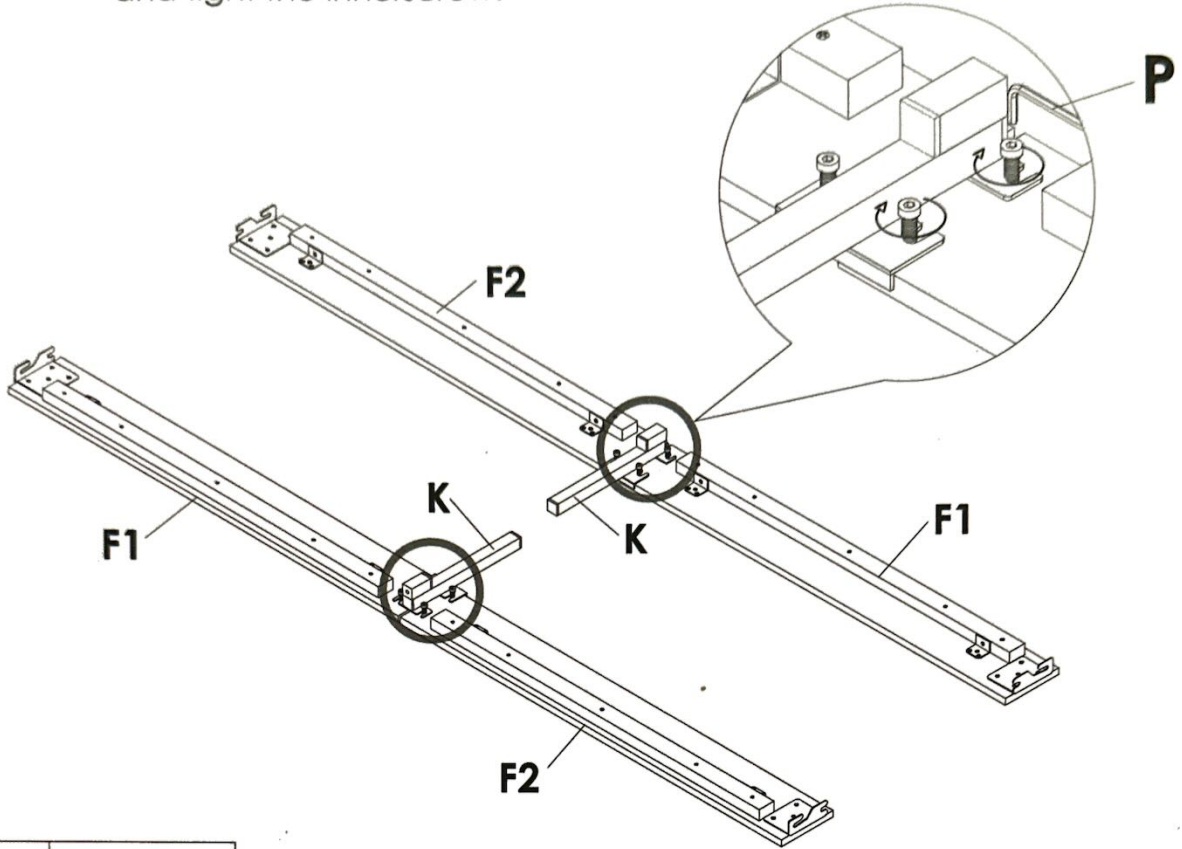
STEP 2



Assembly Steps(EN) / Montageschritte(DE)

STEP 3

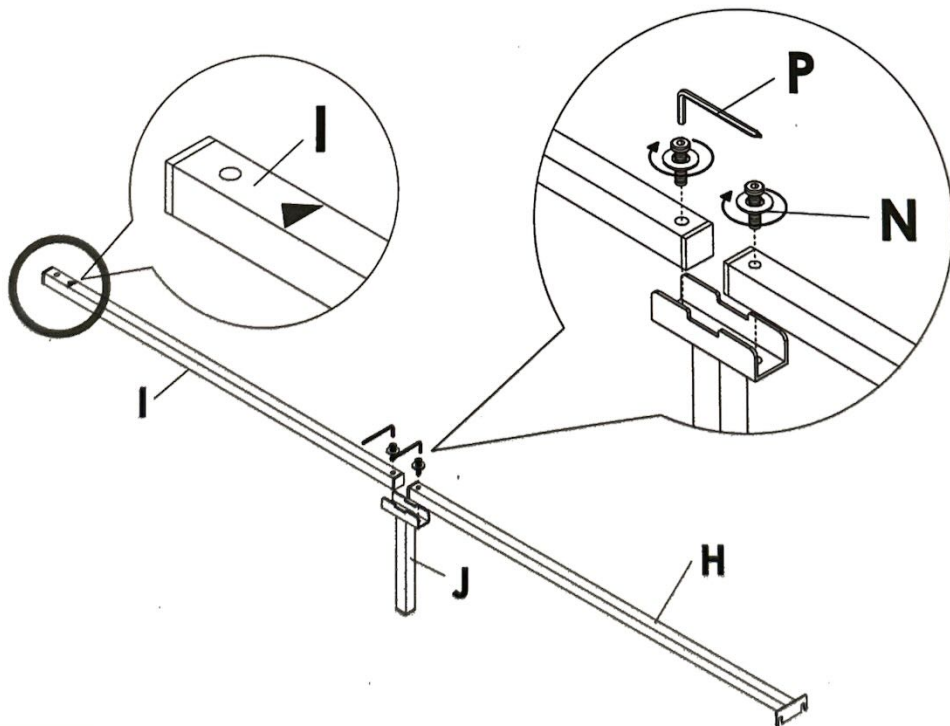
Loosen the screw of siderails, install the edge of the foot, and tight the innerscrew.



P x 1PC

STEP 4

Noted that the middle cross beam, the direction of the red arrow is the front



N x 2PCS

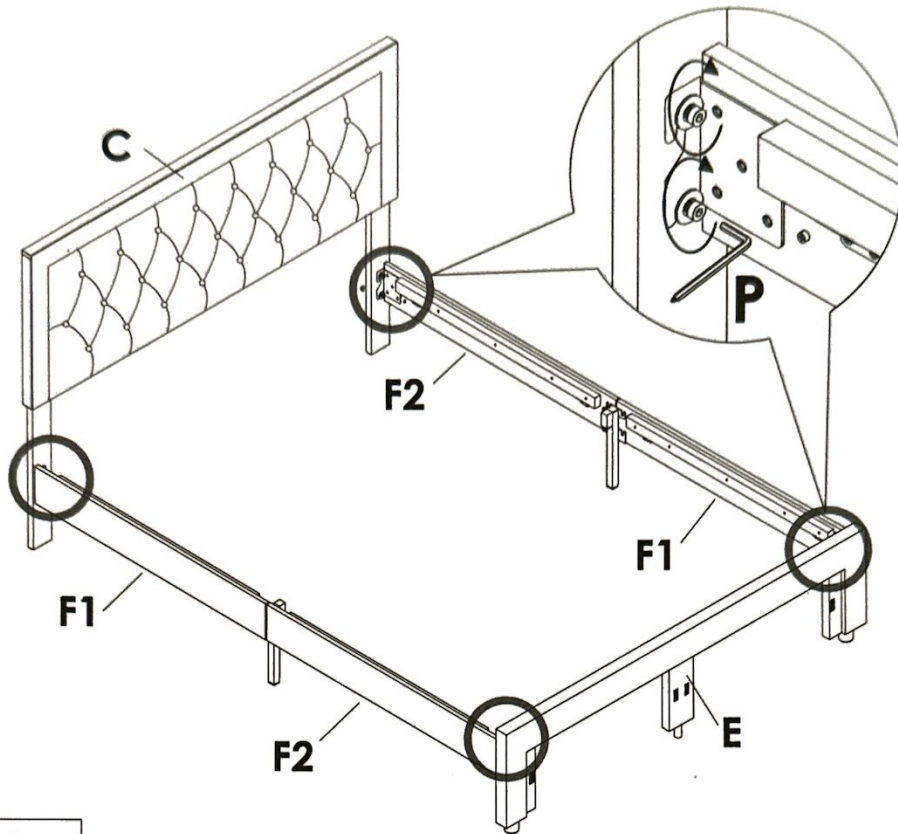


P x 1PC

Assembly Steps(EN) / Montageschritte(DE)

STEP 5

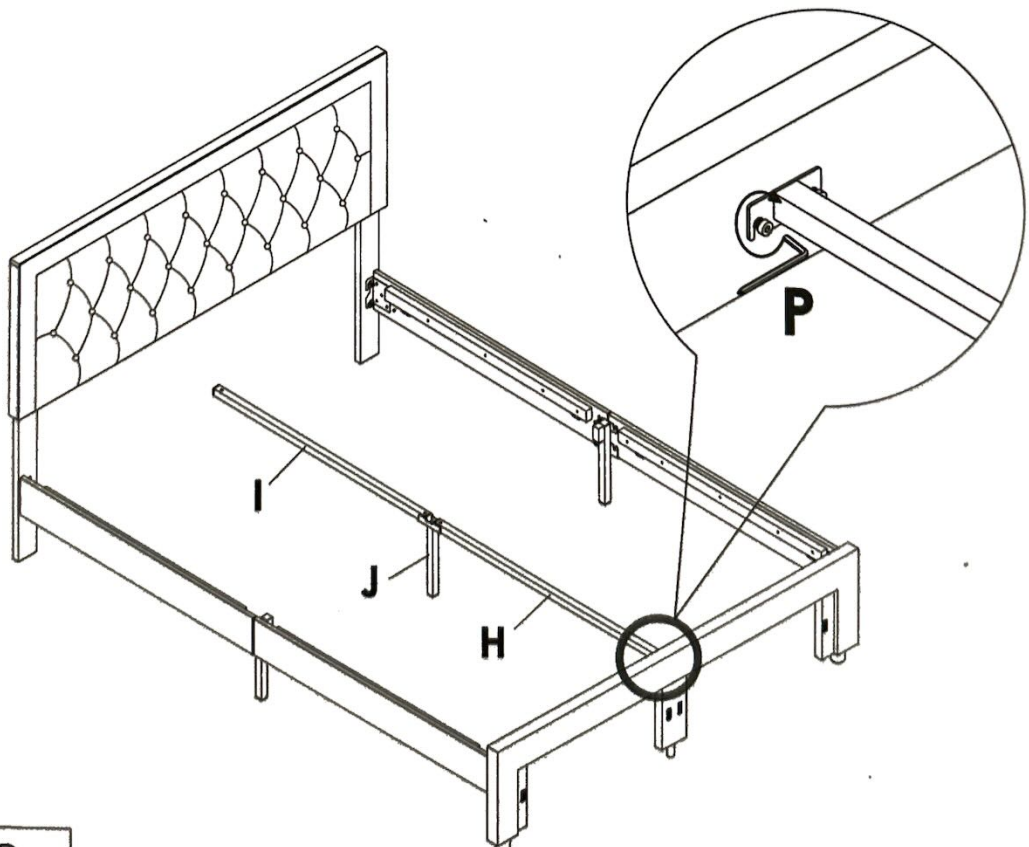
Loosen the screw of headboard side leg and both sides of footboard, hanging the bracket and tight the innerscrew.



P x 1PC

STEP 6

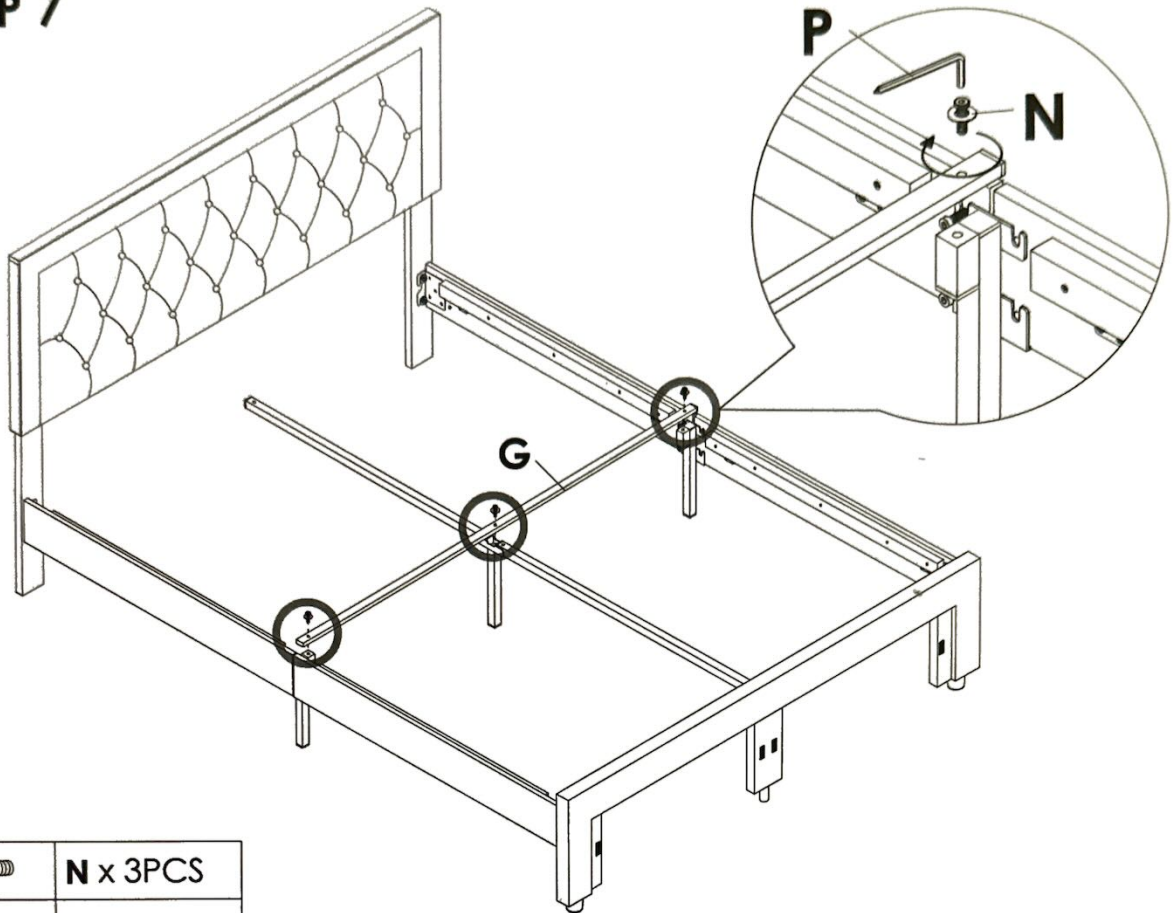
Loosen the screw of the middle of footboard, hanging the bracket and tight the innerscrew.





P x 1PC

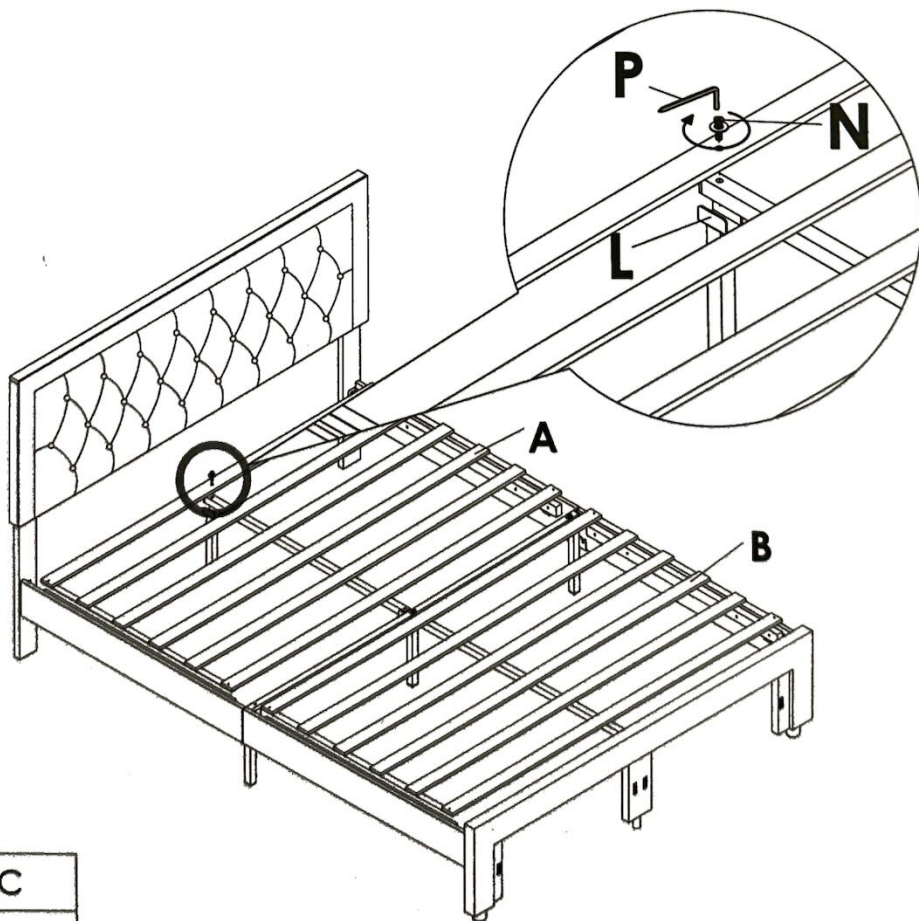
Assembly Steps(EN) / Montageschritte(DE)



STEP 7



	N x 3PCS
	P x 1PC

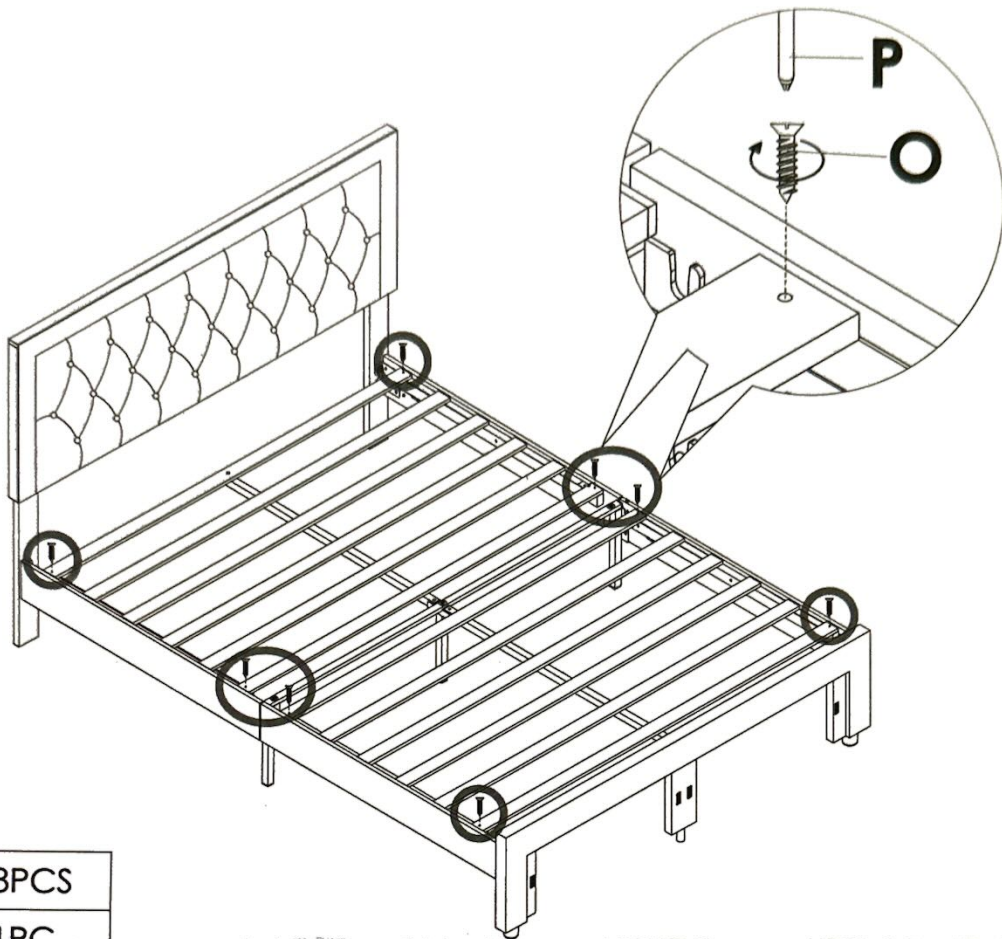
STEP 8





	N x 1PC
	P x 1PC

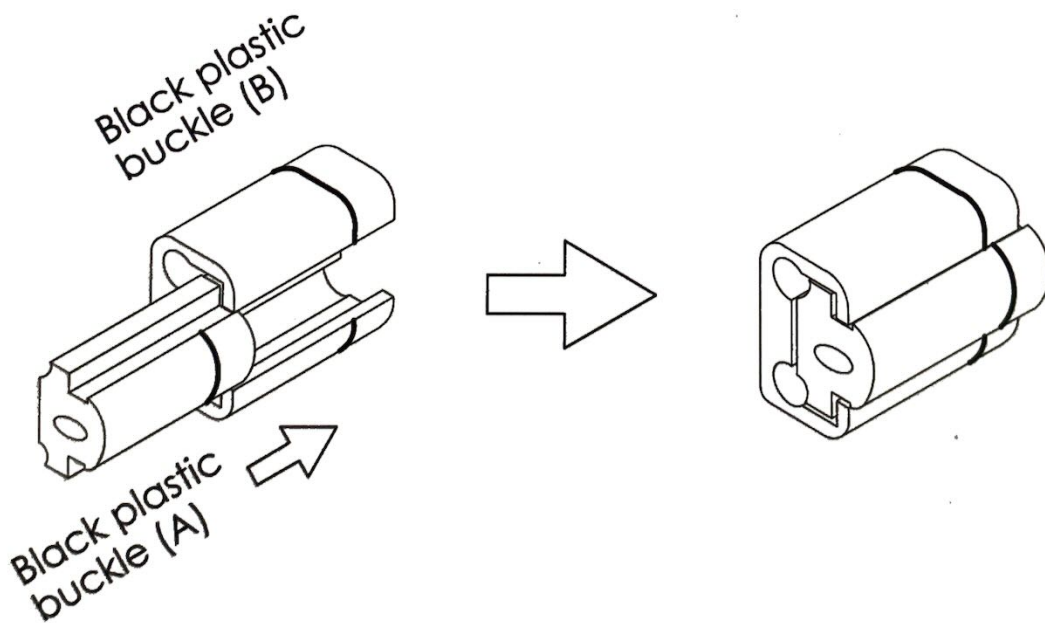
Assembly Steps(EN) / Montageschritte(DE)

STEP 9



	O x 8PCS
	P x 1PC

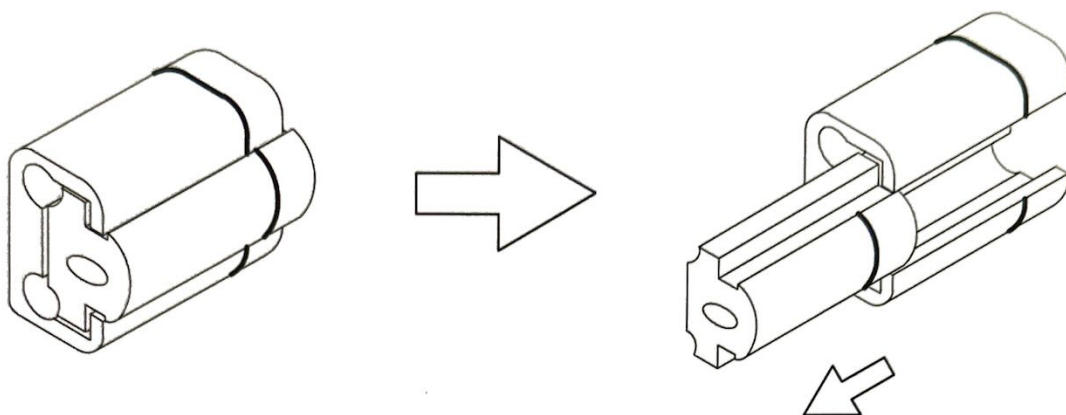
STEP 10



So This is the only direction that can be locked

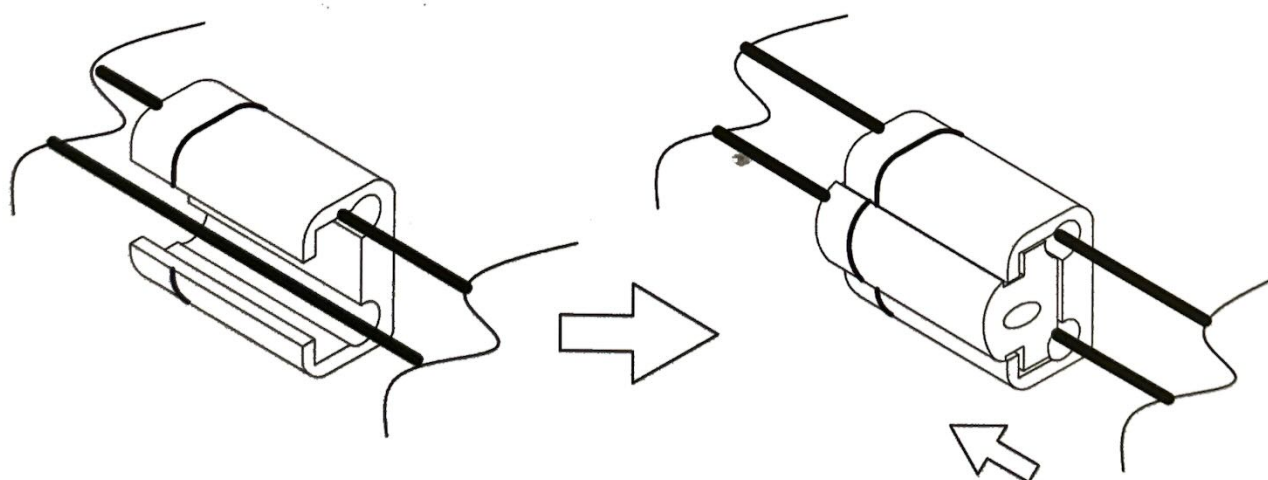
Assembly Steps(EN) / Montageschritte(DE)

STEP 11



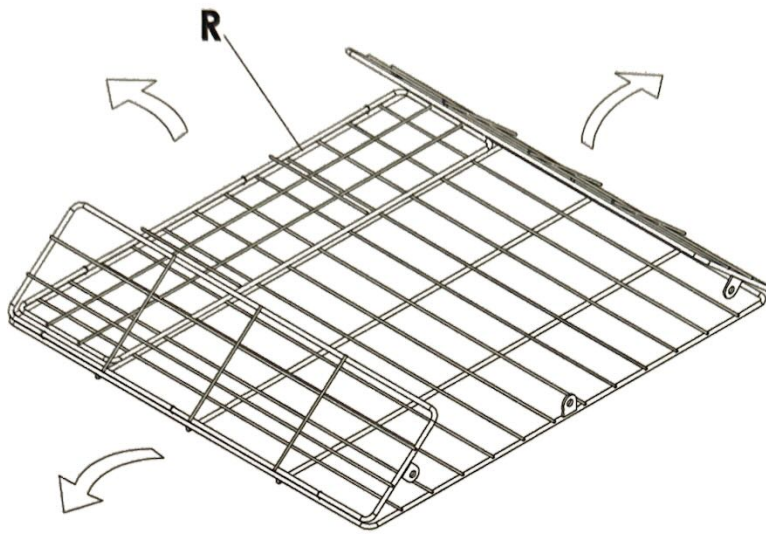
You can pull the buckle out
by following the direction
indicated by the arrow

STEP 12



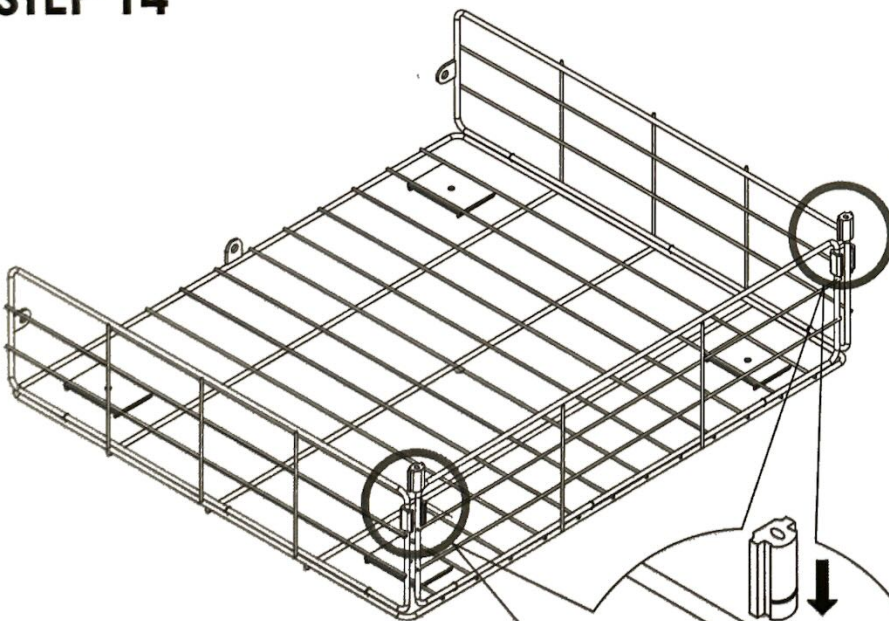
Place round iron tube as shown
for better drawer assembly

STEP 13

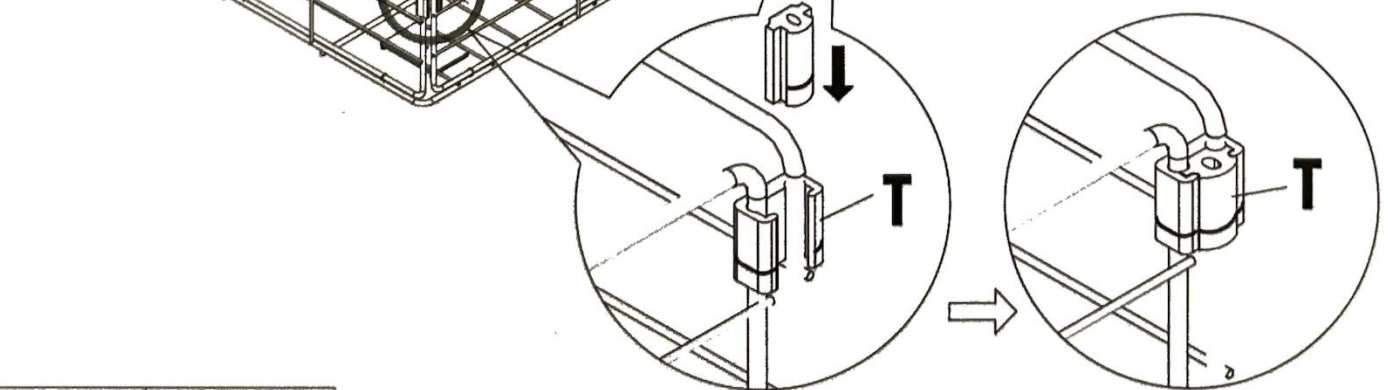


x2

STEP 14

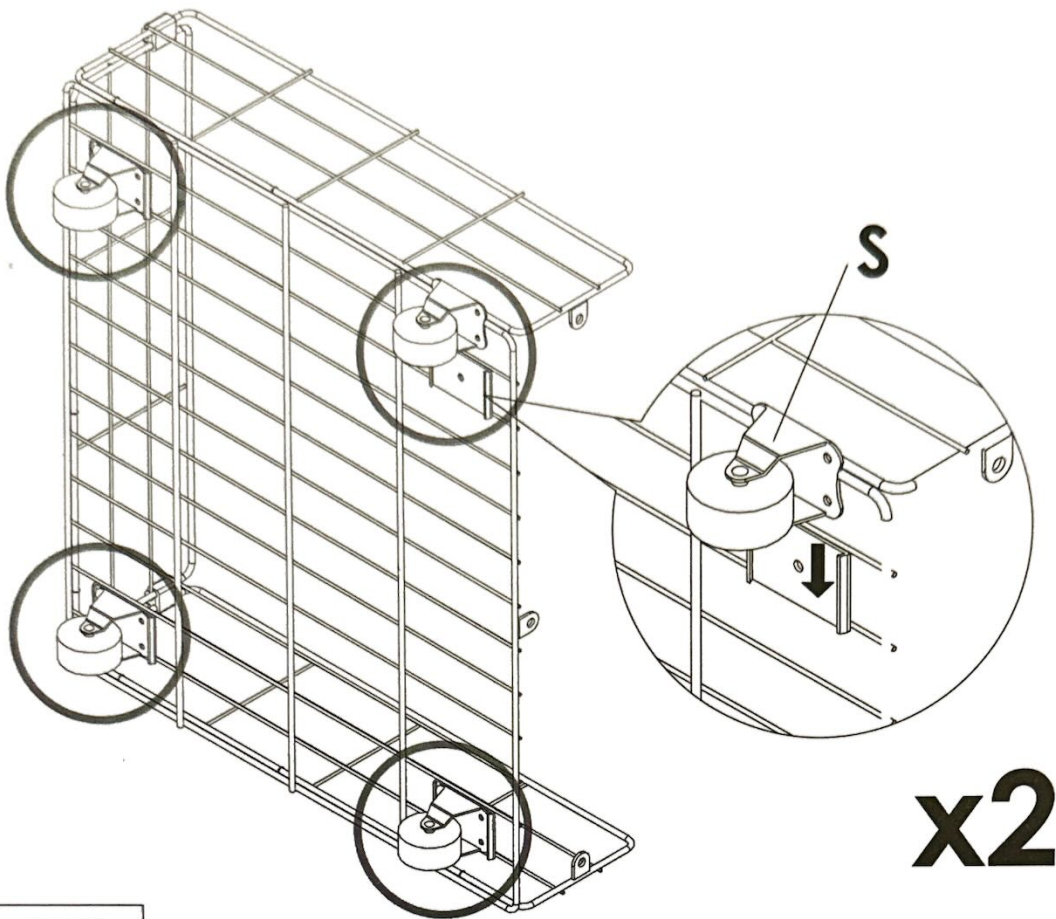


x2



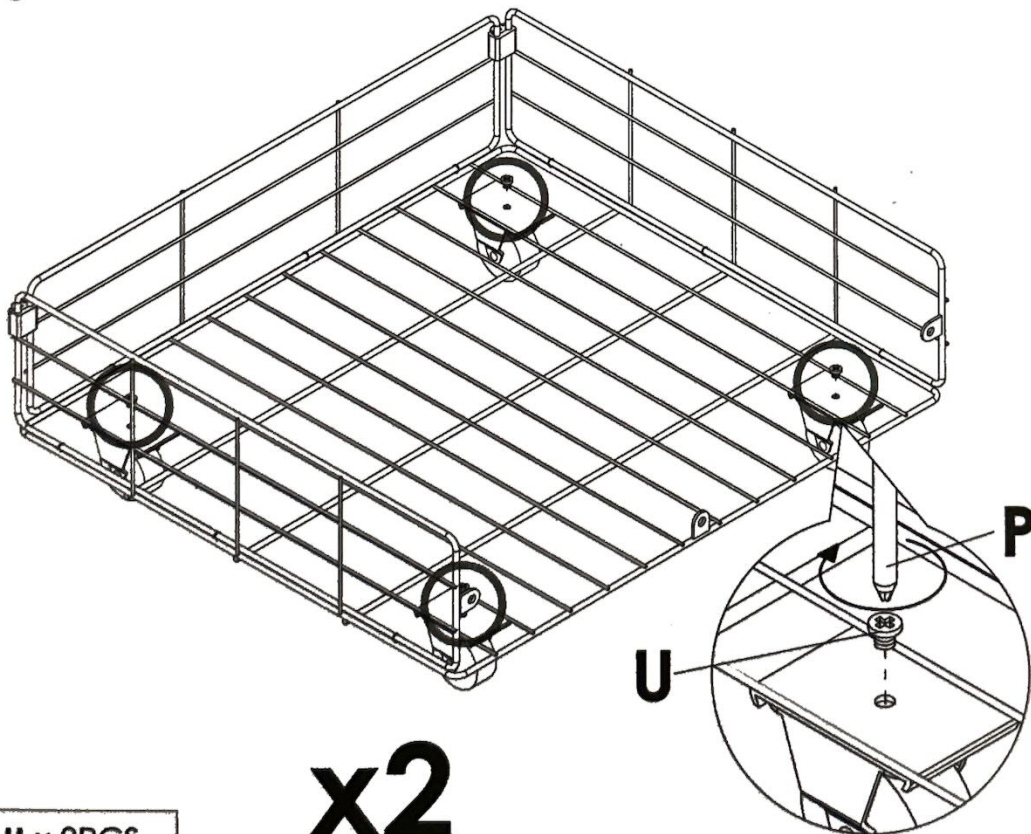
T x 4PCS

STEP 15



S x 8PCS

STEP 16

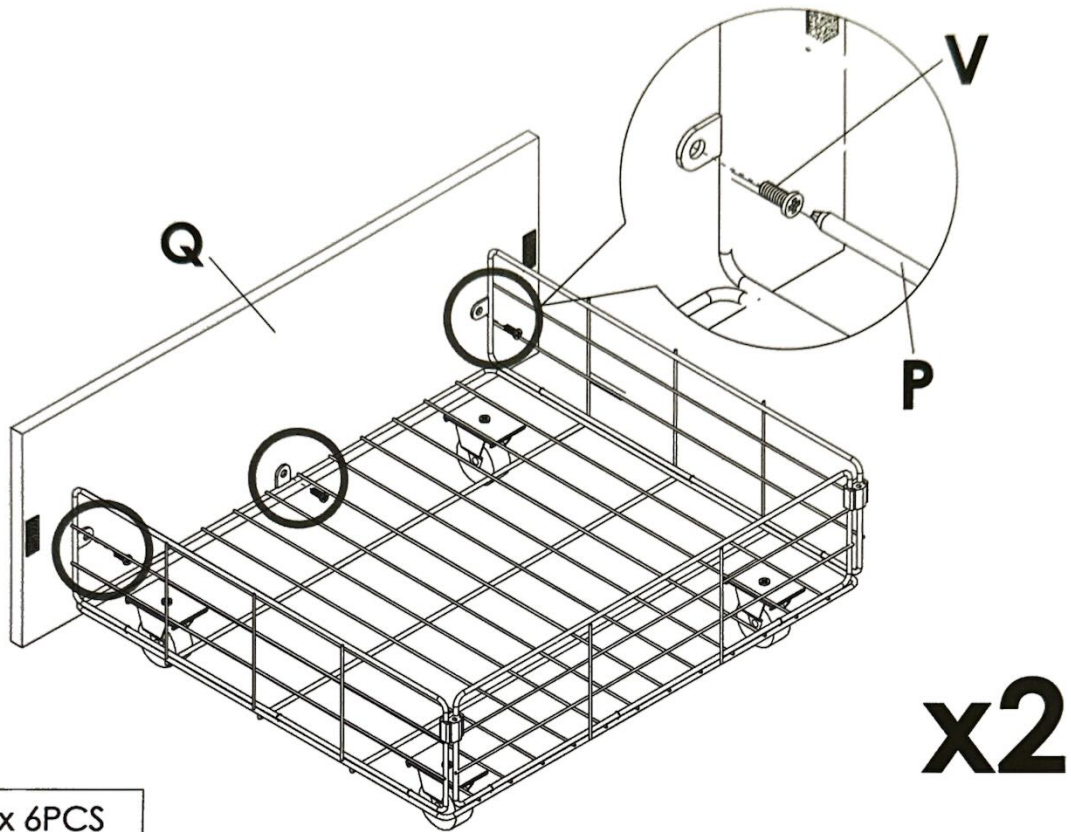




U x 8PCS



P x 1PC

STEP 17



	V x 6PCS
	P x 1PC

STEP 18

