



## ASSEMBLY INSTRUCTIONS

Do not throw away the packaging material until the assembly is complete.  
To protect the product, assemble this item on a soft surface such as a cardboard or a carpet.  
While assembling the product, first tighten the bolts/screws up to 50%. Once all parts are in place, only then fully tighten the bolts/screws!

## CARE INSTRUCTIONS

Wipe only with a soft & dry cloth.  
To protect product, avoid the use of chemicals and household cleaners.  
Any liquid spilled on the product should be cleaned up immediately with a damp cloth.

# HARDWARE PROVIDED



A  
JCBC  
6 x 40mm  
20X



B  
WASHER  
ø16 xø8mm  
20X



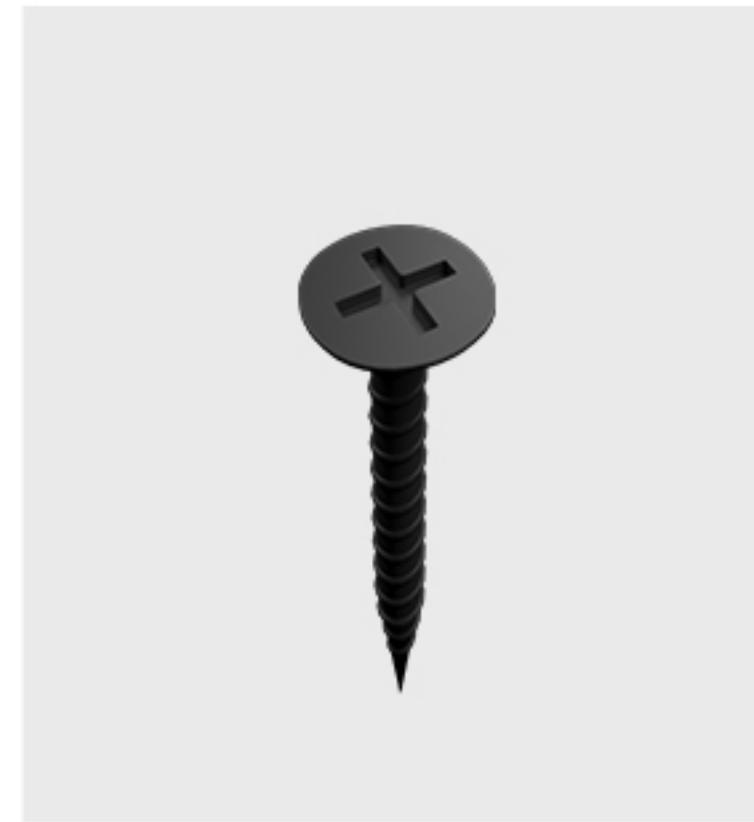
C  
LOCK WASHER  
Ø8.5mm  
20X



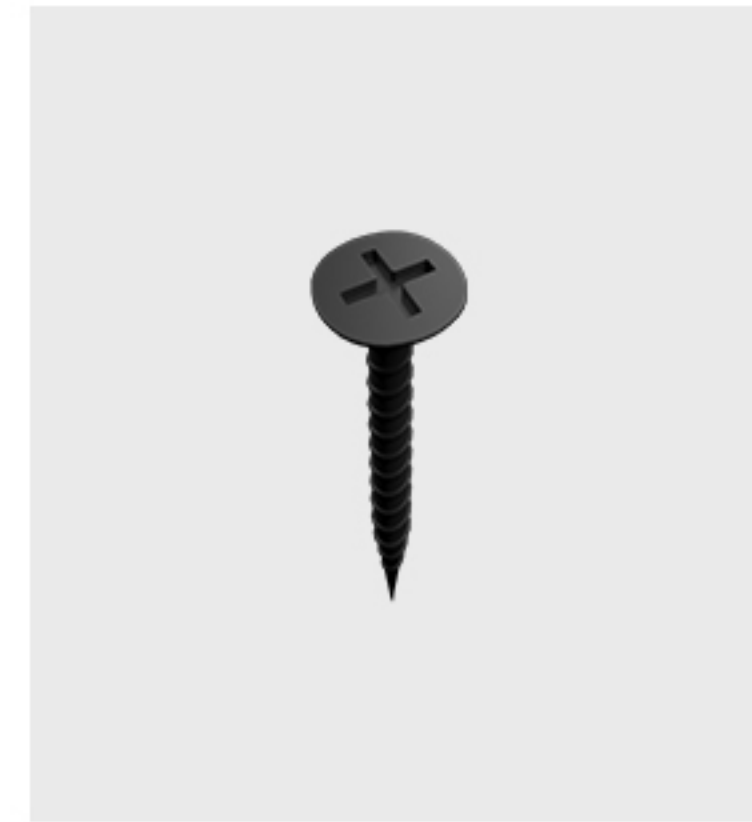
D  
ALLEN KEY  
1X



E  
ZIP TIE  
300mm  
02X



F  
SCREW  
25mm  
4X



G  
SCREW  
13mm  
4X



H  
BRACKET  
4X



I  
PLASTIC ANCHOR  
4X

# PRODUCT PARTS

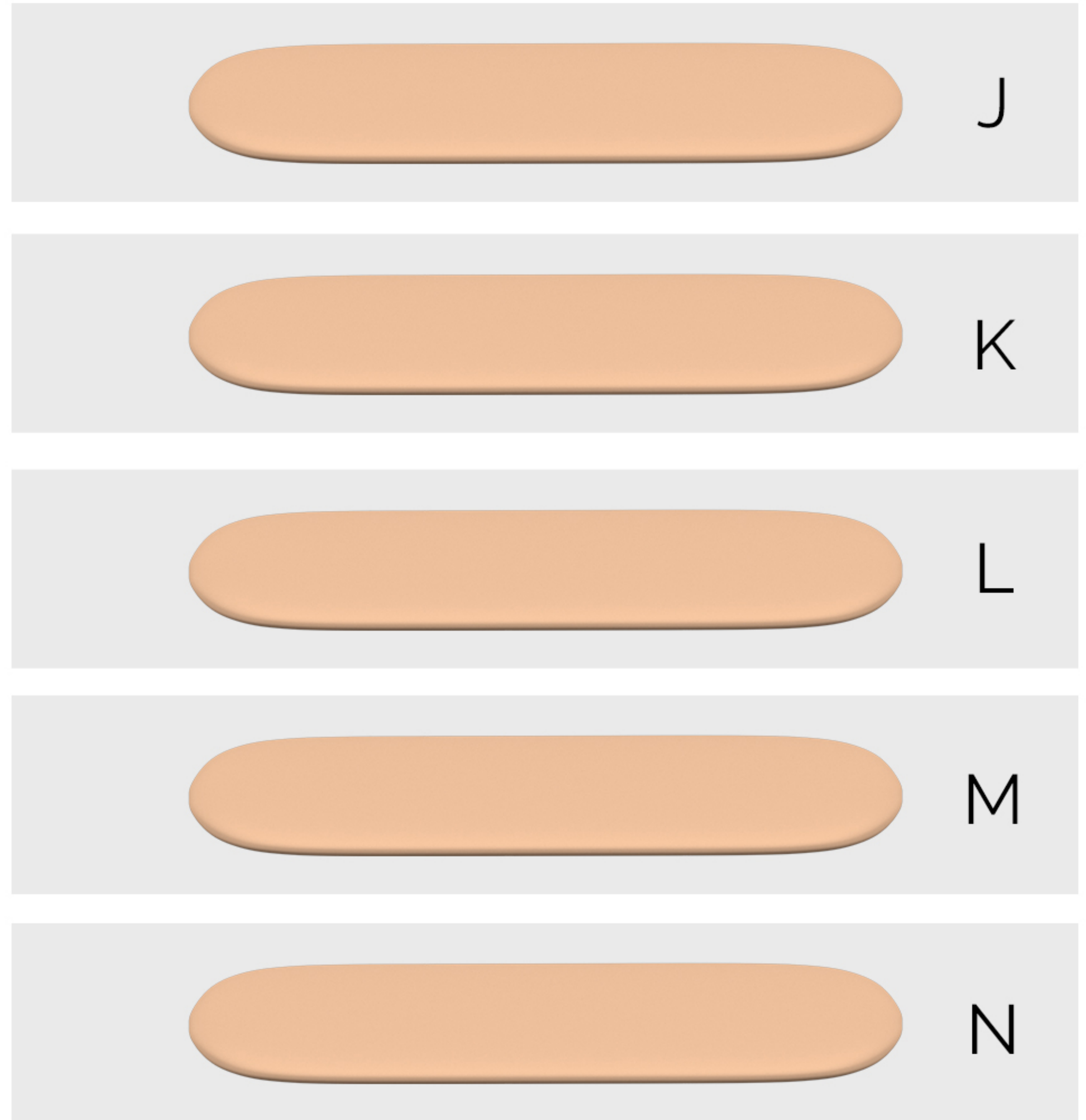


O



P

SUPPORTING FRAMES



J

K

L

M

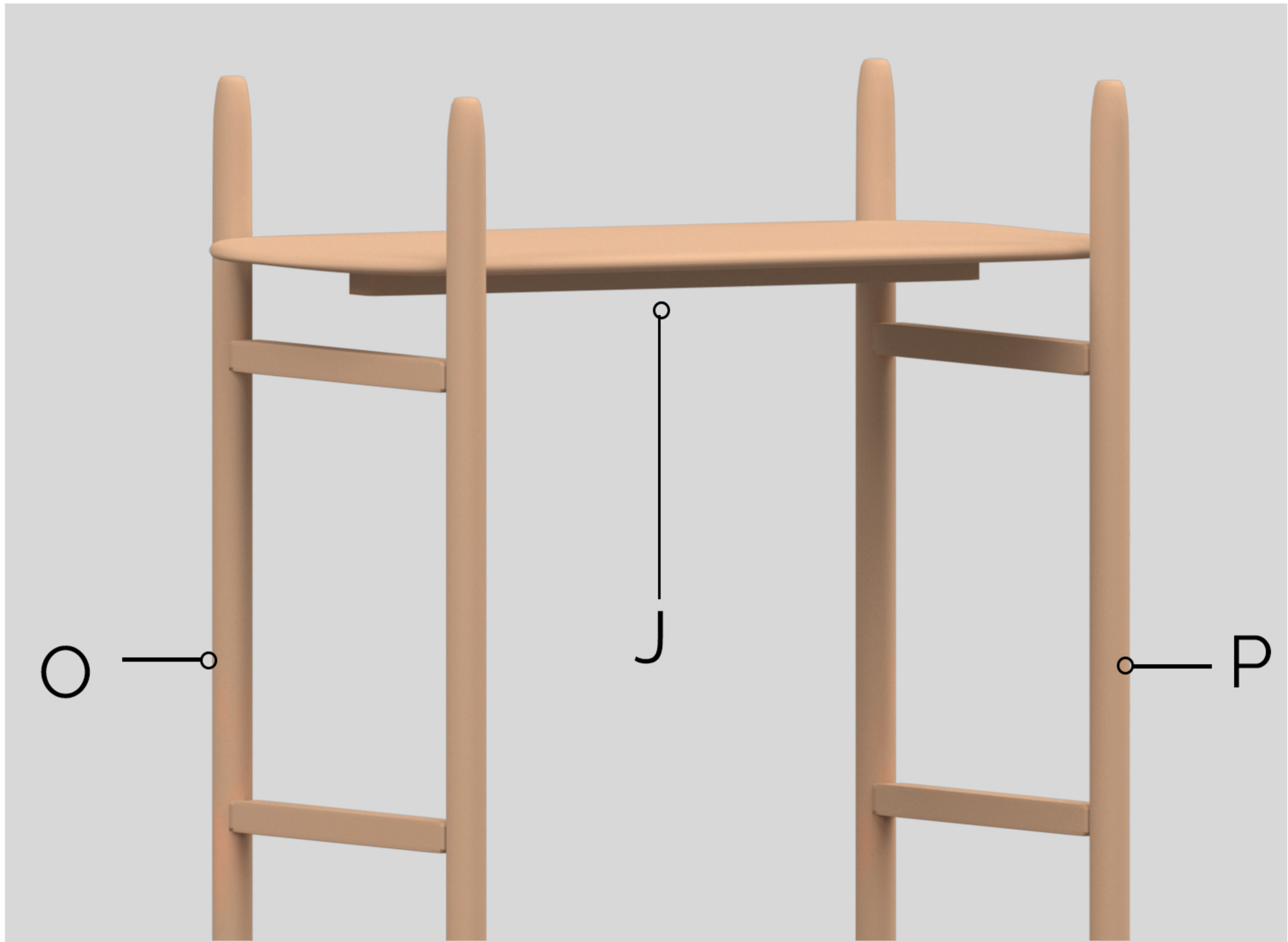
N

SHELVES

# STEP 1

## ASSEMBLY INSTRUCTIONS

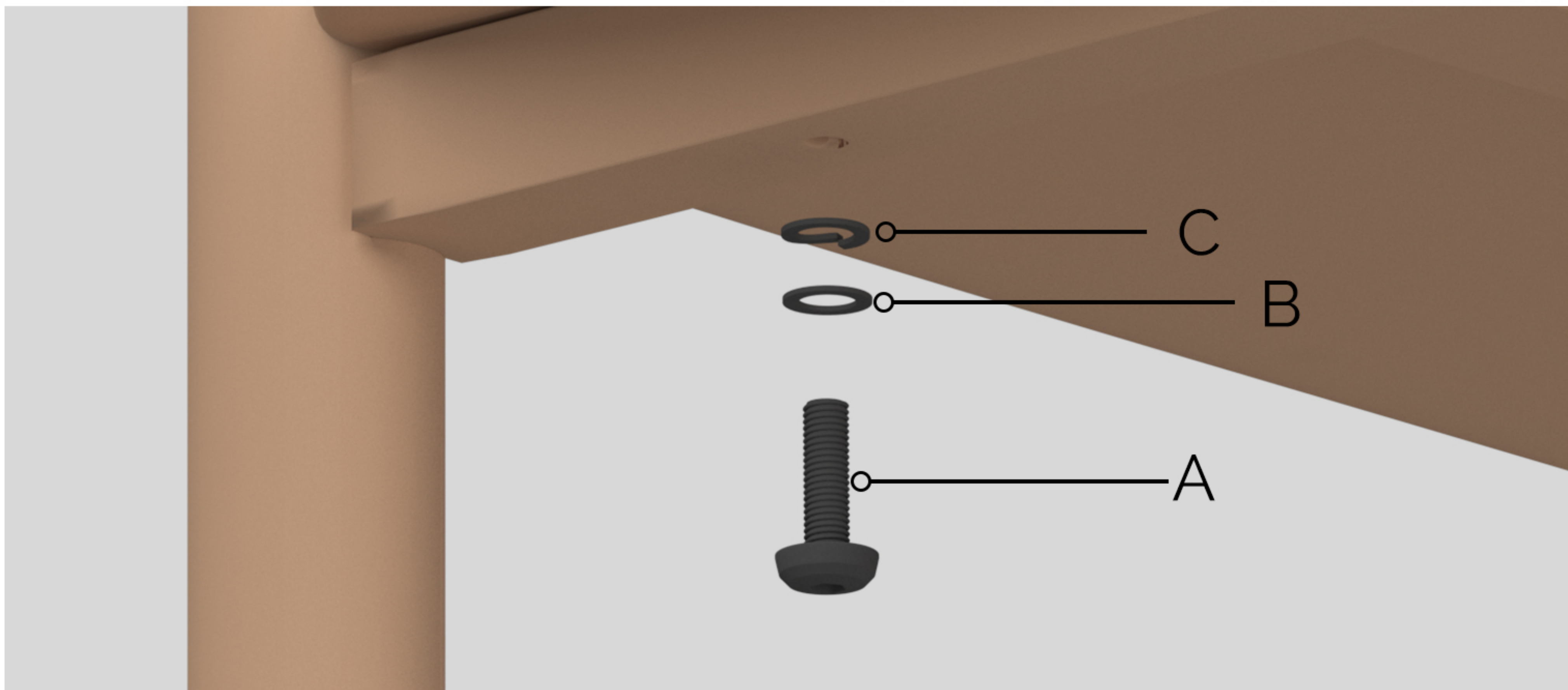
---



For further assembly, take a Shelf (J) and place it on the Support Frame (O) and (P).

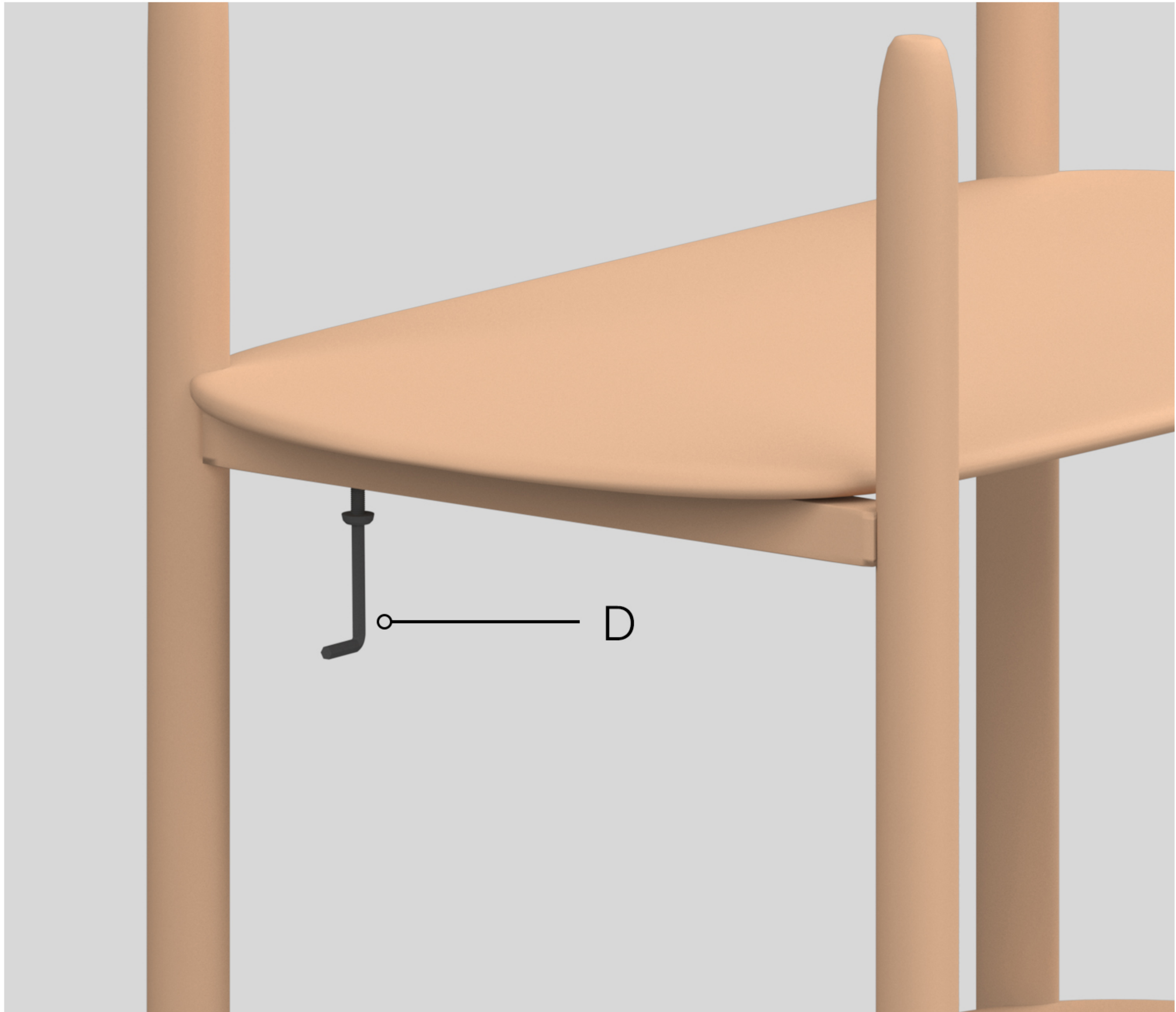
## STEP 2

**Note - While assembling the product, first tighten the bolts/screws up to 50%. Once all parts are in place, only then fully tighten the bolts/screws!**



Once aligned, place the Lock Washer (C), Flat Washer (B) and bolts/screws (A) as shown in the image.

# STEP 3



Tighten using the L-Key (D).

## STEP 4



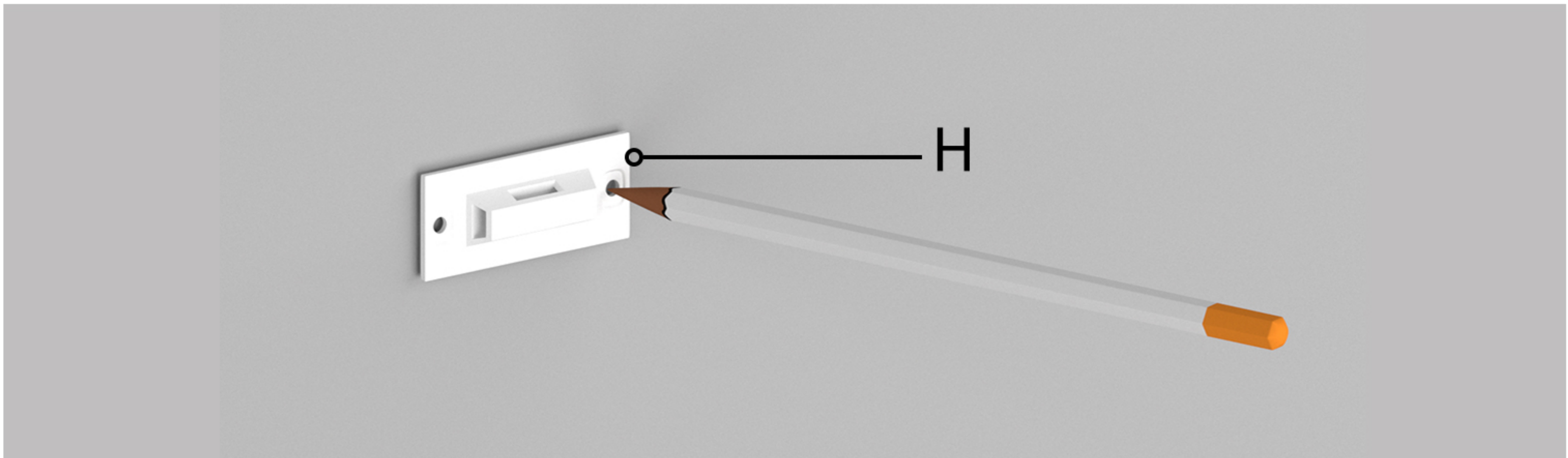
Repeat with the other Shelves (K,L,M and N).

## STEP 5

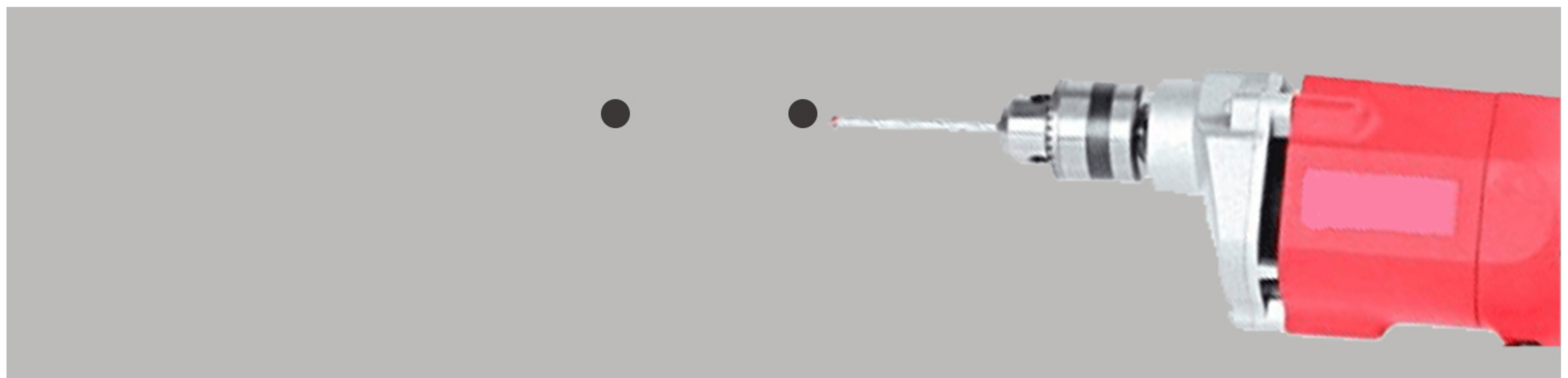
### INSTALLATION INSTRUCTIONS



Keep the assembled shelf adjacent to the wall.

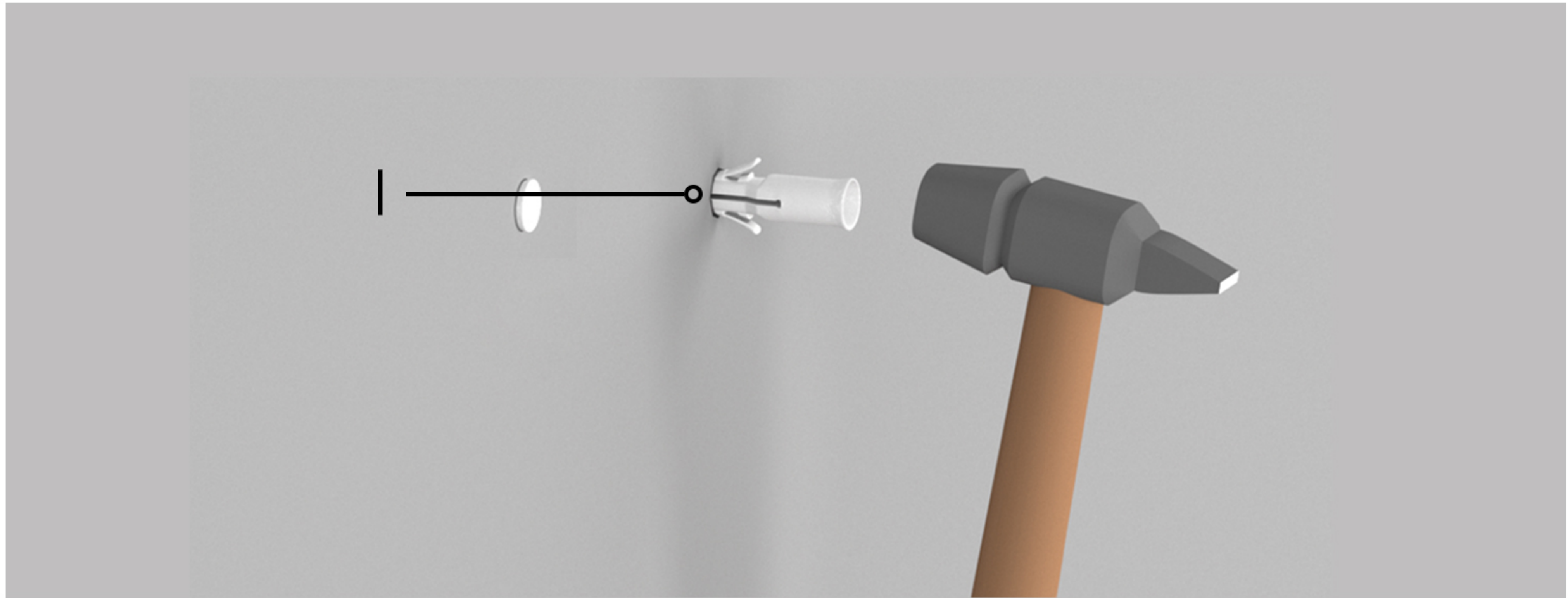


Make marks on the wall where the shelf needs to be attached.

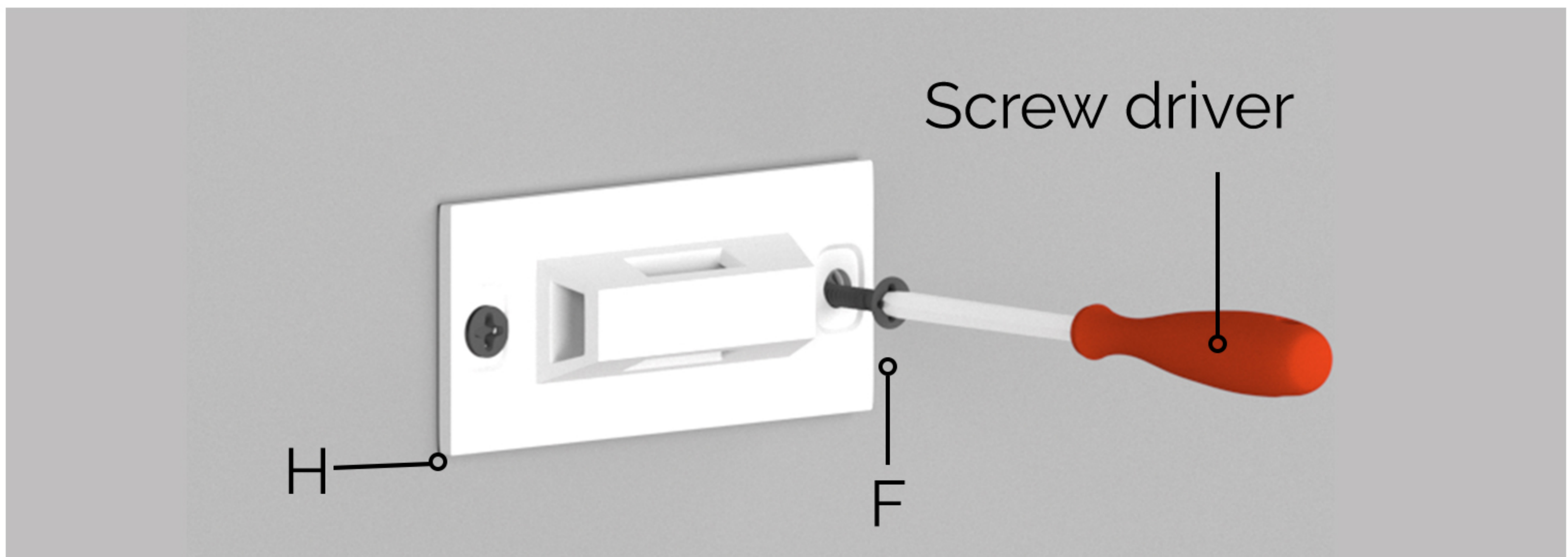


Drill holes in place of the marks.

## STEP 6

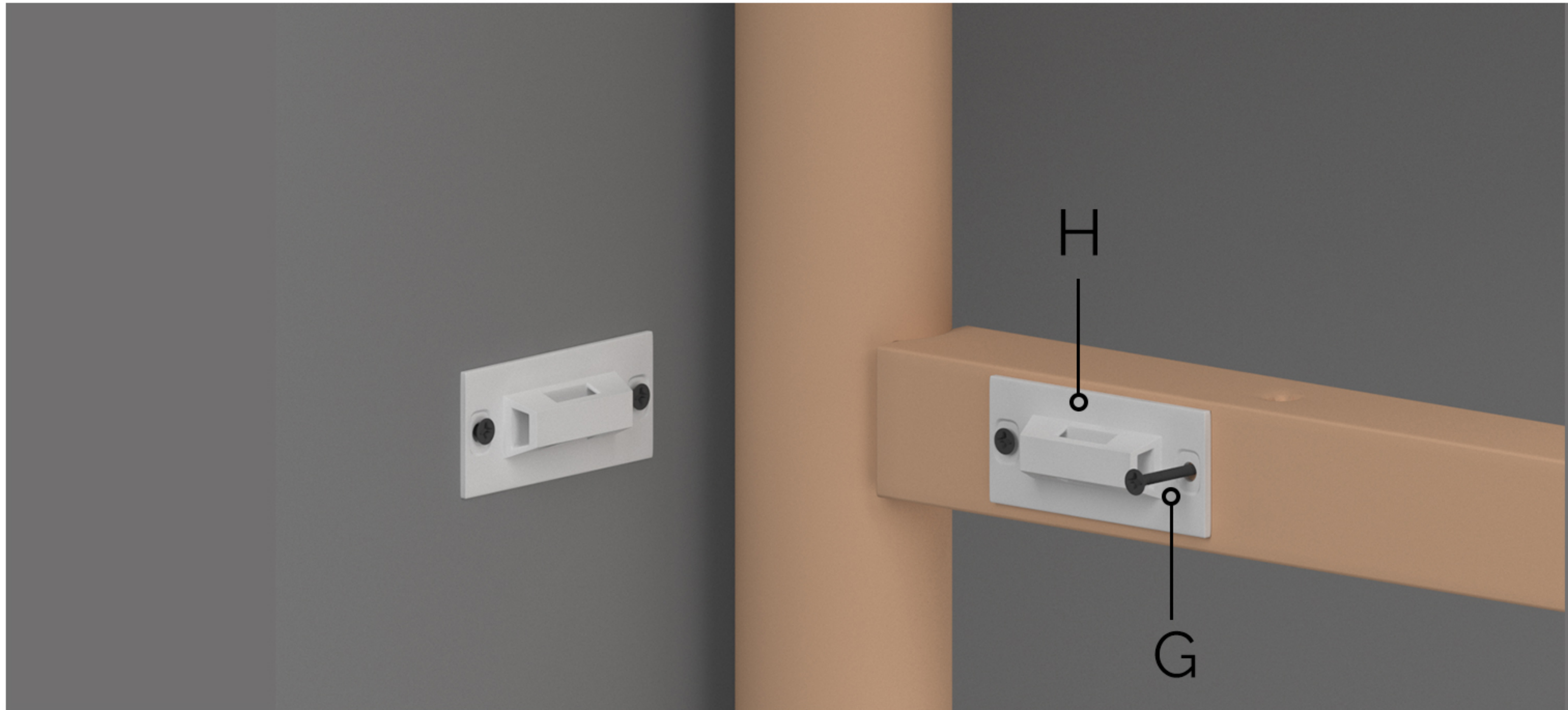


Insert Wall Plugs (I) in the holes.

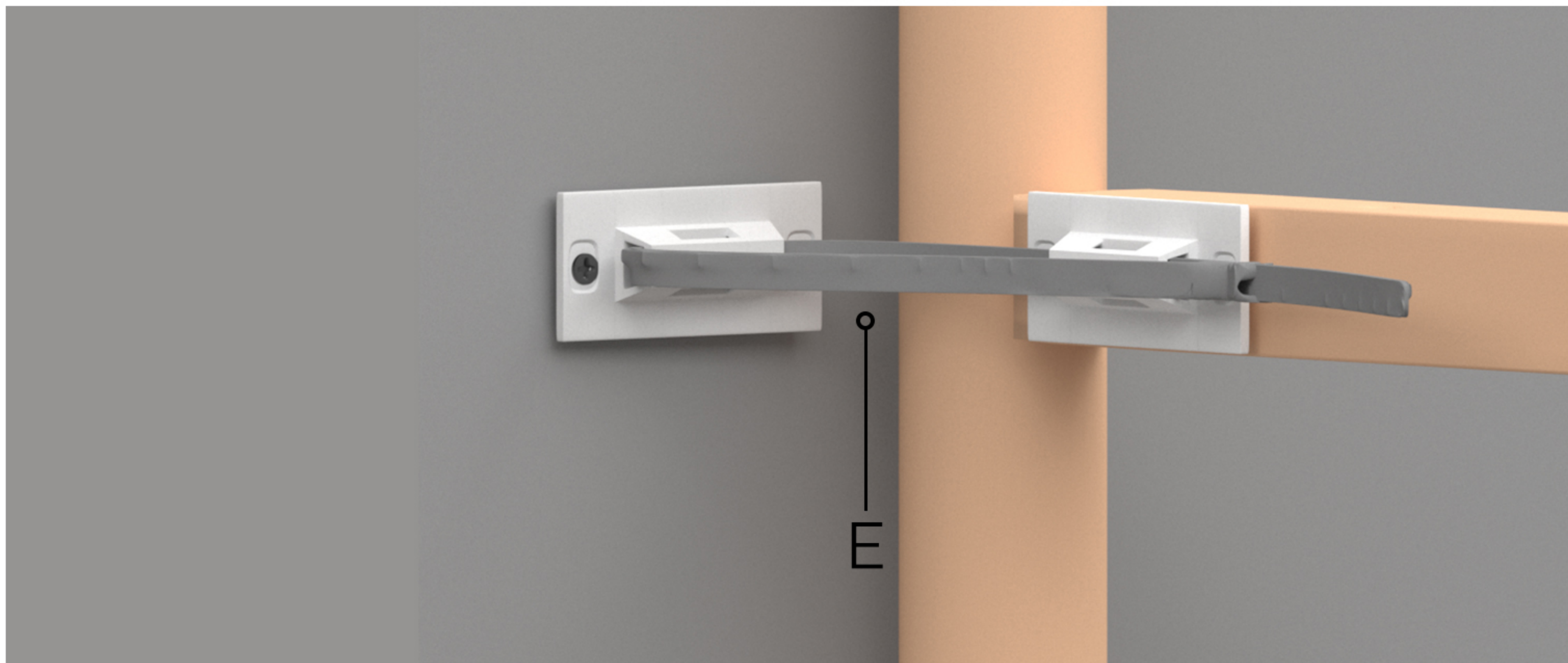


Now, place the Brackets (H) on top of it and insert bolts/screws (F). Tighten completely with the help of a Screwdriver.

## STEP 7



Insert screws (G) through the bracket (H) into the side of bookcase.



Attach one end of Lock Tie (E) into the bracket.



Your bookcase is now assembled and installed!