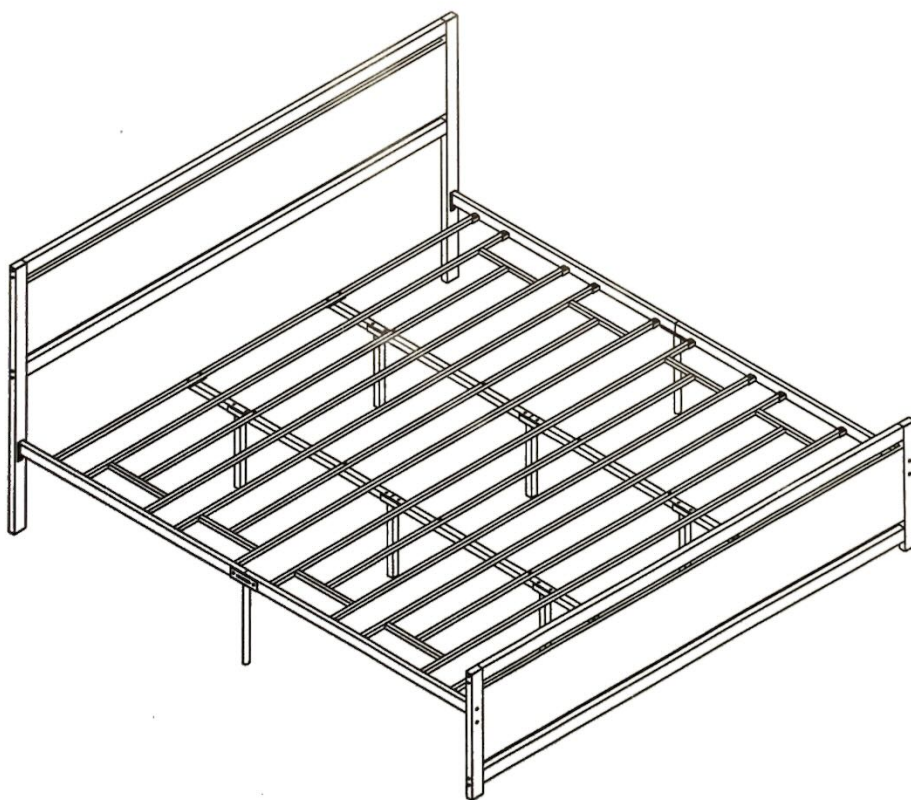
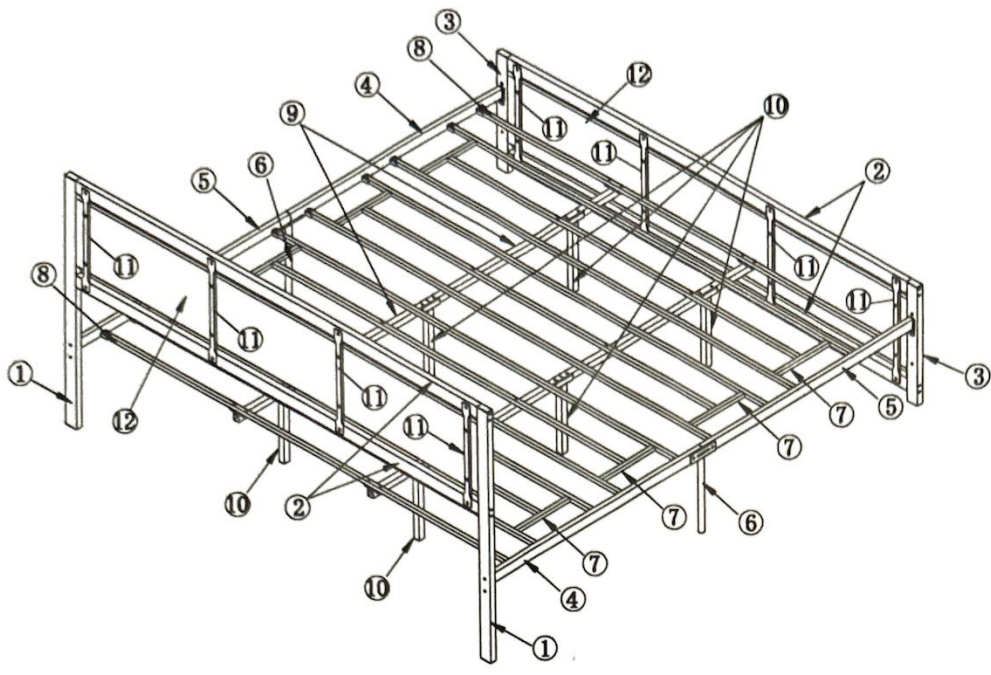


LIKIMIO

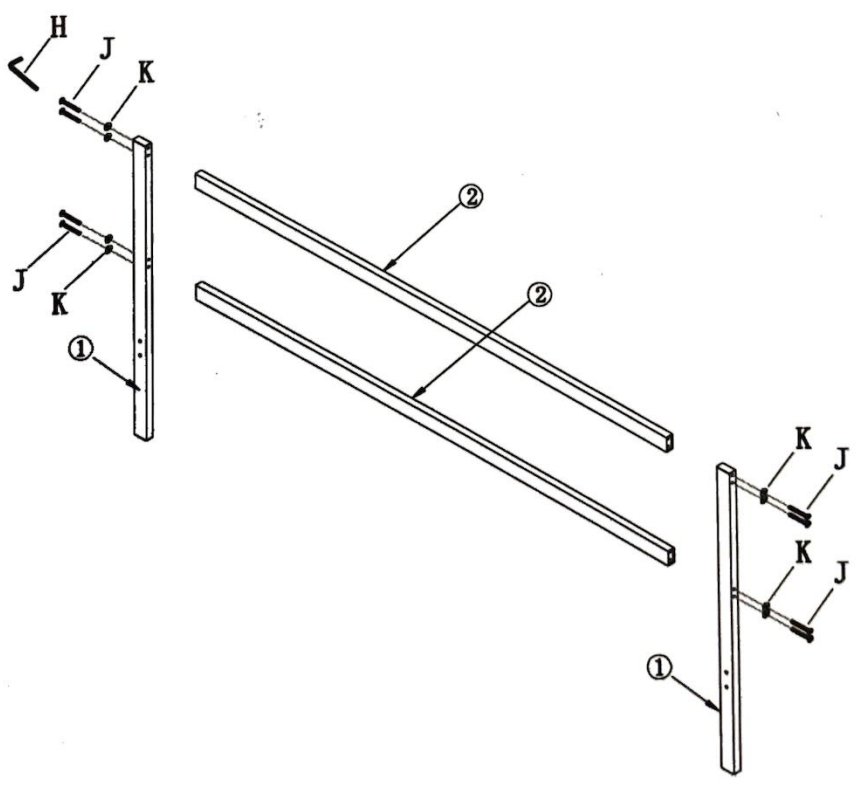
Please don't tighten the screws completely and go back later for a final tightening of all the screws after pieces are aligned with each other.







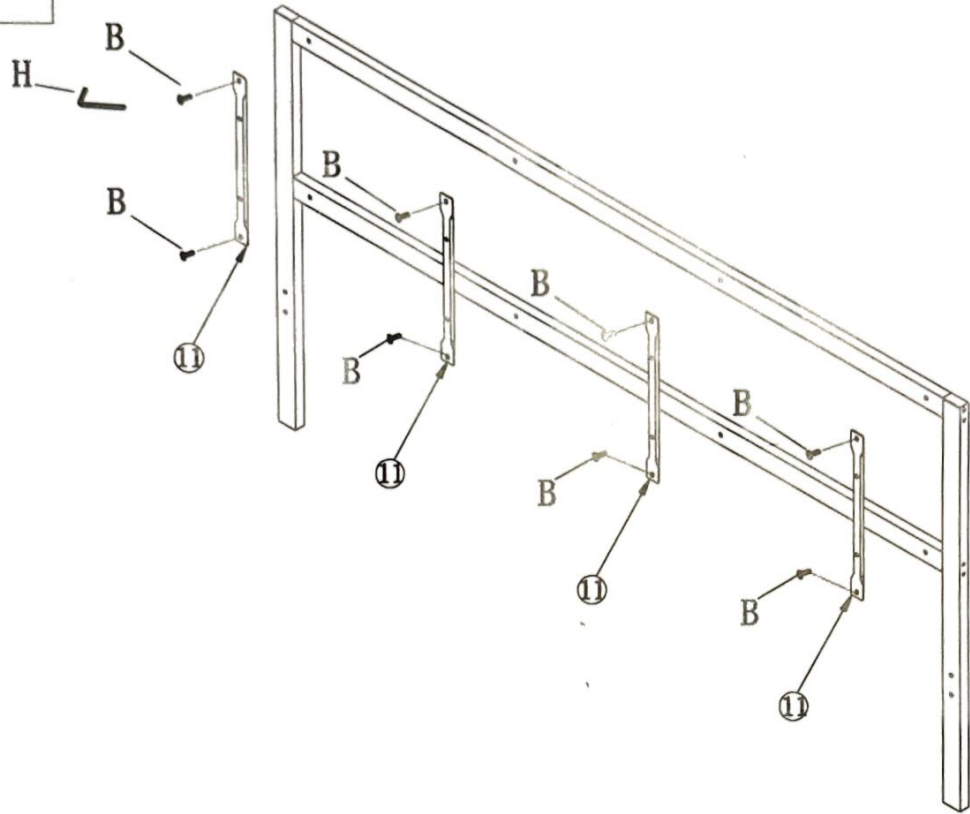
A		M8	4PCS	H		S4	1PC
B		M6*15	24PCS	I			1PC
C		M6*25	36PCS	J		M6*70	16PCS
E		M8*40	8PCS	K		ø6	36PCS
F		ø8	8PCS	L		M6*20	16PCS
G		M6*35	12PCS	M		M6	20PCS

Step1			
J		M6*70	8PCS
K		ø6	8PCS
H			





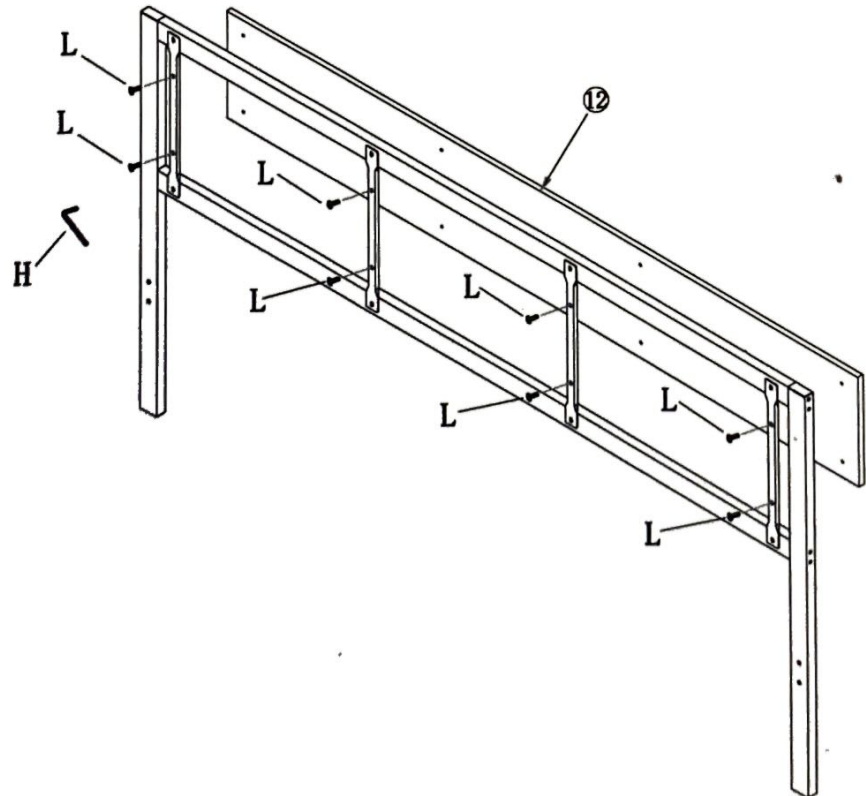
Step2

B		M6*15	8PCS
H			






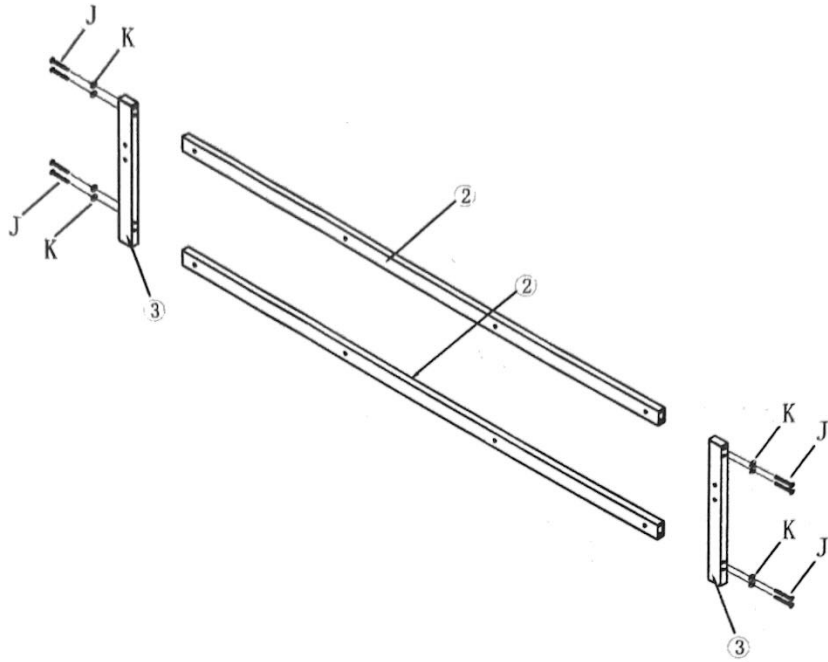
Step3

L		M6*20	8PCS
H			





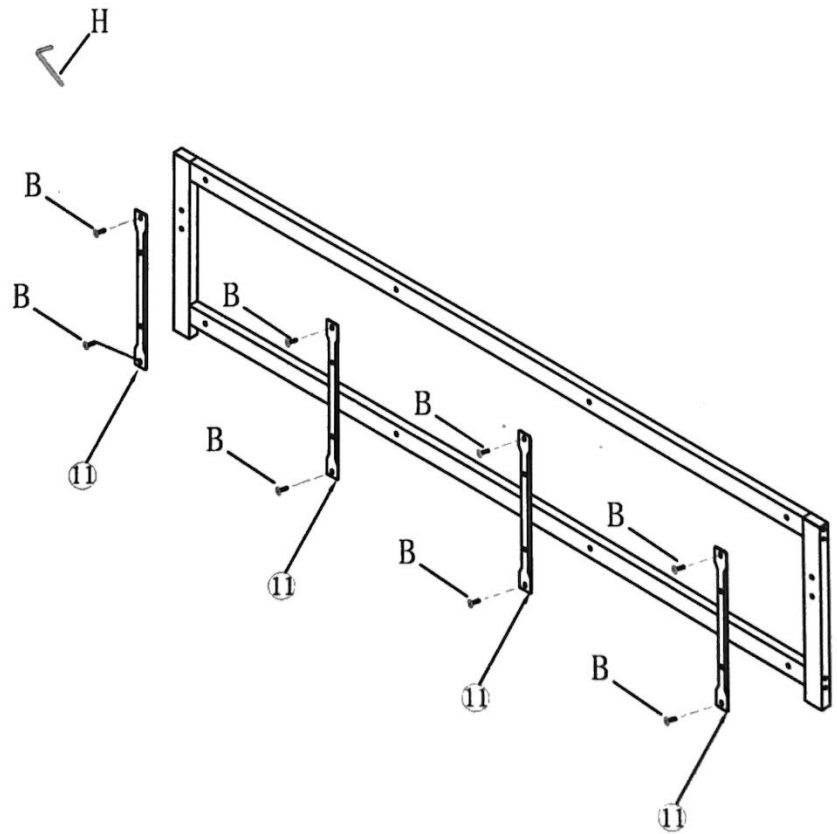
Step4

J		M6*70	8PCS
K		ø6	8PCS
H			





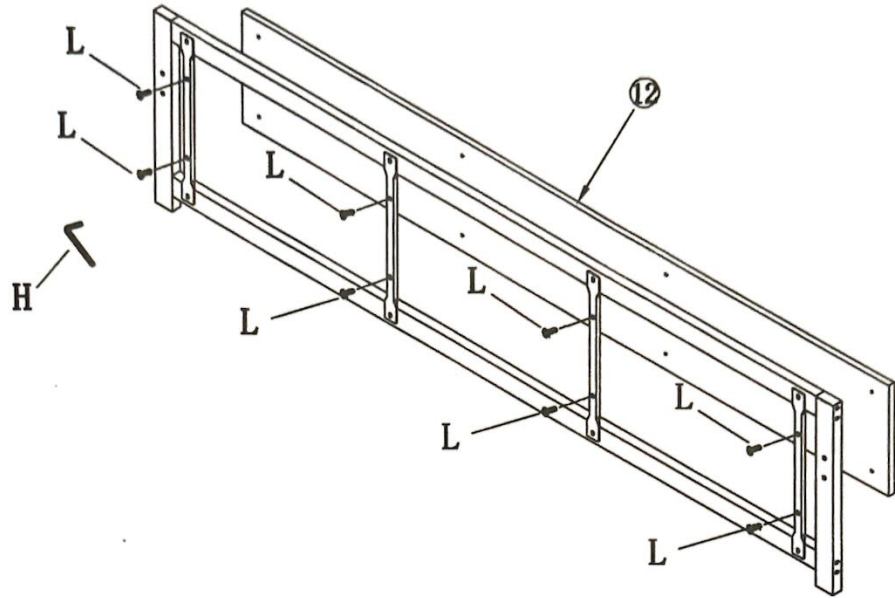
Step5

B		M6*15	8PCS
H			


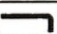


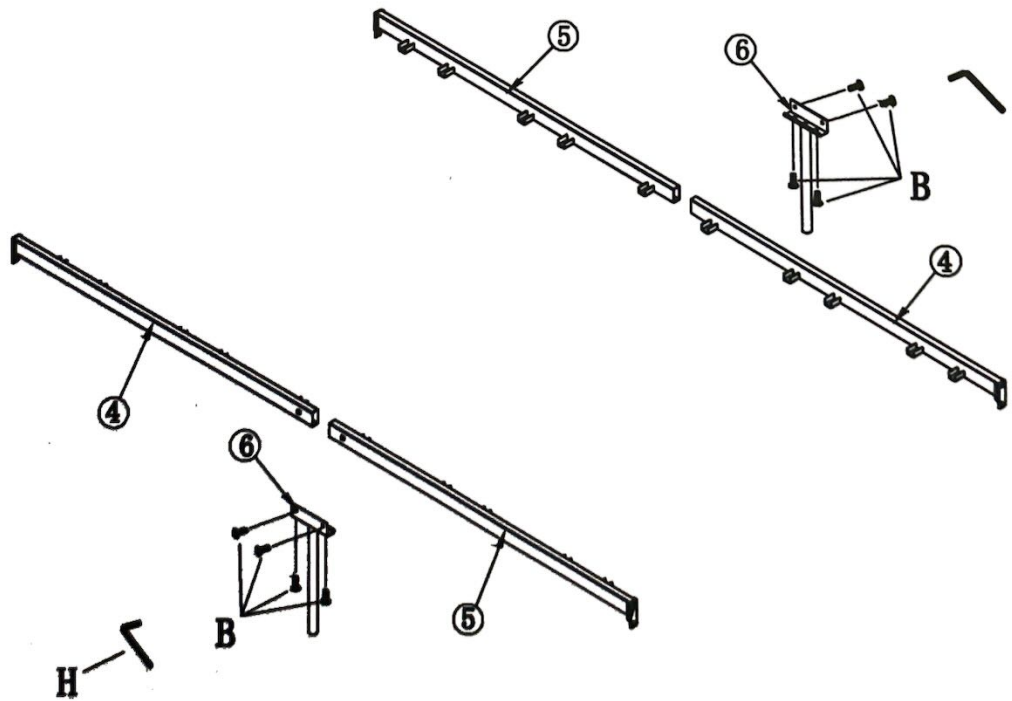
Step6

L		M6*20	8PCS
H			








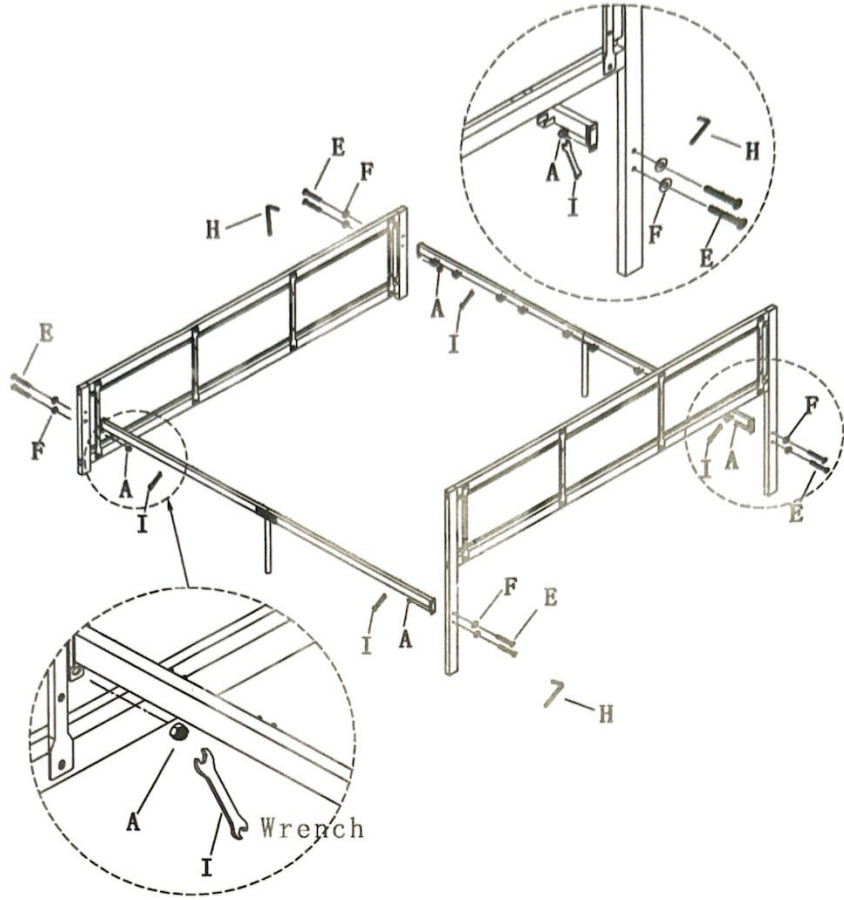
Step7

B		M6*15	8PCS
H			








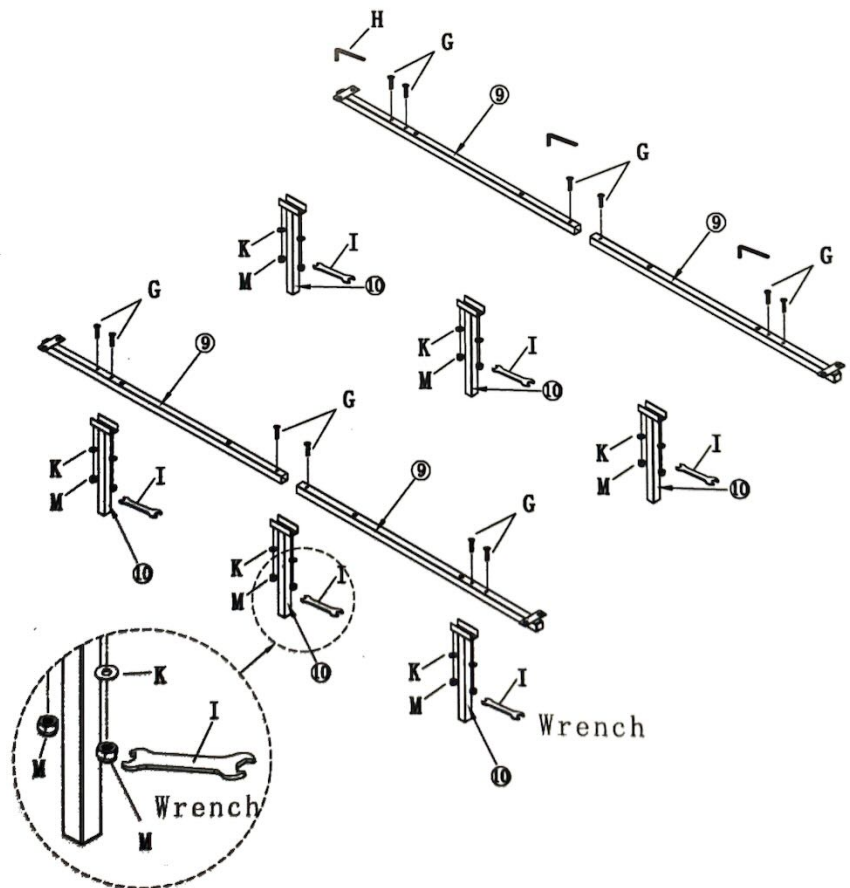
Step8

E		M8*40	8PCS
F		ø8	8PCS
A		M8	4PCS
H			
I			








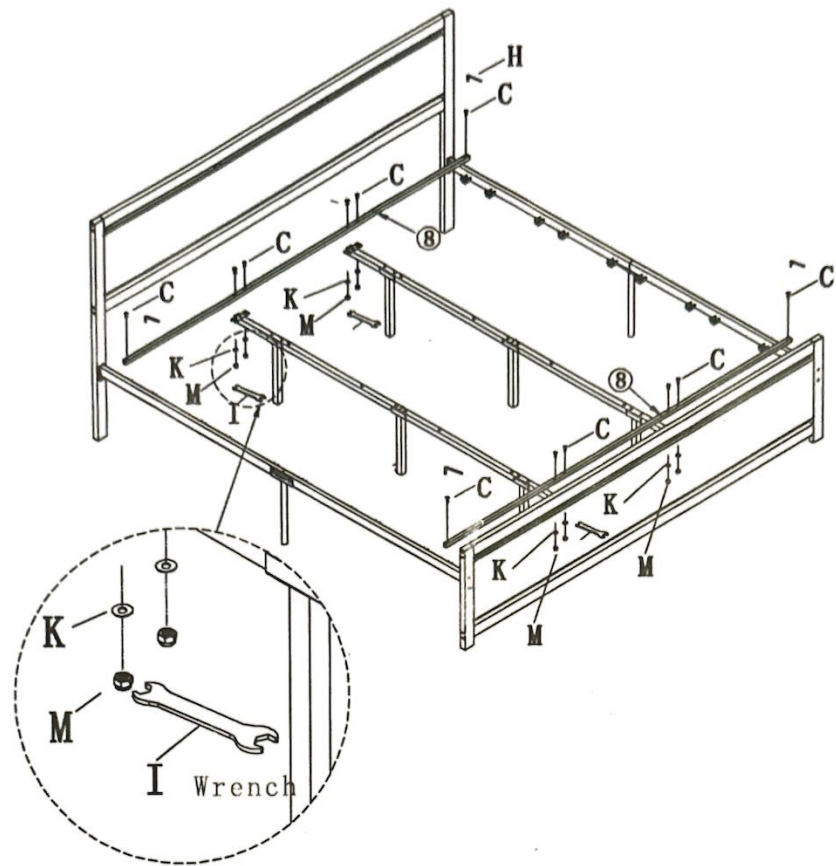
Step9

G		M5*35	12PCS
K		ø6	12PCS
M		M5	12PCS
H			
I			





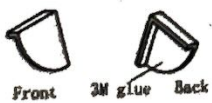
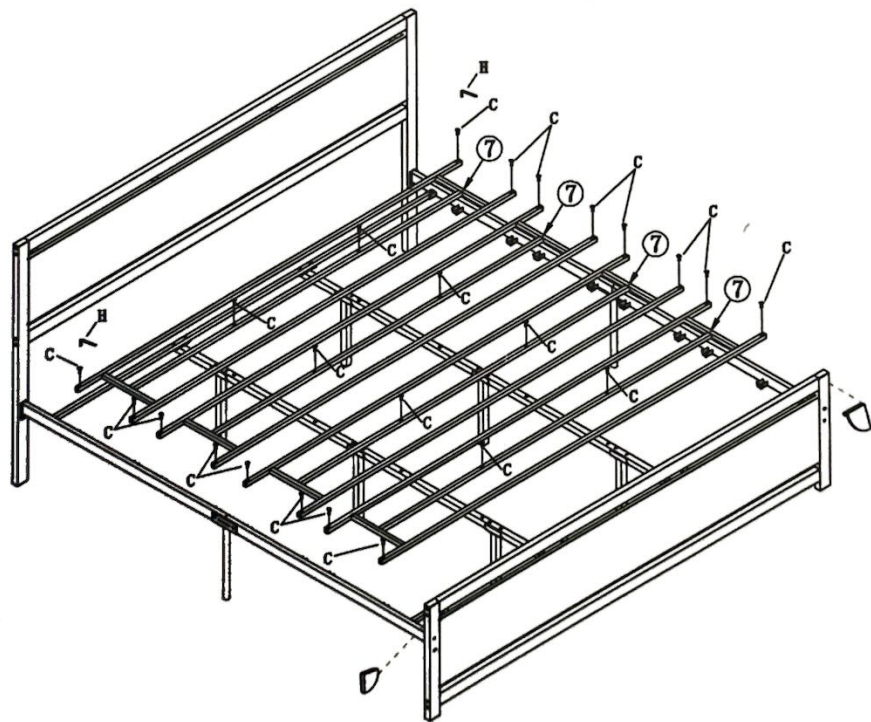
Step10

C		M6*25	12CS
K		ø6	8PCS
M		M6	8PCS
H			
I			



Step11

C		M6*25	24PCS
H			



Turn over the rubber anti-collision block, tear off the paper, and stick 3M glue on the foot of the bed.