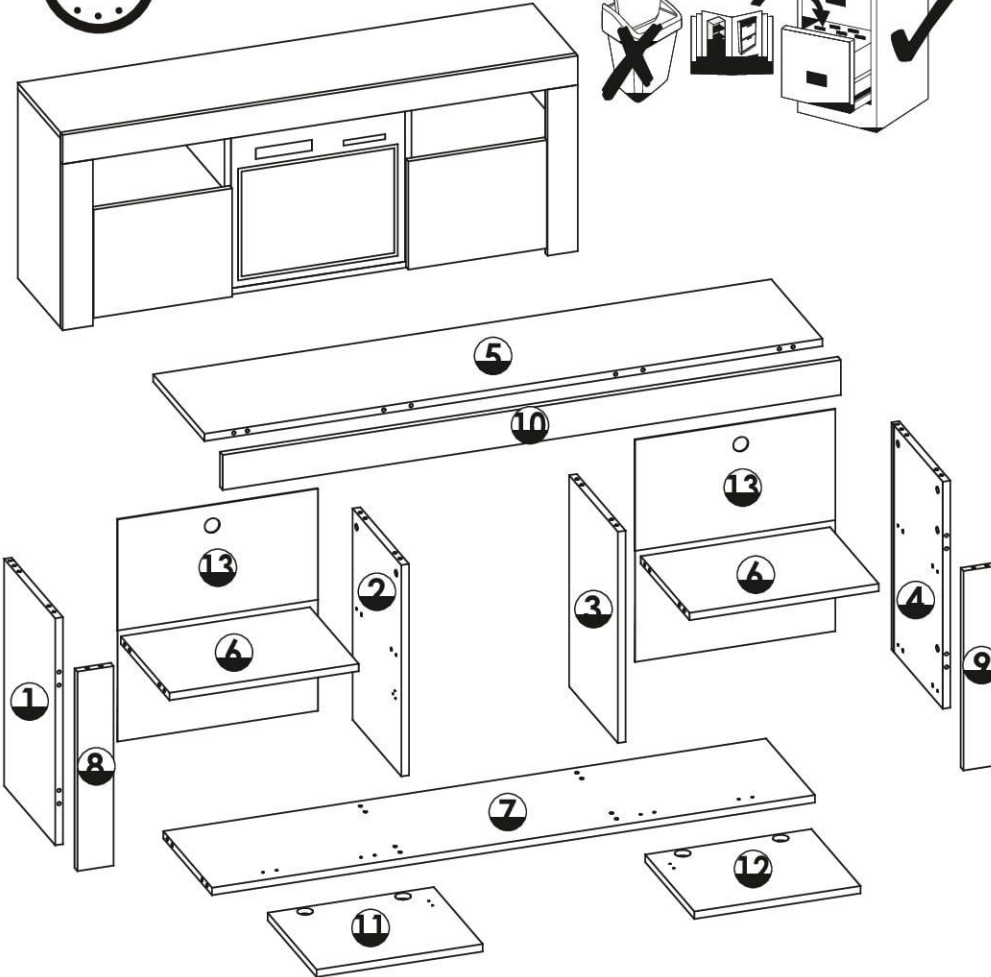
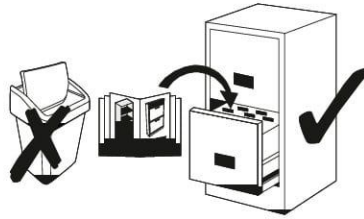




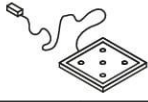


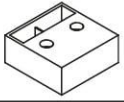



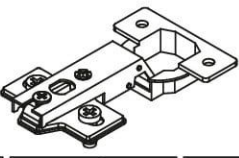






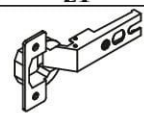





- 60 min.

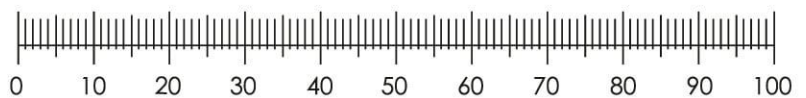


	mm	inch	
①	552 x 330	21,73x12,99	x1
②	513 x 317	20,19x12,48	x1
③	513 x 317	20,19x12,48	x1
④	552 x 330	21,73x12,99	x1
⑤	1450 x 330	57,09x12,99	x1
⑥	456 x 317	17,95x12,48	x2
⑦	1413 x 317	55,63x12,48	x1
⑧	485 x 85	19,09x3,35	x1
⑨	485 x 85	19,09x3,35	x1
⑩	1450 x 85	57,09x3,35	x1
⑪	406 x 306	15,98x12,05	x1
⑫	406 x 306	15,98x12,05	x1
⑬	485 x 540	19,09x21,26	x2

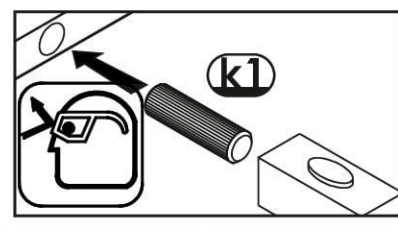
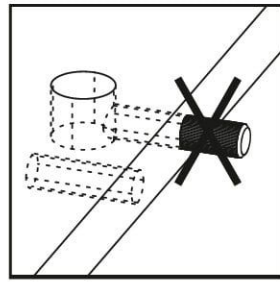
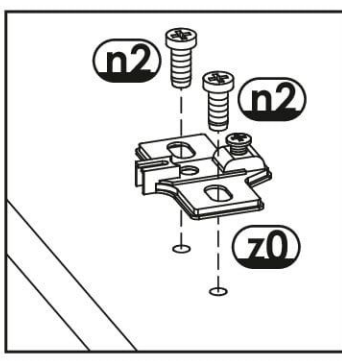
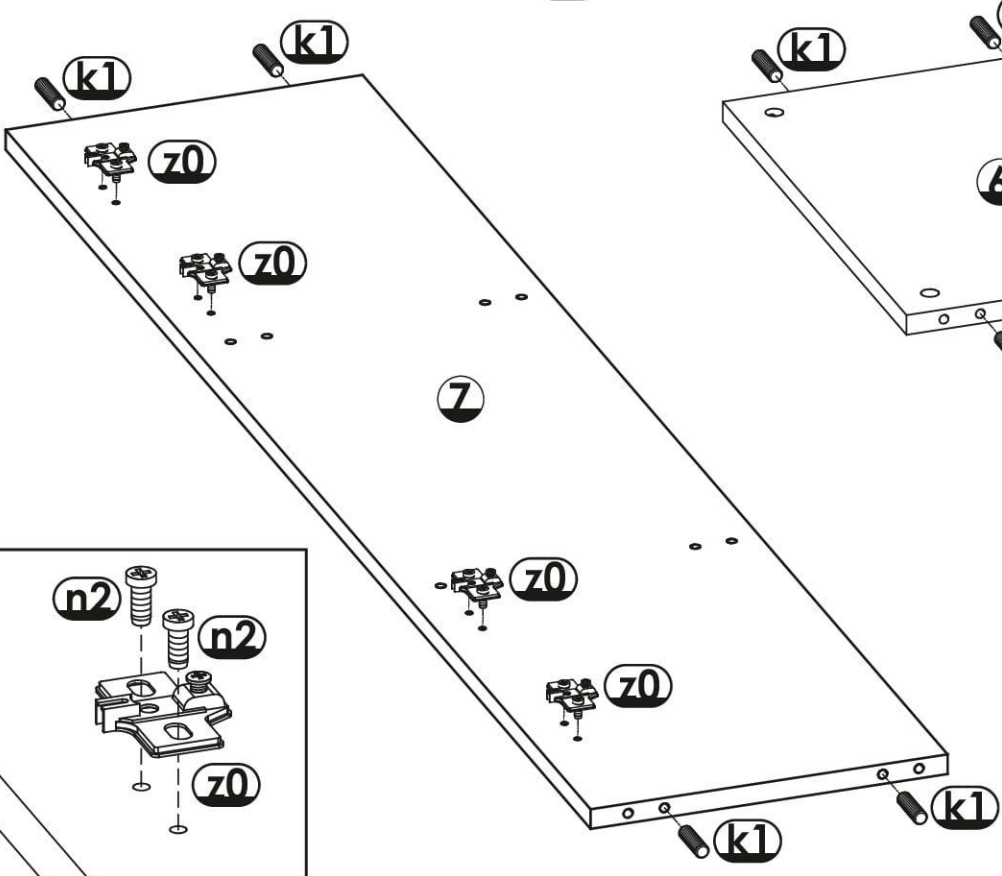
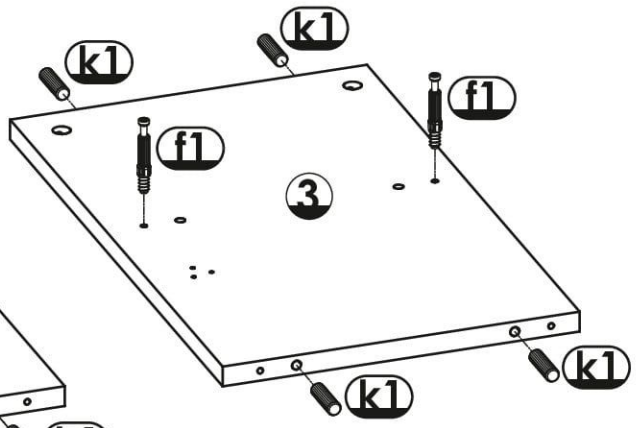
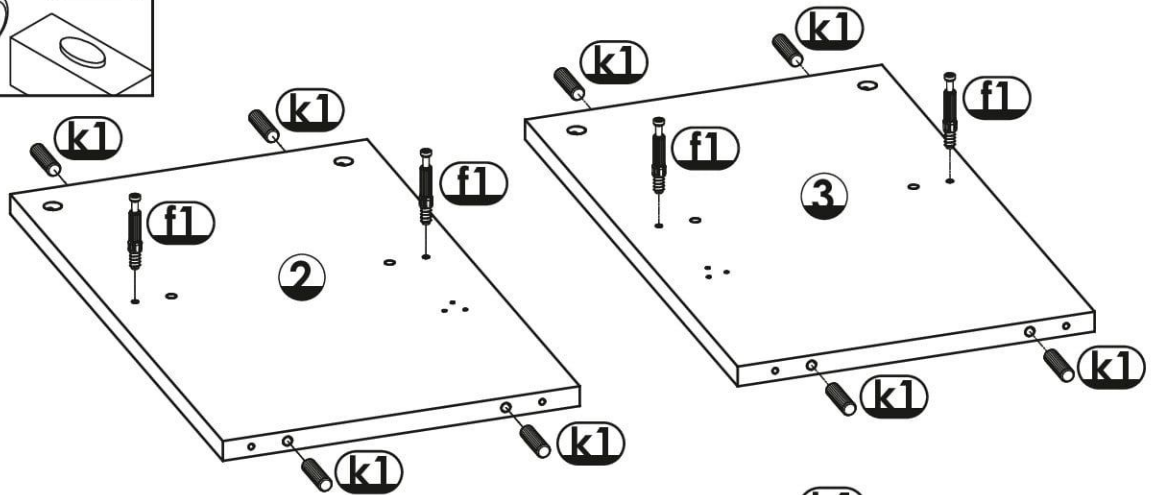
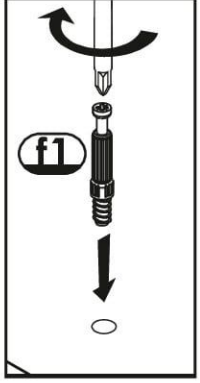
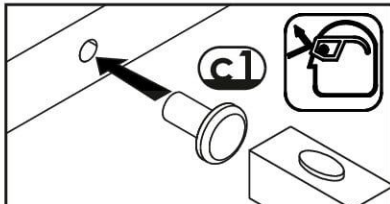
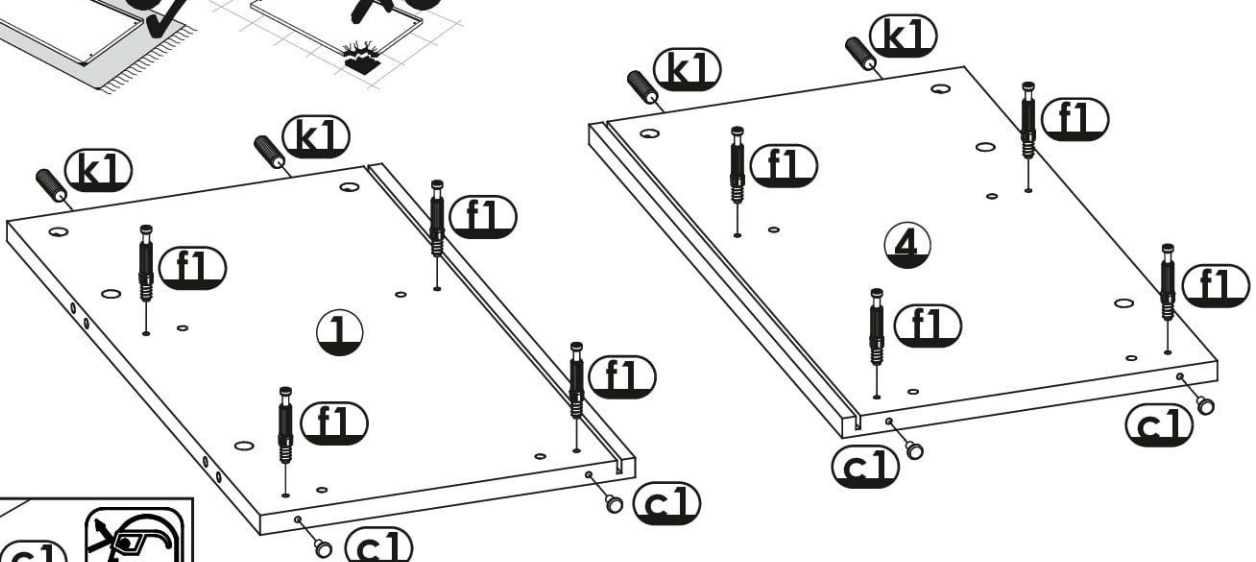
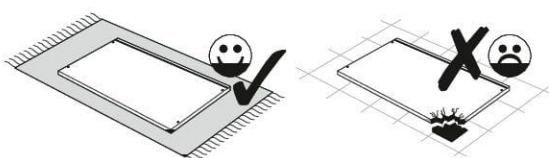


nk1  x4	led-w  x1	led-3a  x2	m  x1	g1  x4	c8  x2	n13  3,5x22 x4
---	---	--	---	--	--	---

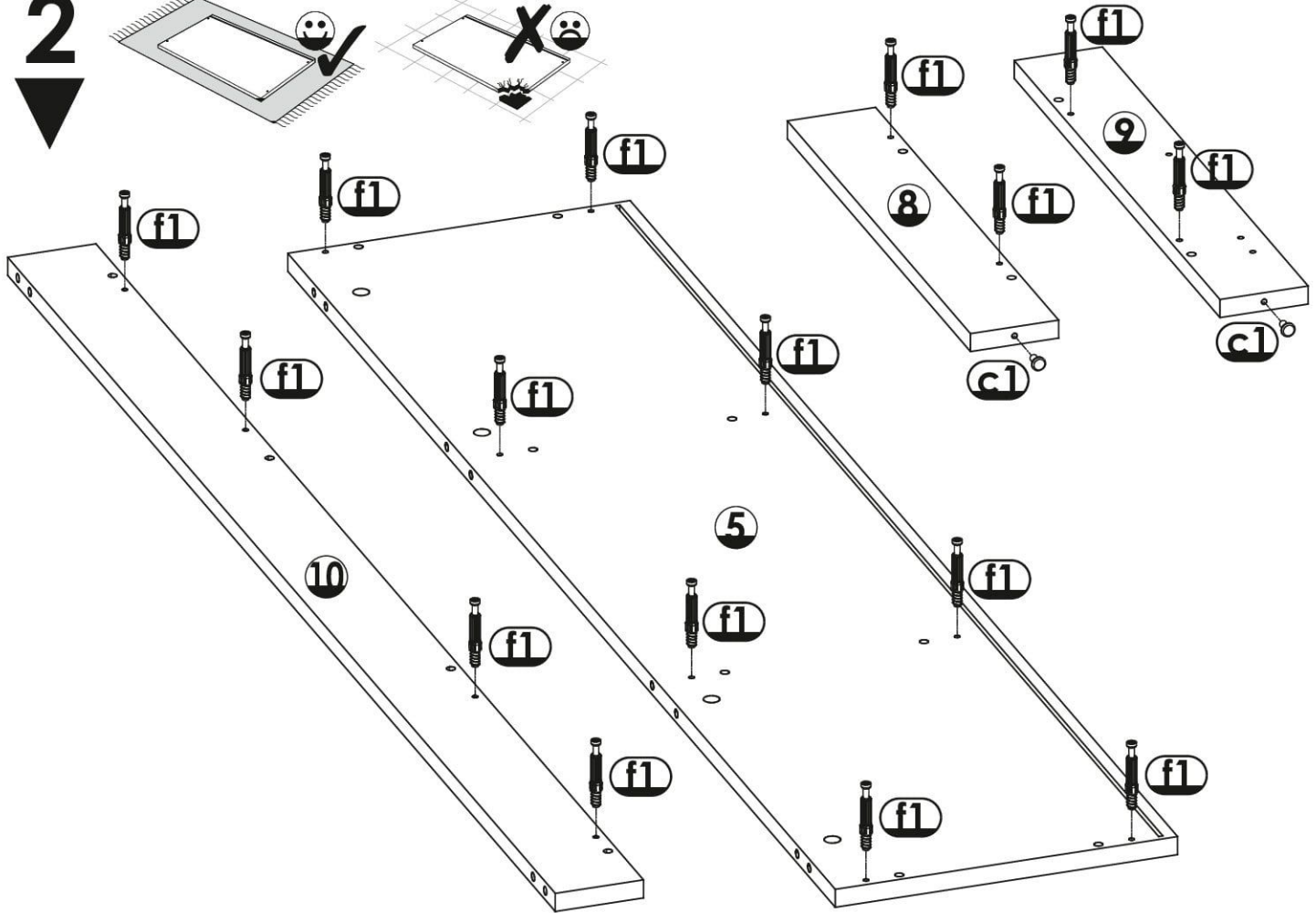
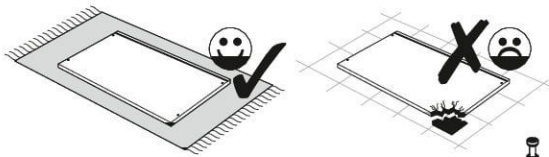
 z0 x4			e0  x28	e1  x28	f1  x28	h3  x8	c1  x6
n2  x8	z1  x4	n1  4x16 x8	w1  ~15	k1  x36	p10  x2	n7  x10	



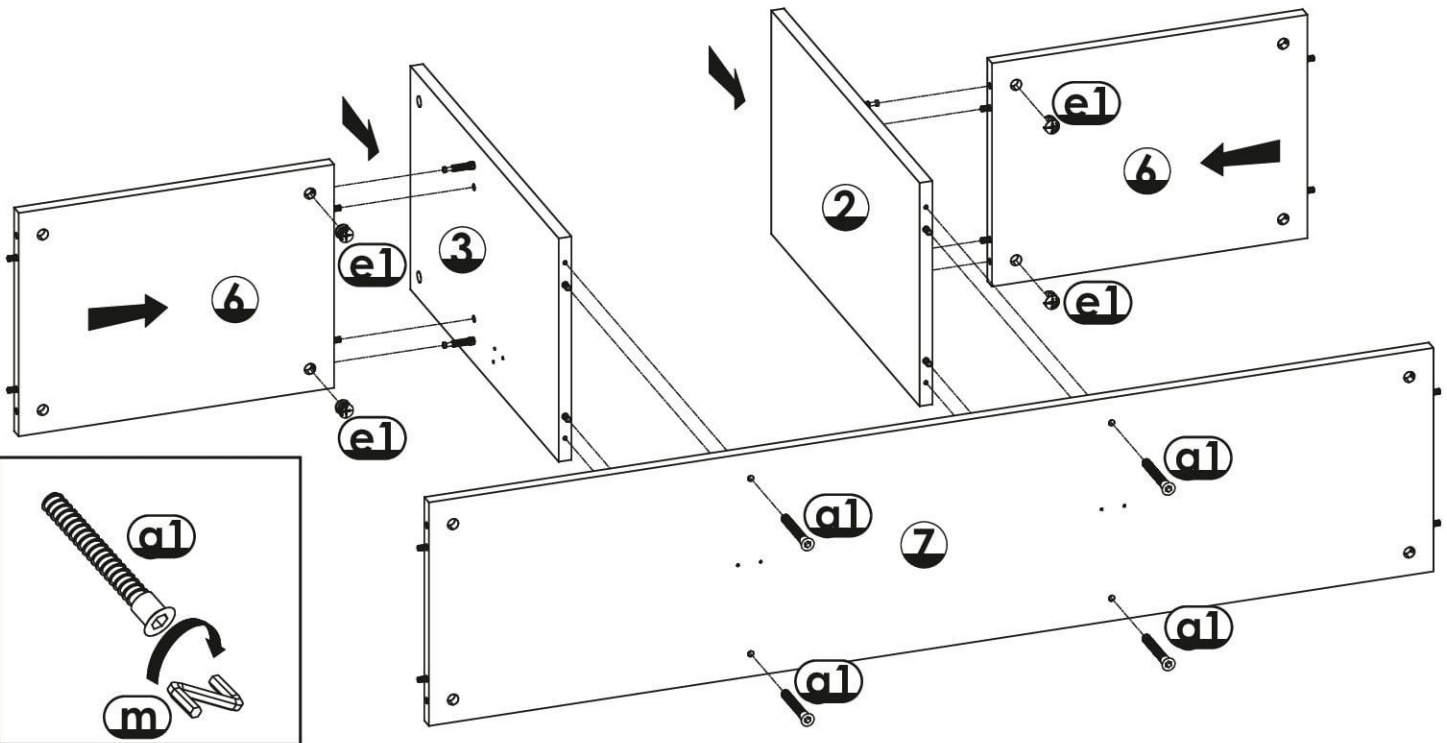
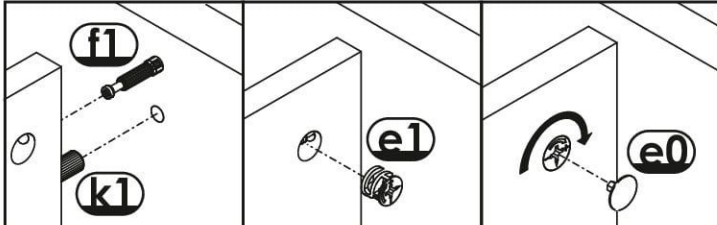
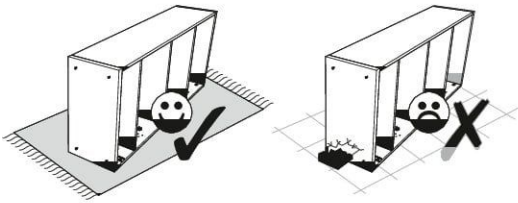
1

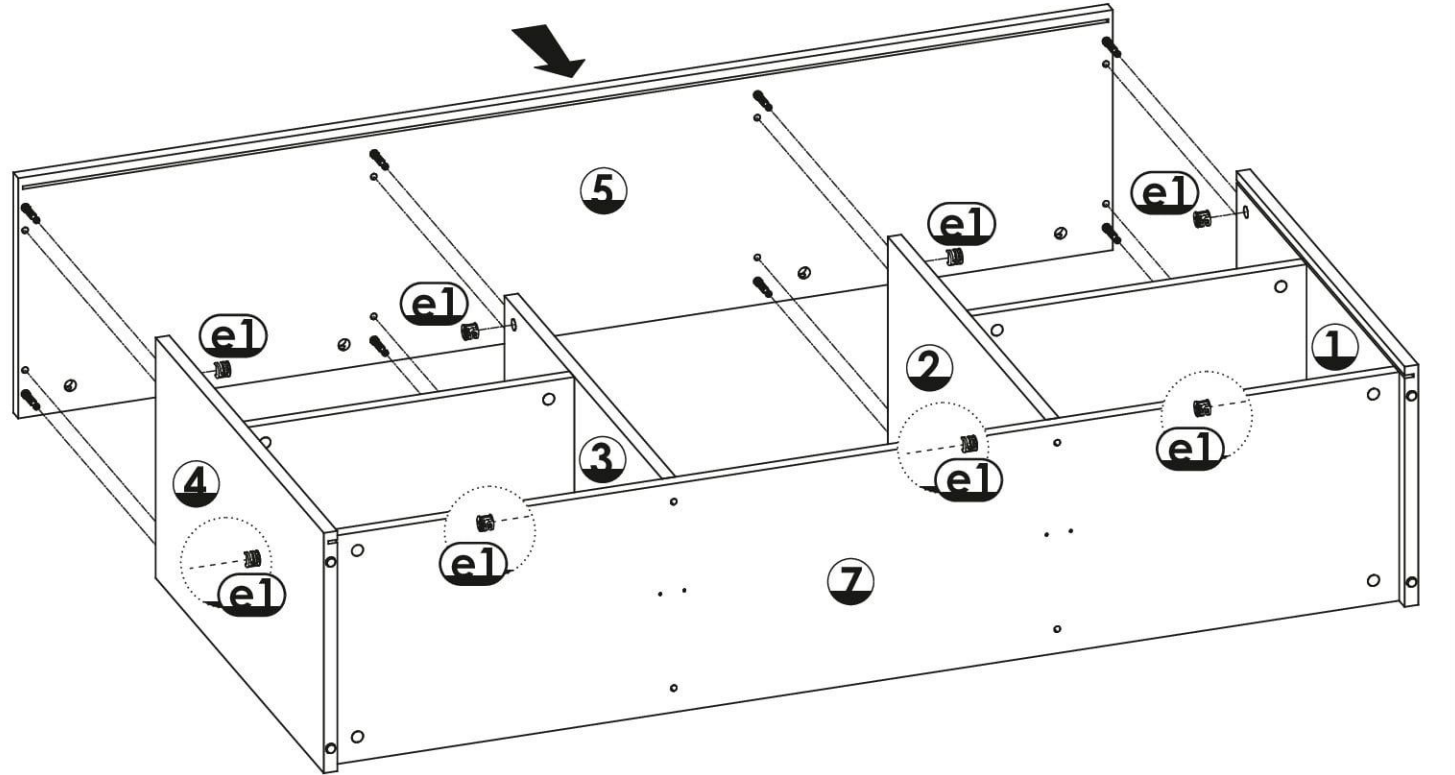
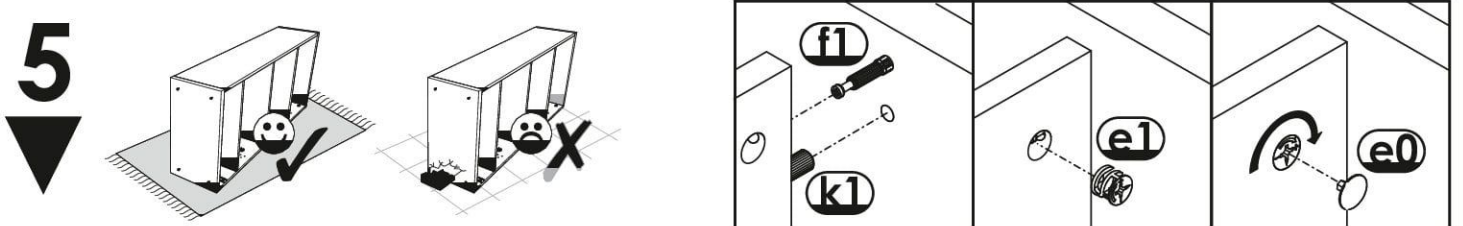
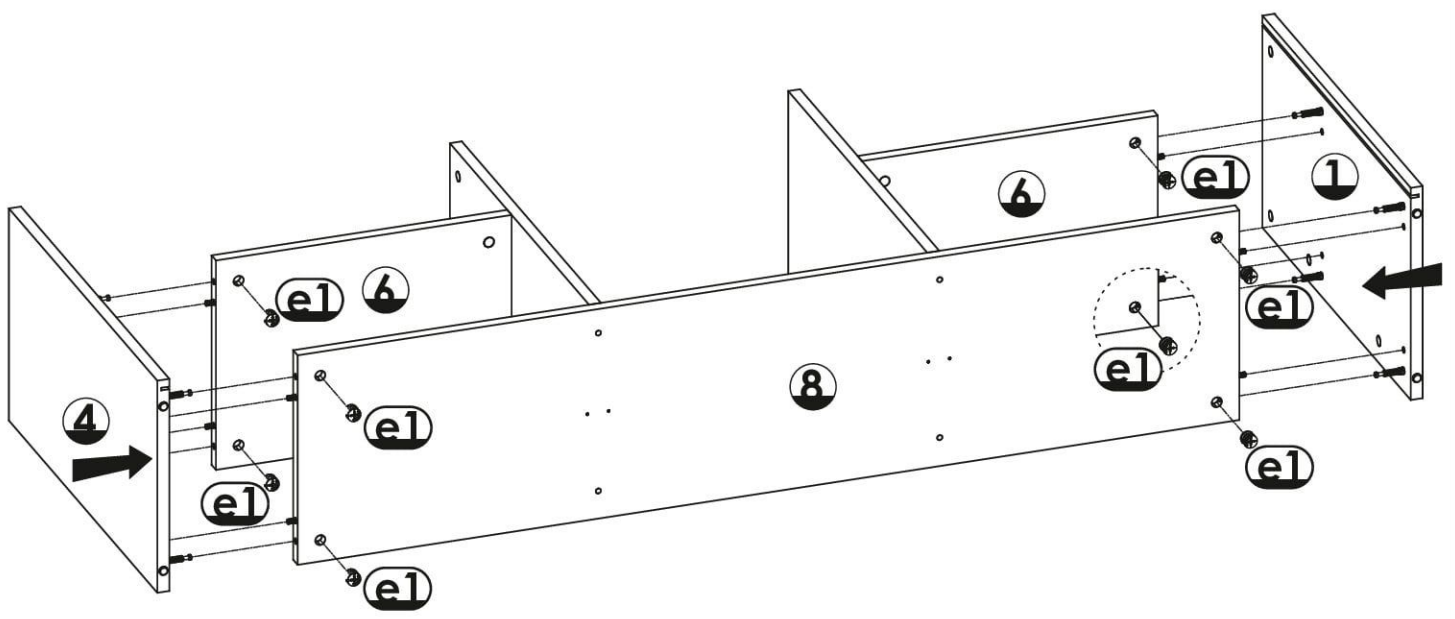
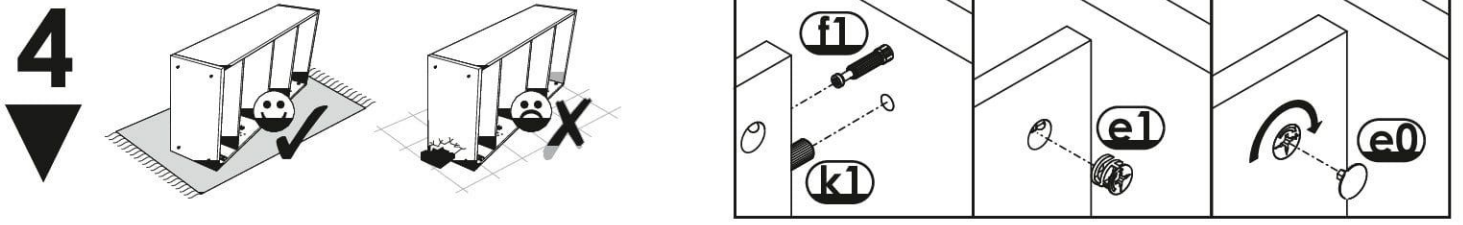


2



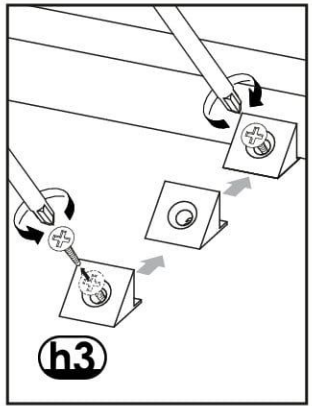
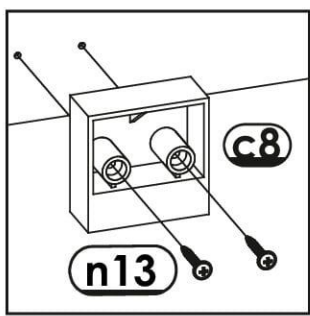
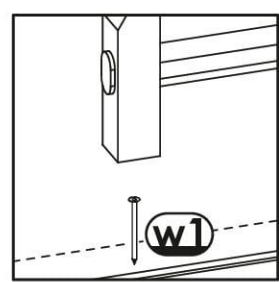
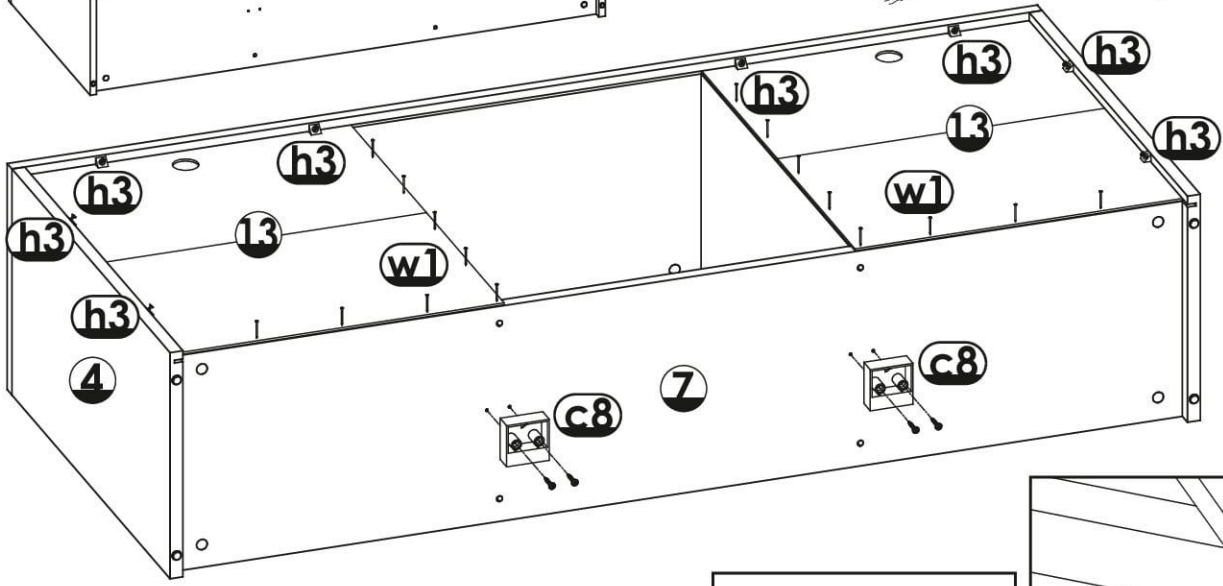
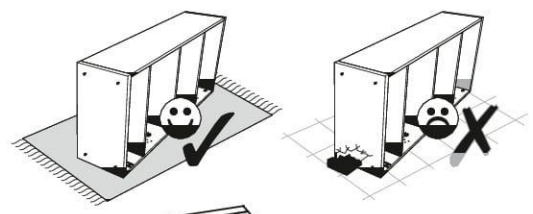
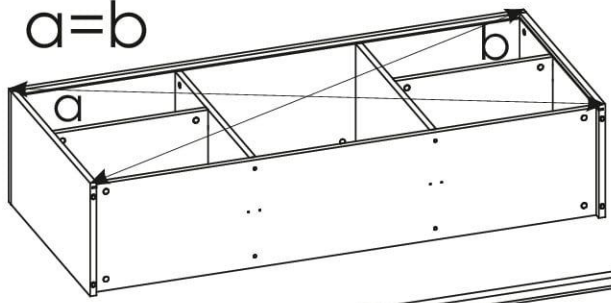
3



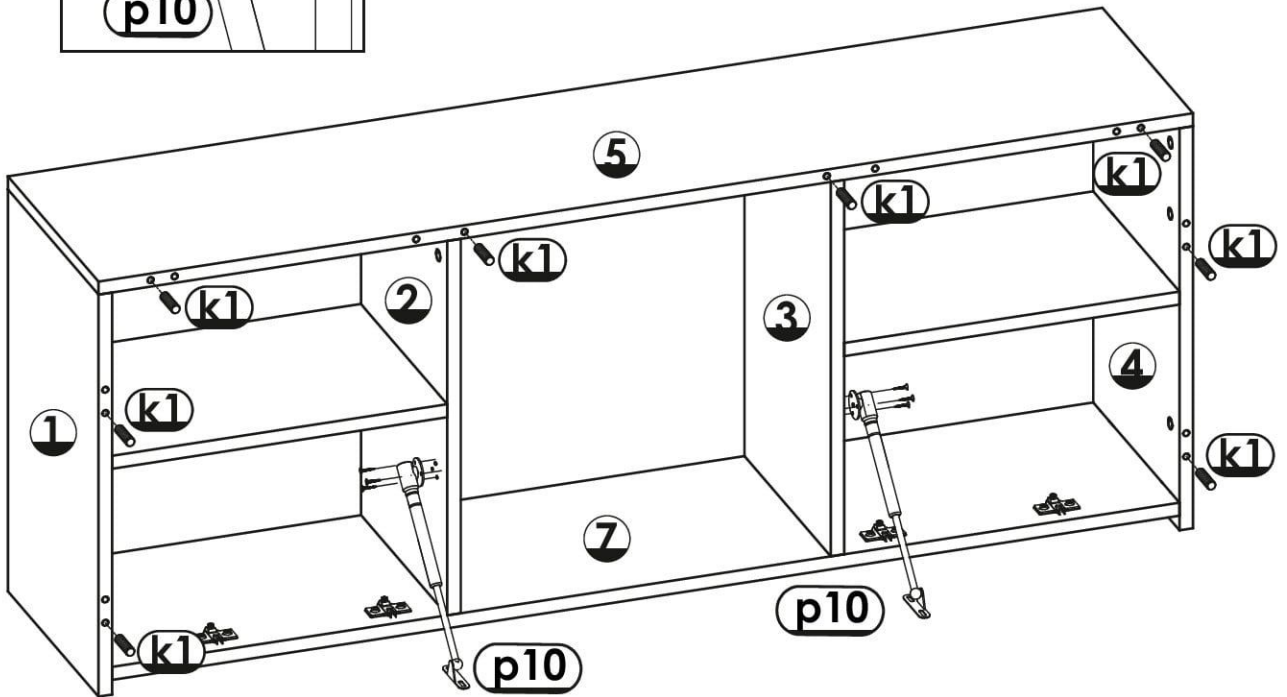
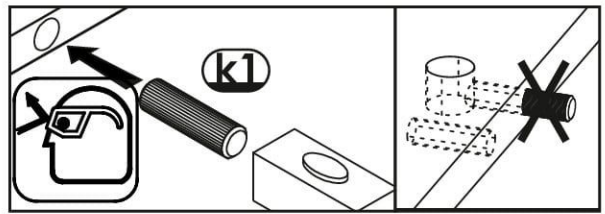
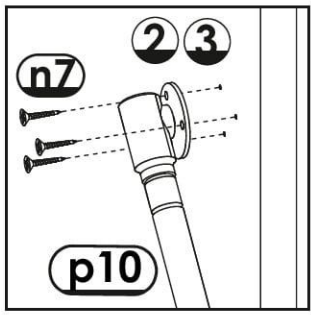


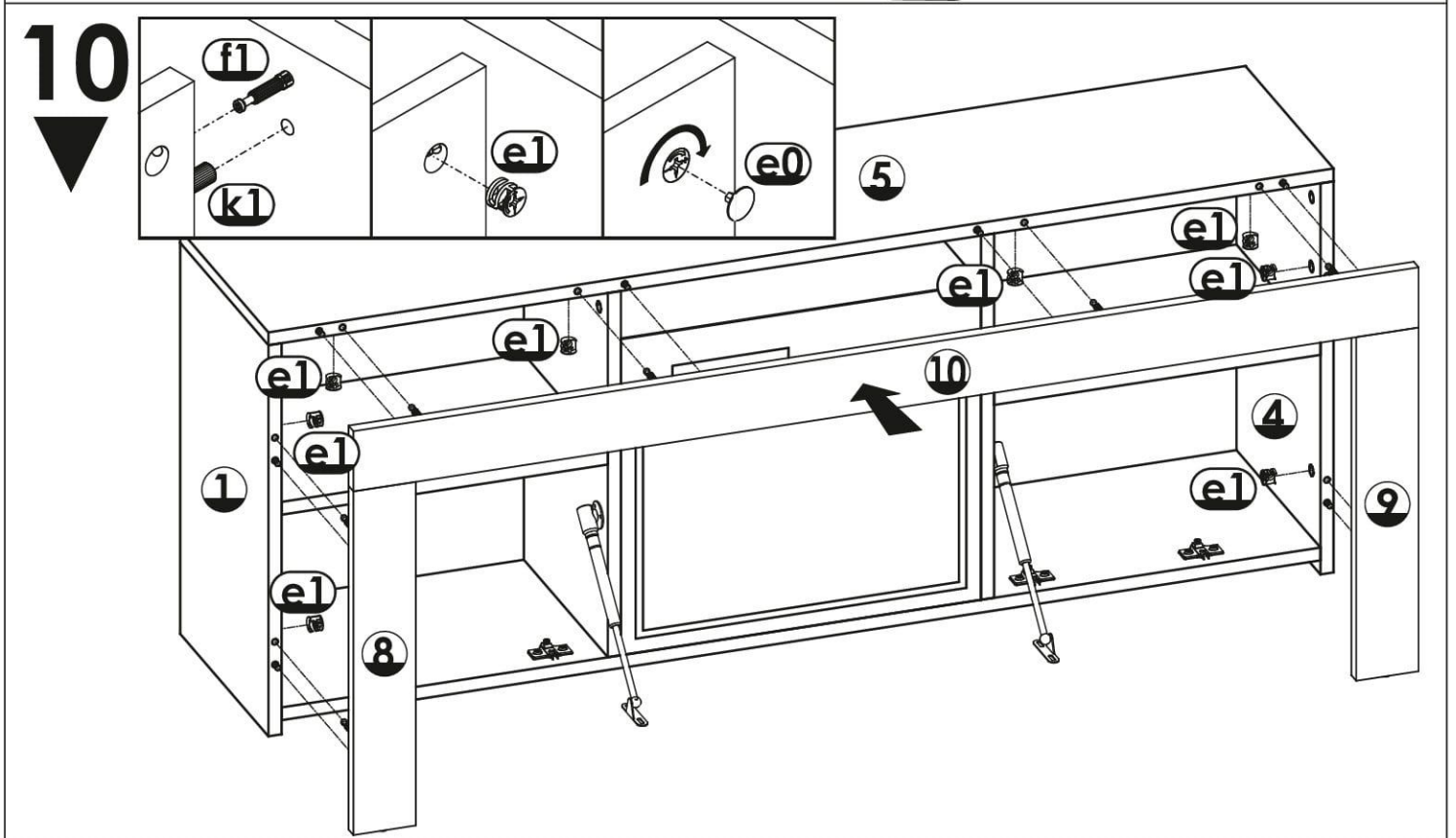
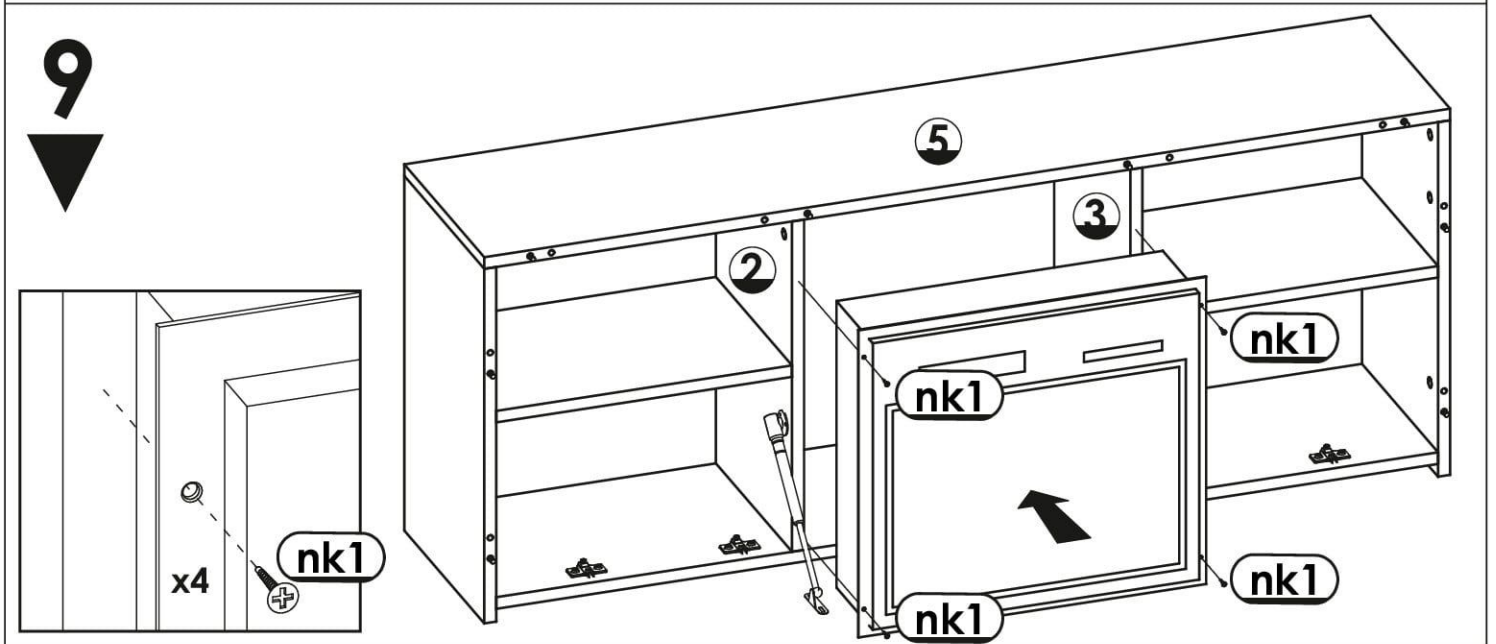
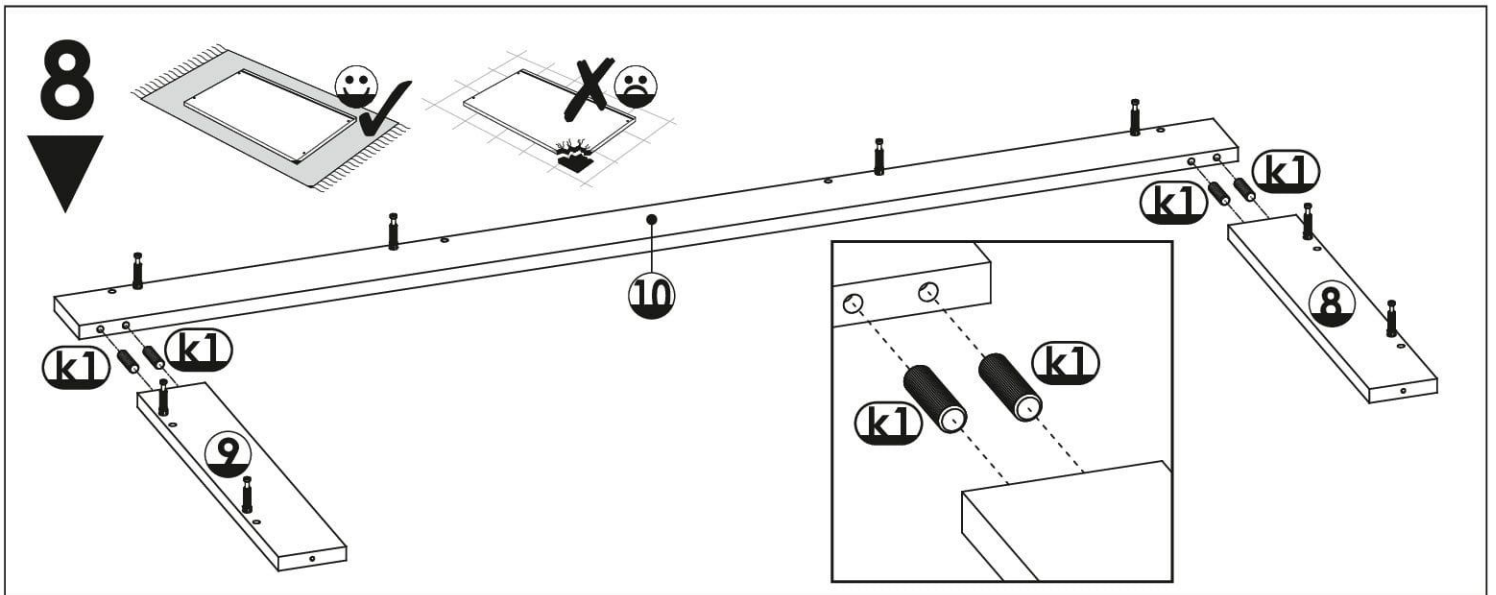
6

a=b

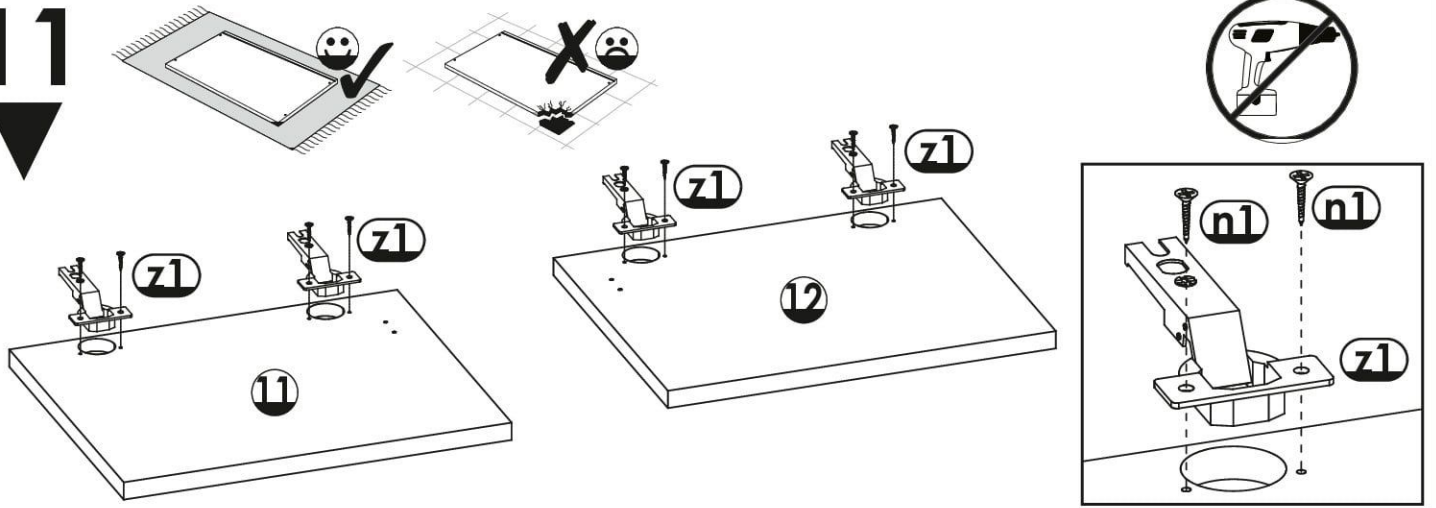


7





11
▼



12
▼

