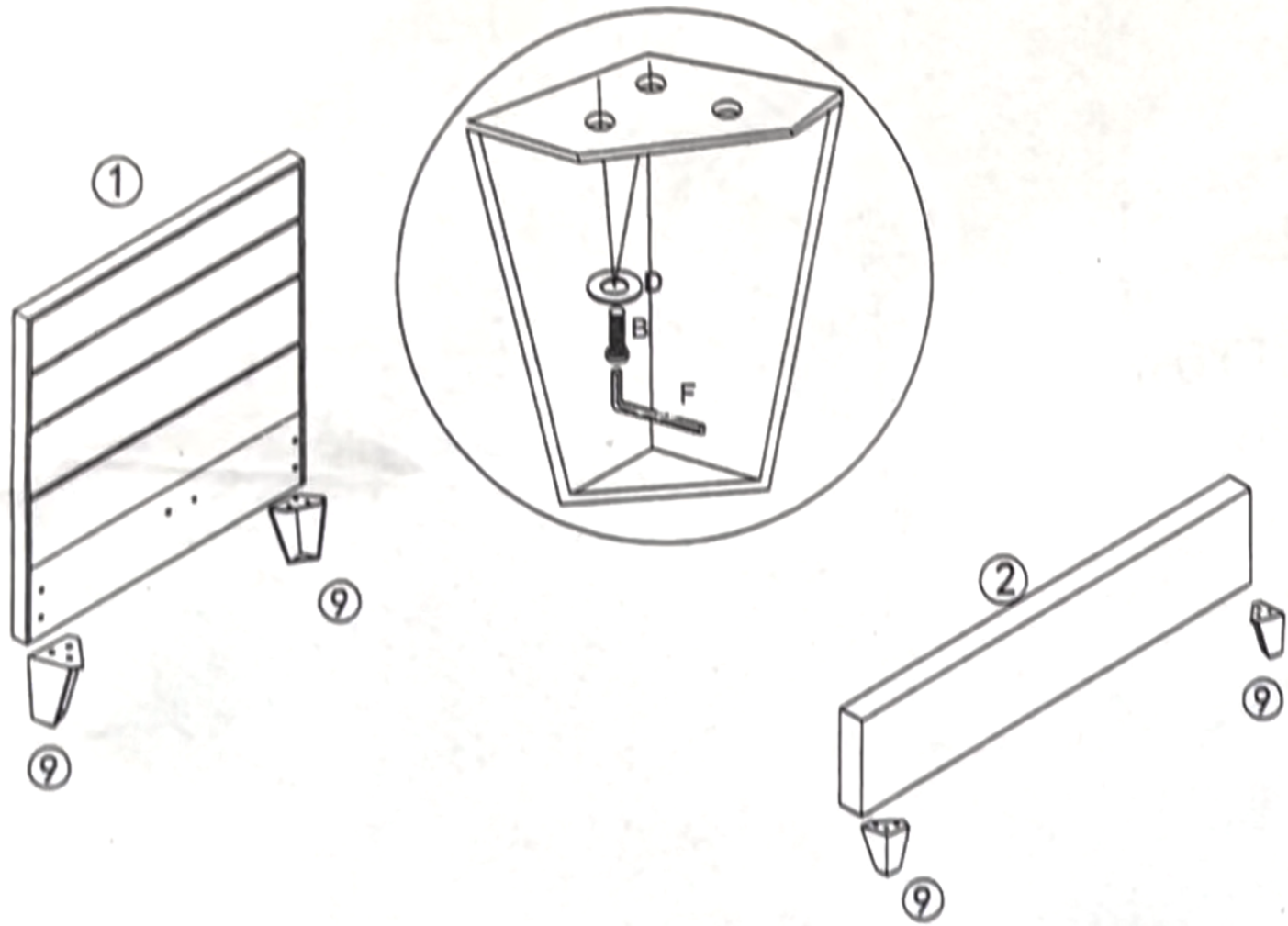


STEP 1:



PARTS REQUIRED

- ① Head Board\*1
- ② Foot Board\*1
- ⑨ Leg\*4

HARDWARE REQUIRED

- D\*8
- F\*1
- B\*8

# STEP 2:

## PARTS REQUIRED

⑤ Center Support Bar\*1

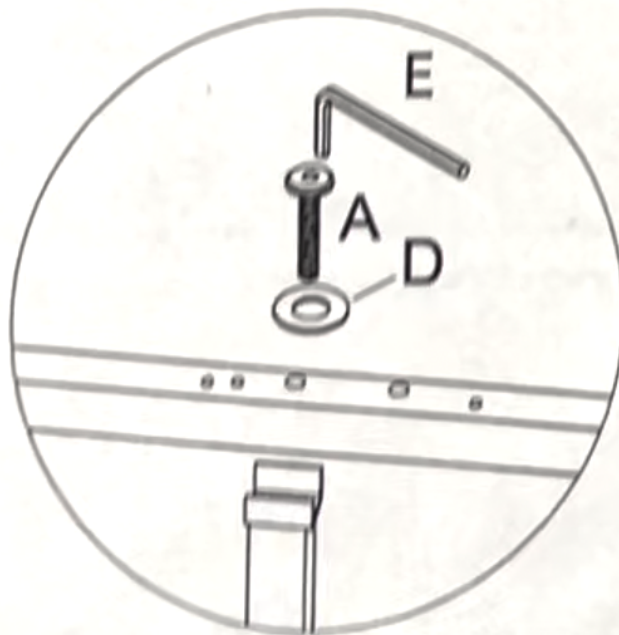
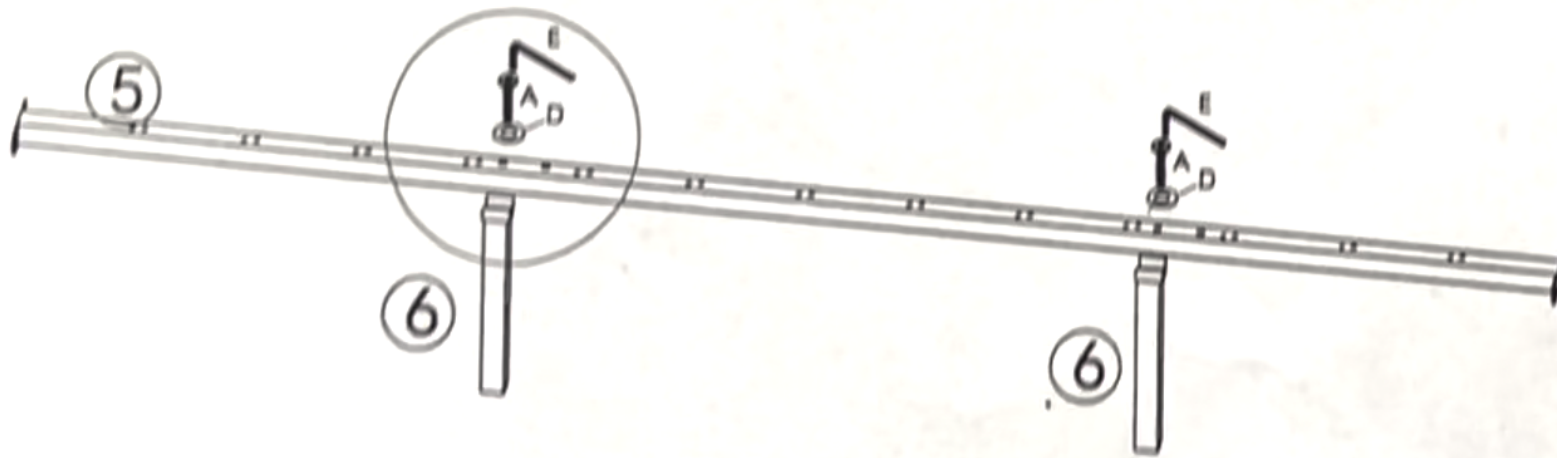
⑥ Support Legs\*2

## HARDWARE REQUIRED

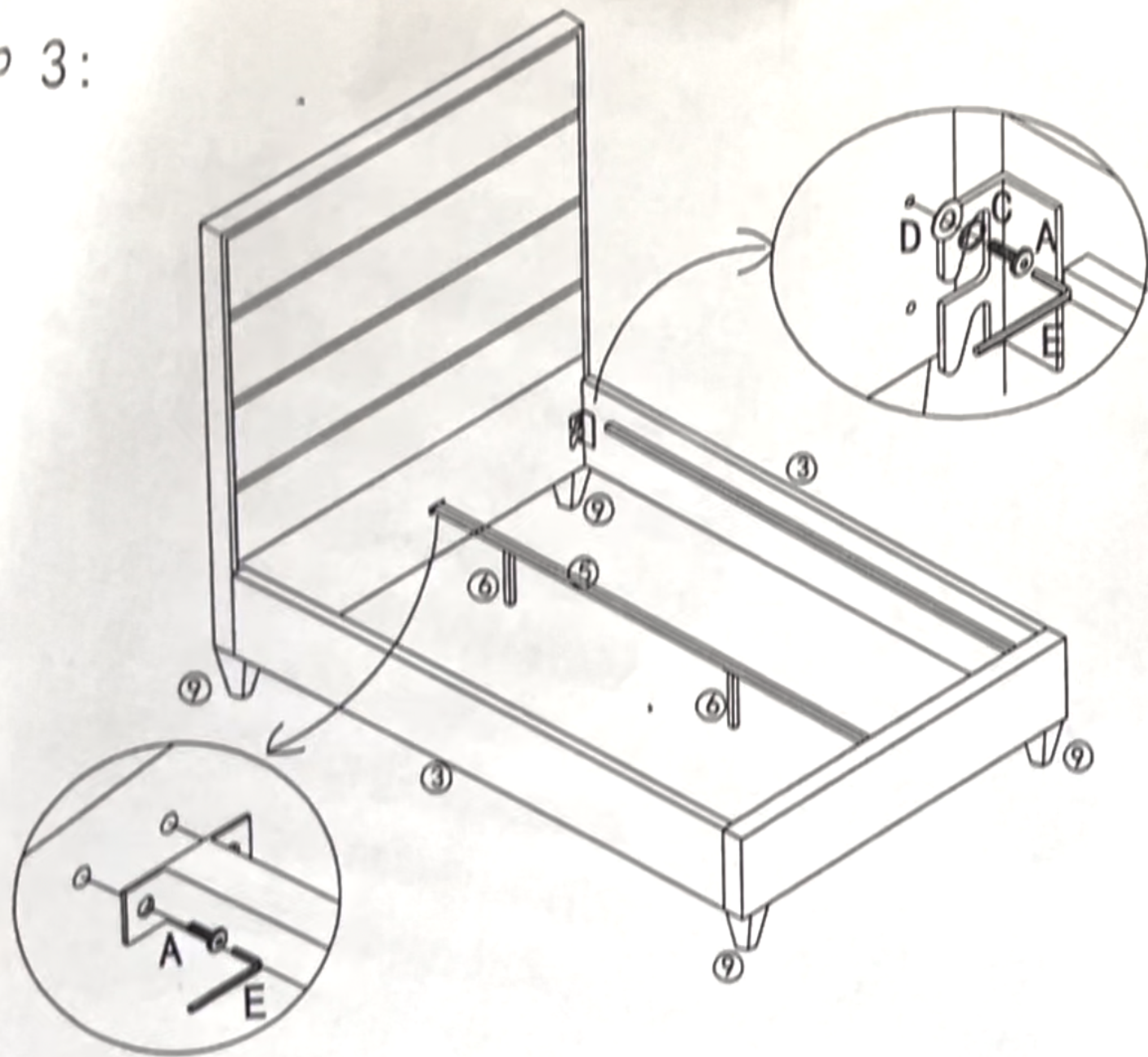
A\*2

D\*2

E\*1



EP 3:



#### PARTS REQUIRED

- ① Head Board\*1
- ② Foot Board\*1
- ③ Side Rail\*2
- ⑤ Center Support Bar\*1
- ⑥ Support Leg\*2
- ⑨ Leg\*4

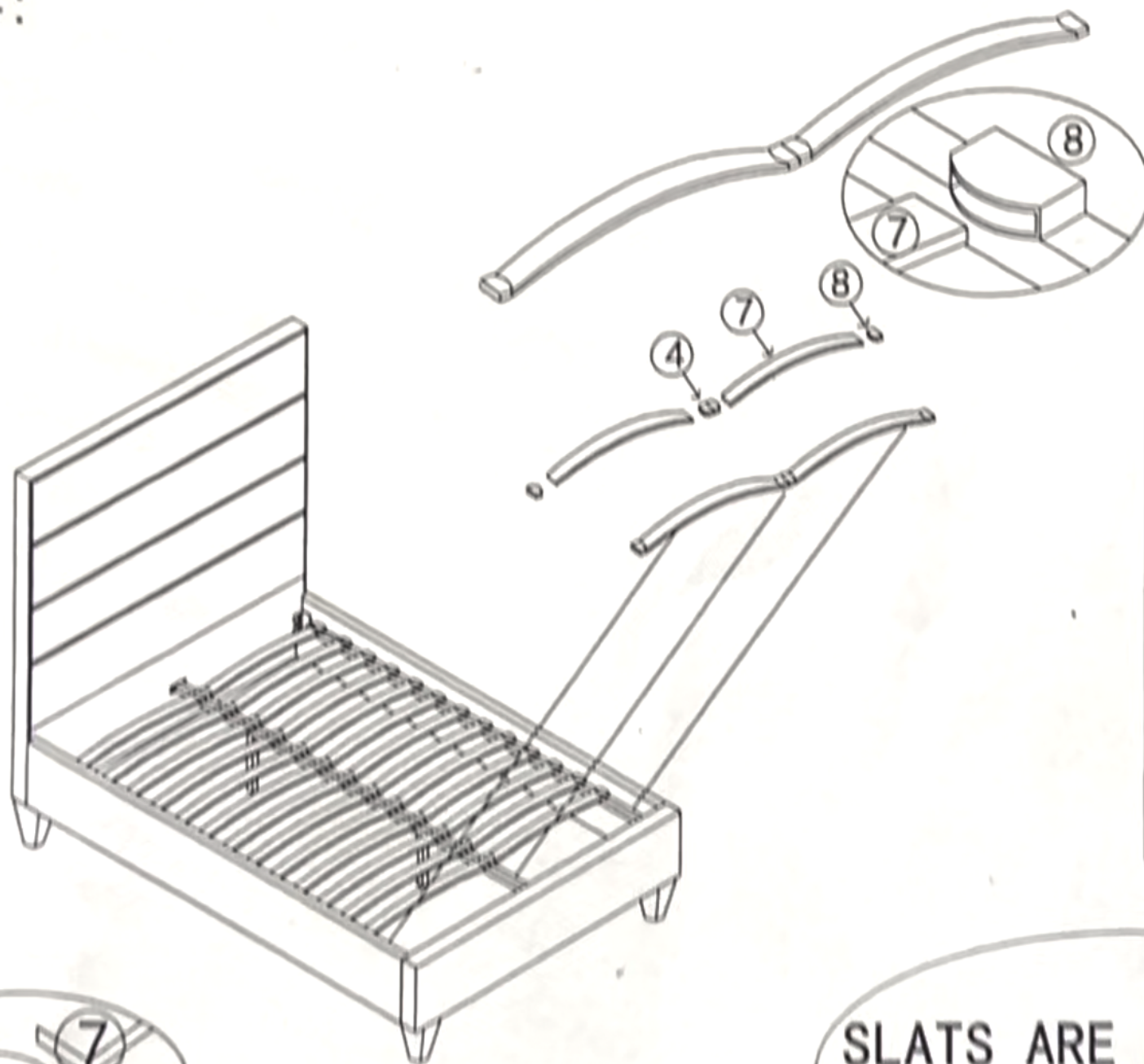
#### HARDWARE REQUIRED

- A\*12
- C\*8
- D\*8
- E\*1



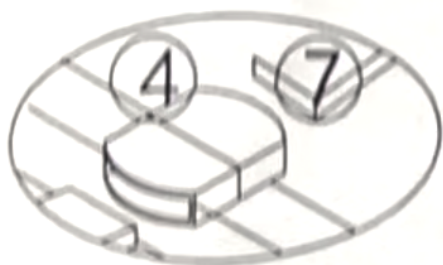
STEP 4:

DON'T PUT SLATS UPSIDE DOWN !



PARTS REQUIRED

- ① Head Board\*1
- ② Foot Board\*1
- ③ Side Rail\*2
- ④ DOUBLE PLASTIC CAP\*15
- ⑤ Center Support Bar\*1
- ⑥ Support Leg\*2
- ⑦ SLATS\*30
- ⑧ SINGLE PLASTIC CAP\*30
- ⑨ Leg\*4



SLATS ARE IN BOTTOM OF HEADBOARD BOX !