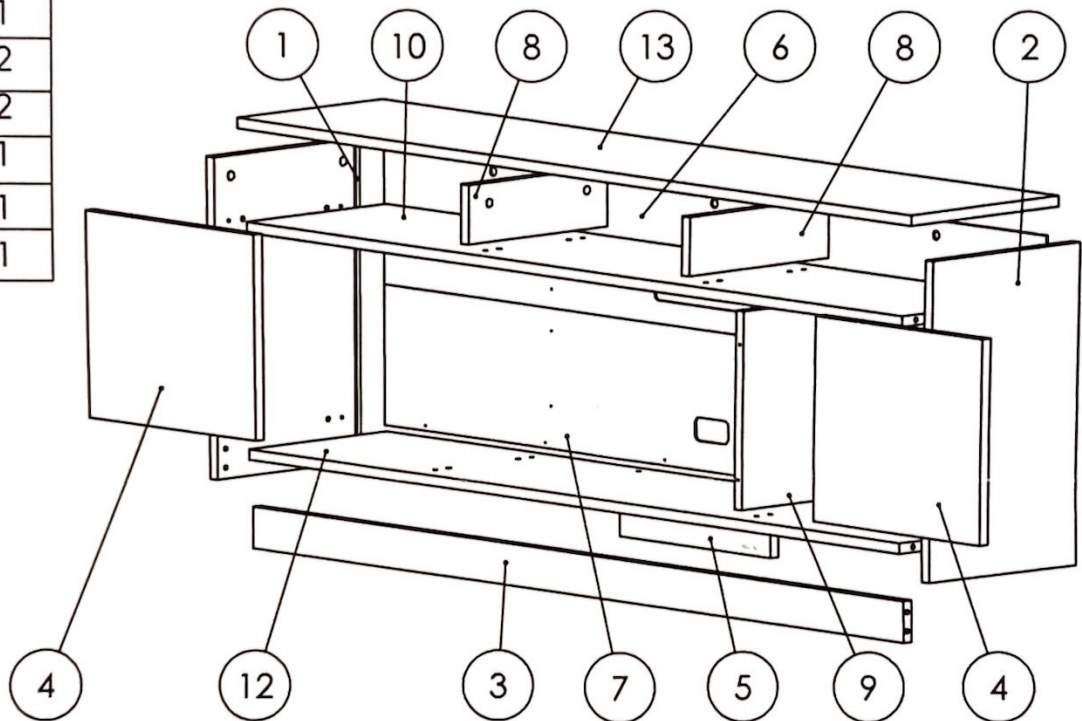
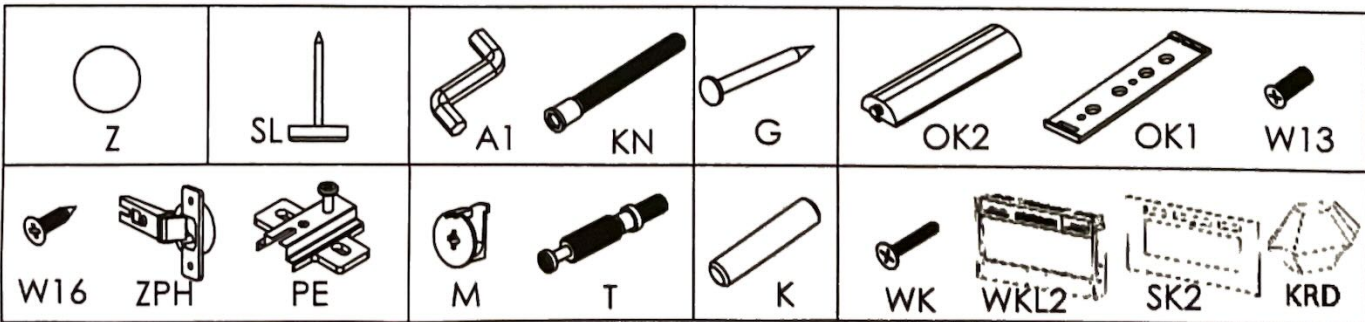


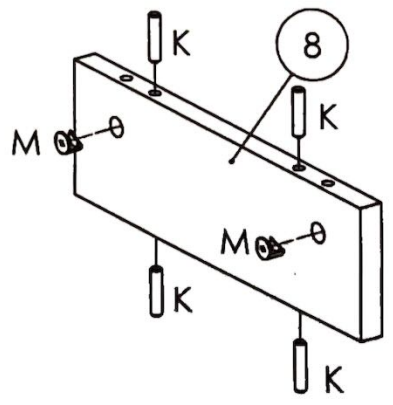
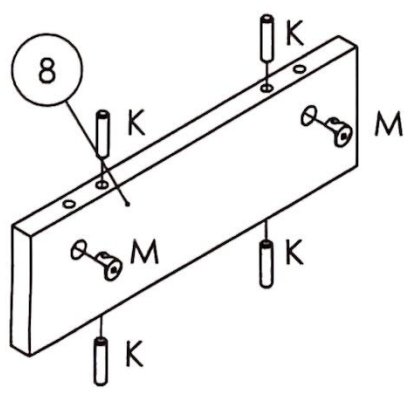
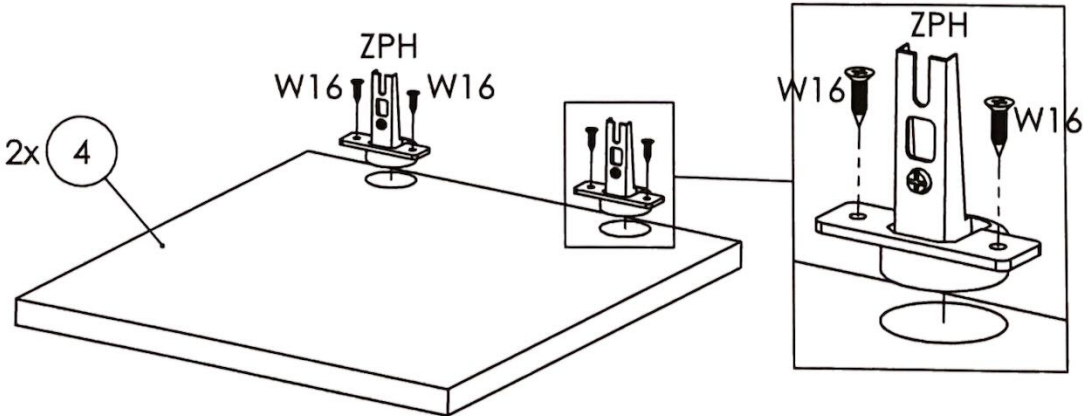
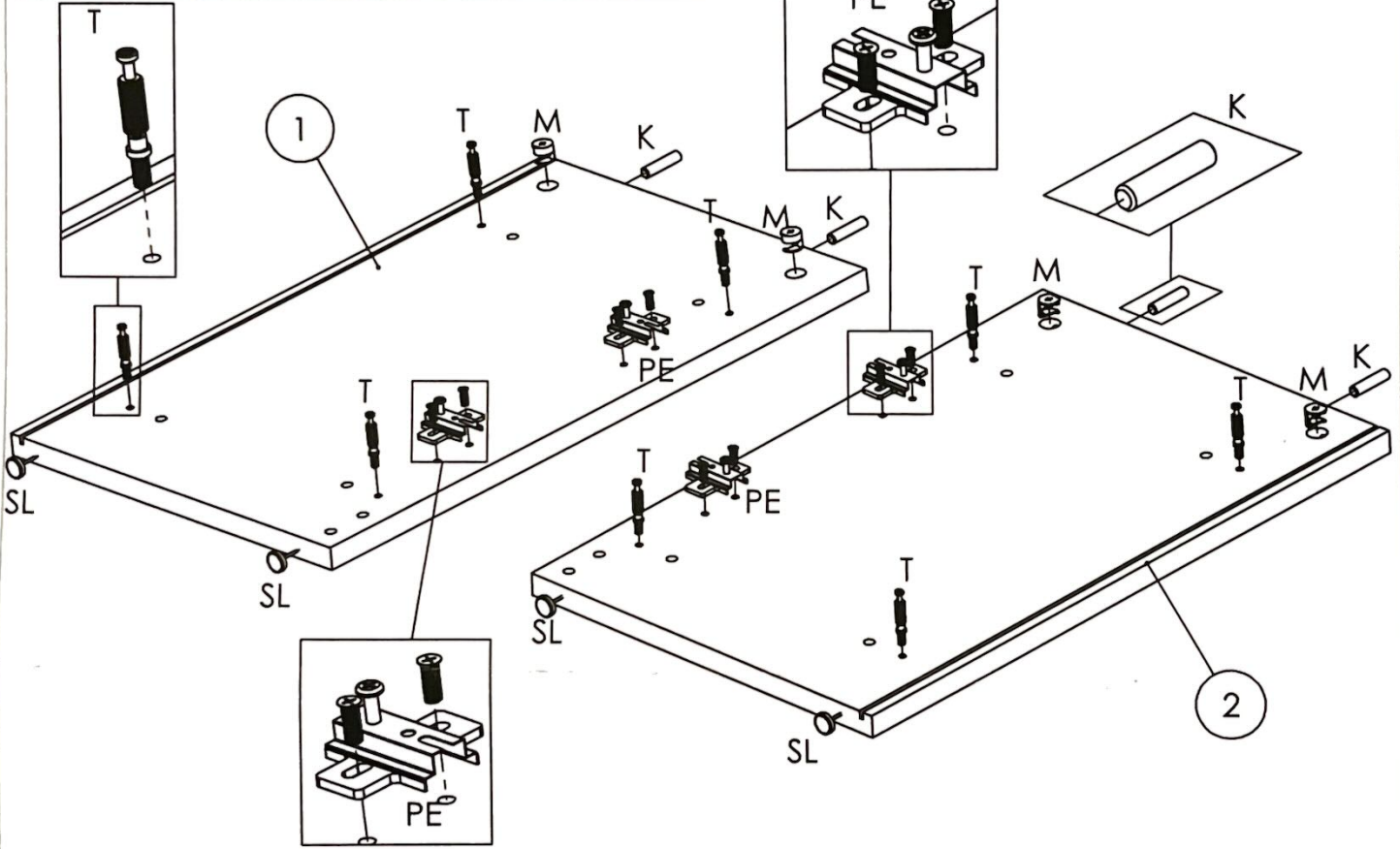
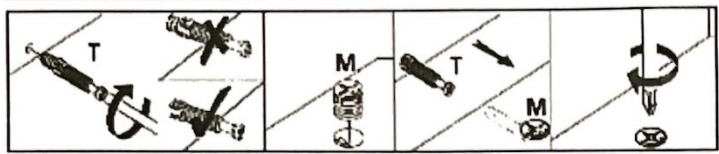
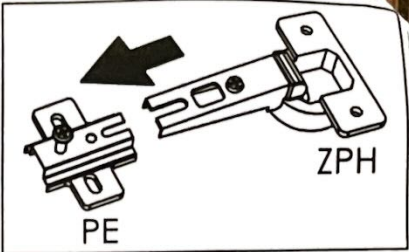
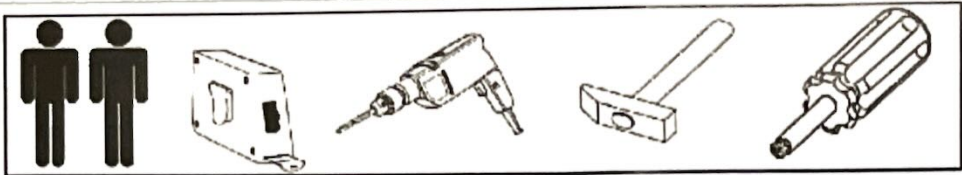
KOM	RENO 5	F36.5
-----	--------	-------

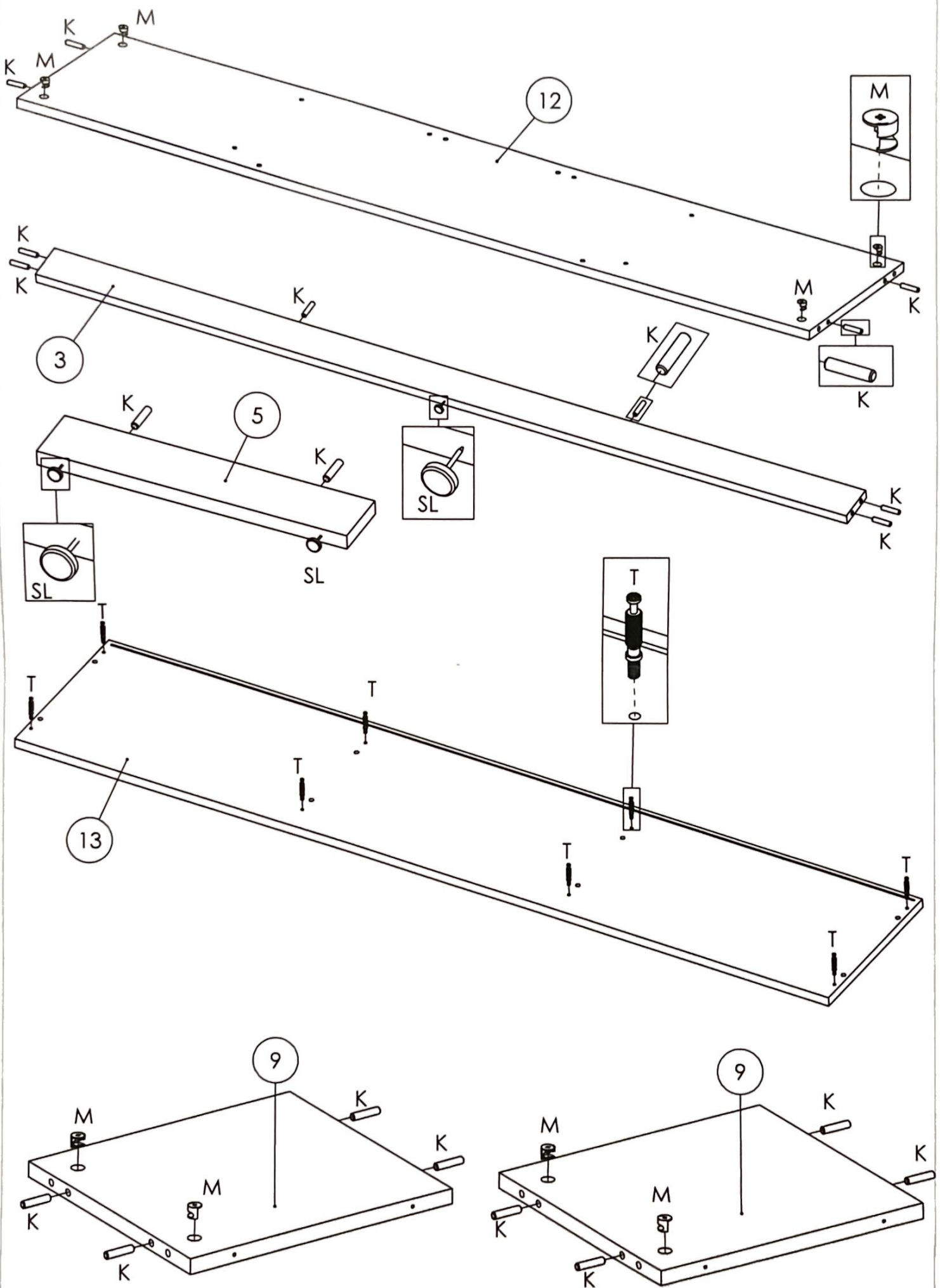
ELEMENTS	QTY
1	1
2	1
3	1
4	2
5	1
6	1
7	1
8	2
9	2
10	1
12	1
13	1

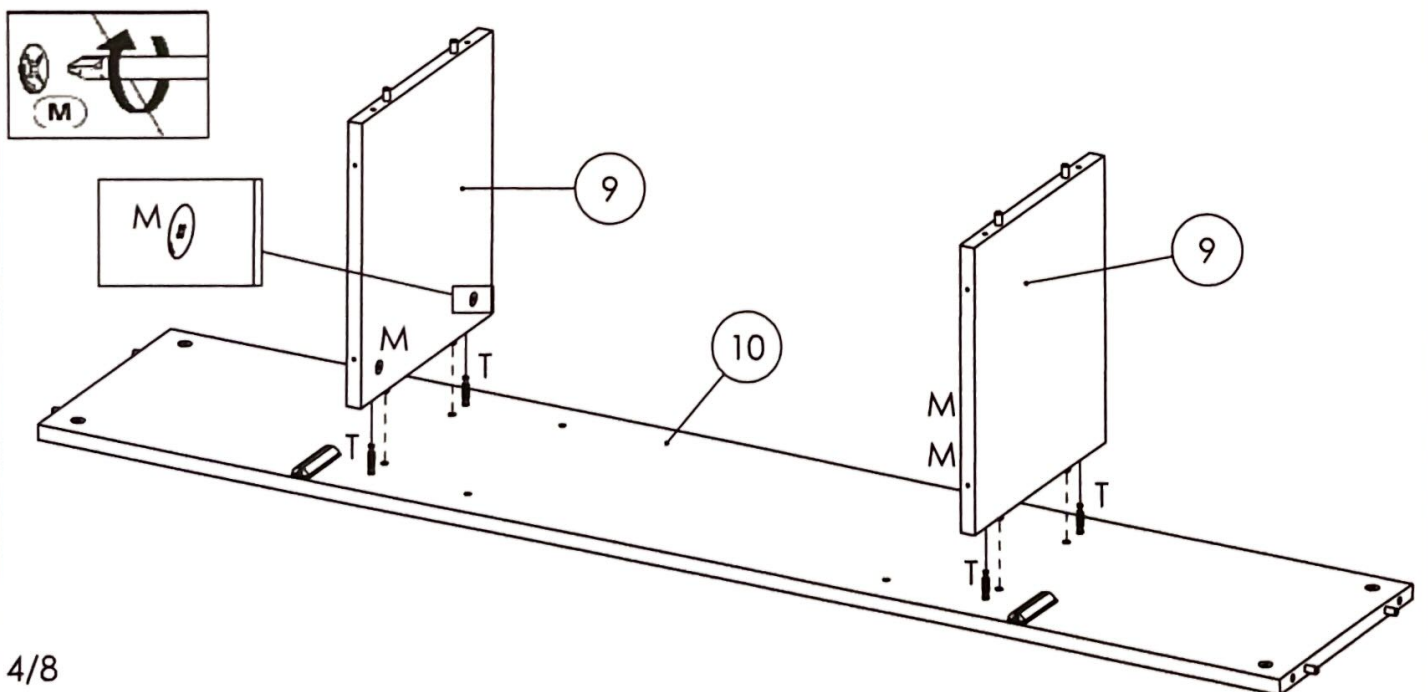
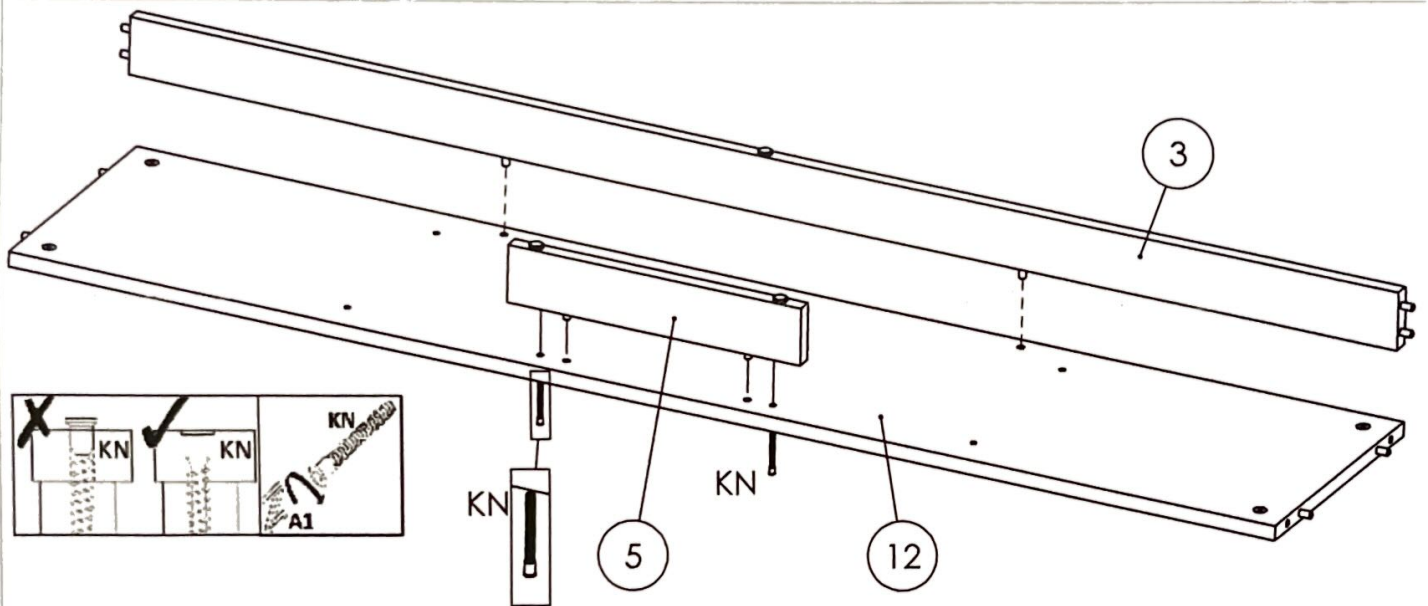
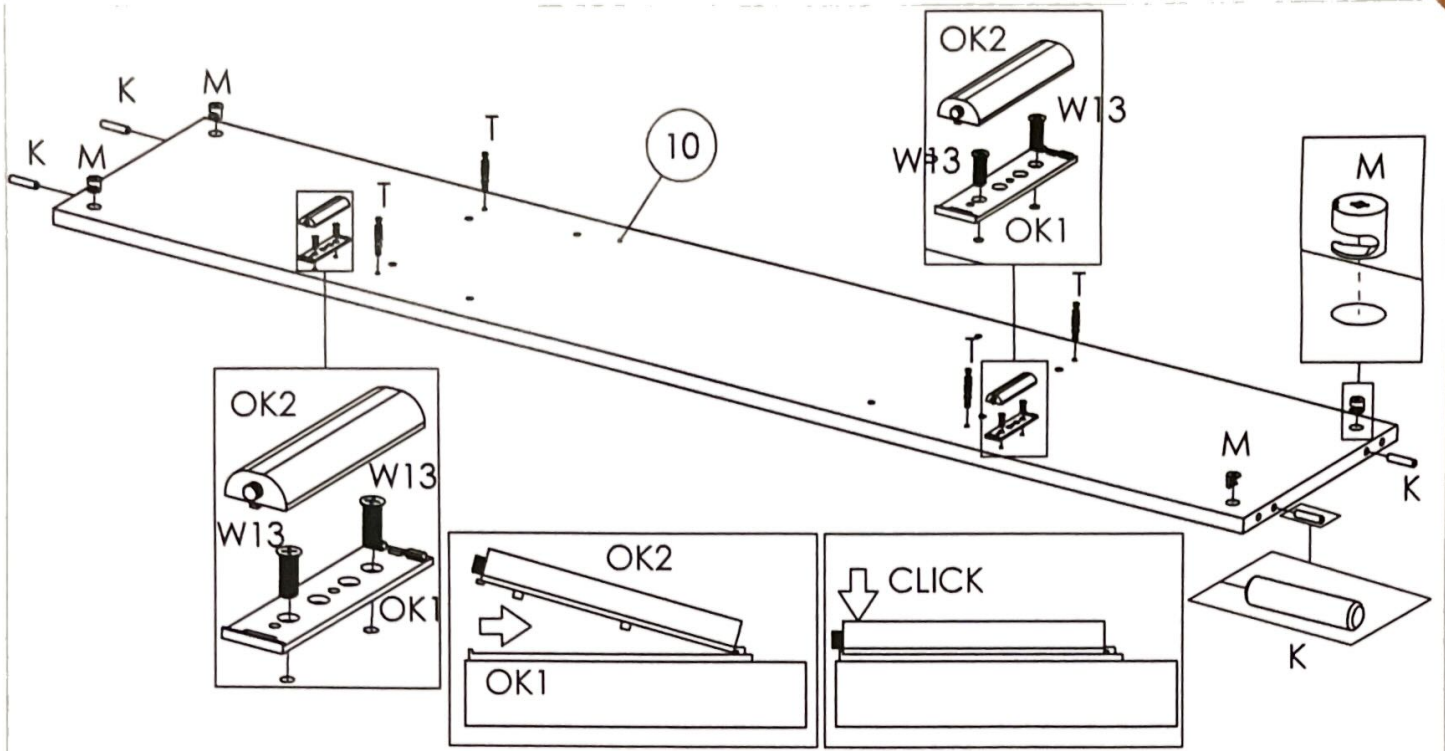


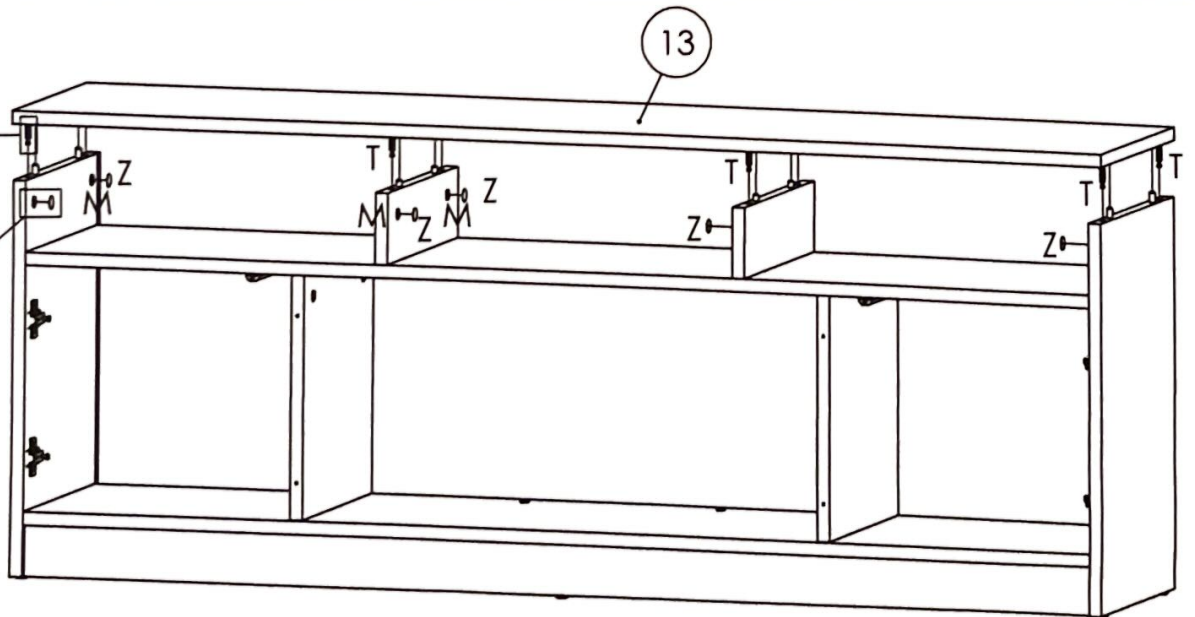
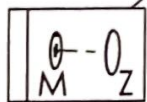
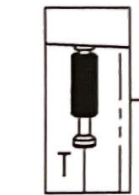
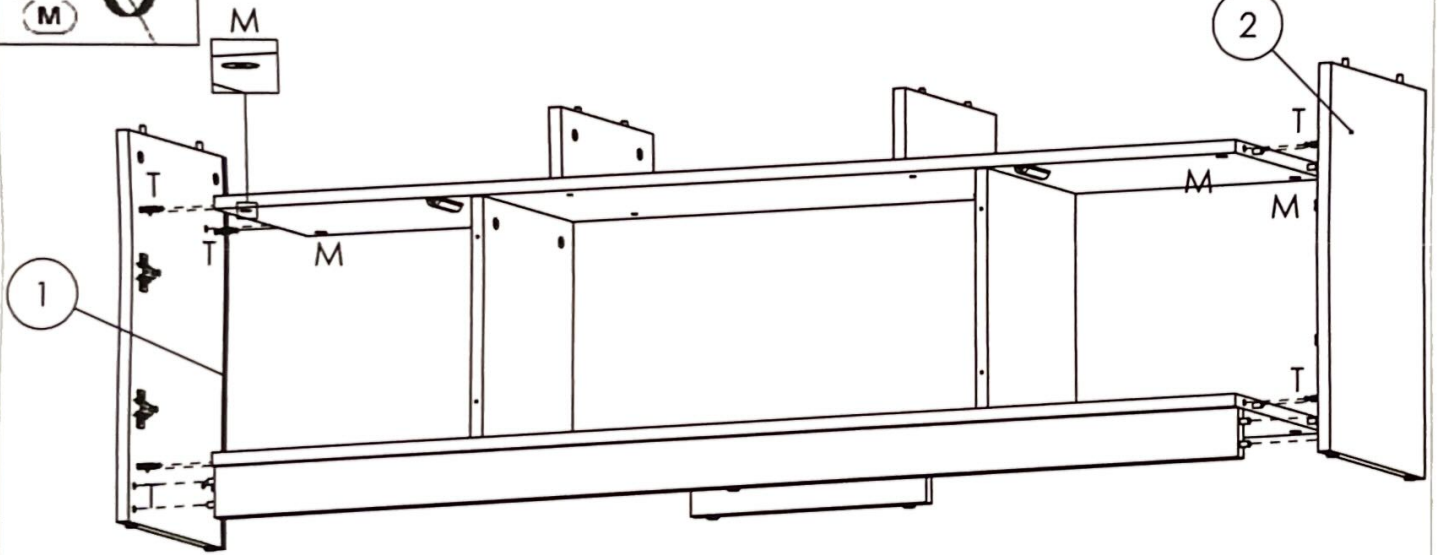
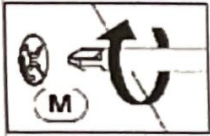
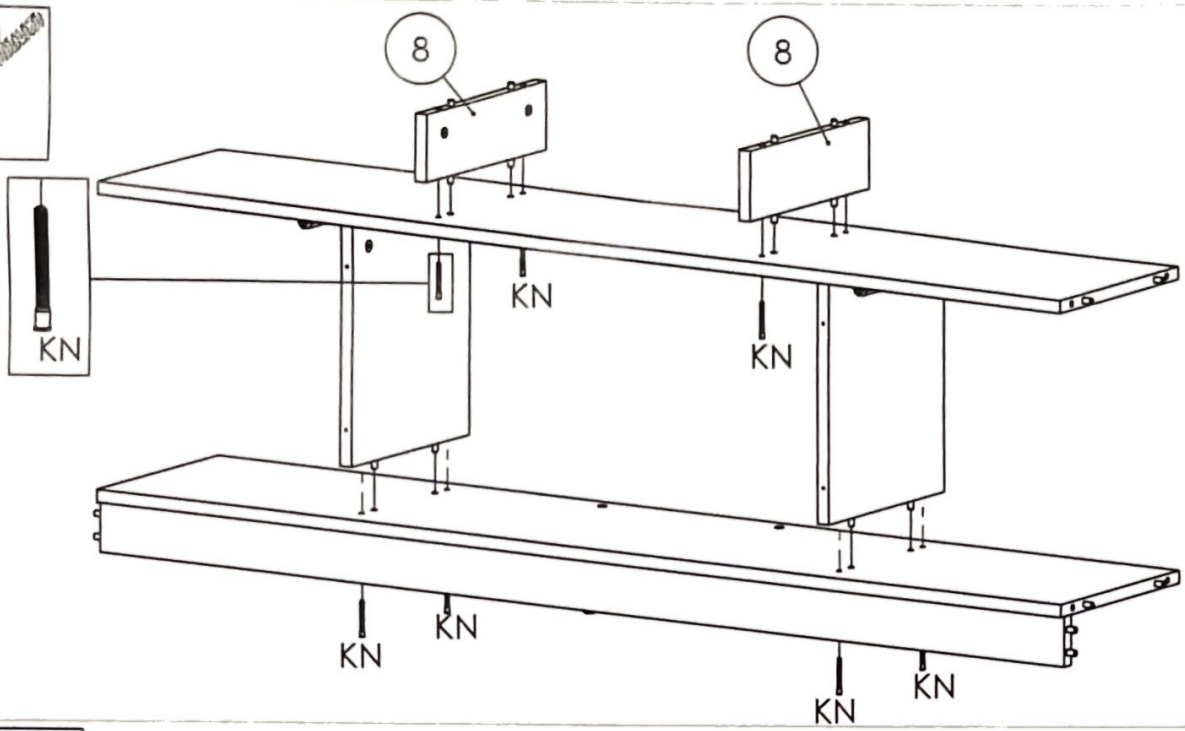
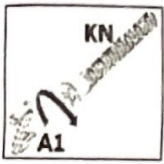
Accessories	Symbol	G	K	KN	M	OK1	OK2	SL	T	W16	W13	Z	PE	ZPH	A1
	QTY	14	36	10	20	2	2	7	20	8	4	12	4	4	4

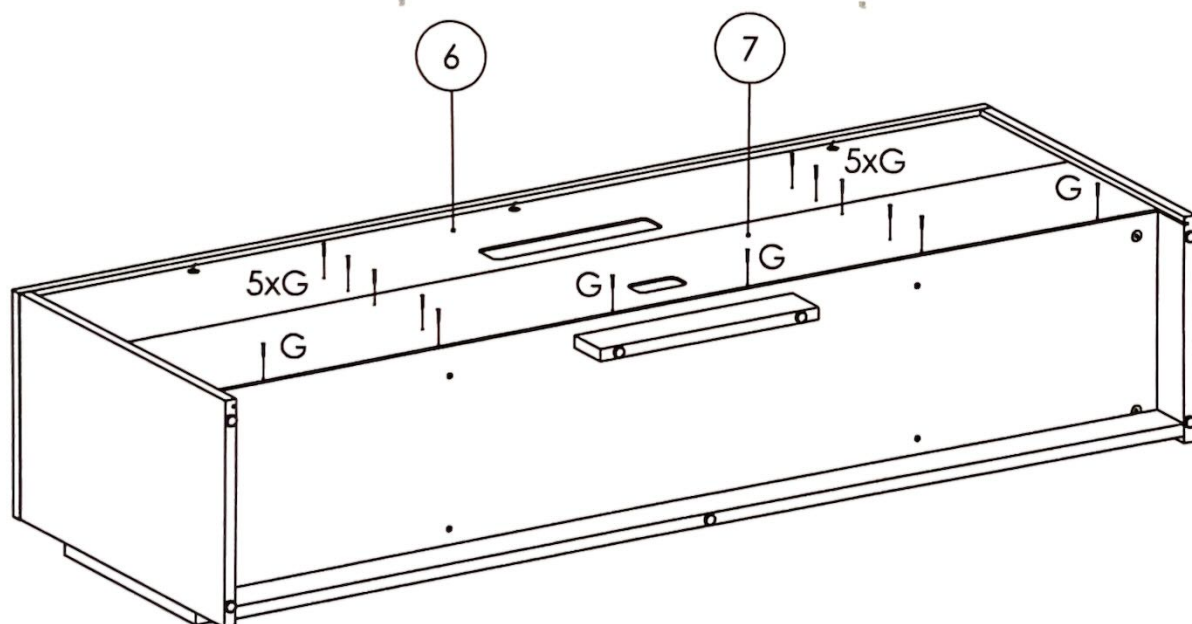
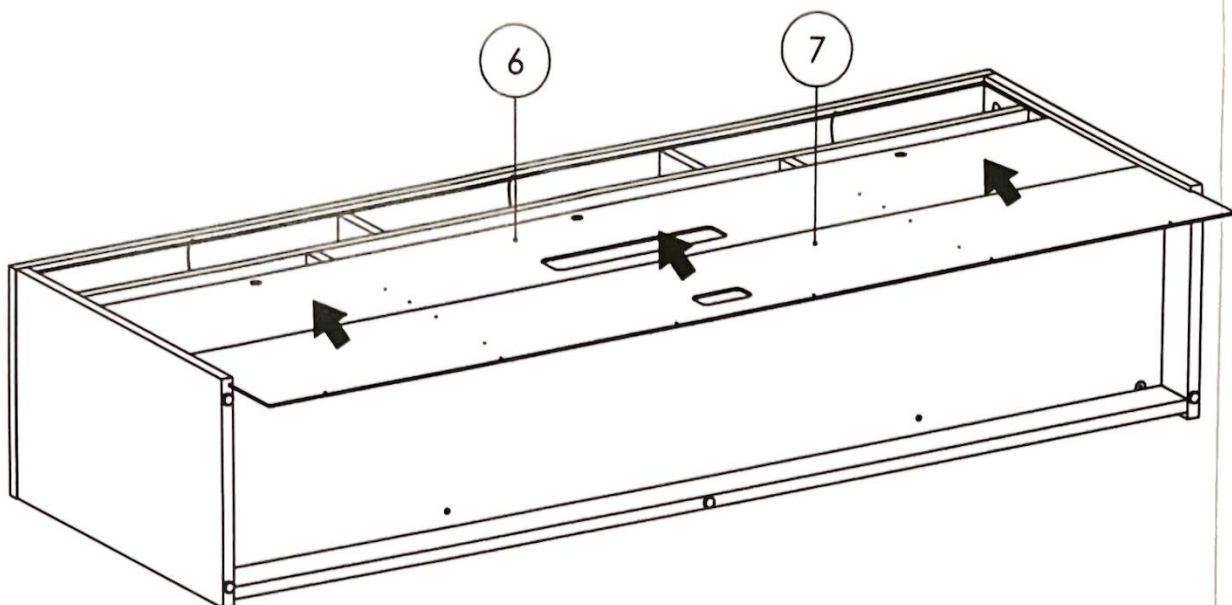
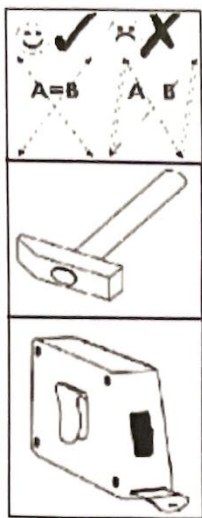


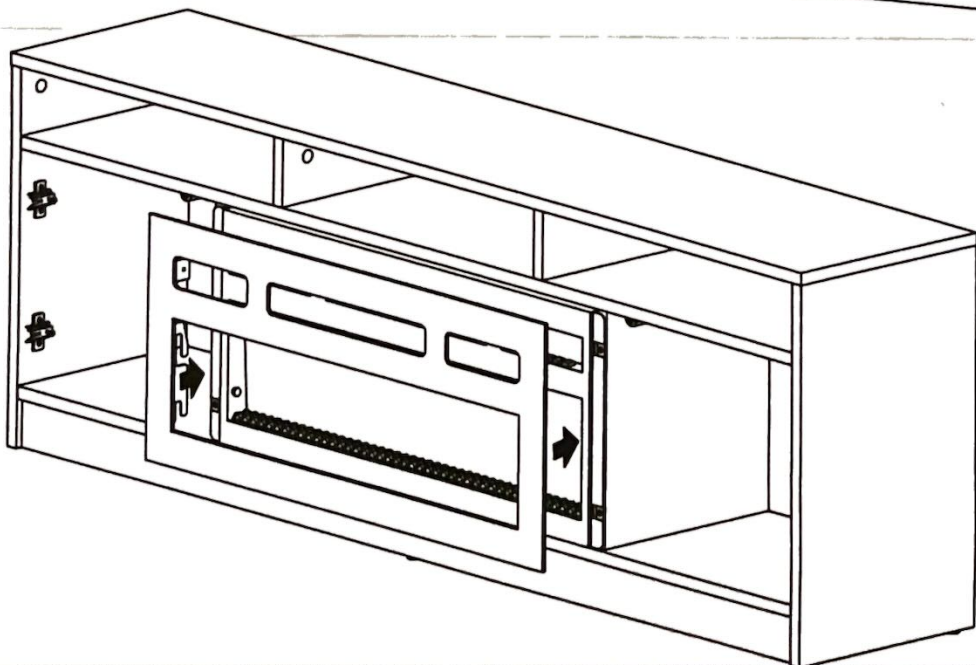
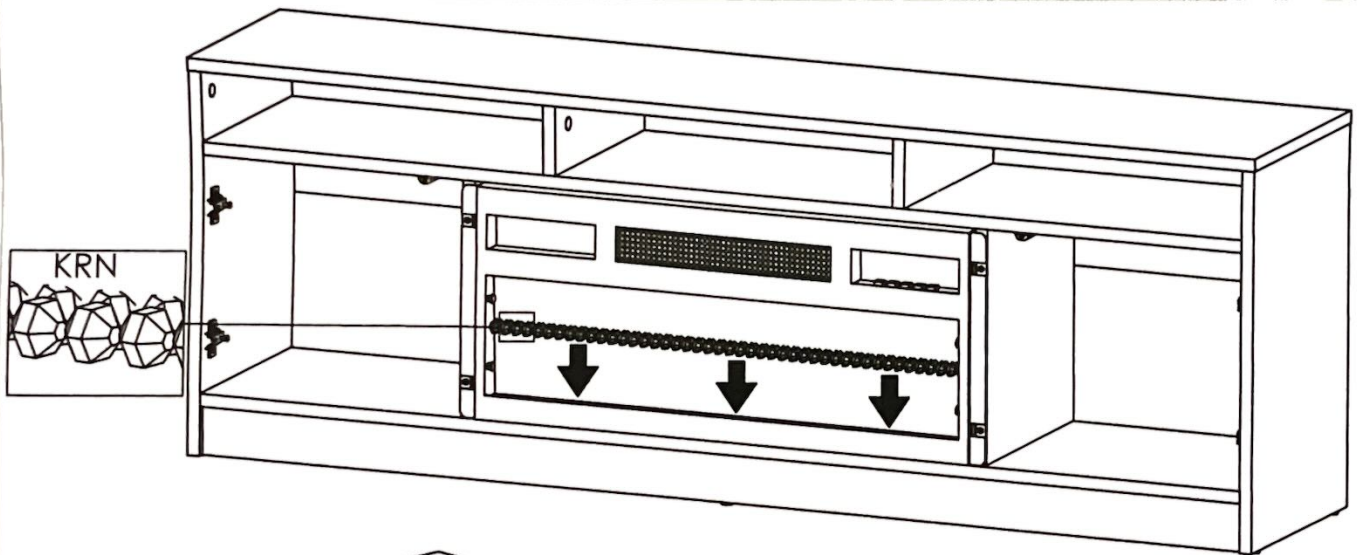
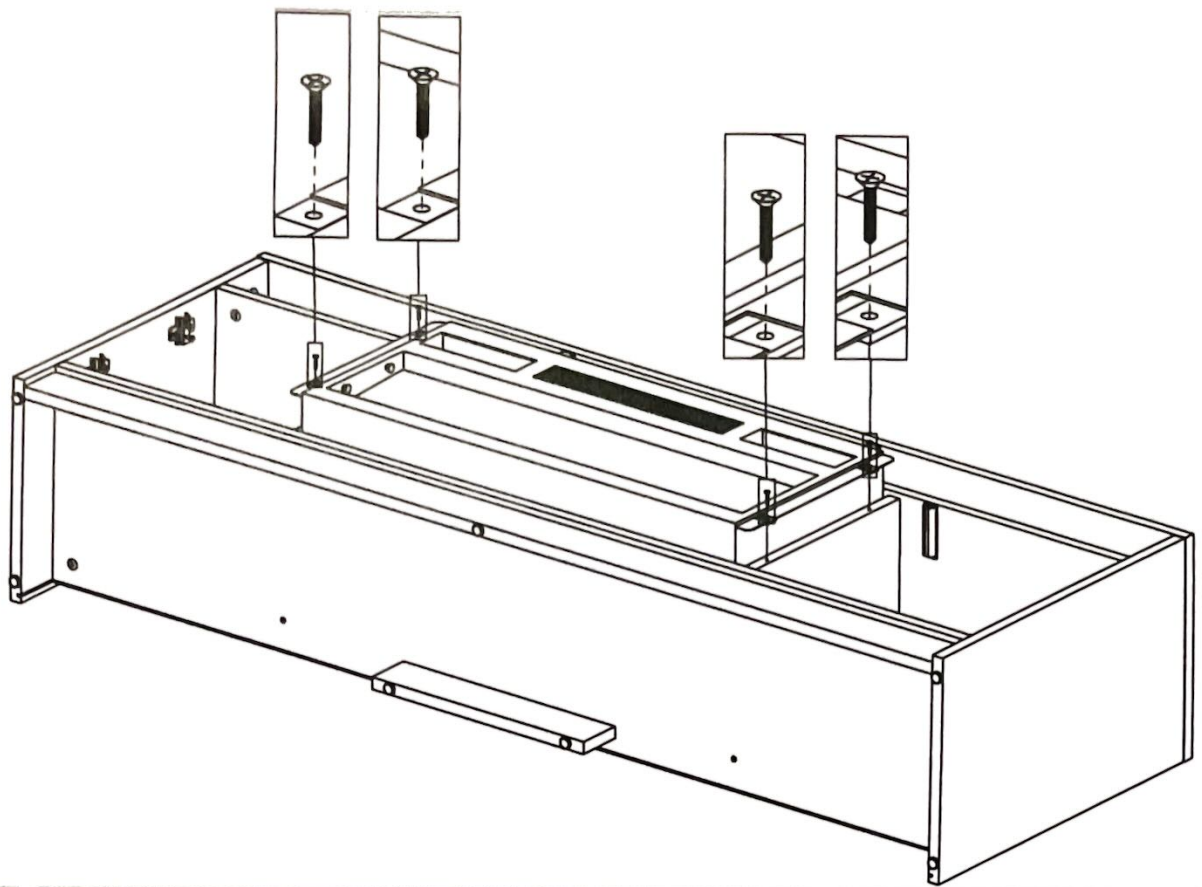


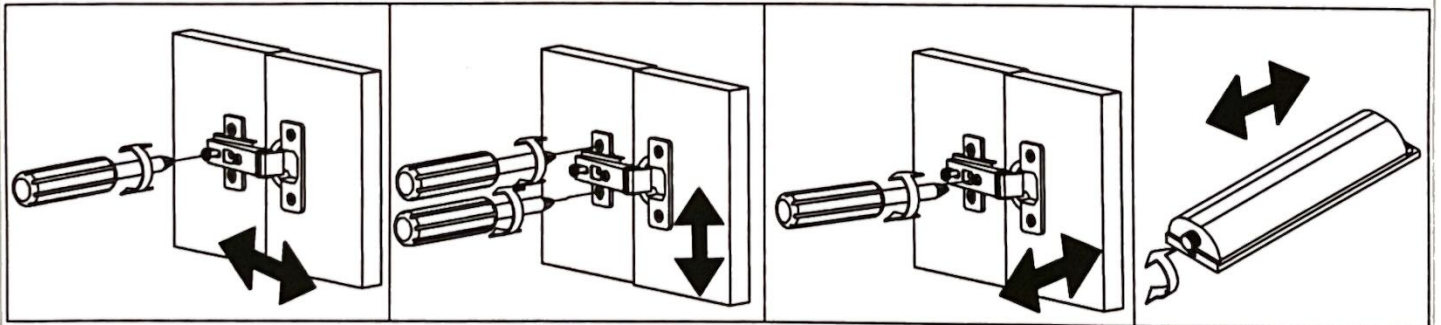
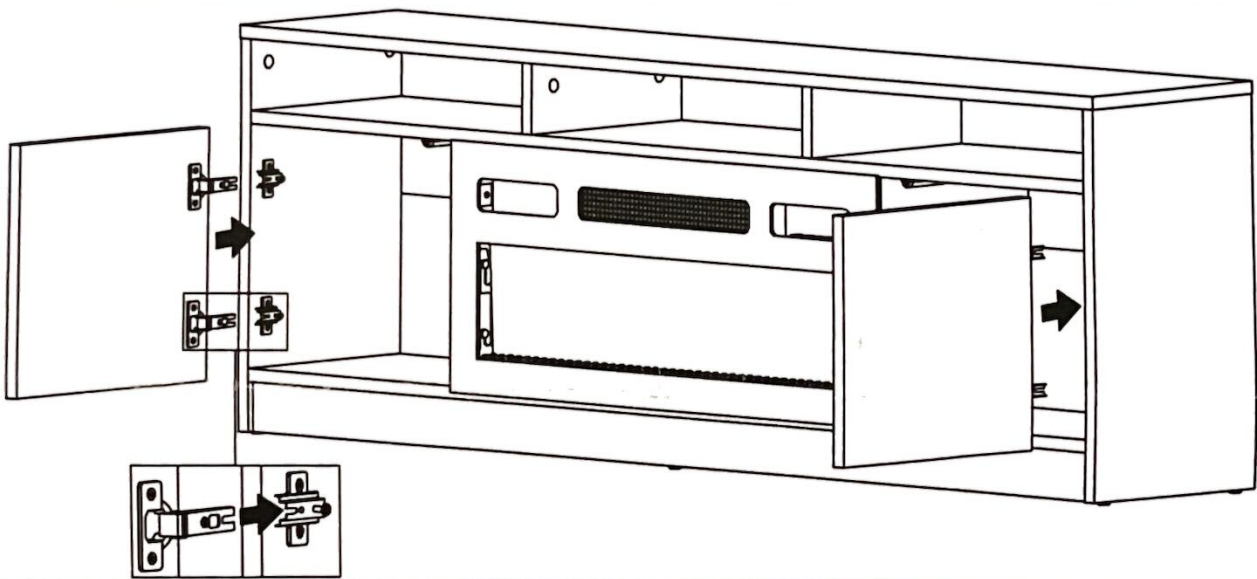
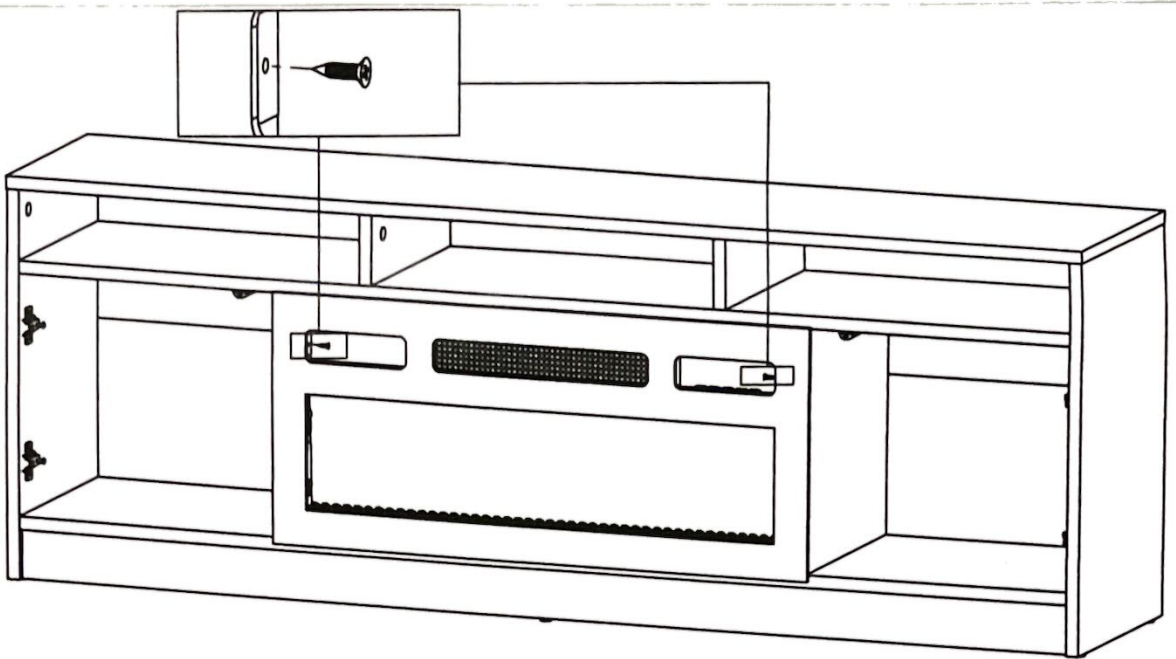












LED UNDER TOP

