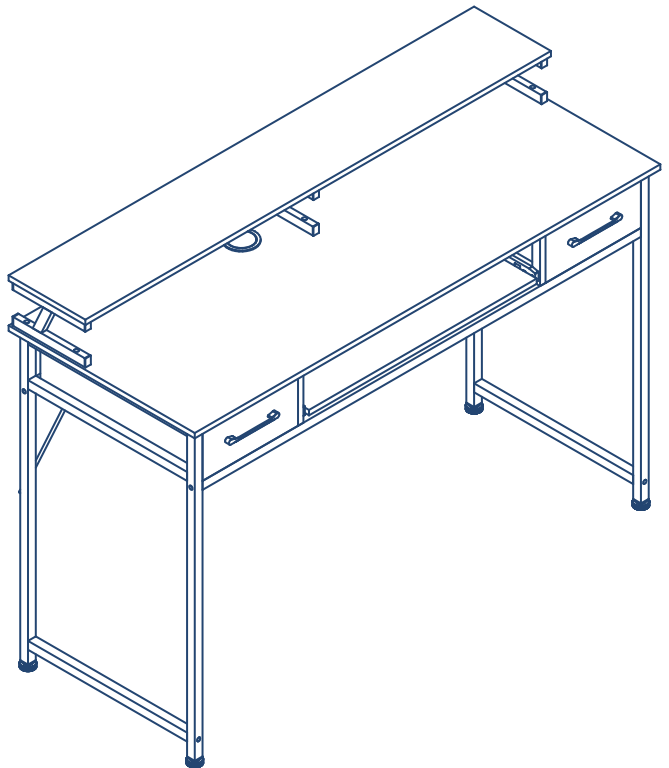


ODK

DESK WITH KEYBOARD TRAY

User Manual



Thank you for choosing our product.

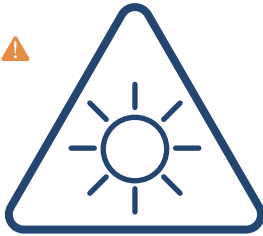
Before assembly, please read this USER MANUAL first, and check according to Parts List to make sure all parts are included.

Feel free to contact us if you have any concerns or questions about your product, we are always ready to help. Your satisfaction is our first priority!

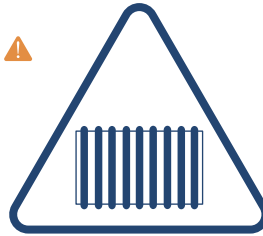
Package Contents

Desk With Keyboard Tray	Assembly tool kit	Instruction manual
-------------------------	-------------------	--------------------

Precautions



1. Avoid long-term direct sunlight exposure.



2. Keep away from heat.



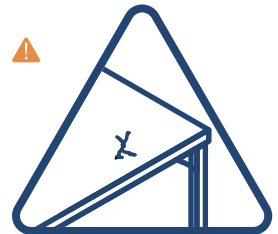
3. Keep away from sharp objects.



4. Keep infants/children away from assembly parts to avoid choking and suffocation.

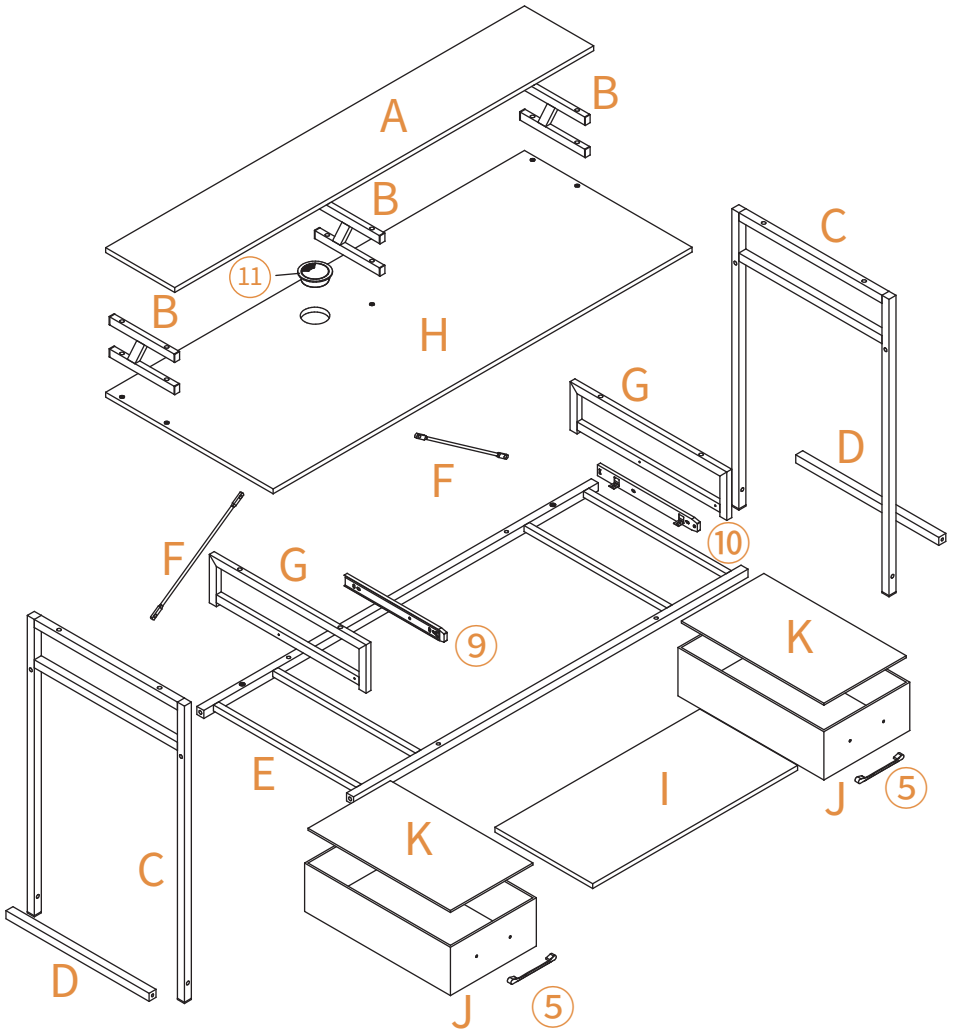


5. Keep away from corrosive substances.



6. Pay attention to avoid over-tightening fasteners, or they may induce cracking within the board.

Disassembly Diagram

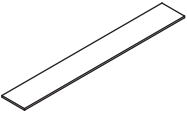


Parts List

For ease and safety, we recommend two people for assembly.

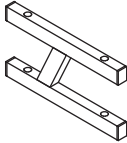


A



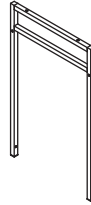
x1

B



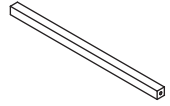
x3

C



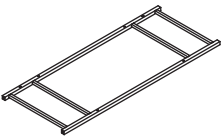
x2

D



x2

E



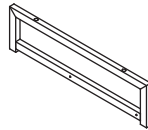
x1

F



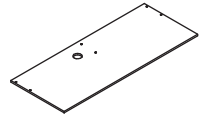
x2

G



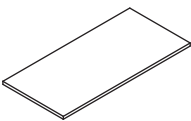
x2

H



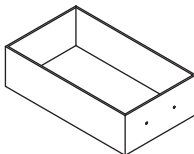
x1

I



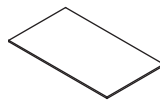
x1

J



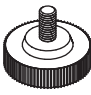
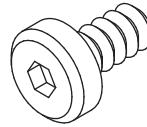
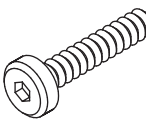

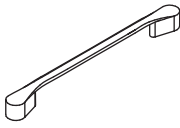

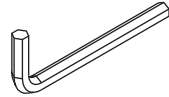
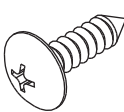
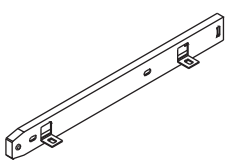
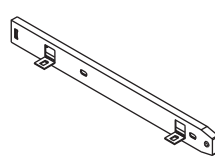

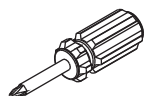
x2

K



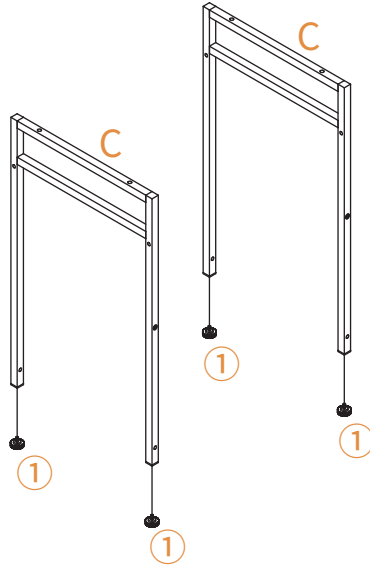
x2

Parts List

<p>①</p>  <p>x5(1spare)</p>	<p>②</p>  <p>M6X12 x5(1spare)</p>	<p>③</p>  <p>M6X28 x35(3spares)</p>	<p>④</p>  <p>x3(1spare)</p>
<p>⑤</p>  <p>x2</p>	<p>⑥</p>  <p>M4X10 x5(1spare)</p>	<p>⑦</p>  <p>x2</p>	<p>⑧</p>  <p>ST4X12 x9(1spare)</p>
<p>⑨</p>  <p>x1</p>	<p>⑩</p>  <p>x1</p>	<p>⑪</p>  <p>x1</p>	<p>⑫</p>  <p>x1</p>

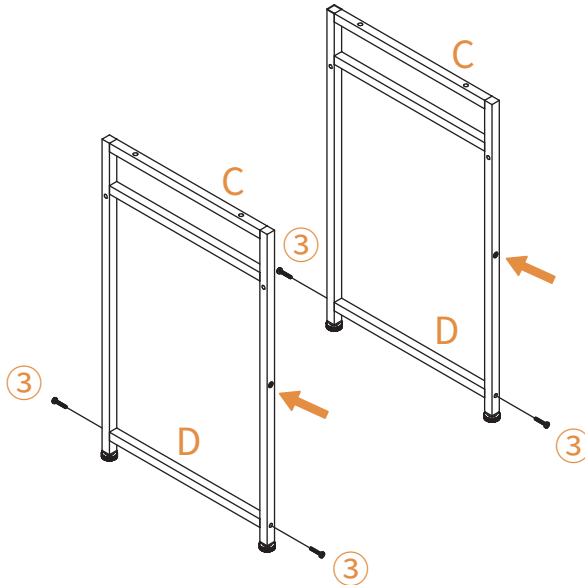
Assembly Instructions

1



C x2	
1 x4	



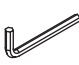
2

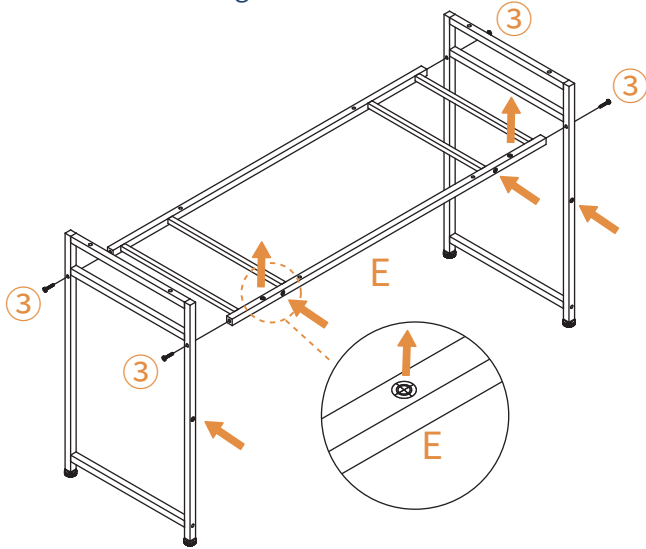


D x2	
3 x4	
7 x1	




Assembly Instructions

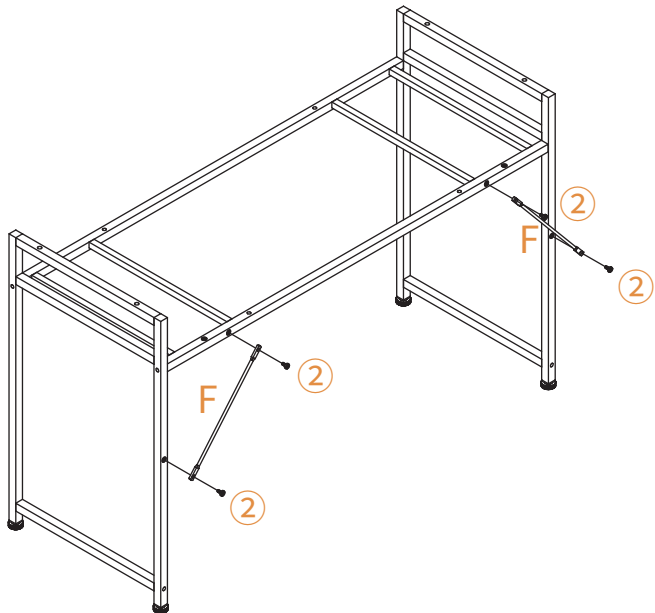
3 Please carefully browse the different positions indicated by the arrows in the figure to avoid the wrong installation of steel frame E.

E x1	
③ x4	
⑦ x1	



4

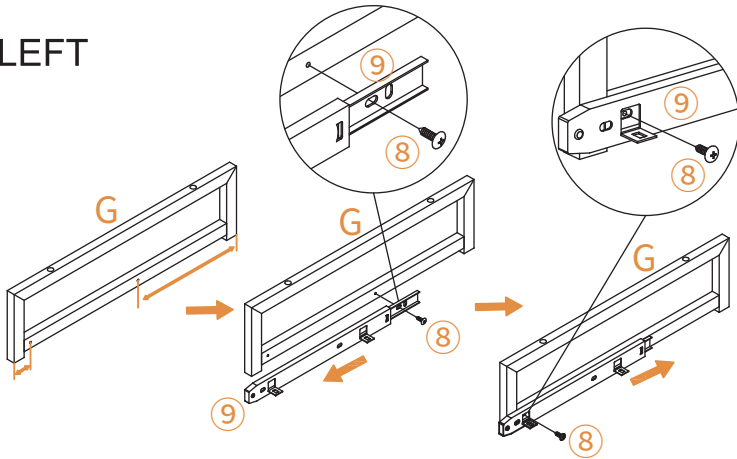
F x2	
② x4	
⑦ x1	



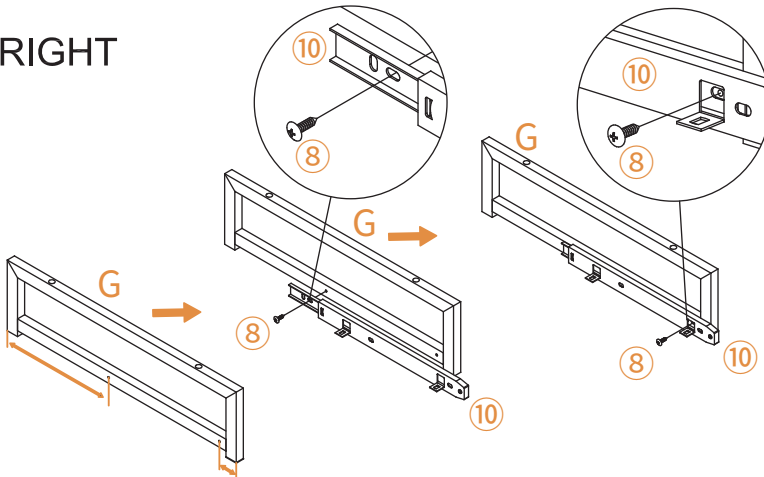
Assembly Instructions

5 Install slide ⑨ on part G which is marked left; Install slide ⑩ on part G which is marked right, please follow the steps in the instructions about these two components. If you have any trouble while assembling, please watch the assemble video on the selling website.

LEFT

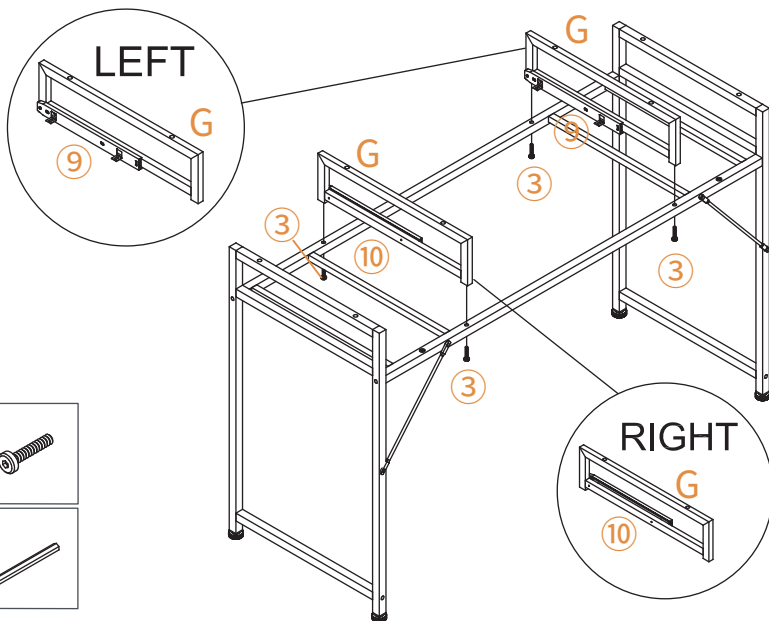


RIGHT

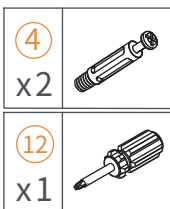
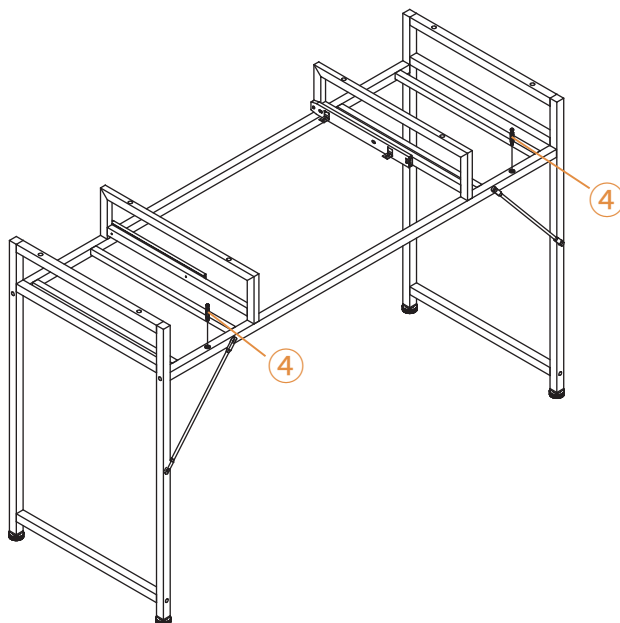


Assembly Instructions

6

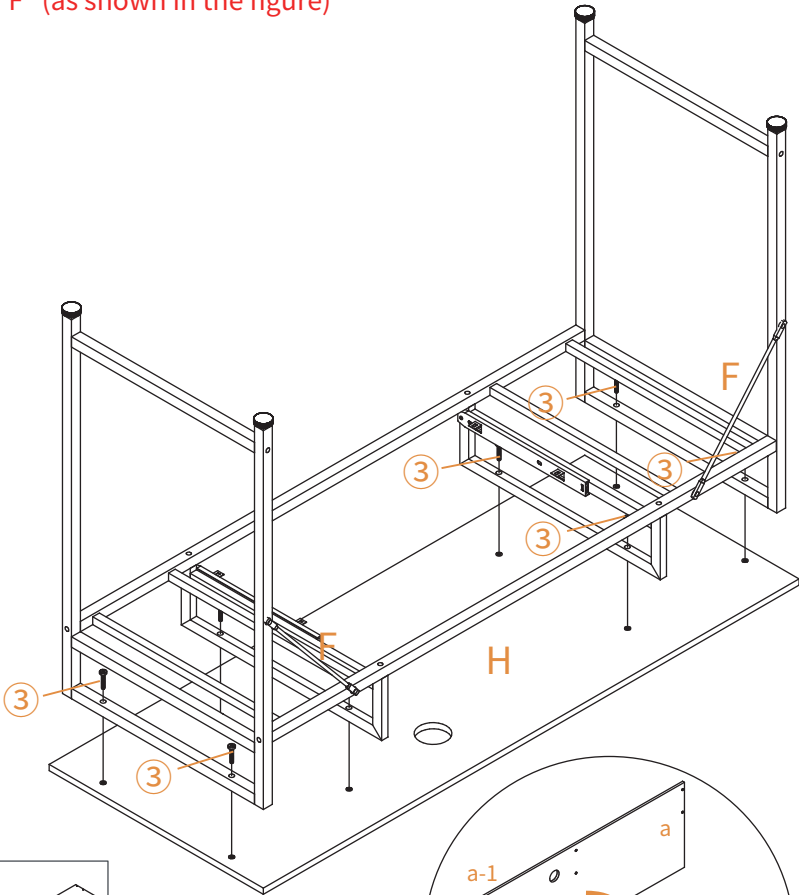


7

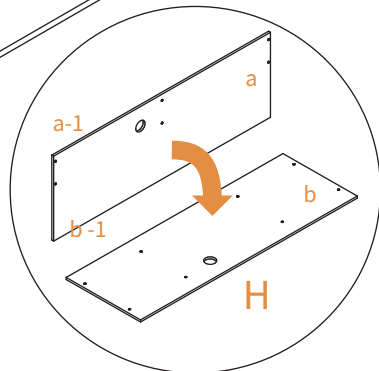


Assembly Instructions

- 8 Please use eight ③ screws to install the desktop H.
Please pay attention to the direction of the hole on side "a". After desktop H is turned over, the "a-1" part should be on the same side as "F" (as shown in the figure)

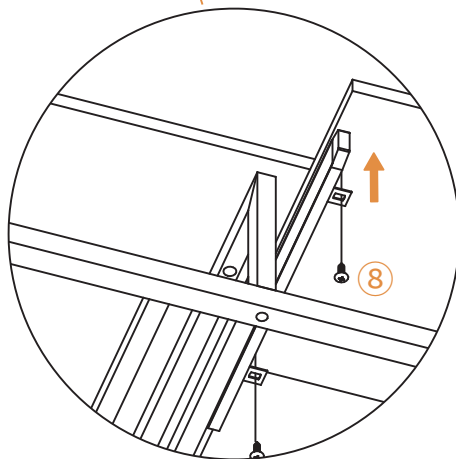
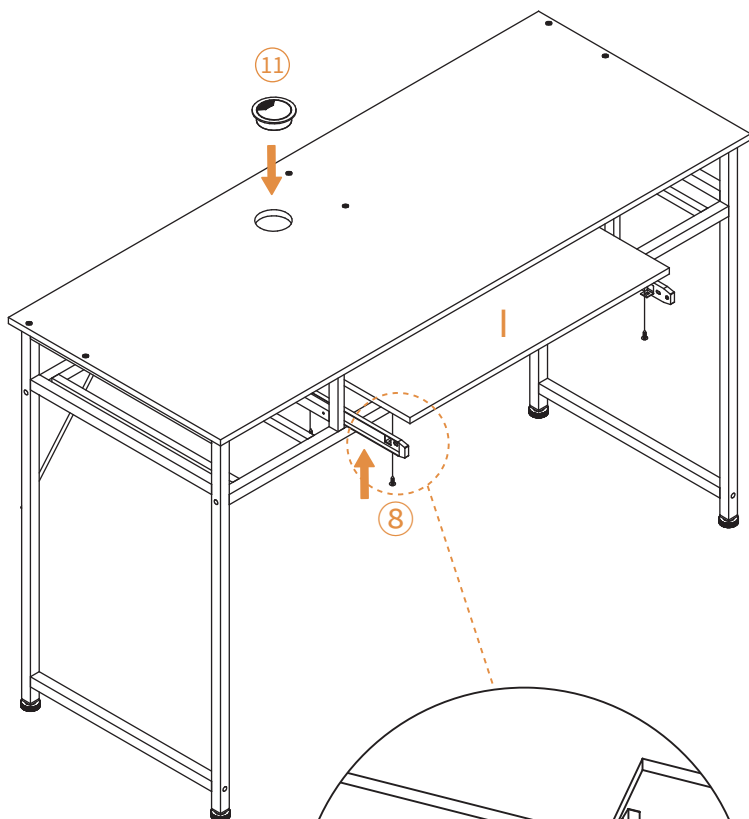



H x1	
③ x8	
⑦ x1	



Assembly Instructions

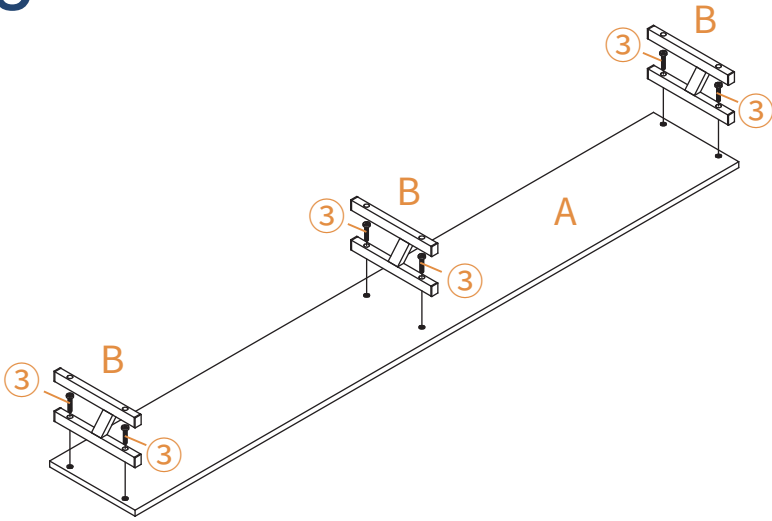
9



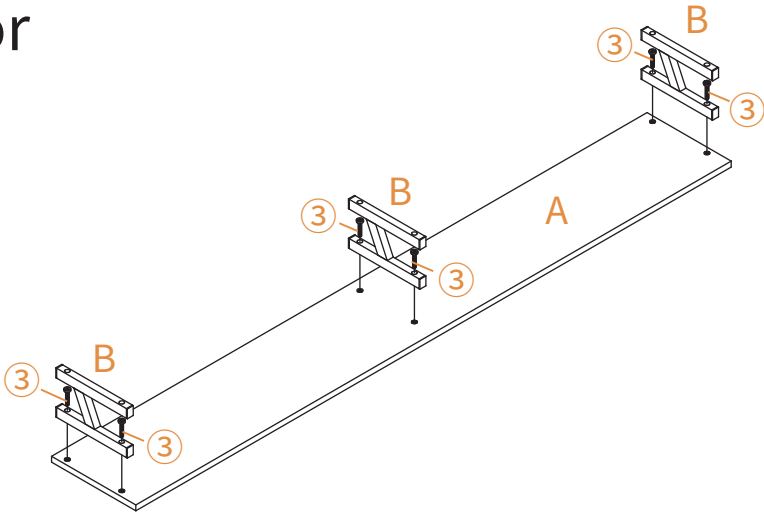
I	
x1	
8	
x4	
11	
x1	
12	
x1	

Assembly Instructions

10 Please use three parts B and install them on part A at one time.



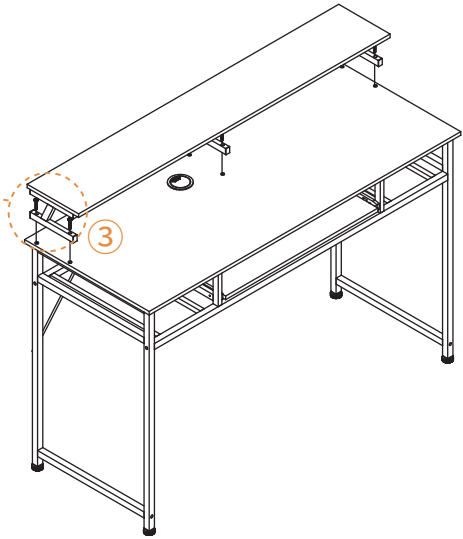
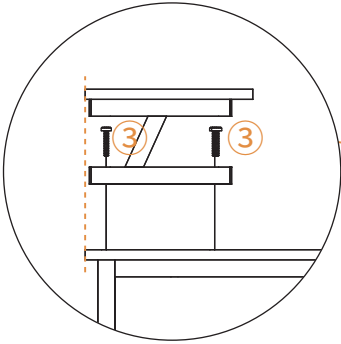
or



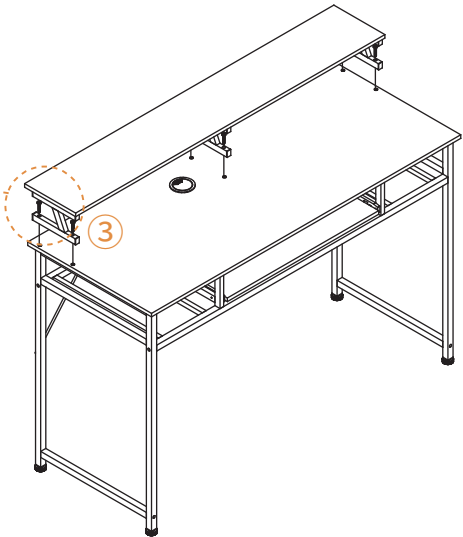
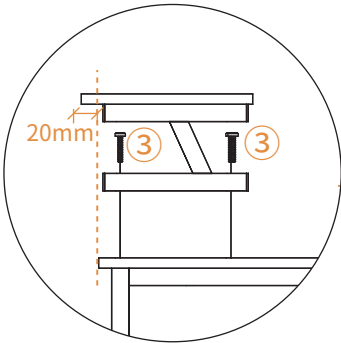
A		B		③		⑦	
x1		x3		x6		x1	

Assembly Instructions

11 Install the assembled display table on the desktop with six ③ screws.



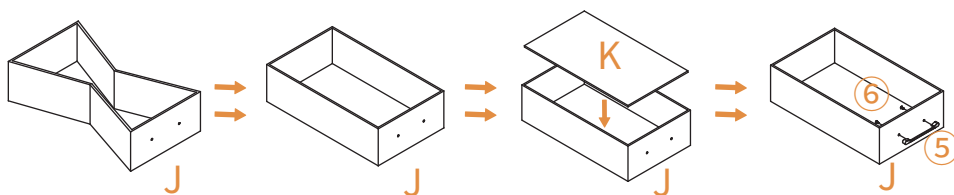
or



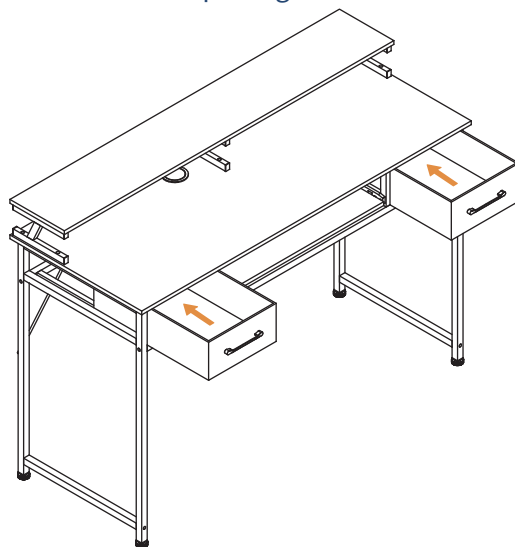
Assembly Instructions

12 Starting from this part, the installation instructions of the drawer.

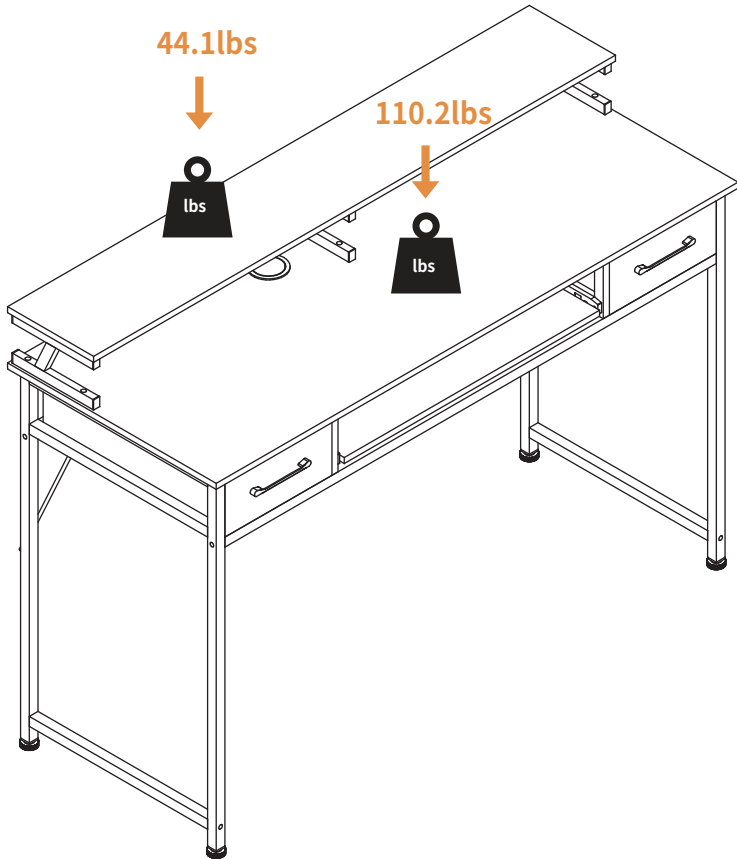
x2



13 Congratulations on completing all the installation.



14



Customer Service



30-Day Return Policy

If you're not completely satisfied with your purchase, simply return the merchandise via our official customer support. Unused merchandise can be refunded or exchanged within 30 days from the original purchase date.



1-Year Warranty

We guarantee your product is free from defects in product material and workmanship for one (1) year starting from the date of purchase during normal use of household conditions. If your appliance fails to operate properly within our warranty period, we will arrange a new one. Replacement is free and all shipping costs are covered.



Quick Response within 24 Hours

If you are still unable to resolve the issue you are experiencing, please contact us immediately via our support email. It doesn't matter if the product has been installed or not, our customer support team will respond within 24 hours and assist you quickly and efficiently. The most efficient way to confirm your problem to us is to attach a video, which illustrates your product issues.

Problems You May Encounter

PART	PROBLEM	SOLUTION
Whole Product	Parts are missing, defective or having wrong parts in package.	You can contact us and we will get back to you within 24 hours. Or, you can reach us via after-sales email.
	Having issue(s) while reading the instruction or completing the assembly.	You can contact us and we will get back to you within 24 hours. Or, you can reach us via after-sales email.
	Encountering non-human caused damage during usage.	If the product is damaged due to non-human causes, please keep the product and send us photos of it. We will ascertain the cause of the product damage within 48 hours and provide you with a satisfactory solution.
Table Surface	Board surface is broken, scratched or lack of somescrew holes.	You can contact us and we will get back to you within 24 hours. Or, you can reach us via after-sales email.
	The screw holes that on the board and the steel frame don't line up.	1. Please tighten the screws on the board by 70%, do not tighten completely. 2. Adjusting board and steel frame until the screw holes are lined up, then tighten all the screws.
	The desk board is uneven or not tight that has gaps after being assembled.	1. Loosen the screws in the uneven or gap positions; adjust until the desktops are flat and tight, and then tighten the screws. 2. If your problem still can't be solved, please feel free to contact us.
Steel Frame	The steel frame is bent, broken, painted, rusted or damaged.	You can contact us and we will get back to you within 24 hours. Or, you can reach us via after-sales email.
	The table is unstable after being assembled.	1. Check if the screws are tightened. 2. Read throughout the manual, check are there any parts installed incorrectly or missing assembled. 3. If your problem still can't be solved, please feel free to contact us.
	Encountering non-human caused damage during usage.	If the product is damaged due to non-human causes, please keep the product and send us photos of it. We will ascertain the cause of the product damage within 48 hours and provide you with a satisfactory solution.



We are committed to providing our customers with premium quality products and convenient customer service.

MADE IN CHINA

