



# ASSEMBLY INSTRUCTIONS

## **SAFETY INFORMATION**

---

### **⚠️ Warranty Coverage Requirements:**

1. Pictures of the damaged parts.
2. You must know the name or MOLDE number of your product.
3. Please gather all of this information **BEFORE** you contact us.

### **⚠️ WARNING**

1. Please read and understand this entire manual before attempting to **assemble or install the product.**
2. **Assemble the item on a soft, non-abrasive surface such as carpeting to avoid damage.**
3. Item is heavy. Handle with care. May require two adults for safe assembly.  
**Estimated Assembly Time: 120 minutes**

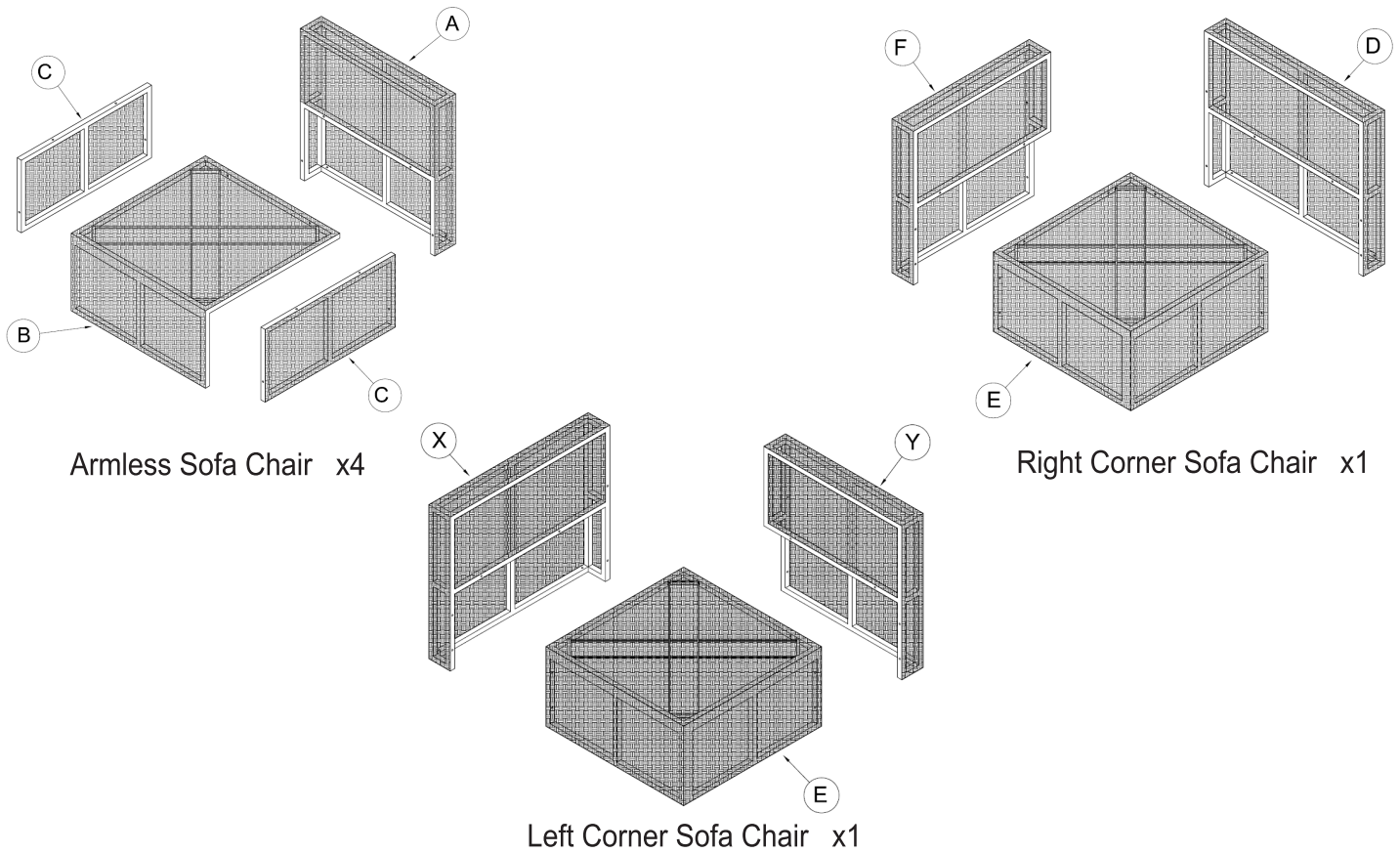
### **⚠️ CAUTION**

**Recommended maximum sitting weight for the sofa set is 350 lbs/ 160 kgs**

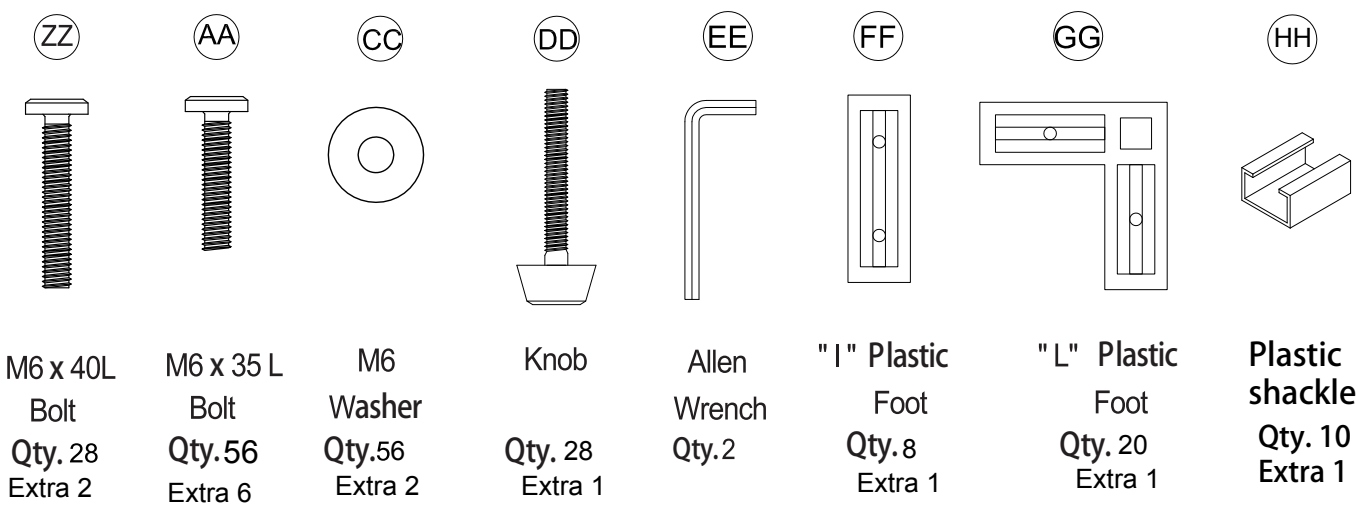
### **⚠️ PREPARATION**

**Before beginning assembly of product, make sure all parts are present.  
Compare parts with parts list. If any part is missing or damaged, do not attempt to assemble the product and contact us immediately**

# PACKAGE CONTENTS



PART	DESCRIPTION	QUANTITY
A	Back frame	4
B	Seat frame	4
C	Side frame	8
D	Back frame-Right Corner Chair	1
E	Seat frame	2
F	Side frame-Right Corner Chair	1
G	Table	1
H	Glass	1
X	Back frame-Left Corner Chair	1
Y	Side frame-Left Corner Chair	1



ZZ  
M6 x 40L  
Bolt  
Qty. 28  
Extra 2

AA  
M6 x 35 L  
Bolt  
Qty. 56  
Extra 6

CC  
M6  
Washer  
Qty. 56  
Extra 2

DD  
Knob  
Qty. 28  
Extra 1

EE  
Allen  
Wrench  
Qty. 2

FF  
"1" Plastic  
Foot  
Qty. 8  
Extra 1

GG  
"L" Plastic  
Foot  
Qty. 20  
Extra 1



HH  
Plastic  
shackle  
Qty. 10  
Extra 1

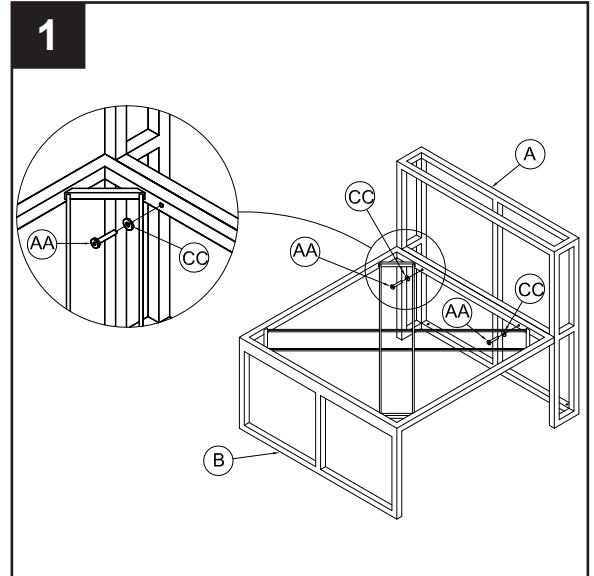
# ASSEMBLY INSTRUCTIONS

## FRAME ASSEMBLY

- Align two holes of the back frame (A). Insert an M6 x 35 L bolt (AA) through M6 washer (CC), with the seat frame (B). Do not tighten completely. Repeat this procedure for the adjacent hole.

### Hardware Used

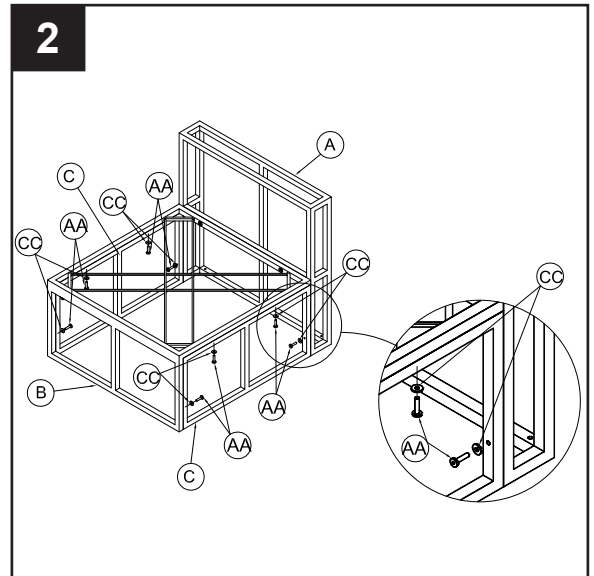
AA	M6 x 35 L Bolt		x 2
CC	M6 Washer		x 2



- Align all four holes of the side frame (C). For each hole, insert M6 x 35 L bolt (AA) through M6 washer (CC), the seat frame (B) and back frame (A). Repeat this step for the opposite side. Do not tighten completely. Repeat this procedure for the adjacent hole.



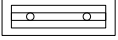
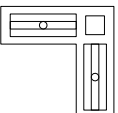
### Hardware Used

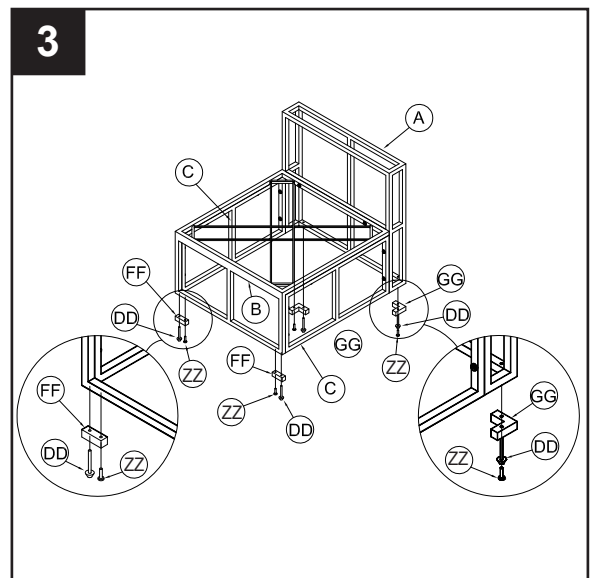
AA	M6 x 35 L Bolt		x 8
CC	M6 Washer		x 8



- Attach two the "I" plastic foot (FF) to the lower corner of the seat frame (B), and two the "L" plastic foot (GG) into the lower corner of the back frame (A) by using M6x 40L bolt (ZZ) and Knob (DD). Then tighten all bolts by using allen wrench.

### Hardware Used

ZZ	M6 x 40 L Bolt		x 4
DD	Knob		x 4
FF	"I" Plastic Foot		x 2
GG	"L" Plastic Foot		x 2




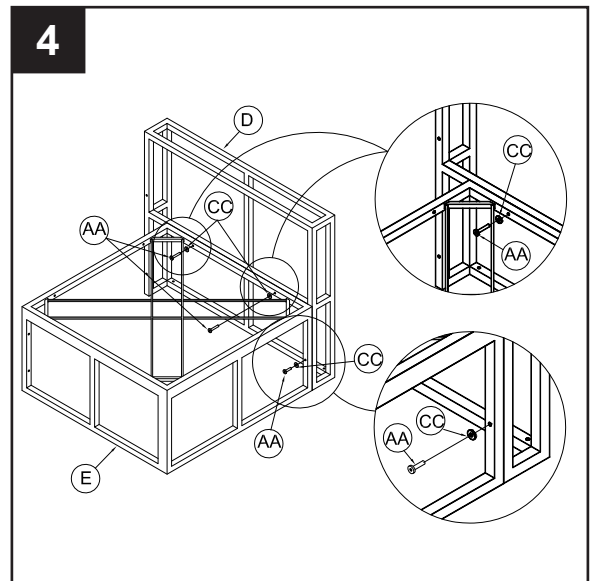
# ASSEMBLY INSTRUCTIONS

## FRAME ASSEMBLY

4. Align two upper holes of the back frame (D). Insert an M6 x 35 L bolt (AA) through M6 washer (CC) with the seat frame (E). Then align one of the side holes of the back frame (D) insert an M6 x 35 L (AA) through M6 washer (CC). Do not tighten completely. Repeat this procedure for the adjacent hole.



### Hardware Used

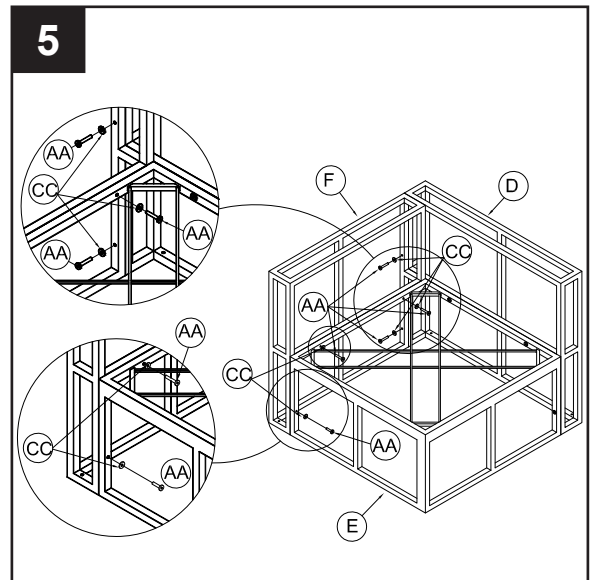
AA	M6 x 35 L Bolt		x 3
CC	M6 Washer		x 3



5. Align two holes of back frame (D) the opposite side with the side frame (F) insert an the M6 x 35 L bolt (AA) through the M6 washer (CC). Then align two holes before of the side frame (F) with the seat frame (E) insert the M6 x 35 L bolt (AA) and the M6 x 35 L bolt (AA) through the M6 washer (CC). Do not tighten completely. Repeat this procedure for the adjacent hole.



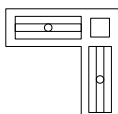
### Hardware Used

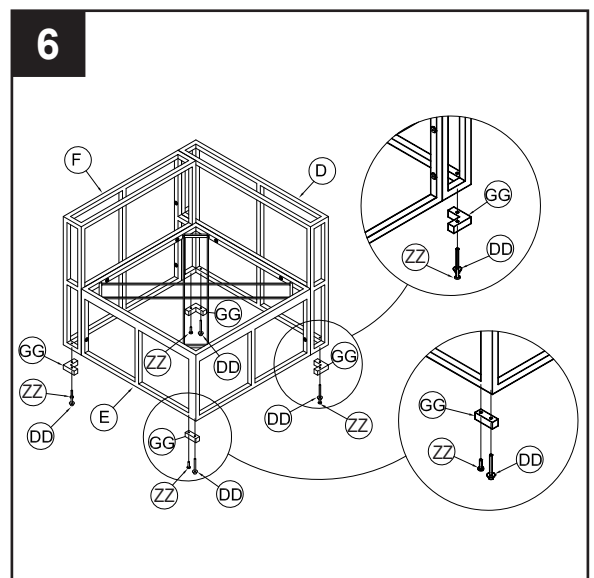
AA	M6 x 35 L Bolt		x 5
CC	M6 Washer		x 5



6. Attach one the " L " plastic foot (GG)to the lower corner of the seat frame ( E ) , and three the " L " flastic foot (GG) into the lower corner of the back frame (D) and side frame (F) by using M6 x 40L bolt (ZZ) and Knob (DD). Then tighten all bolts by using allen wrench.

### Hardware Used

ZZ	M6 x 40 L Bolt		x 4
DD	Knob		x 4
GG	" L " plastic Foot		x 4







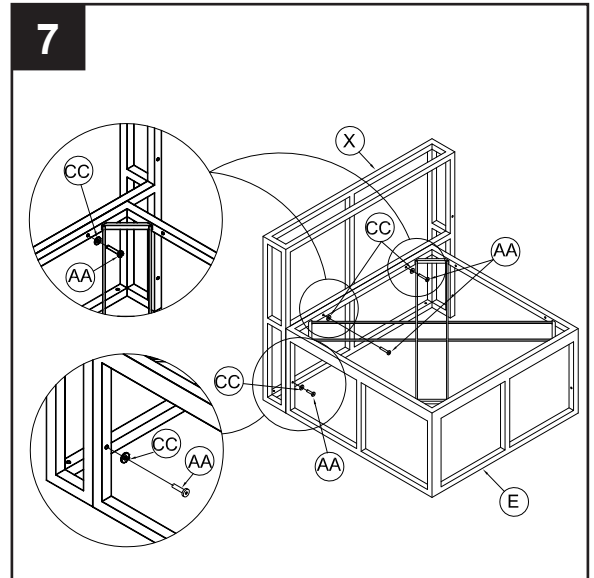
# ASSEMBLY INSTRUCTIONS

## FRAME ASSEMBLY

7. Align two upper holes of the back frame (X). Insert an M6 x 35 L bolt (AA) through M6 washer (CC) with the seat frame (E). Then align two the side holes of the back frame (X) insert an M6 x 35 L (AA) through M6 washer (CC). Do not tighten completely. Repeat this procedure for the adjacent hole.



### Hardware Used

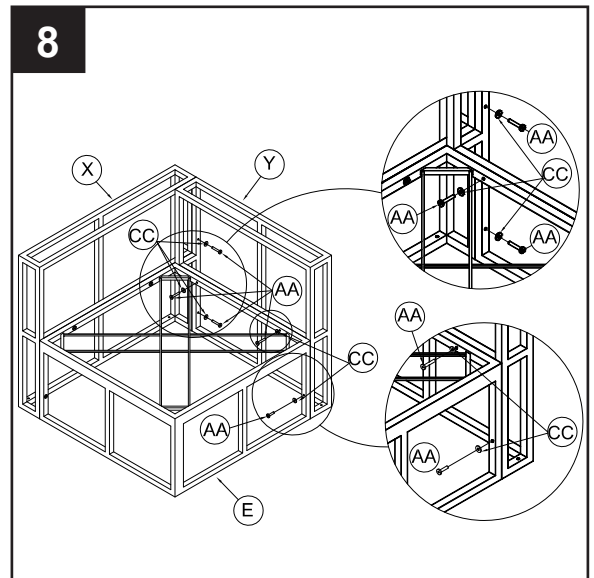
AA	M6 x 35 L Bolt		x 3
CC	M6 Washer		x 3



8. Align two holes of back frame (X) the opposite side with the side frame (Y) insert an the M6 x 35 L bolt (AA) through the M6 washer (CC). Then align two holes before of the side frame (Y) with the seat frame (E) insert the M6 x 35 L bolt (AA) and the M6 x 35 L bolt (AA) through the M6 washer (CC) . Do not tighten completely. Repeat this procedure for the adjacent hole.



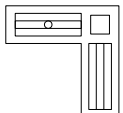
### Hardware Used

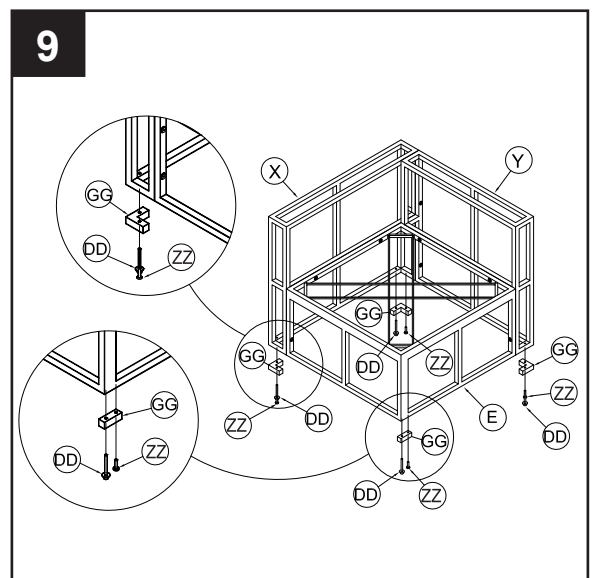
AA	M6 x 35 L Bolt		x 5
CC	M6 Washer		x 5



9. Attach one the " L " plastic foot (GG)to the lower corner of the seat frame (E) , and three the " L " plastic foot (GG) into the lower corner of the back frame (X) and side frame (Y) by using M6 x 40L bolt (ZZ) and Knob (DD). Then tighten all bolts by using allen wrench.

### Hardware Used

ZZ	M6 x 40 L Bolt		x 4
DD	Knob		x 4
GG	" L " plastic Foot		x 4

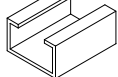


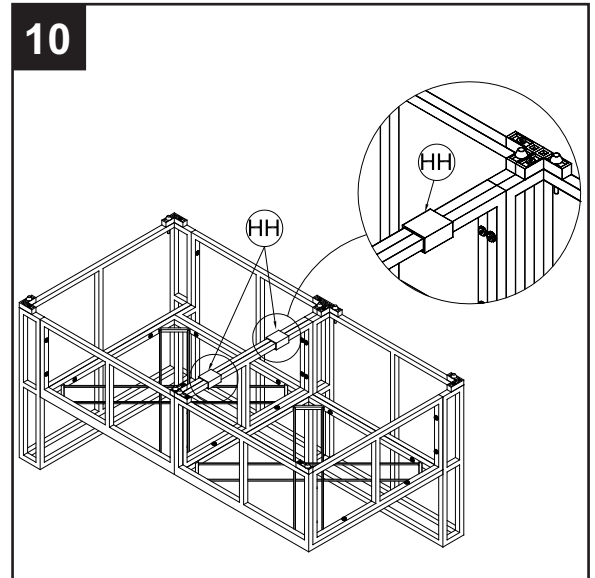
# ASSEMBLY INSTRUCTIONS

## FRAME ASSEMBLY

10. Attached the products by plastic shackles.



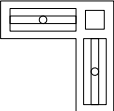
### Hardware Used

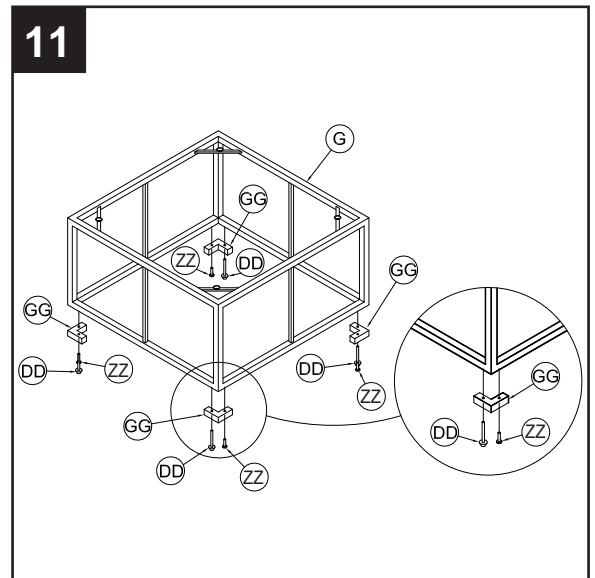
ⓂⓂ Plastic shackle  X 10



11. Attach four the " L " plastic foot (FF) to the lower corner of the table (G) by using M6 x 25L bolt (ZZ) and Knob (DD). Then tighten all bolts by using allen wrench.

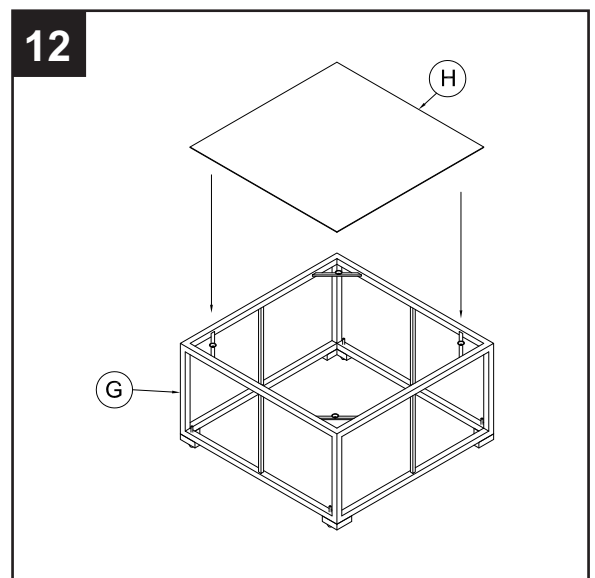
### Hardware Used

ⓏⓏ M6 x 40 L Bolt  X 4  
 ⓓⓓ Knob  X 4  
 ⓖⓖ " L " Plastic Foot  X 4



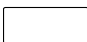

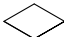

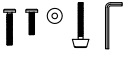








12. Put the glass (H) on the table (G). And make adjustments. The assembly of this product has been completed.








### Hardware Used



CTN NO.	INCLUDING
1	2 Pillow + 3 seat cushion + 2 back cushion + 1 Table + 1 Glass + 1 Back frame of Armless chair + Hardware + Plastic nut
2	4 seat frame of Armless chair + 1 seat cushion+ 2 back cushion + 8 side frame of Armless chair + 3 back frame of armless chair
3	2 seat frame of Corner chair + 2 seat cushion+ 4 back cushion + 2 side frame of Corner chair + 2 back frame of Corner chair

No	Product clusters inside carton - 1/3 pce	Reference Picture	Part	Qty
1	Pillow			2
2	Seat cushion			3
3	Back cushion			2
4	Table		G	1
5	Glass		H	1
6	Back frame of armless chair		A	1
7	Hardware		AA-BB-CC -DD-EE	178
8	Plastic foot		FF-GG-HH	38

No	Product clusters inside carton - 2/3 pce	Reference Picture	Part	Qty
1	Seat frame of the armless		B	4
2	Seat cushion			1
3	Back cushion			2
4	Side frame of armless chair		C	8
5	Back frame of armless chair		A	3

No	Product clusters inside carton - 3/3 pce	Reference Picture	Part	Qty
1	Seat frame of the Corner chair		E	2
2	Seat cushion			2
3	Back cushion			4
4	Right corner chair - Side		F	1
5	Right corner chair - Back		D	1
6	Left corner chair - Side		X	1
7	Left corner chair - Back		Y	1