

Yes, you still have to
dress yourself.

Dresser

County Line Collection | Model 416008

Need help? Visit Sauder.com to view video assembly tips or chat with a live rep.
Prefer the phone? Call 1-800-523-3987.

Share your journey!



NOTE: THIS INSTRUCTION BOOKLET CONTAINS **IMPORTANT** SAFETY INFORMATION. _____

PLEASE READ AND KEEP FOR FUTURE REFERENCE.

English pg 1-22
Français pg 23-25
Español pg 26-28

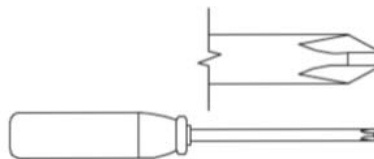
Lot # **372500** 05/14/15
Purchased: _____

Be sure to give us a ring before making any returns. 1-800-523-3987

Table of Contents

Assembly Tools Required

Part Identification	2-3
Hardware Identification	4
Assembly Steps	5-22
Français	23-25
Español	26-28
Safety	29-30
Warranty	31

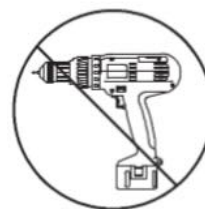


No. 2 Phillips Screwdriver
Tip Shown Actual Size



Hammer

Not actual size 😊

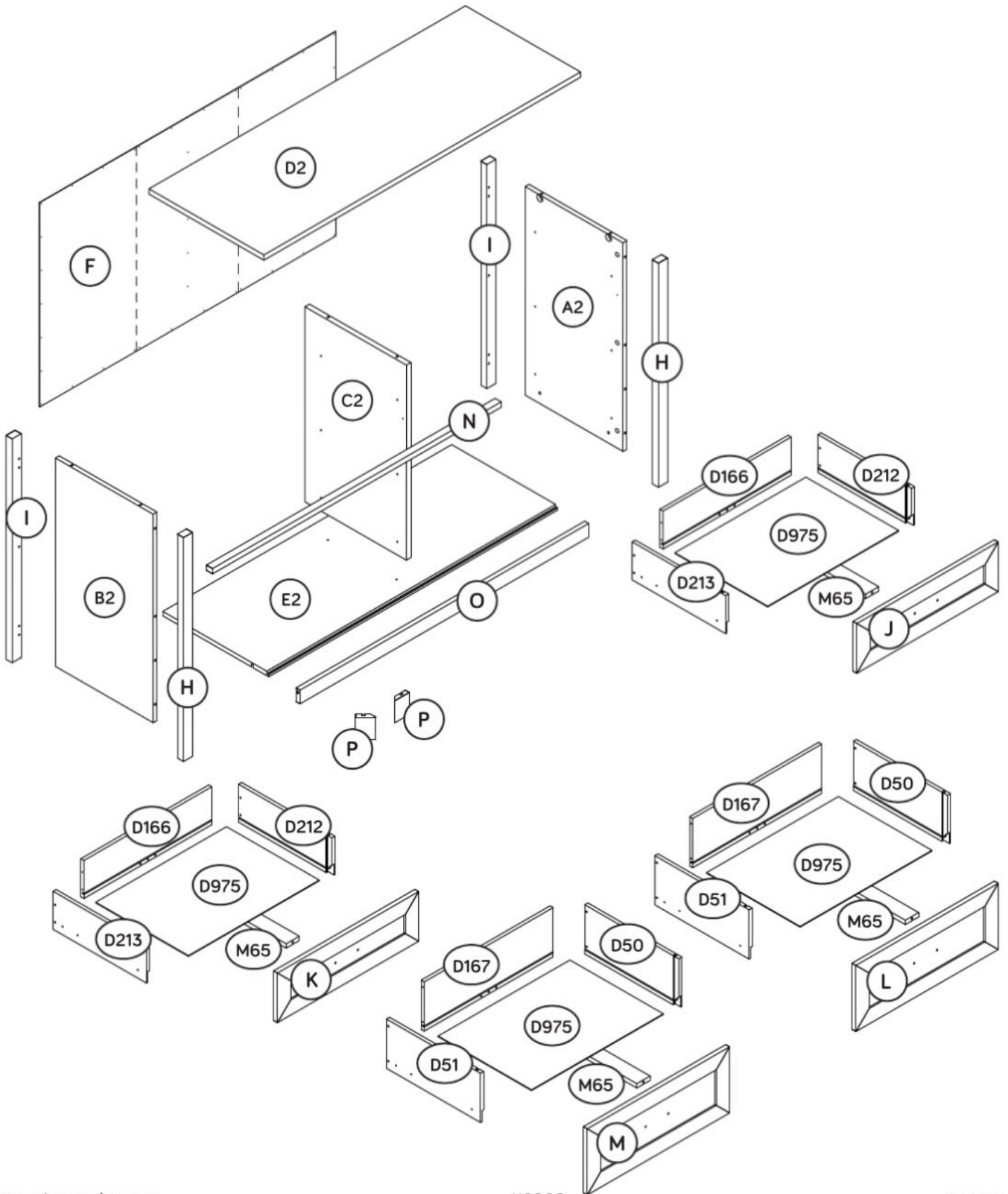


Skip the power trip.
This time.

Part Identification

⚠ While not all parts are labeled, some of the parts will have a label or an inked letter on the edge to help distinguish similar parts from each other. Use this part identification to help identify similar parts.

A2	RIGHT END (1)	M	LOWER DRAWER LEFT FRONT (2)
B2	LEFT END (1)	N	FRONT MOLDING (1)
C2	UPRIGHT (1)	O	BOTTOM MOLDING (1)
D2	TOP (1)	P	FOOT (2)
E2	BOTTOM (1)	D50	LOWER DRAWER RIGHT SIDE (4)
F	BACK (1)	D51	LOWER DRAWER LEFT SIDE (4)
M65	DRAWER BRACE (6)	D166	UPPER DRAWER BACK (2)
H	FRONT LEG (2)	D167	LOWER DRAWER BACK (4)
I	BACK LEG (2)	D212	UPPER DRAWER RIGHT SIDE (2)
J	UPPER DRAWER RIGHT FRONT (1)	D213	UPPER DRAWER LEFT SIDE (2)
K	UPPER DRAWER LEFT FRONT (1)	D975	DRAWER BOTTOM (6)
L	LOWER DRAWER RIGHT FRONT (2)		



Hardware Identification

↑
Screws are shown actual size. You may receive extra hardware with your unit.

40DA



UNIVERSAL CABINET RAIL - 12

40DC



DRAWER RIGHT - 6

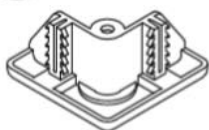
40DD



DRAWER LEFT - 6

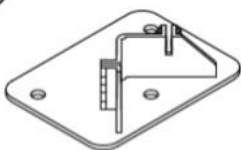
5E

CORNER CAP - 1



6E

FOOT BRACKET - 1



1F

HIDDEN CAM - 12



8F

CAM SCREW - 12



10F

TWIST-LOCK FASTENER - 10



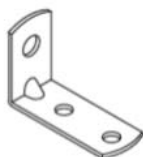
15F

WOOD DOWEL - 2



1G

SAFETY BRACKET - 1



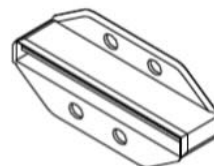
4G

METAL BRACKET - 3



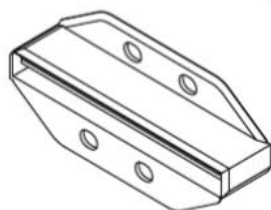
8G

DRAWER FRONT BRACKET - 2



9G

LARGE DRAWER FRONT BRACKET - 4



10I

WASHER - 12



98K

PULL - 6



5L

WARNING LABEL - 1



1N

NAIL - 39



(Refer to the last step for proper location and application)

1S

BLACK 9/16" LARGE HEAD SCREW - 36



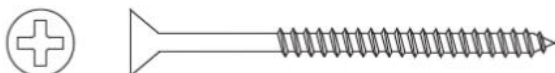
3S

GOLD 5/16" FLAT HEAD SCREW - 48



26S

BLACK 2-1/4" FLAT HEAD SCREW - 7



30S

BLACK 1-9/16" FLAT HEAD SCREW - 30



61S

SILVER 1/4" MACHINE SCREW - 12



113S

BLACK 1-15/16" FLAT HEAD SCREW - 2



Step 1

Look for this icon. It means a video assembly tip is available at www.sauder.com/services/tips

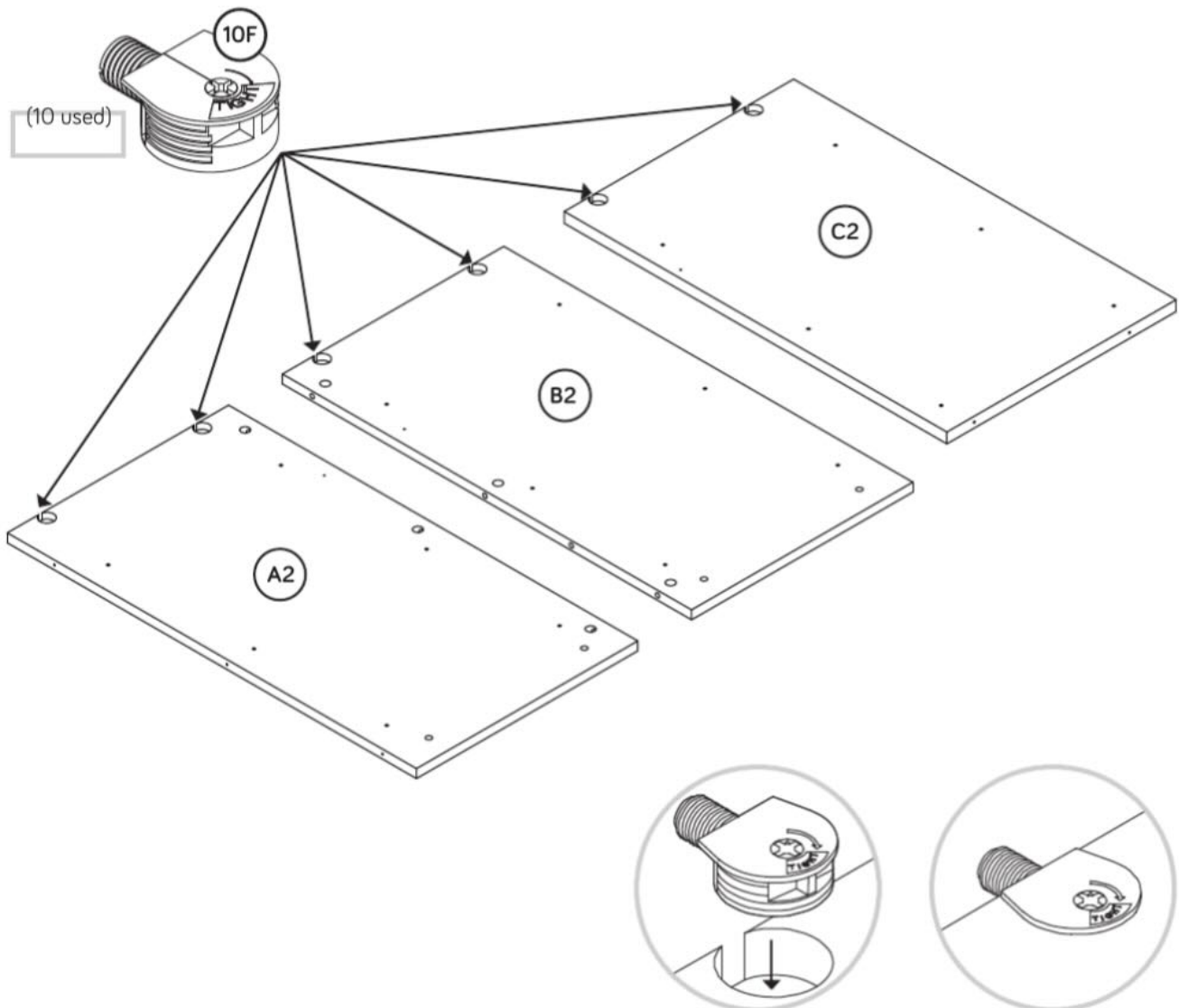


- Assemble your unit on a carpeted floor or on the empty carton to avoid scratching your unit or the floor.
- To begin assembly, push a SAUDER TWIST-LOCK® FASTENER (10F) into the large holes in the ENDS (A2 and B2) and UPRIGHT (C2).
- Repeat this step for the BOTTOM (E2).

Scan this QR code or go to this address: <http://qr.sauder.com/?ID=1280> to watch a video on how to assemble your unit.



Do not tighten the TWIST-LOCK® FASTENERS in this step.



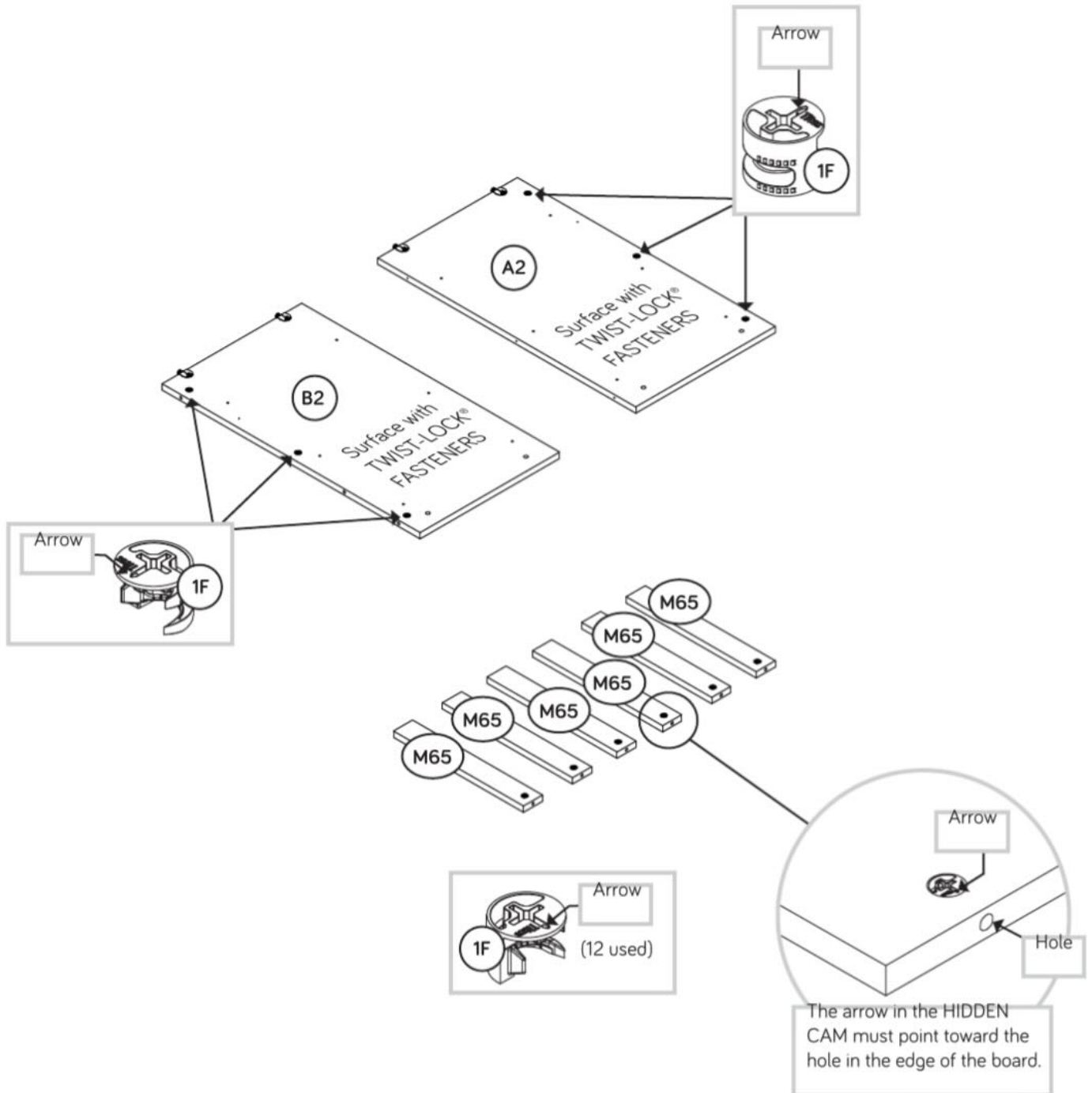
Step 2



- Push twelve HIDDEN CAMS (1F) into the ENDS (A2 and B2) and DRAWER BRACES (M65).



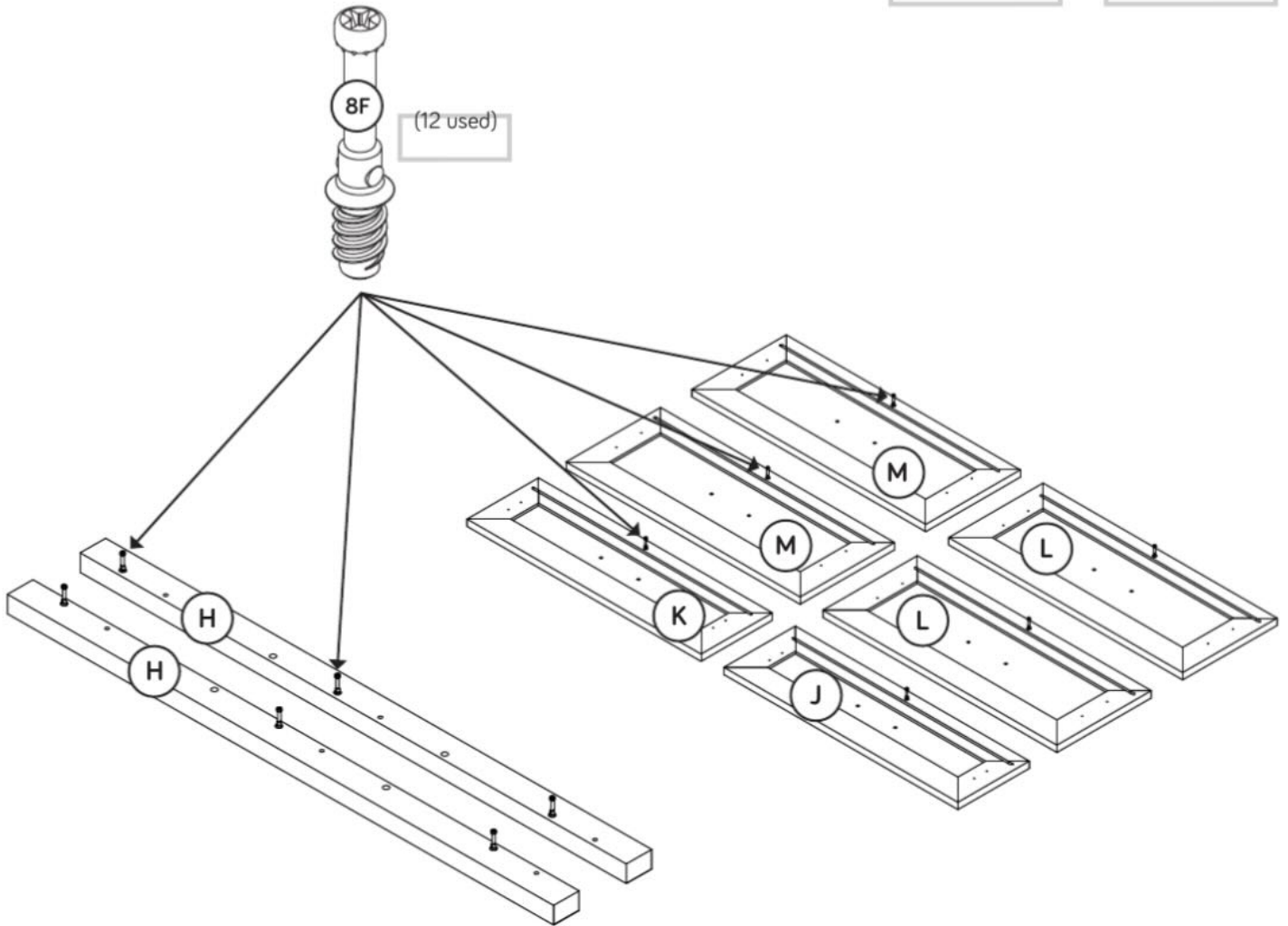
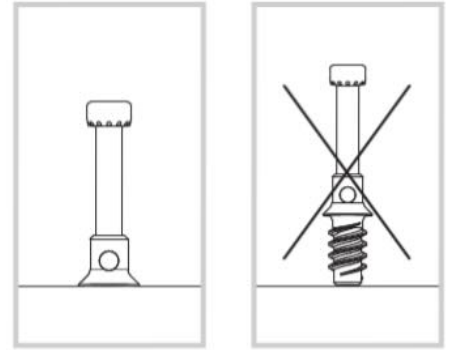
Just think. The sooner you do this, the sooner you do something else.



Step 3



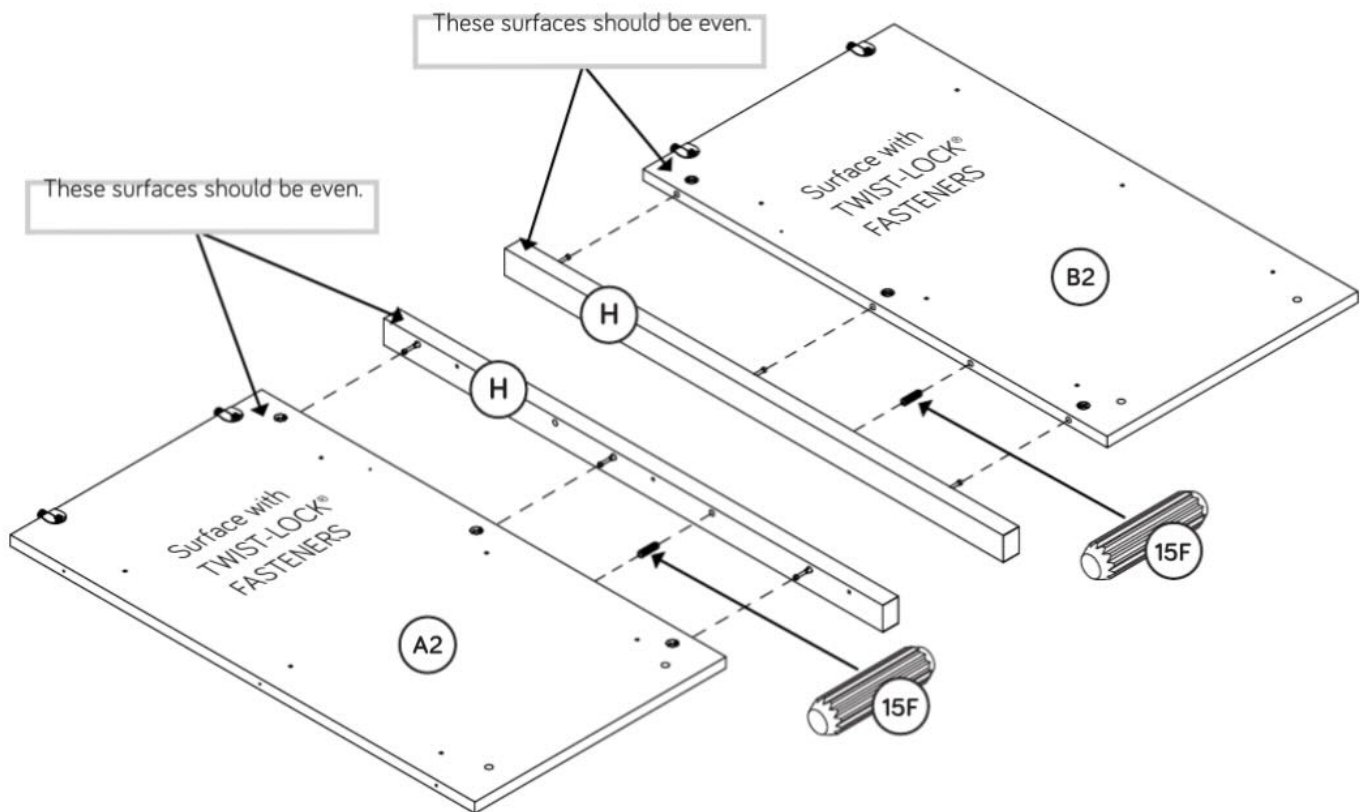
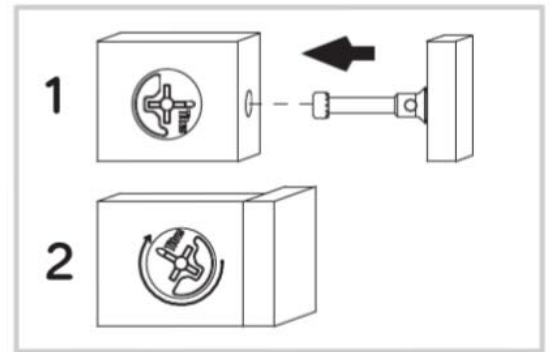
Turn twelve CAM SCREWS (8F) into the FRONT LEGS (H) and DRAWER FRONTS (J, K, L, and M).



Step 4

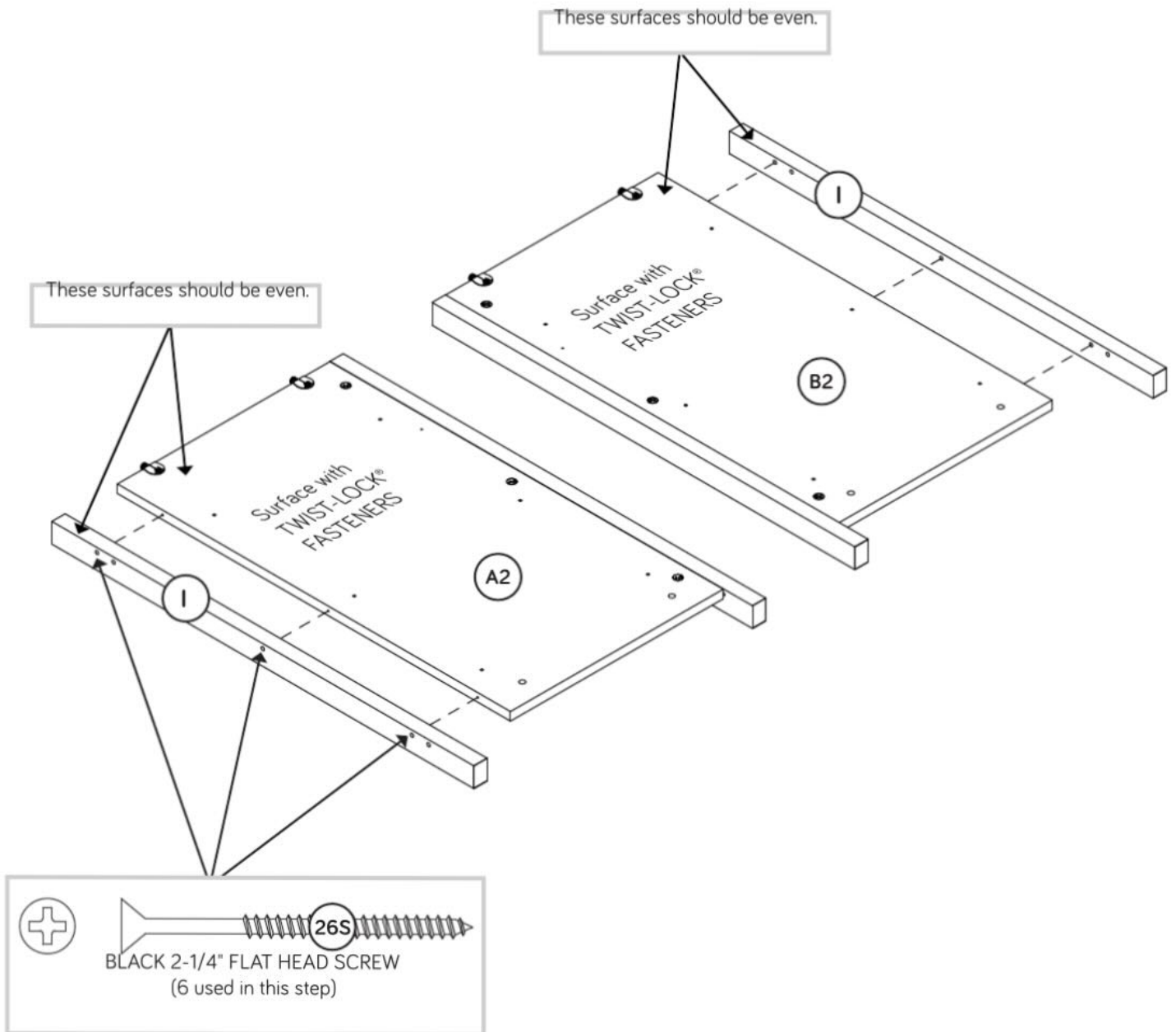


- ✚ Insert two WOOD DOWELS (15F) into the indicated holes in the FRONT LEGS (H).
- ✚ Fasten the FRONT LEGS (H) to the ENDS (A2 and B2). Tighten six HIDDEN CAMS.
- ✚ **NOTE:** Be sure the WOOD DOWELS in the LEGS insert into the ENDS.



Step 5

- Fasten the BACK LEGS (I) to the ENDS (A2 and B2). Use six BLACK 2-1/4" FLAT HEAD SCREWS (26S).



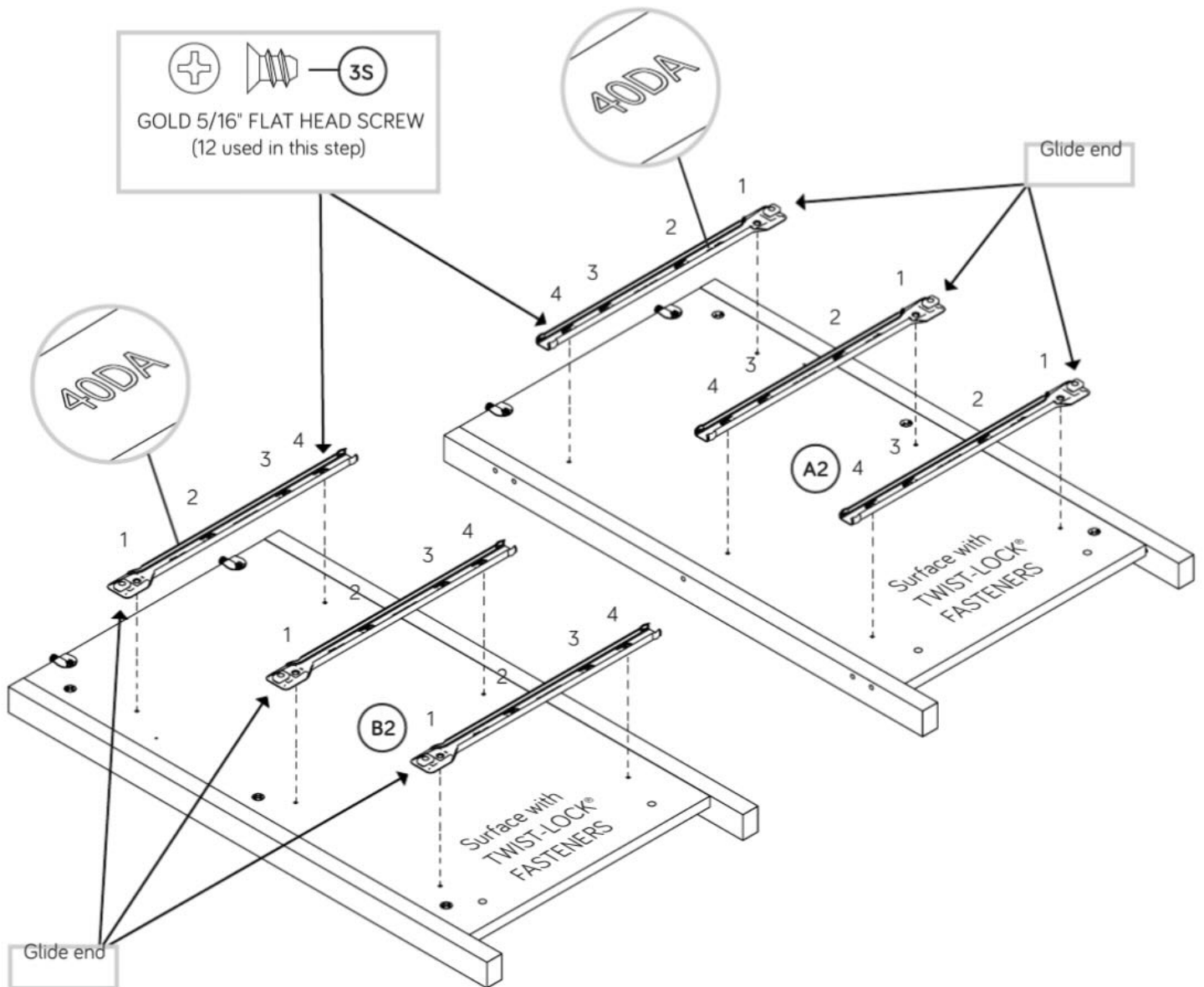
Step 6

VIEW THE DRAWER GLIDE VIDEO



- ✚ Fasten six UNIVERSAL CABINET RAILS* (40DA) to the ENDS (A2 and B2). Use twelve GOLD 5/16" FLAT HEAD SCREWS (3S) through holes #1 and #4.

✚ *patent pending glide system



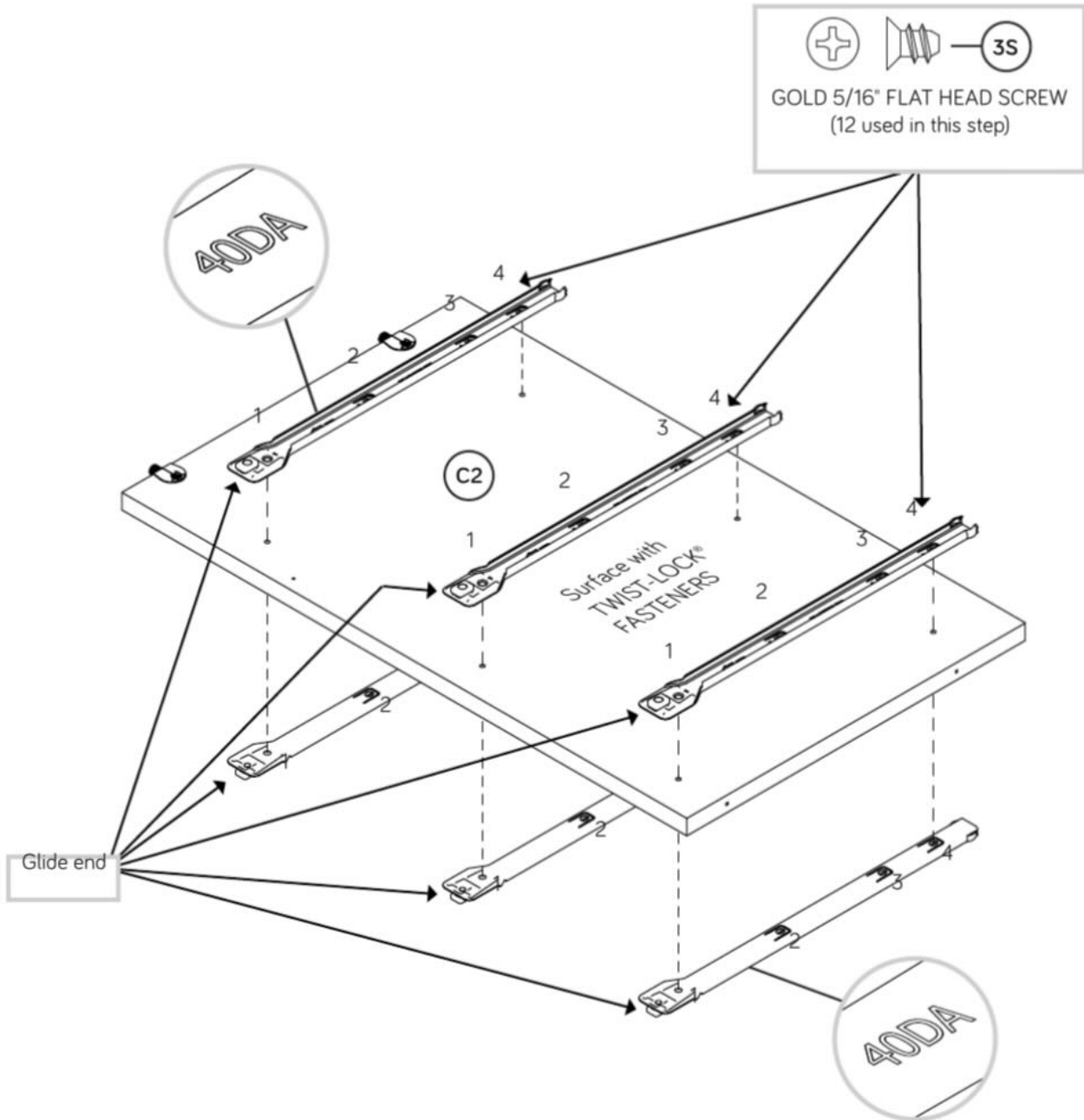
Step 7

VIEW THE DRAWER GLIDE VIDEO



- Fasten six UNIVERSAL CABINET RAILS* (40DA) to the UPRIGHT (C2). Use twelve GOLD 5/16" FLAT HEAD SCREWS (3S) through holes #1 and #4.

*patent pending glide system



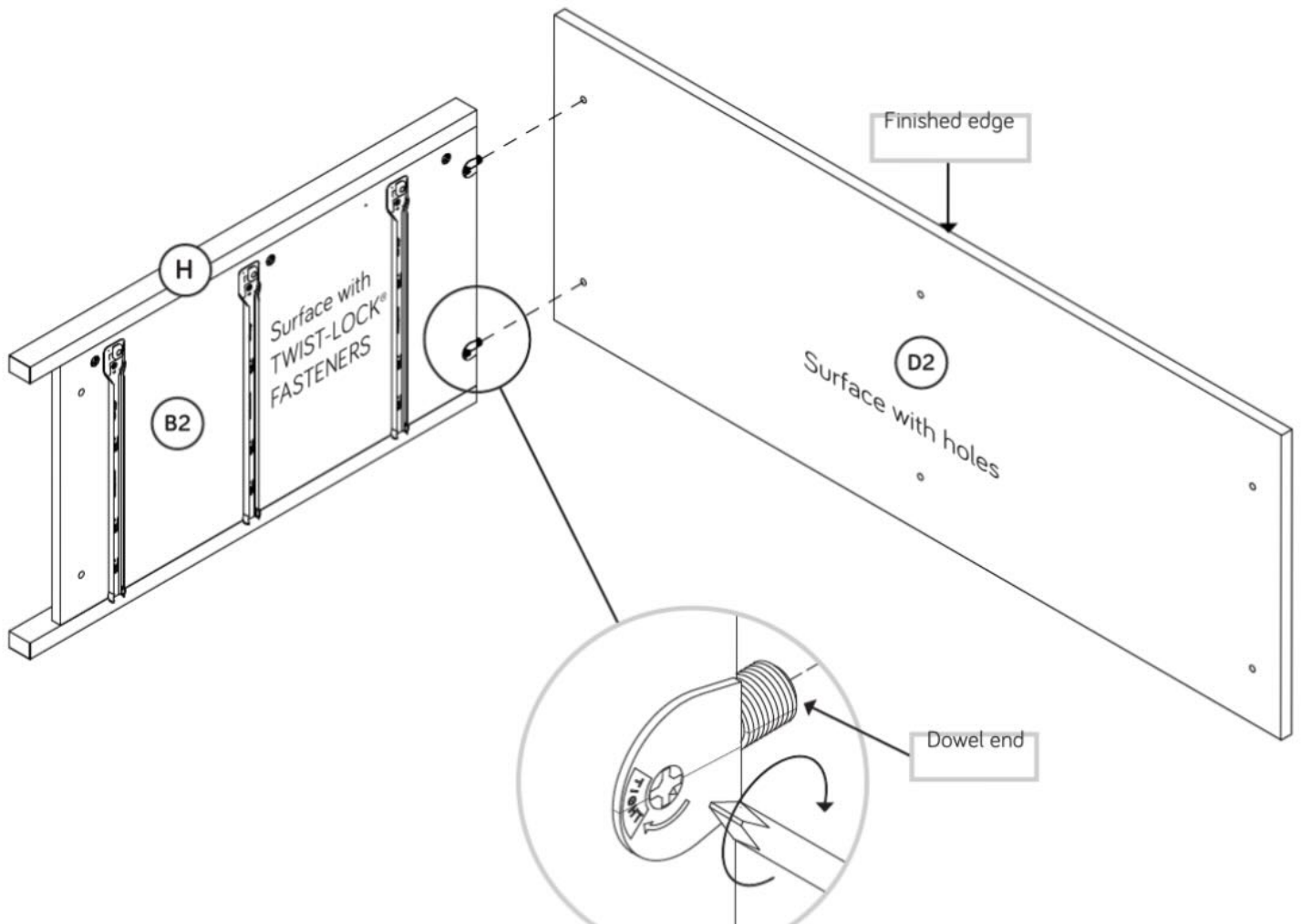
Step 8



Fasten the LEFT END (B2) to the TOP (D2). Tighten two TWIST-LOCK® FASTENERS.



Do not stand the unit upright without the BACK fastened. The unit may collapse.



How to use the SAUDER TWIST-LOCK FASTENER


1. Insert the dowel end of the FASTENER into the hole of the adjoining part.

NOTE: The dowel end of the FASTENER must remain fully inserted in the hole of the adjoining part while locking the FASTENER.

2. Tighten the FASTENER with a Phillips screwdriver as tight as possible.

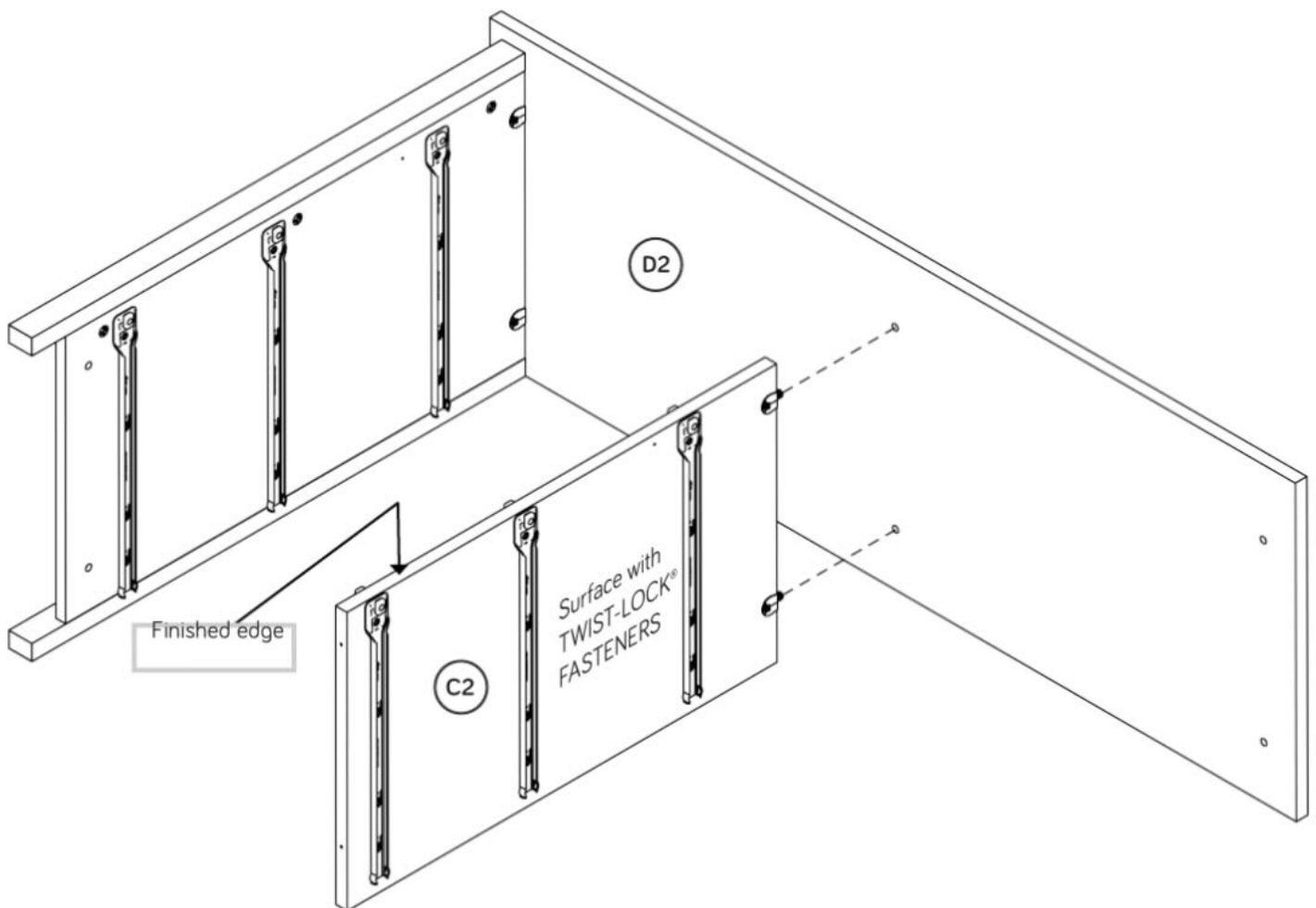
Step 9



 Fasten the UPRIGHT (C2) to the TOP (D2). Tighten two TWIST-LOCK® FASTENERS.



Don't worry. It isn't Rome. This can be built in a day.



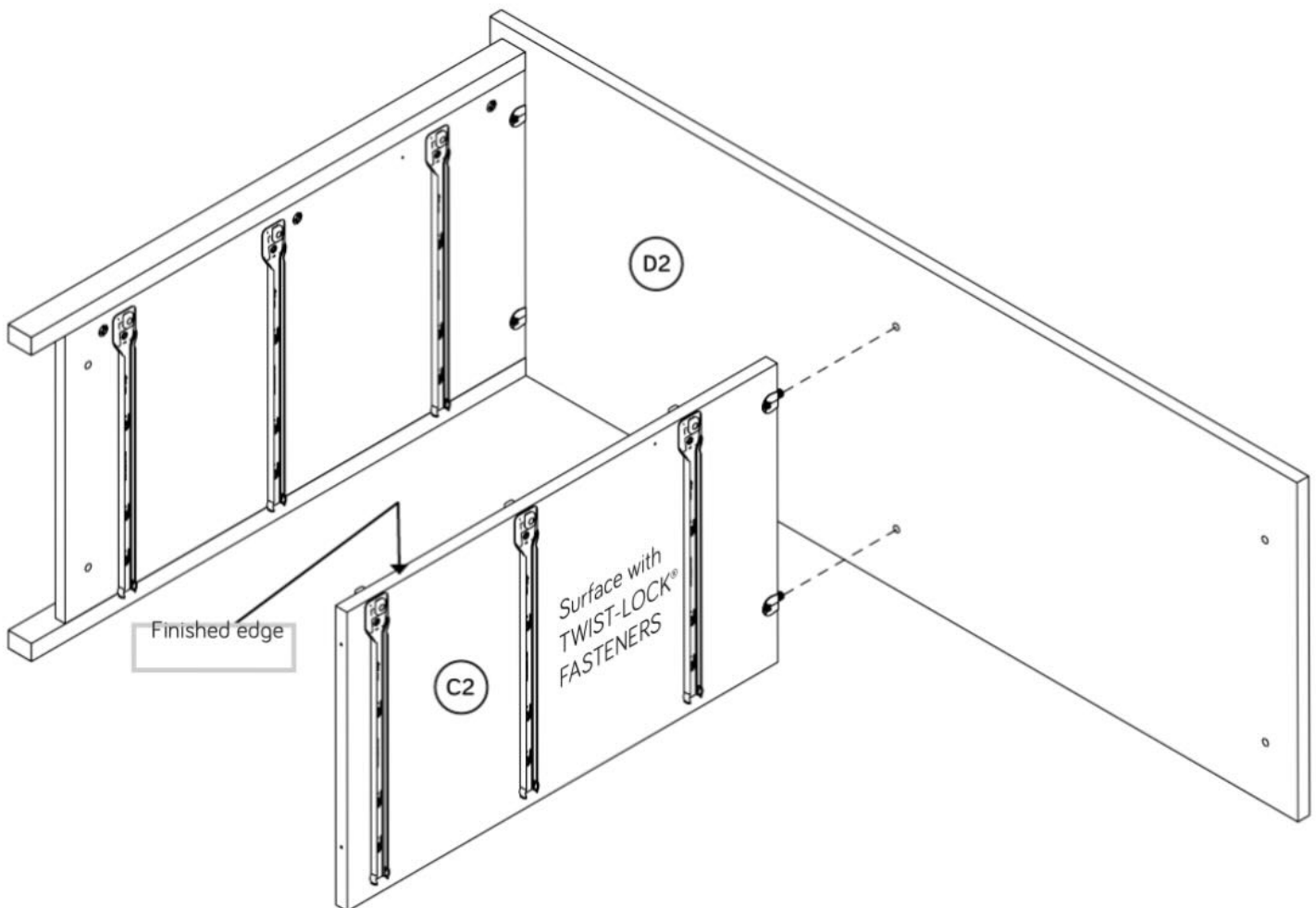
Step 9



- Fasten the UPRIGHT (C2) to the TOP (D2). Tighten two TWIST-LOCK® FASTENERS.



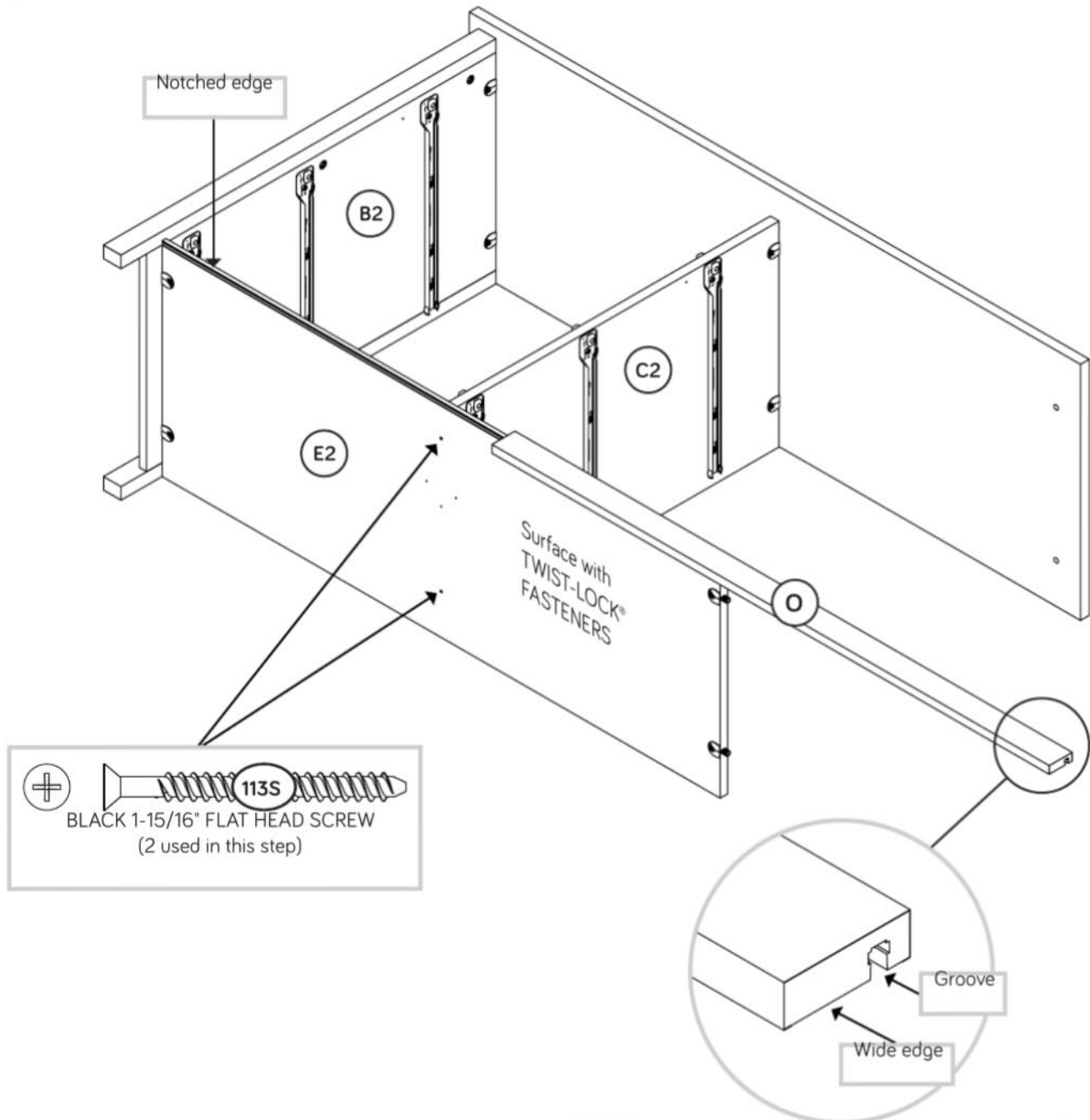
Don't worry. It isn't Rome. This can be built in a day.



Step 10



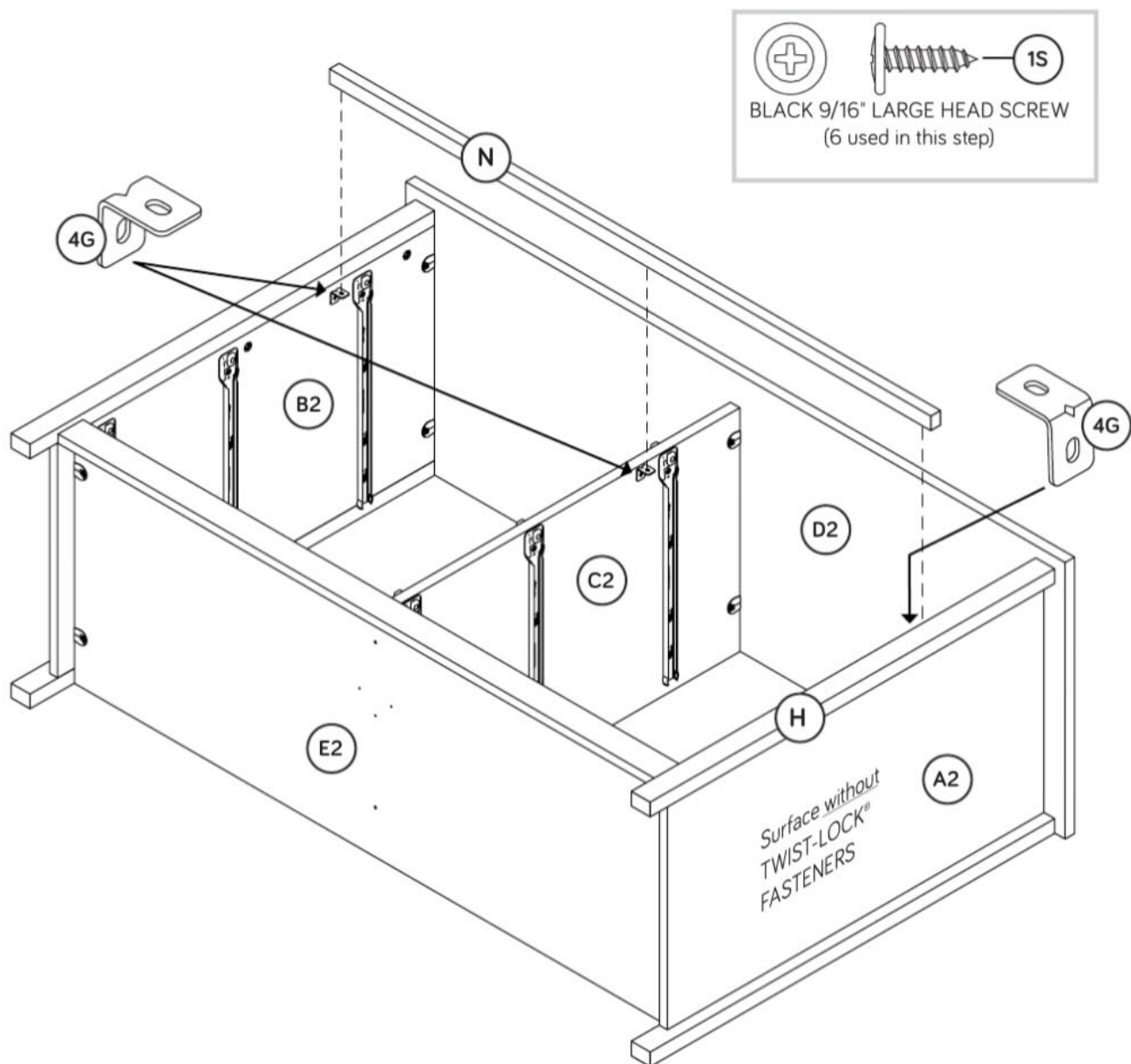
- ✚ Fasten the **BOTTOM (E2)** to the **LEFT END (B2)**. Tighten two **TWIST-LOCK® FASTENERS**.
- ✚ Fasten the **BOTTOM (E2)** to the **UPRIGHT (C2)**. Use two **BLACK 1-15/16" FLAT HEAD SCREWS (113S)**.
- ✚ Slide the **BOTTOM MOLDING* (O)** onto the notched edge of the **BOTTOM (E2)**.
- ✚ *U.S. Patent No. 5,499,886



Step 11



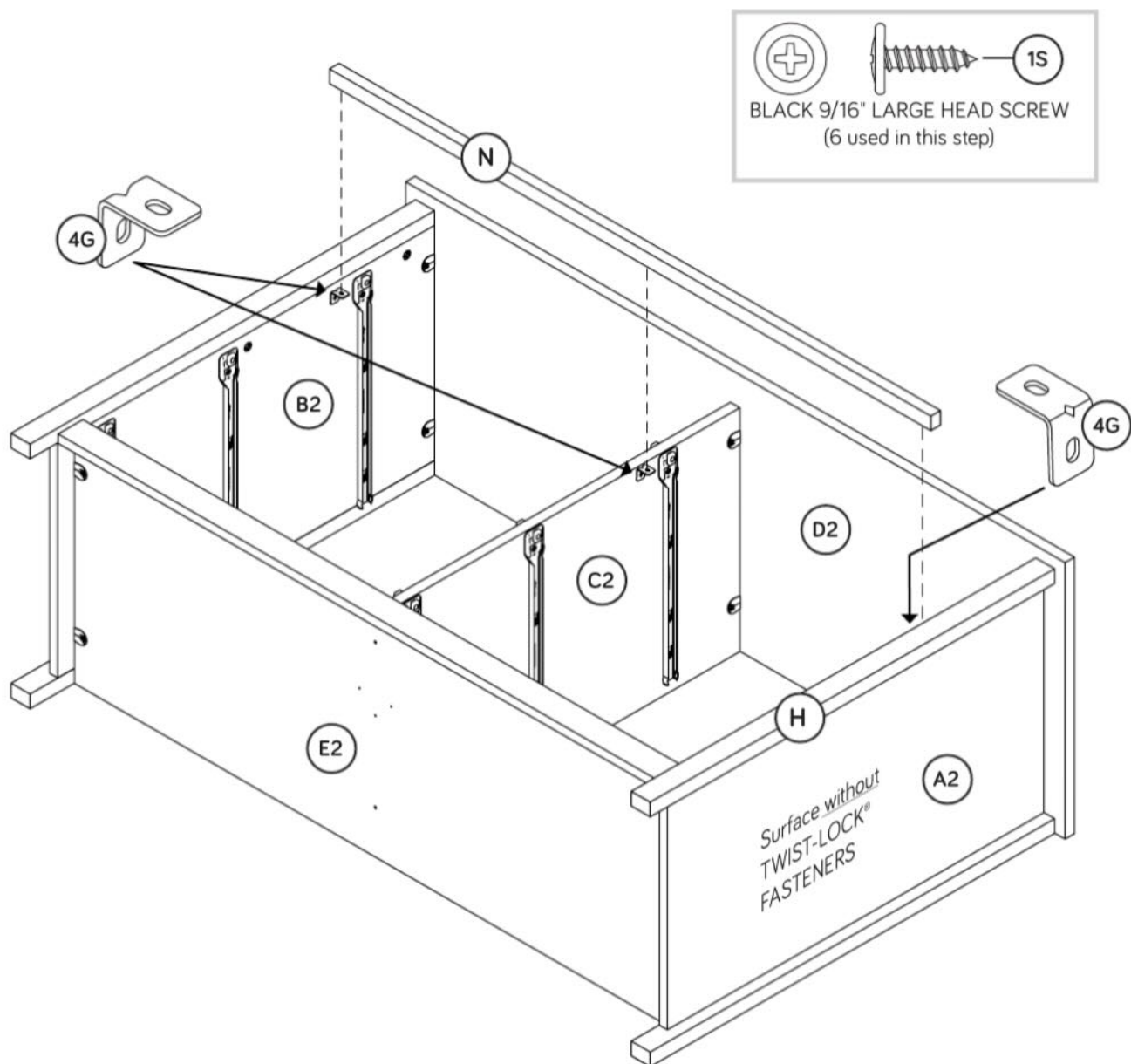
- ✚ Fasten the RIGHT END (A2) to the TOP (D2) and BOTTOM (E2). Tighten four TWIST-LOCK® FASTENERS.
- ✚ Fasten the METAL BRACKETS (4G) to the ENDS (A2 and B2) and UPRIGHT (C2). Use three BLACK 9/16" LARGE HEAD SCREWS (1S).
- ✚ Fasten the FRONT MOLDING (N) to the ENDS (A2 and B2) and UPRIGHT (C2). Use three BLACK 9/16" LARGE HEAD SCREWS (1S) through the BRACKETS and into the MOLDING.



Step 11



- ✚ Fasten the RIGHT END (A2) to the TOP (D2) and BOTTOM (E2). Tighten four TWIST-LOCK® FASTENERS.
- ✚ Fasten the METAL BRACKETS (4G) to the ENDS (A2 and B2) and UPRIGHT (C2). Use three BLACK 9/16" LARGE HEAD SCREWS (1S).
- ✚ Fasten the FRONT MOLDING (N) to the ENDS (A2 and B2) and UPRIGHT (C2). Use three BLACK 9/16" LARGE HEAD SCREWS (1S) through the BRACKETS and into the MOLDING.



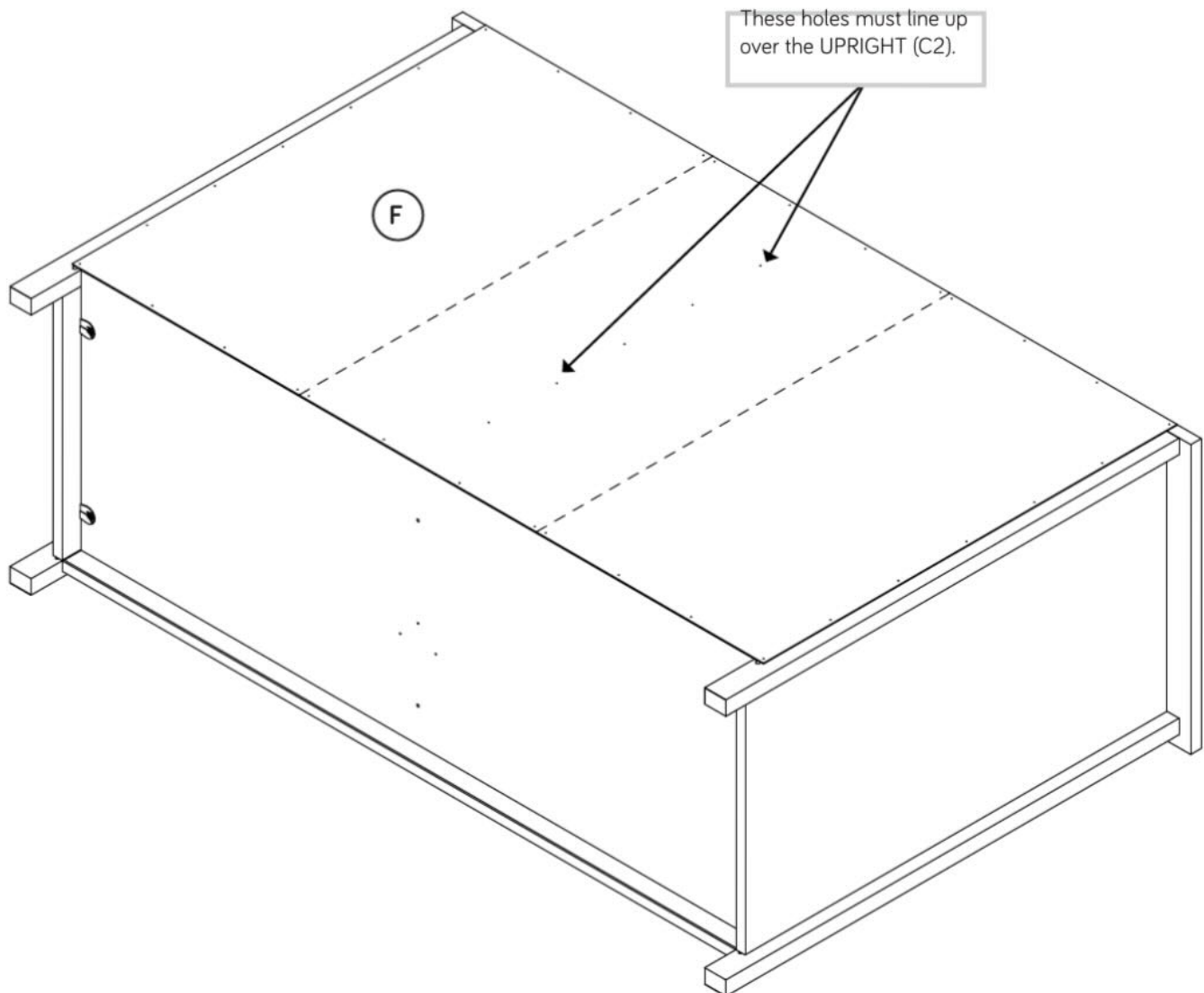
Step 12



- ✚ Carefully turn your unit over onto its front edges. Unfold the BACK (F) and lay it over your unit.
- ✚ Make equal margins along all four edges of the BACK (F). Push on opposite corners of your unit if needed to make it "square".
- ✚ Fasten the BACK (F) to your unit using the NAILS (1N).
- ✚ **NOTE:** Be sure to tap NAILS into the holes that line up over the UPRIGHT (C2).

Caution

Do not stand the unit upright without the BACK fastened. The unit may collapse.



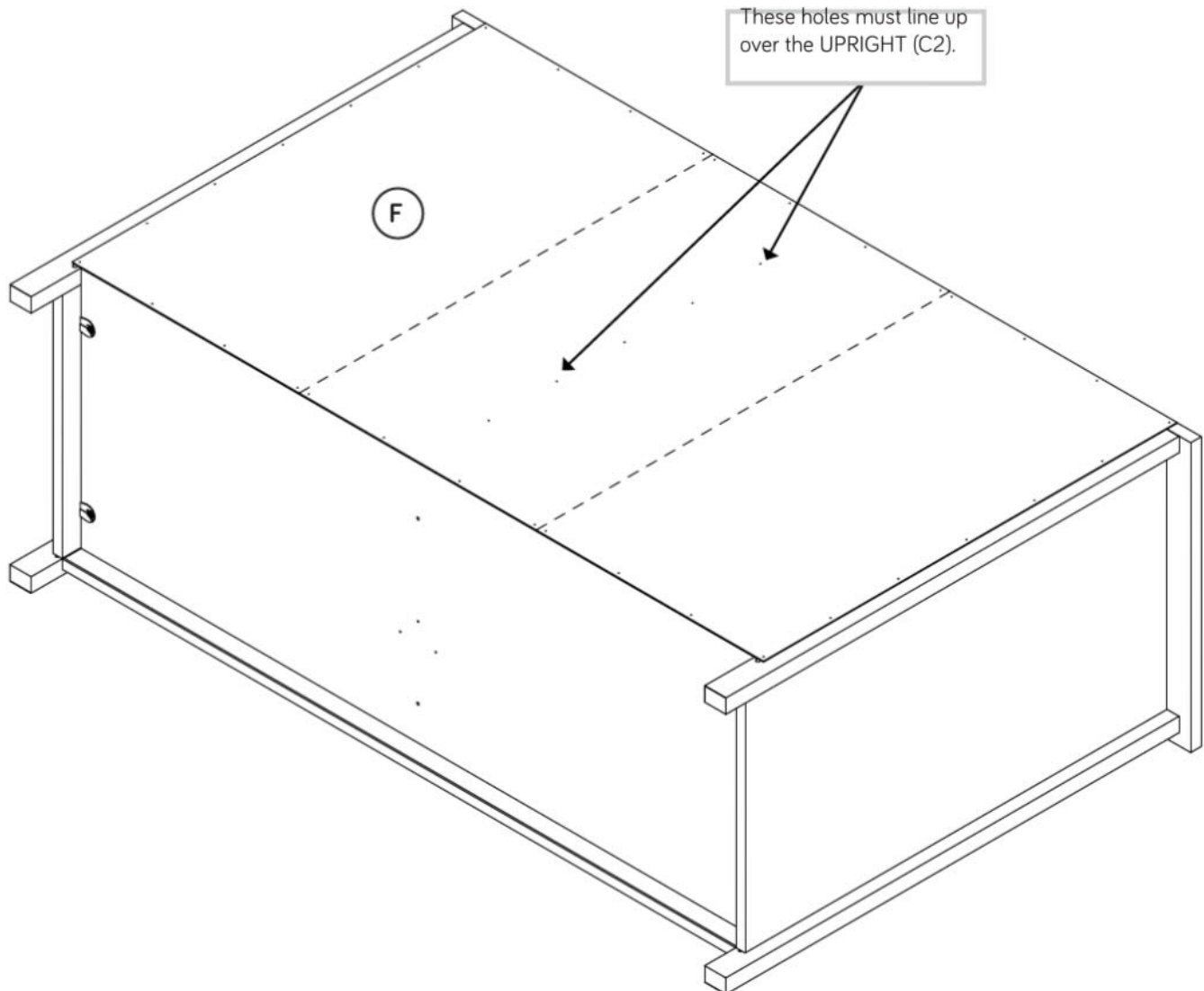
Step 12



- ✚ Carefully turn your unit over onto its front edges. Unfold the BACK (F) and lay it over your unit.
- ✚ Make equal margins along all four edges of the BACK (F). Push on opposite corners of your unit if needed to make it "square".
- ✚ Fasten the BACK (F) to your unit using the NAILS (1N).
- ✚ **NOTE:** Be sure to tap NAILS into the holes that line up over the UPRIGHT (C2).

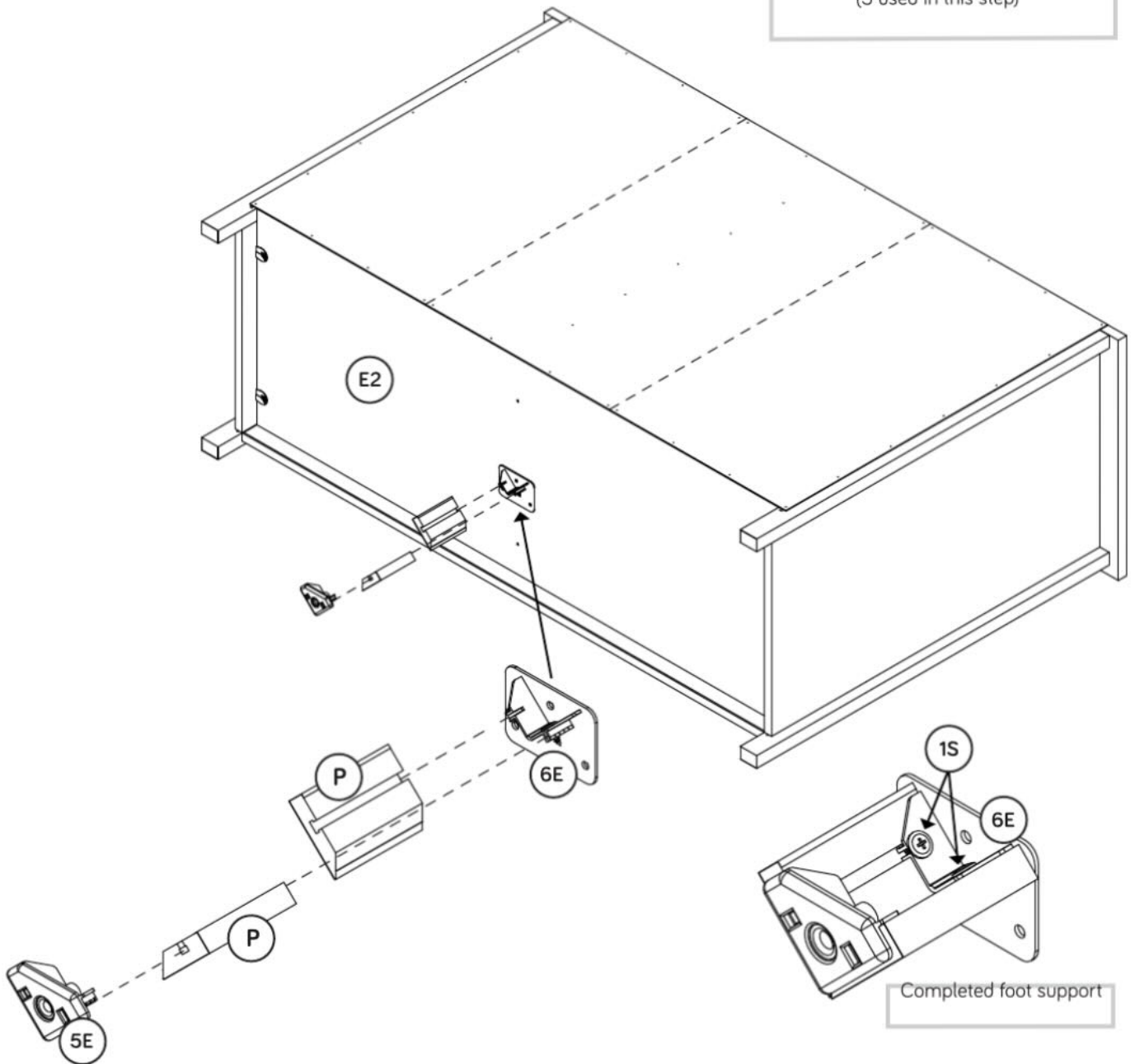
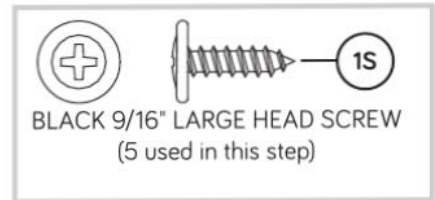
Caution

Do not stand the unit upright without the BACK fastened. The unit may collapse.



Step 13

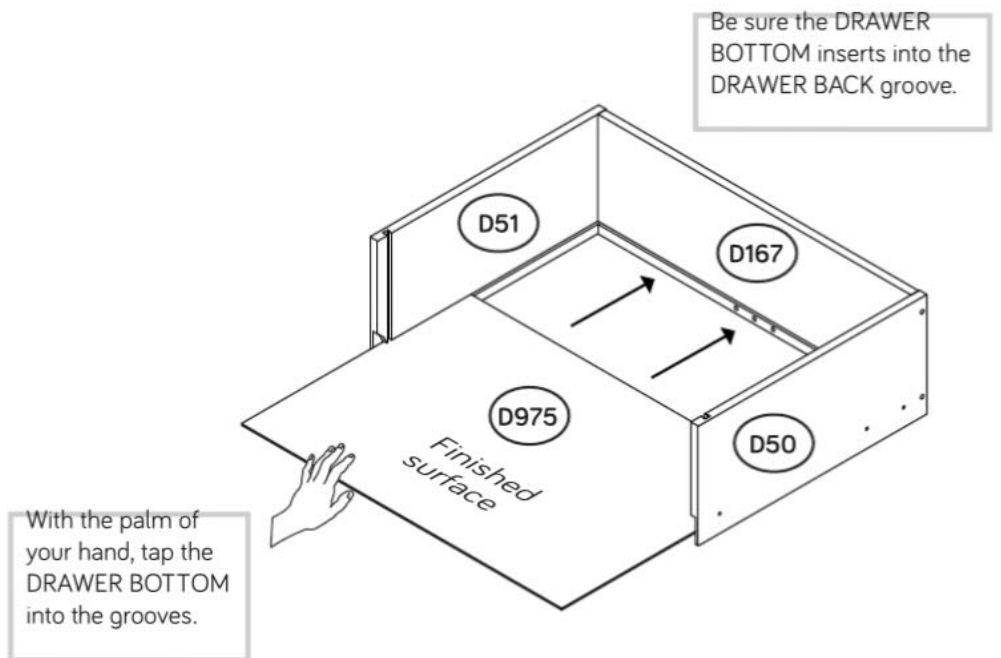
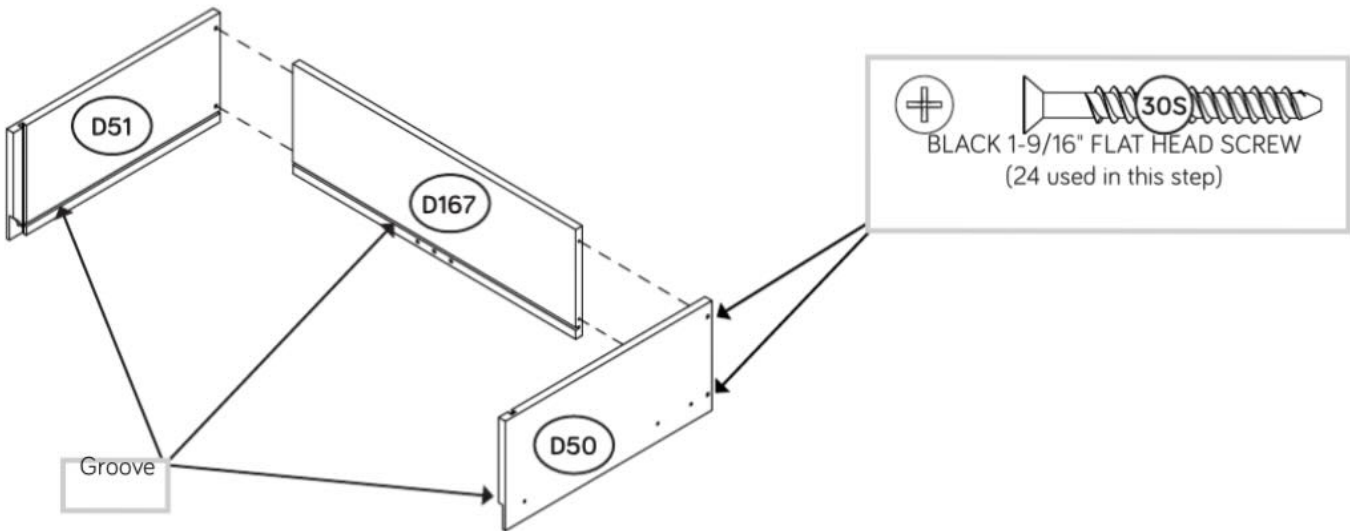
- Fasten the FOOT BRACKET (6E) to the BOTTOM (E2).
Use three BLACK 9/16" LARGE HEAD SCREWS (1S).
- Slide the FEET (P) onto the FOOT BRACKET (6E).
- Slide the CORNER CAP (5E) onto the FEET (P).
- Turn two BLACK 9/16" LARGE HEAD SCREWS (1S) into the short slots of the FOOT BRACKET (6E).



Step 14



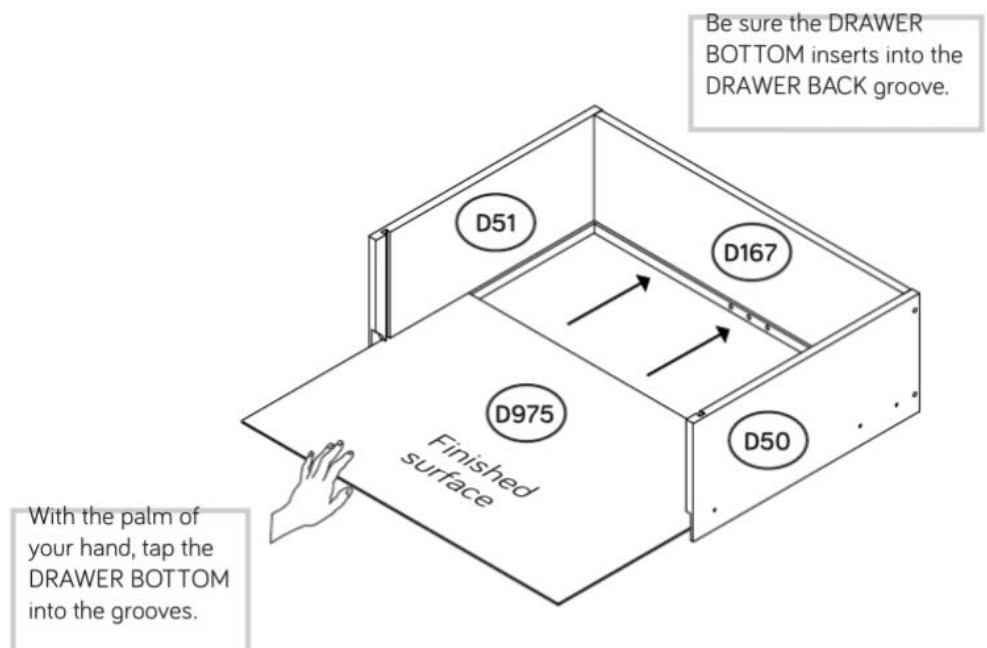
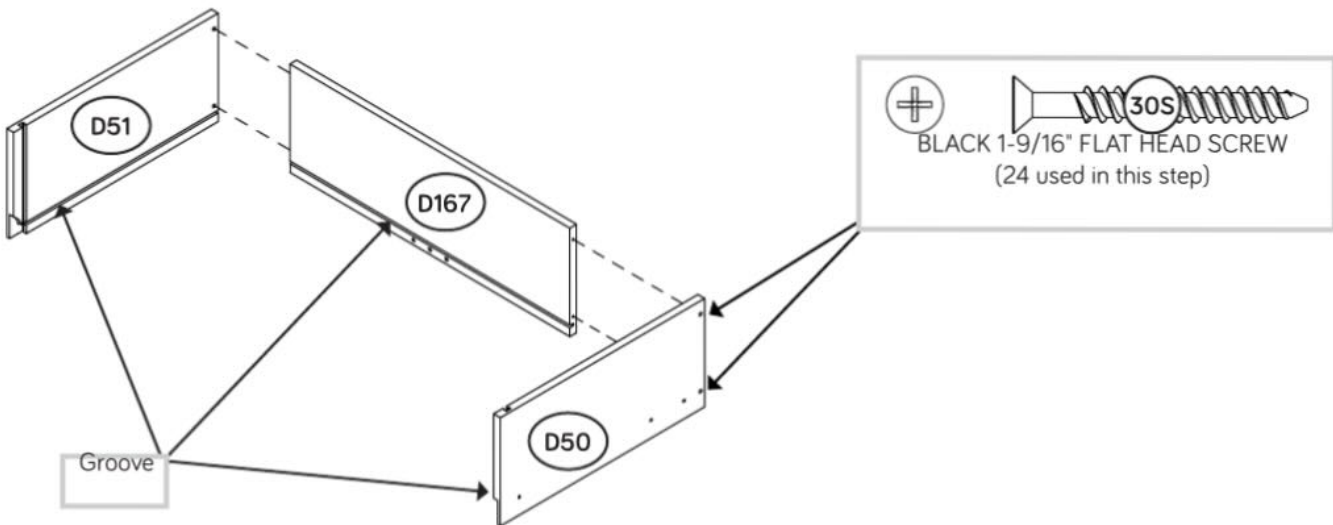
- ✚ Fasten the LOWER DRAWER SIDES (D50 and D51) to the LOWER DRAWER BACK (D167). Use four BLACK 1-9/16" FLAT HEAD SCREWS (30S).
- ✚ Slide the DRAWER BOTTOM (D975) into the grooves in the LOWER DRAWER SIDES and LOWER DRAWER BACK.
- ✚ Repeat this step for the other drawers.



Step 14



- ✚ Fasten the LOWER DRAWER SIDES (D50 and D51) to the LOWER DRAWER BACK (D167). Use four BLACK 1-9/16" FLAT HEAD SCREWS (30S).
- ✚ Slide the DRAWER BOTTOM (D975) into the grooves in the LOWER DRAWER SIDES and LOWER DRAWER BACK.
- ✚ Repeat this step for the other drawers.



Step 15



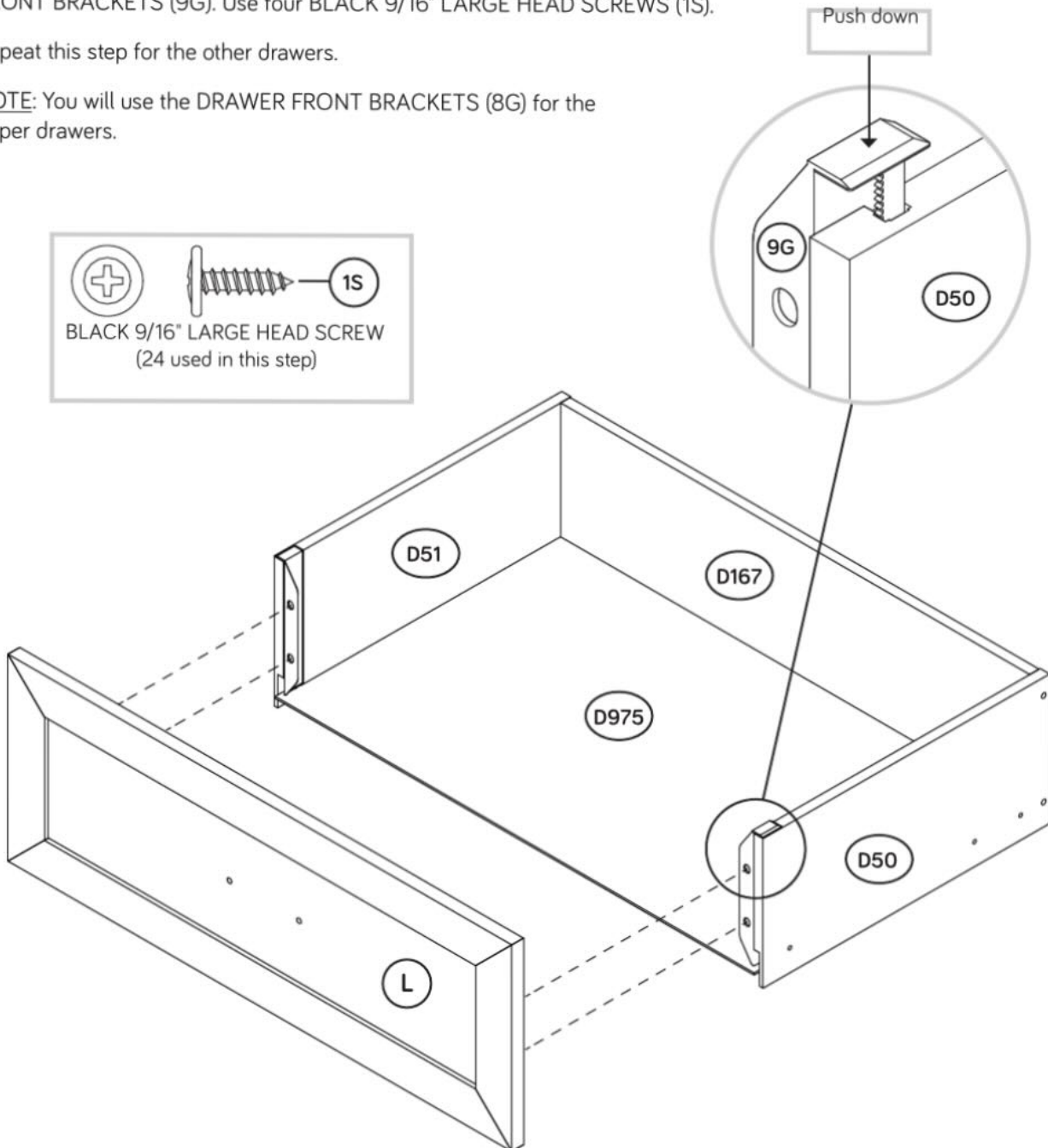
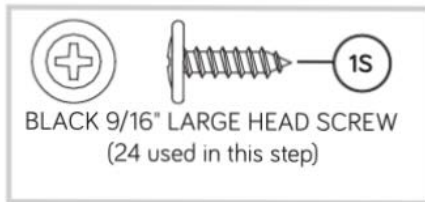
✂ Pull the LARGE DRAWER FRONT BRACKETS (9G) apart and slide them into the grooves in the LOWER DRAWER SIDES (D50 and D51). You may need to gently tap them in with a hammer.

✂ **NOTE:** The DRAWER FRONT BRACKETS are marked "RH" and "LH" for easy identification.

✂ Fasten the LOWER RIGHT DRAWER FRONT (L) to the LARGE DRAWER FRONT BRACKETS (9G). Use four BLACK 9/16" LARGE HEAD SCREWS (1S).

✂ Repeat this step for the other drawers.

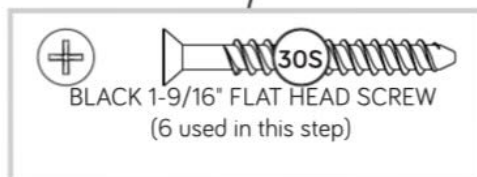
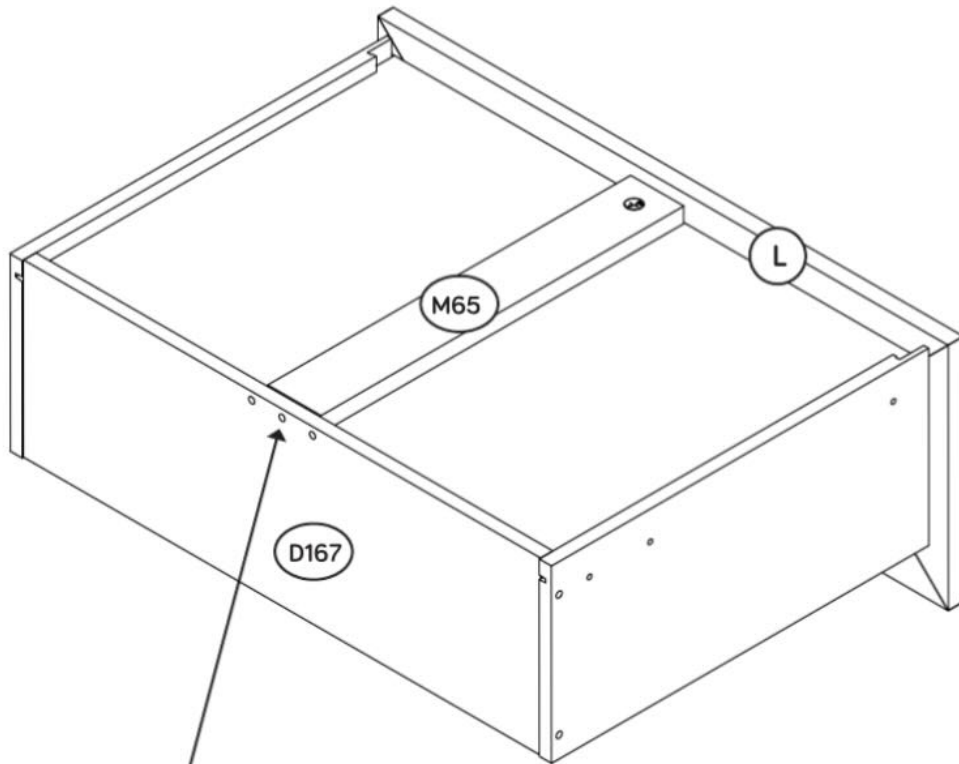
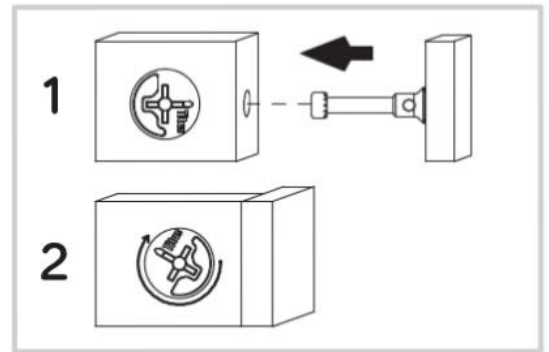
✂ **NOTE:** You will use the DRAWER FRONT BRACKETS (8G) for the upper drawers.



Step 16



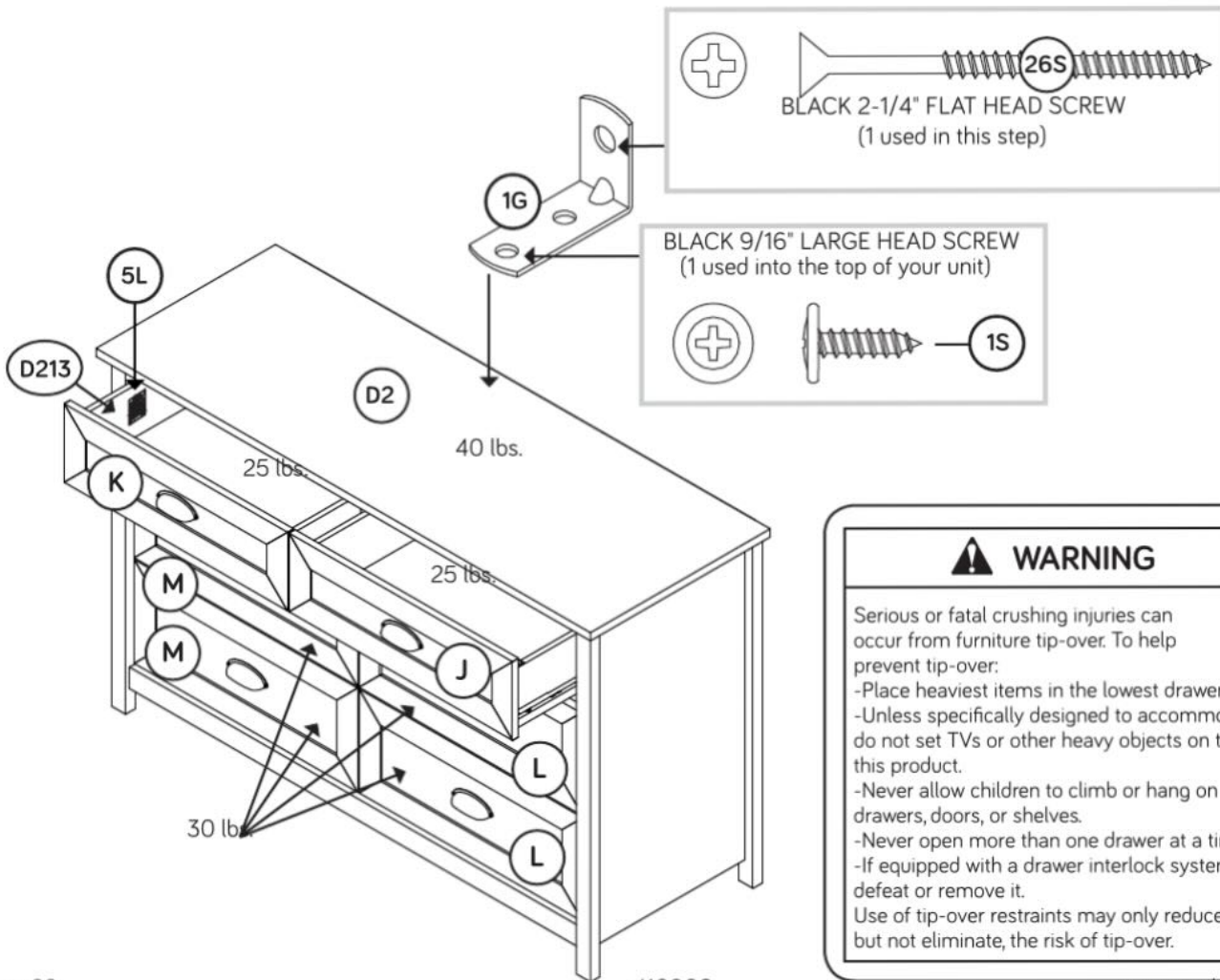
- ✚ Flip the drawer over and fasten the DRAWER BRACE (M65) to the LOWER RIGHT DRAWER FRONT (L). Tighten the HIDDEN CAM.
- ✚ Fasten the DRAWER BRACE (M65) to the LOWER DRAWER BACK (D167). Use one BLACK 1-9/16" FLAT HEAD SCREW (30S).
- ✚ Repeat this step for the other drawers.



Step 18

- Carefully stand your unit upright.
- To insert the drawers into your unit, tip the front of the drawer down and drop the glides on the drawer behind the glides on the unit. Lift the front of the drawer up and slide it into the unit as shown in the upper views.
- To make adjustments to the drawers, loosen the SCREWS in the DRAWER FRONT BRACKETS, make needed adjustments, and tighten the SCREWS.
- We recommend using the SAFETY BRACKET (1G) for added stability. Use a BLACK 9/16" LARGE HEAD SCREW (1S) into the top of the unit and a BLACK 2-1/4" FLAT HEAD SCREW (26S) into a stud in your wall.
- Apply the WARNING LABEL (5L) to the upper DRAWER LEFT SIDE (D213). You should be able to read the label when the drawer is open. When the drawer is closed, it will hide the label. Peel off the backing and apply the label as shown in the diagram.
- NOTE:** This is a permanent label intended to last for the life of the product. Once applied, do not try to remove it.
- NOTE:** Please read the back pages of the instruction booklet for important safety information.
- This completes assembly. Clean with your favorite furniture polish or a damp cloth. Wipe dry.

★ And to celebrate, why not share your success story?



⚠ WARNING

Serious or fatal crushing injuries can occur from furniture tip-over. To help prevent tip-over:

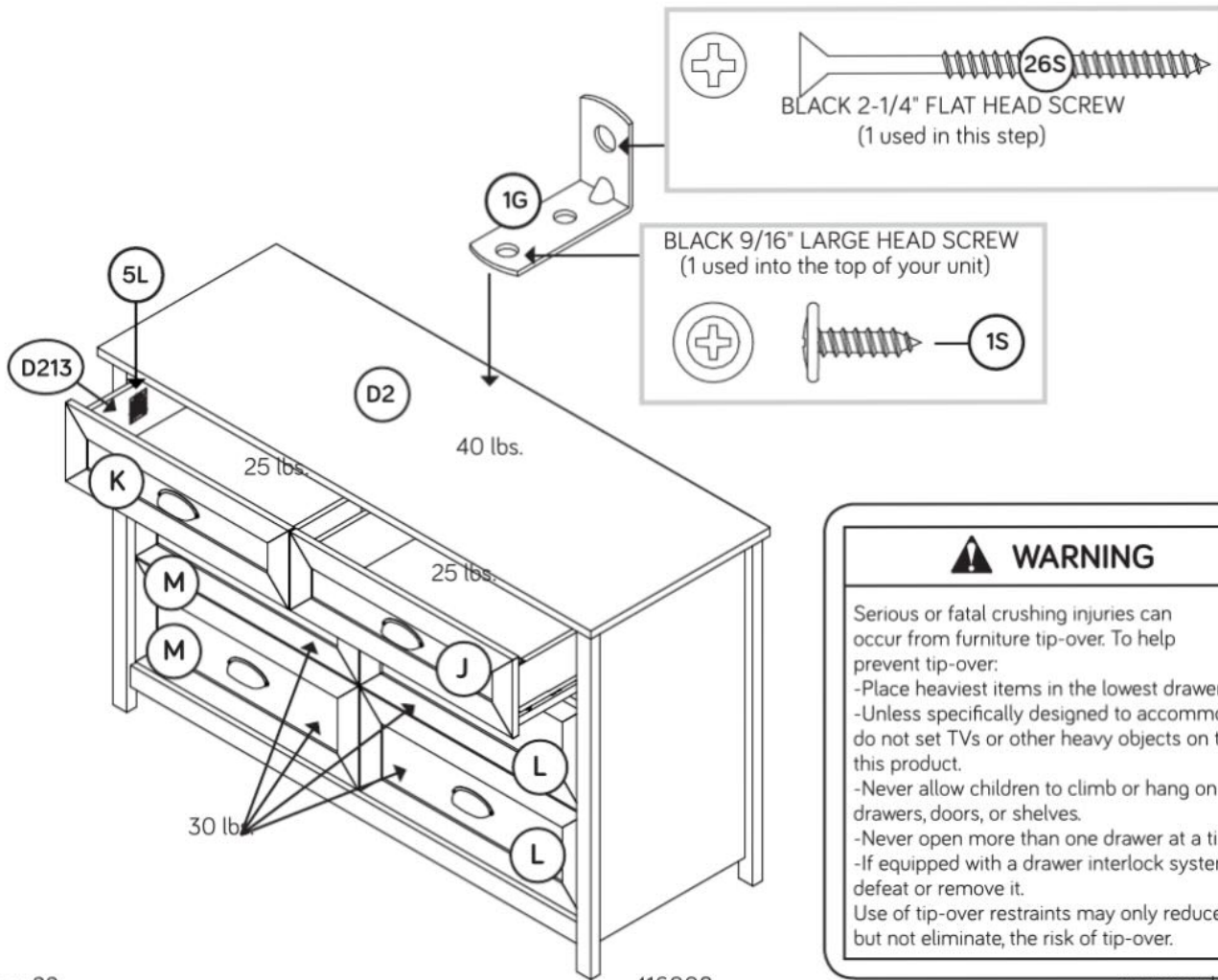
- Place heaviest items in the lowest drawers.
- Unless specifically designed to accommodate, do not set TVs or other heavy objects on top of this product.
- Never allow children to climb or hang on drawers, doors, or shelves.
- Never open more than one drawer at a time.
- If equipped with a drawer interlock system, do not defeat or remove it.

Use of tip-over restraints may only reduce, but not eliminate, the risk of tip-over.

Step 18

- ✂ Carefully stand your unit upright.
- ✂ To insert the drawers into your unit, tip the front of the drawer down and drop the glides on the drawer behind the glides on the unit. Lift the front of the drawer up and slide it into the unit as shown in the upper views.
- ✂ To make adjustments to the drawers, loosen the SCREWS in the DRAWER FRONT BRACKETS, make needed adjustments, and tighten the SCREWS.
- ✂ We recommend using the SAFETY BRACKET (1G) for added stability. Use a BLACK 9/16" LARGE HEAD SCREW (1S) into the top of the unit and a BLACK 2-1/4" FLAT HEAD SCREW (26S) into a stud in your wall.
- ✂ Apply the WARNING LABEL (5L) to the upper DRAWER LEFT SIDE (D213). You should be able to read the label when the drawer is open. When the drawer is closed, it will hide the label. Peel off the backing and apply the label as shown in the diagram.
- ✂ **NOTE:** This is a permanent label intended to last for the life of the product. Once applied, do not try to remove it.
- ✂ **NOTE:** Please read the back pages of the instruction booklet for important safety information.
- ✂ This completes assembly. Clean with your favorite furniture polish or a damp cloth. Wipe dry.

★ And to celebrate, why not share your success story?



⚠ WARNING

Serious or fatal crushing injuries can occur from furniture tip-over. To help prevent tip-over:

- Place heaviest items in the lowest drawers.
- Unless specifically designed to accommodate, do not set TVs or other heavy objects on top of this product.
- Never allow children to climb or hang on drawers, doors, or shelves.
- Never open more than one drawer at a time.
- If equipped with a drawer interlock system, do not defeat or remove it.

Use of tip-over restraints may only reduce, but not eliminate, the risk of tip-over.