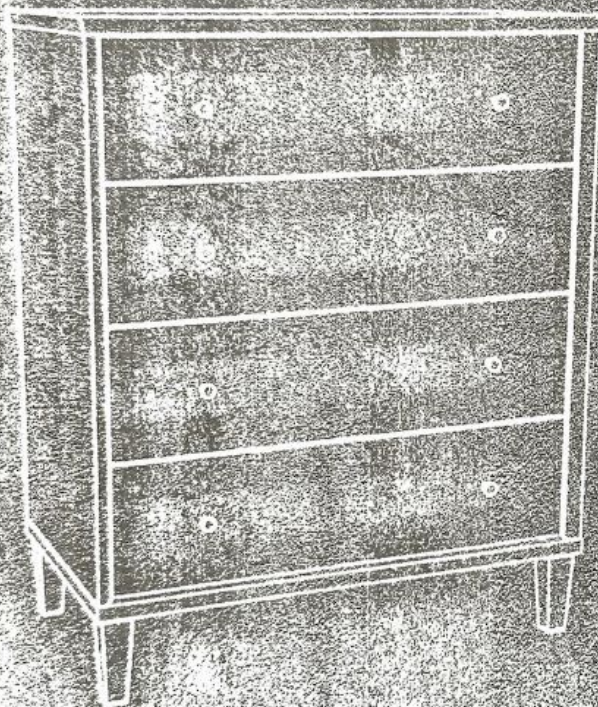


CONTACT US FIRST BEFORE MAKING ANY RETURNS TO THE RETAILER.

Visit sauder.com/service to order replacement parts, view video assembly tips, or chat with a live rep.
Prefer the phone? Give us a ring at 1-800-523-3987.

Customer Service is available Monday-Friday - 9 a.m. to 5:30 p.m. EST (except holidays)



 SAUDER

⚠ WARNING
CHOKING HAZARD - Small Parts
Not for children under 3 years.
Adult assembly required.

4-Drawer Chest

Willow Place Collection | Model 425267

Sauder.com

Share your journey!



NOTE: THIS INSTRUCTION BOOKLET CONTAINS **IMPORTANT SAFETY INFORMATION.**

PLEASE READ AND KEEP FOR FUTURE REFERENCE.

English pg 1-22
Français pg 23-25
Español pg 26-28

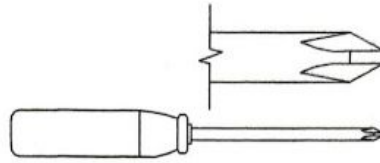
Lot # 539170
Purchased: _____

03/03/20

Table of Contents

Assembly Tools Required

Part Identification	3
Hardware Identification	4
Assembly Steps	5-22
Français	23-25
Español	26-28
Safety	29-30
Warranty	31



No. 2 Phillips Screwdriver
Tip Shown Actual Size

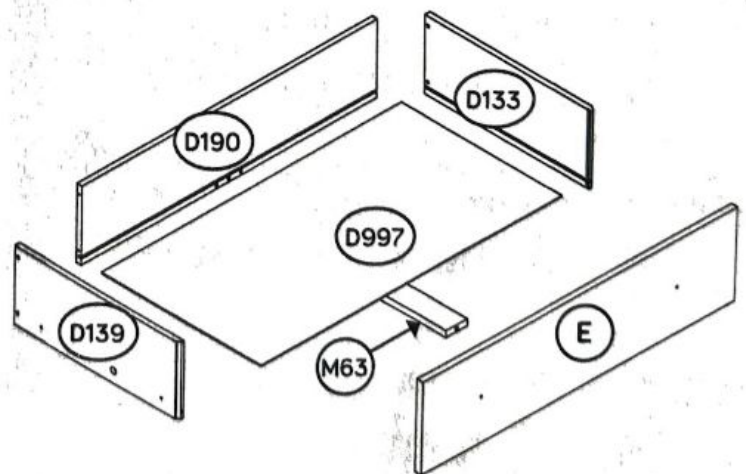
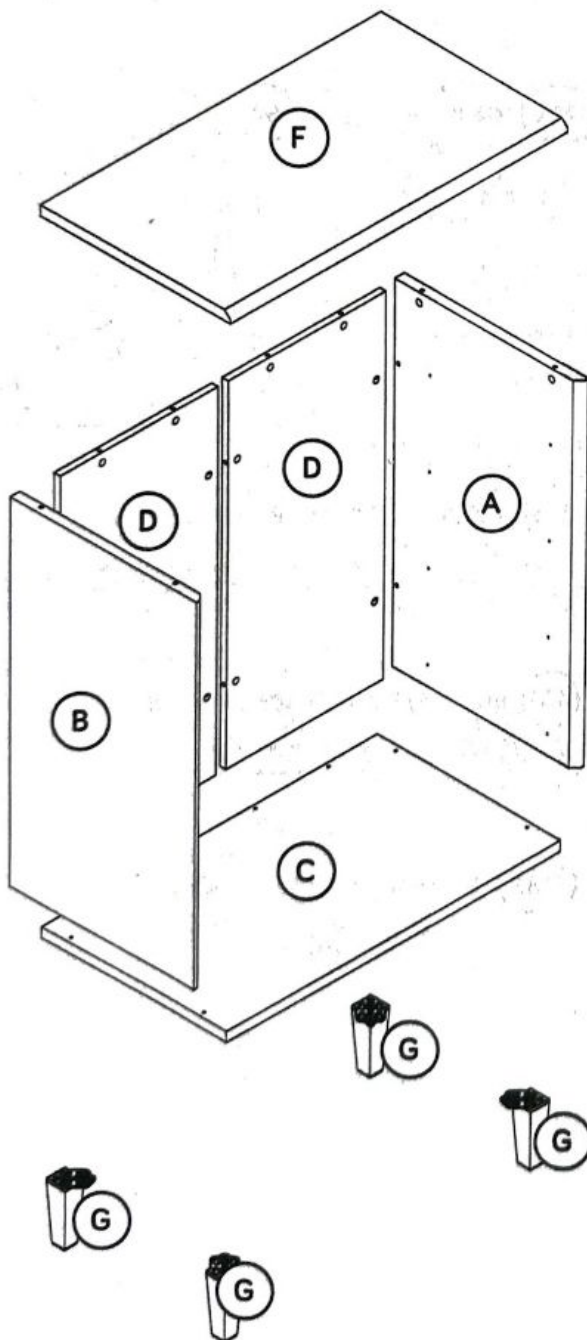
Part Identification

Now you know
our ABCs.



While not all parts are labeled, some of the parts will have a label or an inked letter on the edge to help distinguish similar parts from each other. Use this part identification to help identify similar parts.

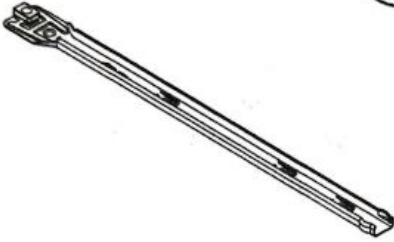
A	RIGHT END (1)	D139	LEFT DRAWER SIDE (4) 1 with label	F	TOP (1)
B	LEFT END (1)	D190	DRAWER BACK (4)	G	FOOT (4)
C	BOTTOM (1)	D997	DRAWER BOTTOM (4)	M63	DRAWER BRACE (4) (Hidden part using recycled material. Color may vary.)
D	BACK (2)	E	DRAWER FRONT (4)		
D133	RIGHT DRAWER SIDE (4)				



Hardware Identification

† Screws are shown actual size. You may receive extra hardware with your unit.

40DA UNIVERSAL CABINET RAIL - 8



40DC DRAWER RIGHT - 4



40DD DRAWER LEFT - 4



10A SLIDE CAM - 8



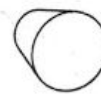
1F HIDDEN CAM - 16



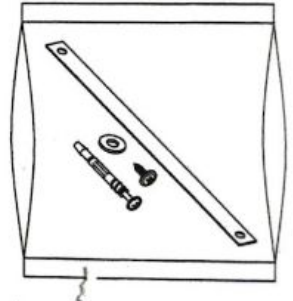
2F CAM DOWEL - 16



122K KNOB - 8



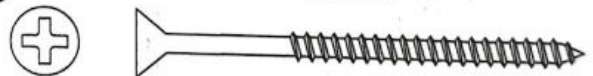
97 FURNITURE TIPPING RESTRAINT KIT - 1



3S GOLD 5/16" FLAT HEAD SCREW - 16



26S BLACK 2-1/4" FLAT HEAD SCREW - 8



30S BLACK 1-9/16" FLAT HEAD SCREW - 20



37S BLACK 7/8" MACHINE SCREW - 8



85S BLACK 3/4" PAN HEAD SCREW - 4



128S SILVER 1/2" FLAT HEAD SCREW - 16

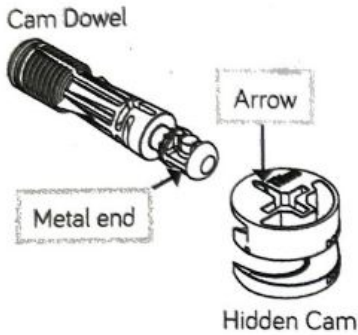


144S BLACK 15/16" SHOULDER SCREW - 16



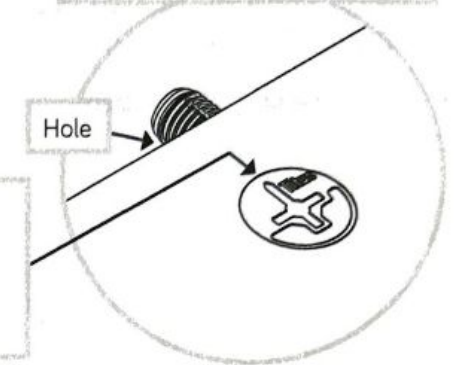
Hardware Usage Guide

HOW TO USE A HIDDEN CAM & CAM DOWEL

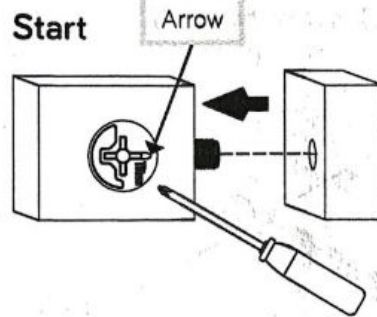


1. Push a HIDDEN CAM into the part. The arrow in the HIDDEN CAM must point toward the hole in the edge of the board.

2. Insert the metal end of the CAM DOWEL into the HIDDEN CAM.



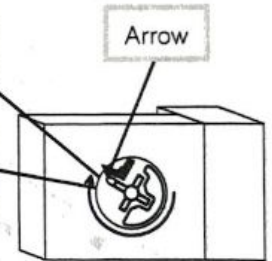
3. **Caution**
Risk of damage or injury. HIDDEN CAMS must be completely tightened. HIDDEN CAMS that are not completely tightened may loosen, and parts may separate. To completely tighten:



Tighten

Maximum 210 degrees

Minimum 190 degrees

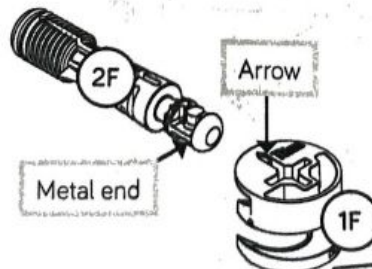


Step 1

Look for this icon. It means a video assembly tip is available at www.sauder.com/service/tips. Find the numbered video or scan the QR code.

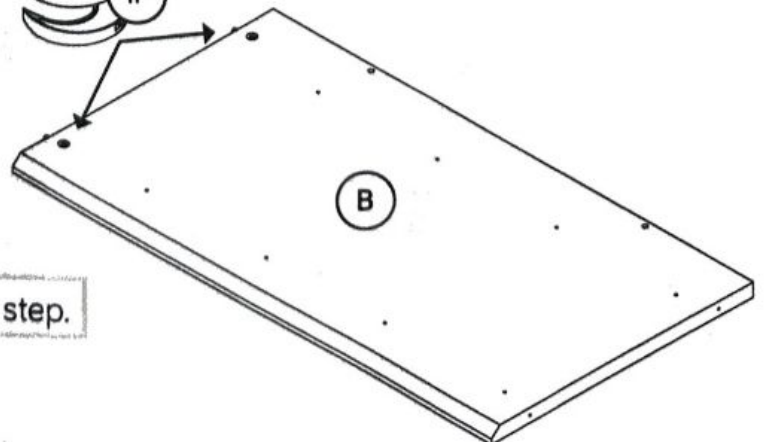


- Assemble your unit on a carpeted floor or on the empty carton to avoid scratching your unit or the floor.
- Push two HIDDEN CAMS (1F) into the LEFT END (B). Then insert the metal end of a CAM DOWEL (2F) into each HIDDEN CAM.



Meet Part (B). This component has been engineered to be lighter, stronger, faster... well ok. Not technically faster. But definitely makes for a sturdier 425267 that's easier to assemble and friendlier to the environment.

Do not tighten the HIDDEN CAMS in this step.



Step 2

6

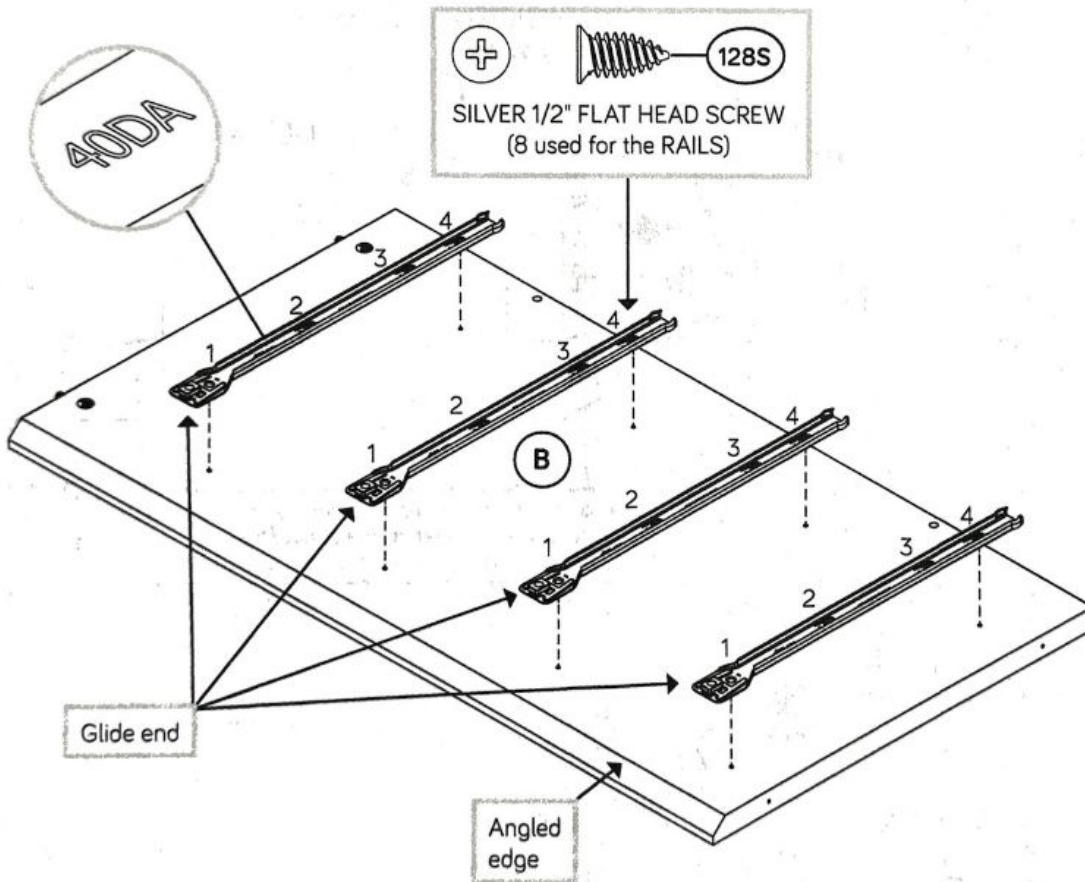


- Fasten four UNIVERSAL CABINET RAILS* (40DA) to the LEFT END (B). Use eight SILVER 1/2" FLAT HEAD SCREWS (128S) through holes #1 and #4.

*patent pending glide system



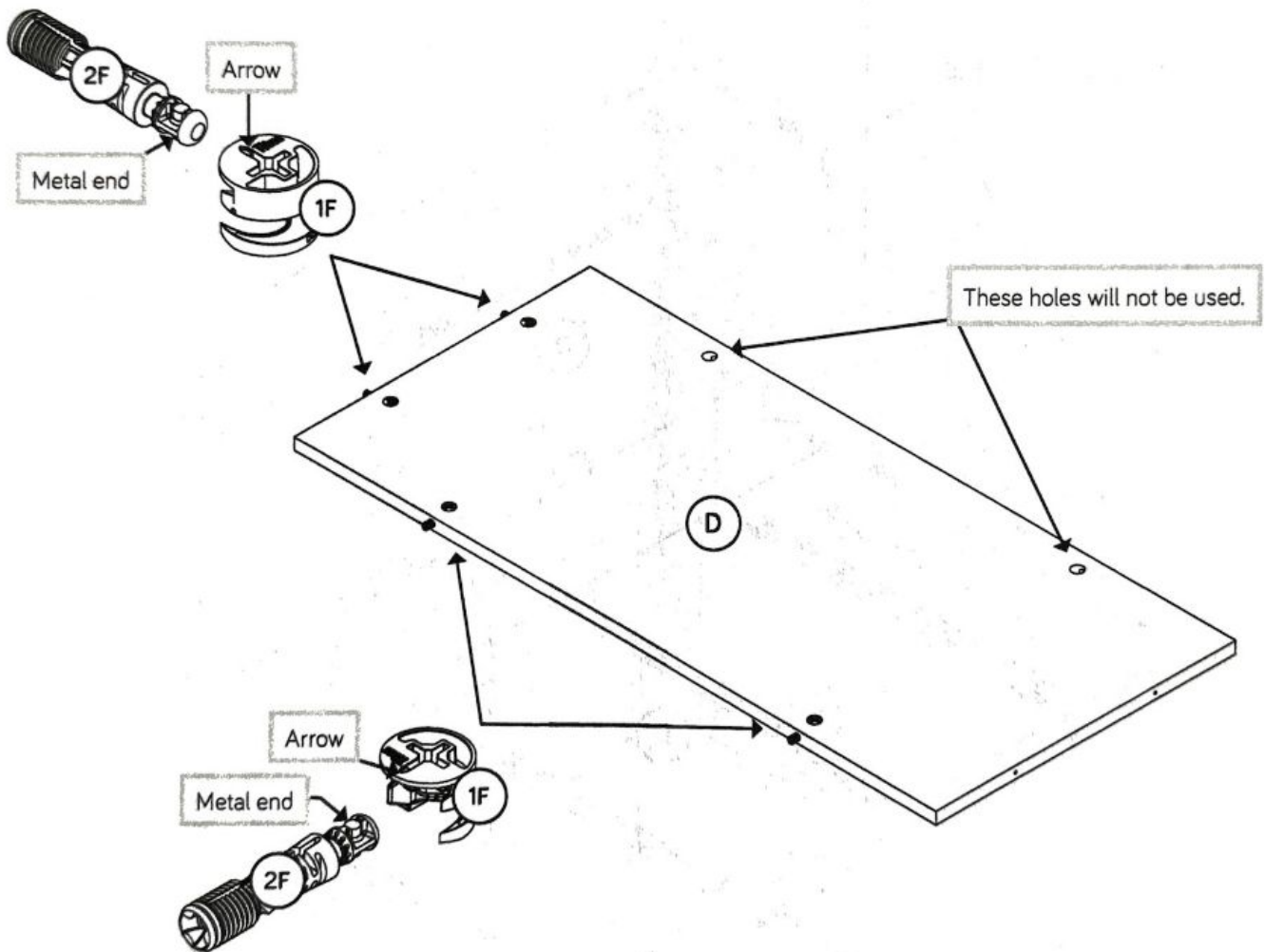
Remember:
Righty tighty.
Lefty loosey.



Step 3



- Push four HIDDEN CAMS (1F) into a BACK (D). Then insert the metal end of a CAM DOWEL (2F) into each HIDDEN CAM.

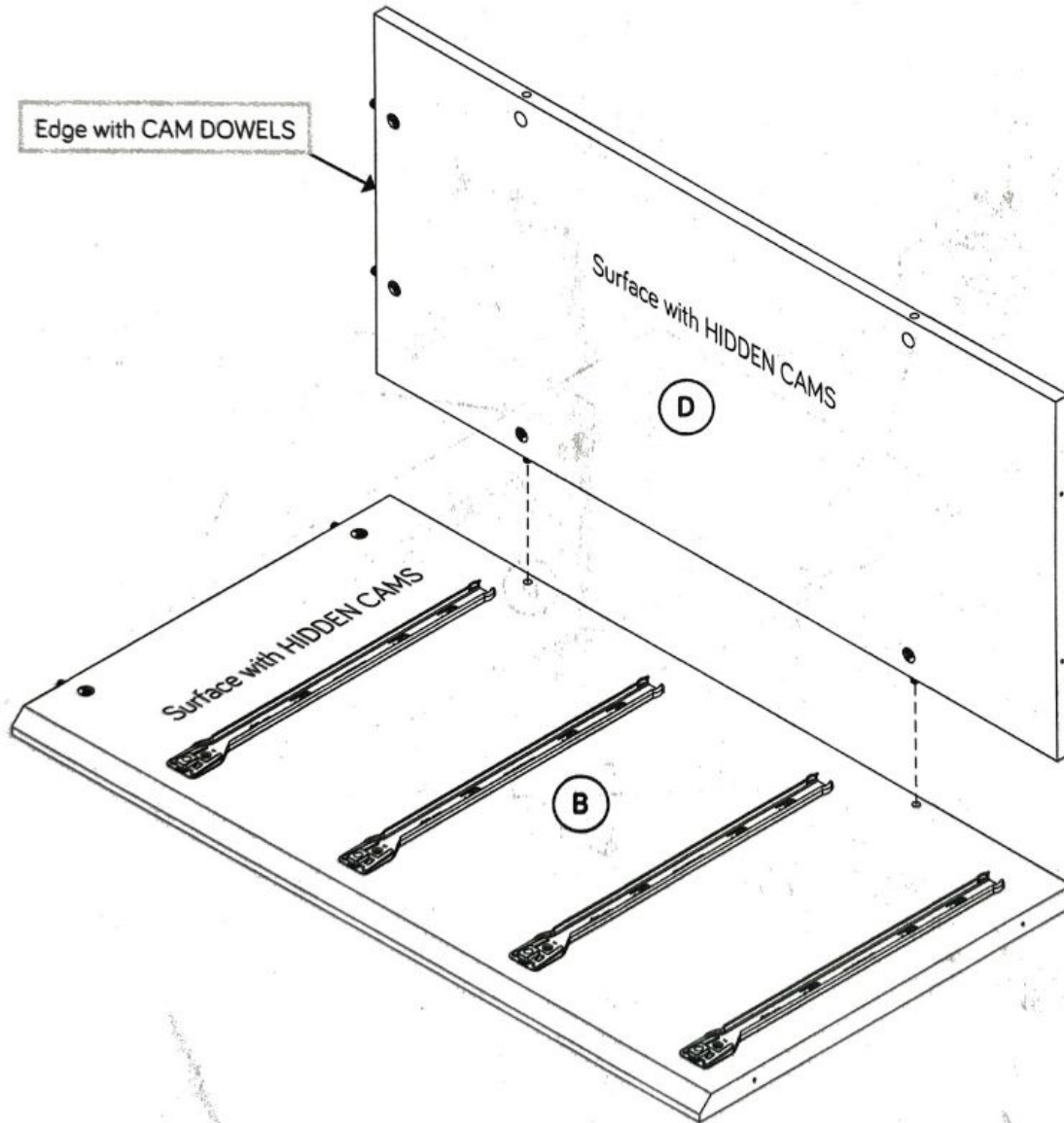


Step 4

1



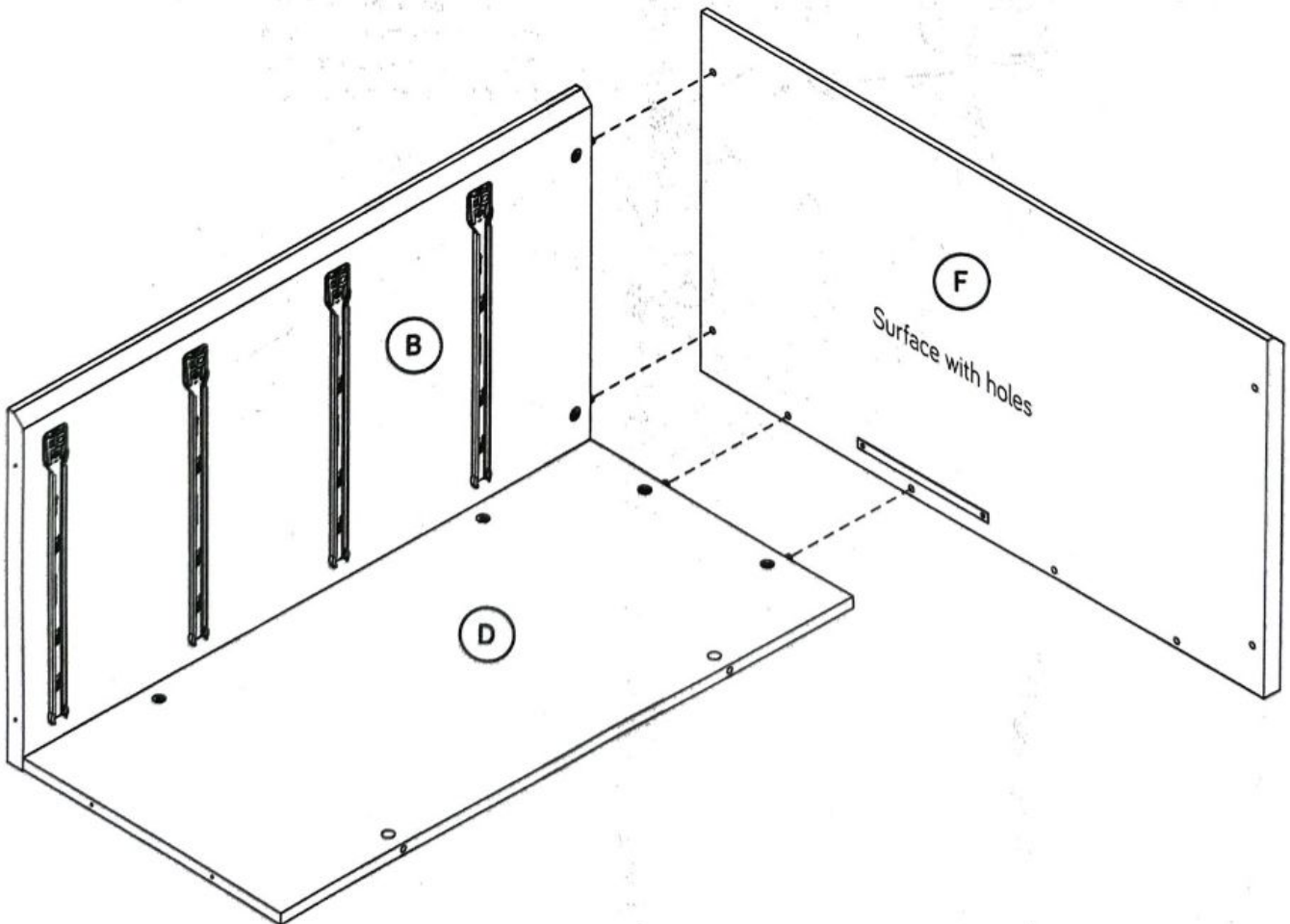
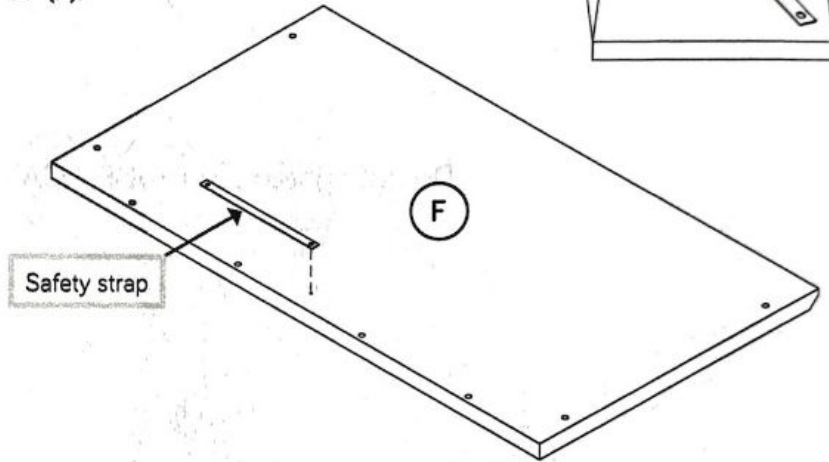
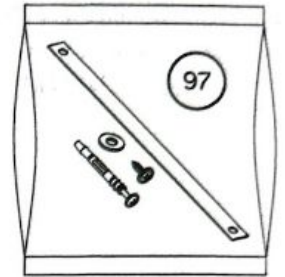
- Fasten the BACK (D) to the LEFT END (B). Tighten two HIDDEN CAMS.



Step 5



- ✚ Open the FURNITURE TIPPING RESTRAINT KIT (97) and fasten the SAFETY STRAP to the TOP (F). Use the short screw provided.
- ✚ **NOTE:** Position the SAFETY STRAP exactly as shown.
- ✚ Fasten the BACK (D) and LEFT END (B) to the TOP (F). Tighten four HIDDEN CAMS.

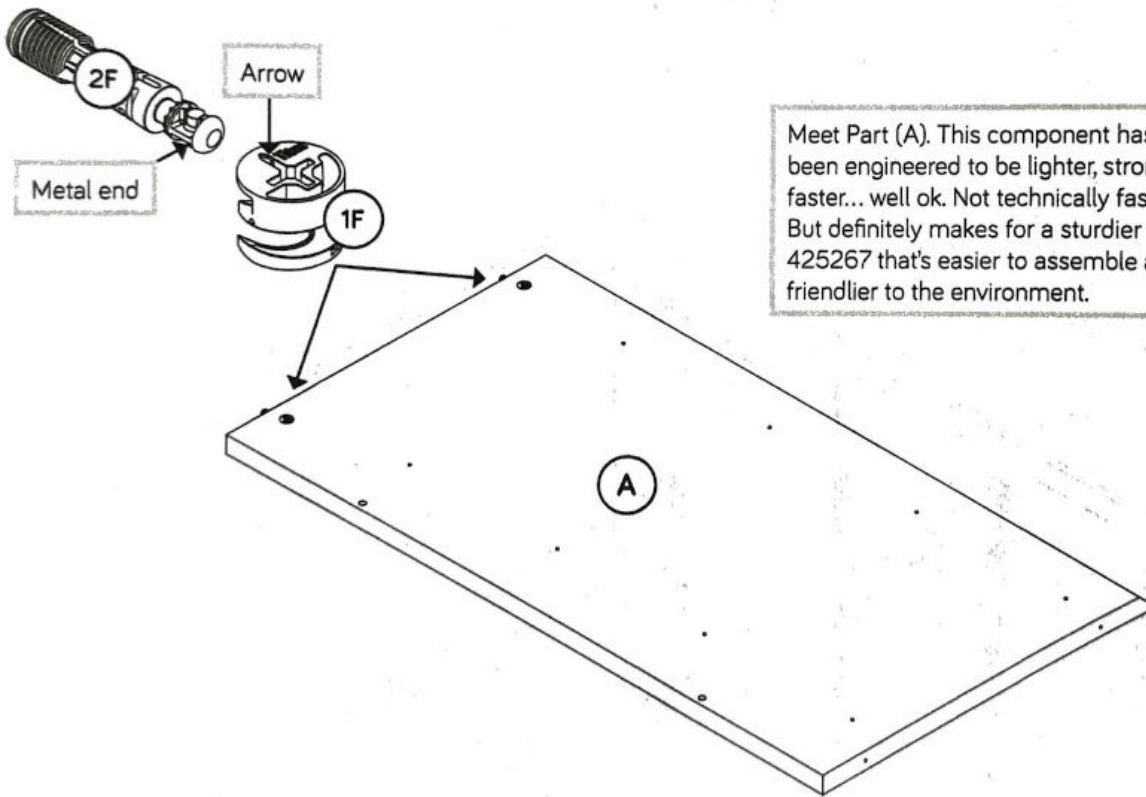


Step 6



- Push two HIDDEN CAMS (1F) into the RIGHT END (A). Then insert the metal end of a CAM DOWEL (2F) into each HIDDEN CAM.

Do not tighten the HIDDEN CAMS in this step.

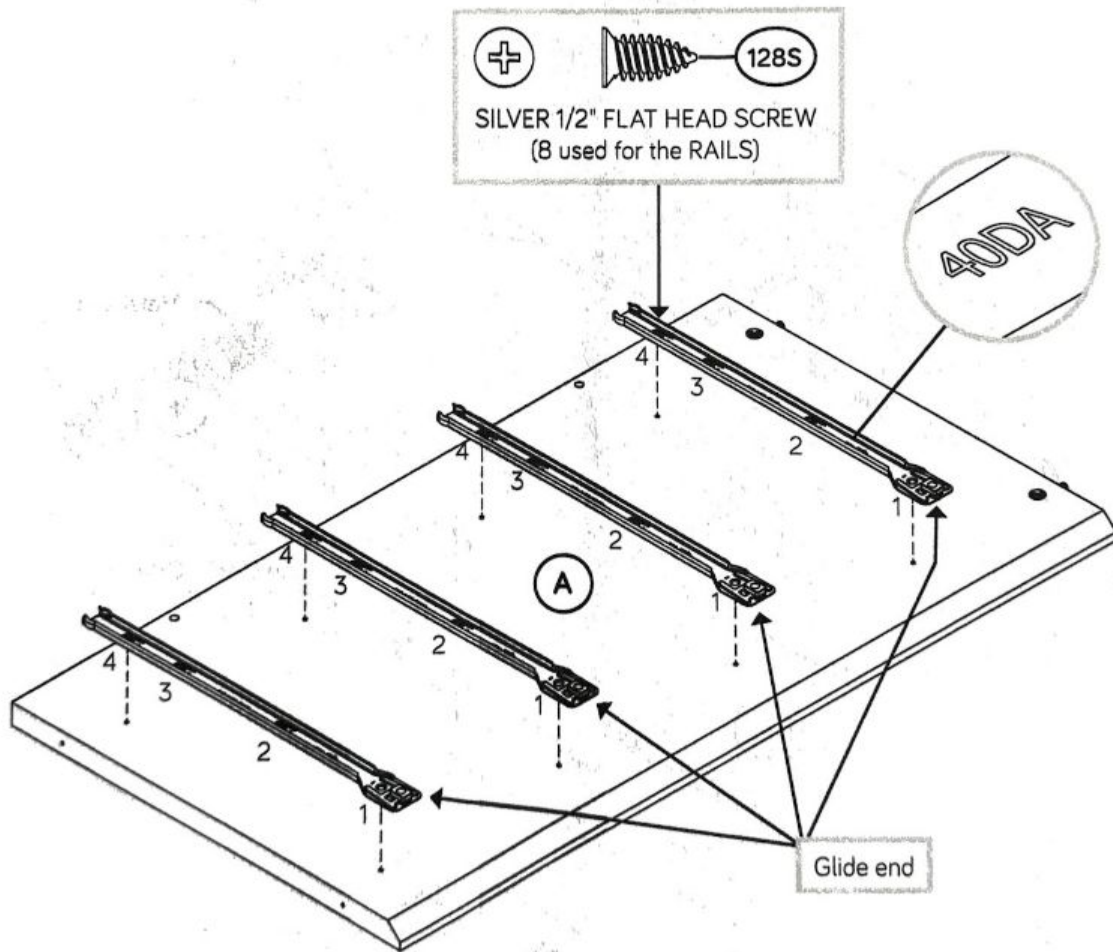


Meet Part (A). This component has been engineered to be lighter, stronger, faster... well ok. Not technically faster. But definitely makes for a sturdier 425267 that's easier to assemble and friendlier to the environment.

Step 7

- Fasten four UNIVERSAL CABINET RAILS* (40DA) to the RIGHT END (A). Use eight SILVER 1/2" FLAT HEAD SCREWS (128S) through holes #1 and #4.

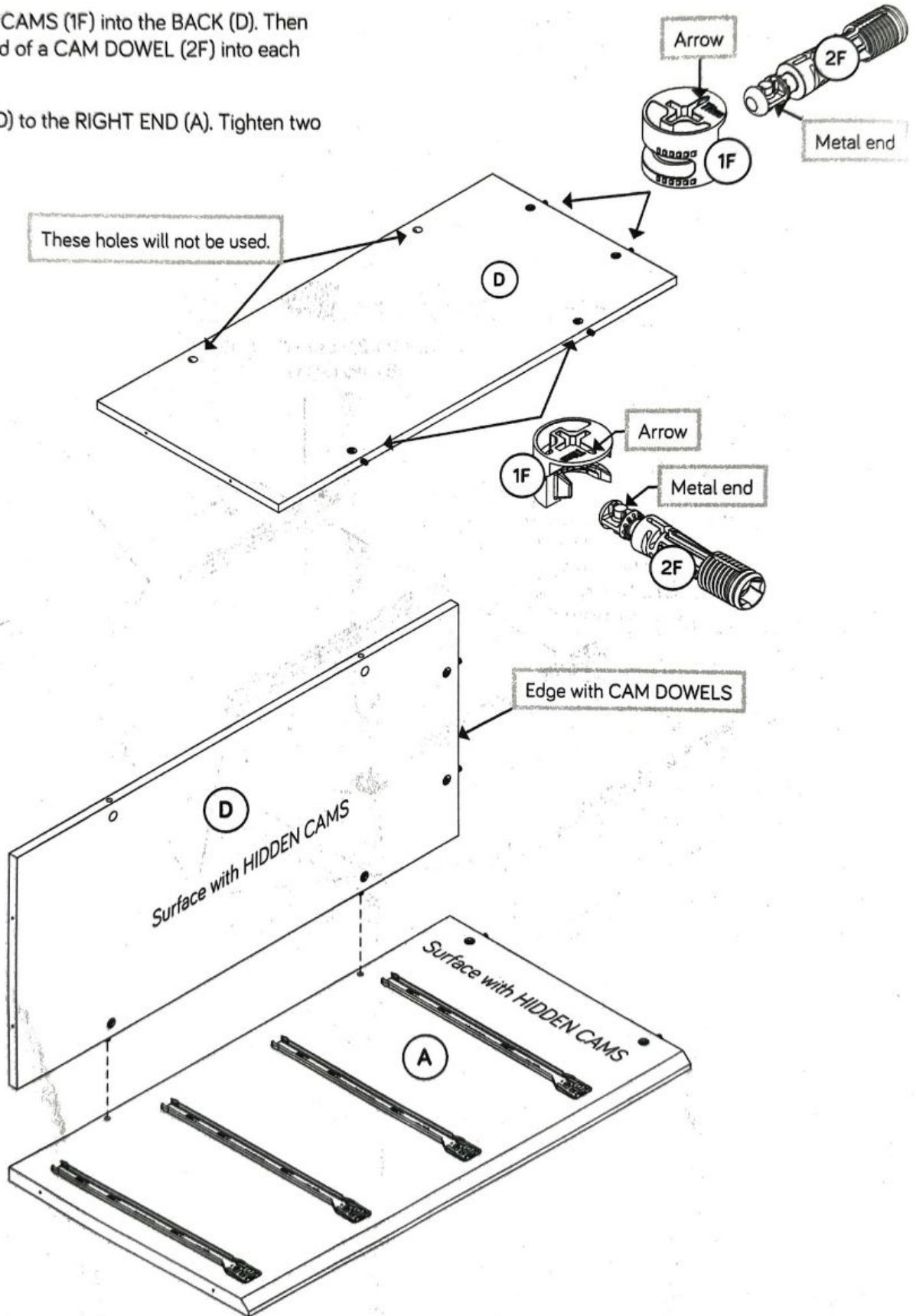
*patent pending glide system



Step 8



- Push four HIDDEN CAMS (1F) into the BACK (D). Then insert the metal end of a CAM DOWEL (2F) into each HIDDEN CAM.
- Fasten the BACK (D) to the RIGHT END (A). Tighten two HIDDEN CAMS.

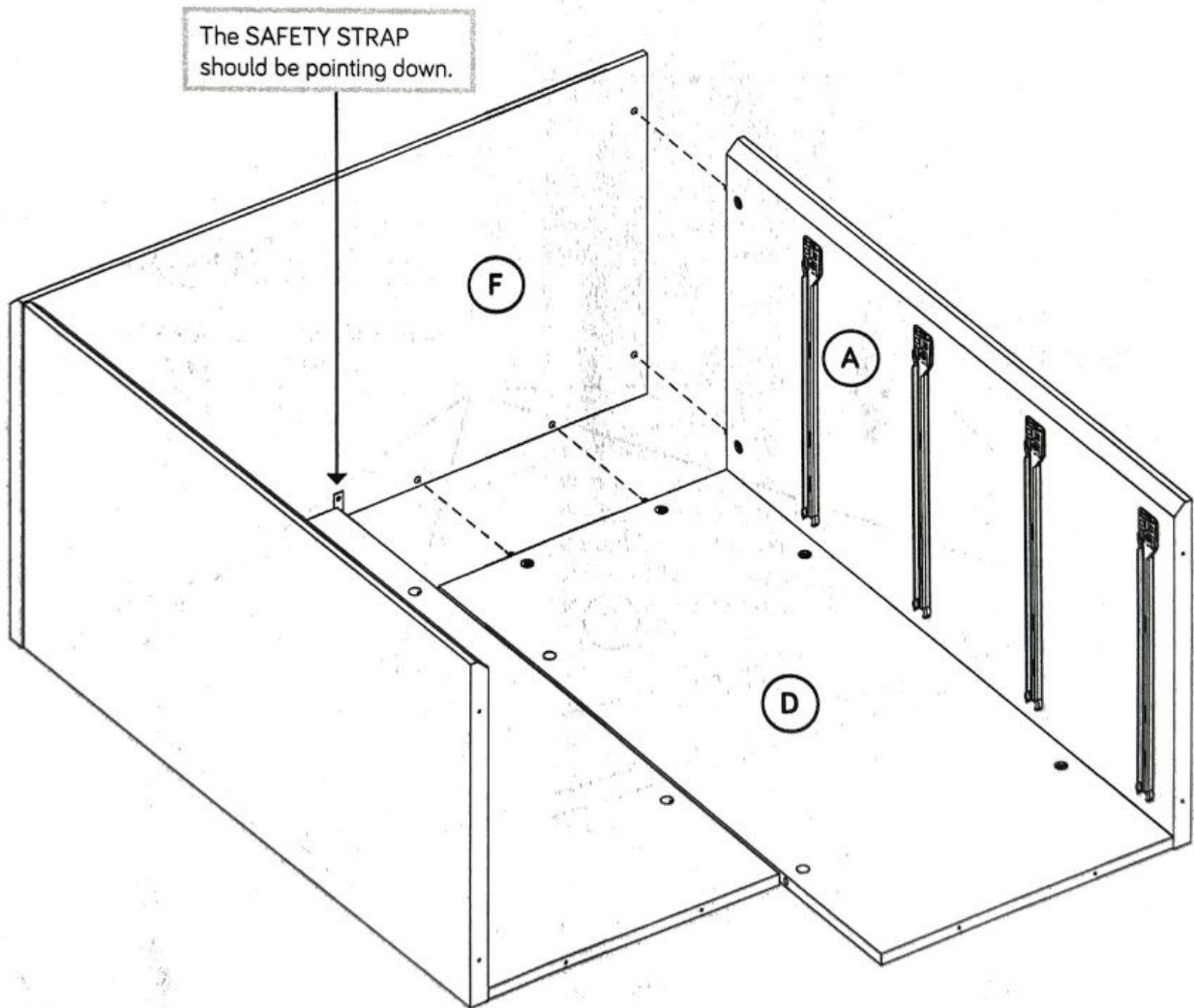


Step 9



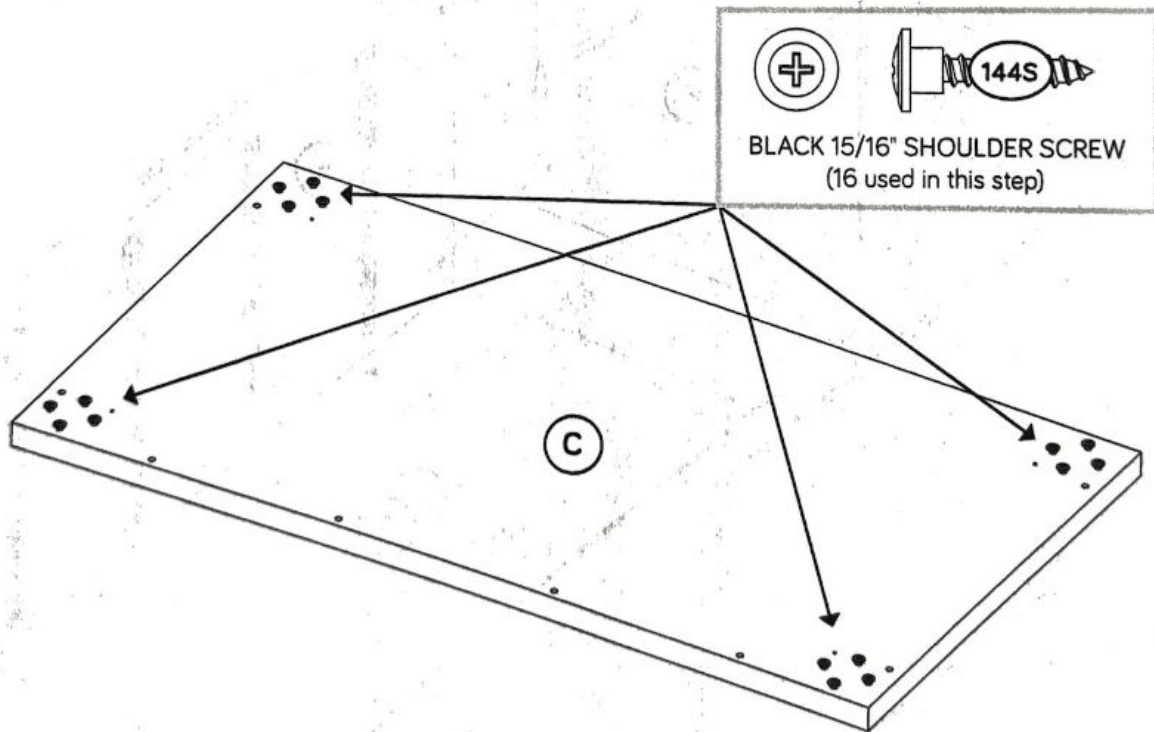
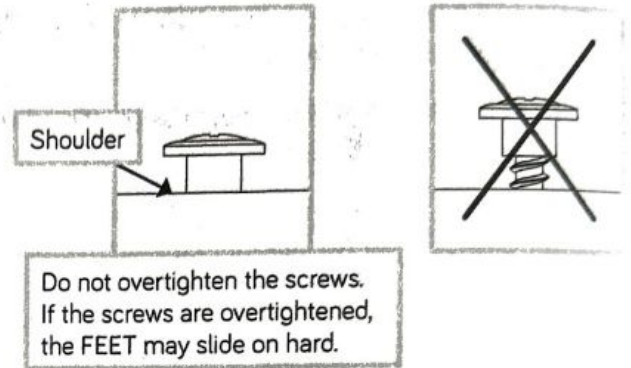
Fasten the BACK (D) and RIGHT END (A) to the TOP (F).
Tighten four HIDDEN CAMS.

NOTE: The SAFETY STRAP should be pointing down.



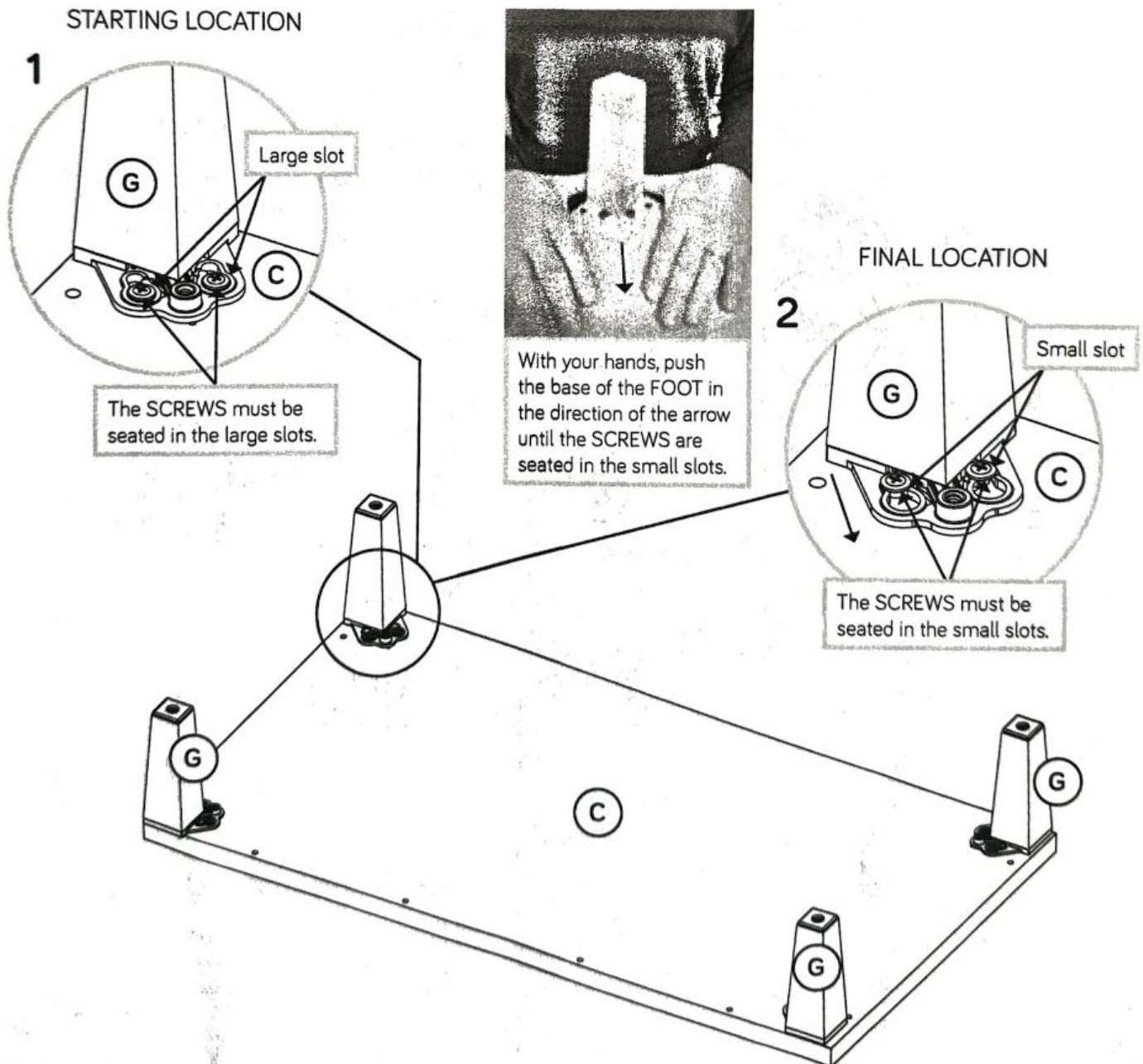
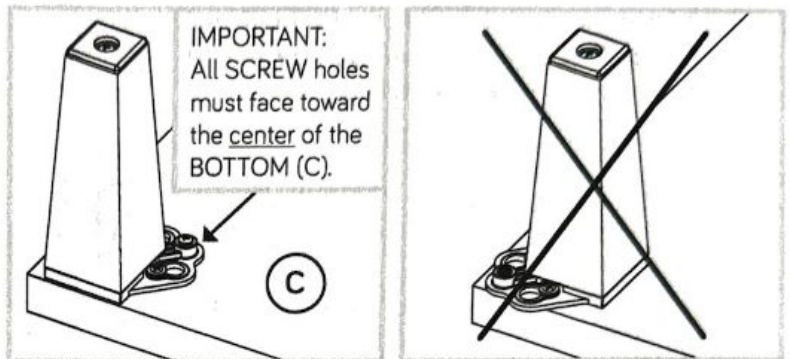
Step 10

- Turn sixteen BLACK 15/16" SHOULDER SCREWS (144S) into the BOTTOM (C) until the shoulder of the SCREWS rest on the surface of the BOTTOM.



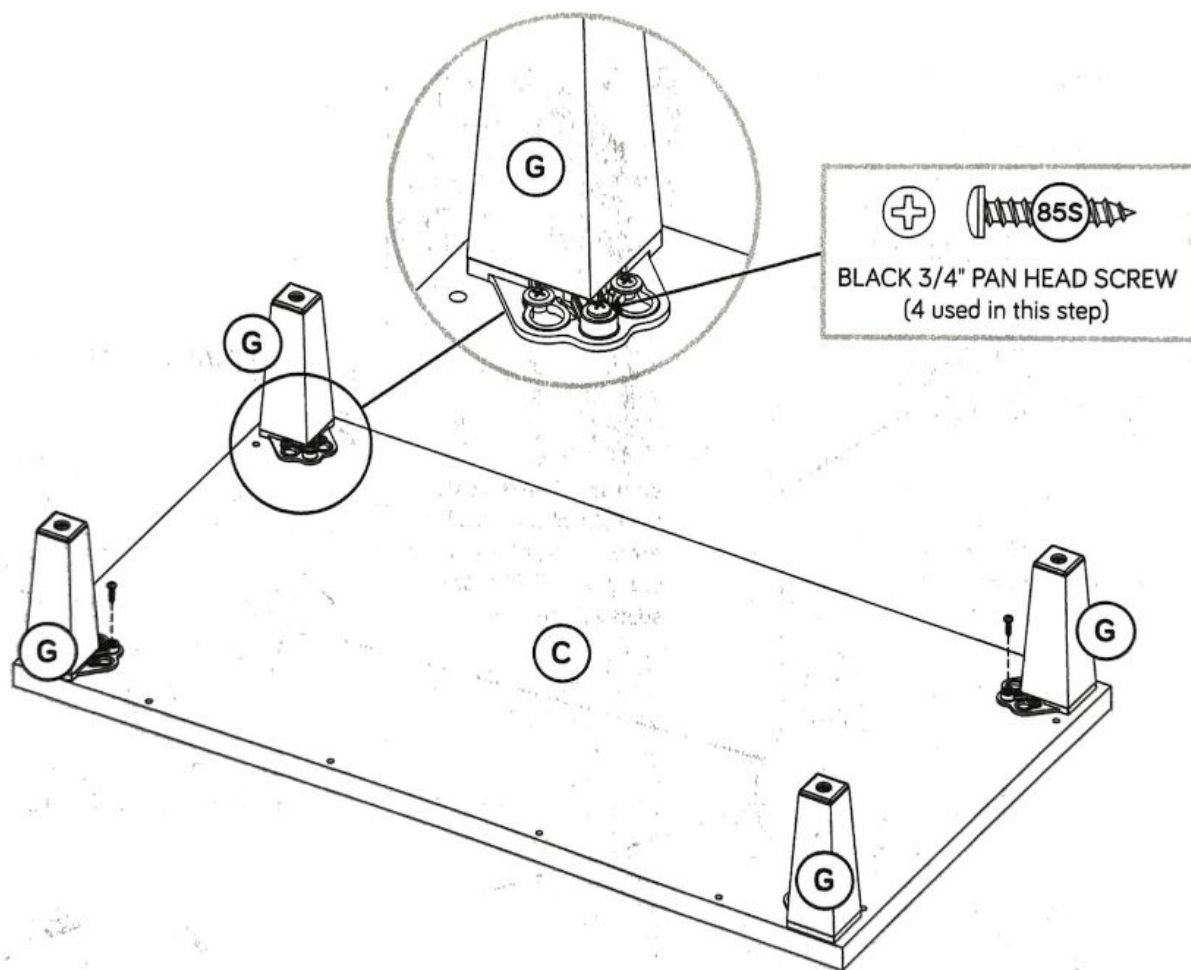
Step 11

- Center the large slots in the FOOT (G) over the head of the SCREWS in the BOTTOM (C). See diagram 1.
- With your hands, push the base of the FOOT (G) in the direction of the arrow until the SCREWS are seated in the small slots. See diagram 2.
- Tighten the SHOULDER SCREWS.
- Repeat this step for the remaining FEET (G).



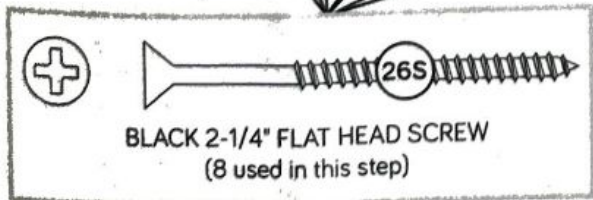
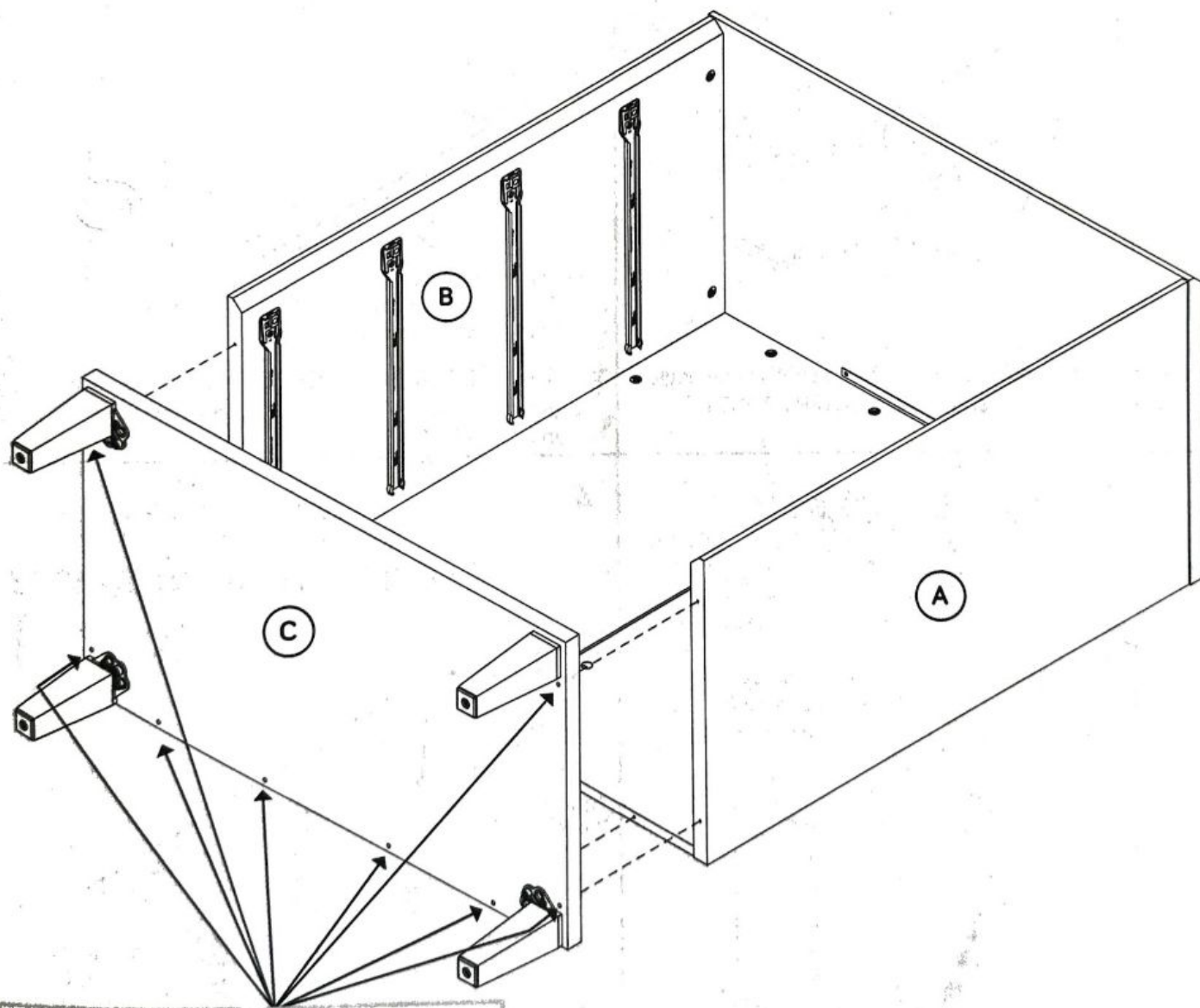
Step 12

- Finish fastening the FEET (G) to the BOTTOM (C).
Use four BLACK 3/4" PAN HEAD SCREWS (85S)
through the center hole in each FOOT.

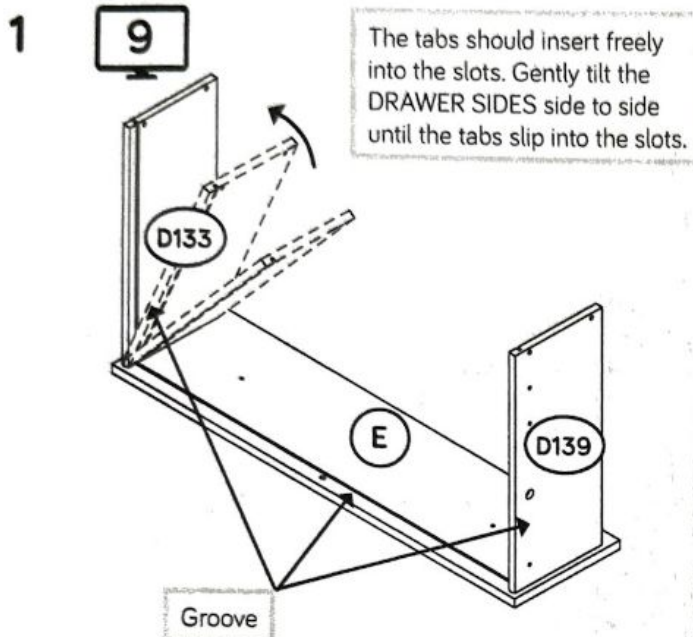


Step 13

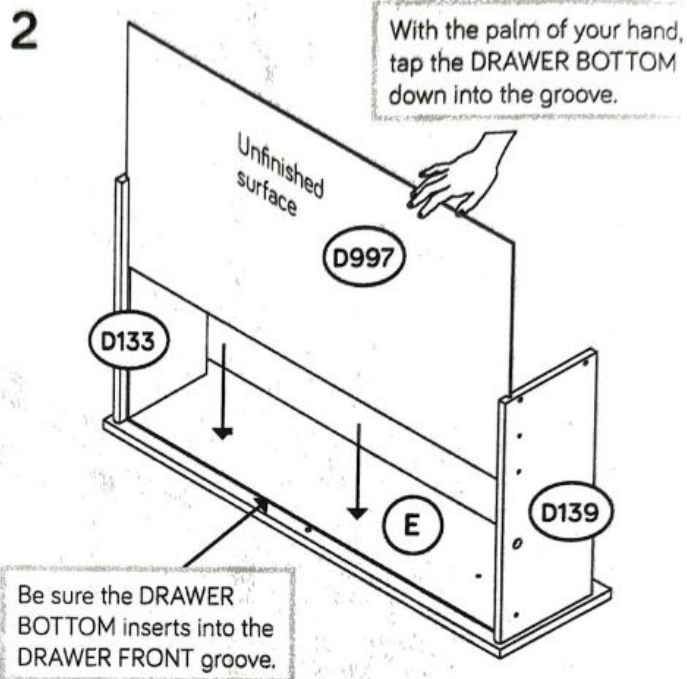
- Fasten the BOTTOM (C) to the ENDS (A and B). Use eight BLACK 2-1/4" FLAT HEAD SCREWS (26S).



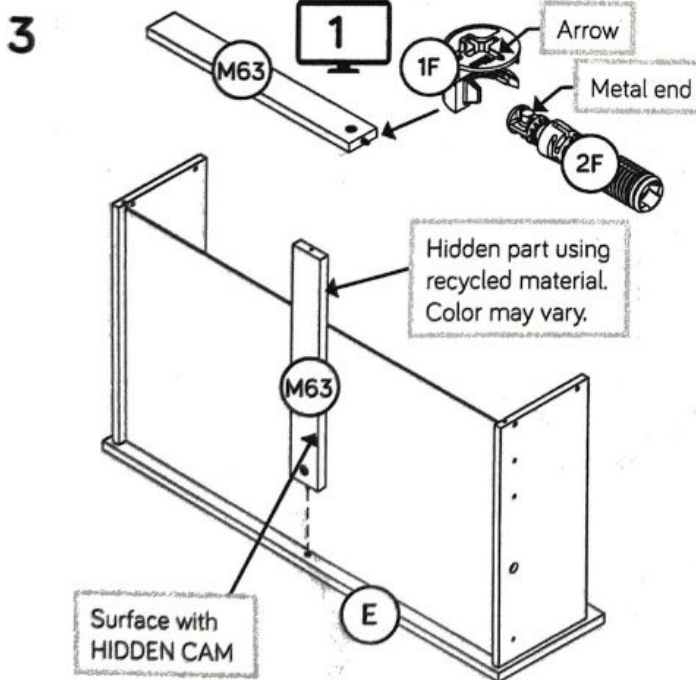
Step 14



✦ Insert the DRAWER SIDES (D133 and D139) at an angle into the slot at each end of the DRAWER FRONT (E).

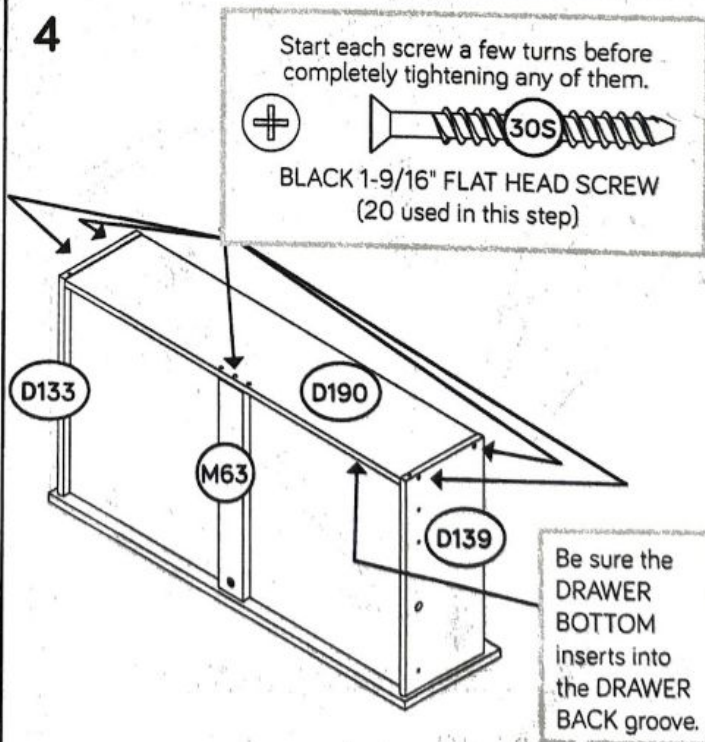


✦ Slide the DRAWER BOTTOM (D997) into the grooves in the DRAWER SIDES (D133 and D139) and DRAWER FRONT (E).



✦ Push a HIDDEN CAM (1F) into the DRAWER BRACE (M63). Then insert the metal end of a CAM DOWEL (2F) into the HIDDEN CAM.

✦ Fasten the DRAWER BRACE (M63) to the DRAWER FRONT (E). Tighten one HIDDEN CAM.



✦ Fasten the DRAWER BACK (D190) to the DRAWER SIDES (D133 and D139) and DRAWER BRACE (M63). Use five BLACK 1-9/16" FLAT HEAD SCREWS (30S).

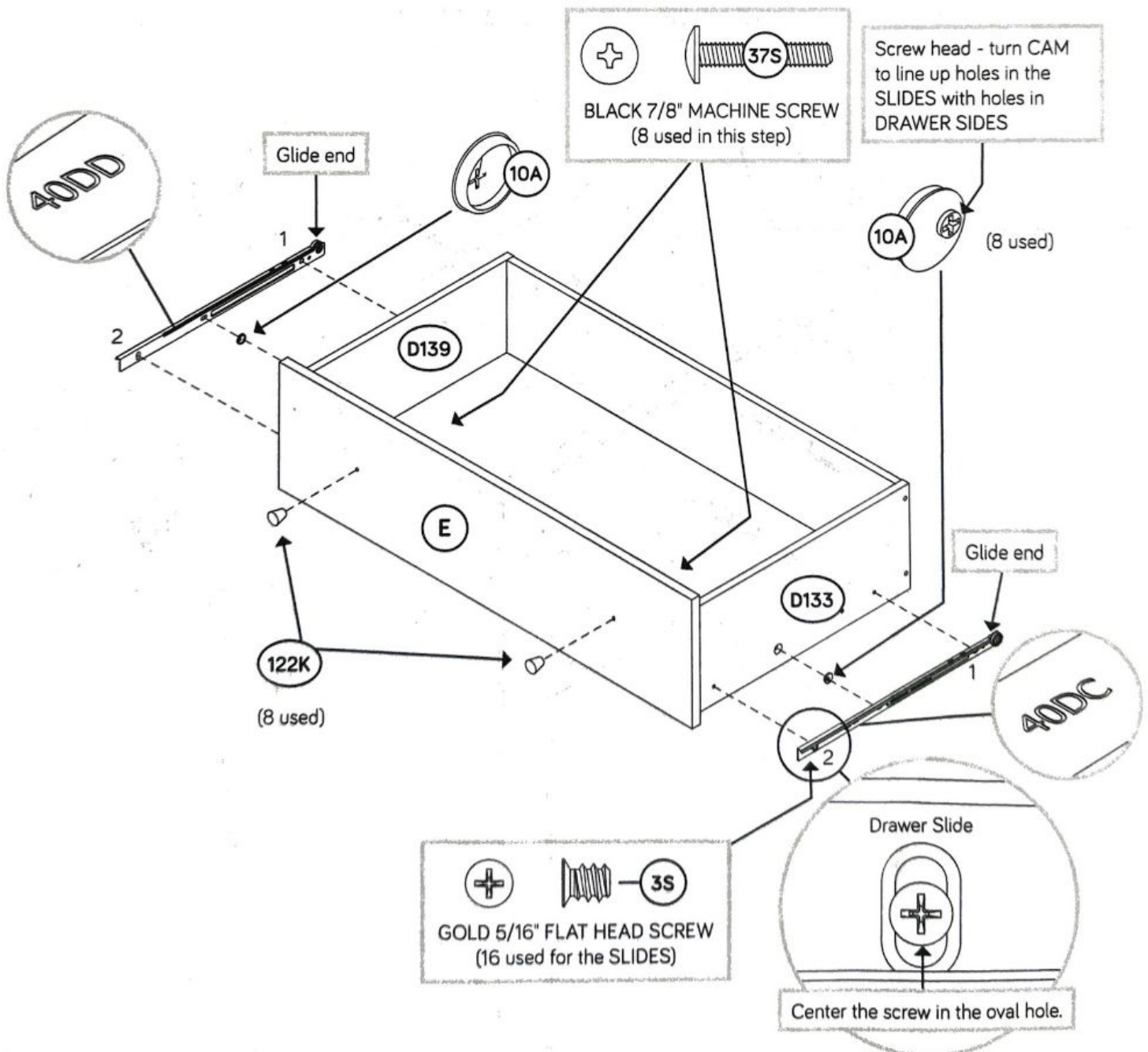
✦ Repeat this step for the other drawers.

Step 15

6



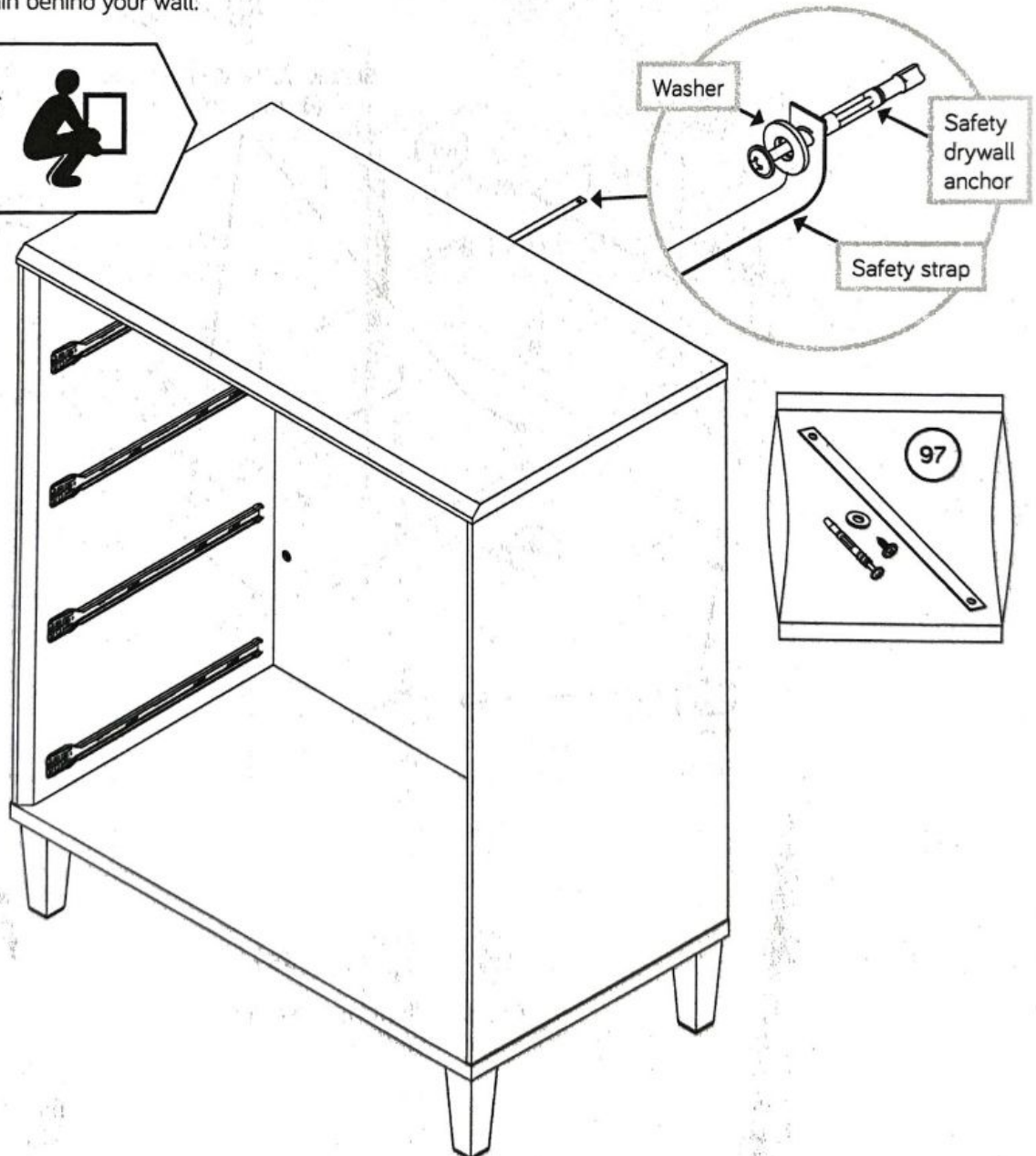
- ✦ Insert a SLIDE CAM (10A) into the DRAWER SIDES (D133 and D139).
- ✦ Fasten a DRAWER RIGHT (40DC) to the RIGHT DRAWER SIDE (D133) and a DRAWER LEFT (40DD) to the LEFT DRAWER SIDE (D139). Use four GOLD 5/16" FLAT HEAD SCREWS (3S) through holes #1 and #2.
- ✦ **NOTE:** The screw head in the CAM must be visible through the slotted hole in the SLIDE.
- ✦ **NOTE:** The glides are not intended to rotate.
- ✦ Fasten two KNOBS (122K) to a DRAWER FRONT (E). Use two BLACK 7/8" MACHINE SCREWS (37S).
- ✦ Repeat this step for the other drawers.



Step 16

- ✦ Carefully stand your unit upright in its final location. We recommend using the SAFETY STRAP for added stability.
- ✦ **NOTE:** Do not turn the SAFETY DRYWALL ANCHOR into a wall stud. If you prefer to fasten the SAFETY STRAP to a wall stud, go to your local hardware store for proper hardware.
- ✦ **INSTALLATION INSTRUCTIONS:**
 1. Insert the SAFETY DRYWALL ANCHOR through the WASHER and the end of the SAFETY STRAP.
 2. Using a Phillips screwdriver or a hand drill, press the screw slightly onto the drywall just below the top surface of your unit so the SAFETY STRAP will not be visible.
 3. Apply pressure; turn the screw until a pilot hole is made and the nylon sheath slips through.
 4. Turn the screw until it is flush against the wall and you feel a firm resistance.
 5. Continue to turn until the screw starts spinning freely.
- ✦ **NOTE:** Before moving your unit to a different location, unscrew the SAFETY DRYWALL ANCHOR from your wall. The nylon sheath will remain behind your wall.

Pro Tip: Lift with your legs. And, you know, your arms.



Step 17

To insert a drawer into your unit, tip the front of the drawer down and drop the glides on the drawer behind the glides on the unit. Lift the front of the drawer up and slide it into the unit.

⚠ WARNING



Children have died from furniture tipover. To reduce the risk of furniture tipover:

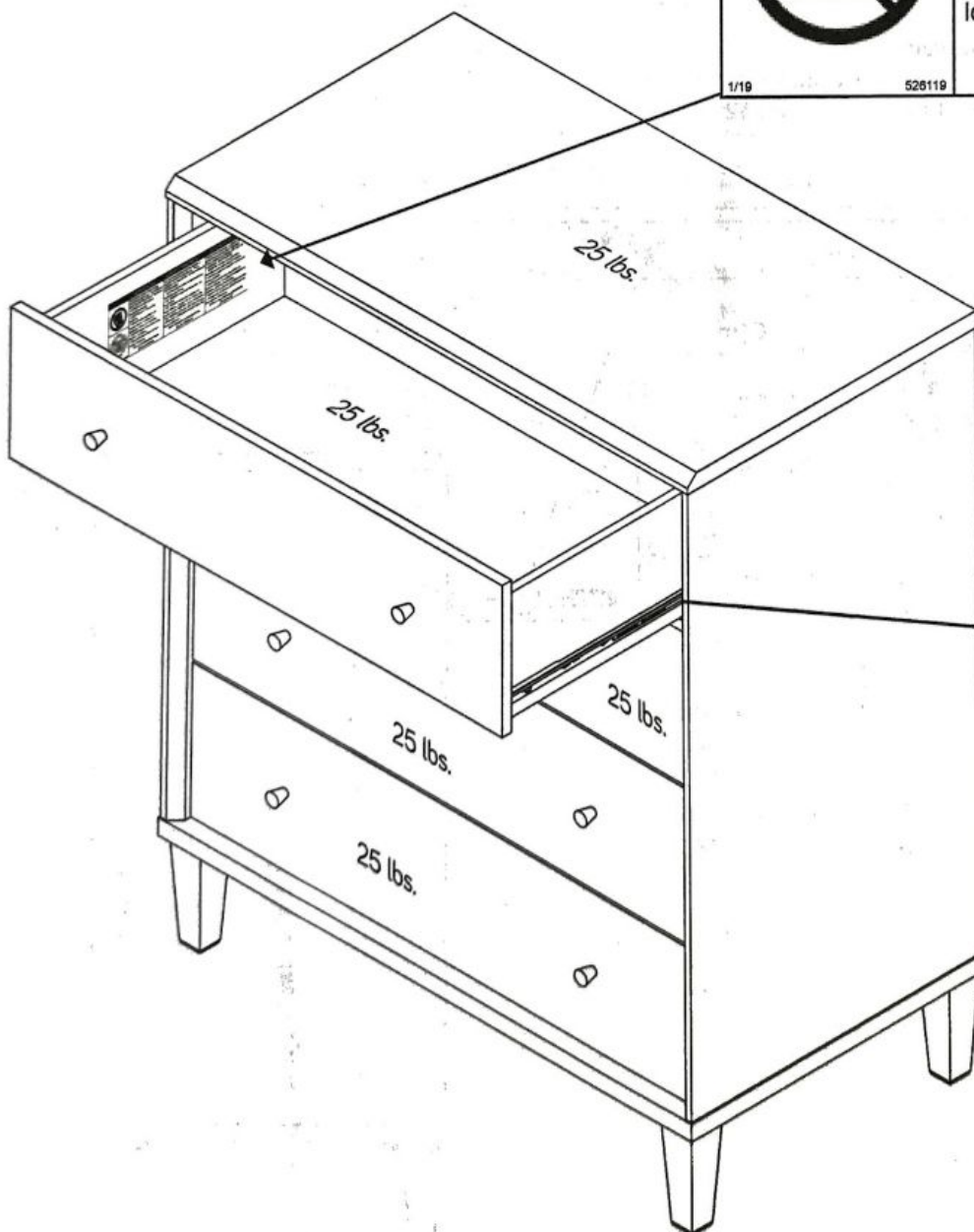
- ALWAYS install tipover restraint provided.
- NEVER put a TV on this product.
- NEVER allow children to stand, climb, or hang on drawers, doors, or shelves.
- NEVER open more than one drawer at a time.
- Place heaviest items in the lowest drawers.



*This is a permanent label.
Do not remove!*

1/19

526119



Place the glide on the SLIDE behind the glide on the RAIL.

