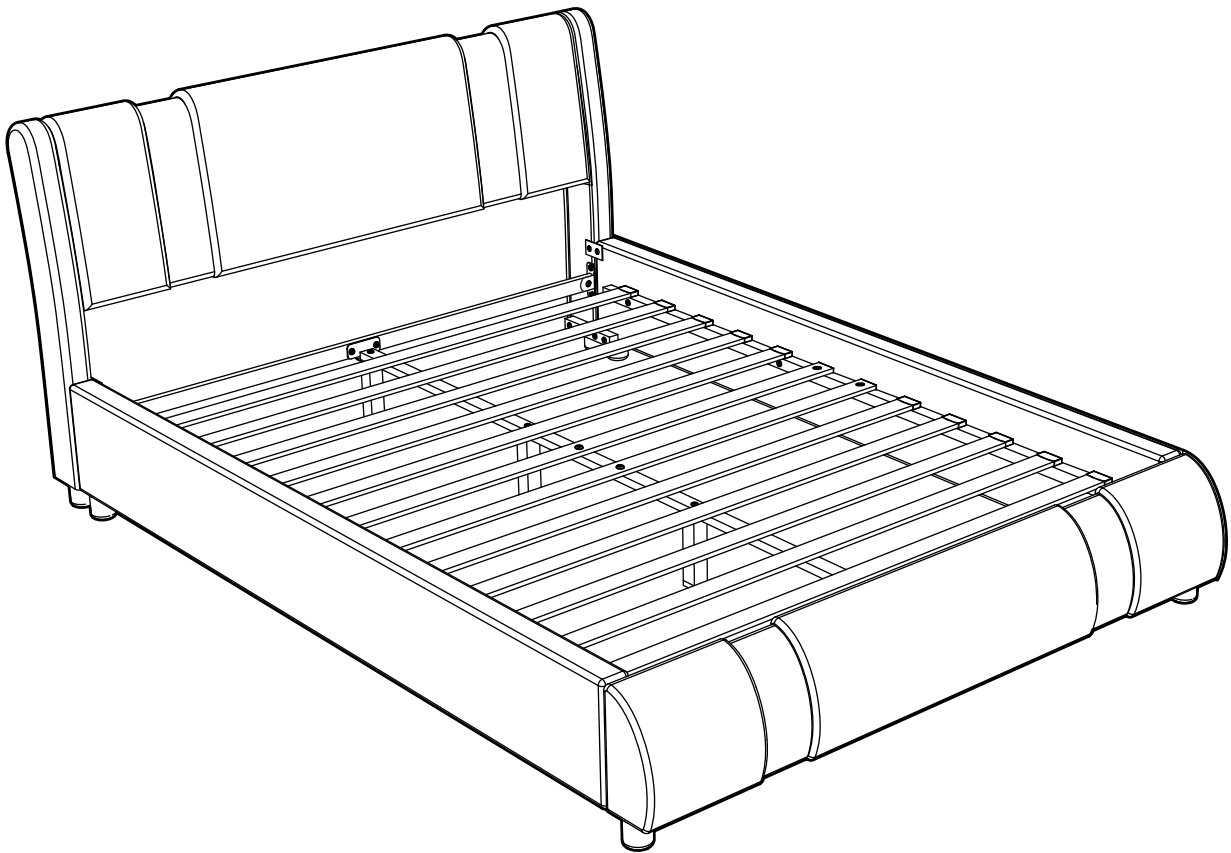


PLATFORM BED

ORIGINAL INSTRUCTION MANUAL

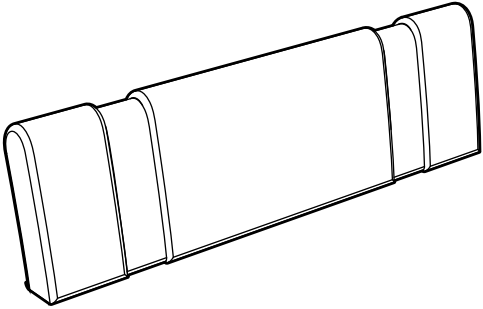
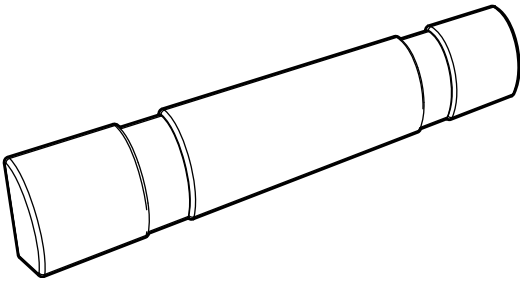
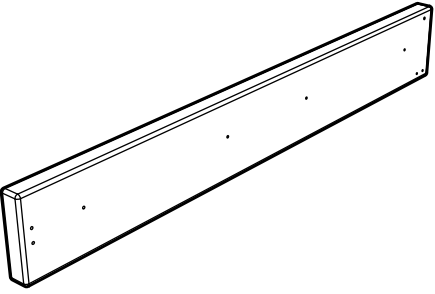
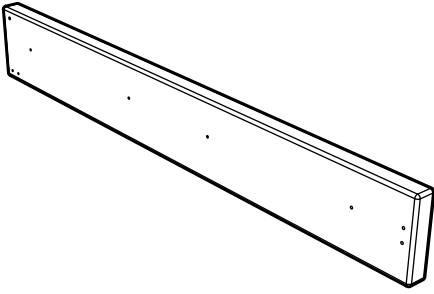
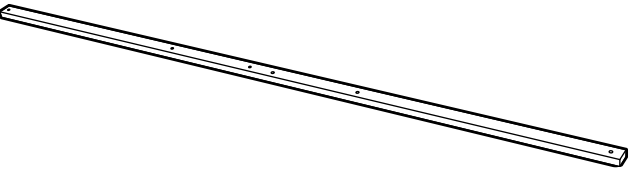
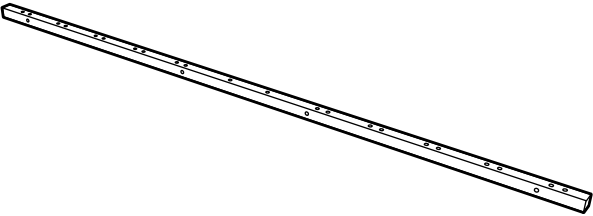
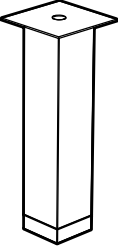
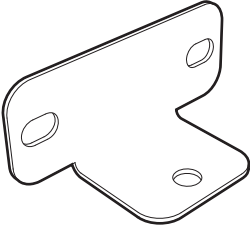
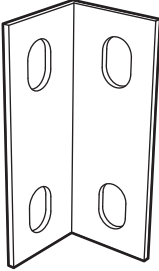
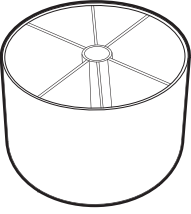
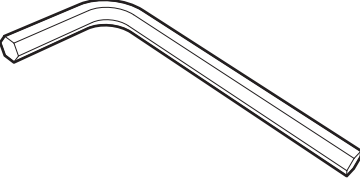



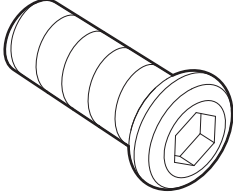
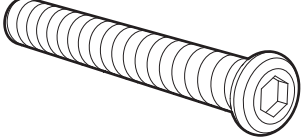

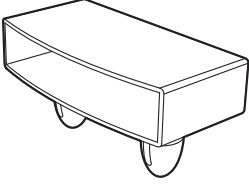
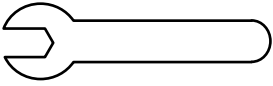
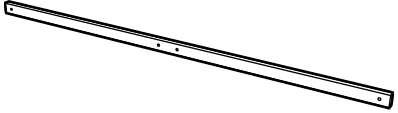
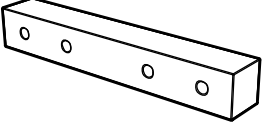
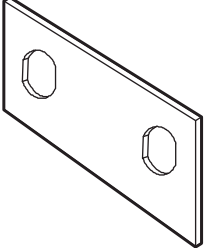
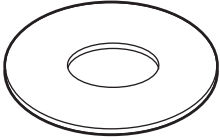
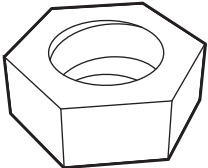
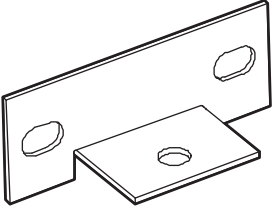
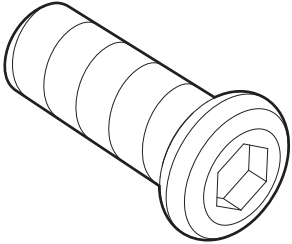
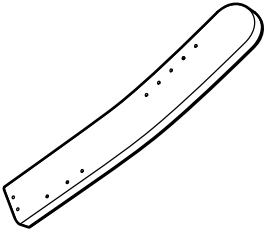
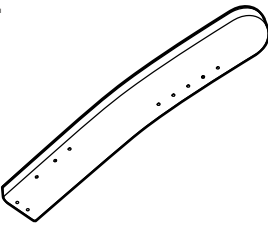
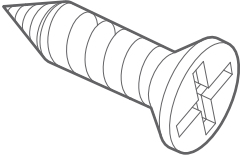
Attention: The Bed Comes In Two Separate Boxes(A&B).
Please be patient to take a little time to wait another box.

DEAR CUSTOMER,

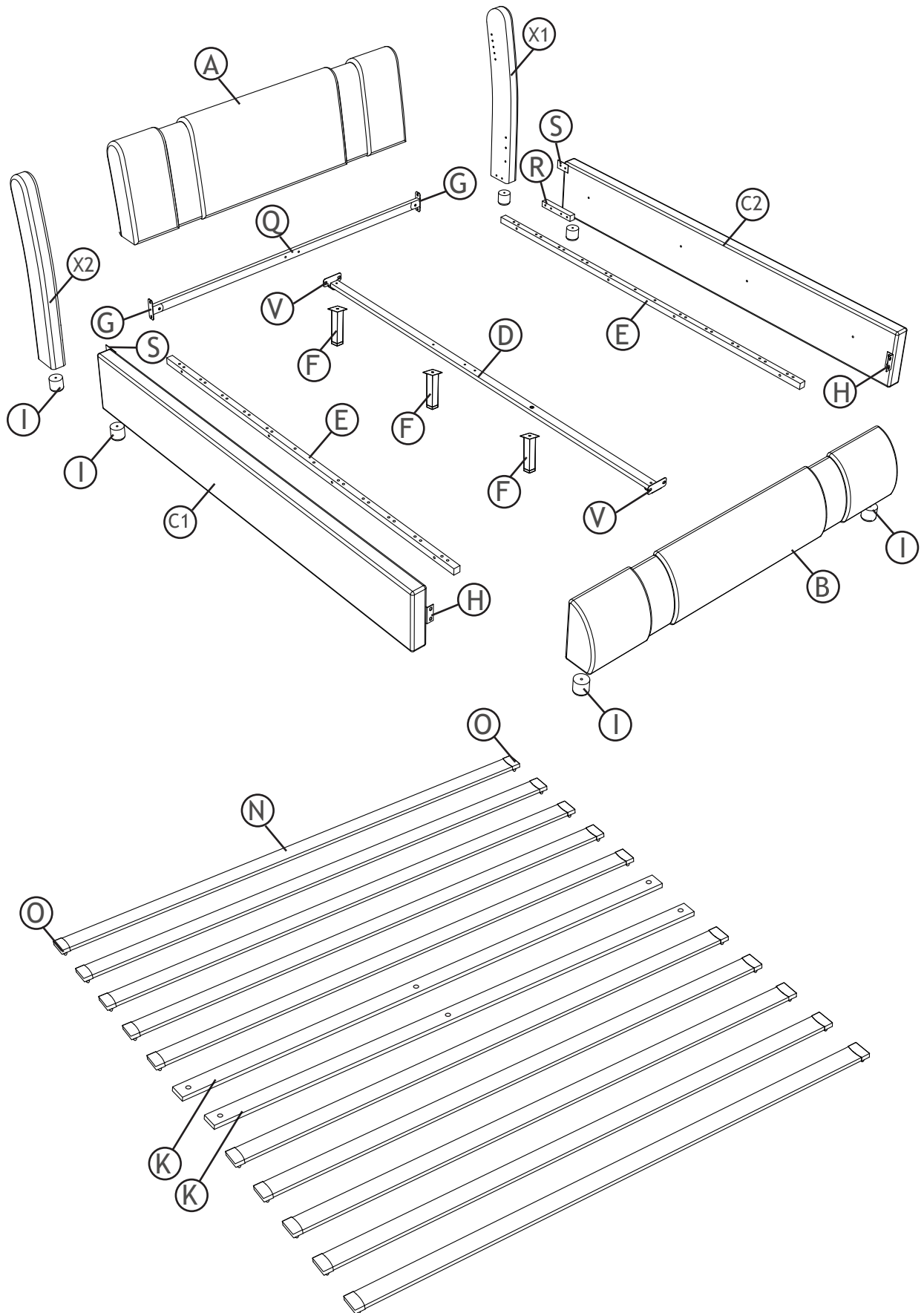
Thank you for choosing our product. Please read this manual carefully before assembling or using the product, to avoid damage caused by improper use. If the product is passed on to third parties, this manual has to be passed on along with the product. For any question don't hesitate to contact us.

PARTS LIST

<p>A</p>  <p>1×</p>	<p>B</p>  <p>1×</p>	
<p>C1</p>  <p>1×</p>	<p>C2</p>  <p>1×</p>	
<p>D</p>  <p>1×</p>	<p>E</p>  <p>2×</p>	
<p>F</p>  <p>16cm</p> <p>3×</p>	<p>G</p>  <p>2×</p>	<p>H</p>  <p>6×</p>
<p>I</p>  <p>2.5CM</p> <p>6×</p>	<p>J</p>  <p>1×</p>	<p>K</p>  <p>2×</p>

<p>L</p>  <p>M8×20</p>	<p>34×</p> <p>M</p>  <p>M8×50</p>	<p>25×</p> <p>N</p>  <p>10×</p>
<p>O</p>  <p>20×</p>	<p>P</p>  <p>1×</p>	<p>Q</p>  <p>1×</p>
<p>R</p>  <p>2×</p>	<p>S</p>  <p>2×</p>	<p>T</p>  <p>2×</p>
<p>U</p>  <p>7×</p>	<p>V</p>  <p>2×</p>	<p>W</p>  <p>M8×35</p> <p>7×</p>
<p>X1</p>  <p>Left side</p> <p>1×</p>	<p>X2</p>  <p>Right side</p> <p>1×</p>	<p>e</p>  <p>Φ3.5×30</p> <p>4×</p>

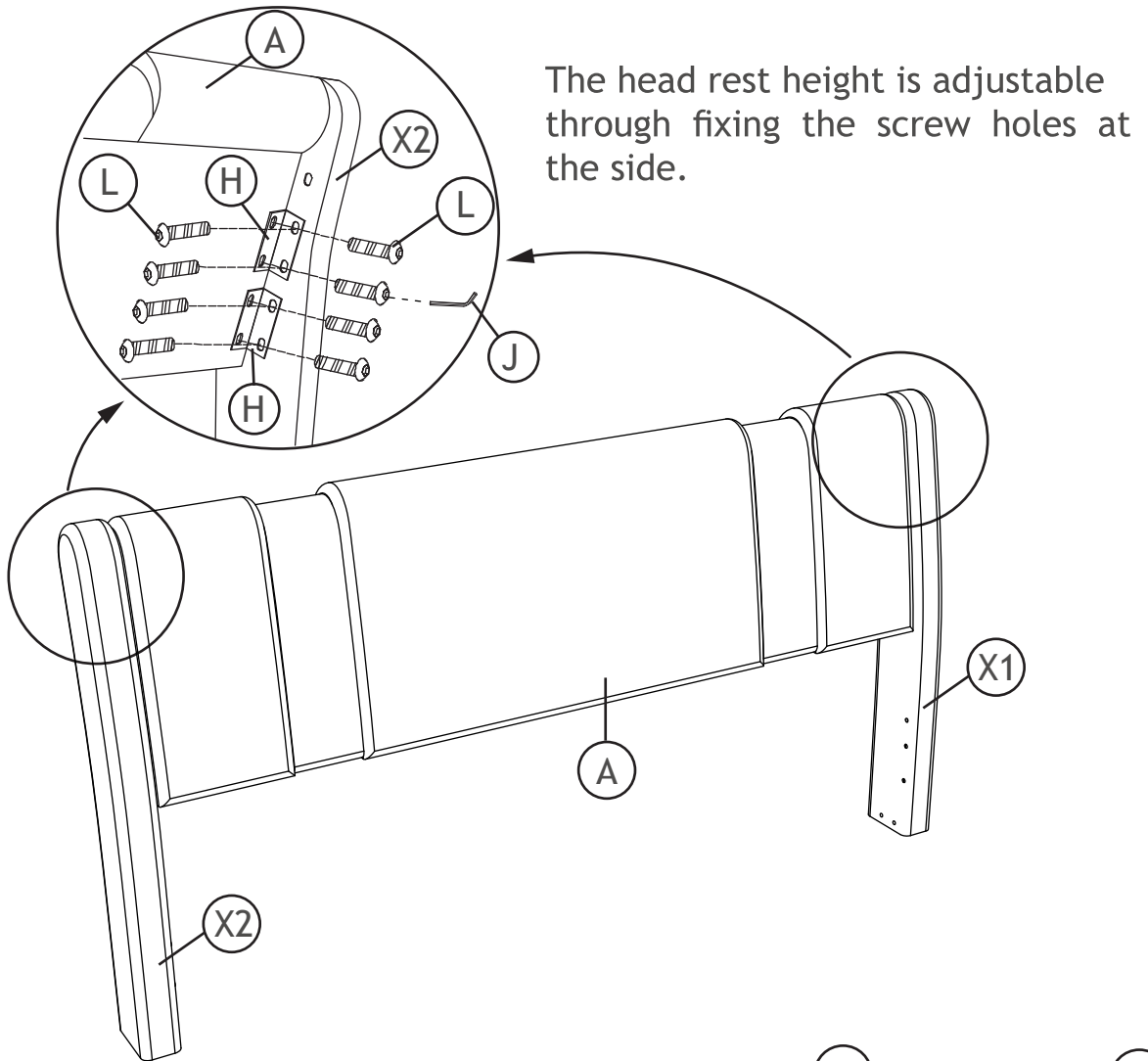
EXPLODED VIEW



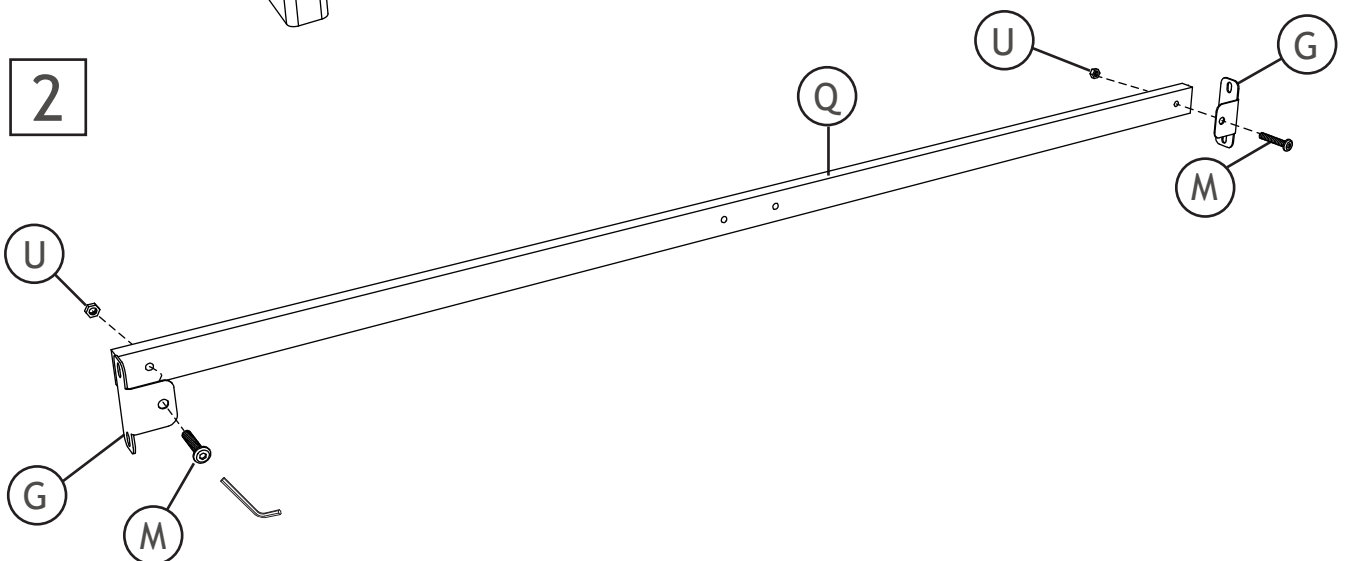
ASSEMBLY

Before your installation, please make sure that you have all the parts listed on the manual. If you find something missing, stop installing and contact your supplier immediately.

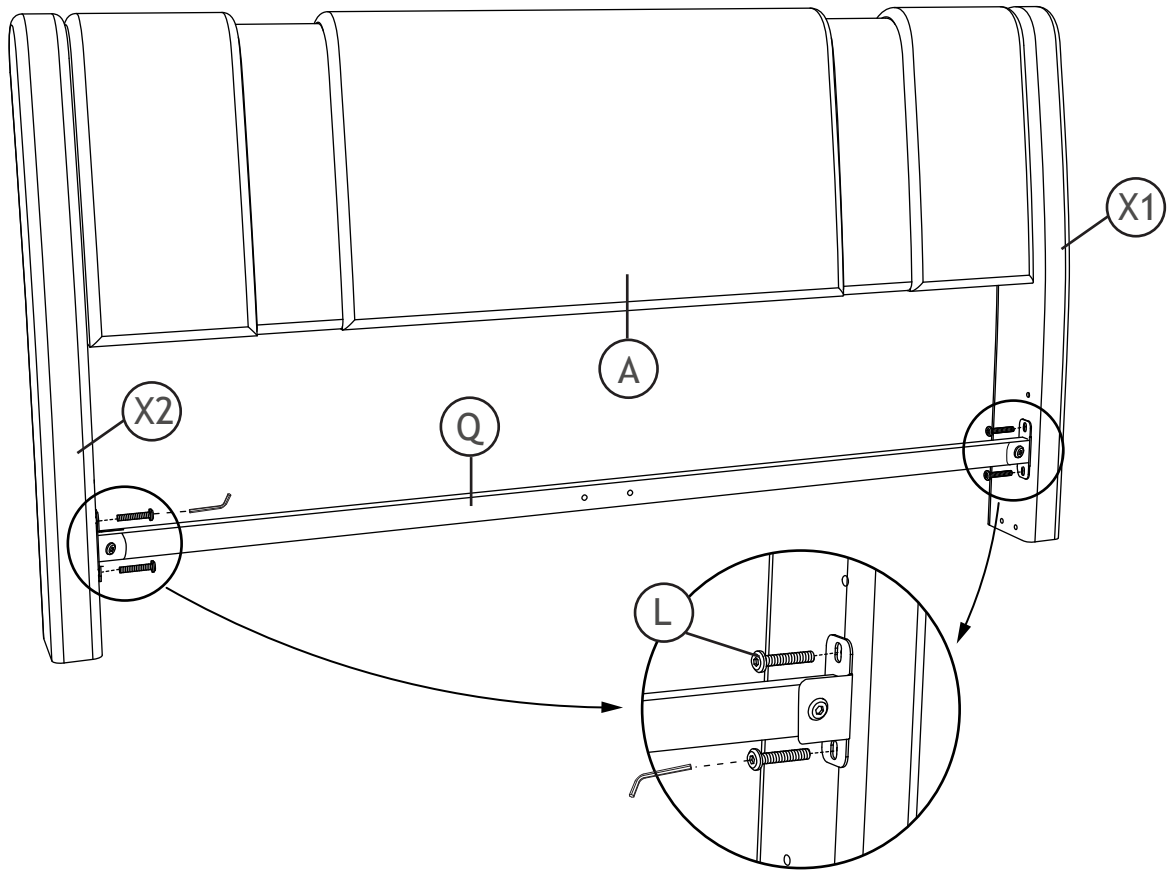
1



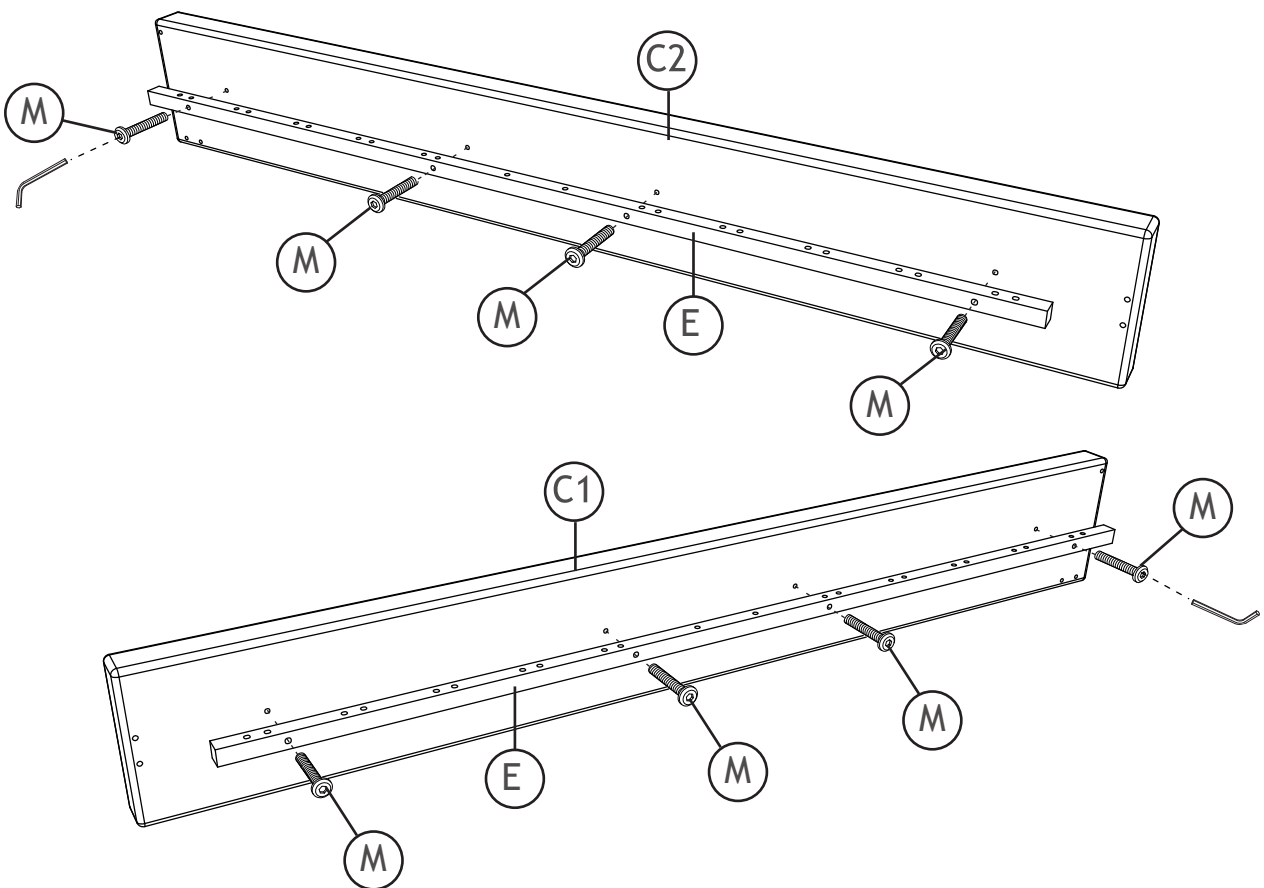
2



3

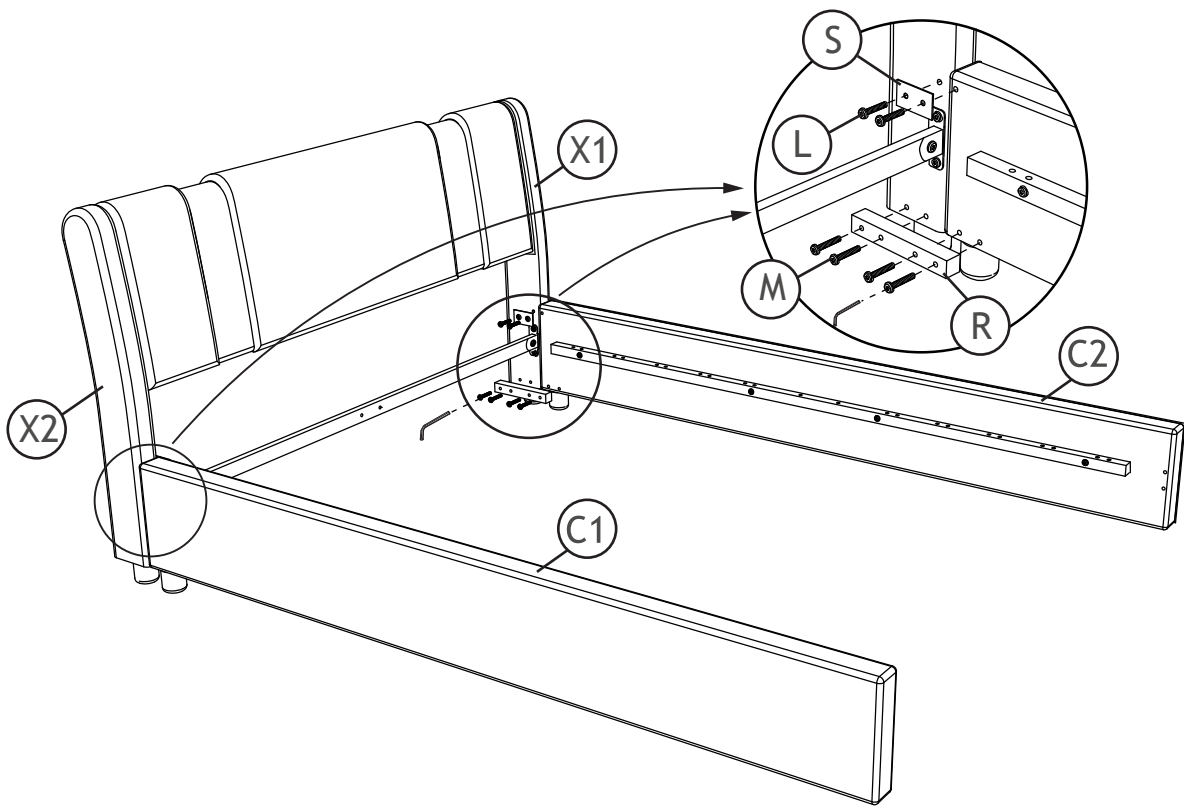
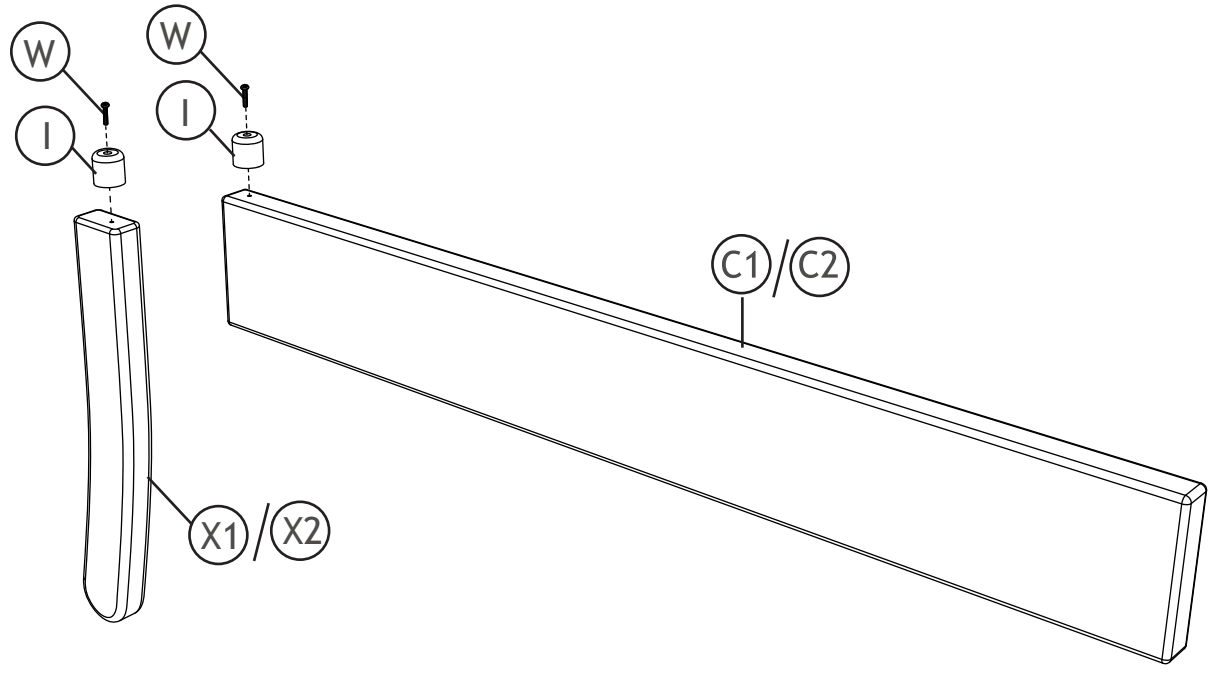


4

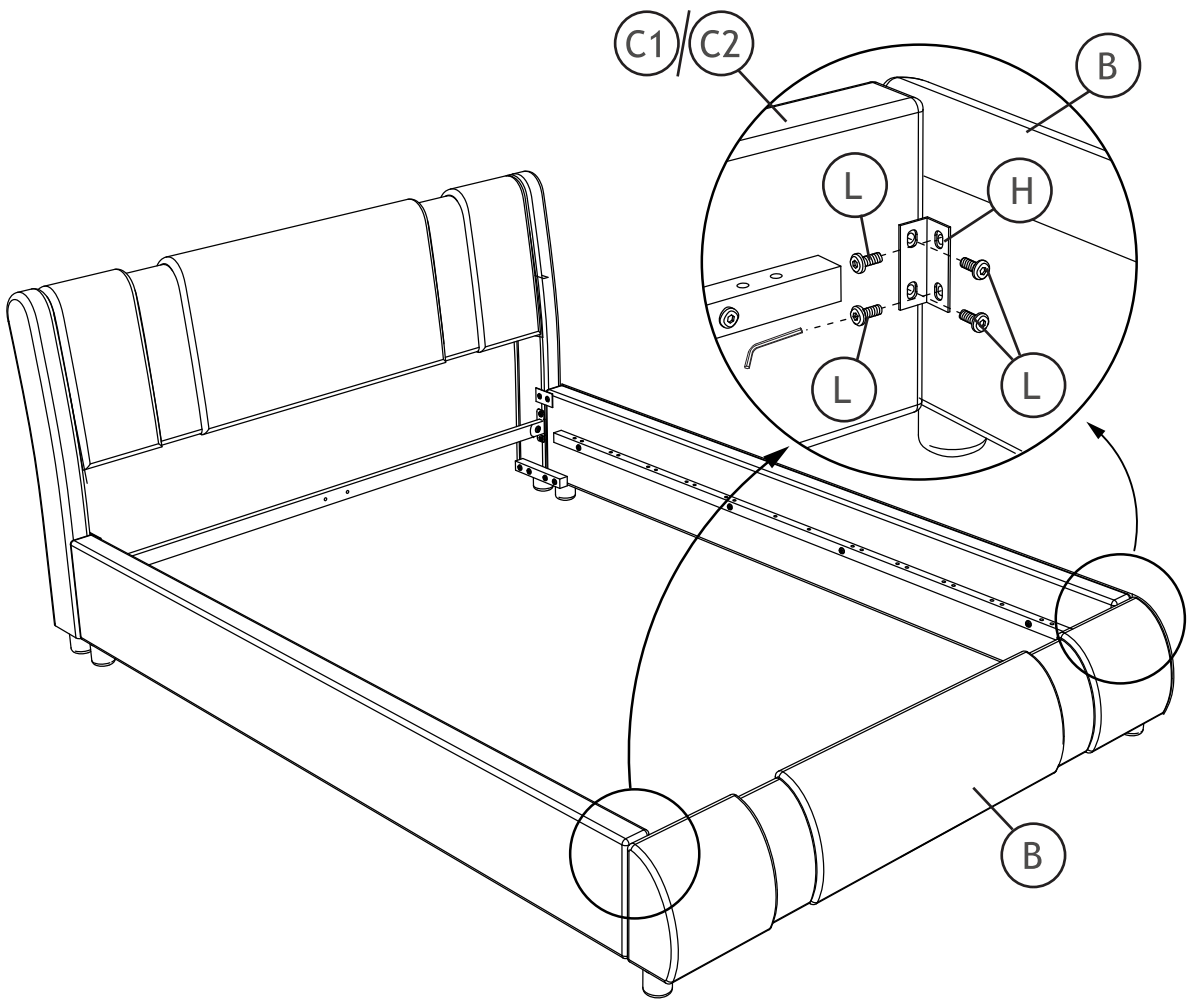
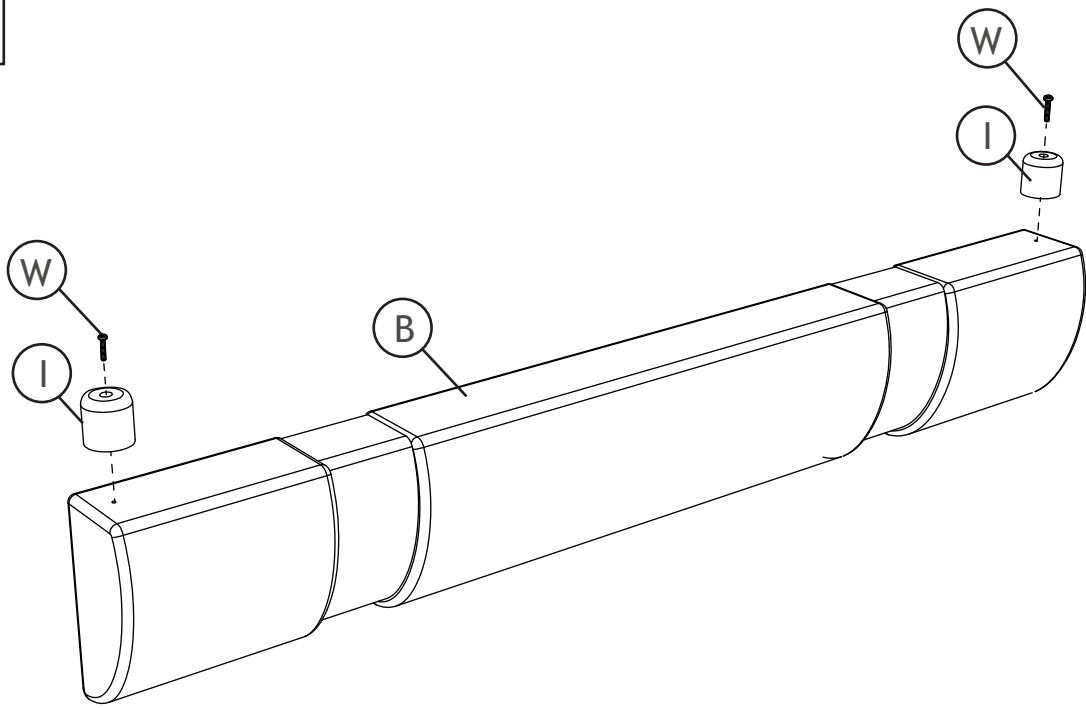


5

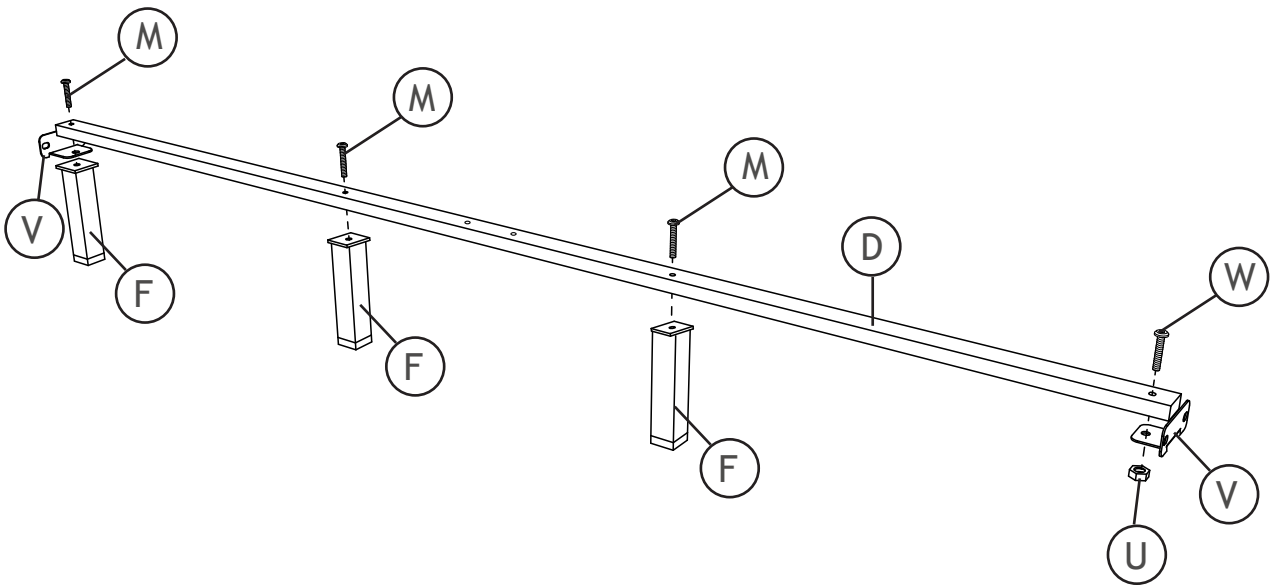
The I needs to be fixed by screws (W) in manually at a suitable position of each edge of C1/C2 and X1/X2 . An electric drill will be helpful.



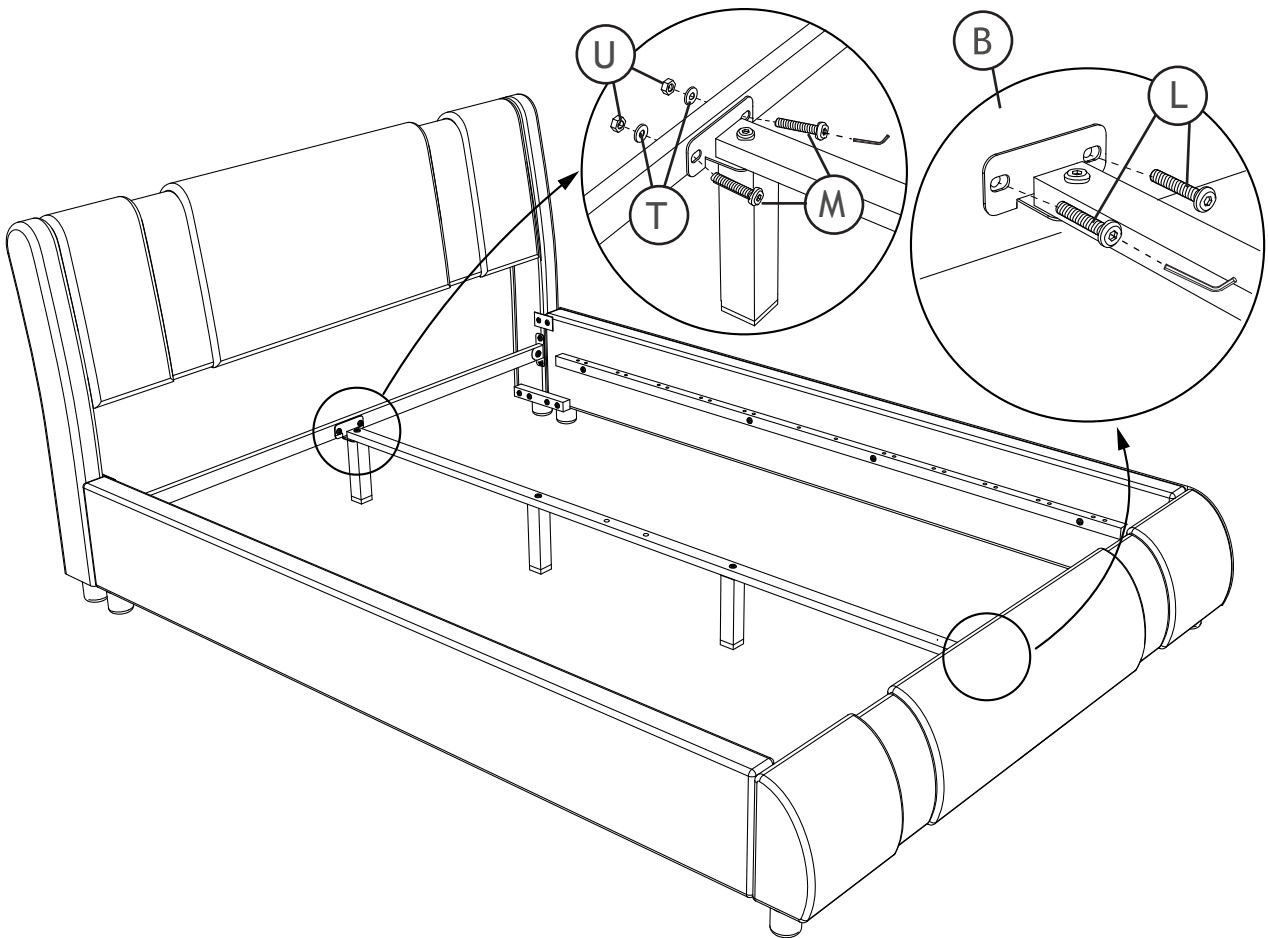
6



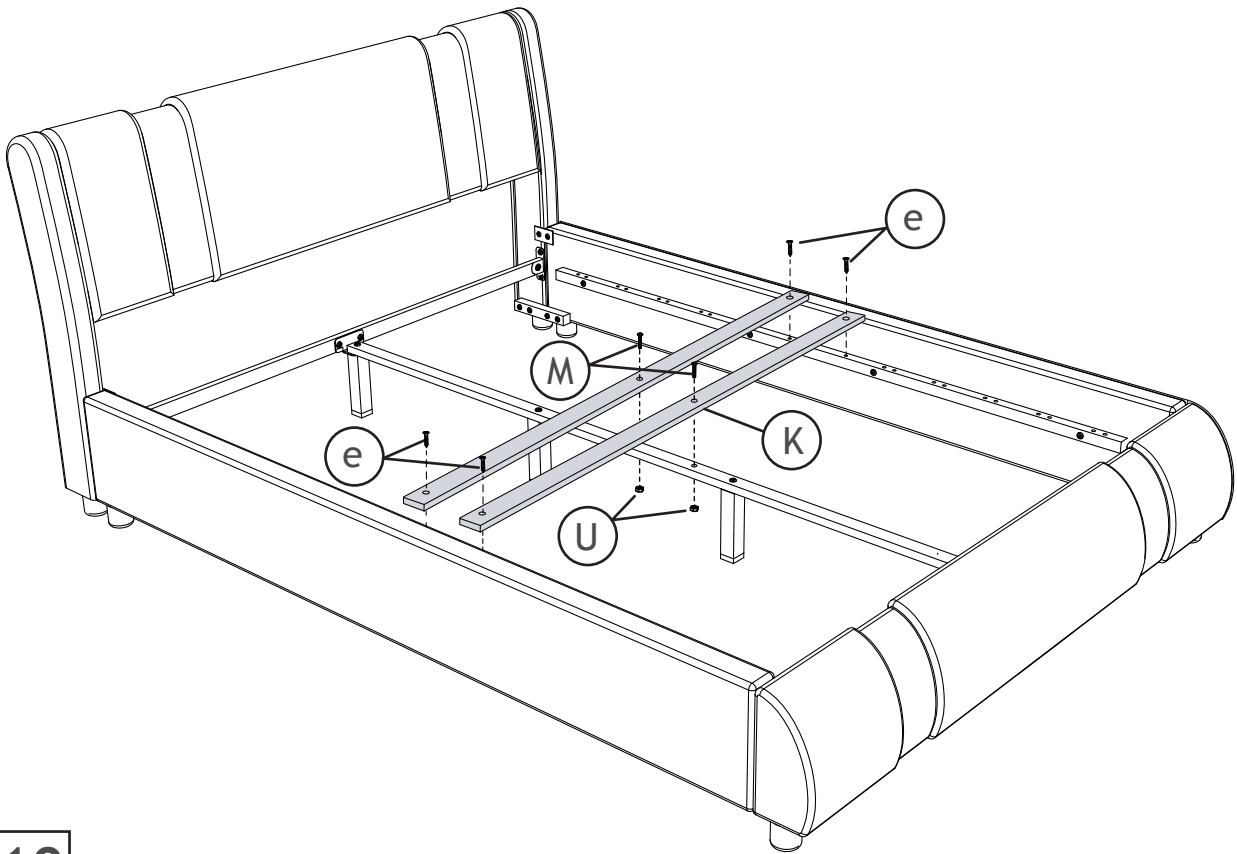
7



8



9



10

