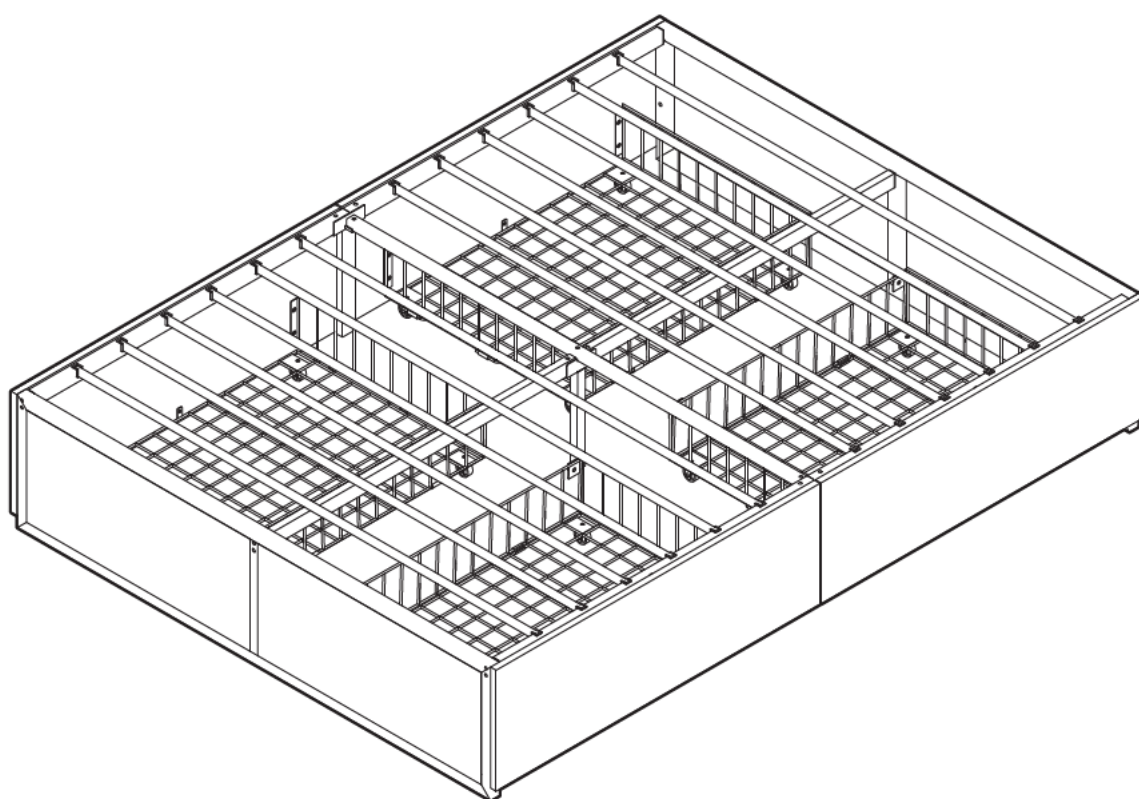
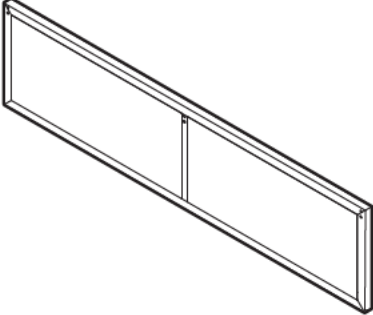
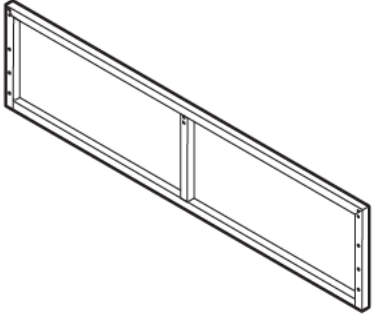
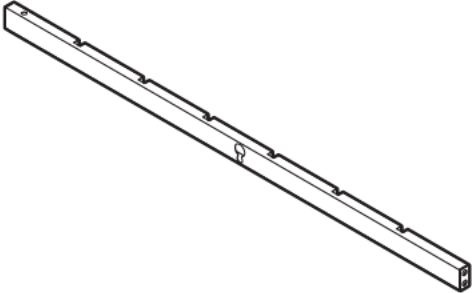
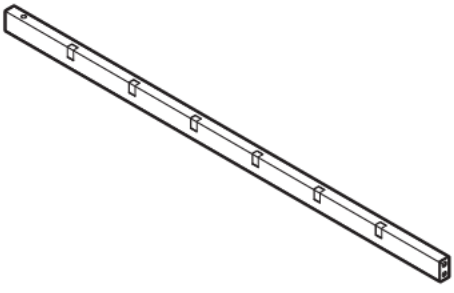
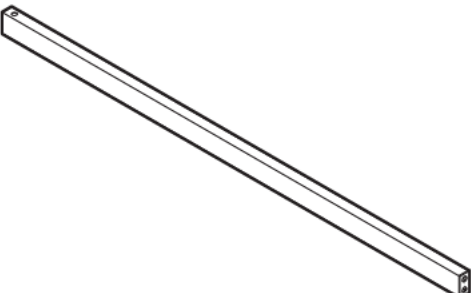
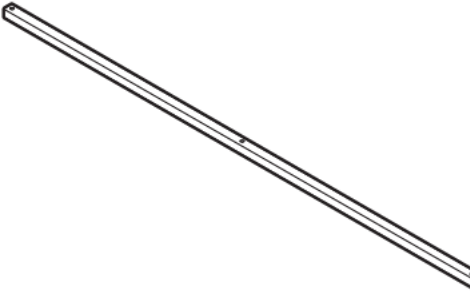
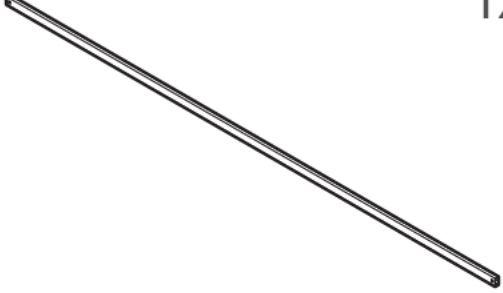

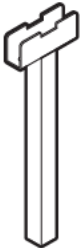
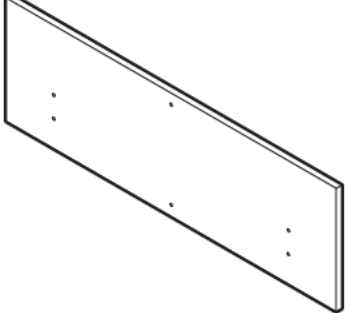
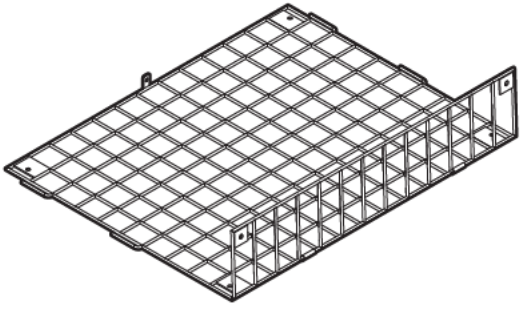
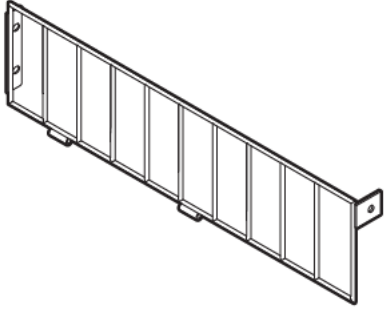
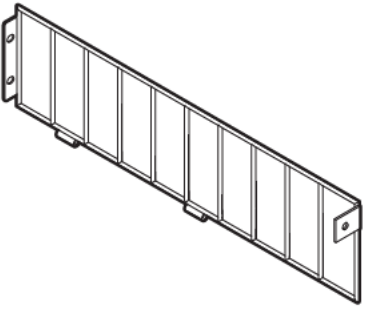

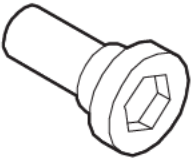
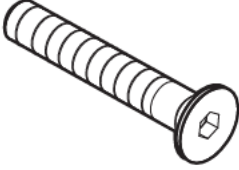
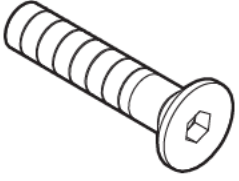
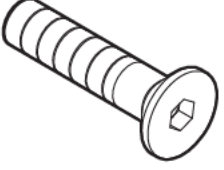
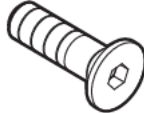







ORIGINAL INSTRUCTION MANUAL



PARTS LIST

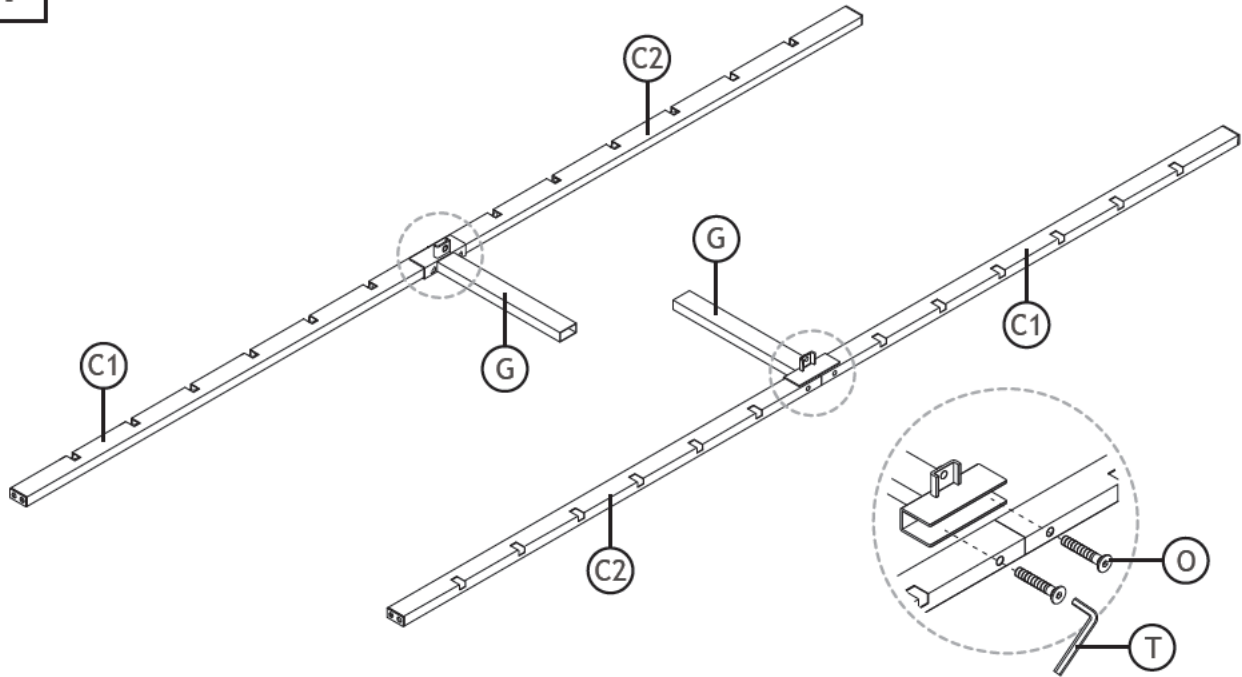
A  1×	B  1×
C1  2×	C2  2×
D  2×	E  1×
F  12×	G  2×
H  1×	I  4×

<p>J</p> 	<p>4×</p>	<p>K1</p> 	<p>4×</p>				
<p>K2</p> 	<p>4×</p>	<p>L</p> 	<p>16×</p>				
<p>M</p> 	<p>4×</p>	<p>N</p>  <p>M8×70mm</p>	<p>1×</p>	<p>O</p>  <p>M8×50mm</p>	<p>6×</p>		
<p>P</p>  <p>M8×40mm</p>	<p>14×</p>	<p>Q</p>  <p>M6×12mm</p>	<p>44×</p>	<p>R</p>  <p>M6</p>	<p>8×</p>		
<p>S</p>  <p>M8</p>	<p>4×</p>	<p>T</p>  <p>M8</p>	<p>1×</p>	<p>U</p>  <p>M6</p>	<p>1×</p>	<p>V</p> 	<p>1×</p>

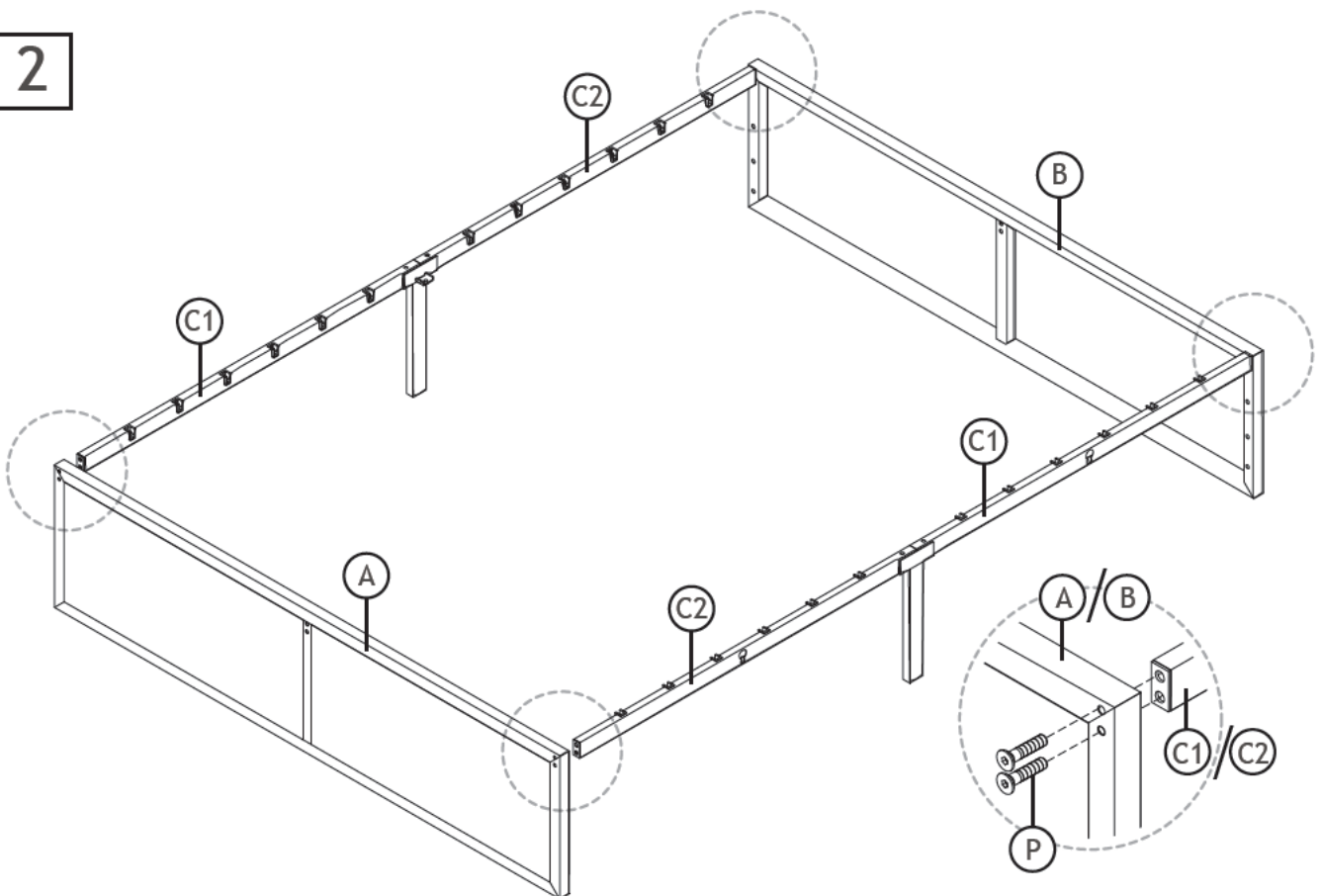
ASSEMBLY

Before your installation, please make sure that you have all the parts listed on the manual. If you find something missing, stop installing supplier immediately

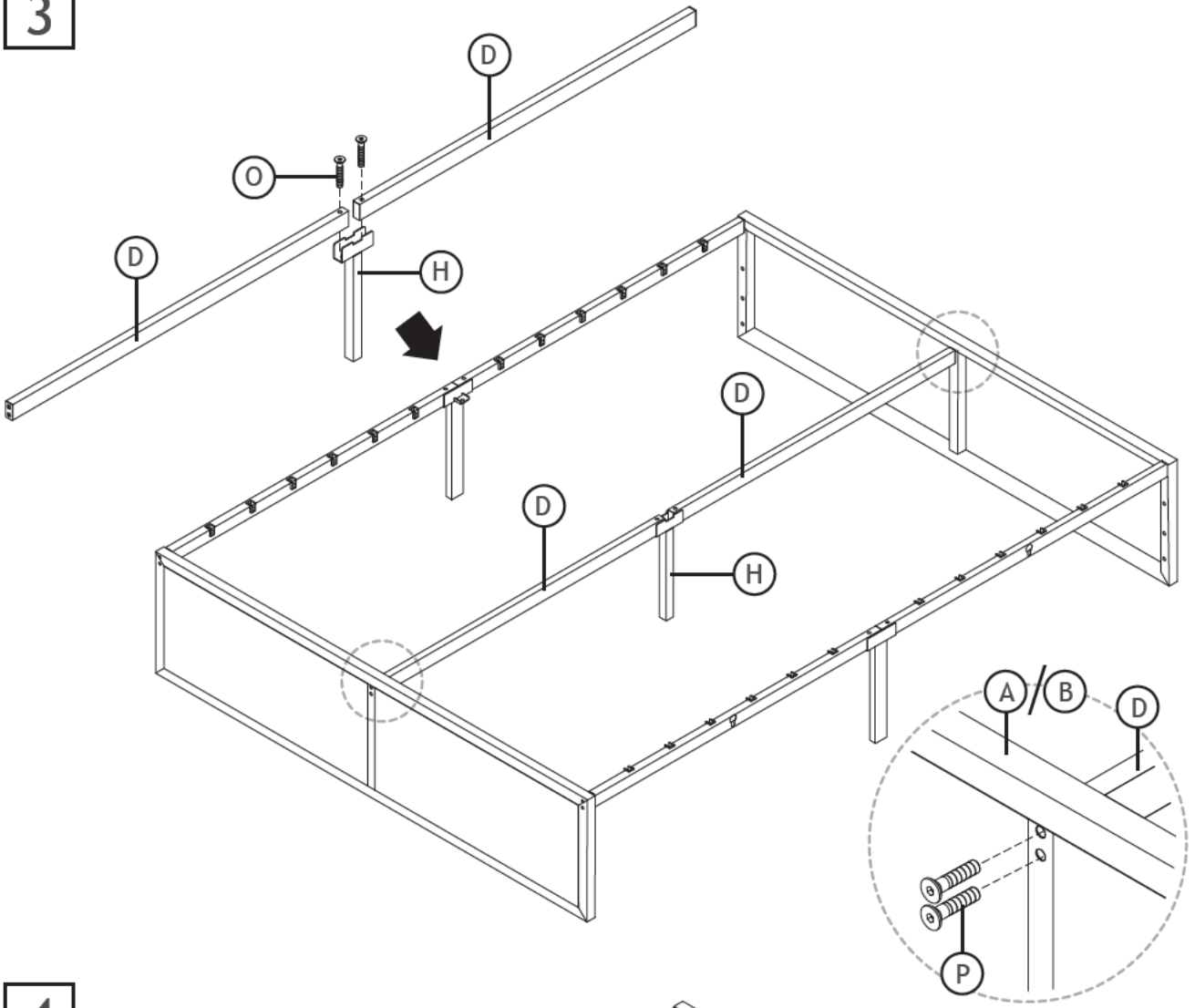
1



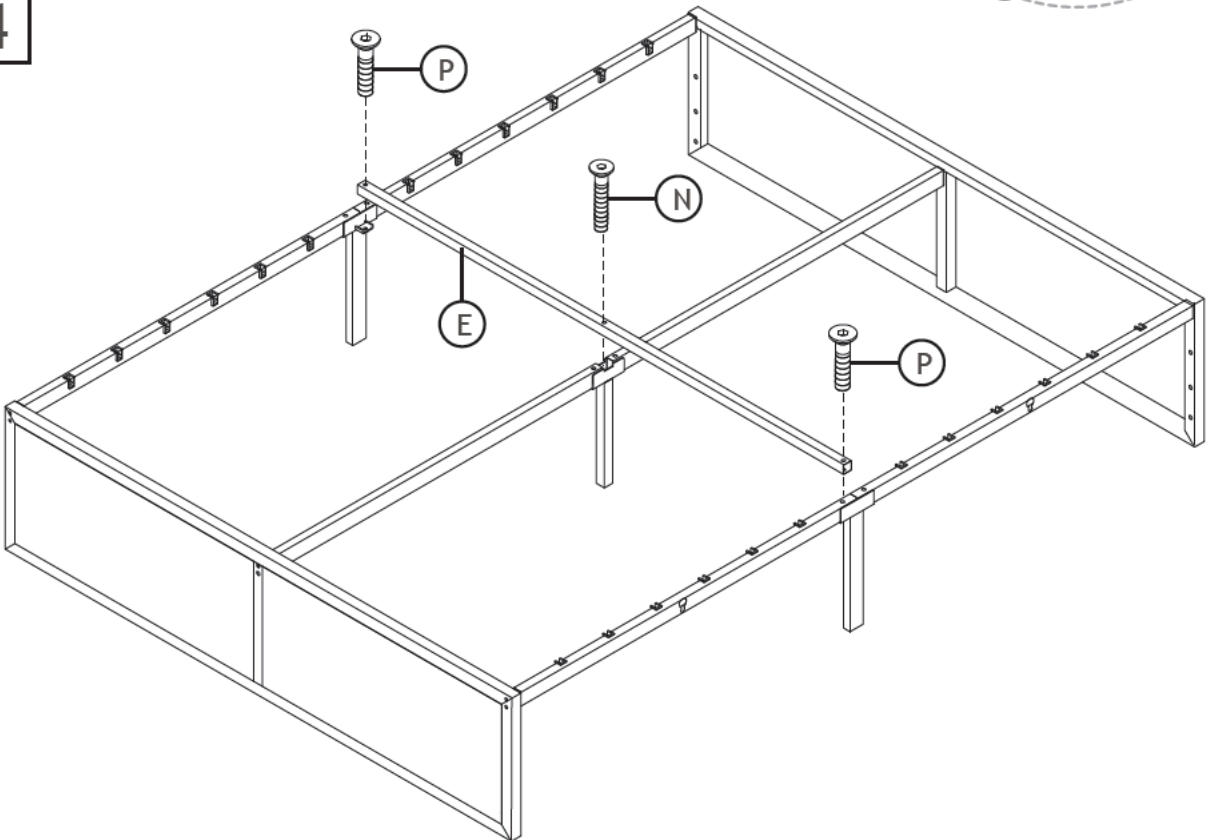
2



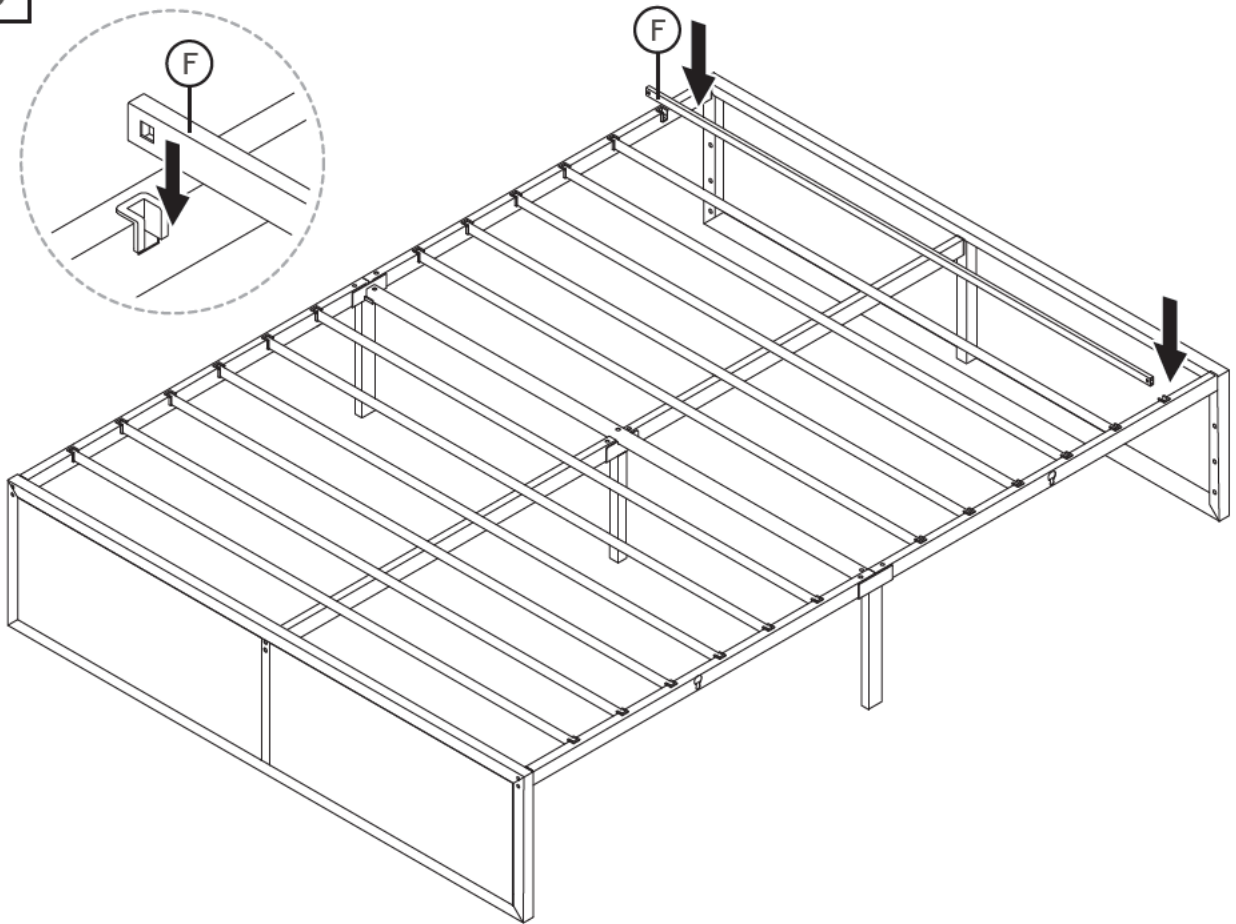
3



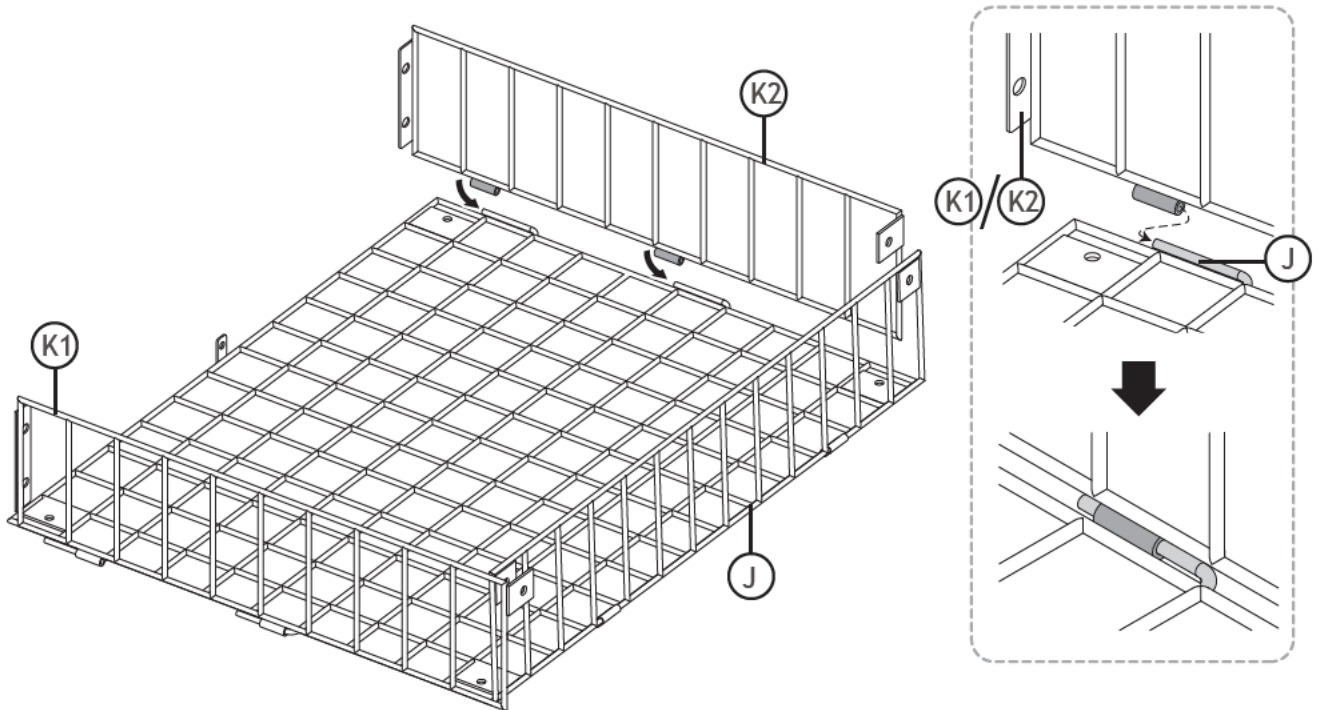
4



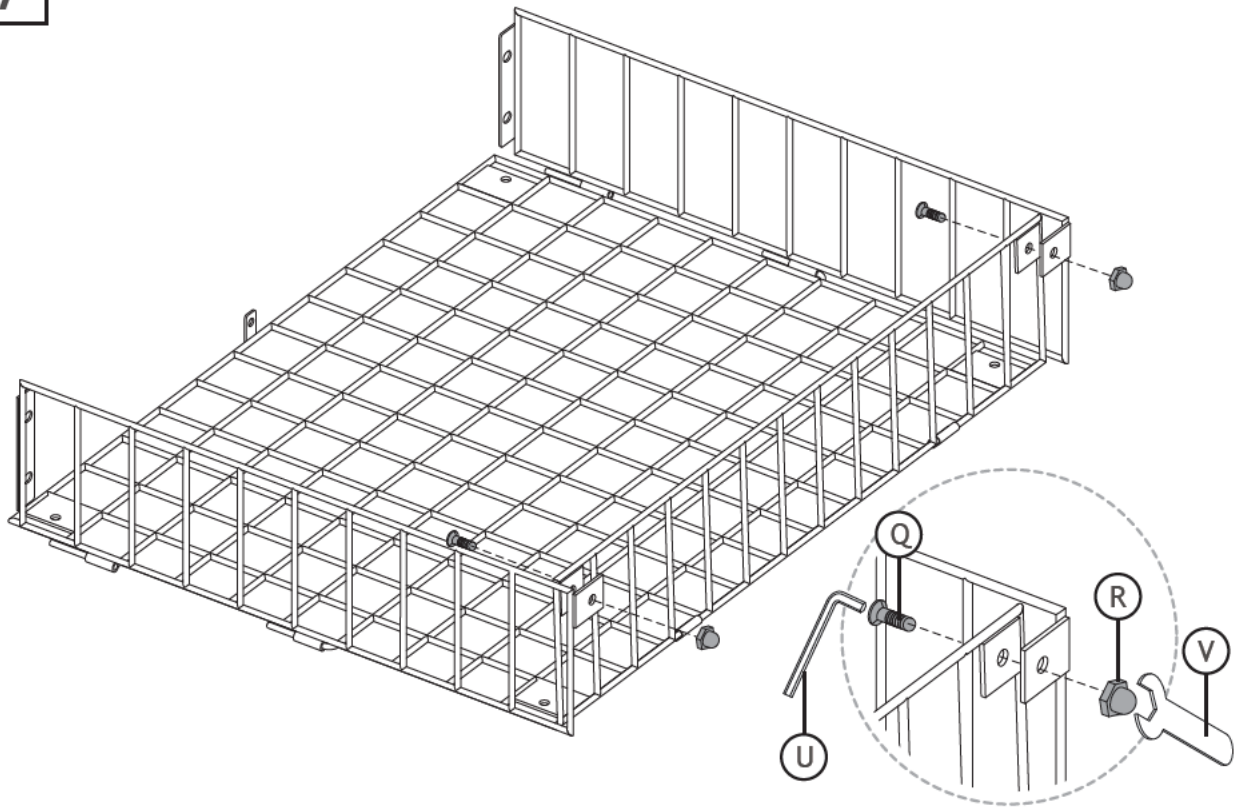
5



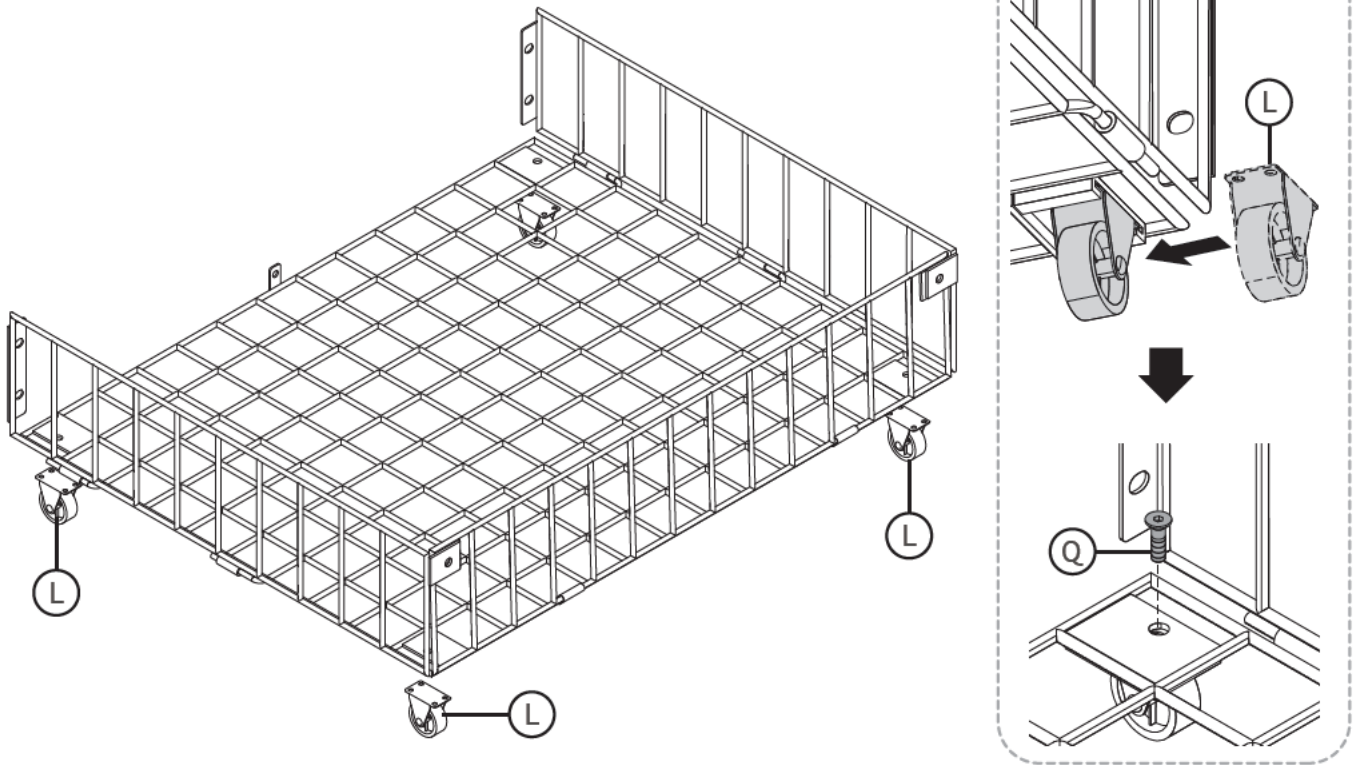
6 Insert the side frame wire into the bottom frame pin hole.



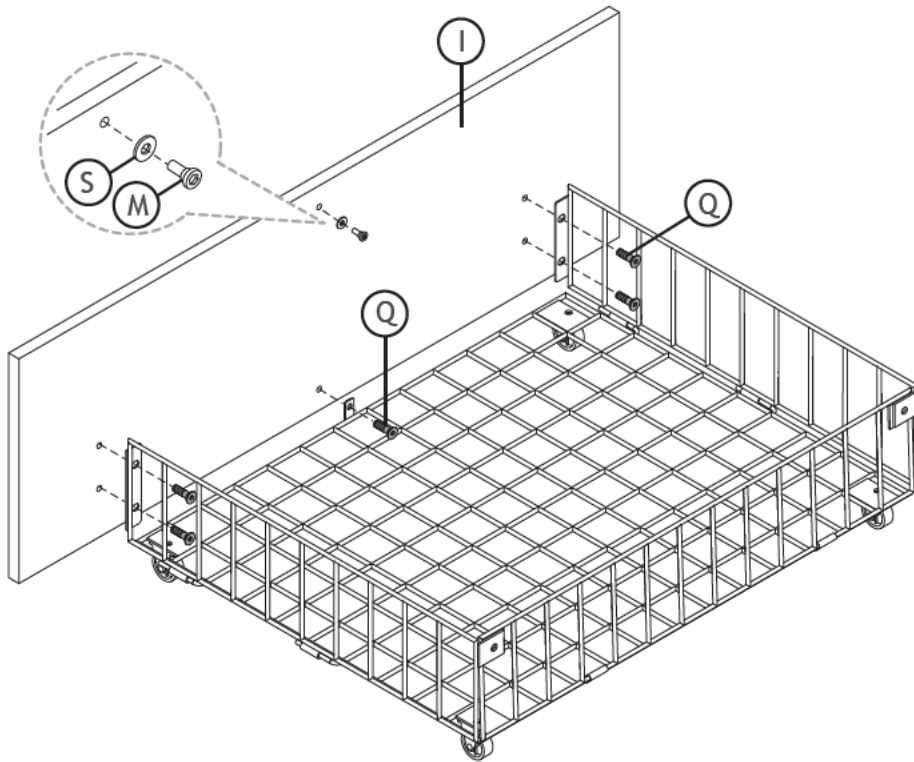
7



8 Clip the wheel into the bottom frame slot, and then lock the fixing screw.

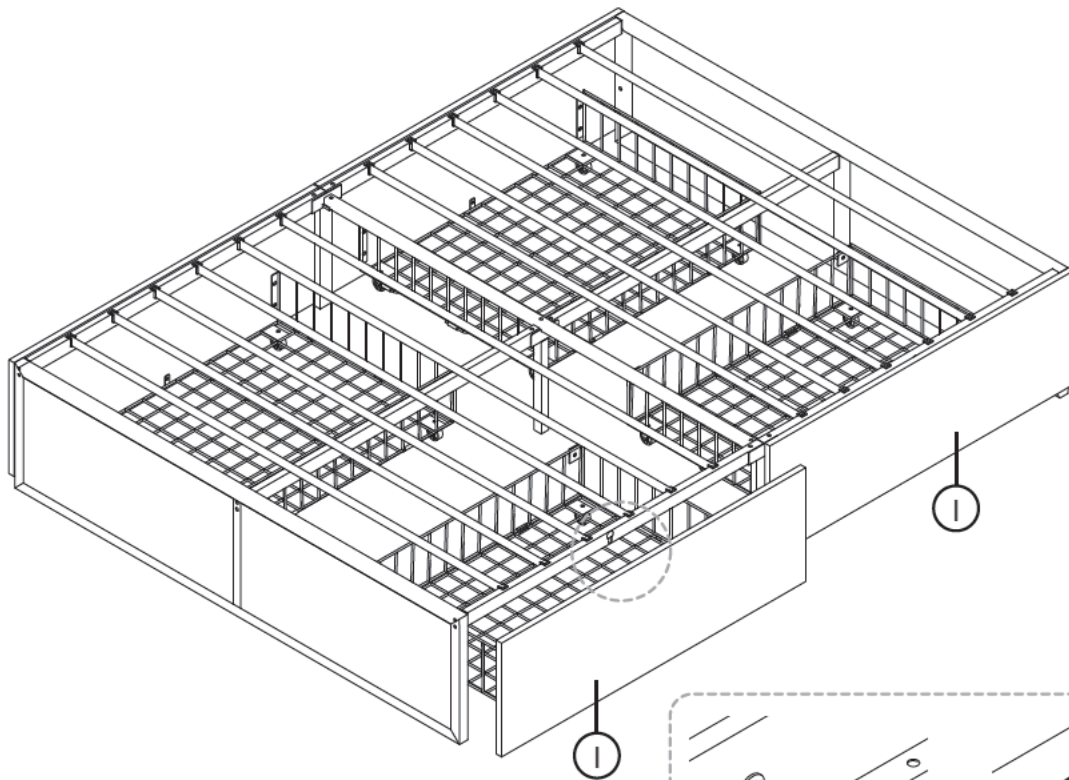


9



10

THE whole bed consists of a bed frame and 4 drawers.



Put the M screws into the hole and press it into the bottom of the "I" hole.

