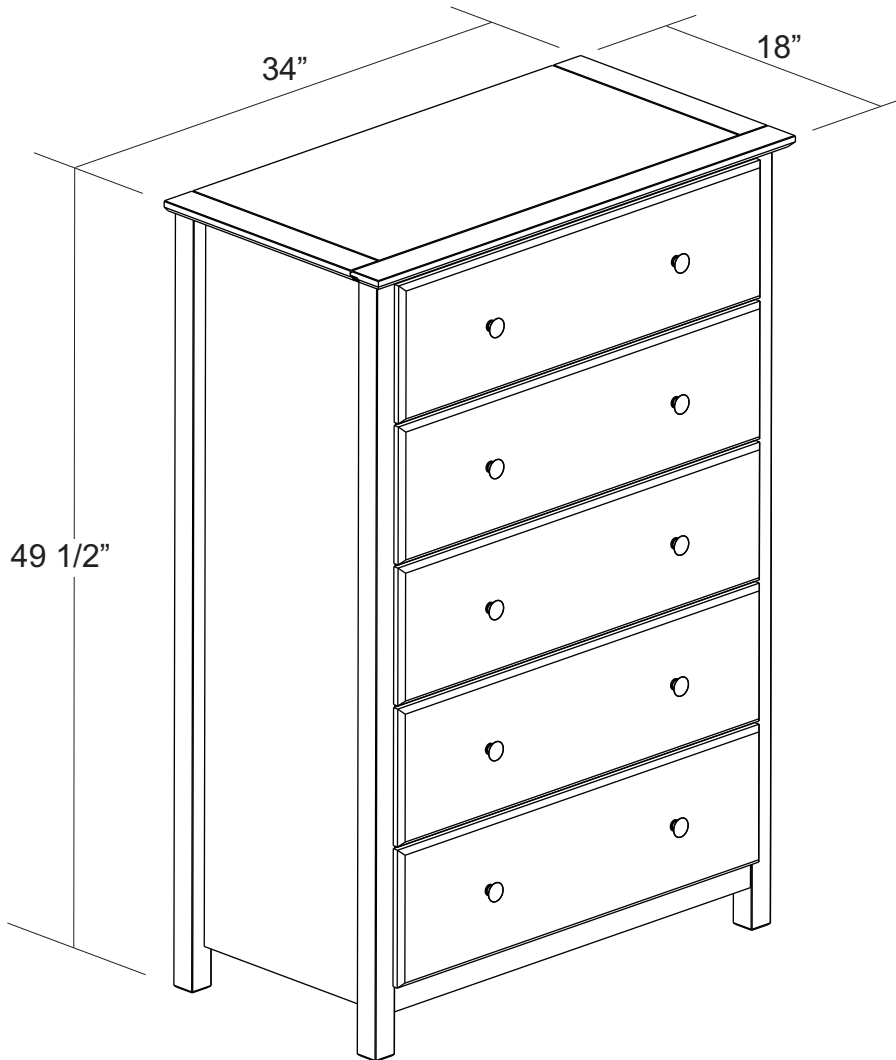


Assembly Instructions

Shaker Collection

5 Drawer Chest



Thank you for purchasing our furniture, it's an honor to be in your home!

Every effort has been made to ensure your Wood Furniture is of the finest quality. If you have any questions or need any replacement parts, please do not hesitate to contact us at www.grainwoodfurniture.com



www.grainwoodfurniture.com

				Model # SH0701 SH0702 SH0704	Finish Cherry Expresso Walnut
--	--	--	--	--	---

MADE IN BRAZIL

PLEASE READ BELOW BEFORE BEGINNING YOUR ASSEMBLY

Here are some tips on assembling your flat-pack furniture in order to minimize your assembly time and frustrations:

- Do Not throw away packaging material until assembly is complete.
- Assemble the item on a soft surface, such as cardboard or old blanket, to protect finish from possible dents or scratches.
- Choose a spacious, open area near where the piece will be located. It is easier to move parts than to relocate the furniture after it is fully assembled, depending on its size and weight.
- Organize everything and count it twice. If you organize the items by parts, you'll find it much easier to grab each piece as you build.
- Real Wood furniture may present imperfections such as wood knots, minor splits or cracks that are part of the natural aspect of the material. In few cases, also can be caused by variations of air moisture and temperature. Whenever stability of the piece of furniture is not compromised we recommend customers to perform cosmetic touch-ups by wax crayon fillers sold at all major hardware stores.
- It is best to use any tools the kit provides, such as a hex key, because they may be specially sized for that piece of furniture. We do not recommend the use of power drill, it can damage your furniture if not used correctly.
- Read the entire list of instructions, arranging your parts in order of use as you go.
- Finally, Enlist a help from friends and family since proper assembly of most items require 2 people.

Wood Furniture Care:

- *Clean with a cloth dampened with water or furniture polish following the pattern of the grain.*
- *Do NOT use solvents such as alcohol for cleaning.*
- *Avoid placing under direct sun light, to prevent UV damage.*
- *Avoid positioning very close to heaters or AC vents.*
- *Hot pads should always be used when placing warm serving dishes on your furniture.*
- *Very hot items such as a sauce pan or baking dish should never be placed on a tabletop, even with a hot pad.*
- *Place mats will help to protect the finish from dishes and silverware, and coasters will help protect your furniture from moisture.*

Enjoy your Real Wood Furniture!



HARDWARE LIST



ATTENTION

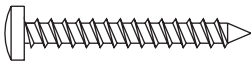

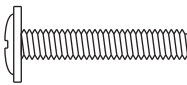


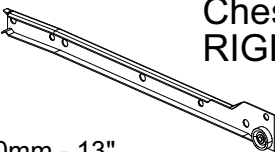
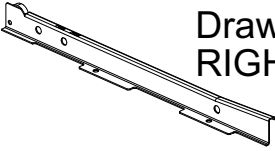
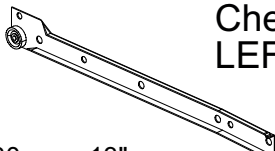
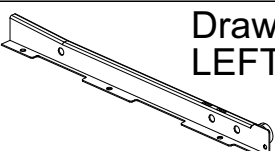
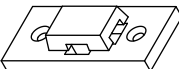

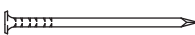
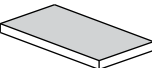

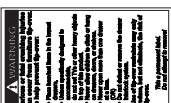
Before starting assembly please verify if the hardware set is complete.

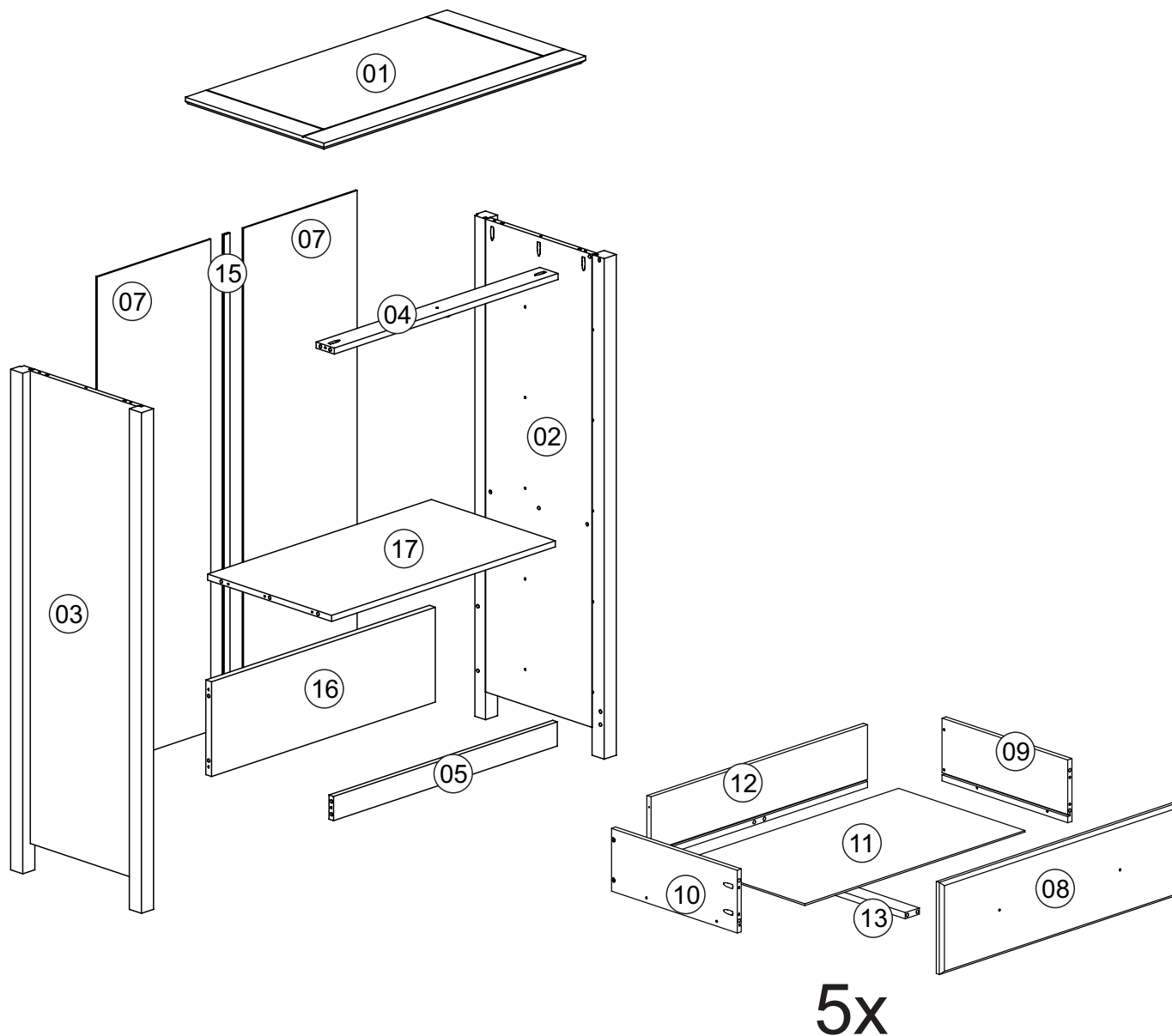
For missing hardware please contact us at www.grainwoodfurniture.com

WARNING:

CHOKING HAZARD

- Small Parts, not for Children.
To be Assembled by an Adult.

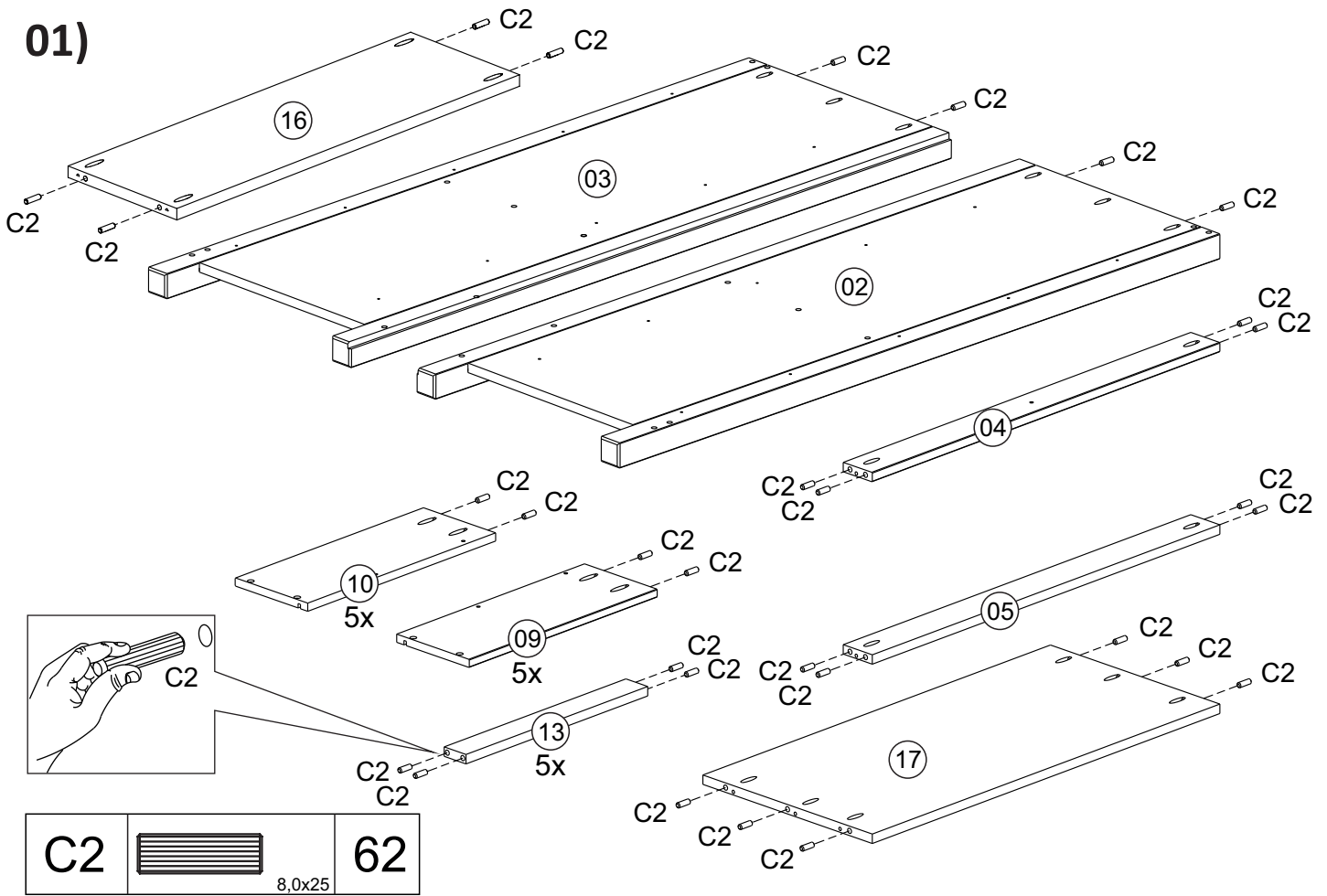
A1	 4,0x30	61 + 2
A4	 3,5x14	18 + 1
A25	 M4x25	10 + 1
B31	 6,0x10	40 + 2
C2	 8,0x25	62 + 2
E13	 330mm - 13"	05
E13	 330mm - 13"	05
E14	 330mm - 13"	05
E14	 330mm - 13"	05
F8		02
F9		01
G1	 10x10	26
G11		04
H4		10
J1		01



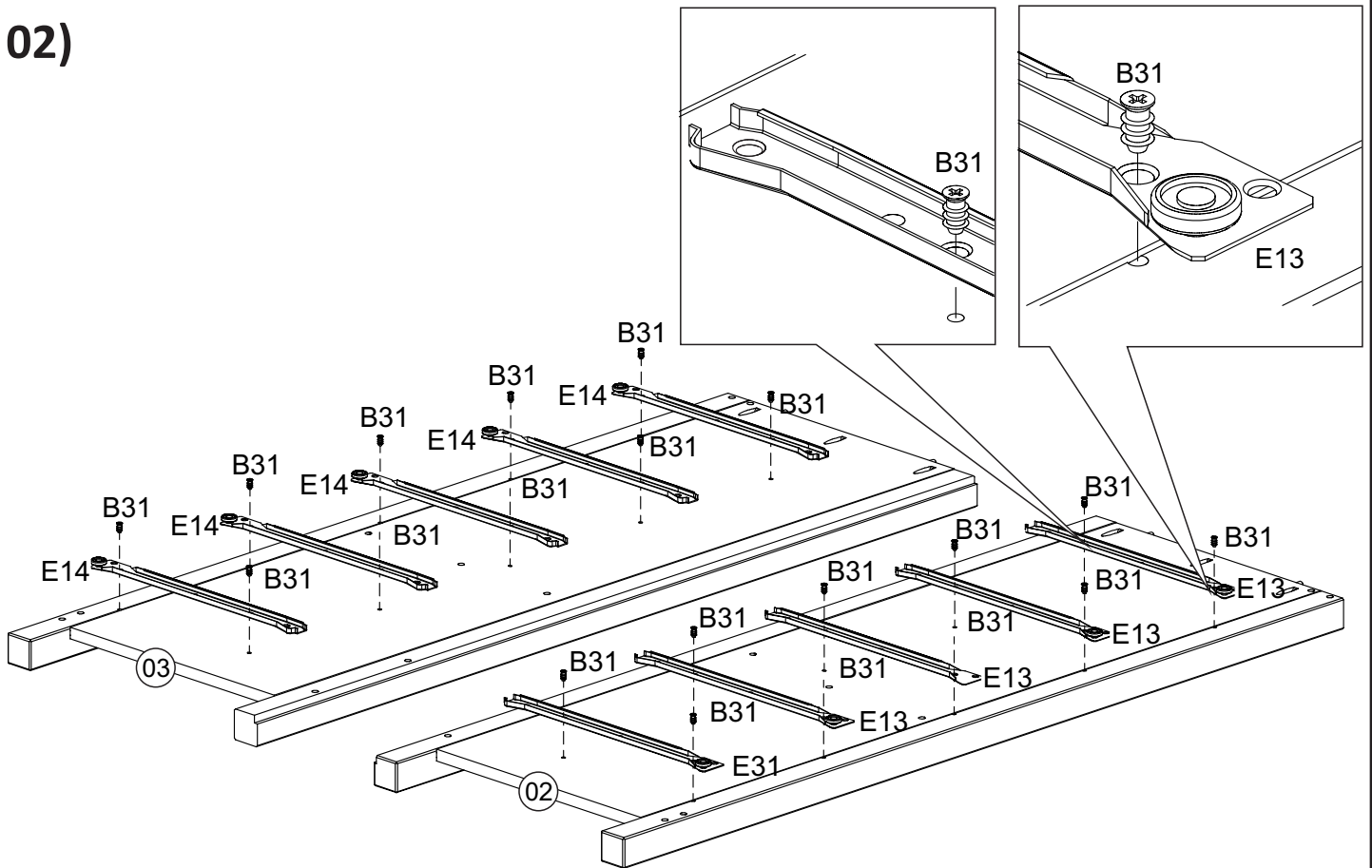
5x


Parts list		
Box 1		
Part #	Description	qty
01	Top	1
02	Right side	1
03	Left side	1
04	Upper crosspiece	1
05	Lower crosspiece	1
07	Back panel	2
08	Drawer front	5
09	Drawer right side	5
10	Drawer Left side	5
11	Drawer bottom	5
12	Drawer back	5
13	Drawer bottom support	5
15	Profile "H"	1
16	Rear panel	1
17	Stabilizing panel	1
	Hardware	1

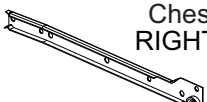
01)

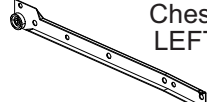


02)

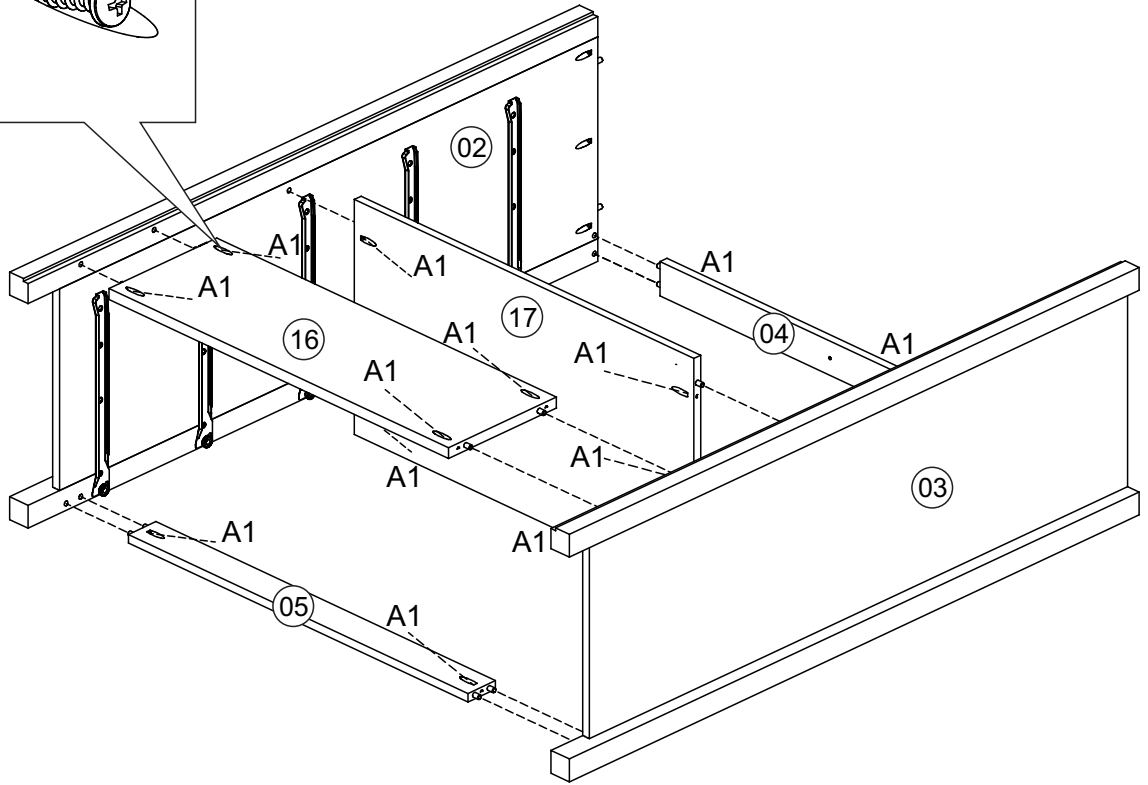
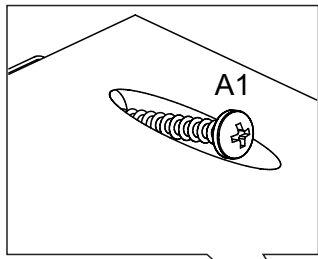



B31		6,0x10	20
-----	---	--------	----

E13		Chest RIGHT	05
-----	---	----------------	----

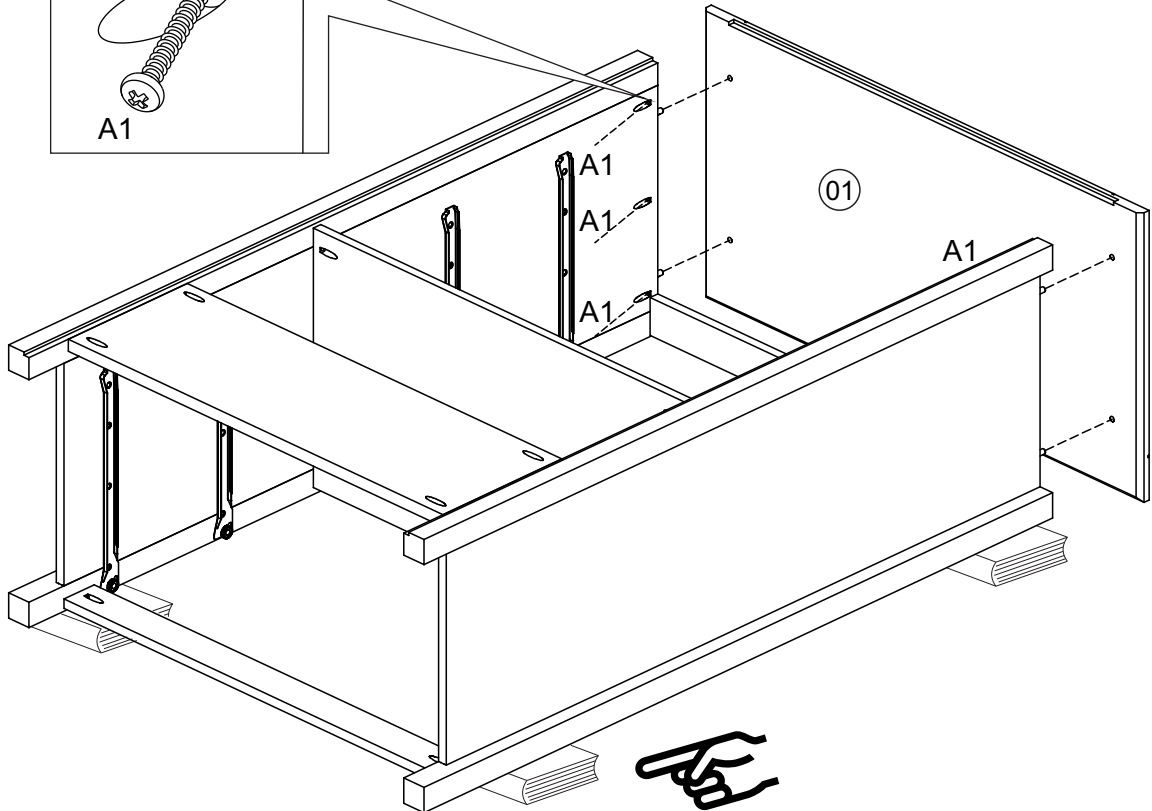
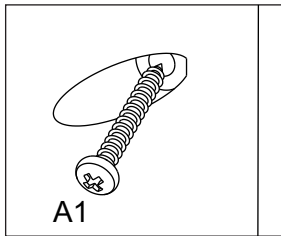
E14		Chest LEFT	05
-----	---	---------------	----


03)



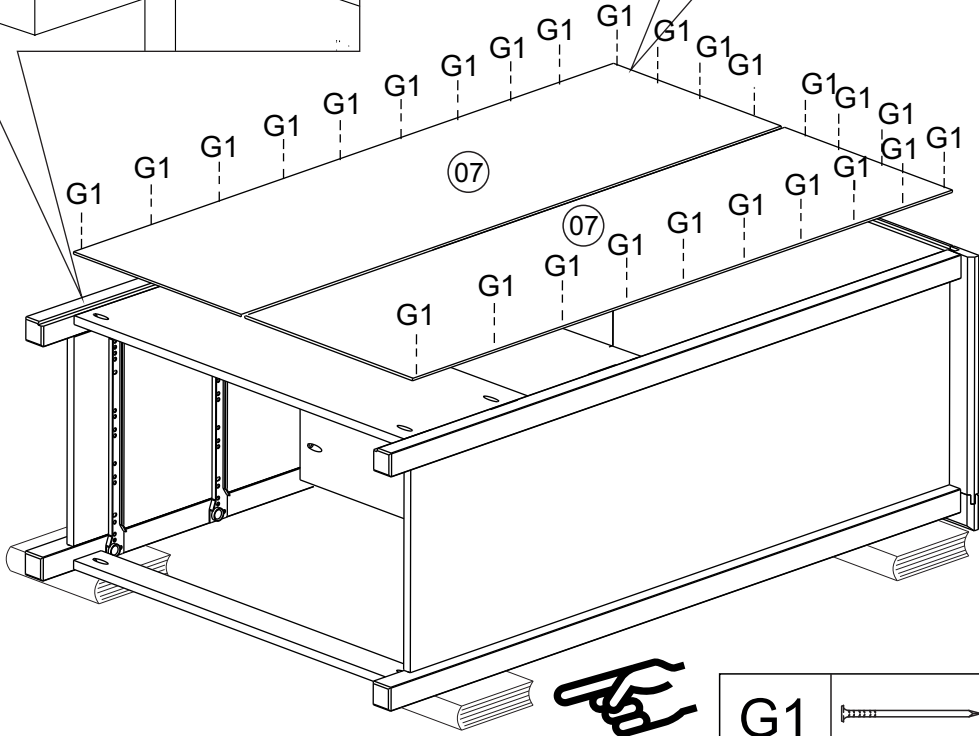
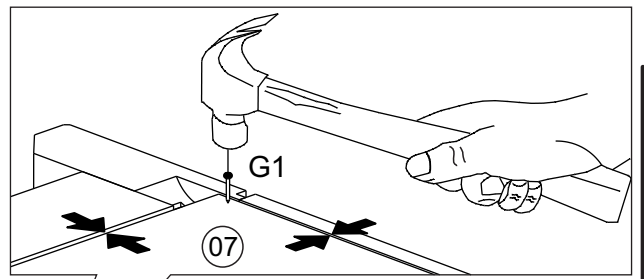
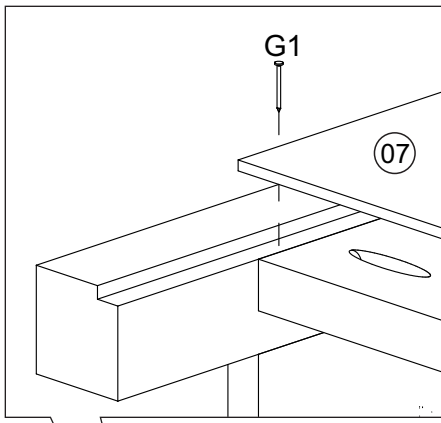
A1		4,0x30	14
----	---	--------	----


04)



A1		4,0x30	07
----	---	--------	----

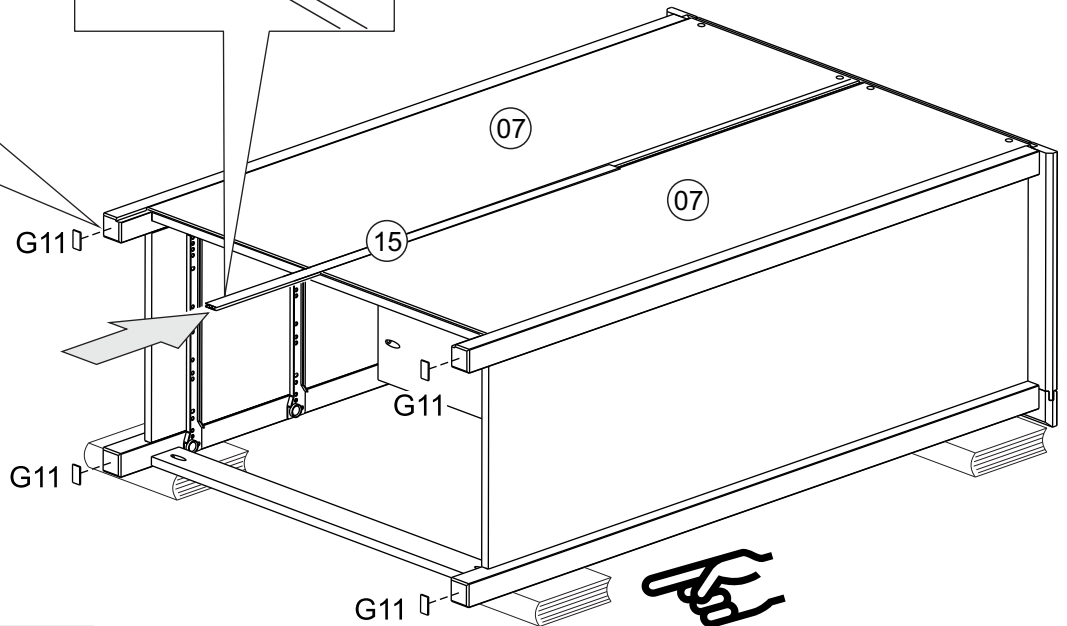
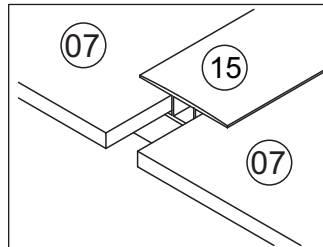
05)

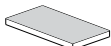


G1		26
		10x10



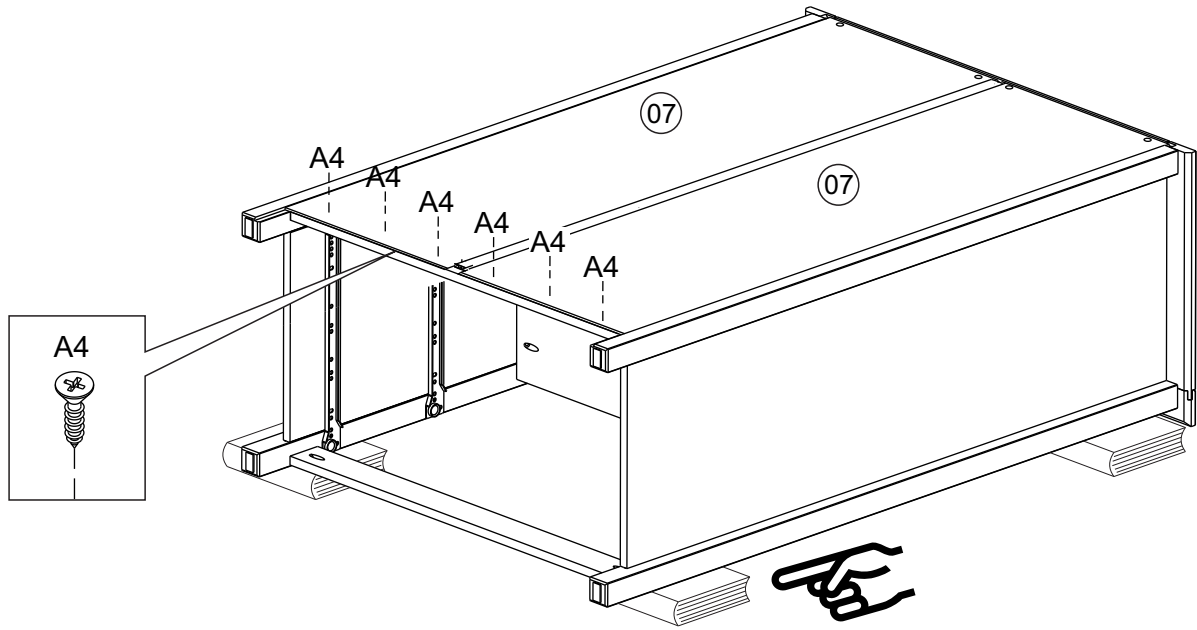
06)




G11		04
-----	---	----

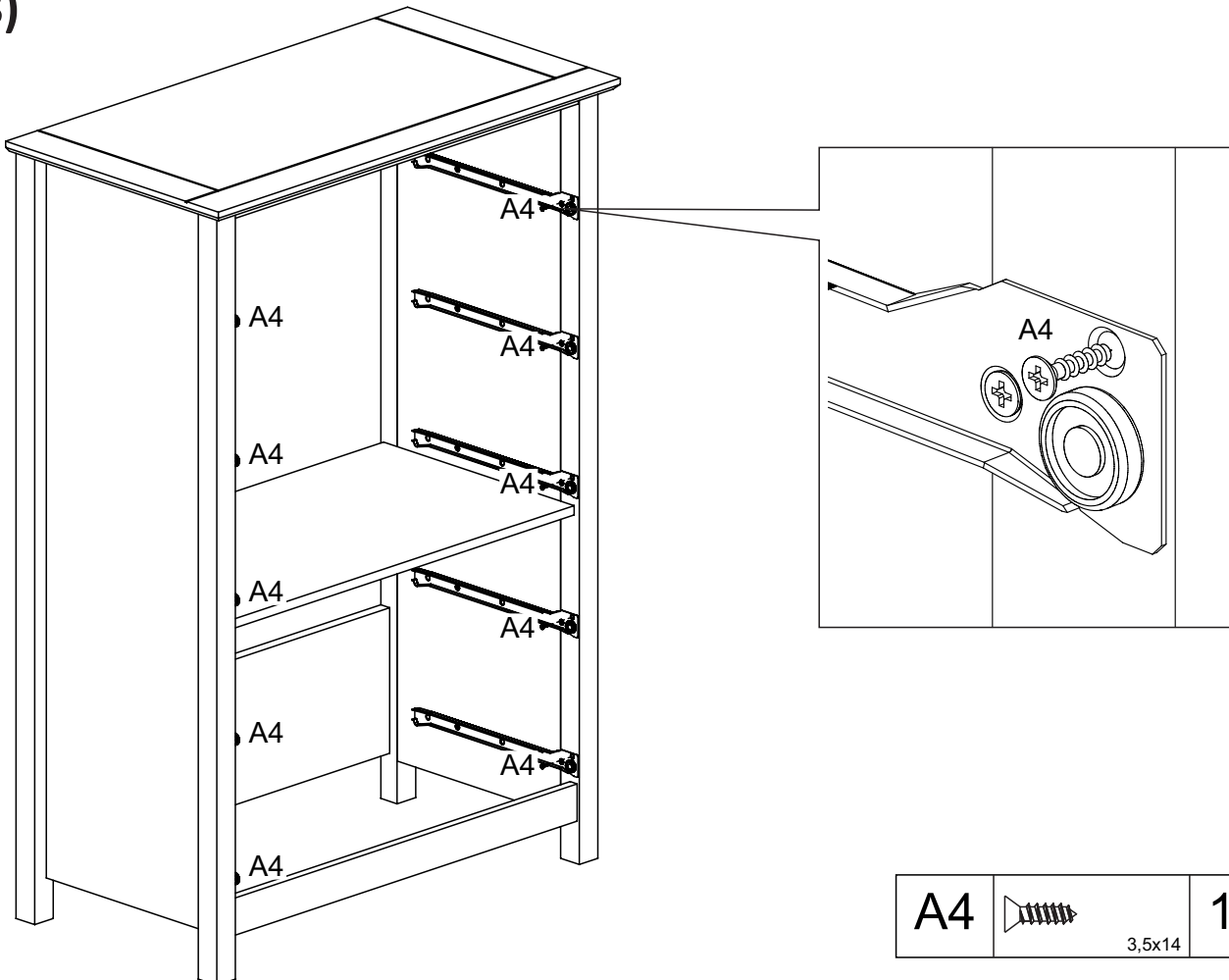



07)



A4		06
		3,5x14

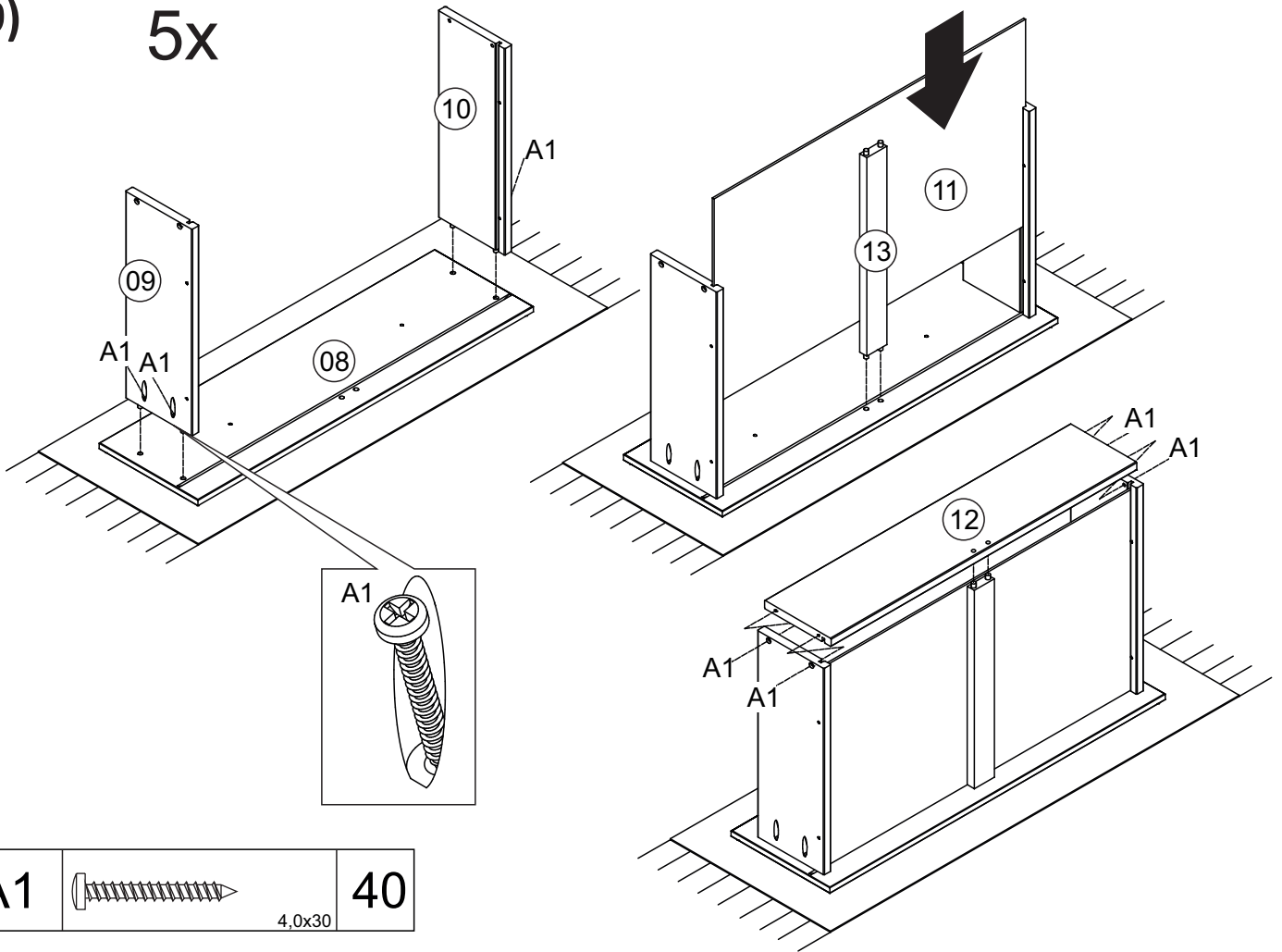
08)




A4		10
		3,5x14

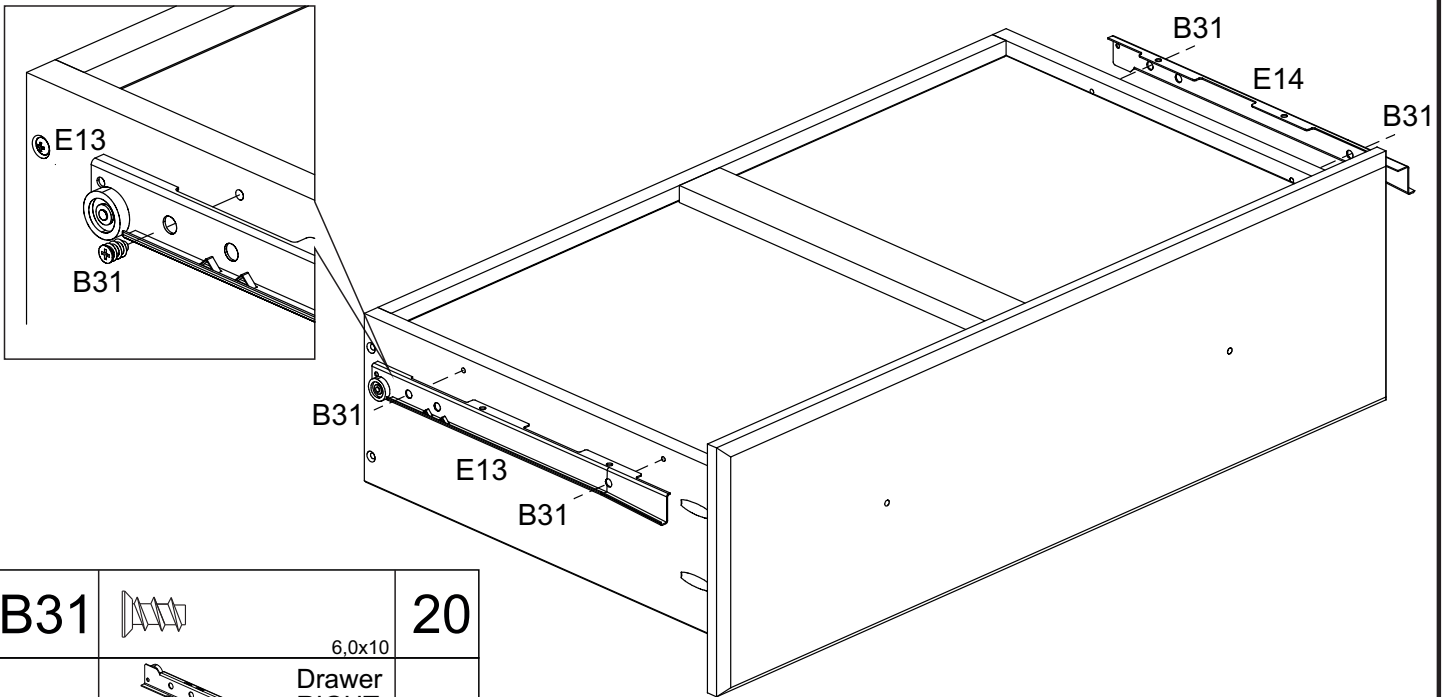
09)

5x


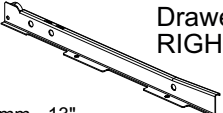
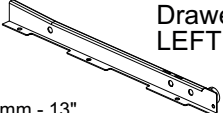


A1		40
	4,0x30	

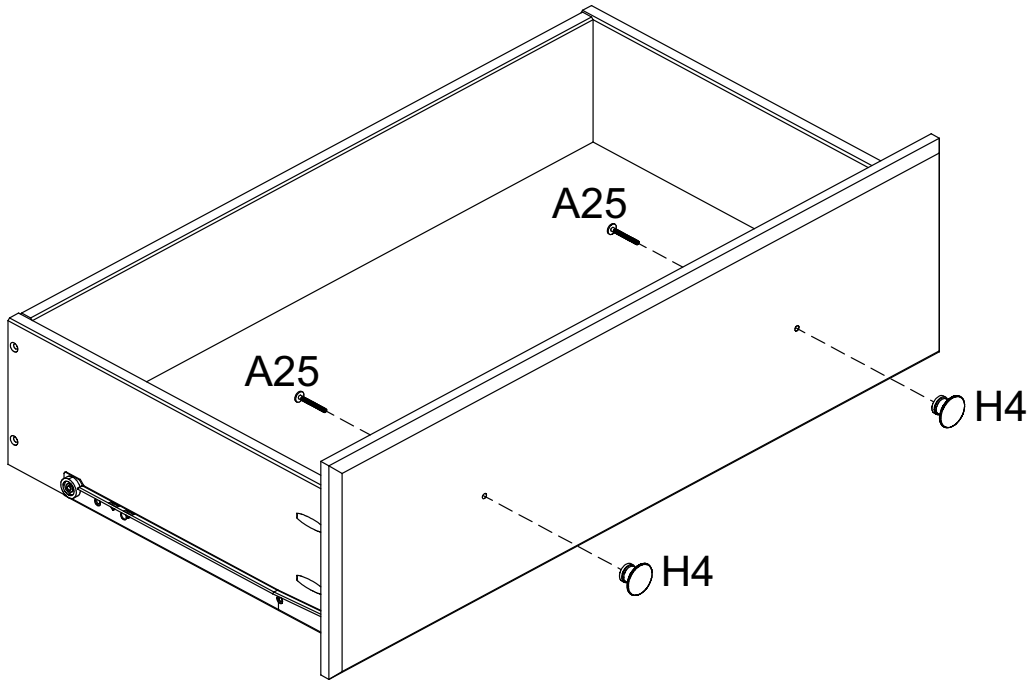
10) FLIP THE ASSEMBLED DRAWER UPSIDE DOWN TO INSTALL GLIDES


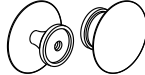


5x

B31		20
	6,0x10	
E13	 Drawer RIGHT	05
	330mm - 13"	
E14	 Drawer LEFT	05
	330mm - 13"	

11) 5x



A25		10
M4x25		
H4		10

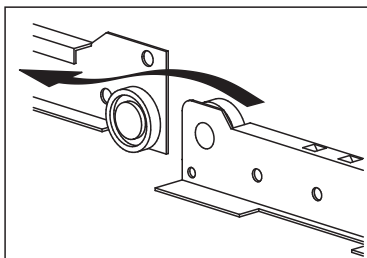
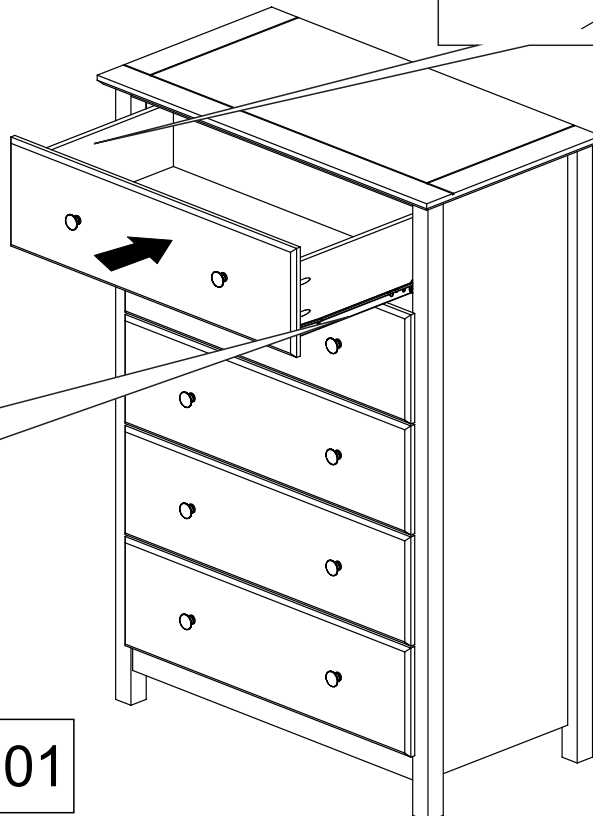
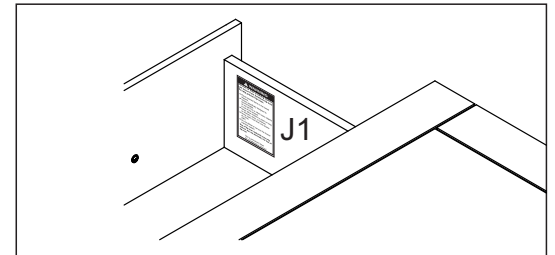
12) Place the warning label in upper drawer of the chest as shown.

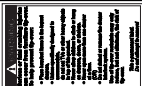
⚠ WARNING
Serious or fatal crushing injuries can occur from furniture tip-over. To help prevent tip-over:

- Place heaviest items in the lowest drawers.
- Unless specifically designed to accommodate, do not set TVs or other heavy objects in top of this product.
- Never allow children to climb or hang on drawers, doors, or shelves.
- Never open more than one drawer at a time.
(OR)
- Do not defeat or remove the drawer interlock system.

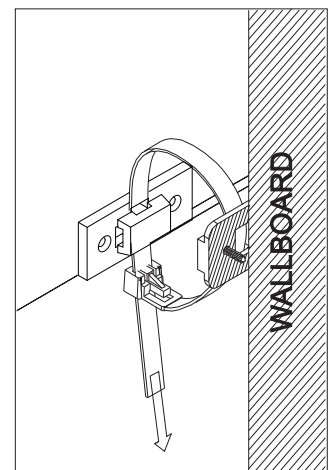
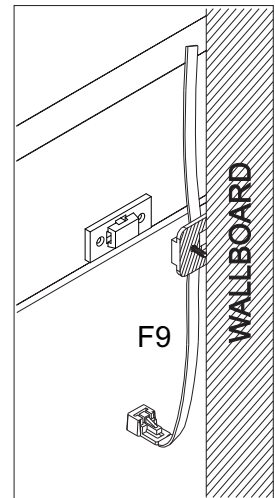
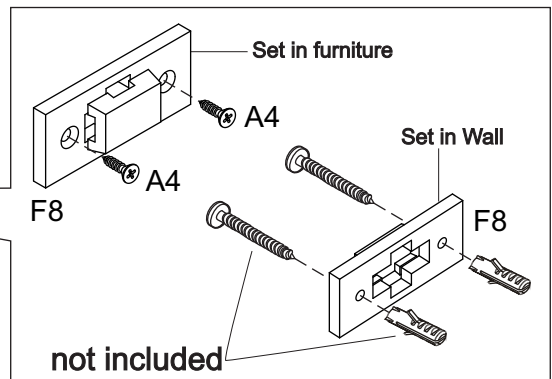
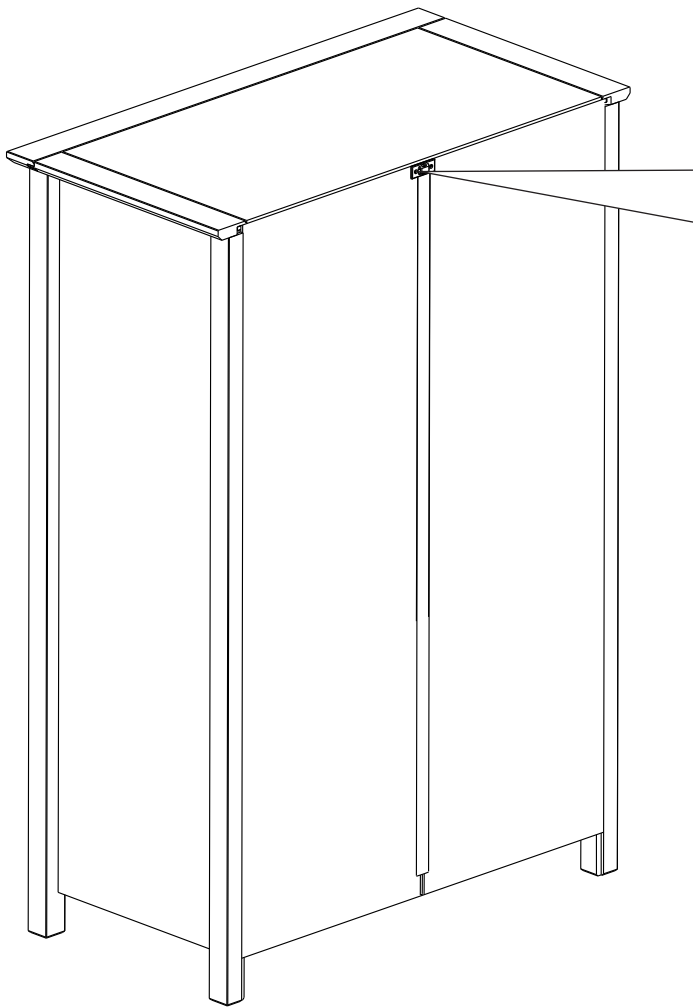
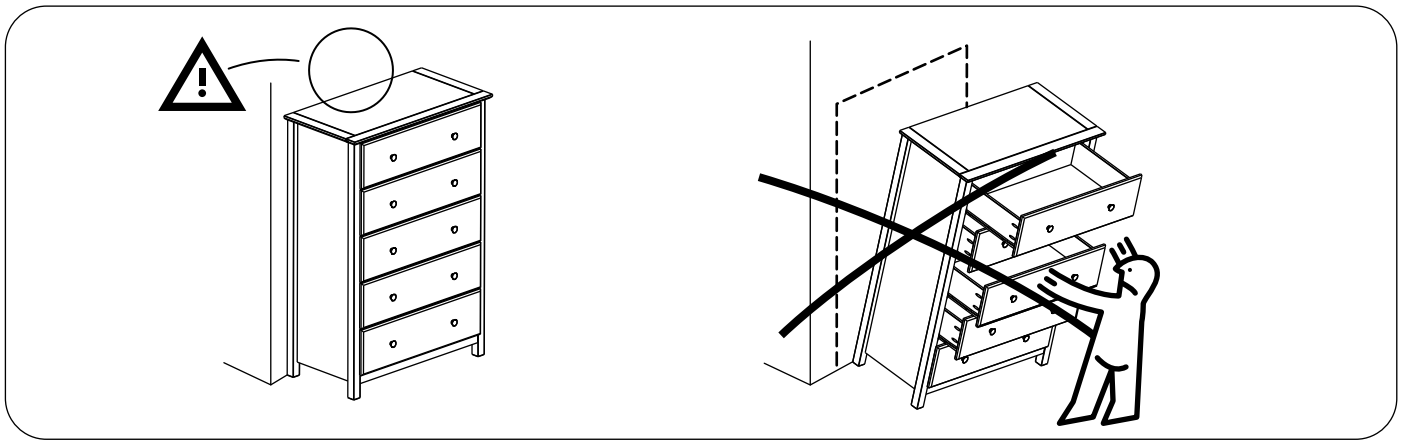
Use of tip-over restraints may only reduce, but not eliminate, the risk of tip-over.


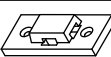

*This a permanent label.
Do not attempt to remove!*



J1		01
----	---	----

13)



A4	 3,5x14	02
F8		02
F9		01