

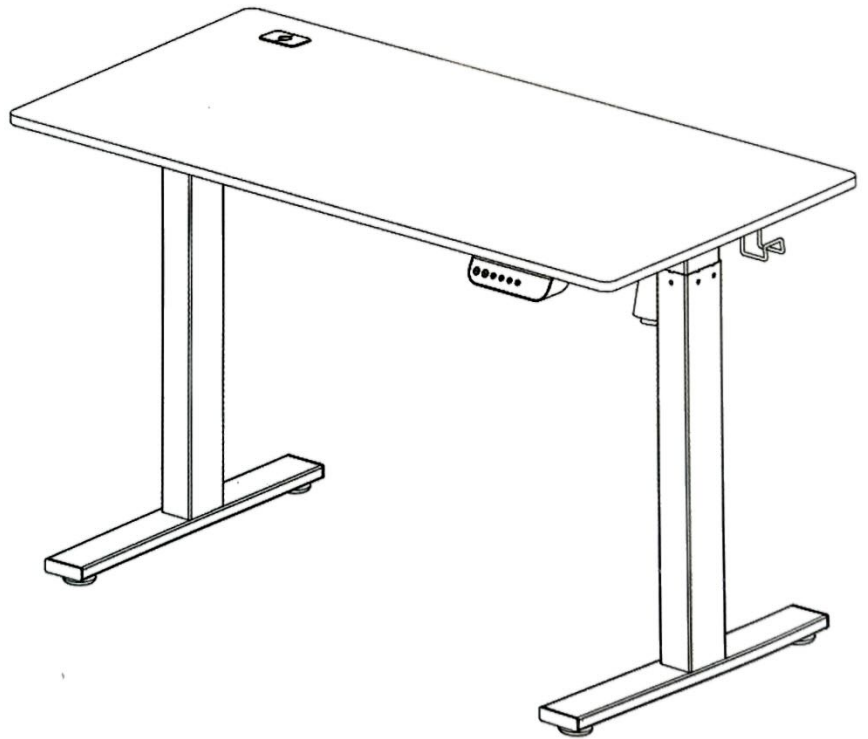


EP Family Corp.

# Assembly Instructions

## SHW 55-Inch Electric Height Adjustable Desk

Model : OD-93A#TS08



For product support, please call  
Toll Free: +1-800-349-0716  
Email: [shw@simplehouseware.com](mailto:shw@simplehouseware.com)

## Assembly Instructions - Important:

Carefully unpack and identify each component before attempting to assemble. Refer to parts list. Please take care when assembling the unit and always place the parts on a clean, soft surface.



### CAUTION

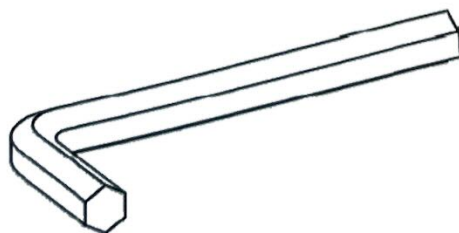
- Do not climb, sit or stand on this piece of Furniture
- Unload items from this unit prior to moving.
- Before loading or moving this unit, check all screws and supports for tightness.

## Care and cleaning:

**Wash Using Warm, Soapy Water:** When it comes time to wash your laminate furniture, you can do so by using a mixture of liquid dish soap and warm water. Rinse with cold water and then dry with a paper towel or soft dish towel. Always rinse your laminate after cleaning. If left unrinsed, cleaning solution or soap will be left on the surface and may cause marring after long periods of time.

## Tools Needed

**WARNING:** Hand tools should always be used to assemble your furniture to avoid damage to the furniture. Use of power tools may strip or damage the parts. Use power tools in **ONLY** those assembly steps where instructed to use power tools.



## 3-Years Limited Warranty

Simple Houseware warrants to the original purchaser that all products are free from defects in materials and workmanship under normal use as described below. Simple Houseware will repair or replace, at its option, to the original purchaser only, defective products or parts for a period of time from the date of purchase.

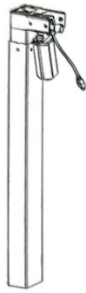
"Defects" as used in this warranty, is defined as any imperfections which impair the use of the furniture or product. Simple Houseware will repair or replace, at its option, without charge to the original purchaser only. This warranty is subject to provisions below. There are no other warranties except as expressly set forth below, either expressed or implied, including any warranty of merchantability for any particular purpose.

Replacement parts can only be supplied if parts are available. Items out of production may be unavailable. This warranty shall be effective for the applicable time period beginning from date of purchase as shown on your original sales receipt. Simple Houseware obligation under this warranty is limited to repairing or residential replacing products or parts as provided herein. This product has been designed for and is intended for use only. This warranty is Original Purchaser's sole remedy for product defects, and this warranty does not extend to any product, or damage to any product, caused by or attributable to abuse or misuse, neglect, alteration, or damage caused by shipment, storage, accident, fire, flood or any acts of God, products used for commercial or rental purposes, use modification of, or attachments to the product, and products or parts not used, maintained, or installed in accordance with the company's installation, maintenance and/or applicable guidelines. Simple Houseware will not be responsible for indirect, special, incidental or consequential damages.

This warranty is limited to merchandise purchased in the United States. Some states do not allow the exclusion or limitation of incidental or consequential damages, so the above limitations or exclusions may not apply to you. This warranty gives you specific legal rights. You may also have other rights which may vary from state to state. Simple Houseware will advise you of the procedure to follow in making warranty claims.

This warranty shall not cover labor or delivery charges. There are no other warranties expressed or implied other than those specifically described. Simple Houseware shall NOT be liable for consequential or incidental damage arising from any product defects.

# Identify all the components



**A** Left Leg With Motor (x1)



**B** Right Leg Without Motor (x1)



**C** Base (x2)



**D** Side Connector (x2)



**E** Side Supporting Bracket (x2)



**L4** Motor Connector (x1)



**G** Motor Rod (x1)



**I** Desk Top Front (x1)



**J** Desk Top Rear (x1)



**K** Controller (x1)



**L** Power Supplier (x1)

# Hardware identification

**M** M6x35 Screws (x8)



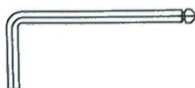
**N** M6x16 Screws (x20)



**O** M4x16 Screws (x2)



**P** 4mm Allen Wrench (x1)



**Q** Dowel (x8)



**R** Velcro Straps (x2)



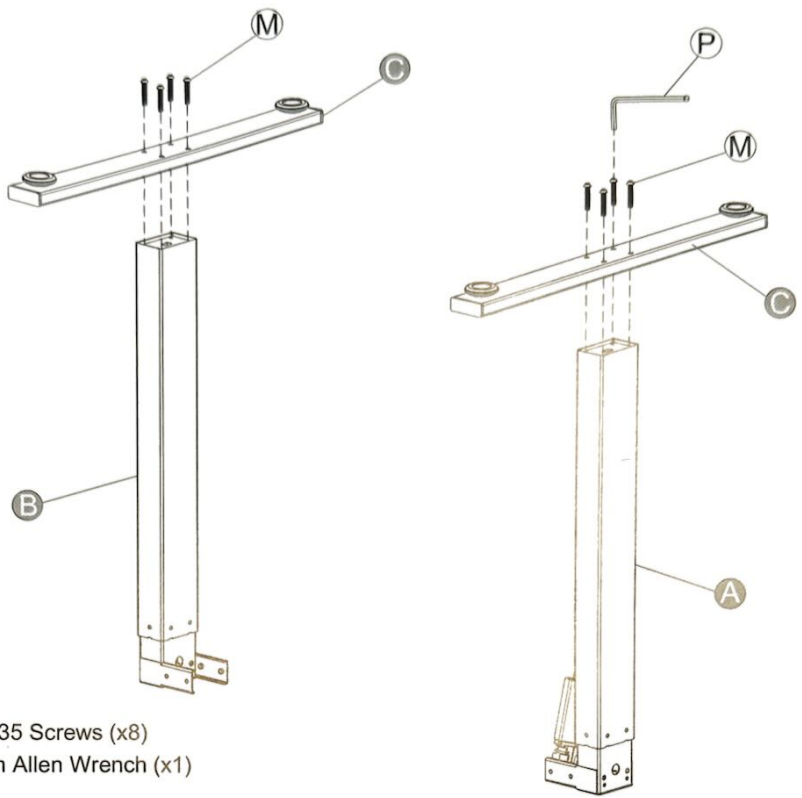
**S** Hooks (x2)



**W** Cable Clamps (x4)

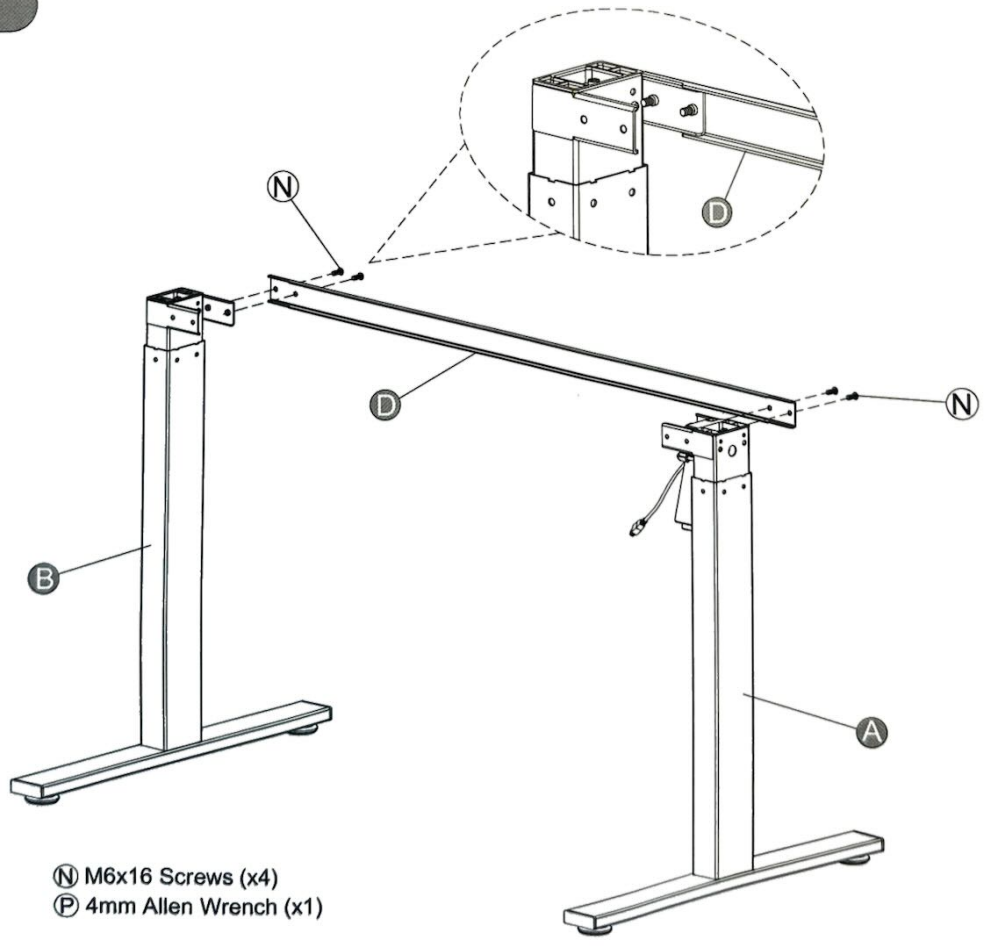


# Step 1



- (M) M6x35 Screws (x8)
- (P) 4mm Allen Wrench (x1)

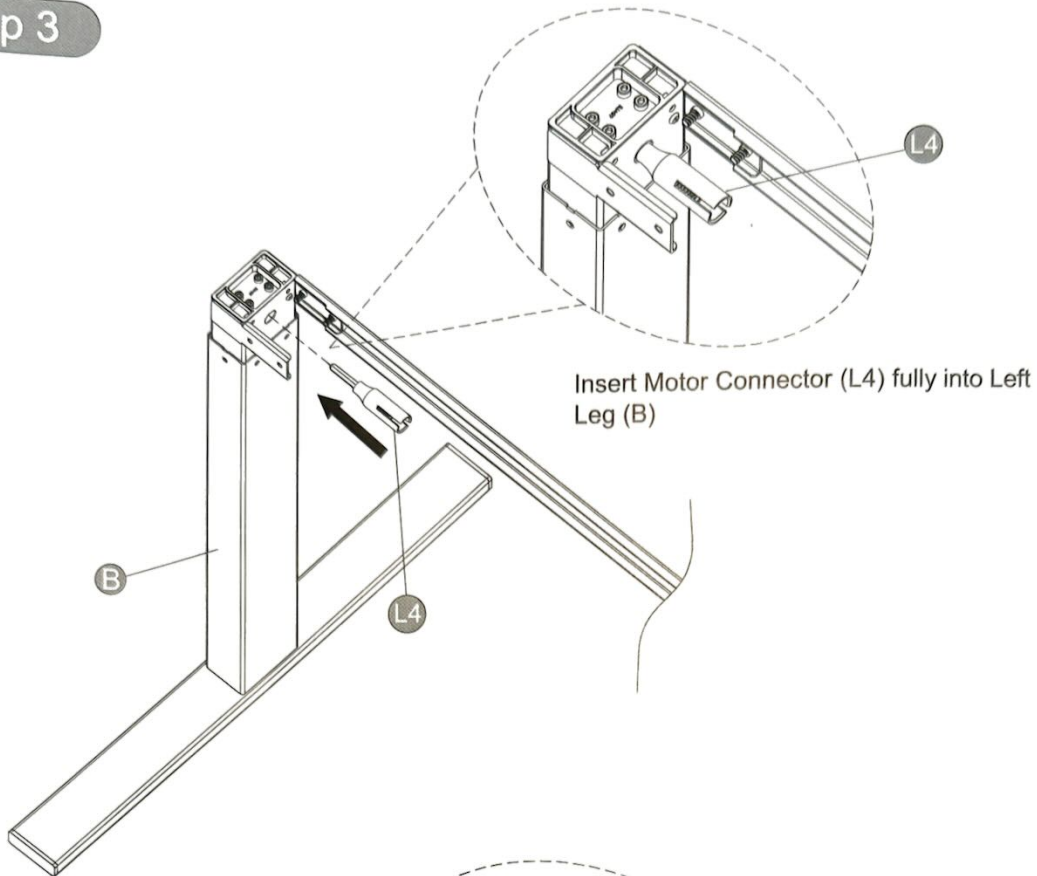
# Step 2



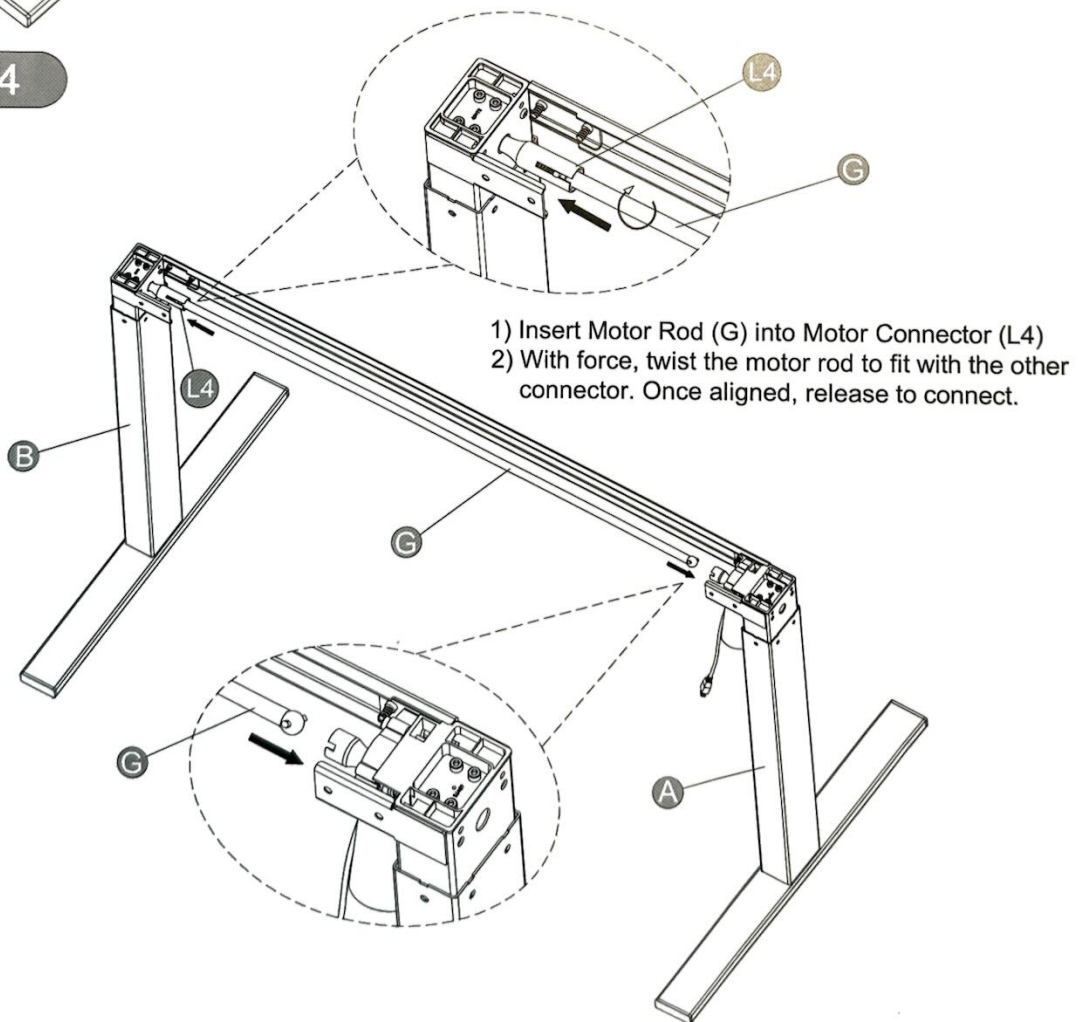
- (N) M6x16 Screws (x4)
- (P) 4mm Allen Wrench (x1)

**Note: Do not tighten screws until all screws have been started**

### Step 3

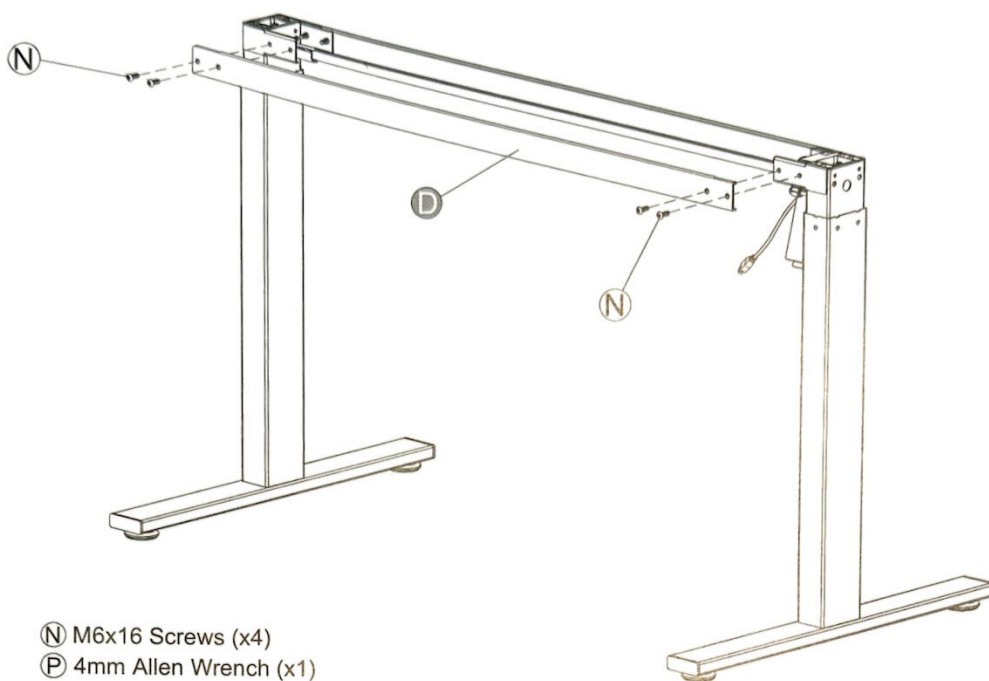


### Step 4



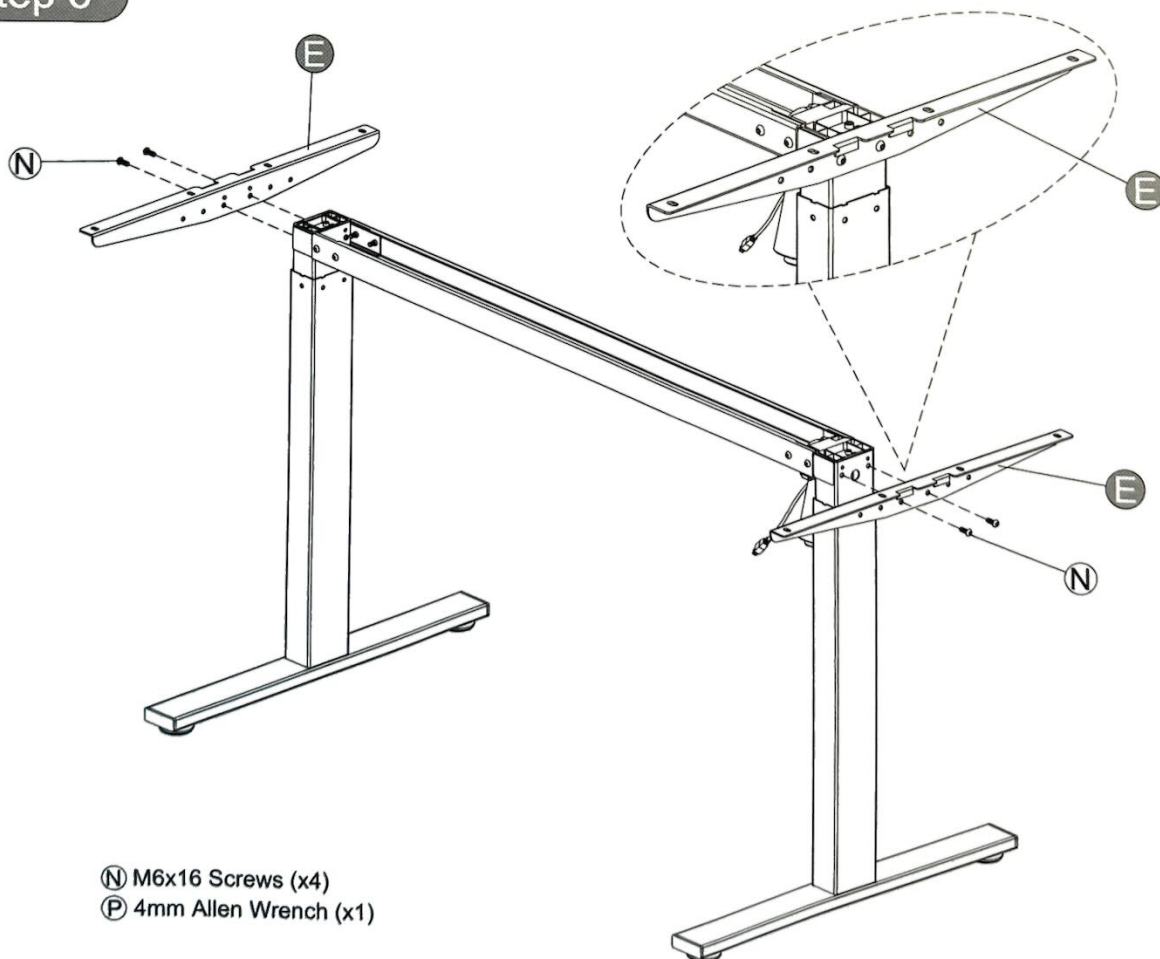
**Note: Do not tighten screws until all screws have been started**

## Step 5



- (N) M6x16 Screws (x4)
- (P) 4mm Allen Wrench (x1)

## Step 6

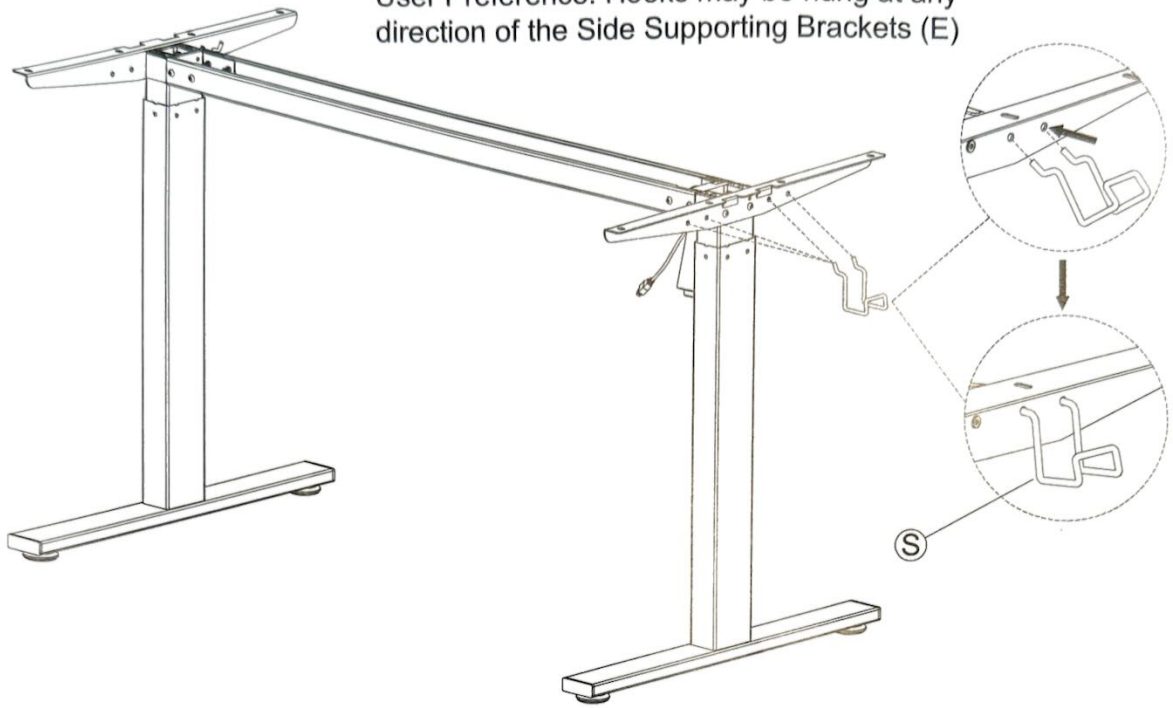


- (N) M6x16 Screws (x4)
- (P) 4mm Allen Wrench (x1)

**Note: Do not tighten screws until all screws have been started**

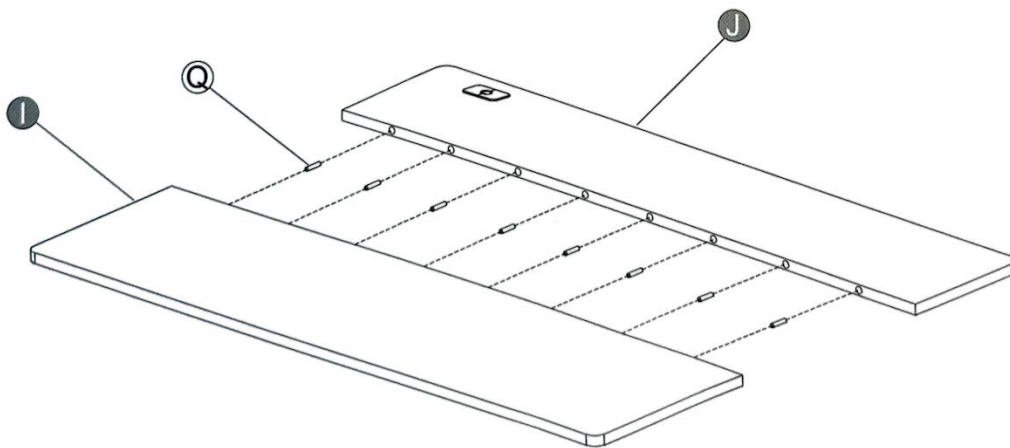
# Step 7

User Preference: Hooks may be hung at any direction of the Side Supporting Brackets (E)



Ⓢ Hooks (x2)

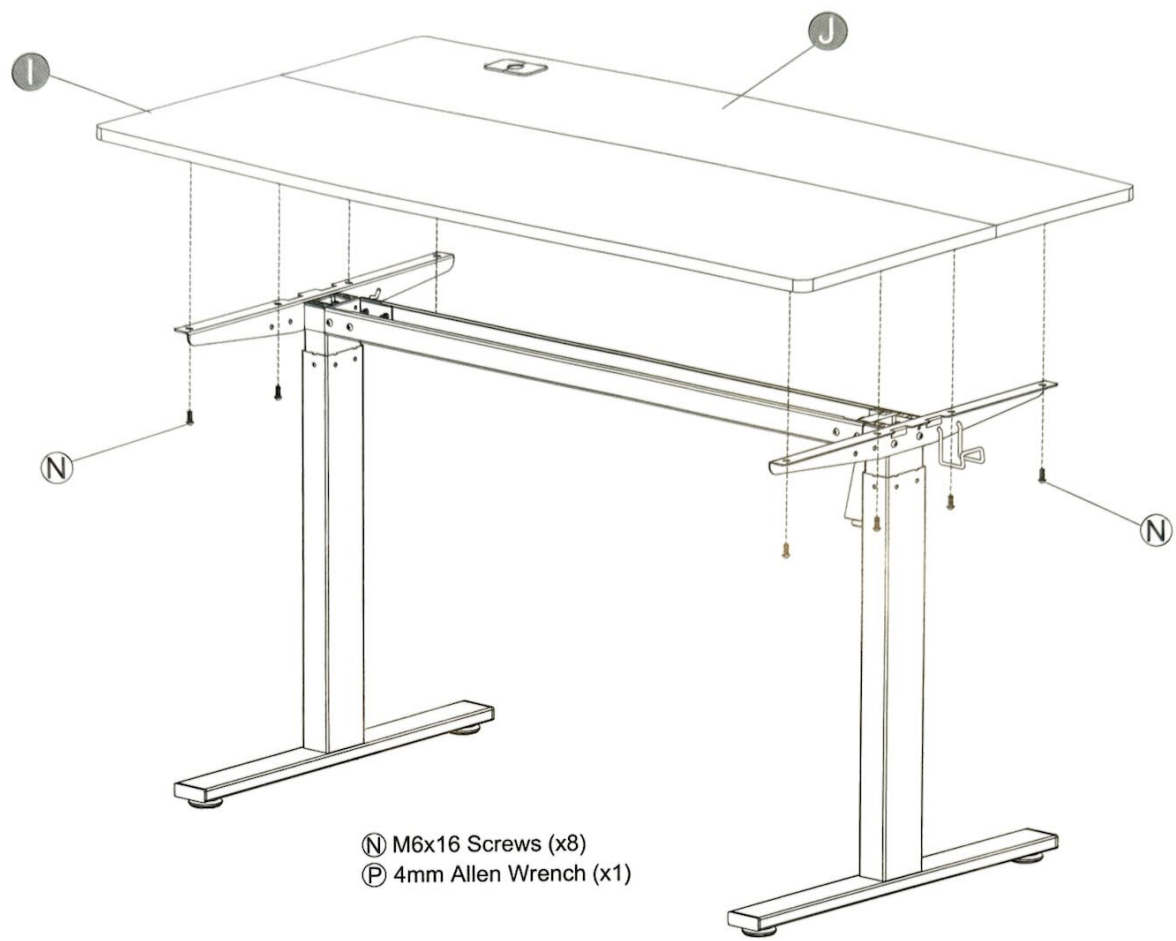
# Step 8



Ⓚ Dowel (x8)

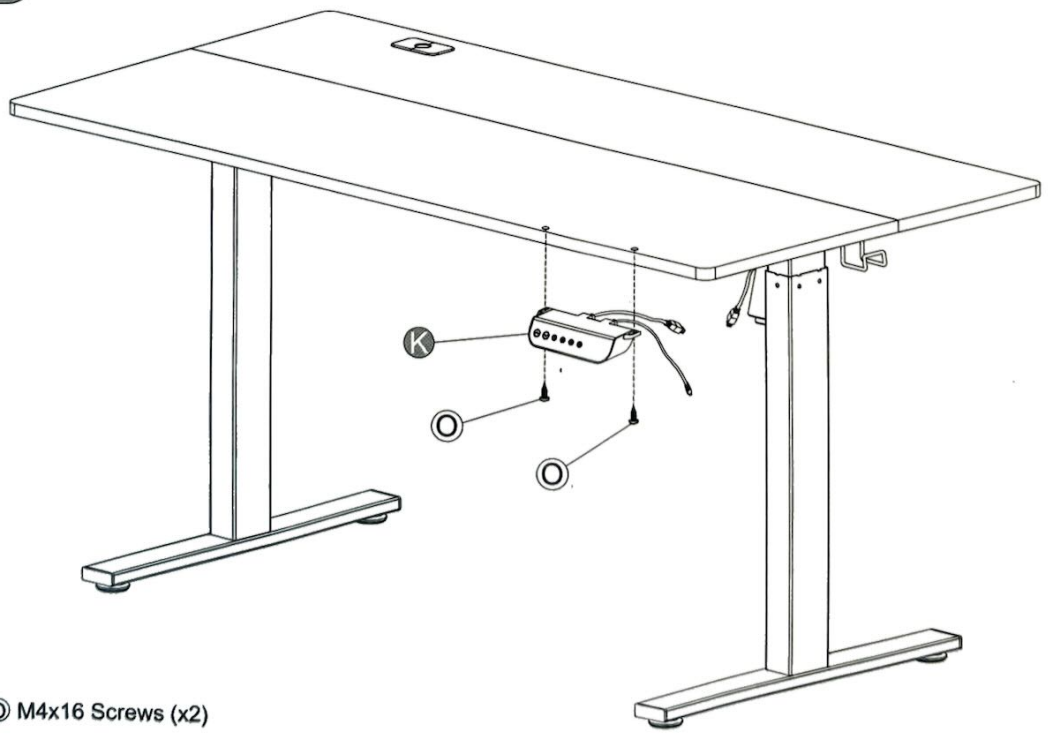
**Note: Do not tighten screws until all screws have been started**

### Step 9



- Ⓝ M6x16 Screws (x8)
- Ⓟ 4mm Allen Wrench (x1)

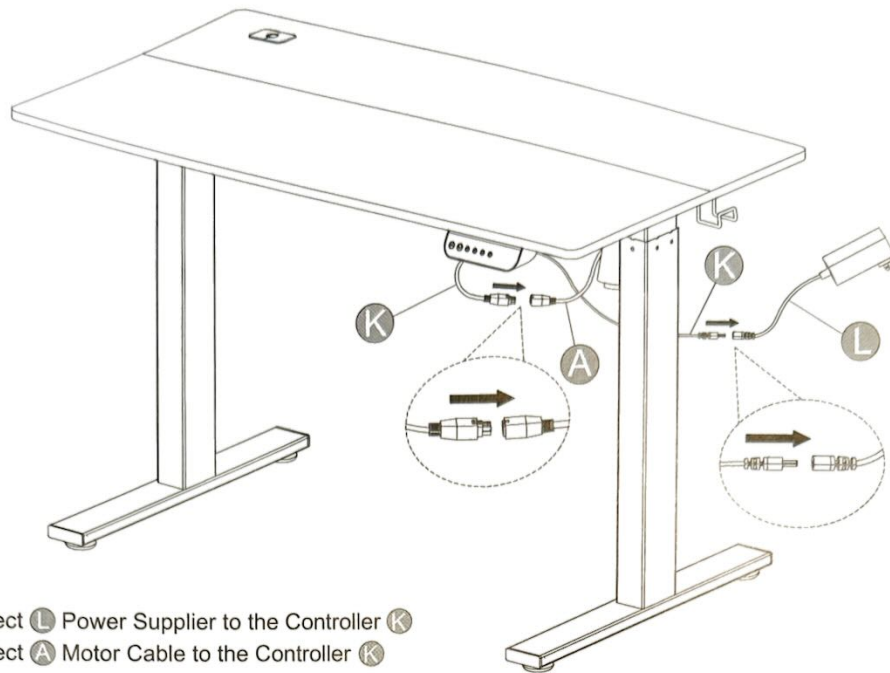
### Step 10



- Ⓞ M4x16 Screws (x2)

**Note: Do not tighten screws until all screws have been started**

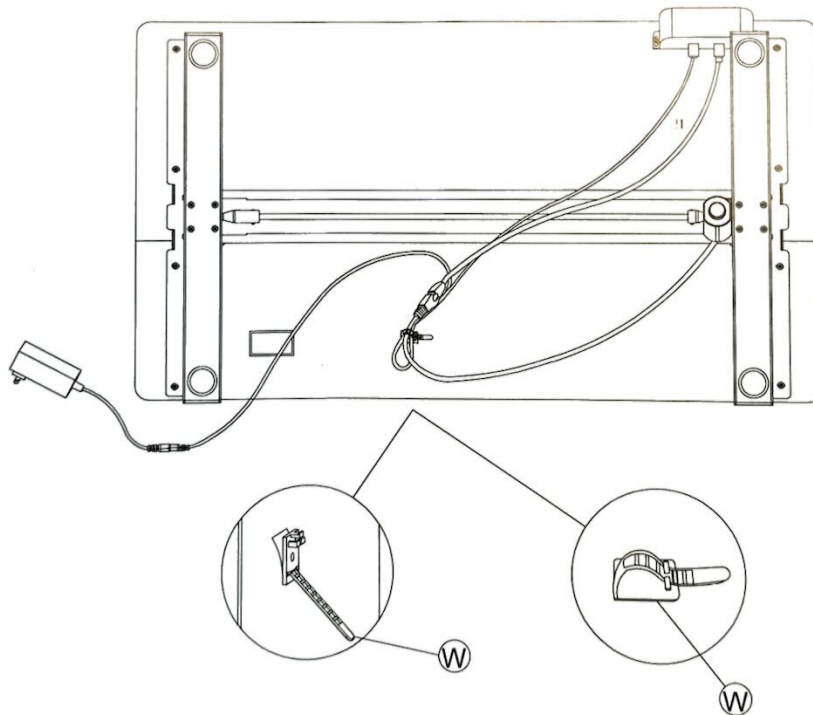
## Step 11






Connect **L** Power Supplier to the Controller **K**  
Connect **A** Motor Cable to the Controller **K**

## Step 12

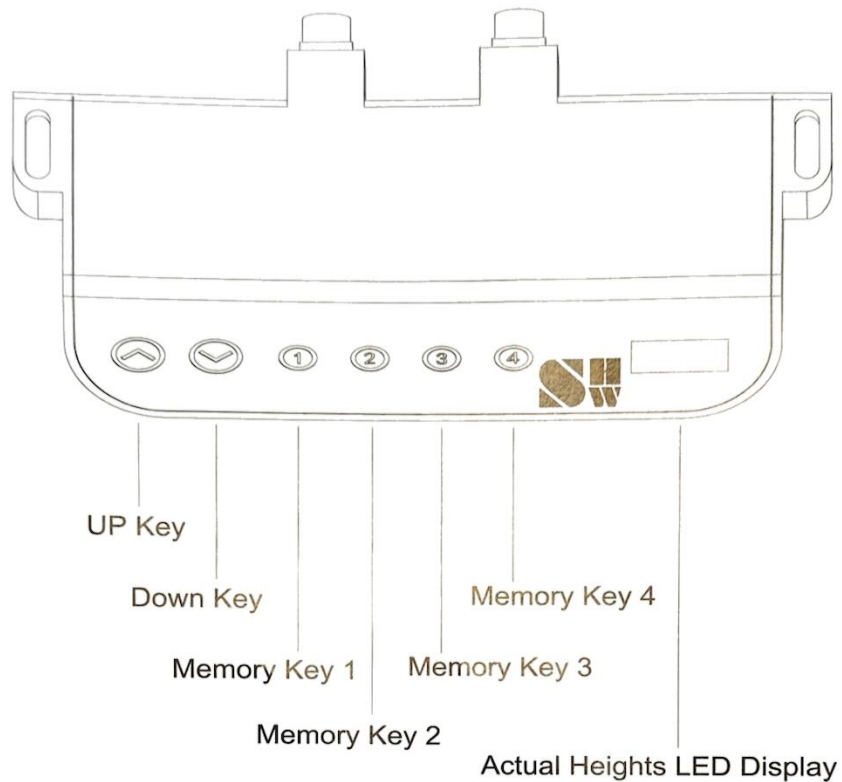
Wire Management: Tidy up with Velcro Straps (R) and Cable Clamps (W) for a clean aesthetic look.









## Initialization / Reset Instructions:

1. Plug the power cable into an "electrical" outlet.
2. Press and hold the down key  until the display shows "Rst".
3. Hold the down key  as the desk lowers to the bottom and back up a little.
4. Release the down key  when the display shows "70.5".

## Height Adjustment Controller operation



- LED Display: Press any key once to wake up the LED display.
- Up Key  : Press and hold the UP key to raise the desk .
- Down Key :  Press and hold the DOWN key to lower the desk.
- Memory Key :    
  - Saving a height setting: Press and hold any numbered key until you hear a beep.
  - Applying a height setting: Press any numbered key and the desk will adjust automatically.

### Notes:

- Stop the desk's movements at any time by pressing any key.
- Height settings will remain when unplugged.

## Initialization Process / Resetting Your Desk

The "Initialization Process" must be done before using the desk for the first time and also for resetting your desk. To reset the desk, press and hold the DOWN key for 10 seconds until the LED display shows "Rst" and the desk will start to slowly lower. Keep holding the DOWN key while the desk is moving and the LED is still showing "Rst". The desk will reach its lowest setting and then move up slightly until the LED shows "70.5". Once the LED displays "70.5", you may release the DOWN key. The "Initialization Process" is now complete.

## Error Code Instructions

Error Code	Reason	Solution
Er1	Motor Line Open Circuit	<ol style="list-style-type: none"><li>1. Disconnect and reconnect all the cable lines from "Part K" and "Part L". The LED will display "Rst".</li><li>2. Press and hold the DOWN key until the desk stops moving and the LED displays "70.5".</li><li>3. If the above step fails, please contact Customer Service at <a href="mailto:shw@simplehouseware.com">shw@simplehouseware.com</a></li></ol>
OL	Low Main Voltage	<ol style="list-style-type: none"><li>1. Weight limit over 110 lbs, please remove some items off the table and try again.</li><li>2. If the above step fails, please contact Customer Service at <a href="mailto:shw@simplehouseware.com">shw@simplehouseware.com</a> for further assistance.</li></ol>
OH	Motor Overheat	<ol style="list-style-type: none"><li>1. Press any key to restart the function.</li><li>2. If the above step fails, please contact Customer Service at <a href="mailto:shw@simplehouseware.com">shw@simplehouseware.com</a> for further assistance.</li></ol>
Rst	Initialization Process	Desk in the process of resetting. Press and hold the DOWN key for the desk to slowly lower until it reaches its lowest setting. Keep holding the DOWN key until it stops moving and the LED displays "70.5" (70.5 cm). The desk may now be operated as normal.