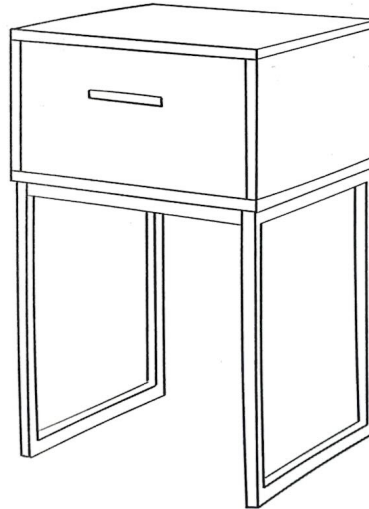


ONE DRAWER NIGHTSTAND

LIFE DOESN'T COME WITH INSTRUCTIONS
BUT THIS DOES



PATENT:
EB1 86 4 - 191
ONE DRAWER NIGHT STAND
SERIES NAME:
S545708387

042022 MARWVLO
0
P2753A TITLE VI CARRERA
Ashley Furniture Industries, LLC
24052 67393
7

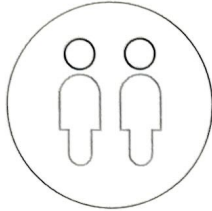
Signature
DESIGN
BY ASHLEY

BUILT FOR
Home

HEADS UP

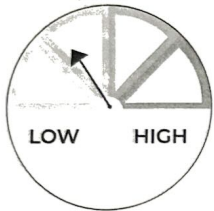


TIME



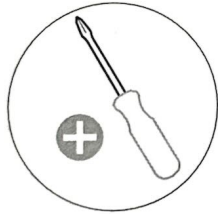
PEOPLE NEEDED

Pro Tip: Choose wisely.
Your sanity depends on it.



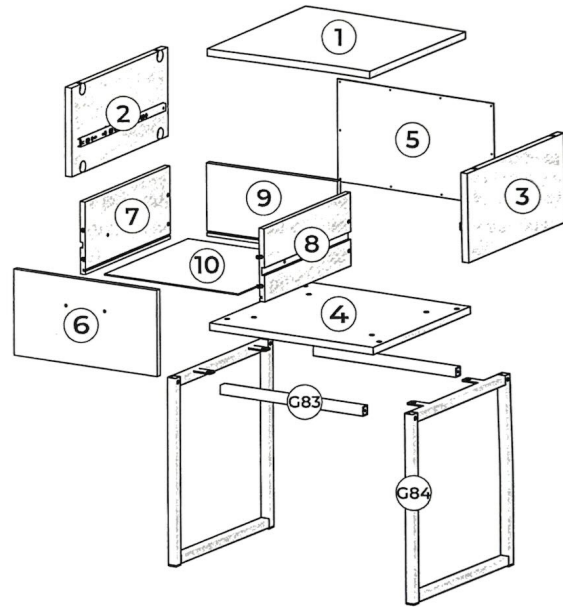
EFFORT SCALE
(you've got this)

BUST OUT



REQUIRED TOOL | REQUIRED TOOL

- ① TOP (1)
- ② LEFT SIDE (1)
- ③ RIGHT SIDE (1)
- ④ BOTTOM (1)
- ⑤ UNIT BACK (1)
- ⑥ DRAWER FRONT (1)
- ⑦ DRAWER LEFT SIDE (1)
- ⑧ DRAWER RIGHT SIDE (1)
- ⑨ DRAWER BACK (1)
- ⑩ DRAWER BOTTOM (1)
- G83 METAL BASE STRETCHER (2)
- G84 METAL SIDE (2)



COMPONENTS

HARDWARE

H21 x10



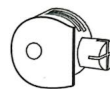
H24 x1



H31 x2



H39 x8



H58 x2



H68 x4



H84 x2



We pre-assembled these to the unit sides for you!
You're welcome!

G80 x4



G81 x4



G6 x4

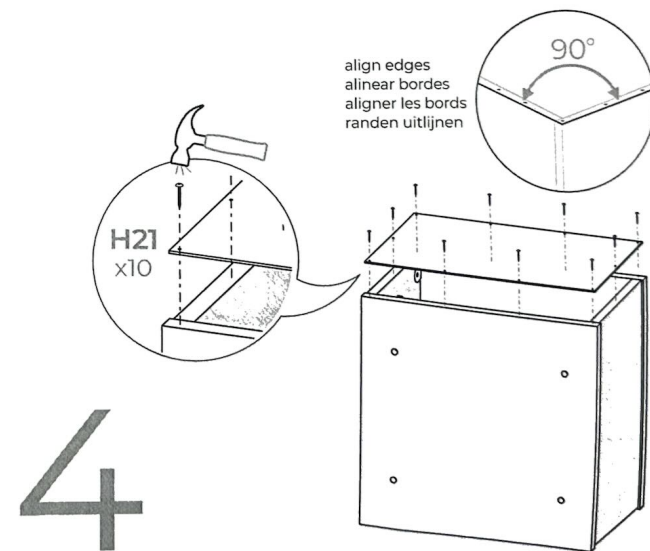
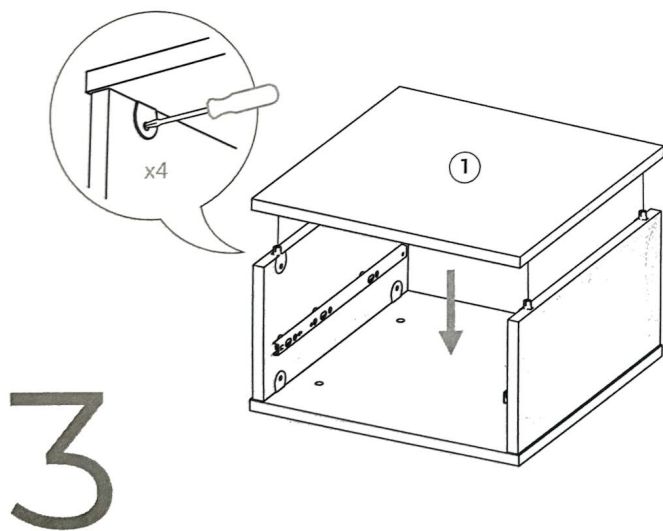
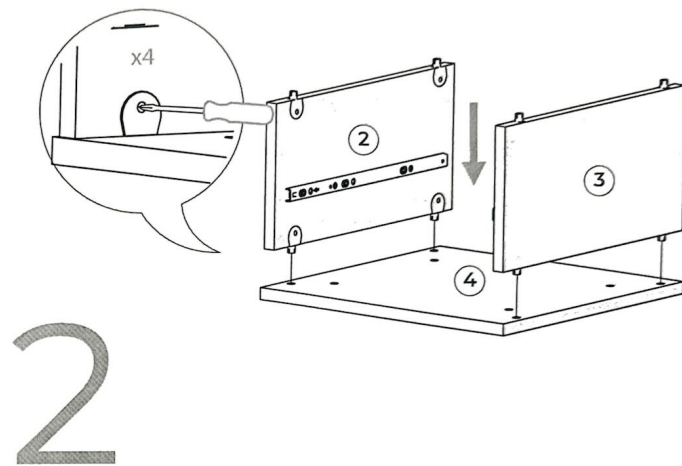
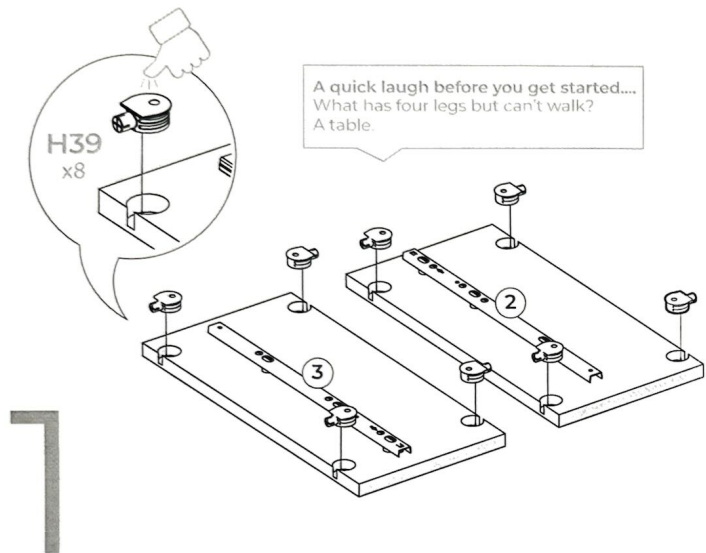


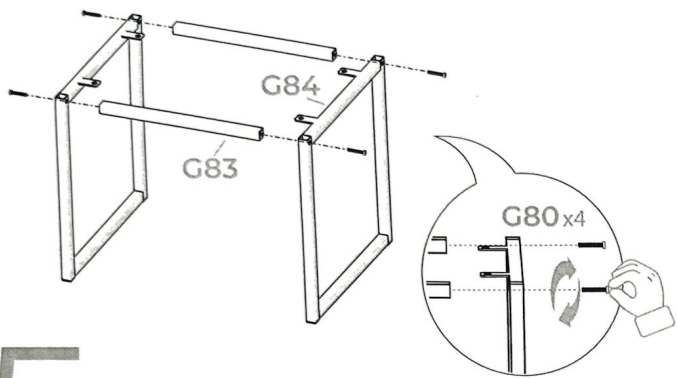
G7 x4



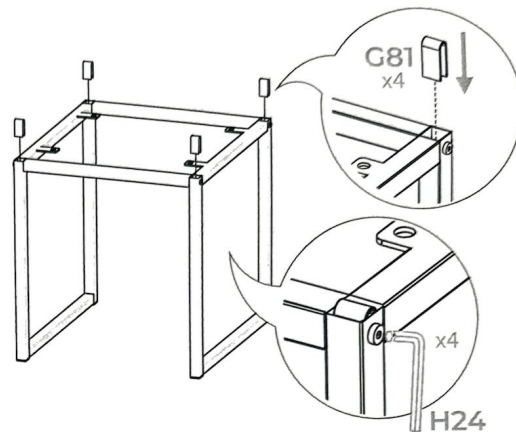
G31 x1



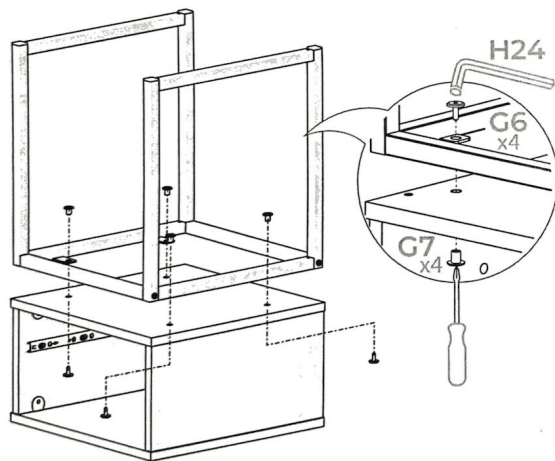




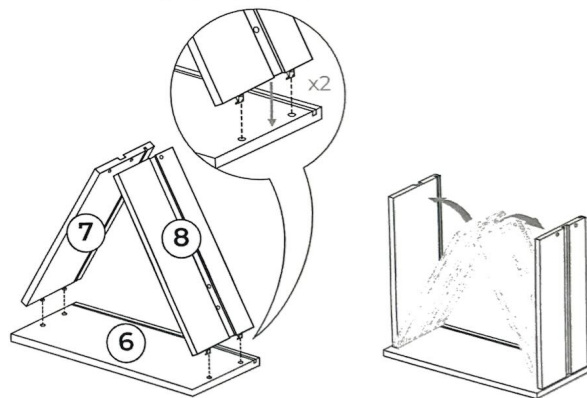
5



6



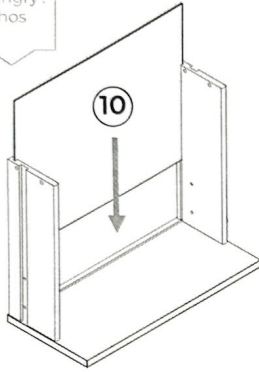
7



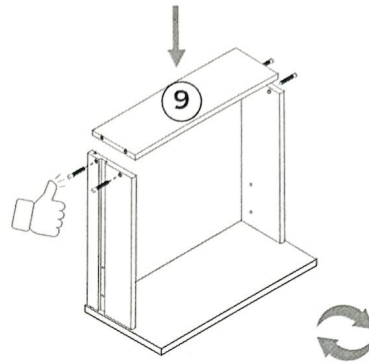
8

Do Not Overextend, risk of Damage!
 No sobreextender, riesgo de daños!
 Ne pas prolonger, risque de dommages!
 Overbelast niet, risico op schade!

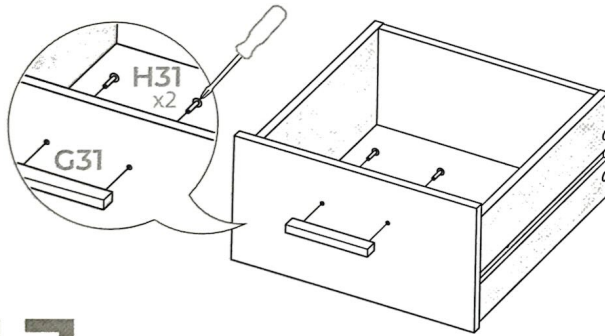
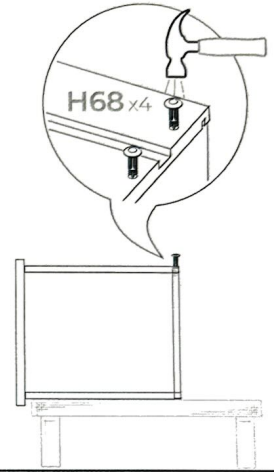
Side Step: Getting hangry?
Try adding some nachos
to this step.



9

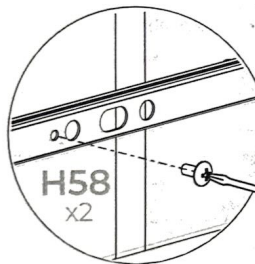
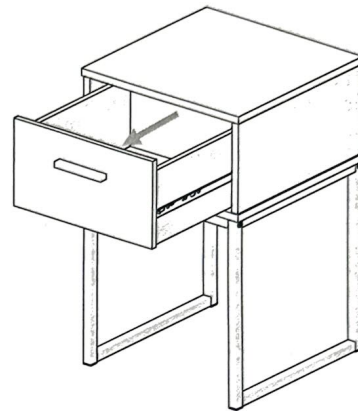
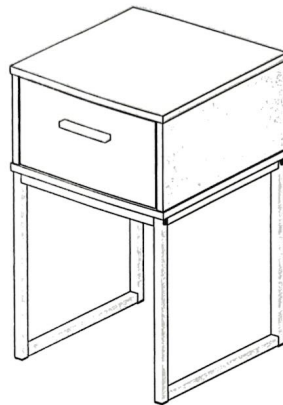
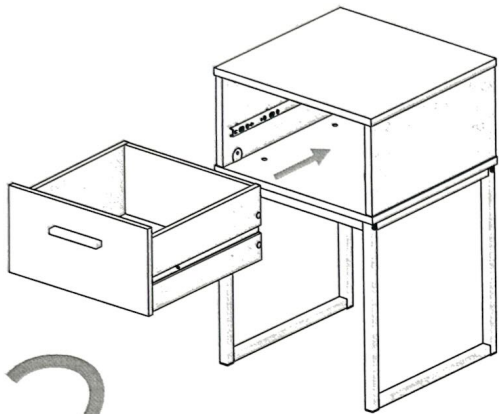


10

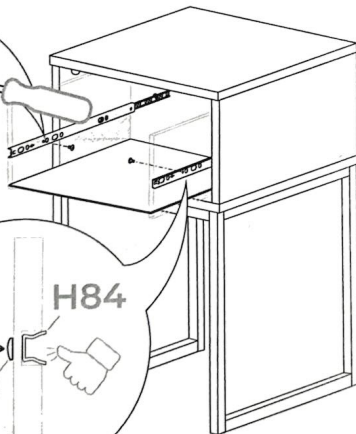


11

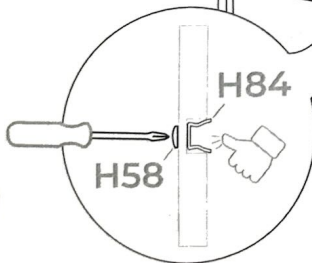
12



Apply pressure to glide for screw to engage.
Aplique presión para deslizar el tornillo para que encaje.
Appliquez une pression pour glisser pour que la vis s'engage.
Oefen druk uit om te glijden om de schroef vast te zetten.



13



Welcome

TO THE ARTISAN CLUB

Now Get Social With US

Share your #AshleyFurniture style
with us @AshleyHomestore

    ashleyfurniture.com

