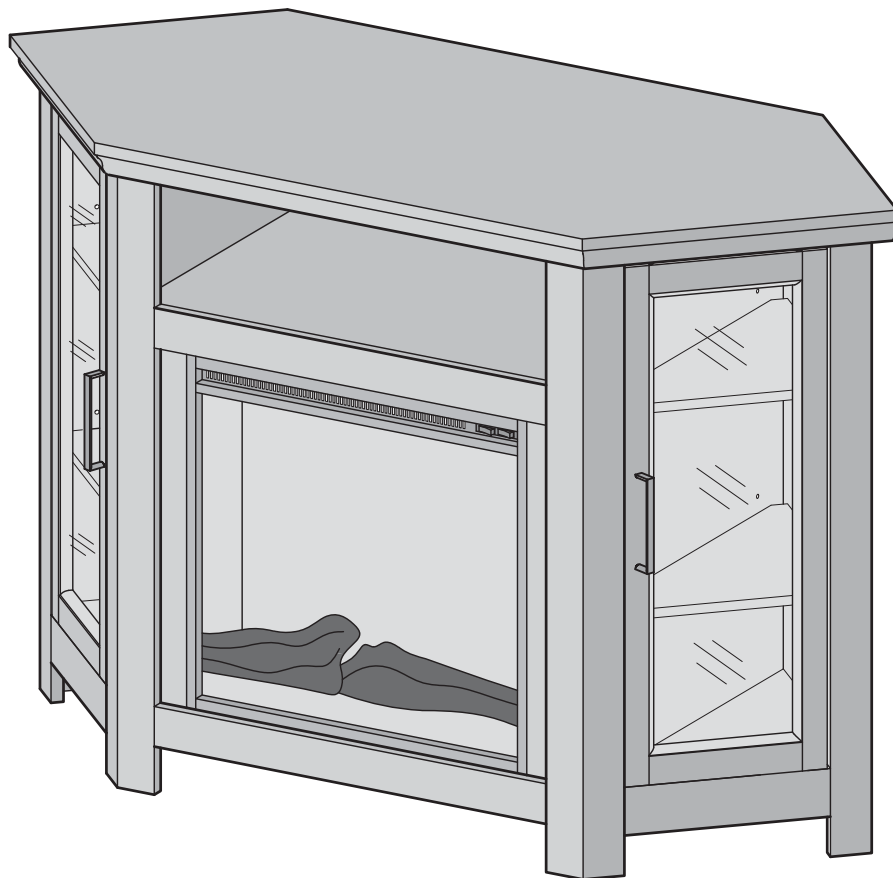


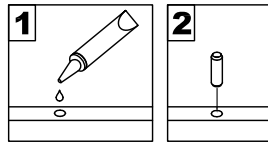
## Assembly Instructions



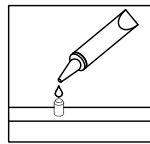
*Please visit our website for the most current instructions, assembly tips, report damage, or request parts.*

# General Assembly Guidelines

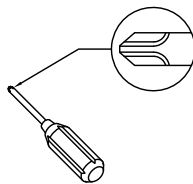
- I. Ensure that all parts and hardware are available before beginning assembly.
- II. Follow each step carefully to ensure the proper assembly of this product.
- III. Two people are recommended for ease in the assembly of this product.
- IV. The three main types of hardware used to assemble this product are : wood dowels , screws and bolts.
- V. The provided glue is to secure wood dowels in place . When first inserting dowels , locate the appropriate hole for the dowel , place a small amount of glue in the hole and insert the dowel . Wipe away excess glue immediately.



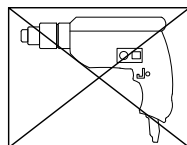
In future assembly steps when dowels are necessary to attach assembly parts together , place a small amount of glue on the end of the dowel before attaching parts together . Wipe away excess glue immediately.



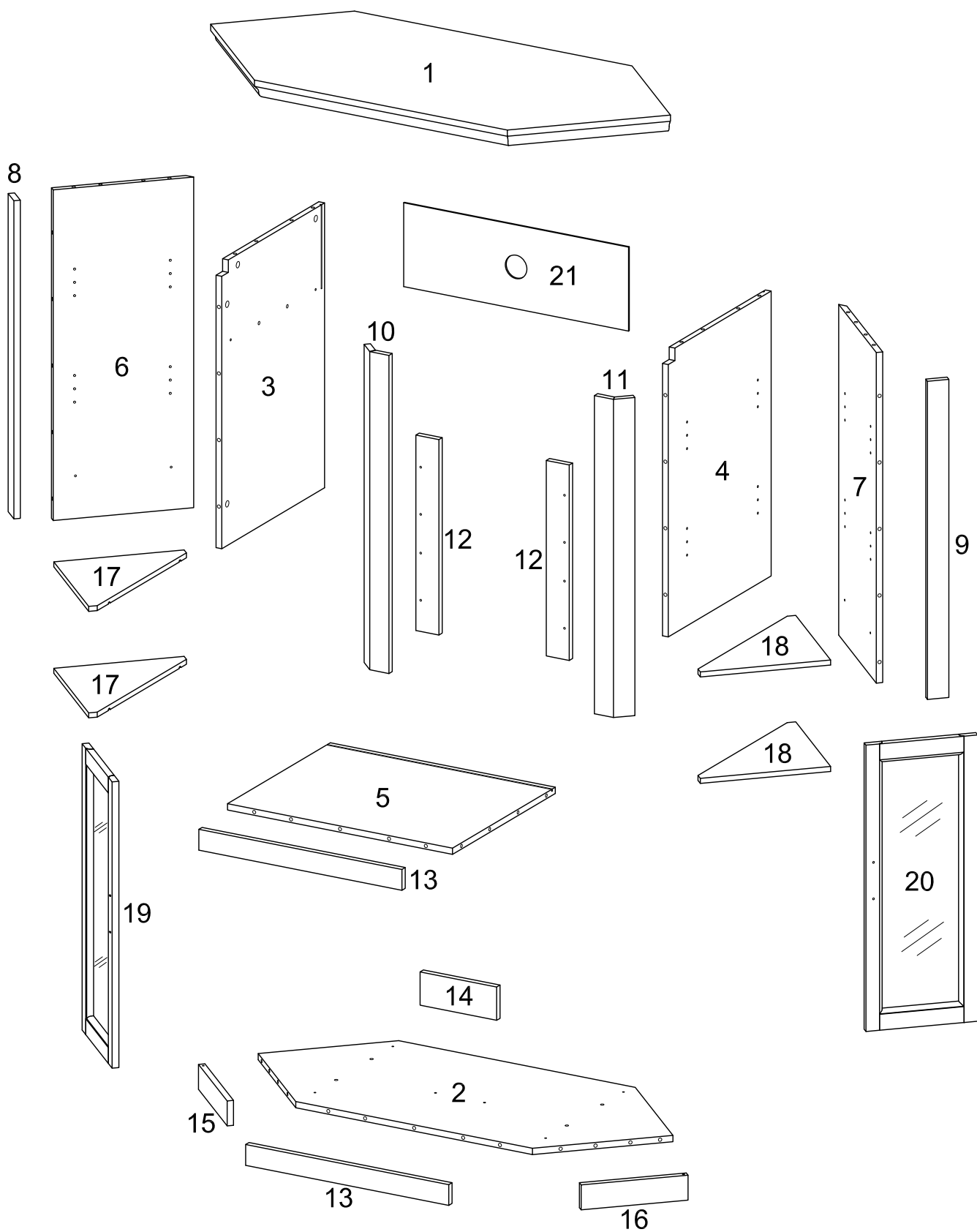
- VI. A Phillips head screwdriver is required for the assembly of this product .








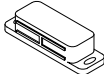

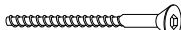

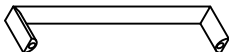

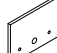
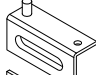
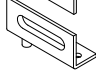


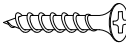





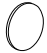

- VII. Power tools should not be used to assemble this product .

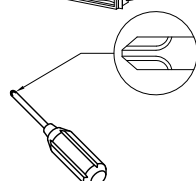


# Parts List



# Hardware List

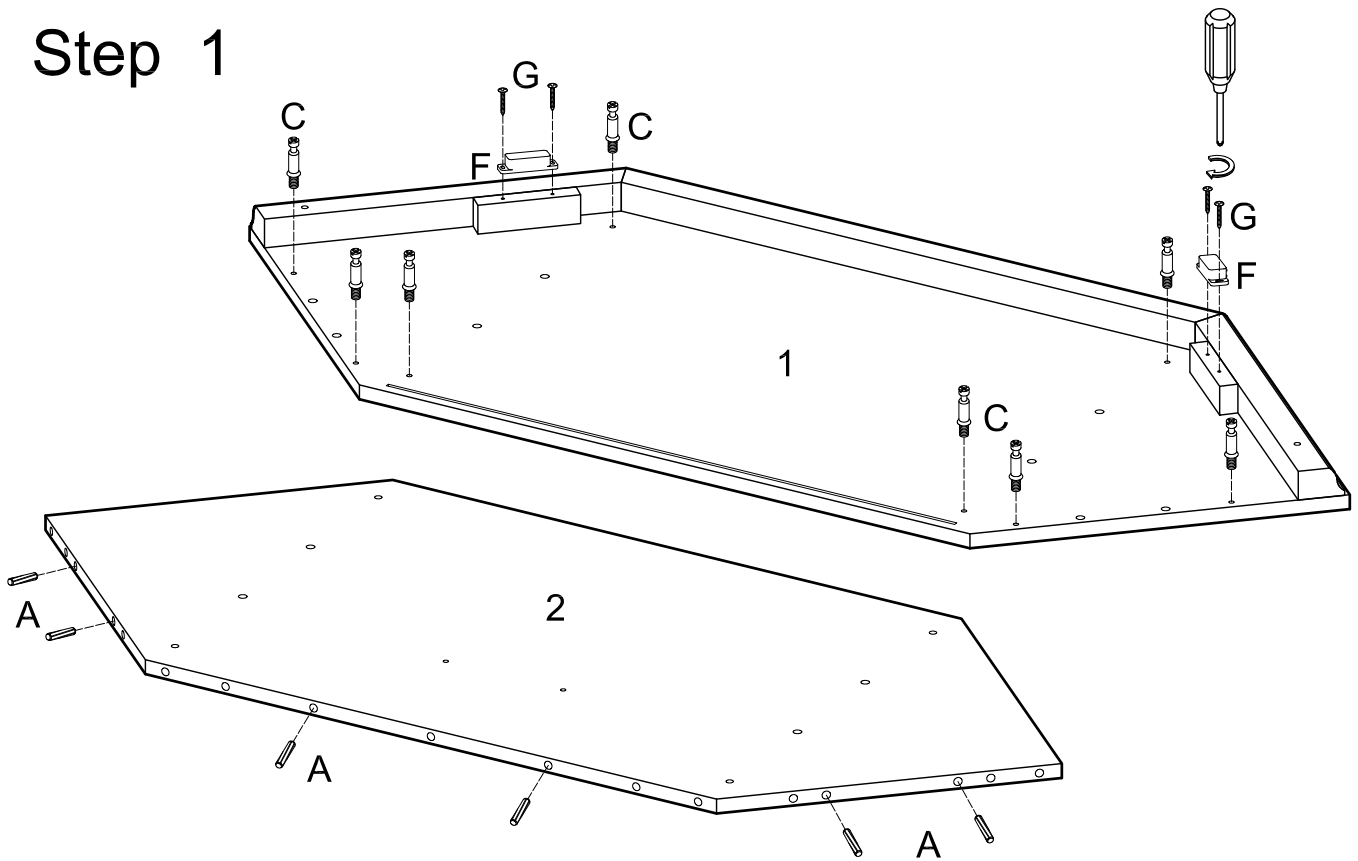
A		Ø8x30mm	Wooden dowel	34 pcs
B		Ø8x20mm	Wooden dowel	4 pcs
C		Ø8x30mm	Cam bolt	36 pcs
D		Ø15x12mm	Cam lock	28 pcs
E		Ø15x9mm	Cam lock	8 pcs
F			Door stopper	2 pcs
G		Ø3x15mm	Screw	4 pcs
H		Ø6x50mm	Screw	8 pcs
J		Ø3x12mm	Screw	10 pcs
K		133x25mm	Handle	2 pcs
L		Ø5/32"x22mm	Screw	4 pcs
M		30x20mm	Metal piece	2 pcs
N		40x15.5x15mm	Door Hinge	2 pcs
P		40x15.5x15mm	Door Hinge	2 pcs
Q		Ø9.5x12mm	Plastic pivot	4 pcs
R		Ø5x17mm	Shelf support pin	16 pcs
S		Ø4x25mm	Screw	4 pcs
T			Plastic wedges	4 pcs
U		Ø3x17mm	Screw	4 pcs
V		Ø3x12mm	Screw	6 pcs
W		Ø4mm	Wrench	1 pc
X			Glue tube	2 pcs
Y		Ø30mm	Sticker	40 pcs
Z			Fireplace Insert	1 pc



Philips head screwdriver required for assembly  
(not included)

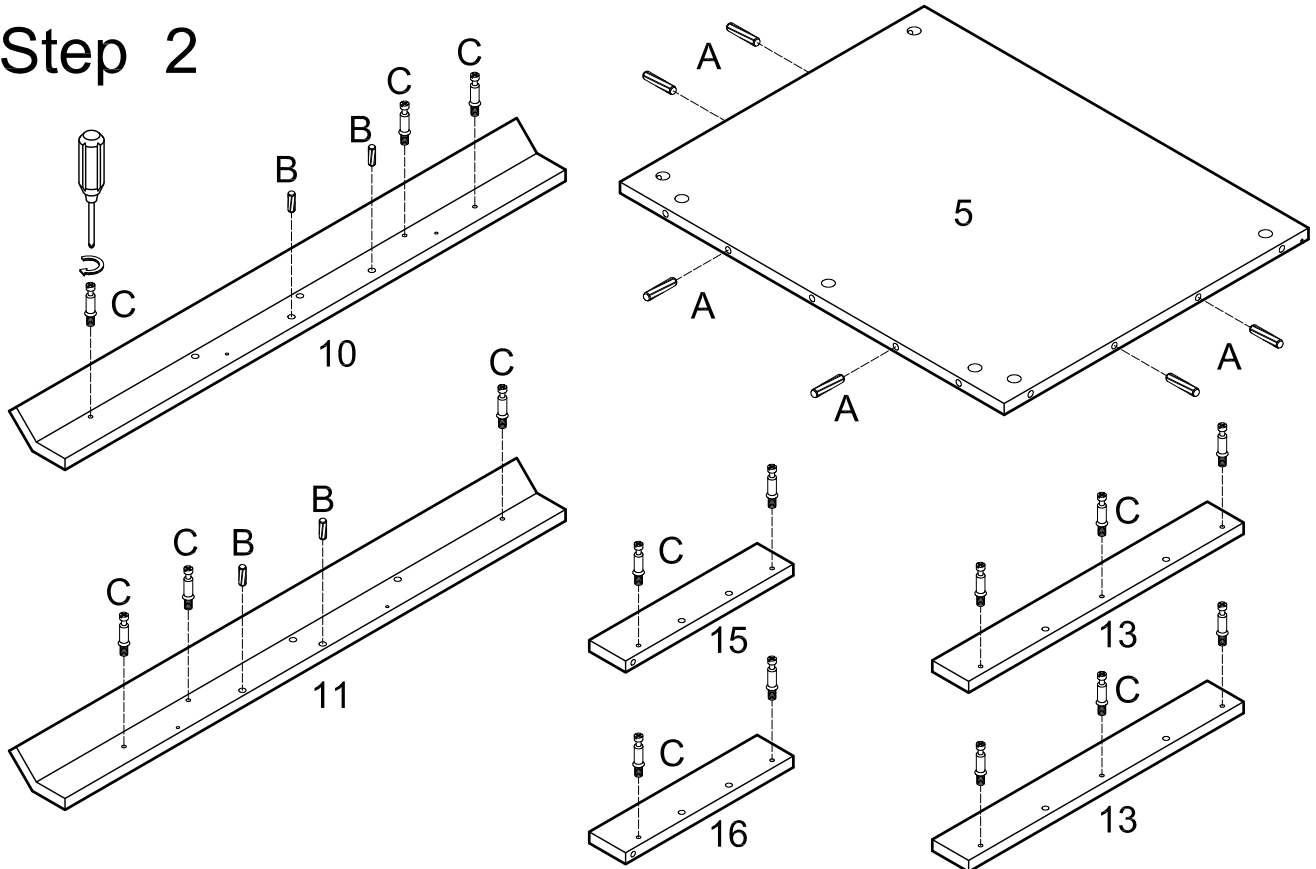
*The hardware quantities listed above are required for proper assembly.  
Some extra hardware may also have been included.*

# Step 1



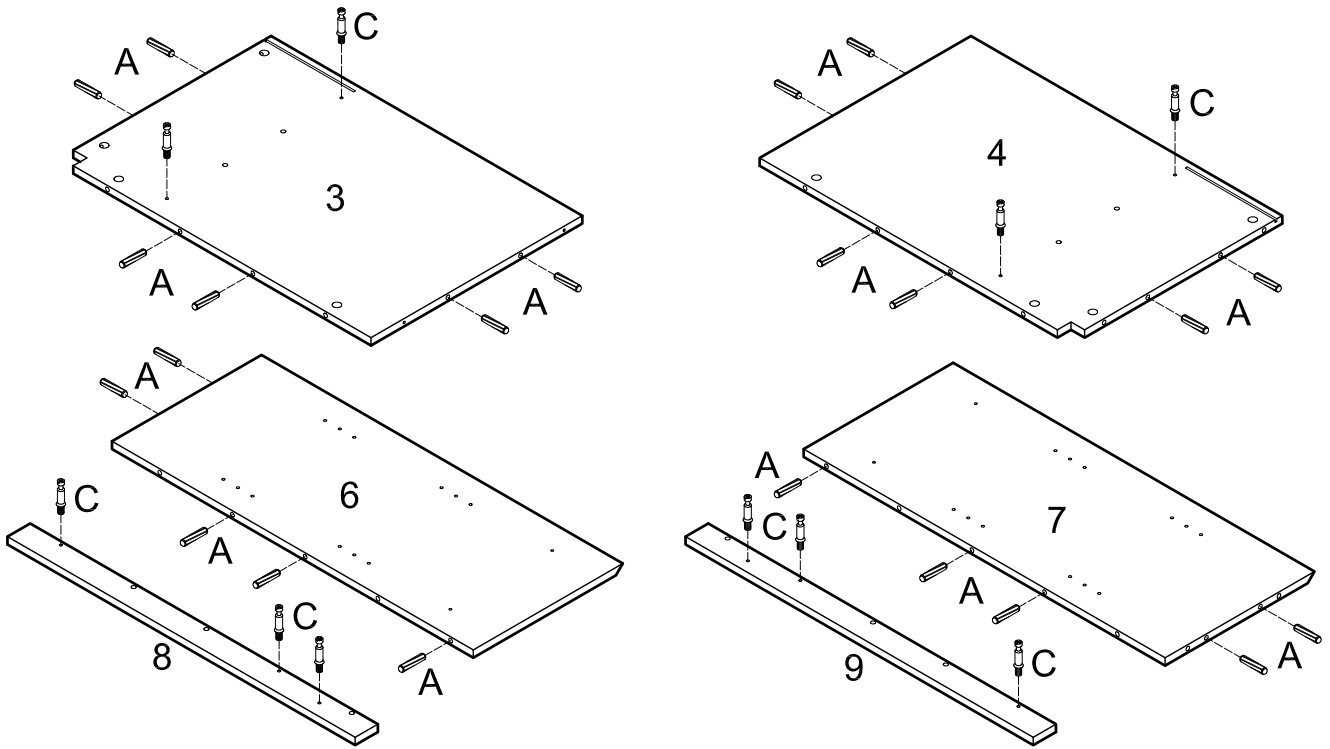
Insert the cam bolts (C) and door stopper (F) into the top panel (1) by using screws (G).  
Insert the wooden dowel (A) to the bottom panel (2).

# Step 2



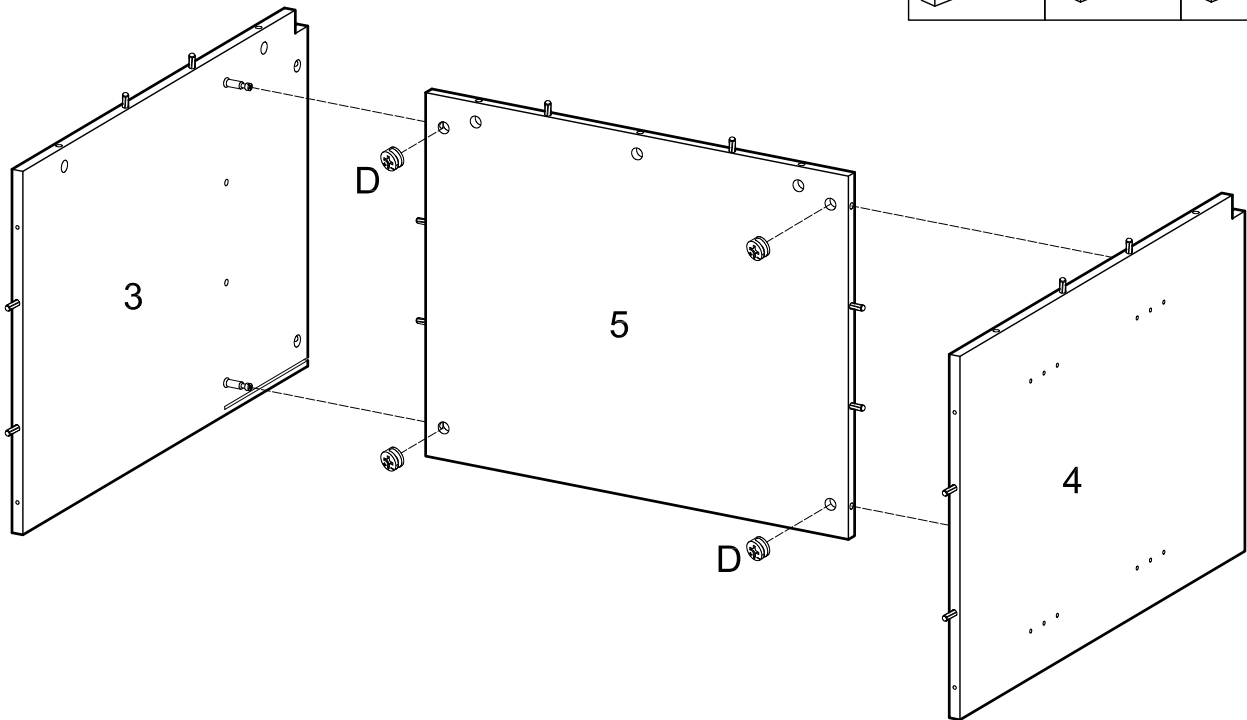
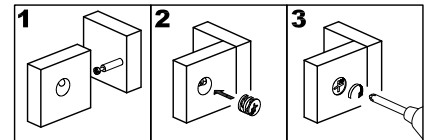
Insert the cam bolts (C) to the front panel (10,11,13,15,16). Insert the wooden dowel (B) to the front panel (10)(11) and wooden dowel (A) to middle panel (5).

# Step 3



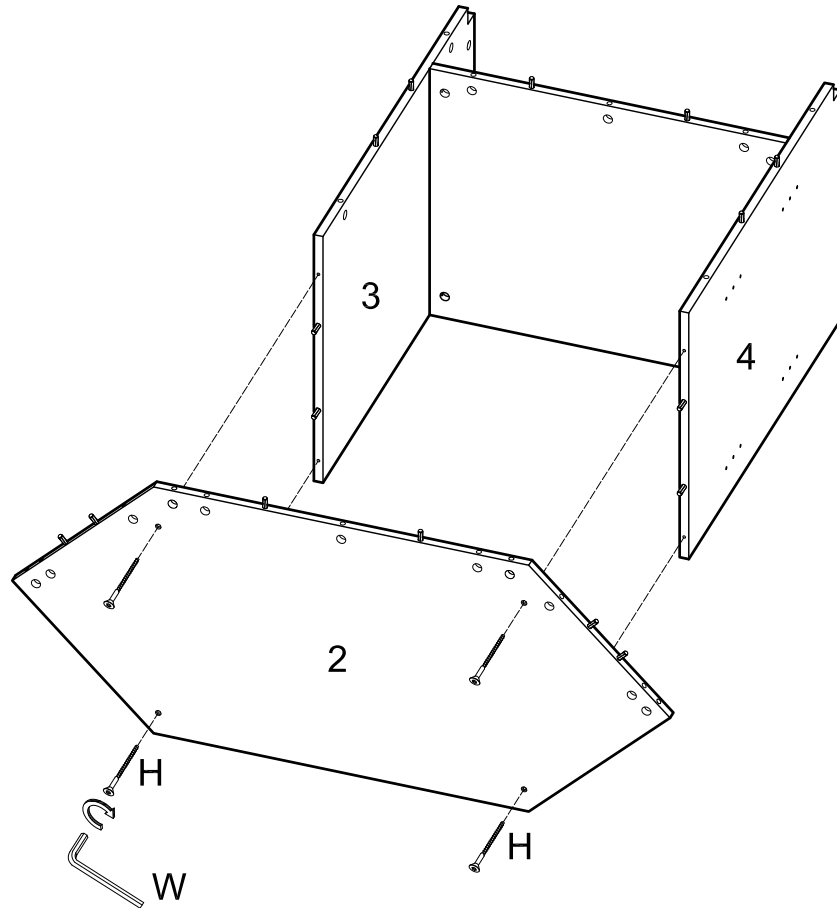
Insert the wooden dowel (A) into the side panel (3,4,6,7).  
Insert the cam bolts (C) into the side panel (3,4,6,7) and front panel (8)(9).

# Step 4



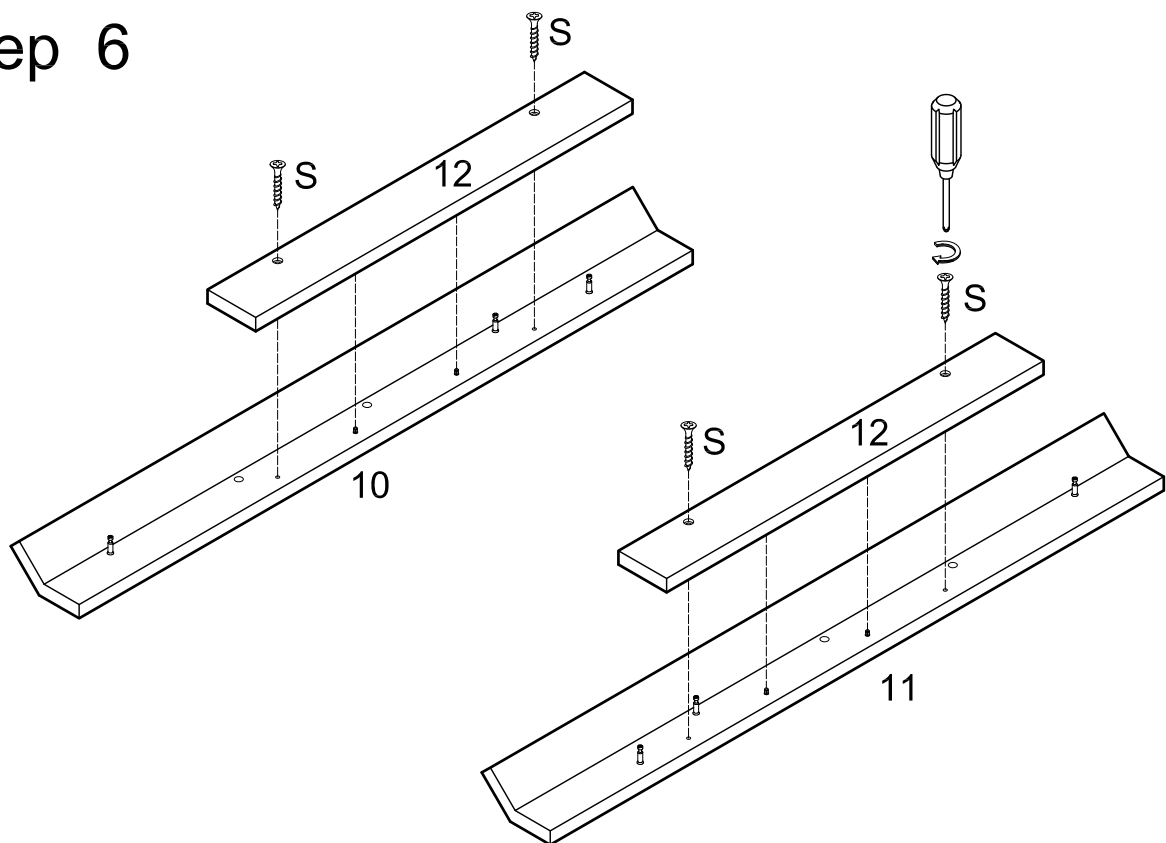
Attach the side panel (3)(4) to the bottom panel (5) and secure it with the cam locks (D).

## Step 5



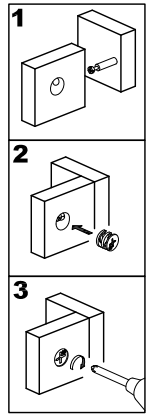
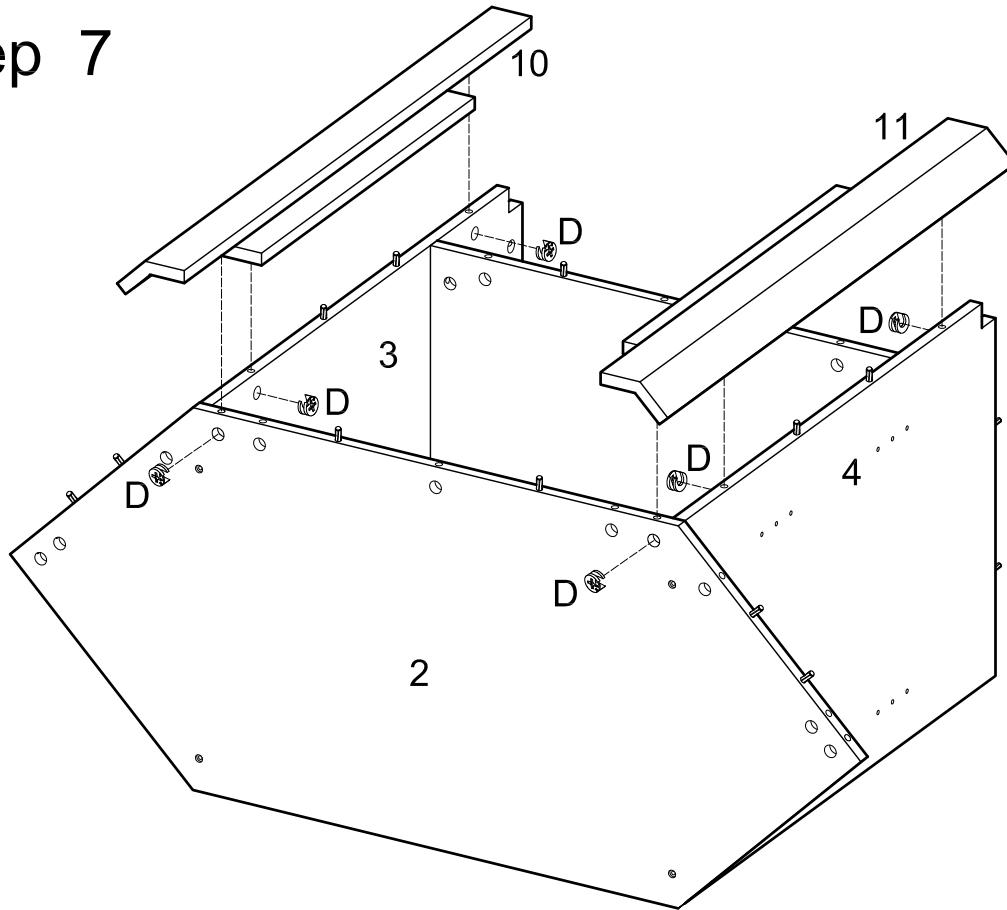
Attach the bottom panel (2) to the side panel (3)(4) and secure it with screw (H) and wrench (W).

## Step 6



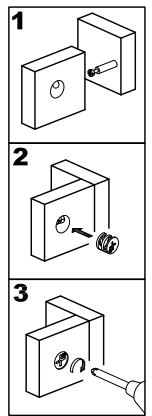
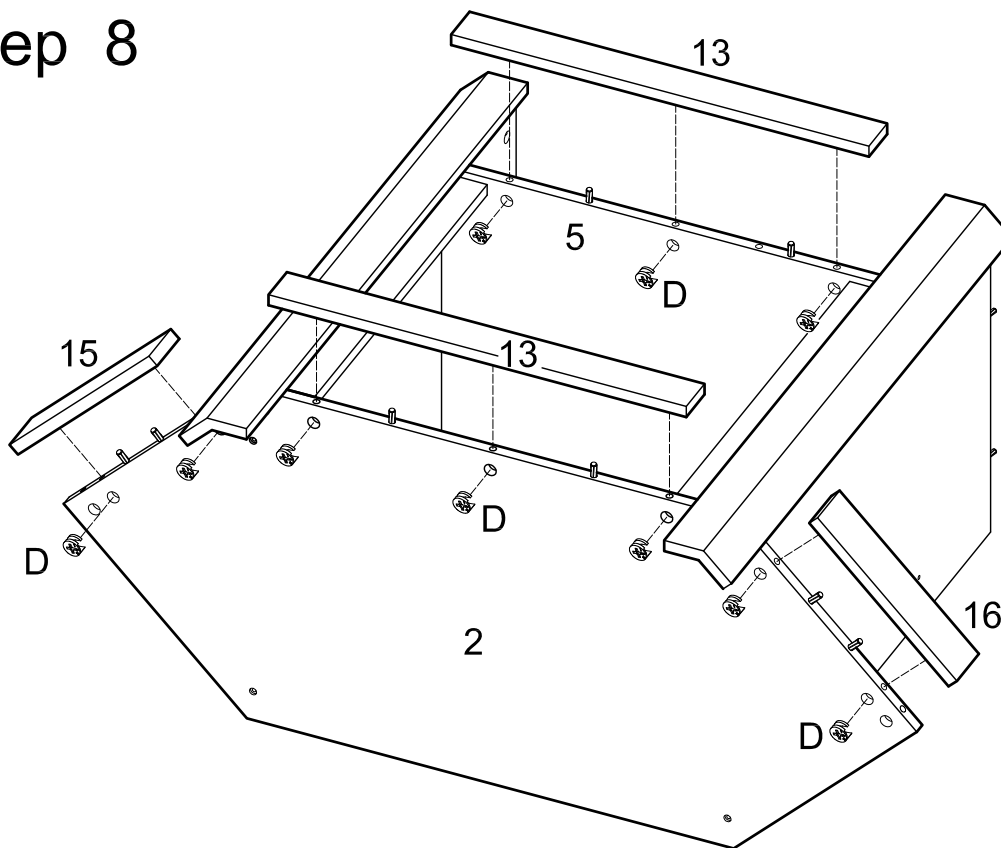
Attach the support slats (12) to the front panel (10)(11) and secure it by using screw (S).

## Step 7



Attach the front panel (10)(11) to the side panel (3)(4) and secure it by using cam locks (D).

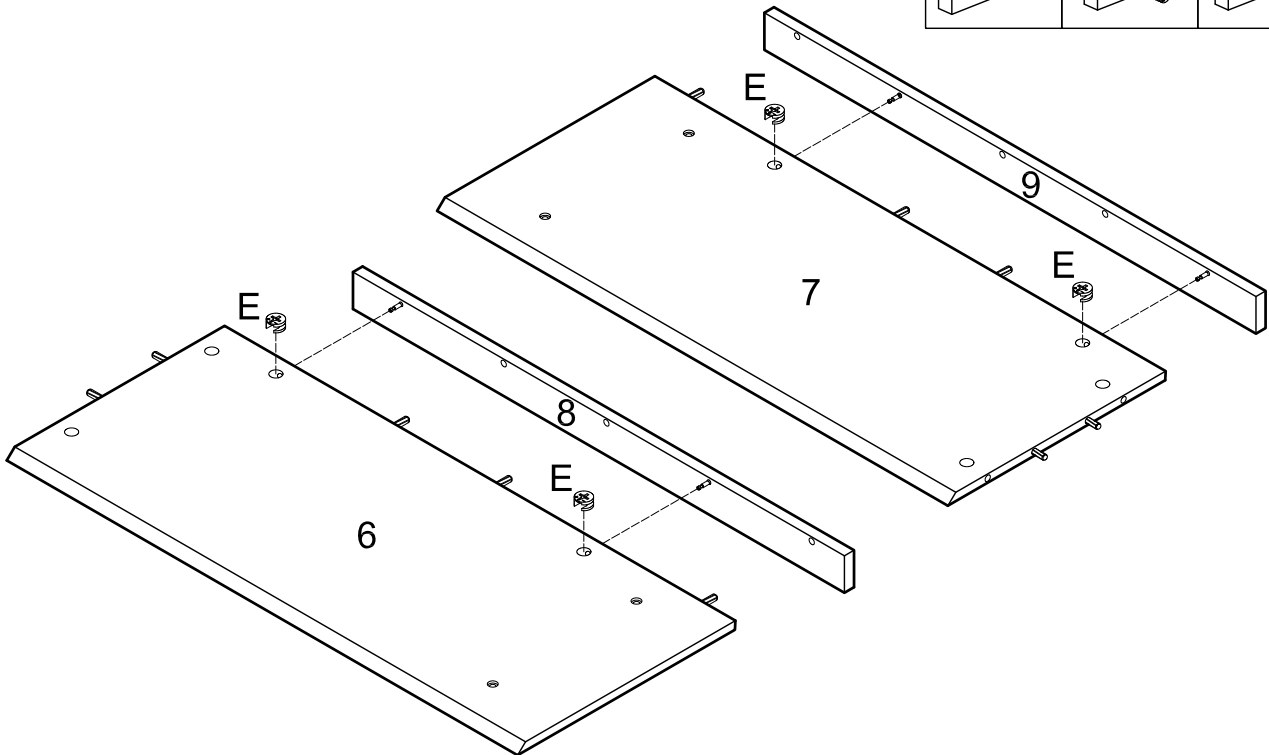
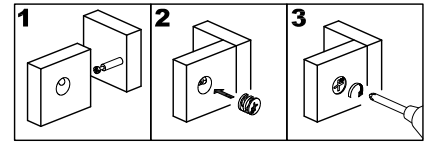
## Step 8



Attach the front panel (13)(15)(16) to the bottom panel (2) and middle panel (5) by using cam locks (D).

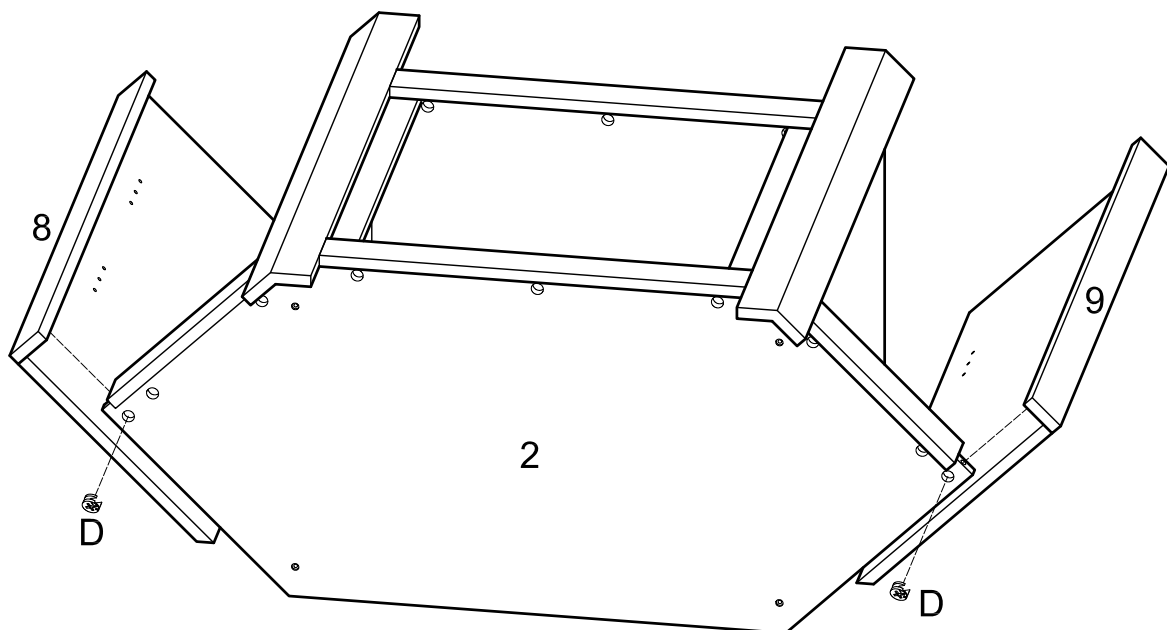
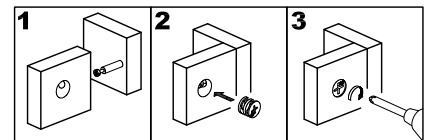


## Step 9



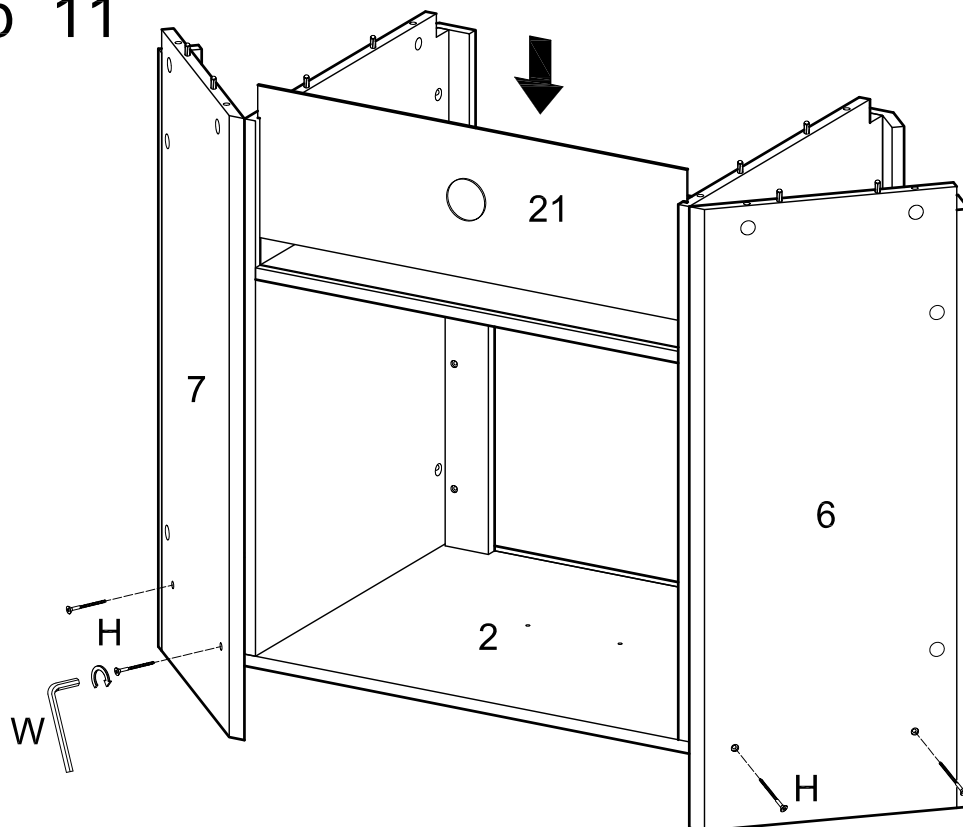
Attach the front panel (8)(9) to the side panel (6)(7) and secure it by using cam locks (E).

## Step 10



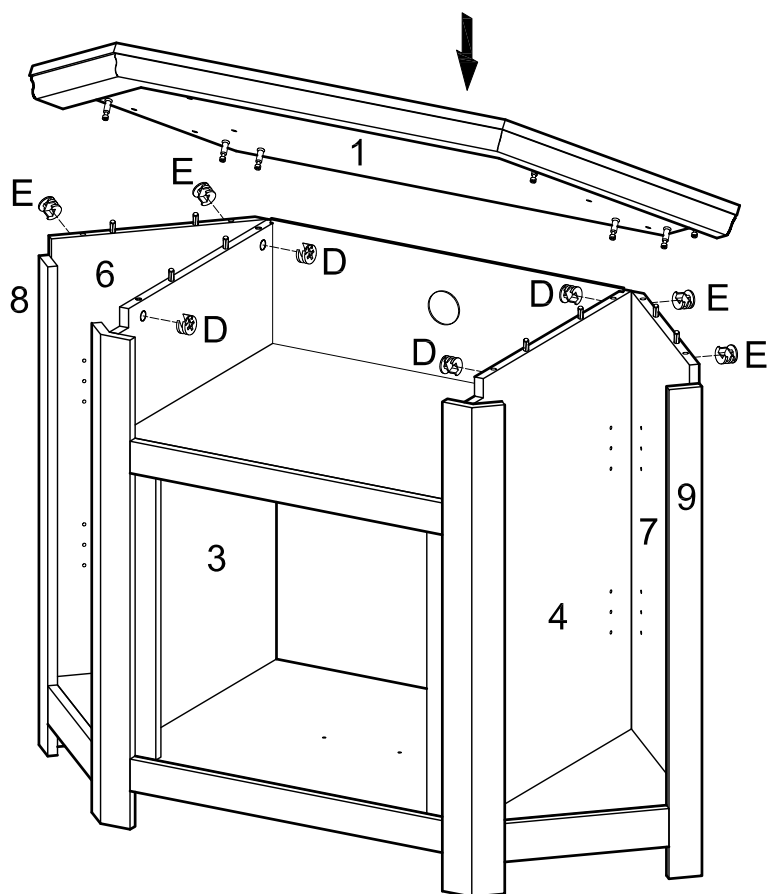
Attach the side panel (8)(9) to the bottom panel (2) and secure it by using cam locks (D).

## Step 11



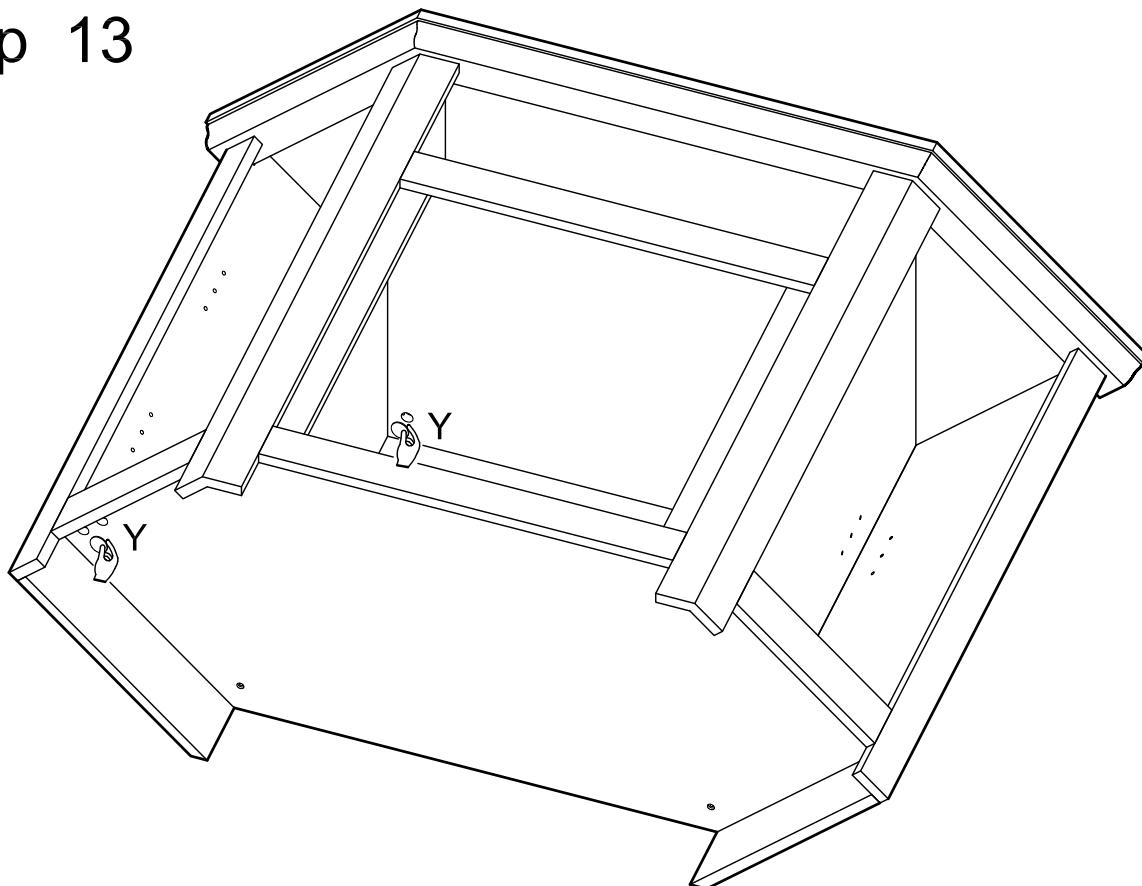
Attach the side panel (6)(7) to the bottom panel (2) and secure it by using screw (H) and wrench (W). Insert the back panel (21) into the slot of side panel (6)(7).

## Step 12



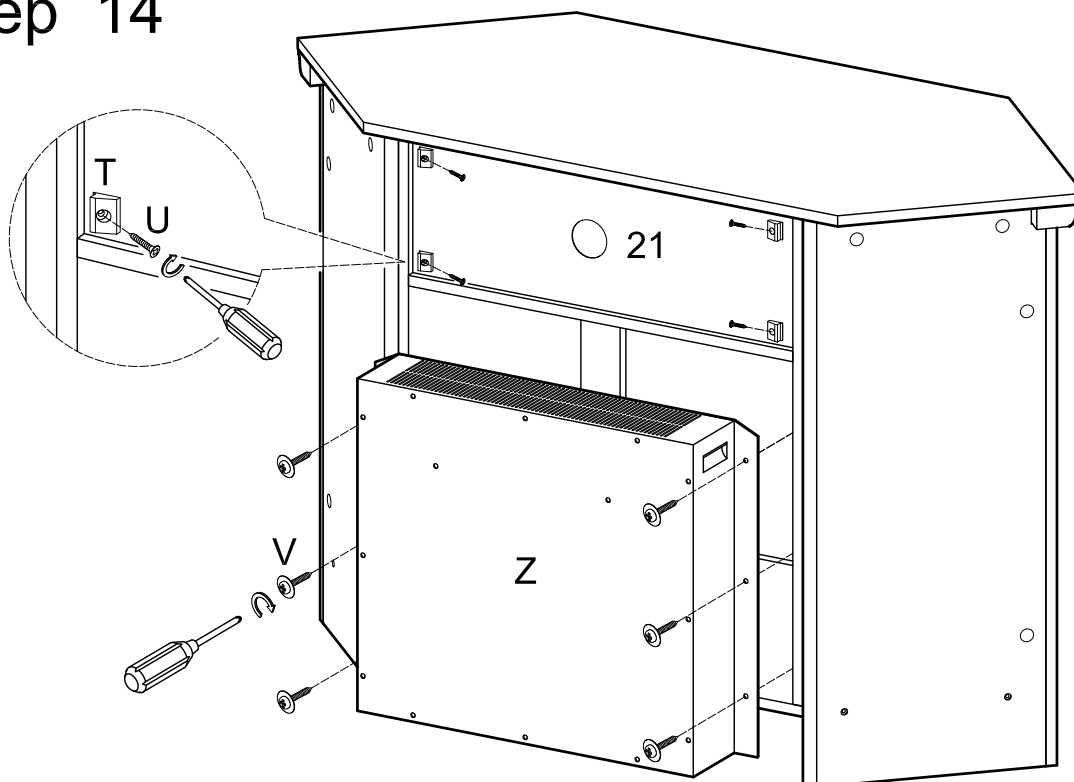
Place the top panel (1) on top of the side panel (6)(7), support panel (3)(4) and secure it by using cam locks (D).

## Step 13



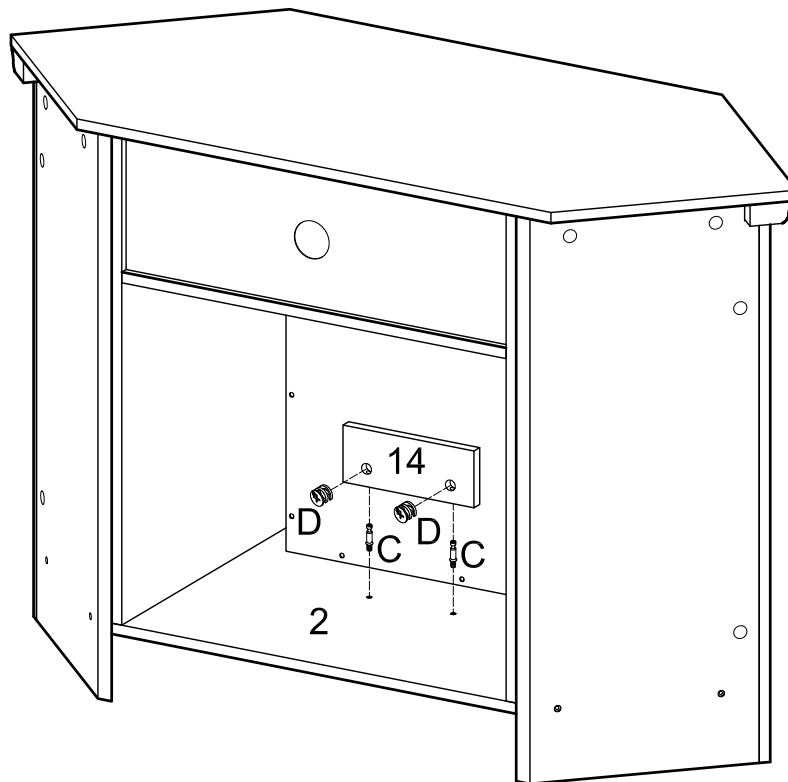
Use stickers (Y) to cover the cam locks.

## Step 14



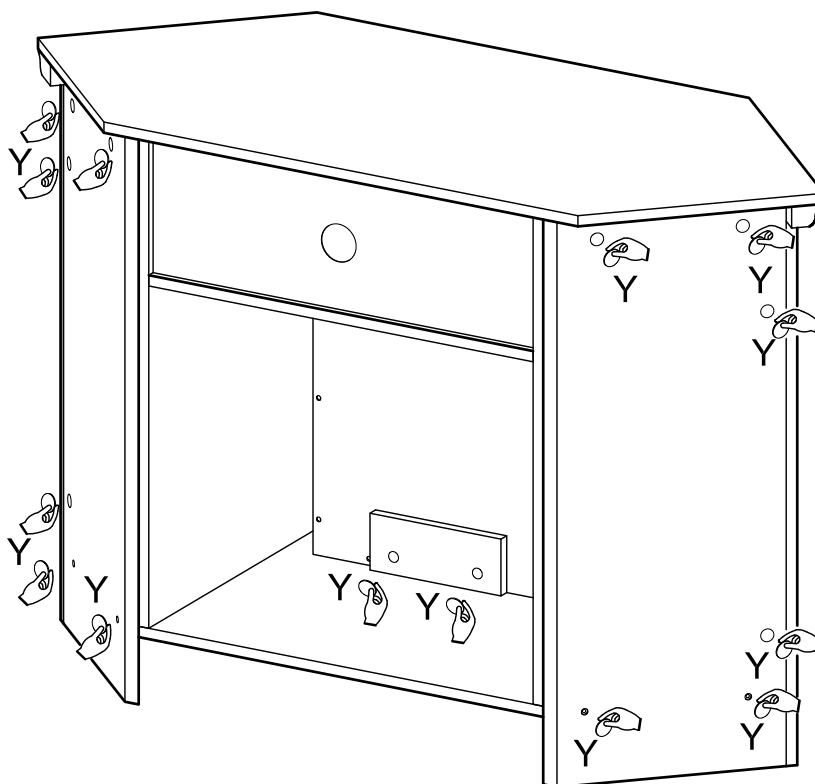
Secure the back panel (21) by using the plastic wedge (T) and screw (U). Put the fireplace insert (Z) carefully into the stand and secure it by using screw (V).

## Step 15



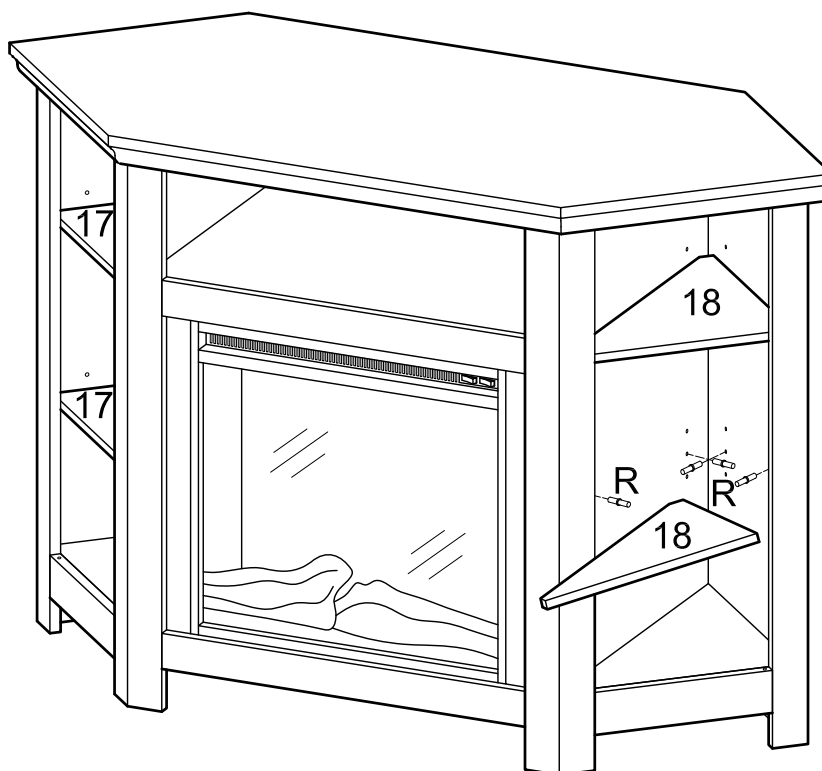
Insert the cam bolts (C) to the bottom panel (2) and attach the support panel (14) to the bottom panel (2) by using cam locks (D) to secure it.

## Step 16



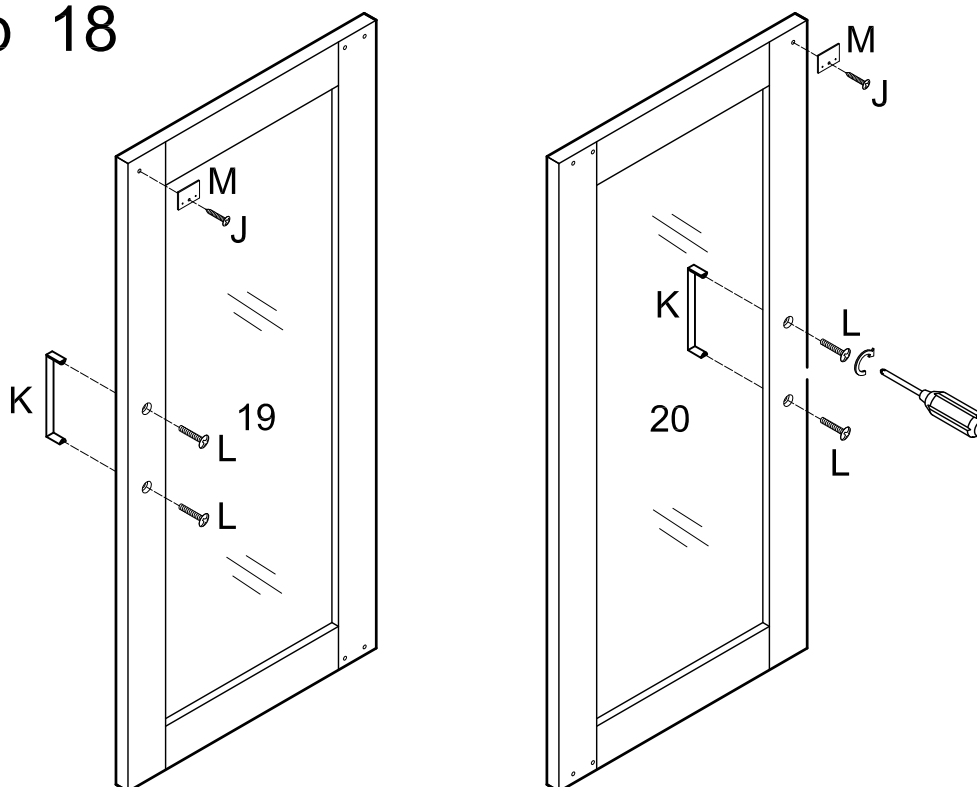
Use stickers (Y) to cover the cam locks.

## Step 17



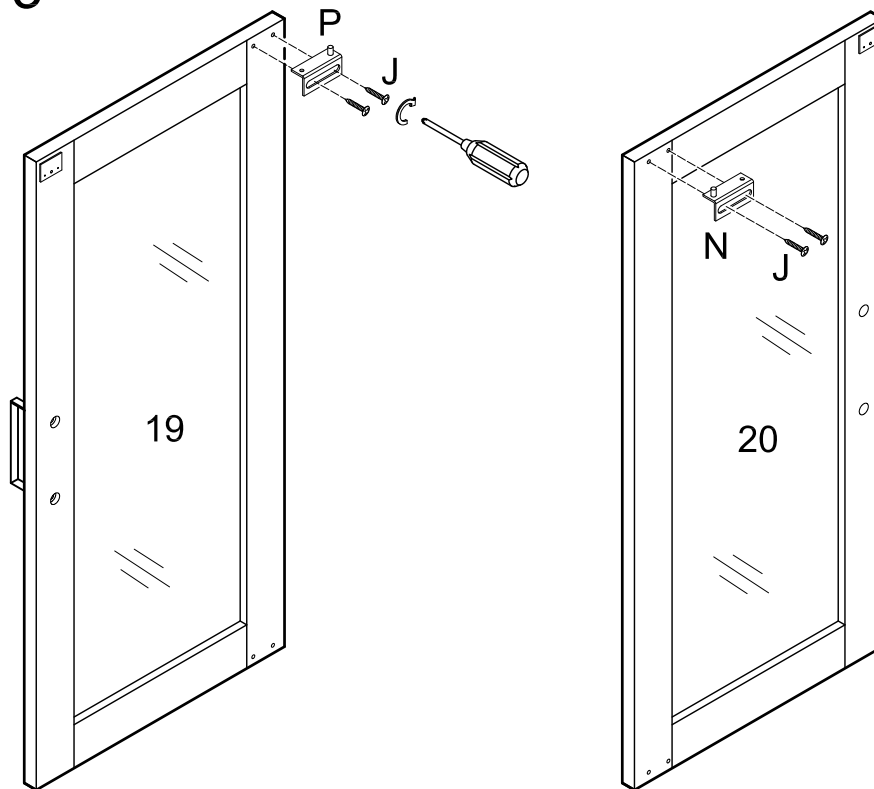
Insert the shelf support pin (R) into the stand and place the shelf (17)(18) on top.

## Step 18



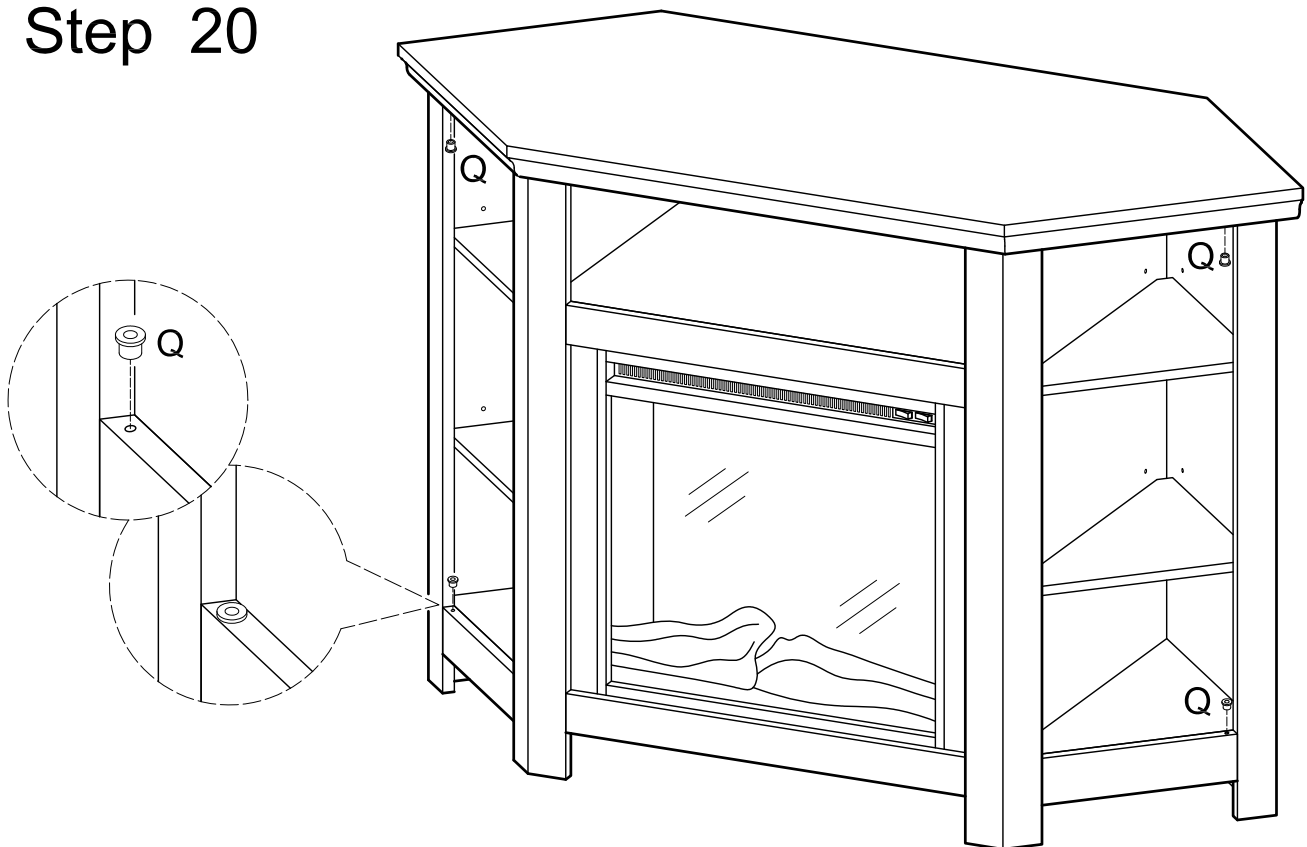
Attach the metal piece (M) to the glass doors (19)(20) and secure it by using screw (J).  
Attach the door knob (K) to the glass doors (19)(20) and secure it by using screw (L).

## Step 19



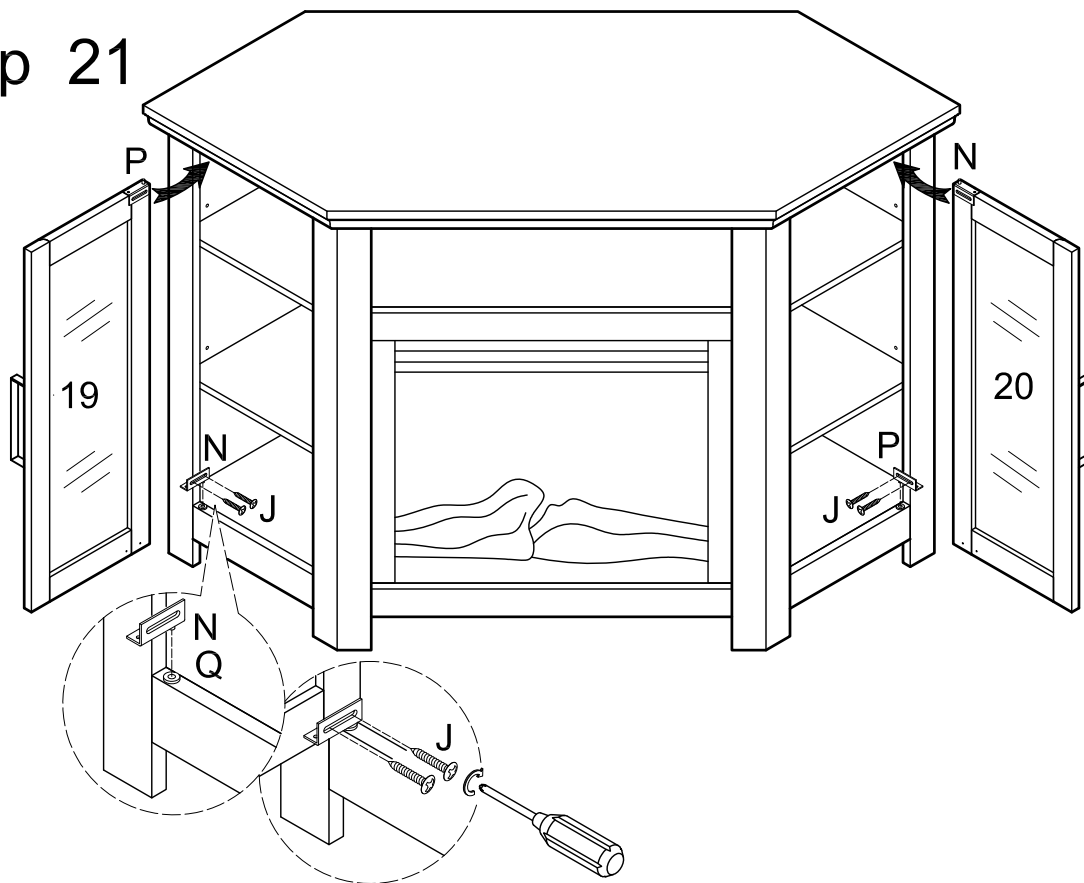
Attach the door hinge (P)(N) to the glass doors (19)(20) and secure it by using screw (J).

## Step 20



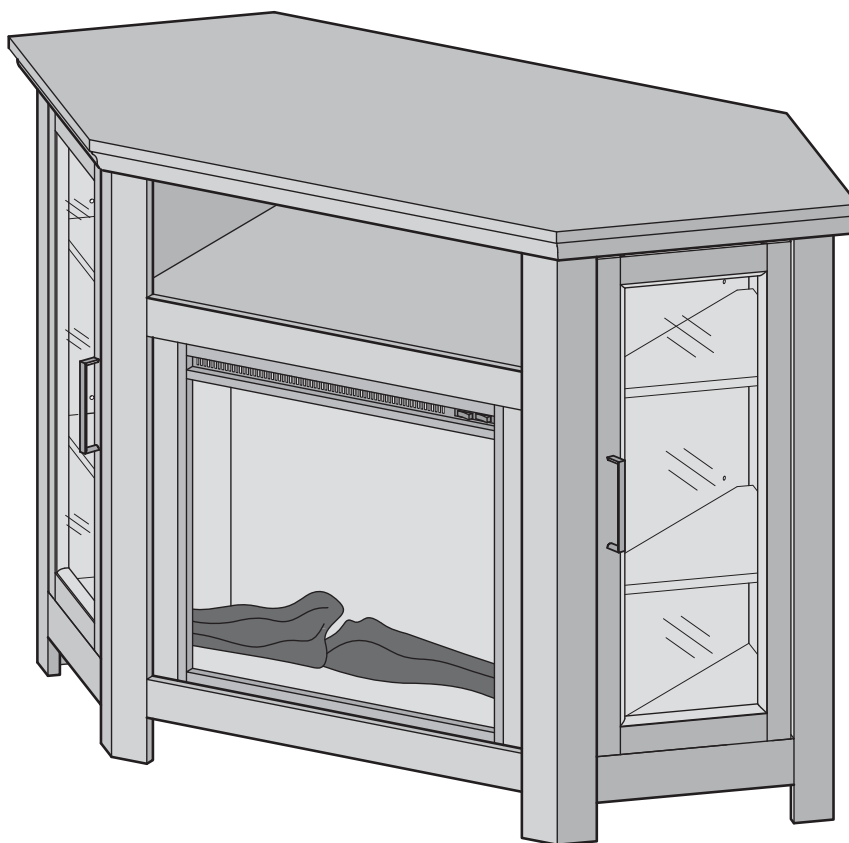
Insert the plastic pivot (Q) as shown as the diagram.

## Step 21



Insert the door hinge (P)(N) into the plastic pivot (Q).  
Insert the doors (19)(20) as shown in diagram and secure it with screw (J).

## Step 22



**Final Assembly**