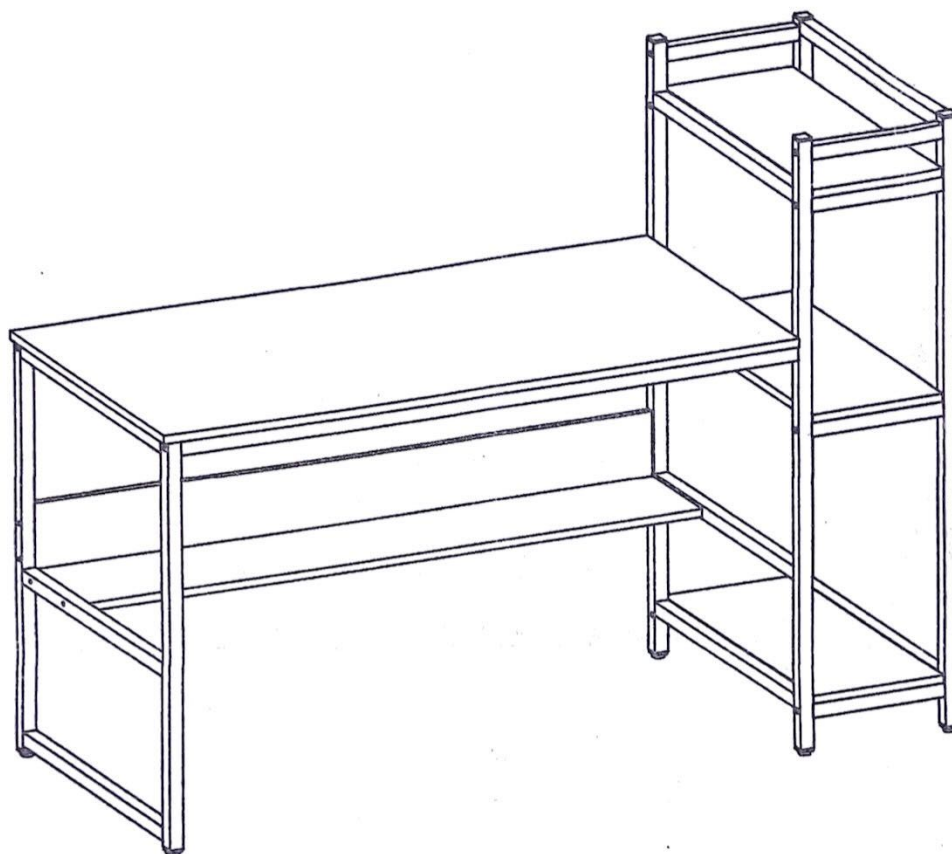


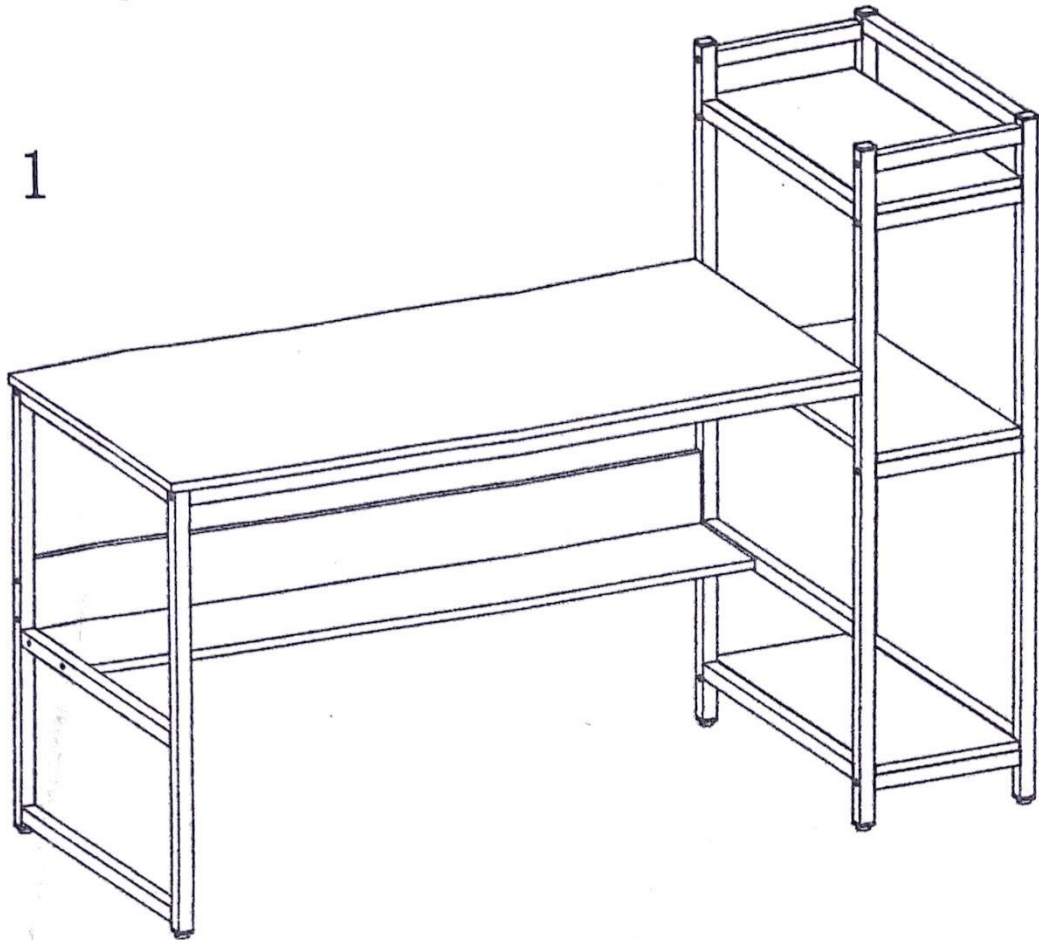
Installation instructions



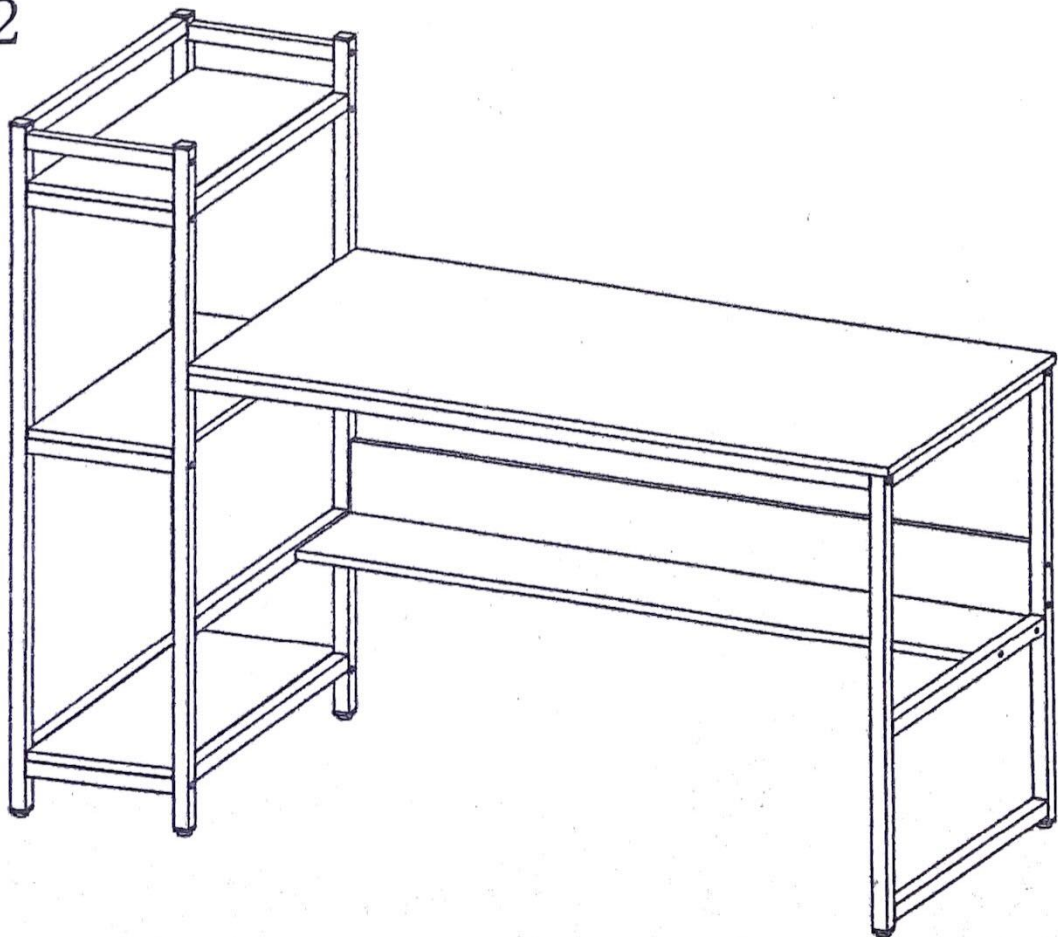
Tribesigns
Way to origin

Two ways of installation

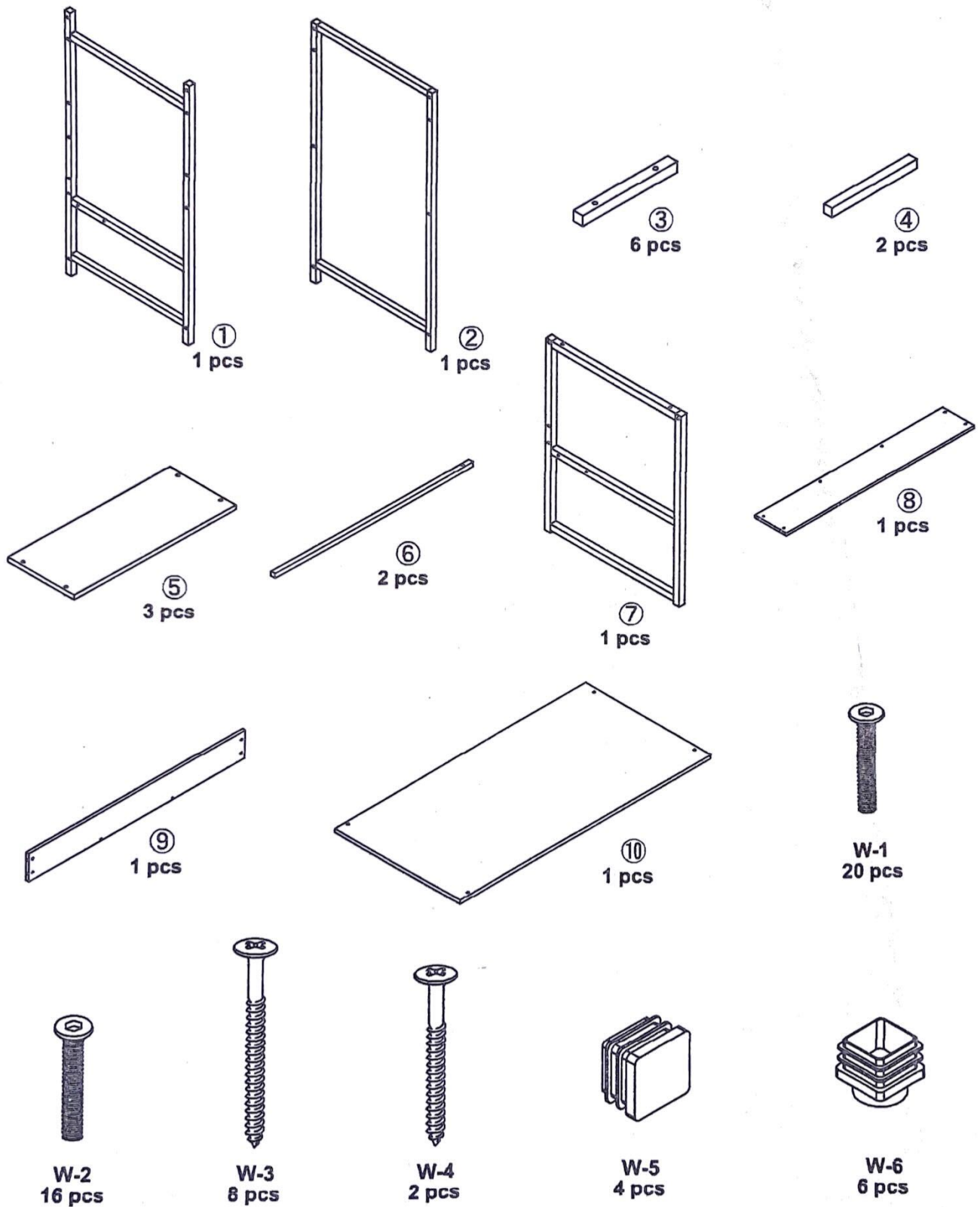
1



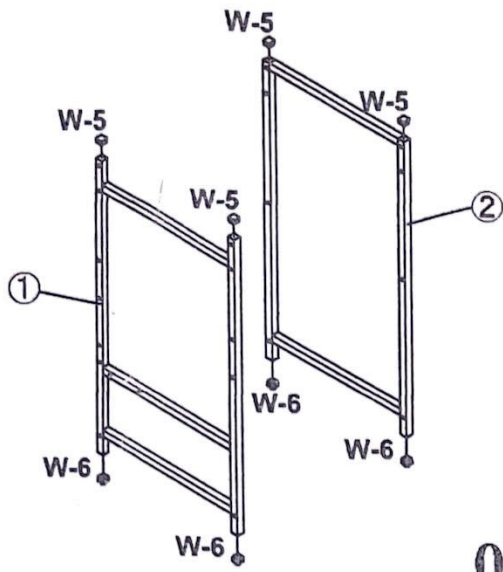
2



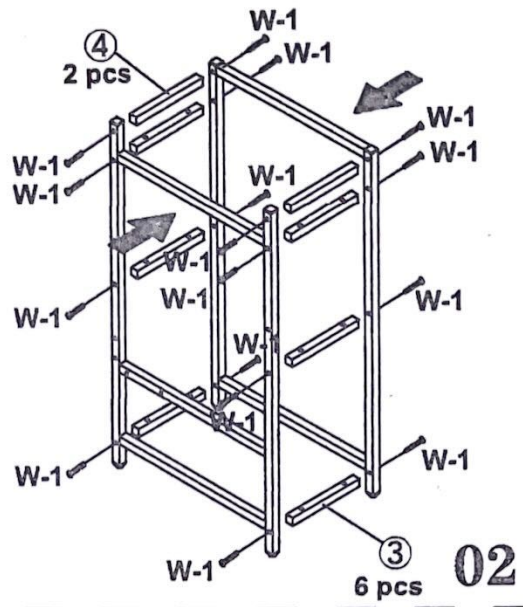
Accessories show



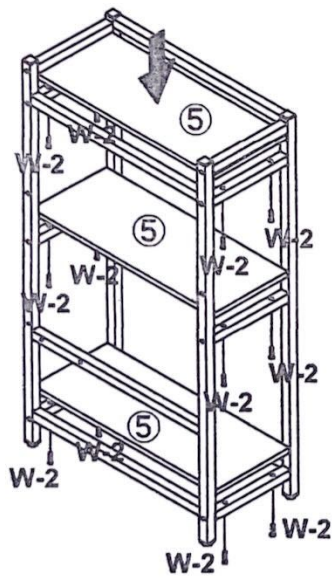
Notes: Don't tighten screws completely at first, just in case parts were assembled wrong and need disassembled. Tighten screws at last when all parts are put together.



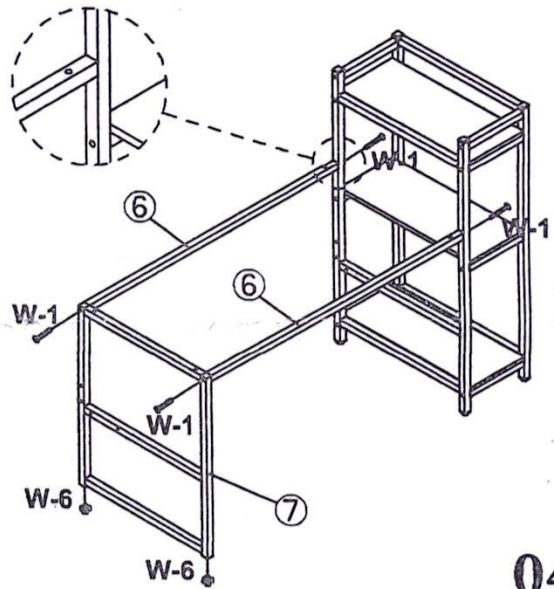
01



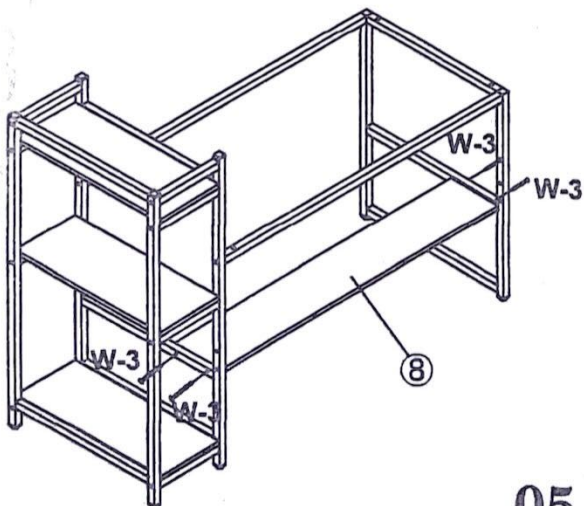
02



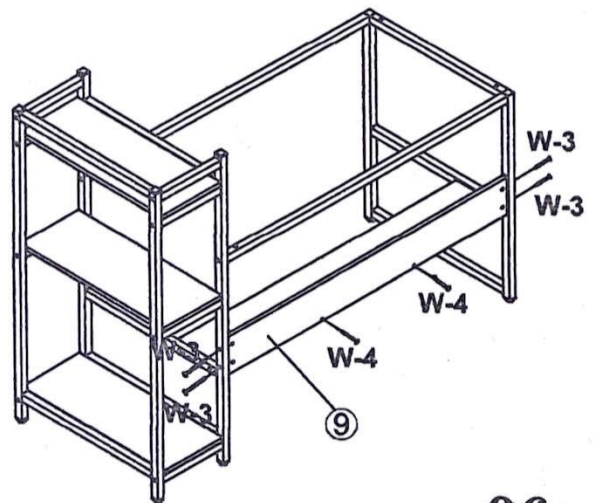
03



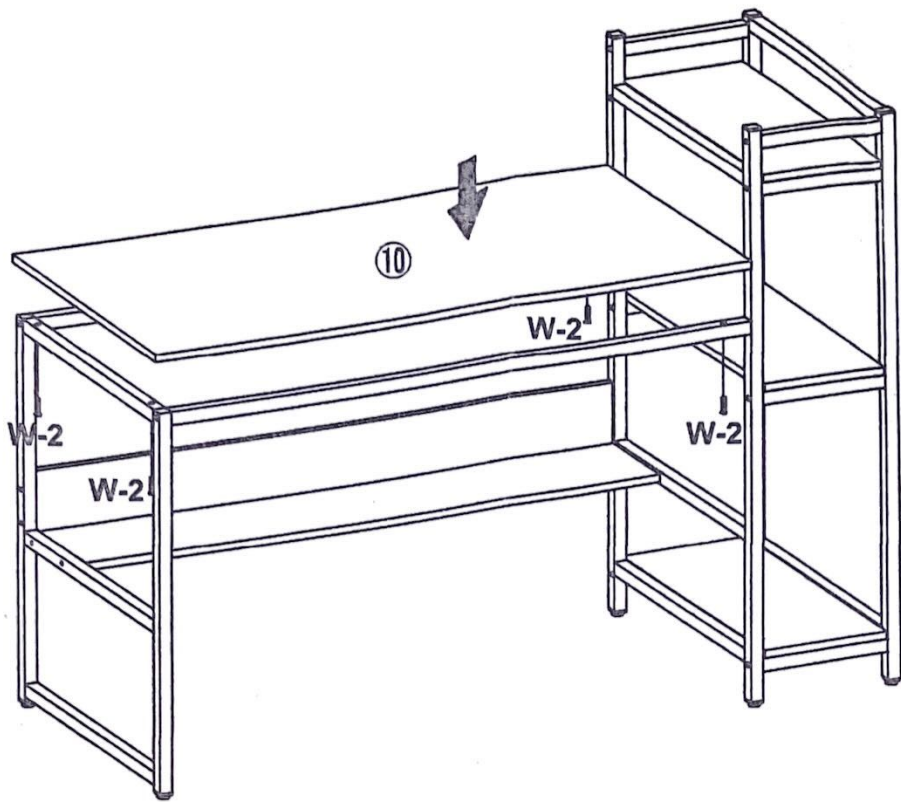
04



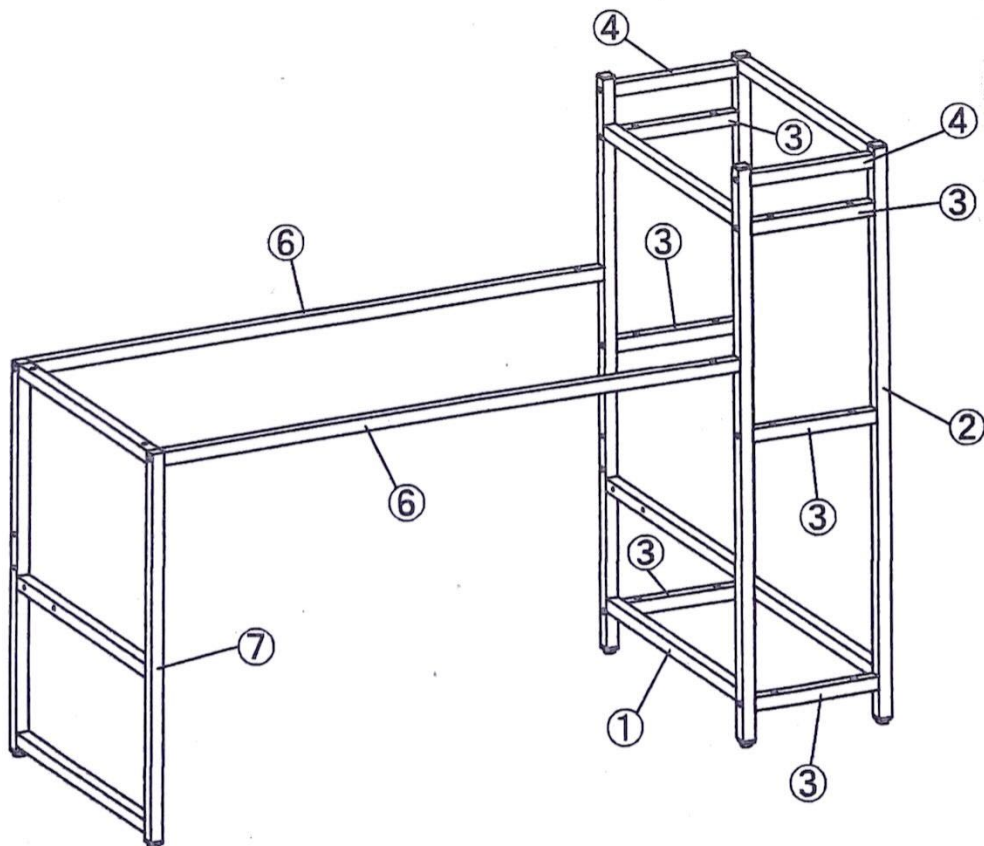
05



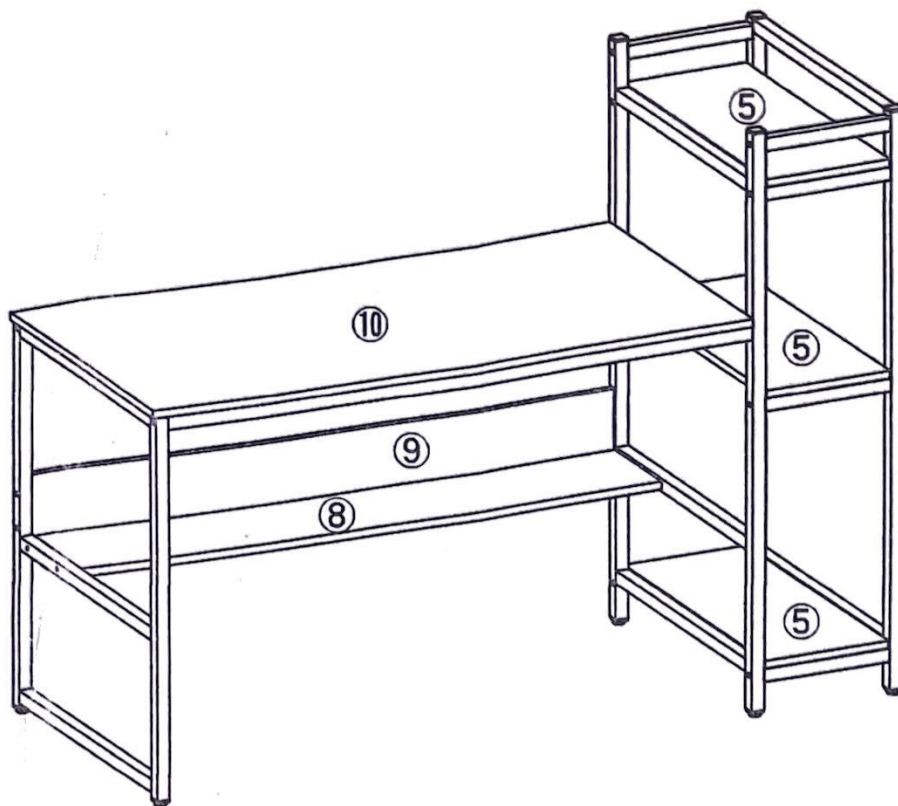
06



07



Metal frame assembled



Complete

We genuinely appreciate your purchase of our product. Any problem (installation or damage caused by shipping), please feel free to contact us. Our customer service will help to solve the problem for your ASAP, as your satisfaction is our final goal.

www.tribesigns.com

Email: support@tribesigns.com

08/03/22