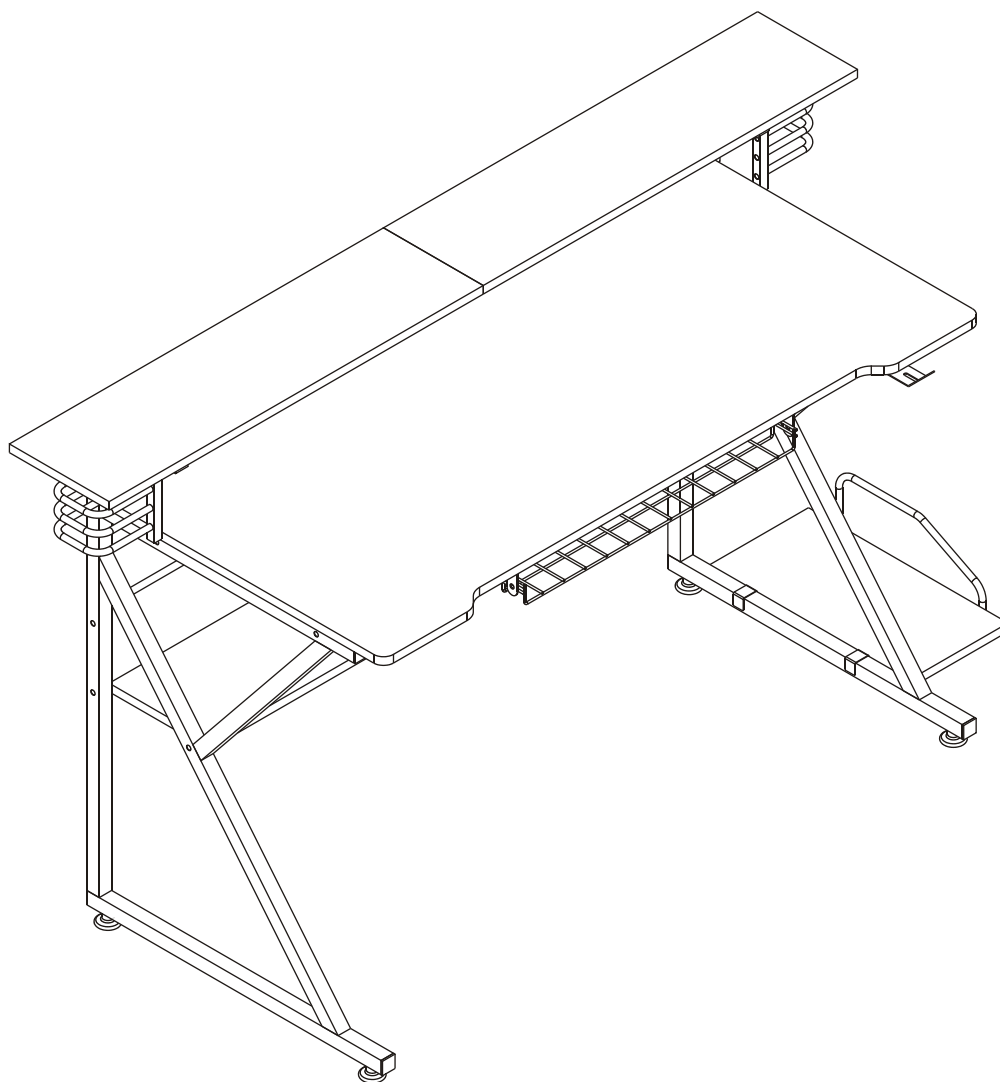
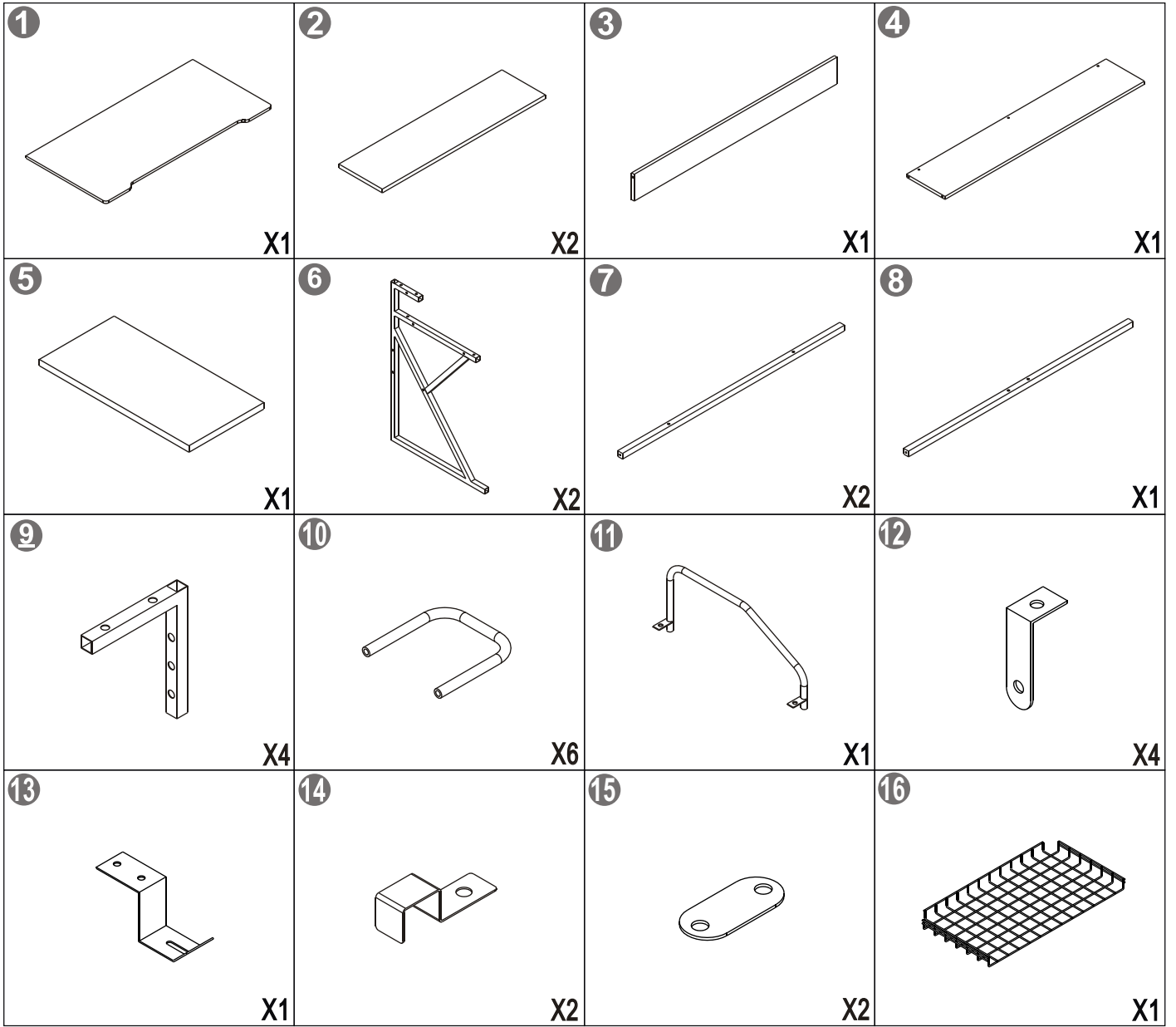


Multifunctional Computer Desk

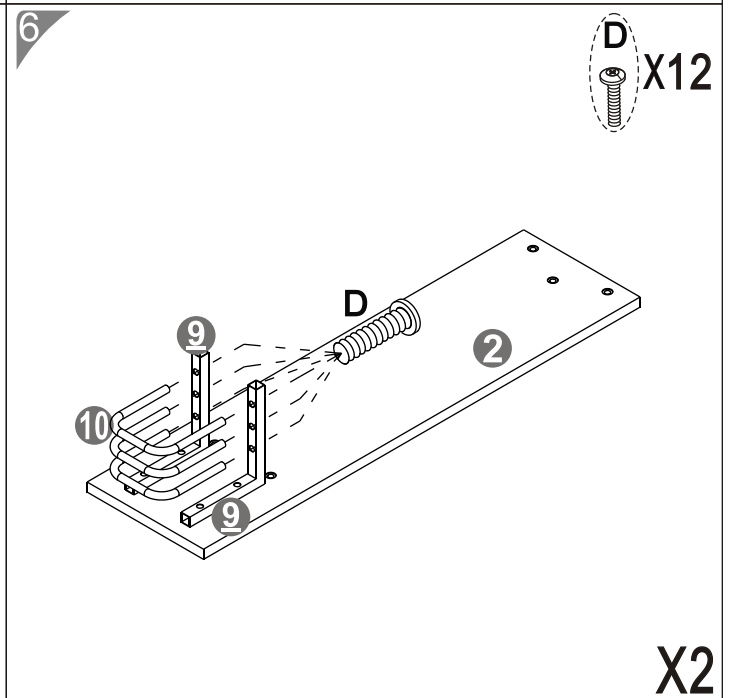
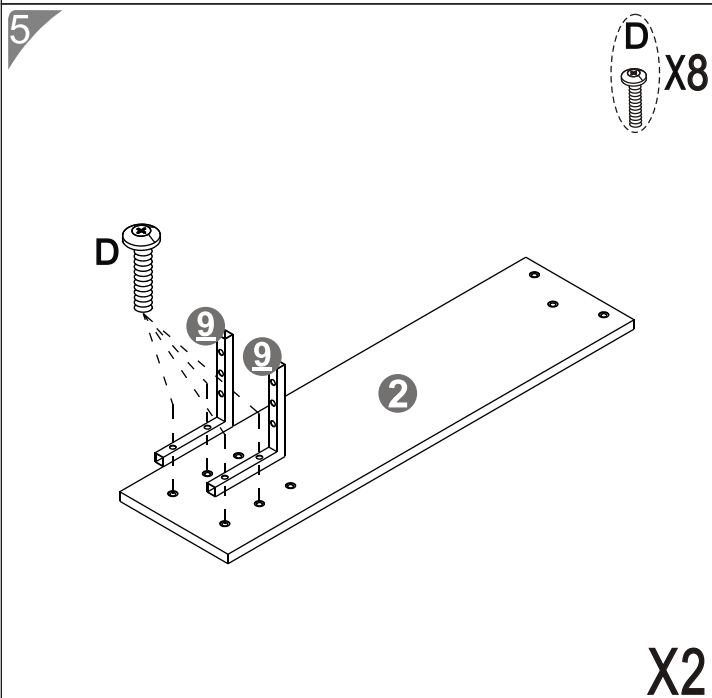
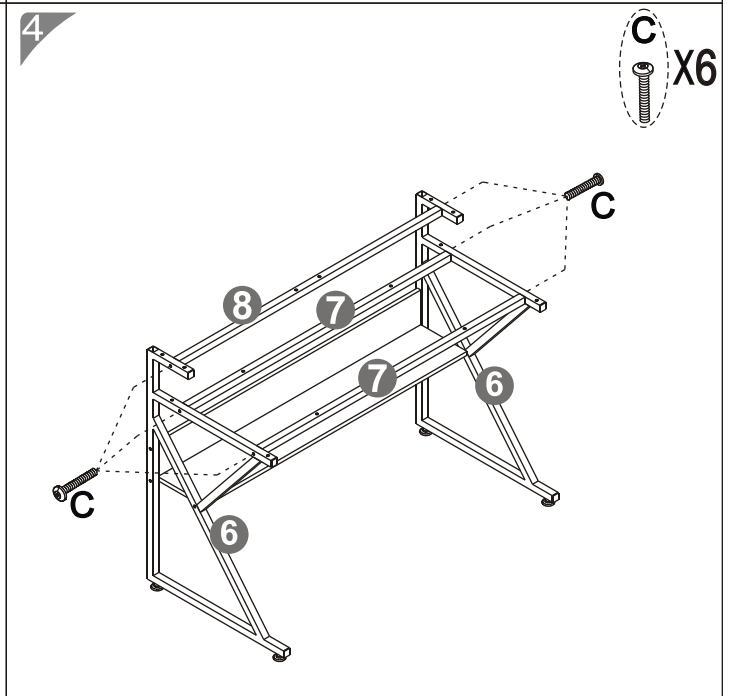
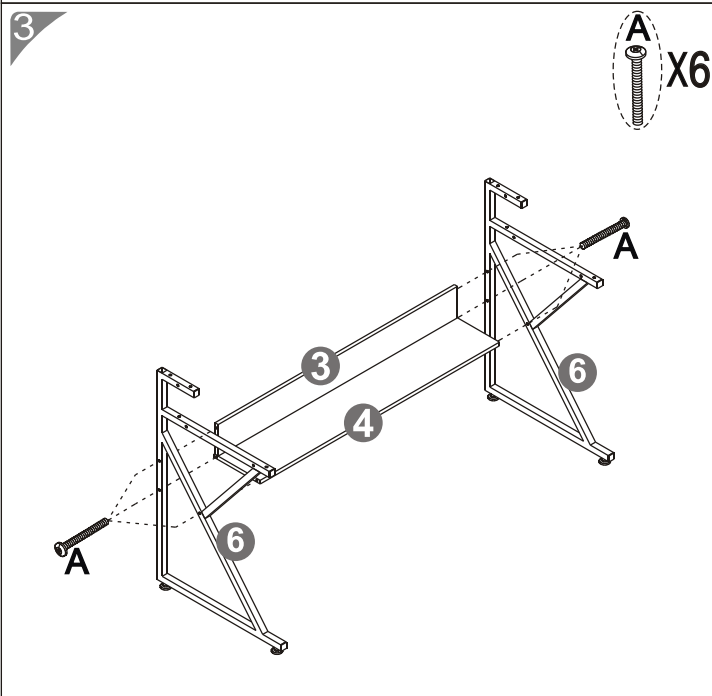
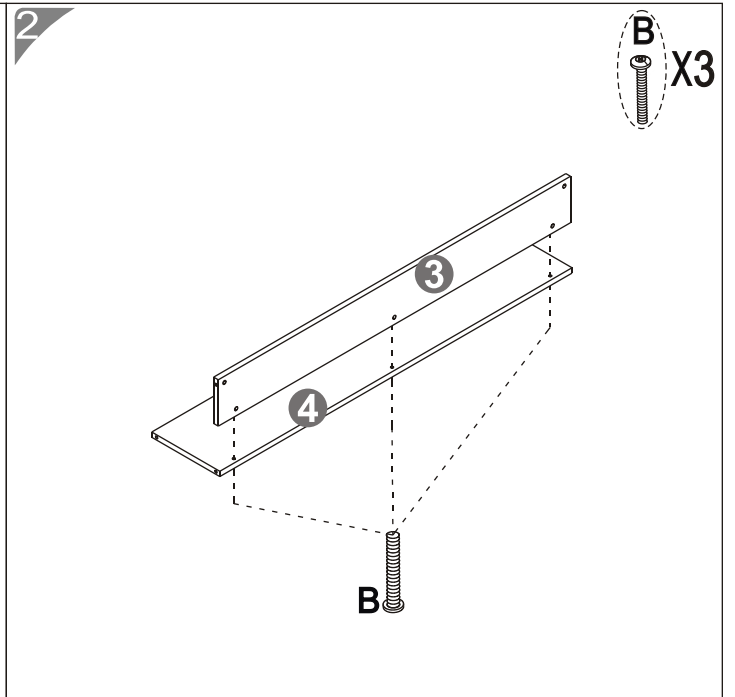
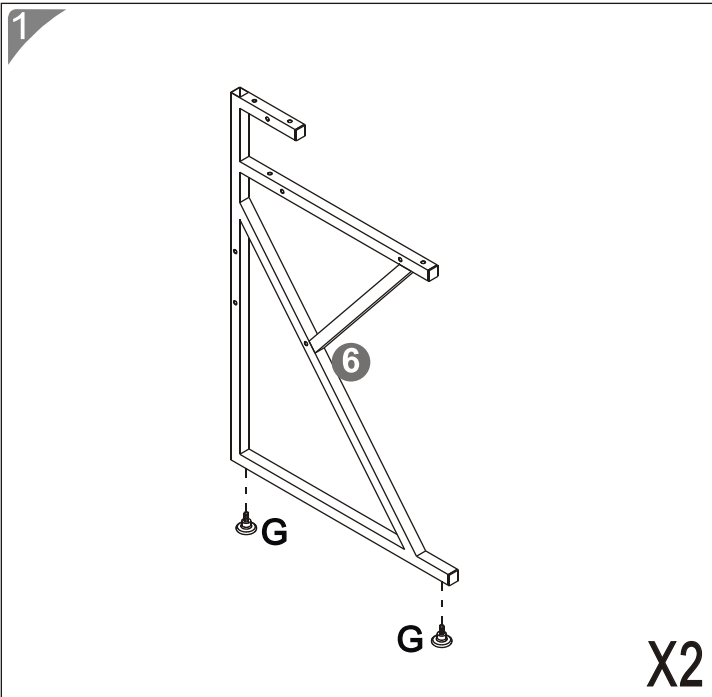


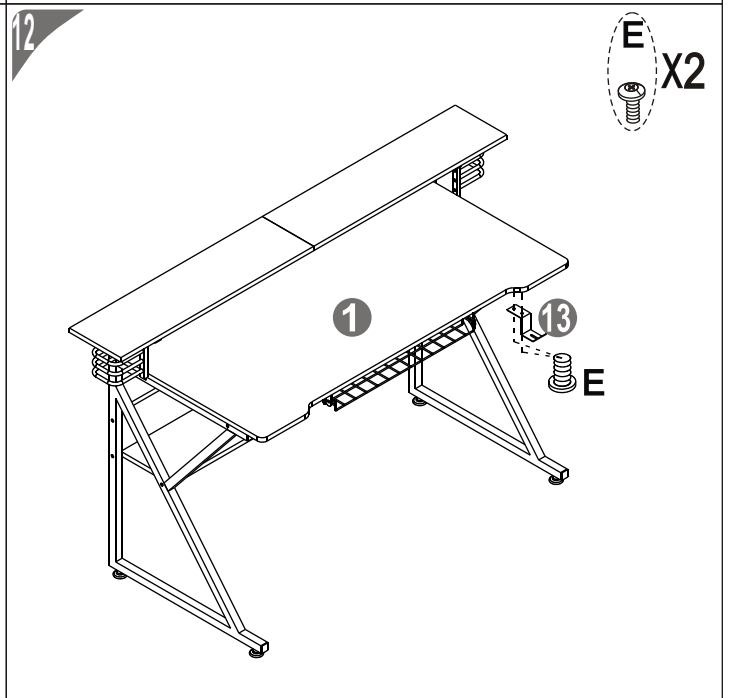
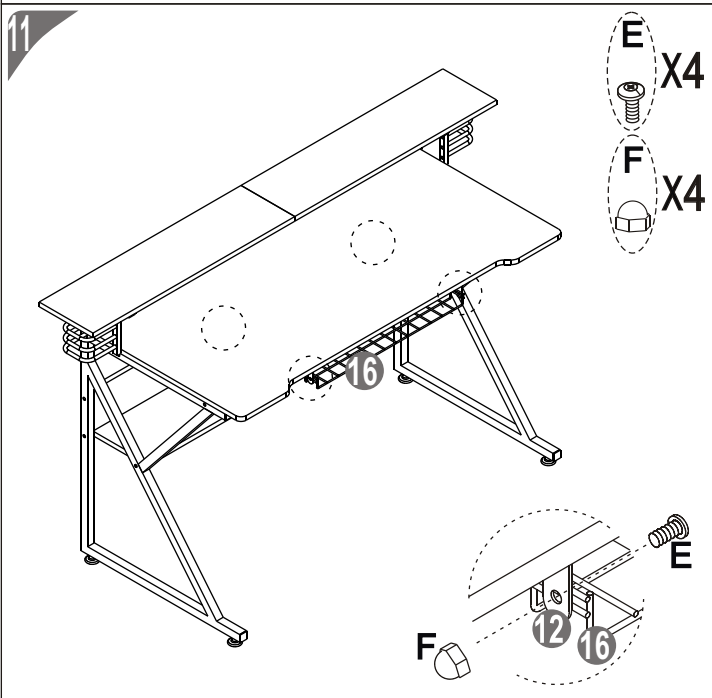
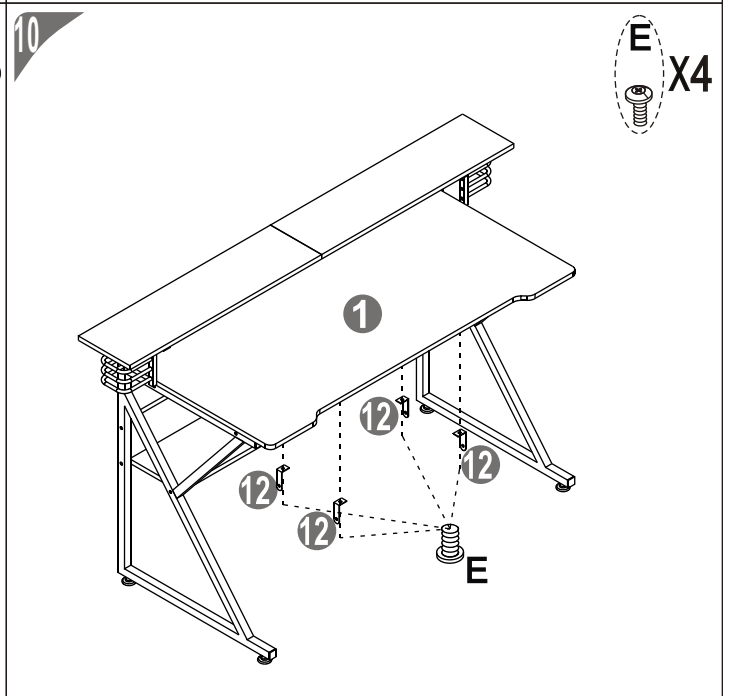
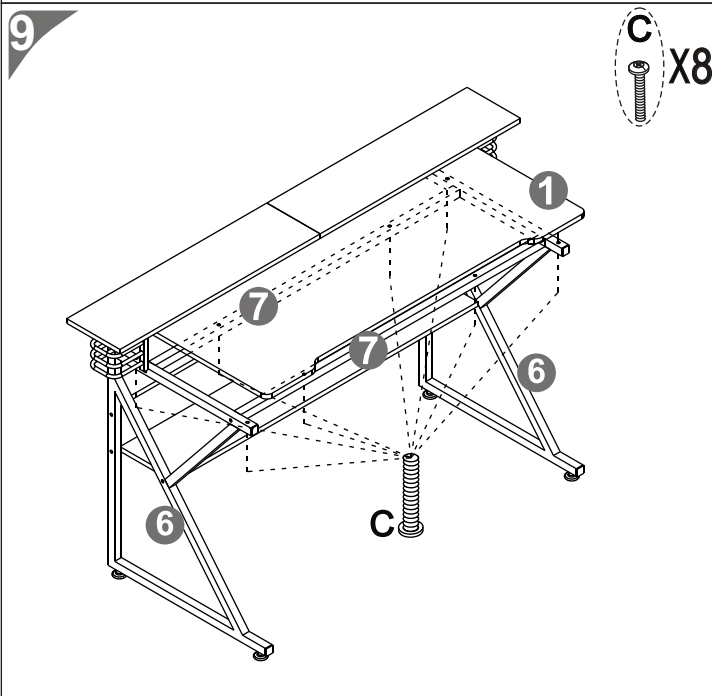
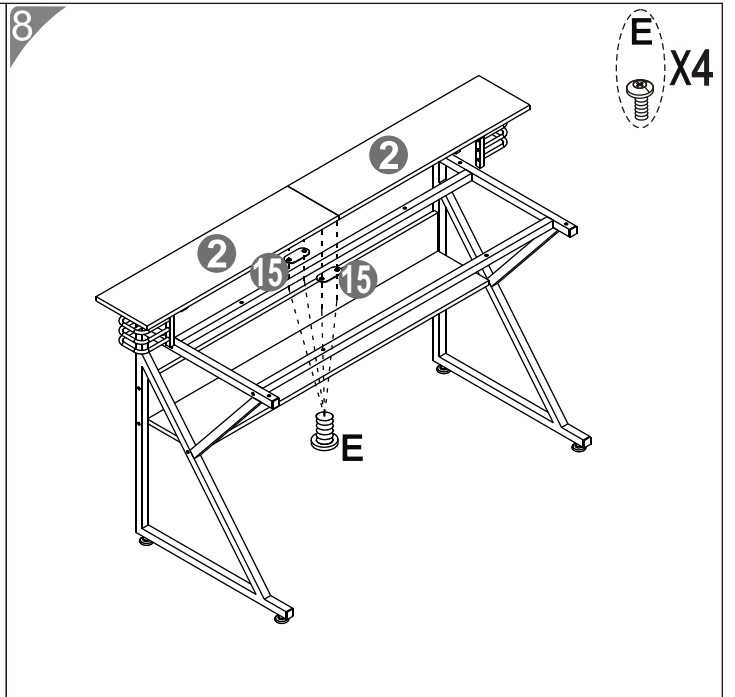
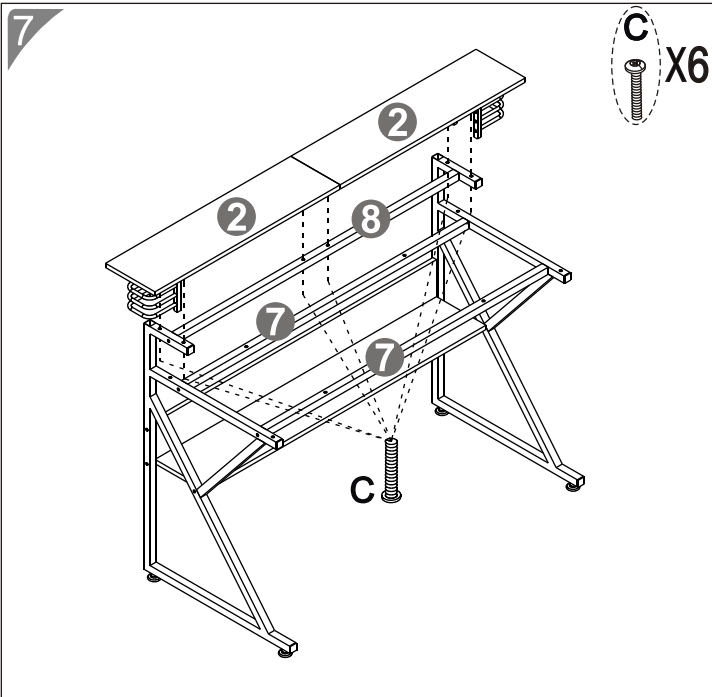
Thanks for purchasing one of our products, please read carefully the assembly instructions before the installation (Attention: Do not tighten the screws before all screws are in place). THIS INSTRUCTION BOOKLET CONTAINS IMPORTANT SAFETY INFORMATION. PLEASE READ AND KEEP FOR FUTURE REFERENCE.



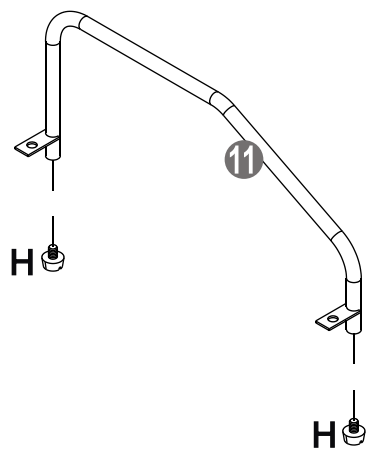
| PART | QTY. | ITEM | |
|----------|------|---------|--|
| A | 6 | M6x50mm | |
| B | 3 | M6x40mm | |
| C | 20 | M6x35mm | |
| D | 20 | M6x25mm | |
| E | 18 | M6x12mm | |
| F | 4 | M6 | |

| PART | QTY. | ITEM | |
|----------|------|-------------|--|
| G | 4 | M8x18xH20mm | |
| H | 2 | M6x10xH7mm | |
| I | 9 | Ø21 | |
| J | 1 | 10-14mm | |
| K | 1 | Ø5x54mm | |
| L | | | |



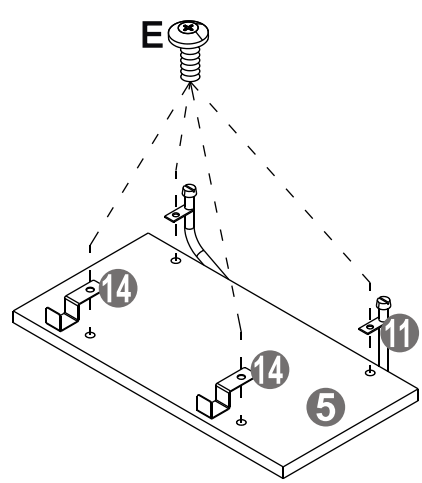


13



14

E X4



15

I X9

