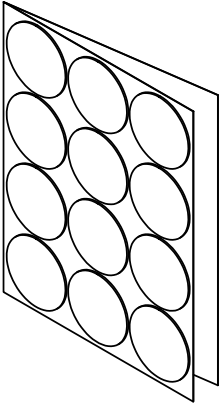


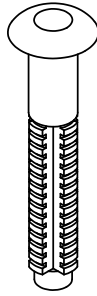
10901
x1



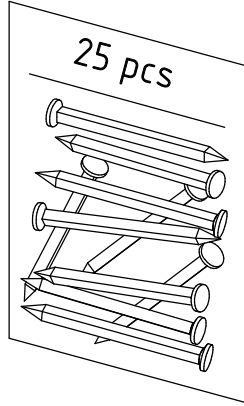
20203
x30



20228
x16



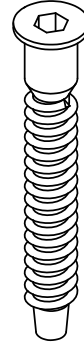
23006
x1



25233
x16



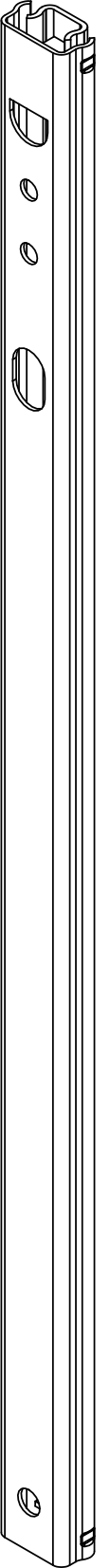
25610
x8



26020
x16



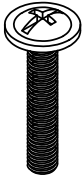
41404
x8



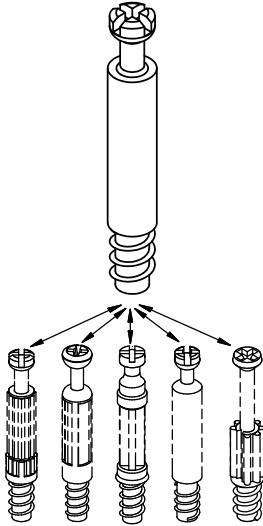
26214
x8



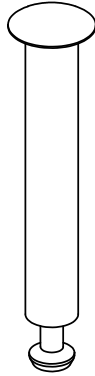
26230
x8



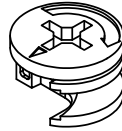
31513
x14



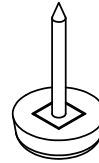
31561
x4



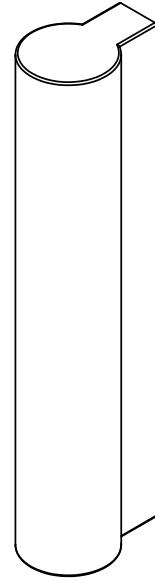
31687
x18



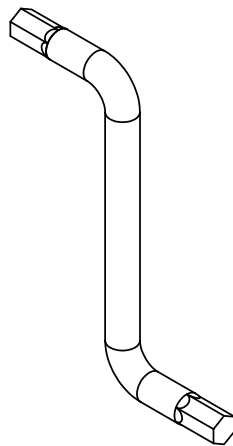
63001
x6

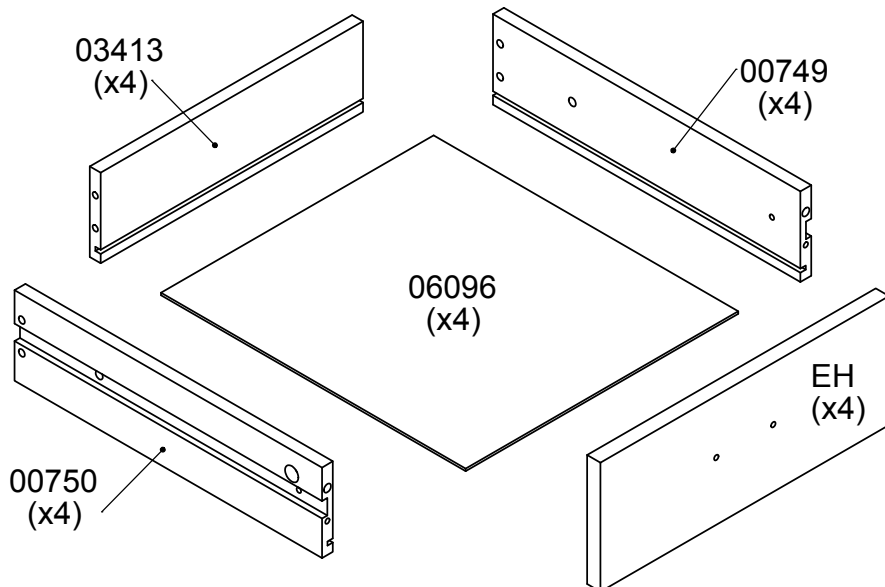
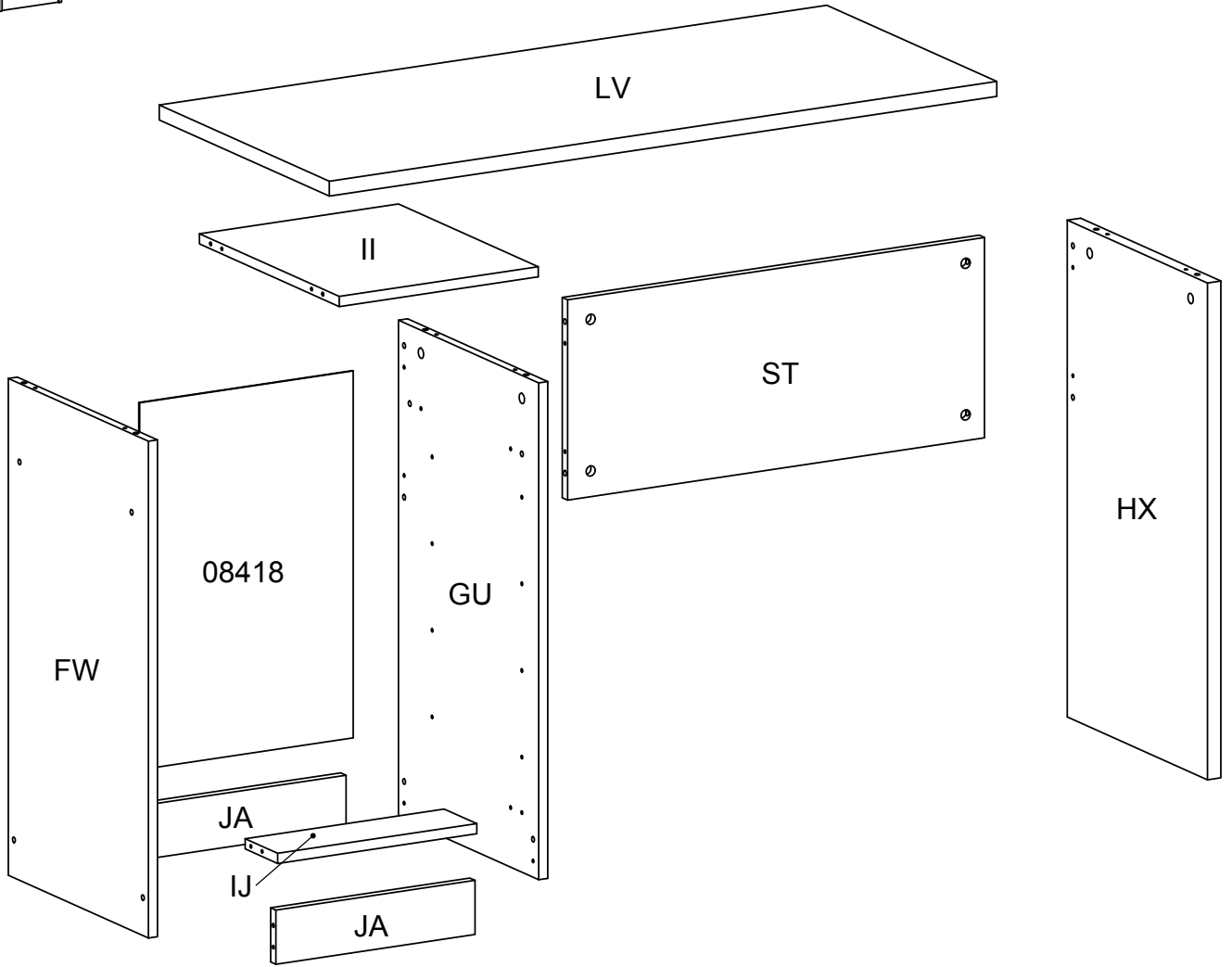
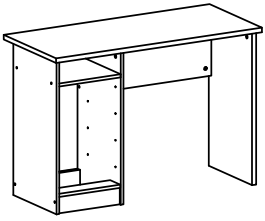


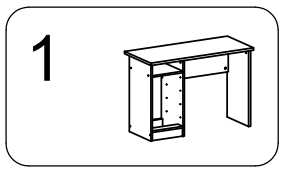
80220
x4



97642
x1

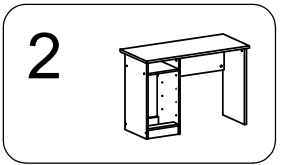
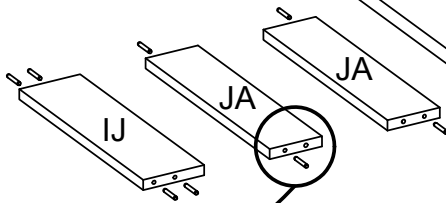
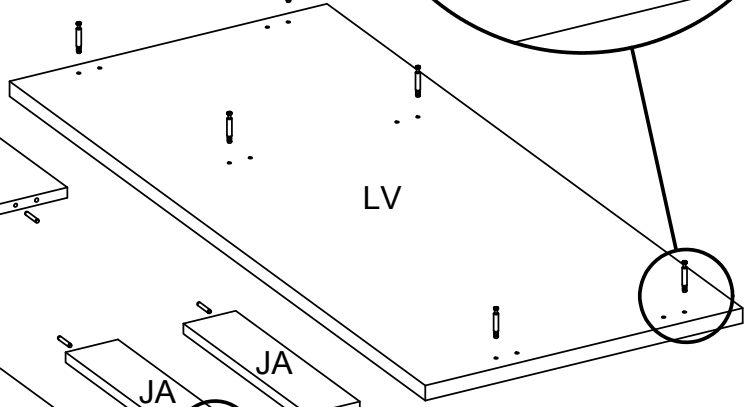
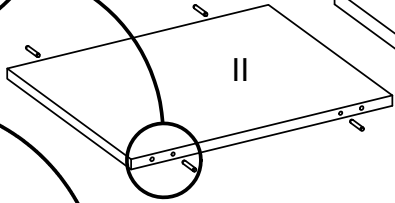
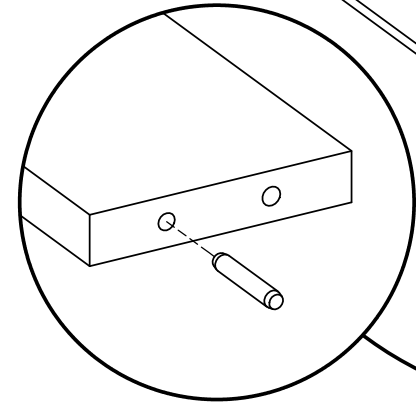
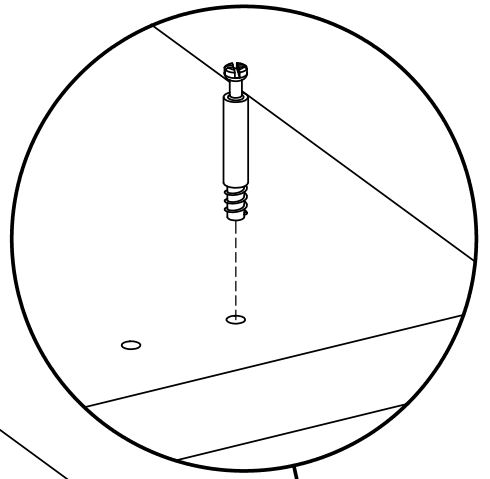
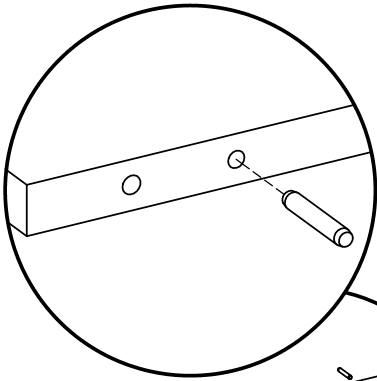






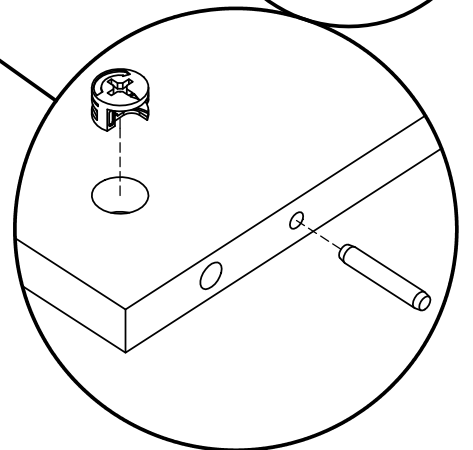
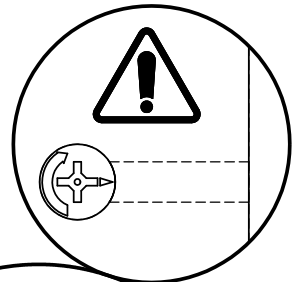
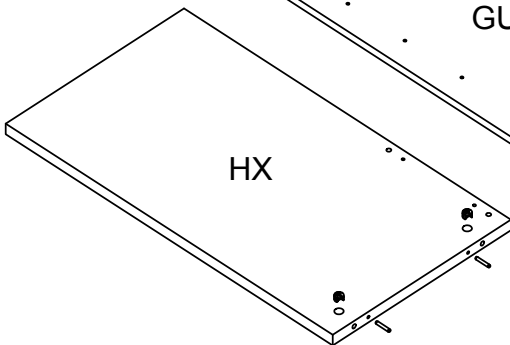
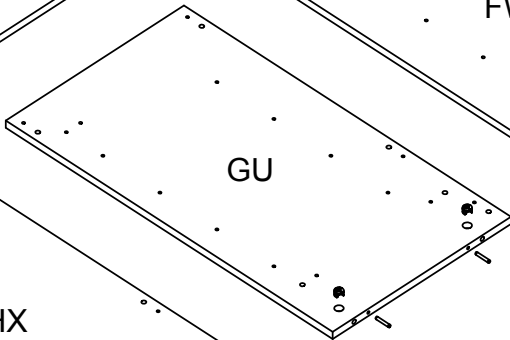
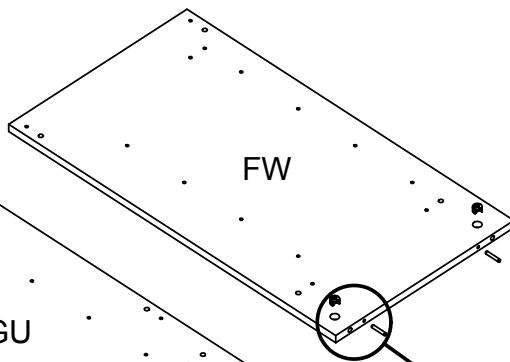
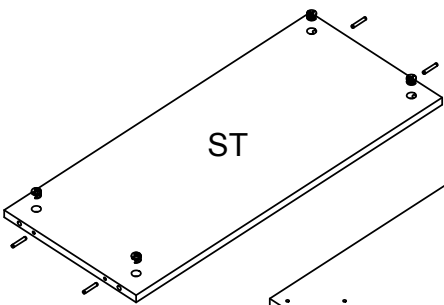
20203
x12

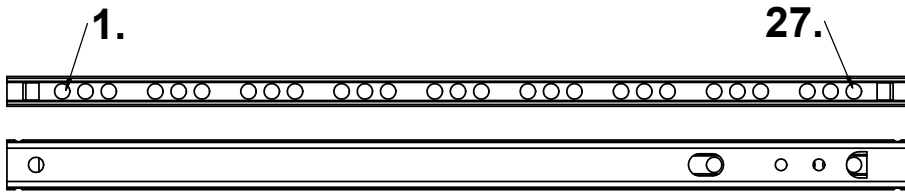
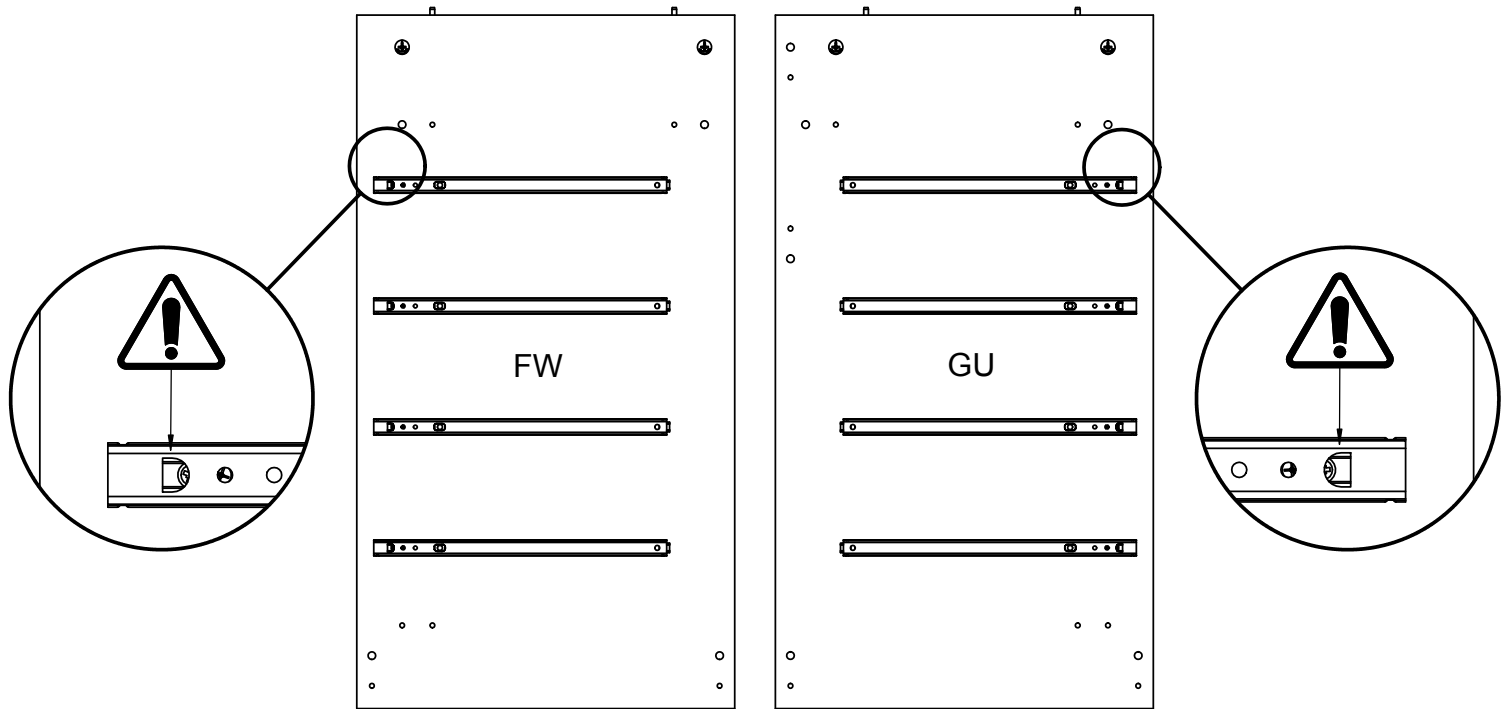
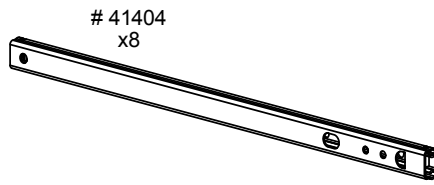
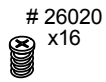
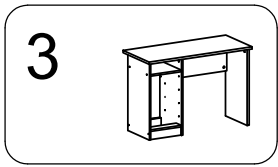
31513
x6



20203
x10

31687
x10

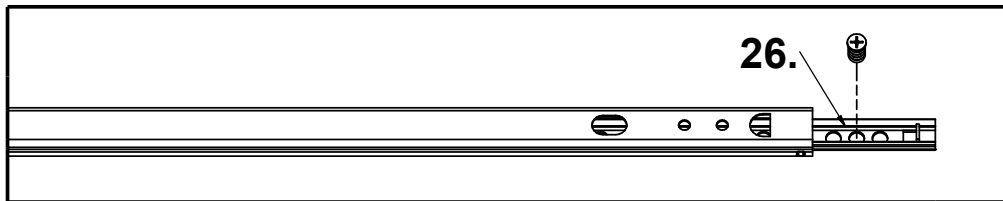




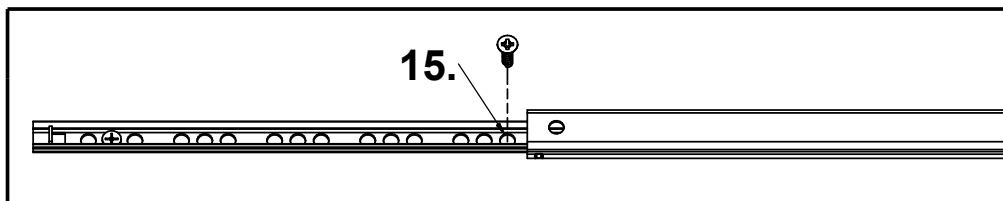
1.



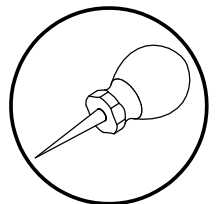
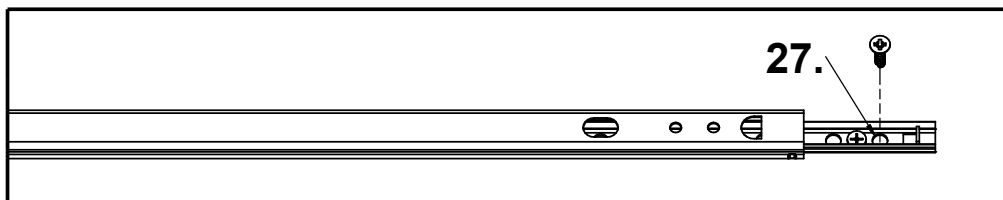
2.

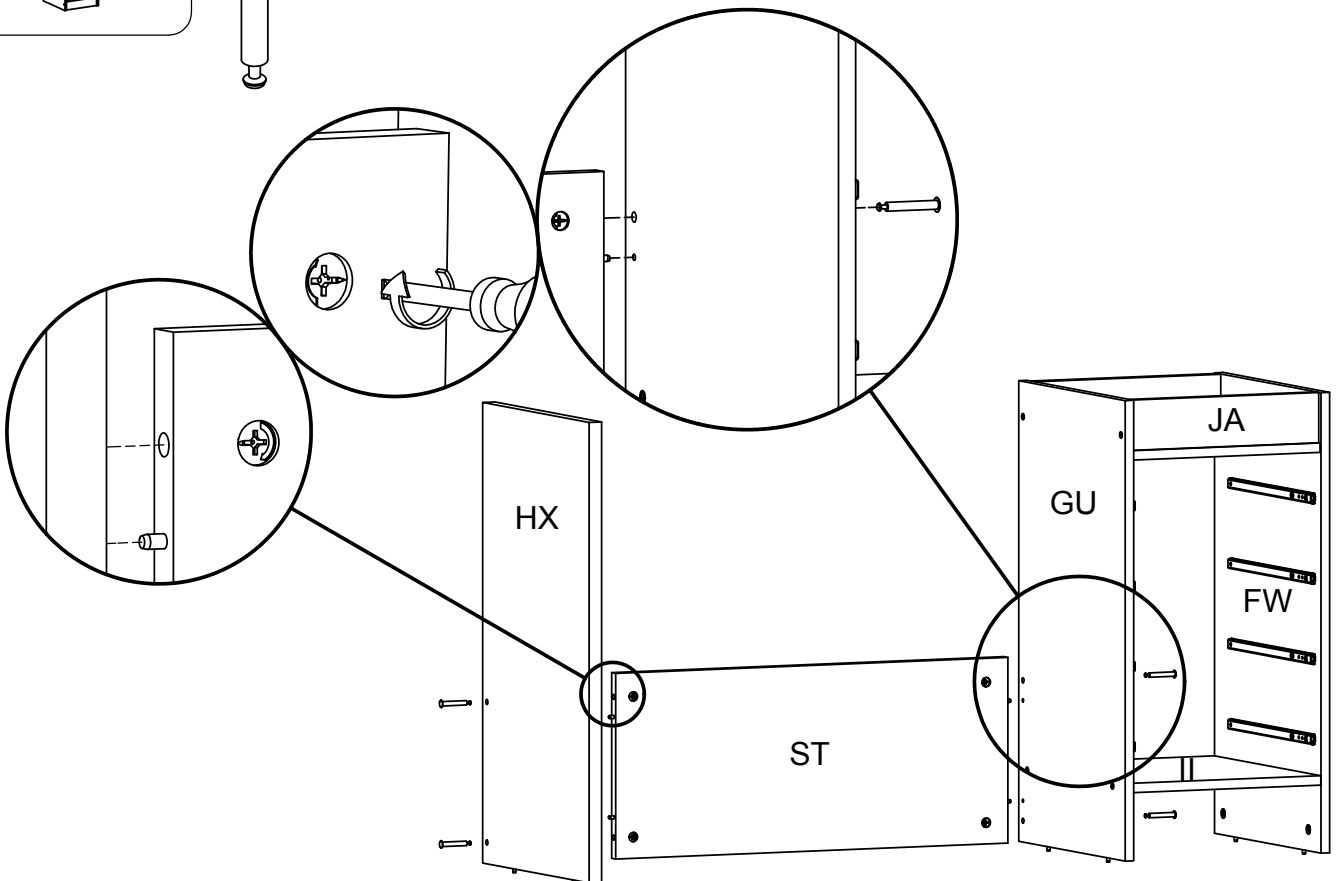
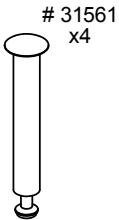
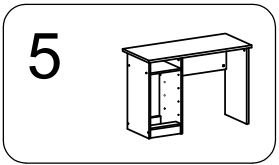
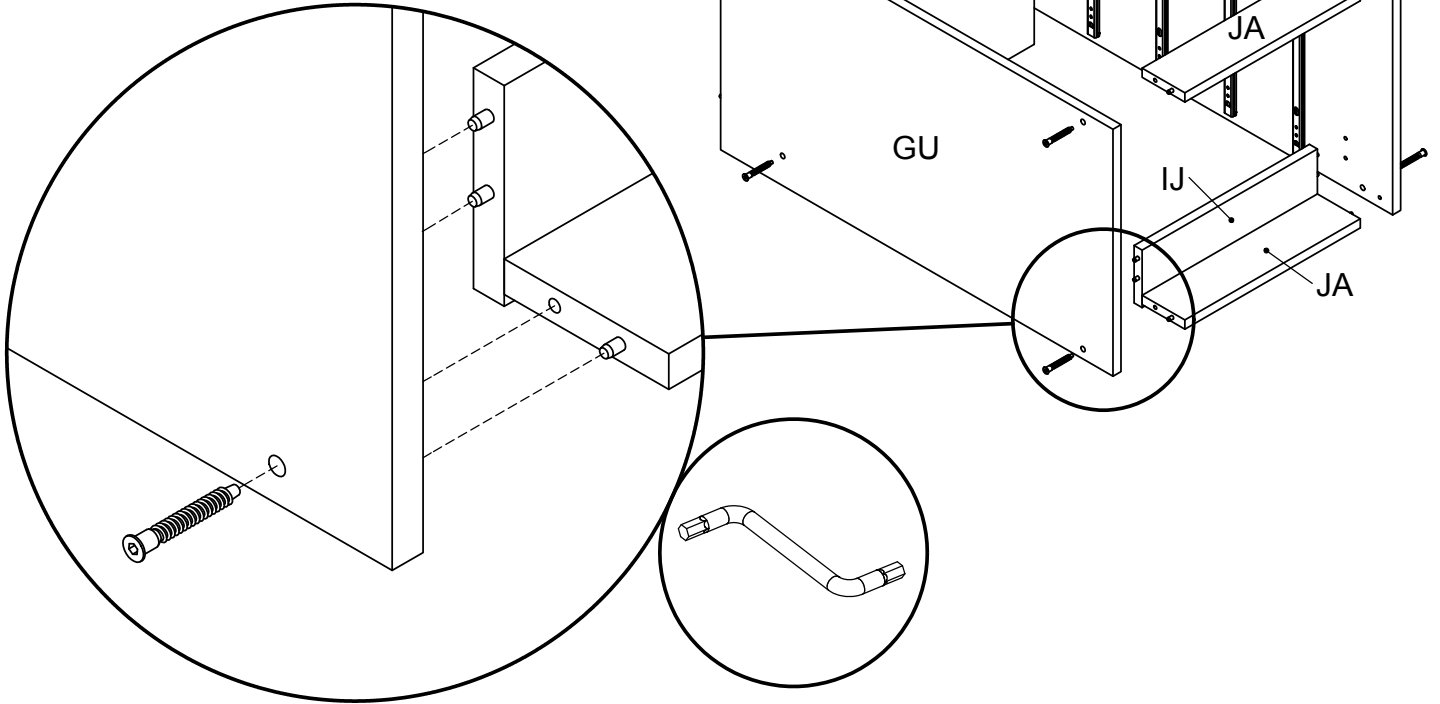
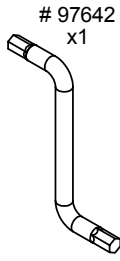
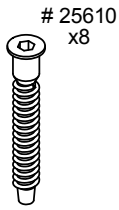
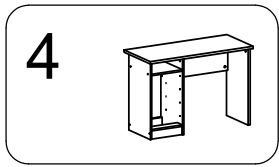


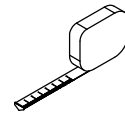
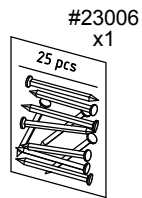
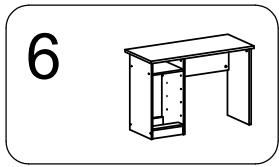
3.



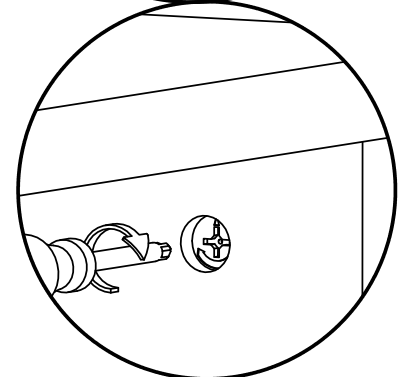
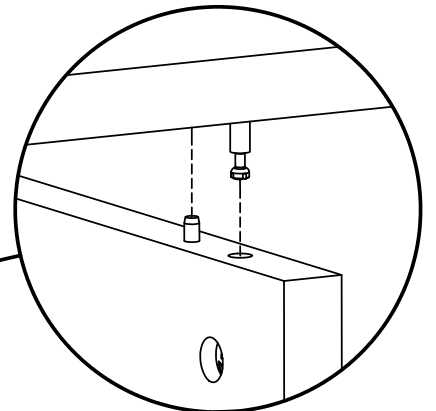
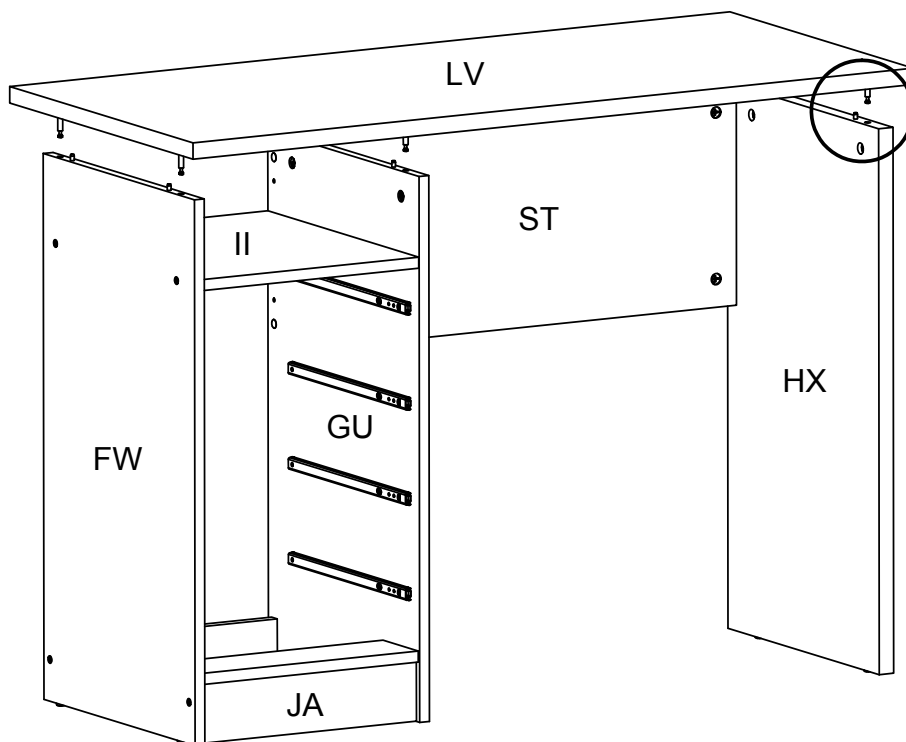
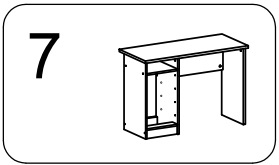
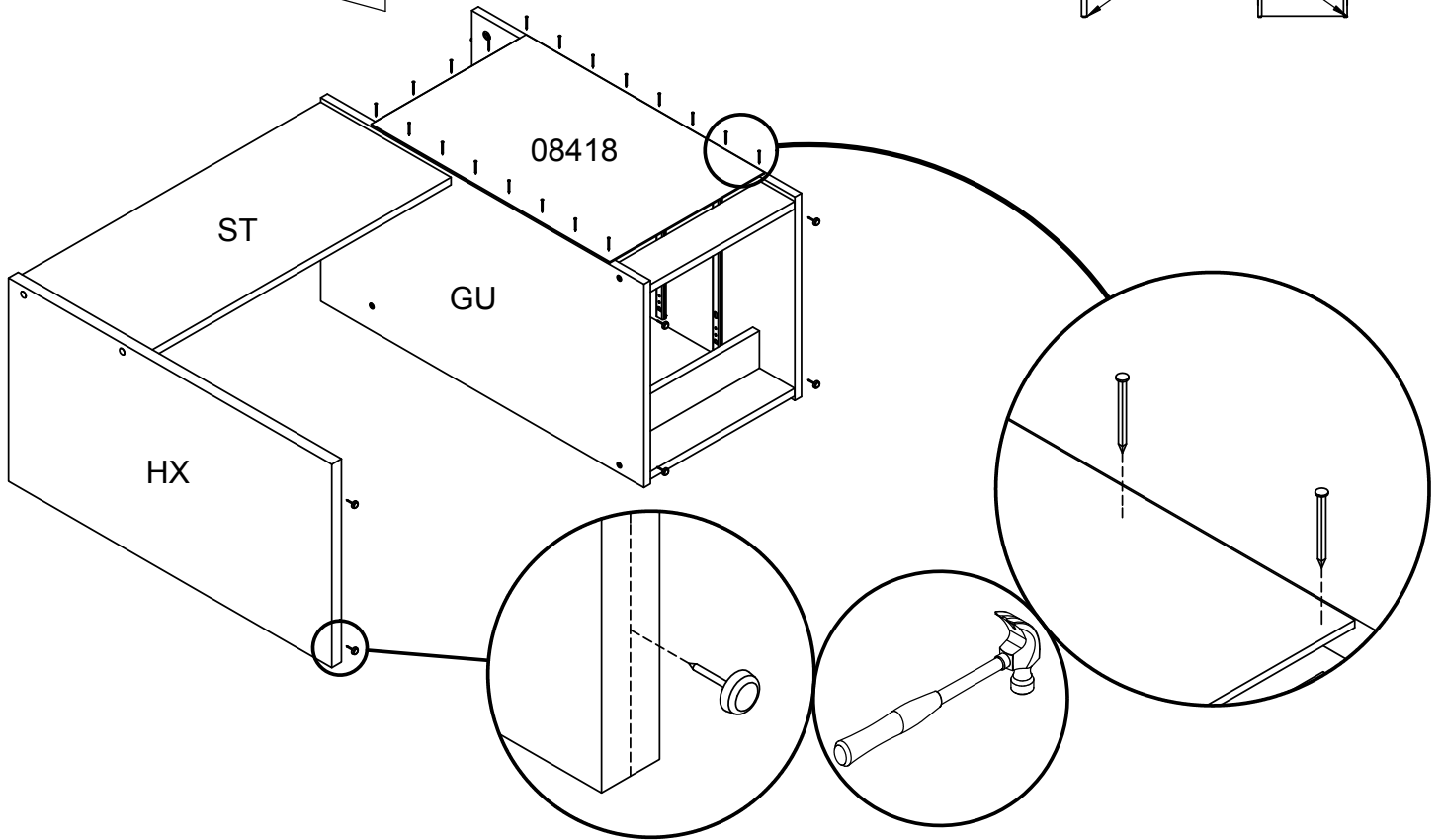
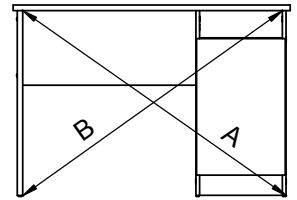
4.

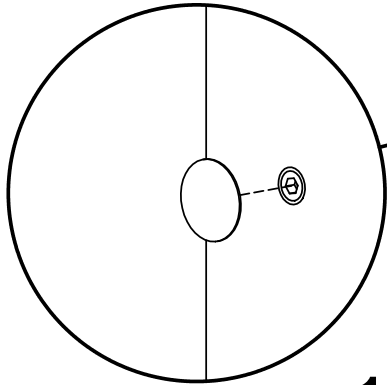
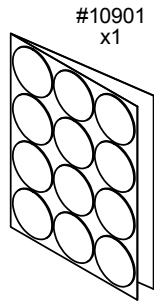
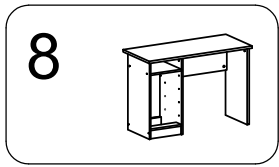




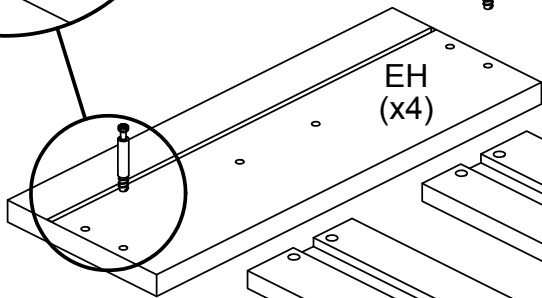
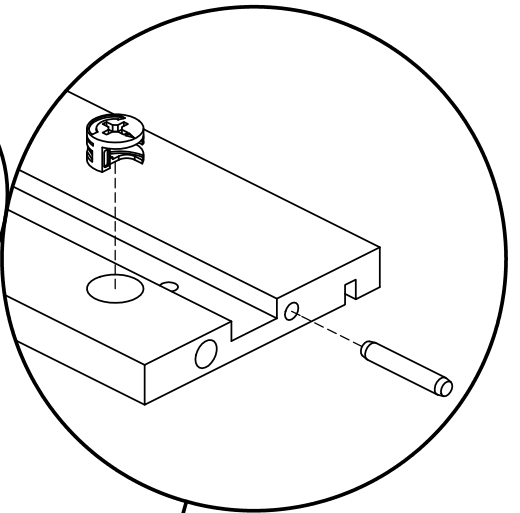
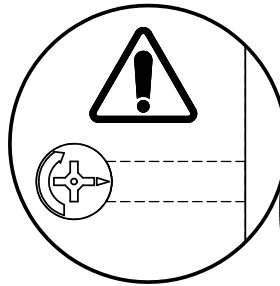
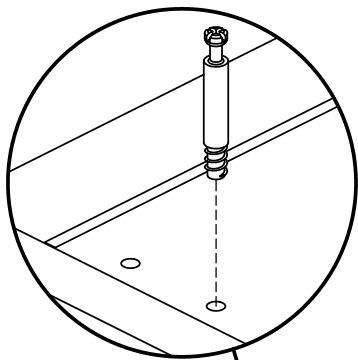
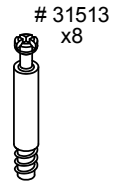
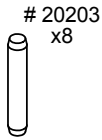
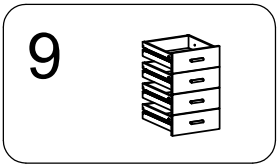
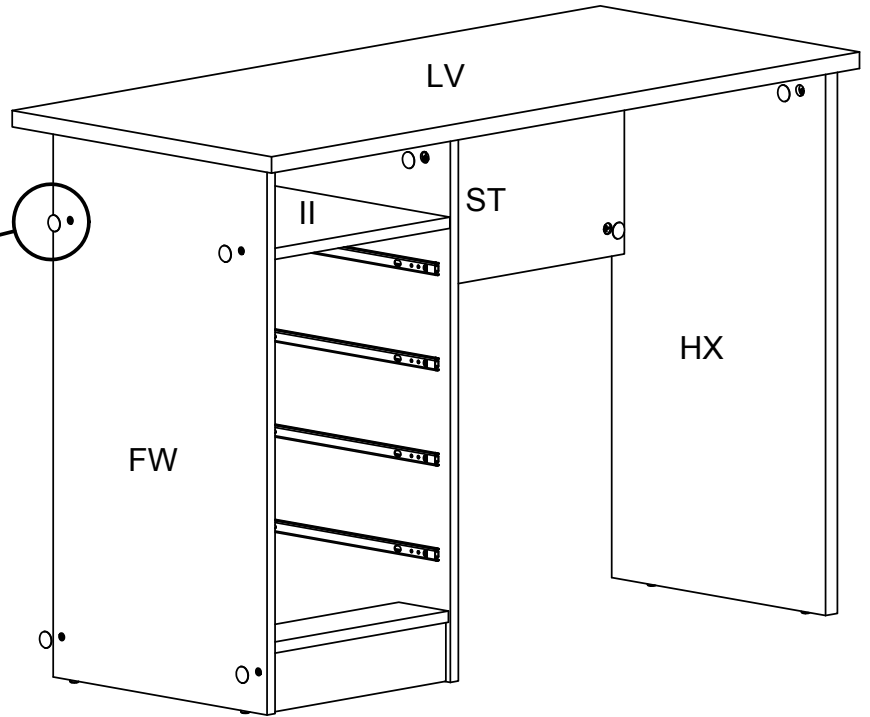


A=B



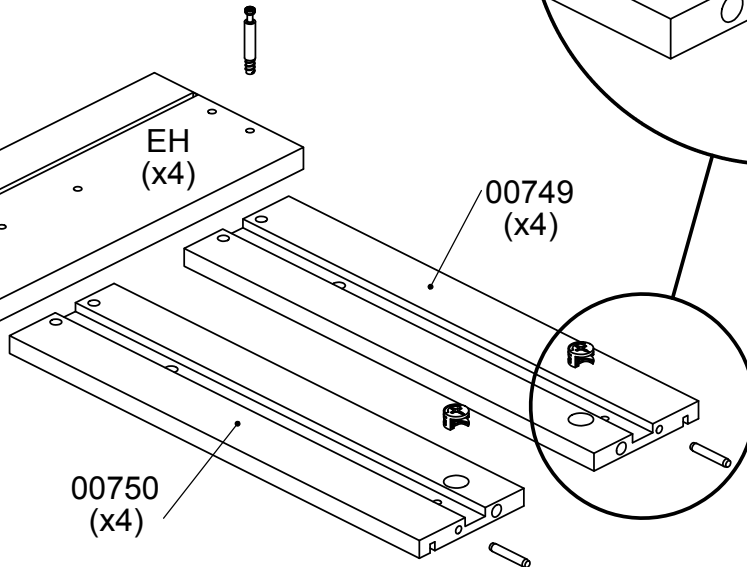


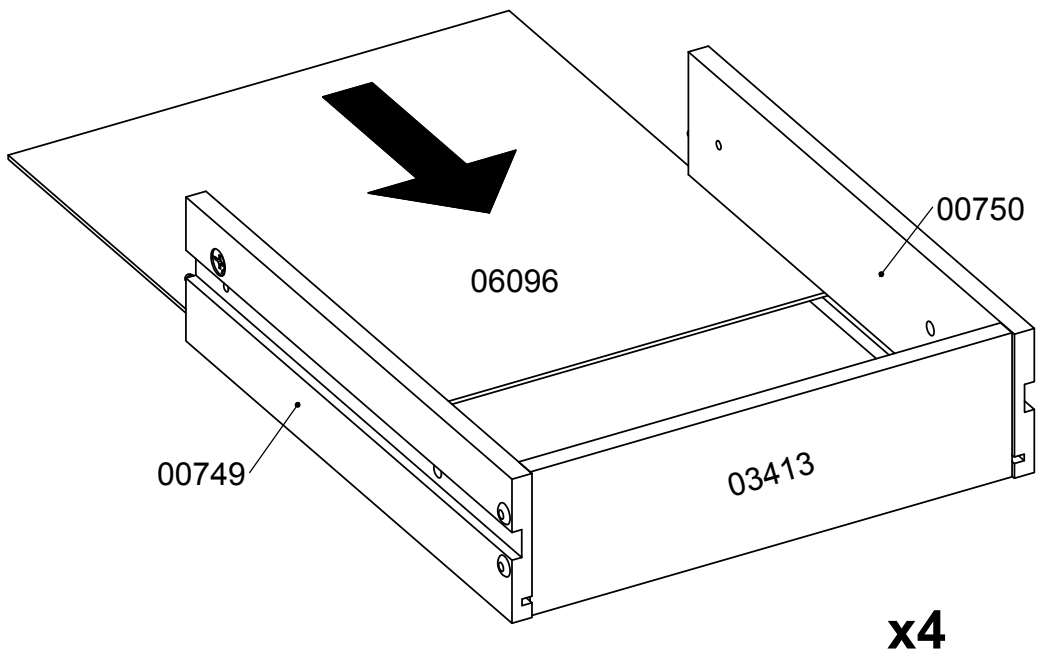
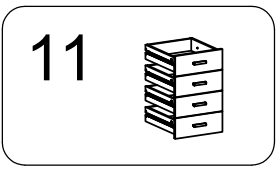
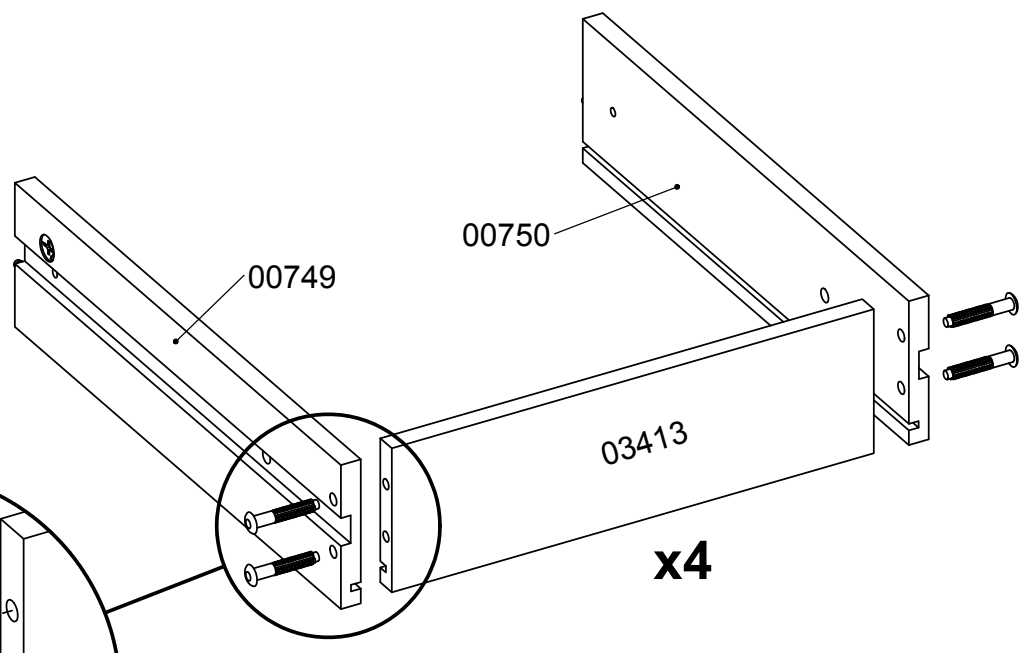
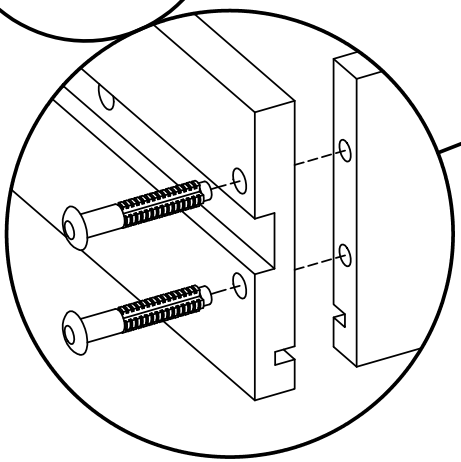
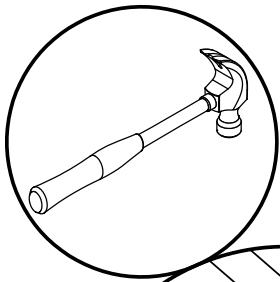
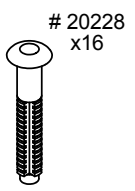
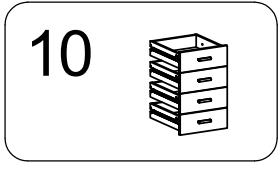
x19



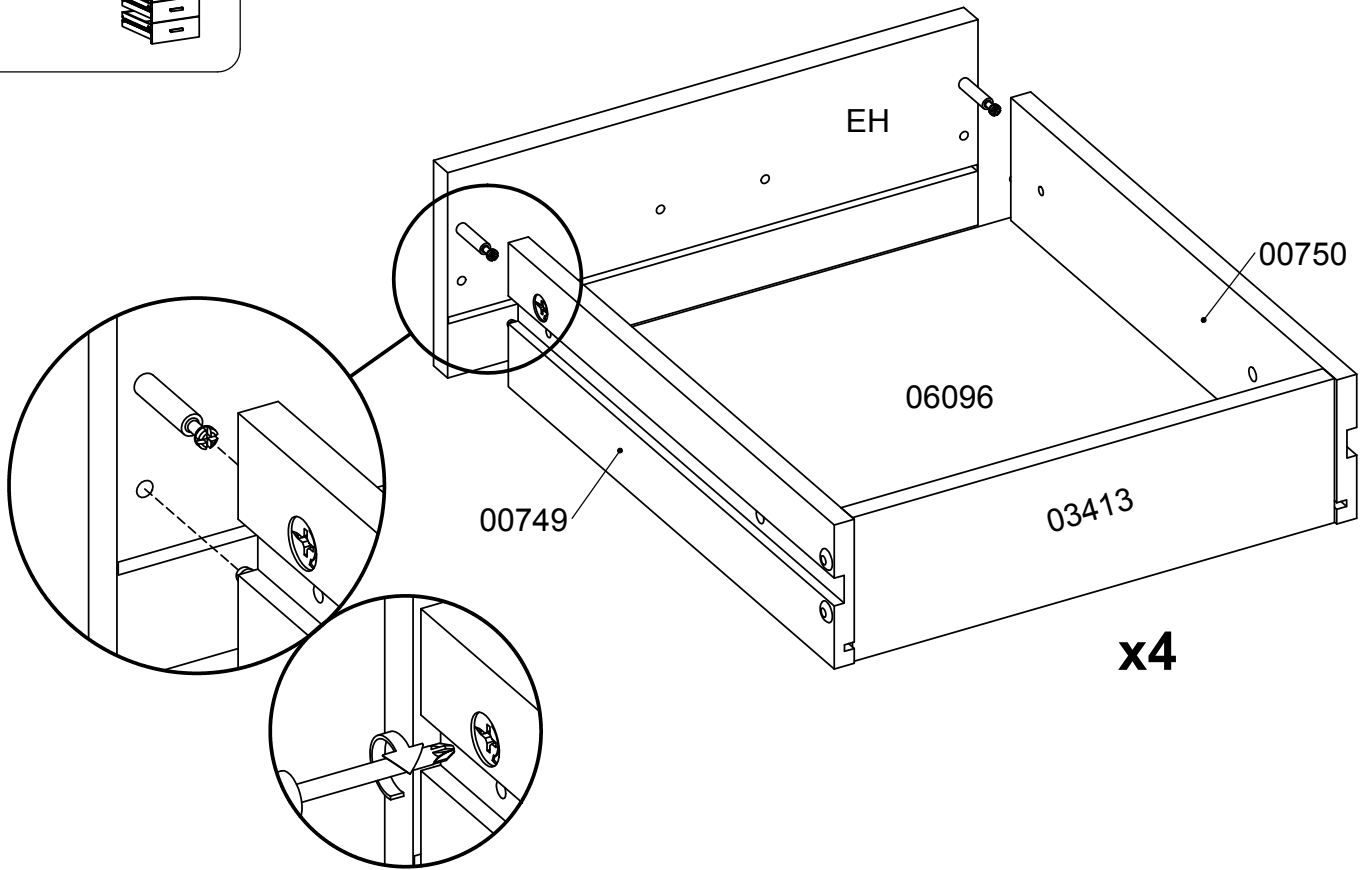
00749
(x4)

00750
(x4)





12



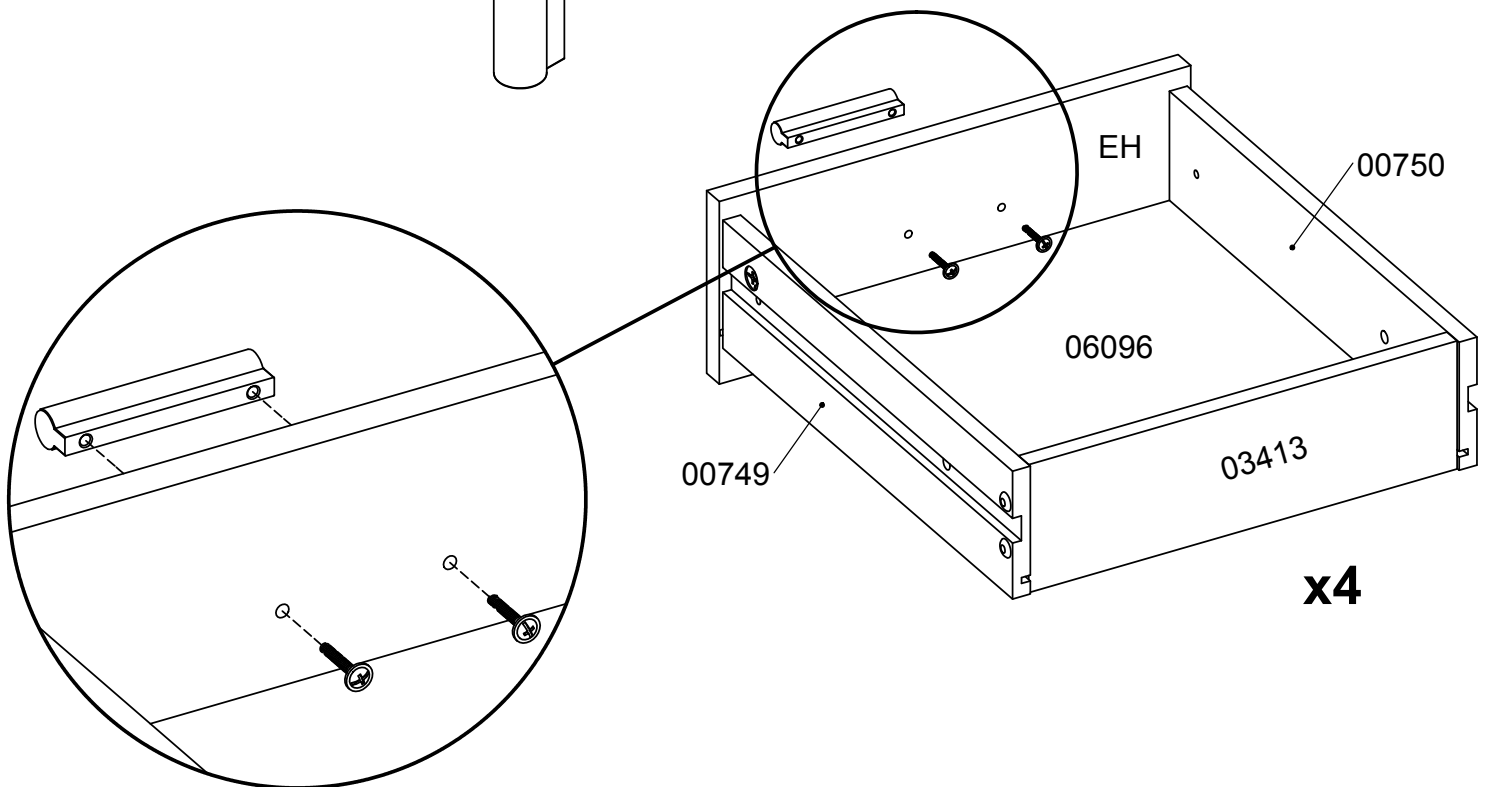
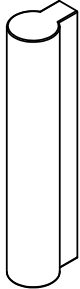
13

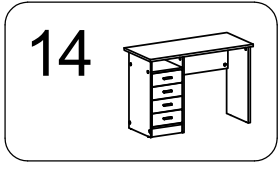


26230
x8



80220
x4





26214
x8

