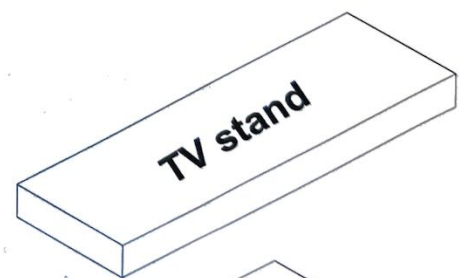
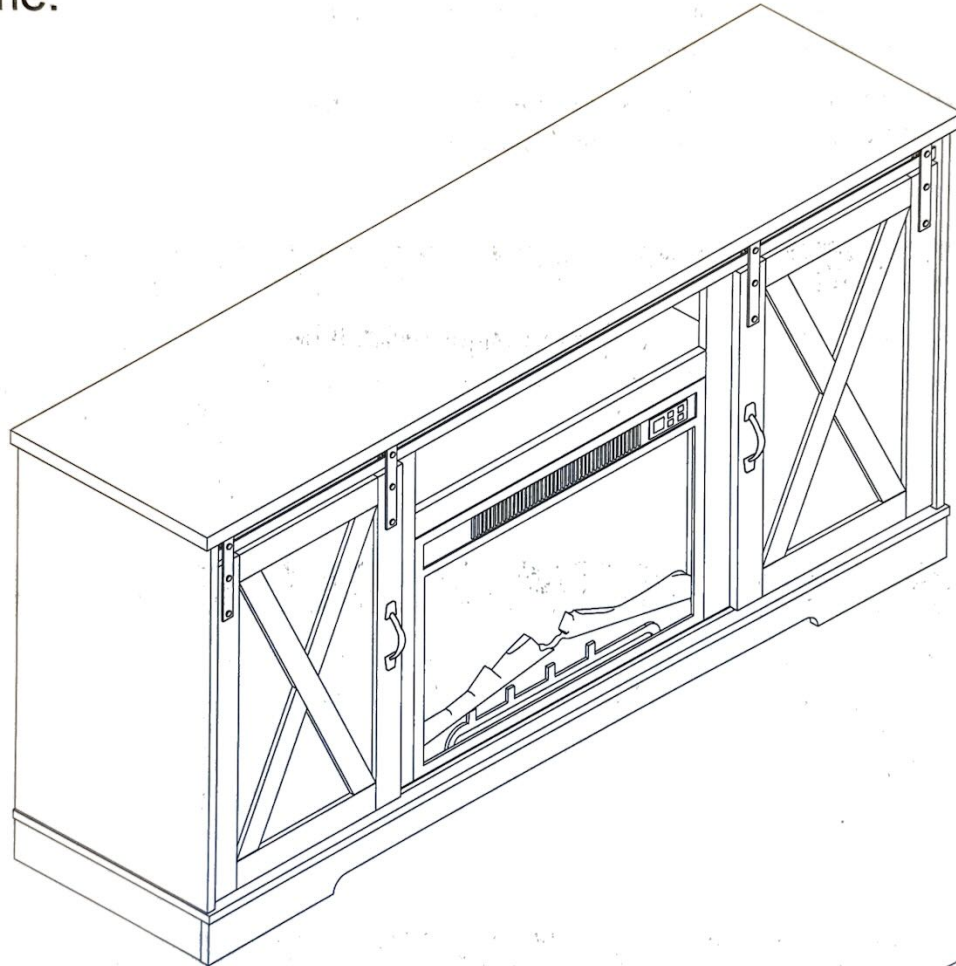


TV Stand

Assembly Instructions - Please keep for future reference 1016603#

⚠ Note:

Comes with TWO PACKAGES with TWO TRACKINGS, may NOT be delivered at the same time.



Carton 1 of 2



Carton 2 of 2

Dimensions

Width - 59inch
Depth - 15.7inch
Height - 30inch

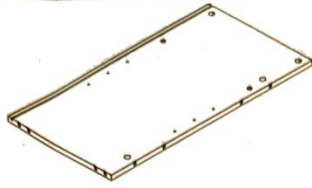
Important – Please read these instructions fully before starting assembly

Components - Panels

Please check you have all the panels listed below



1 (676X345X15mm)X1



2 (665X345X15mm)X1



3 (665X345X15mm)X1



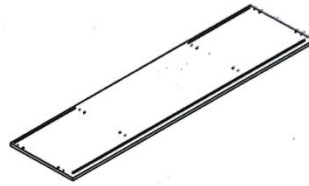
4 (605X60X15mm)X1



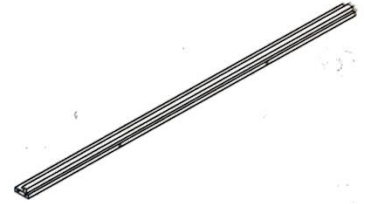
5 (605X60X15mm)X1



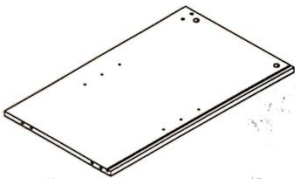
6 (586X48X15mm)X1



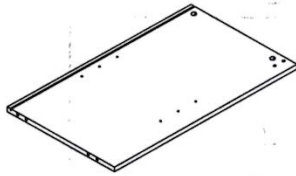
7 (1476X395X15mm)X1



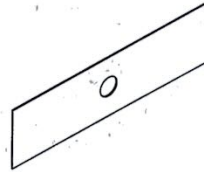
8 (1440X60X30mm)X1



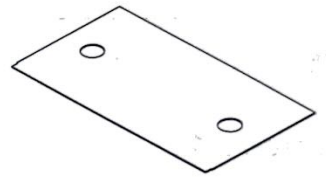
9 (665X388X15mm)X1



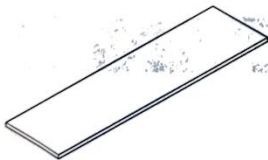
10 (665X388X15mm)X1



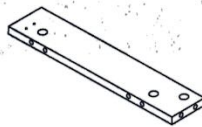
11 (686X189X3mm)X1



12 (675X377X3mm)X2



13 (1500X395X25mm)X1



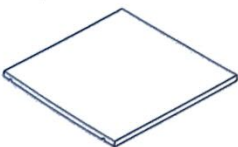
14 (377X75X15mm)X1



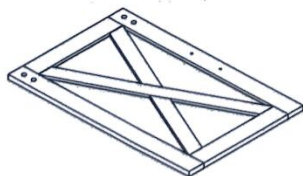
15 (377X75X15mm)X1



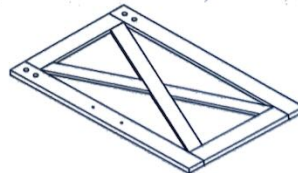
16 (1472X75X15mm)X1



17 (365X343X15mm)X2



18 (605X381X15mm)X1

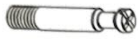



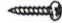





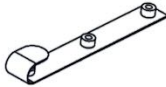








19 (605X381X15mm)X1

Components - Fittings

Please check you have all the panels listed below

Note: The quantities below are the correct amount to complete the assembly. In some cases more fittings may be supplied than are required.

A  Male Camlock x 29	B  Female Camlock x 29	C  Dowel x 39
D  Shelf Support Pin x 8	E  3.5*14mm Screw x 16	F  5*45mm Screw x 12
G  Handle & Fixings x 2	H  x 2	I  Protective Feet x 6
J  4*16mm Screw x 8	K  Pulley x 4	L  6*12mm Screw x 8
M  Plate x 4	N  3*16mm Screw x 12	O  Adjustable Foot x 2
P  Screw x 12	Q  Wall Fixing Pack x 2	

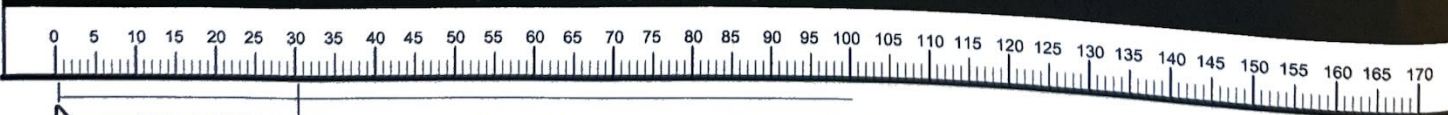


Tools required



Phillips screwdriver
(medium & large)

Ruler - Use this ruler to help correctly identify the screws



The screws length is measured from the head to the point (30mm screw shown).

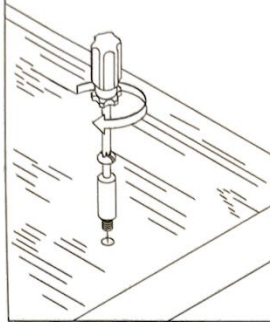
Using Camlocks

Step 1

Connect the male camlock as directed in the assembly instructions using a screwdriver.

1

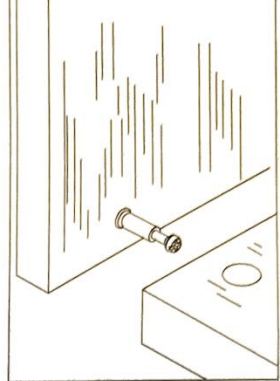
DO NOT OVER TIGHTEN.
NE PAS SERRER EXCESSIVEMENT.



Step 2

Push the male camlock into the entry hole.

2

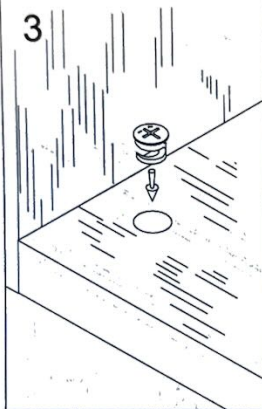


Step 3

Insert the female camlock as shown in the instruction.

Note: ensure that the arrow on the top of the camlock points towards the entry hole for the male camlock.

3



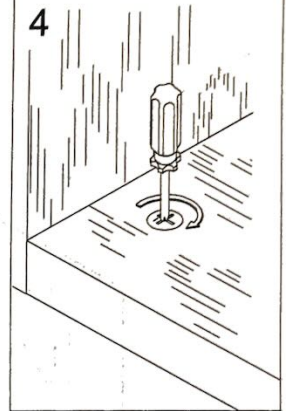
Step 4

Turn the female camlock clockwise with a screwdriver.

You should feel a click when the camlock is locked in place.

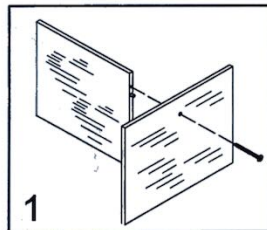
The joint is now secure.

4



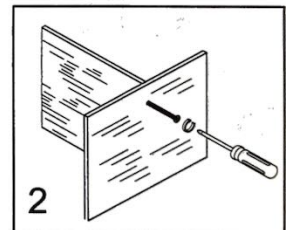
Step 1

1

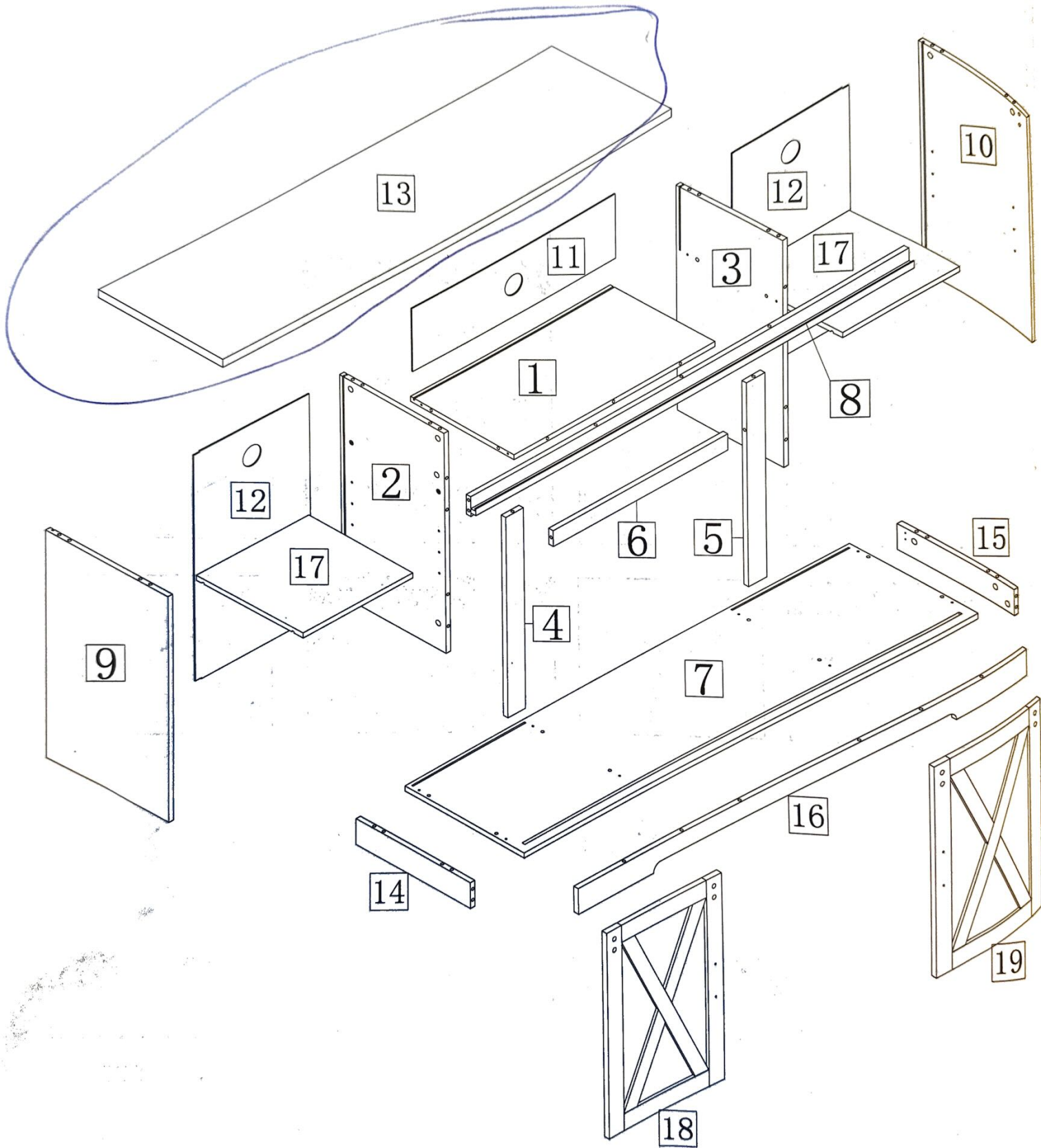


Step 2

2

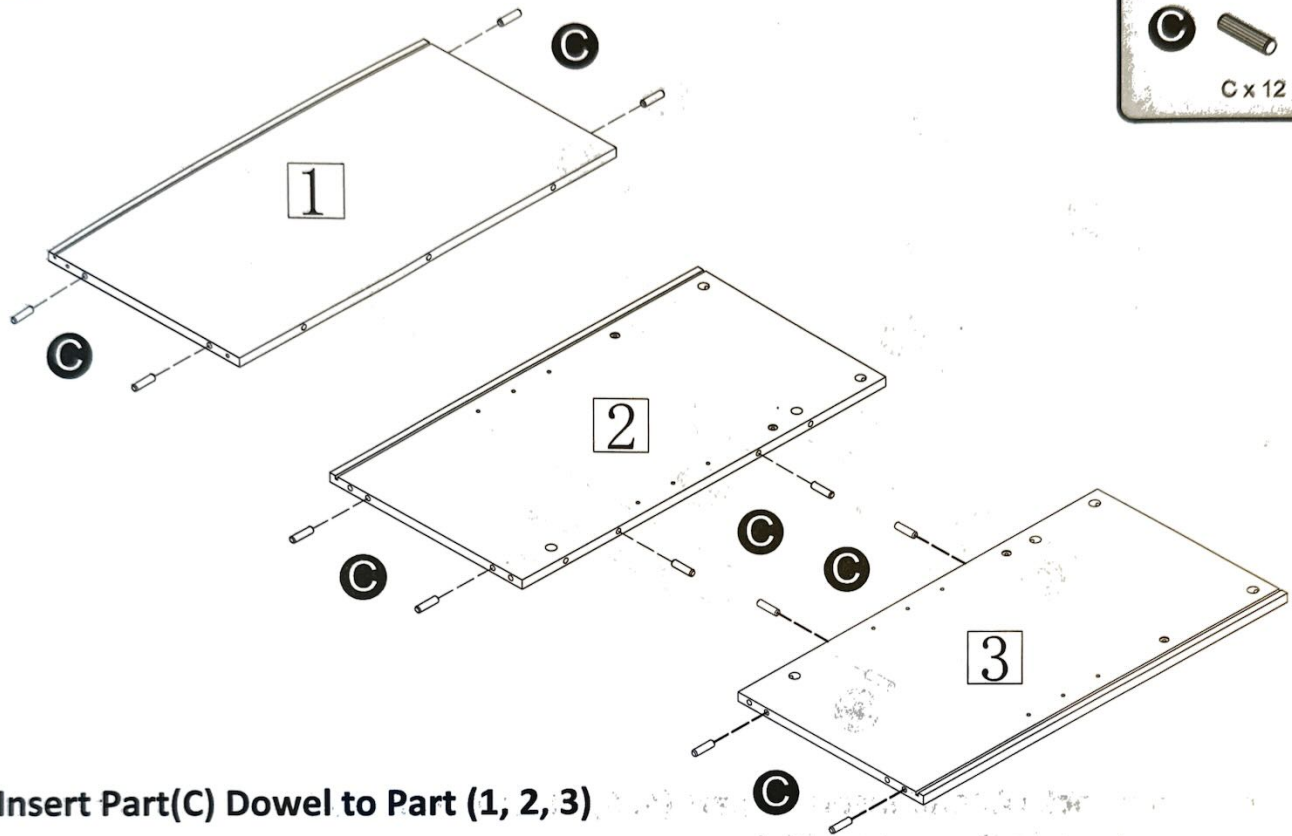


Assembly Instructions



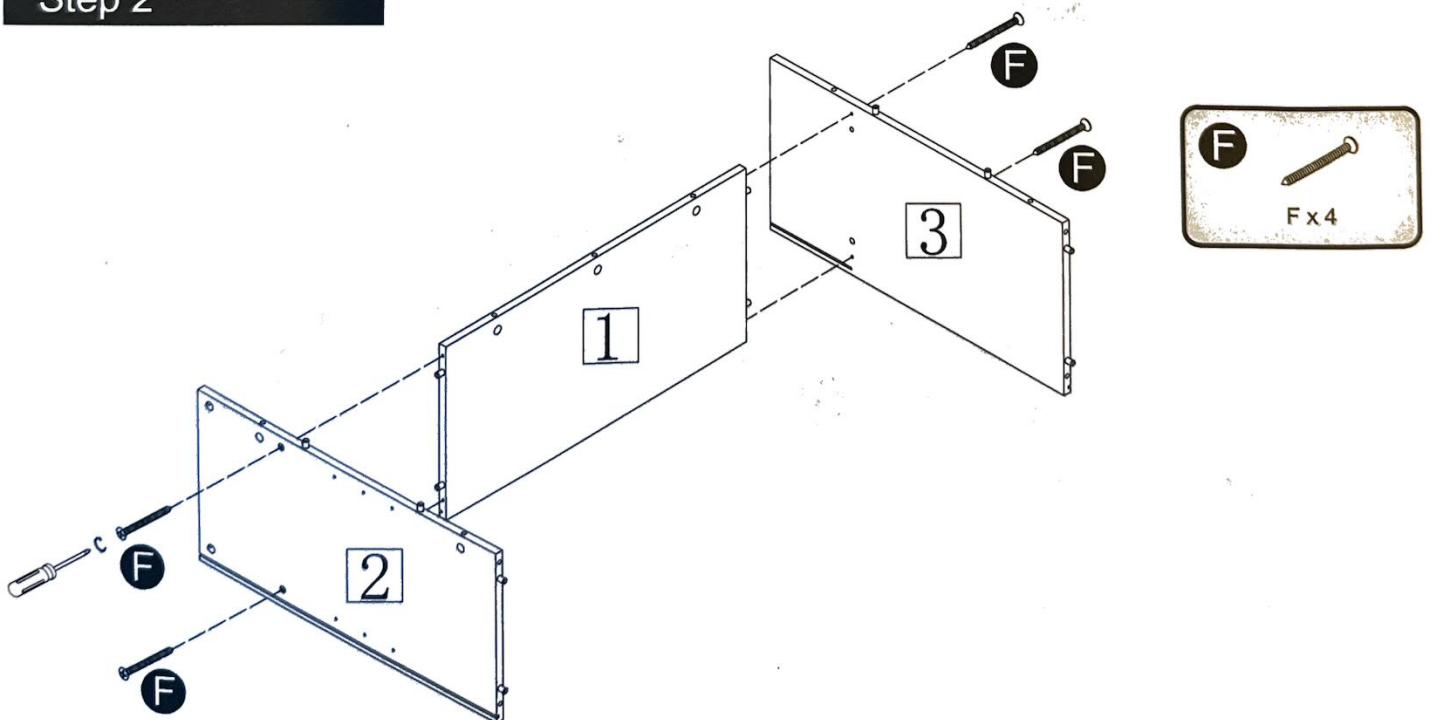
Assembly Instructions

Step 1



Insert Part(C) Dowel to Part (1, 2, 3)

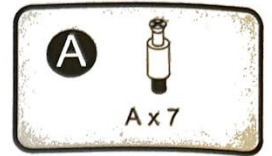
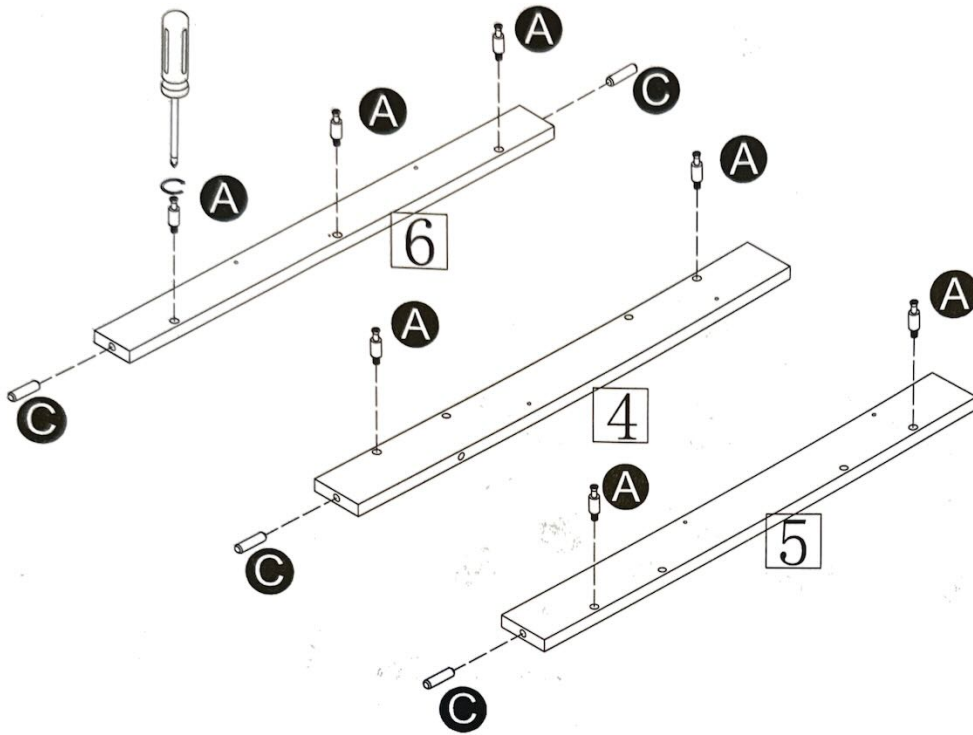
Step 2



Insert Part(2, 3) to Part (1).
Then Screw Part(F) with a screwdriver

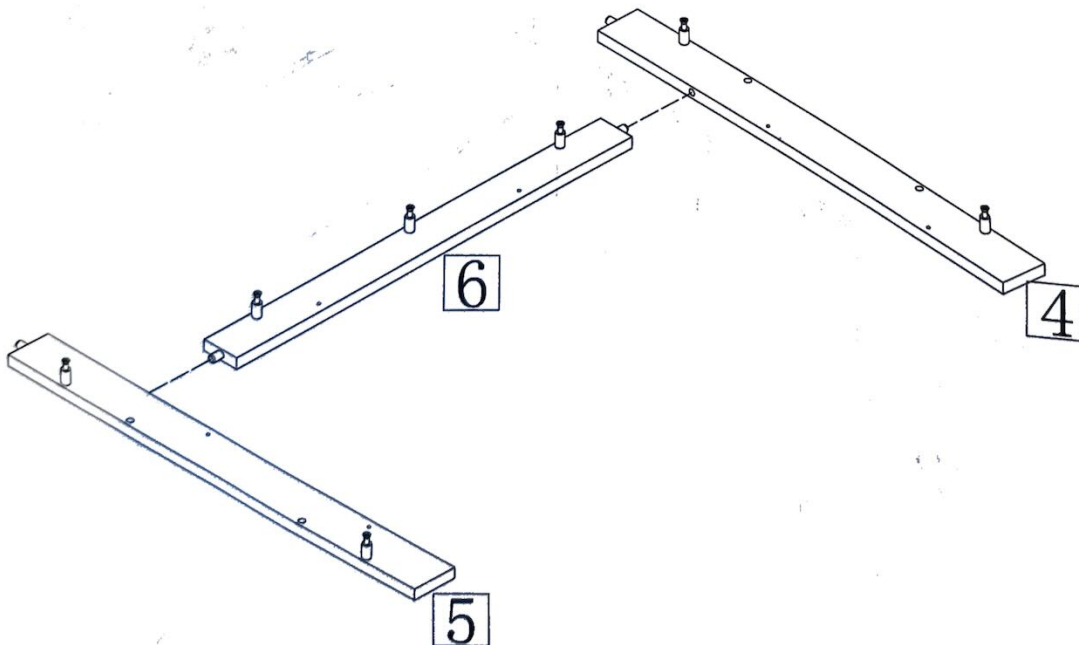
Assembly Instructions

Step 3



Attach male camlock (A) and insert to part (4, 5, 6) with a screwdriver.
Insert wooden dowel (C) into part (4, 5, 6).

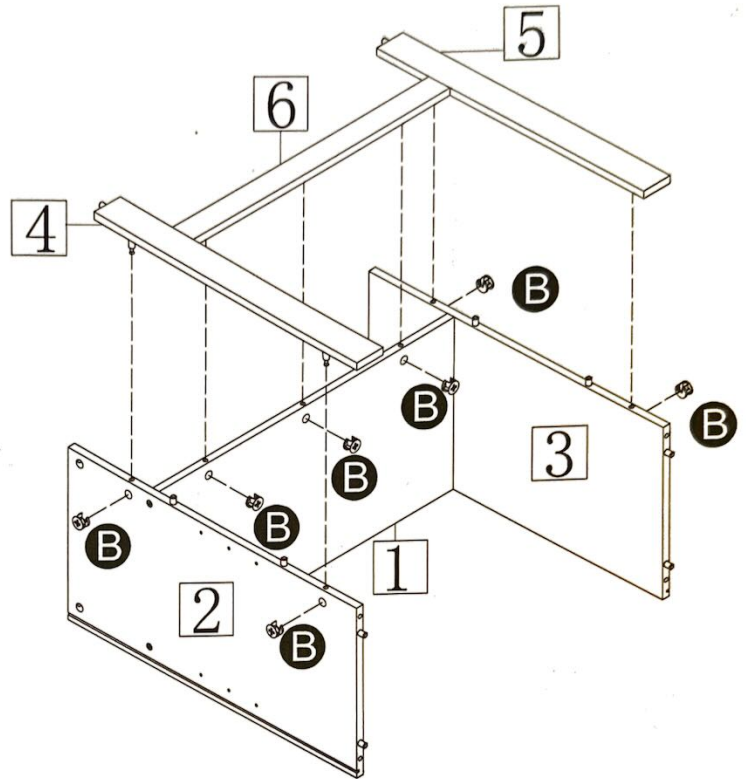
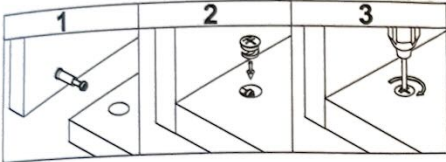
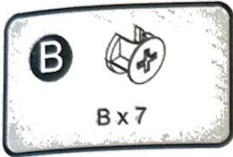
Step 4



Insert Part(6) to Part(4, 5)

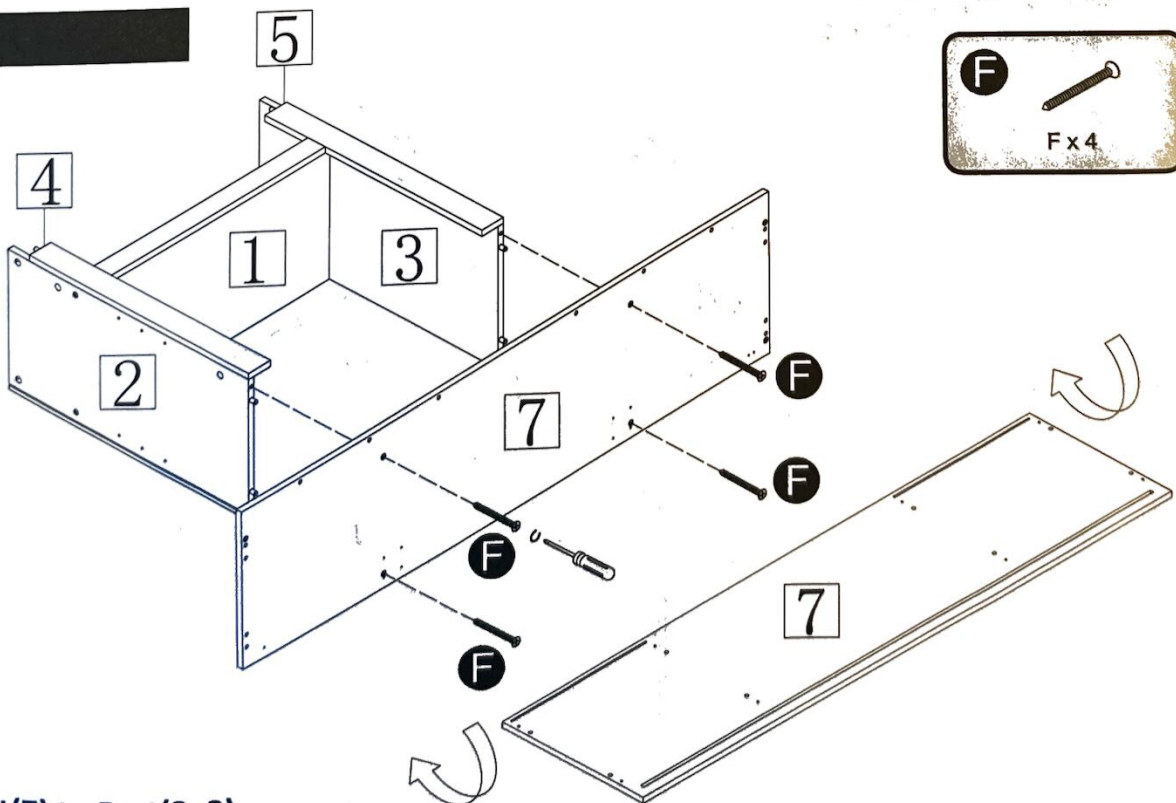
Assembly Instructions

Step 5



Aim corresponding holes and attach two sections, then insert camlock (B) and secure.

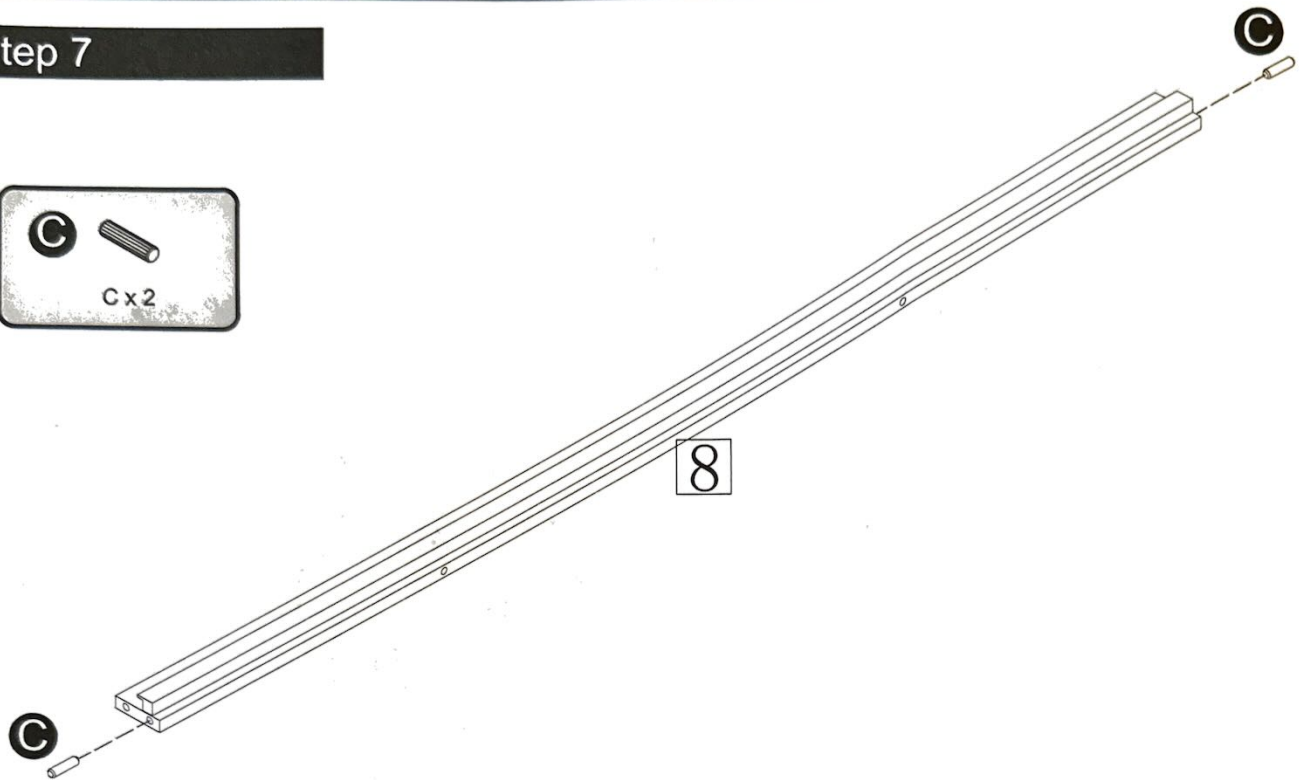
Step 6



Attach Part(7) to Part(2, 3).
Please note: The direction of Part (7). The sliding groove in part(7) should toward upward.
Then Screw (F) to lock with a screwdriver.

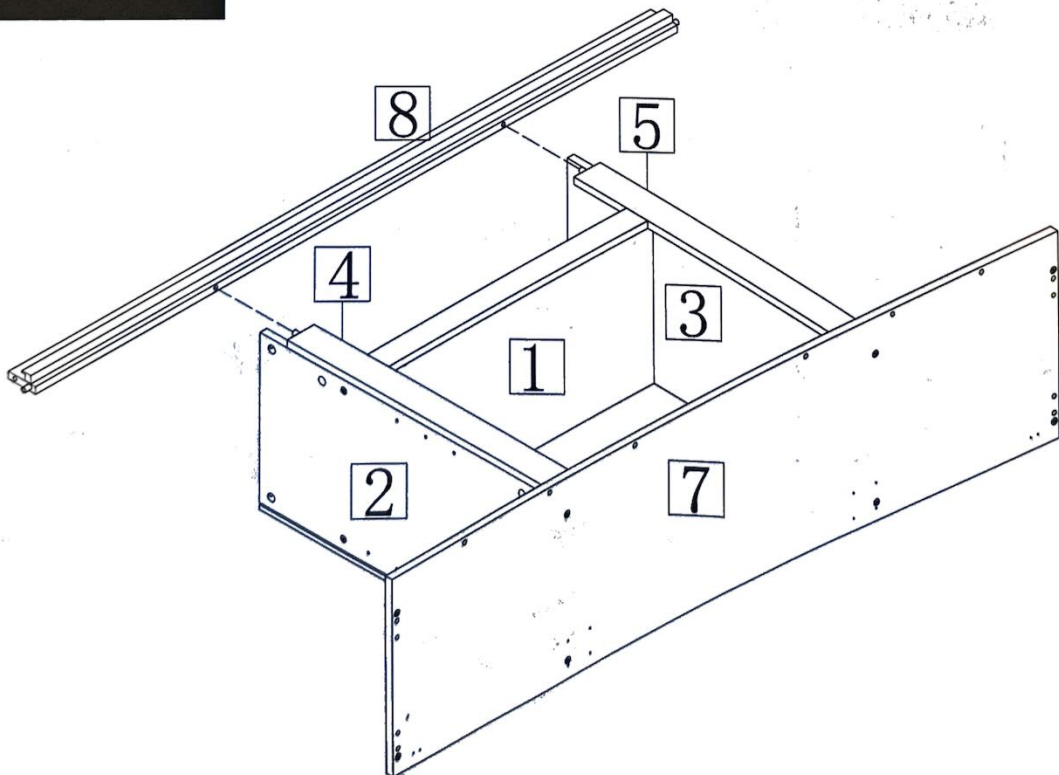
Assembly Instructions

Step 7



Insert Part(C) Dowel to Part (8)

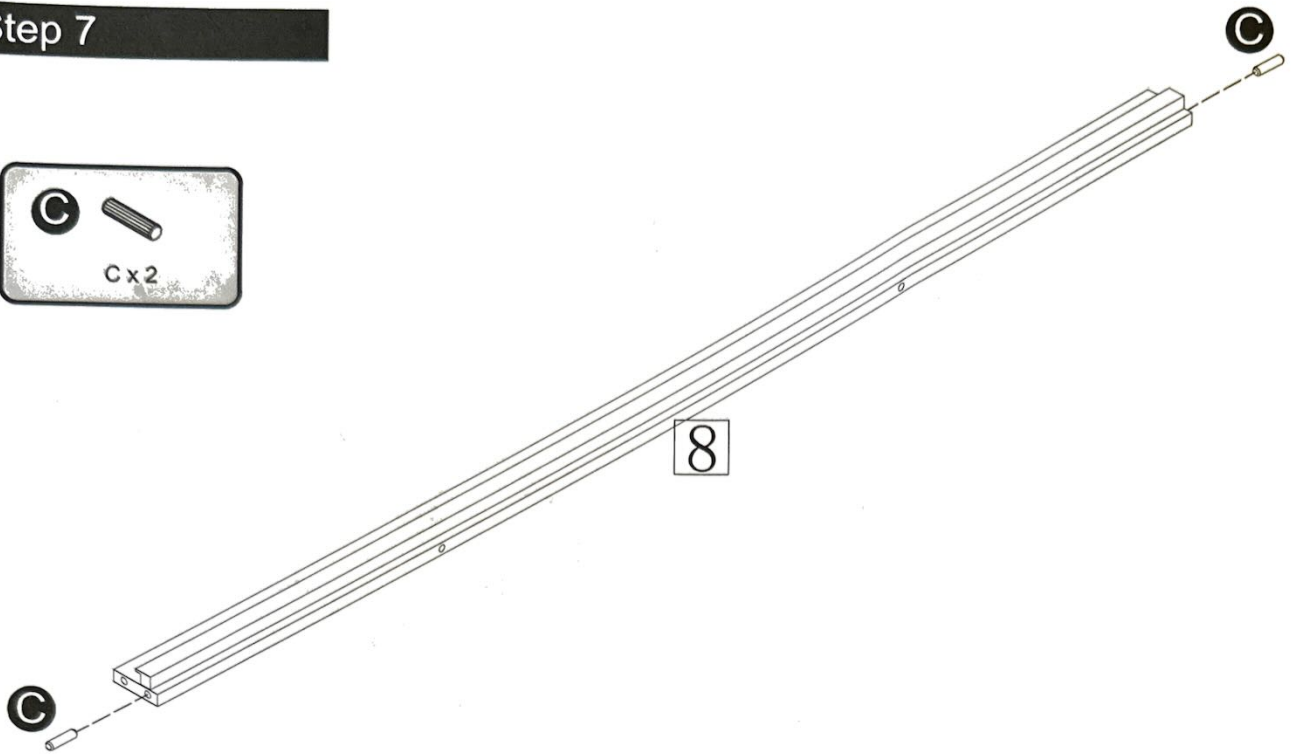
Step 8



Insert Part (8) to Part(4,5)

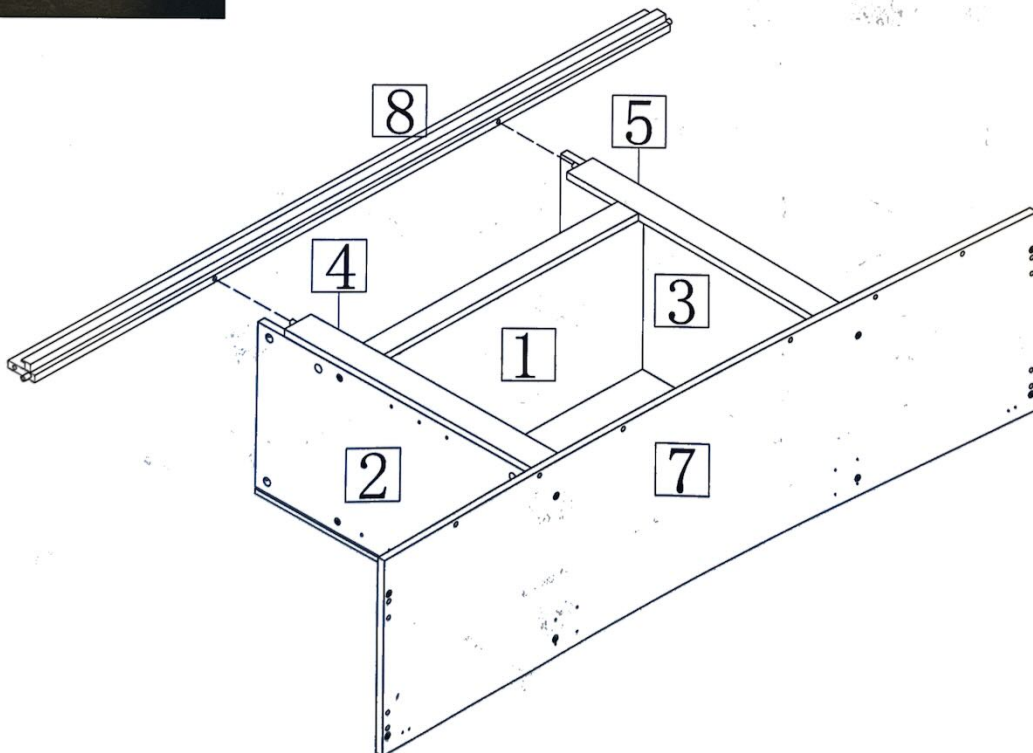
Assembly Instructions

Step 7



Insert Part(C) Dowel to Part (8)

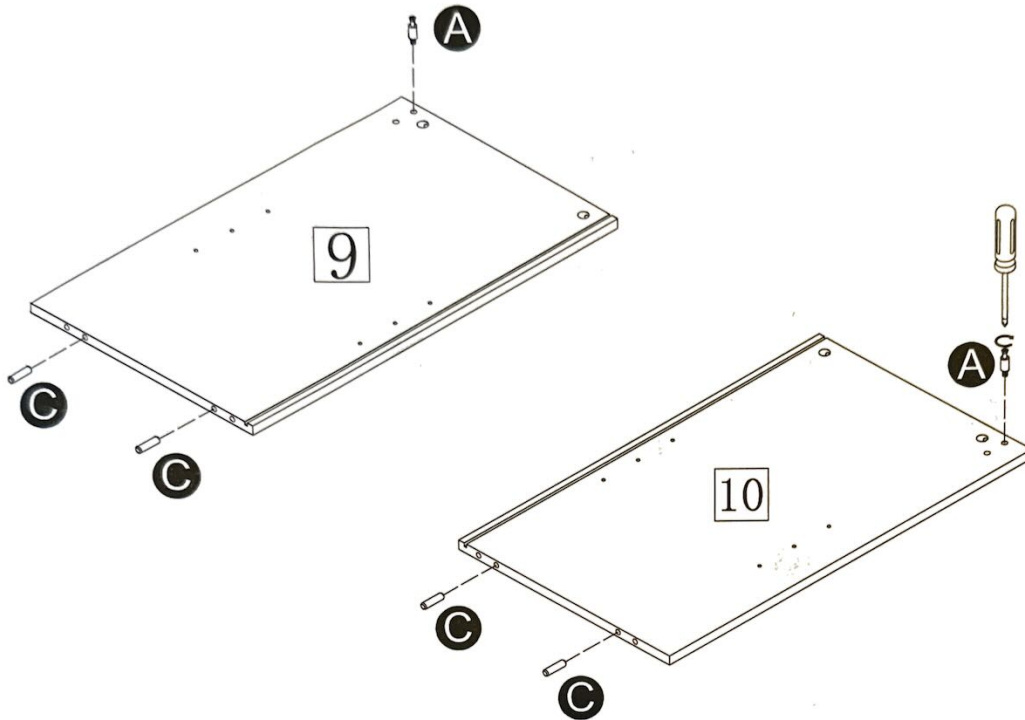
Step 8



Insert Part (8) to Part(4,5)

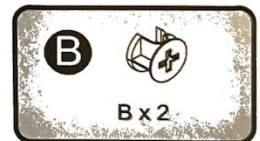
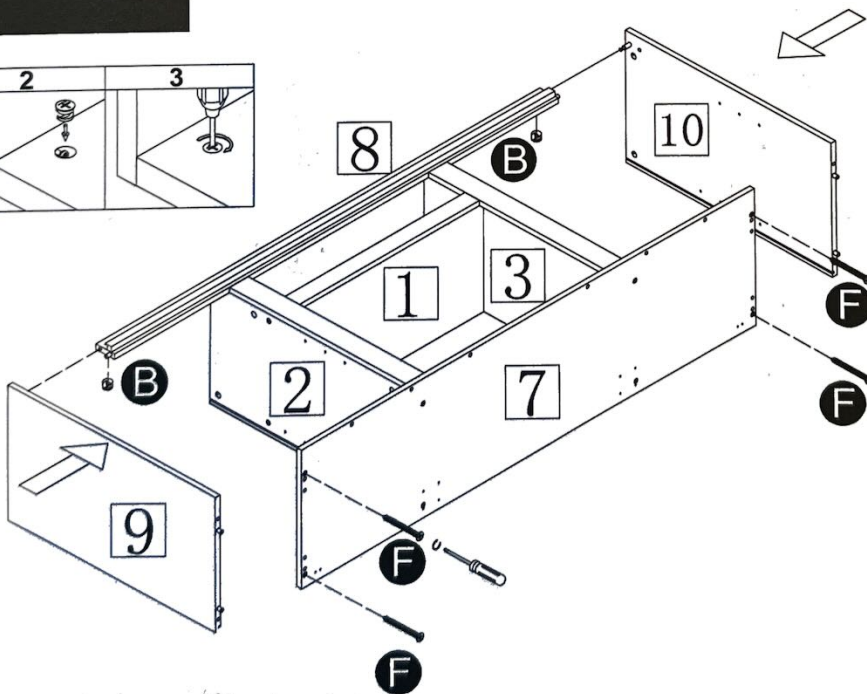
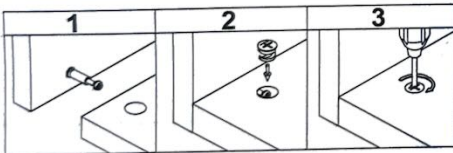
Assembly Instructions

Step 9



Attach male camlock (A) and insert to part (9, 10) with a screwdriver.
Insert wooden dowel (C)

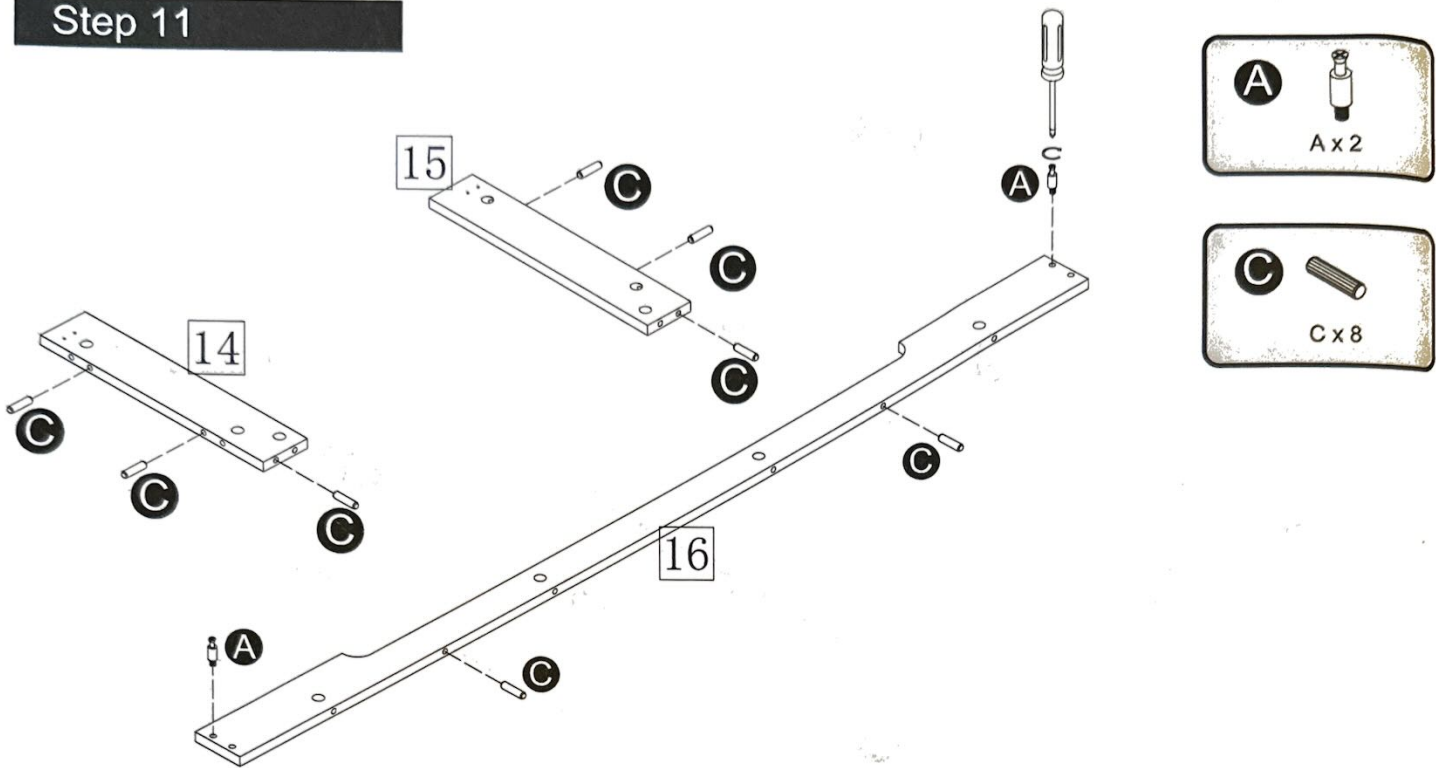
Step 10



At first, fit Part(9) to Part(7), then aim Part(9) to Part (8).
Insert Female Camlock(B) and lock them.
Repeat same step to Part(10). Then Screw (F) with screwdriver.

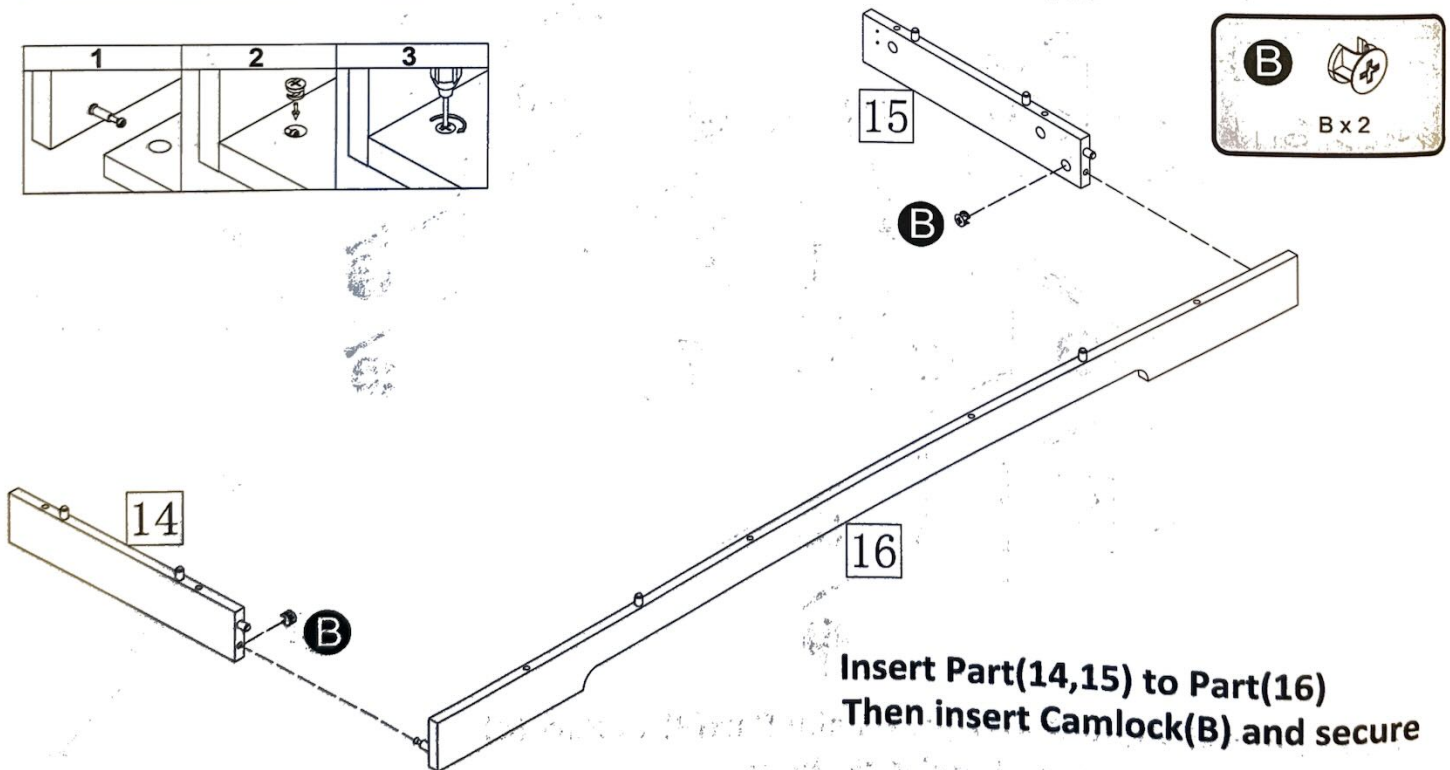
Assembly Instructions

Step 11



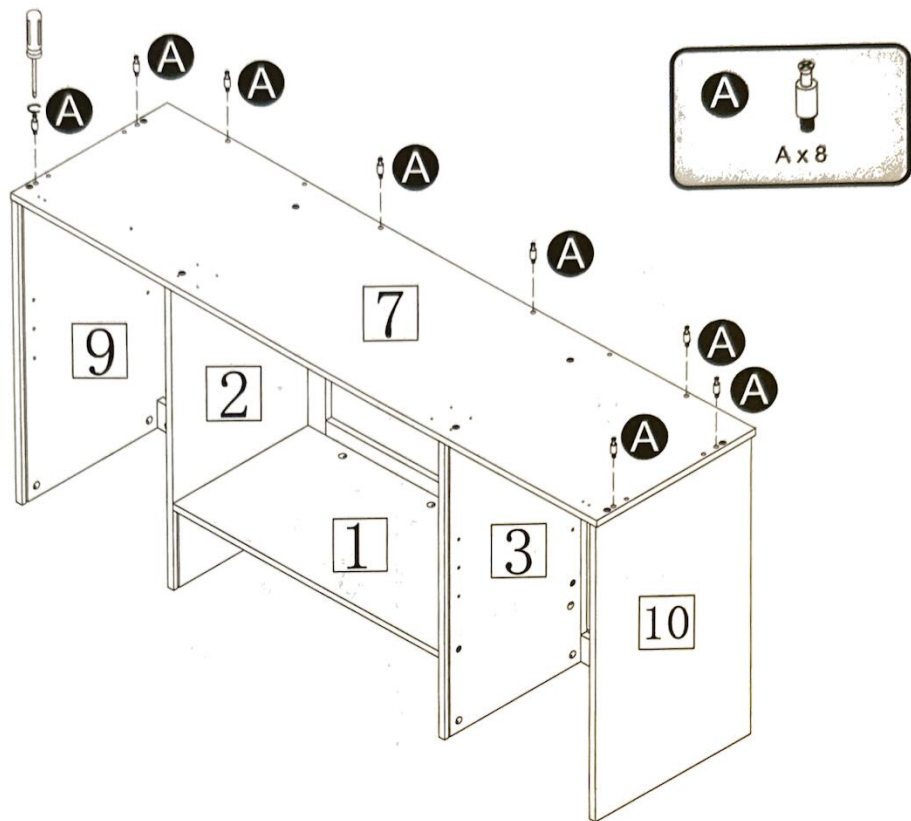
Attach male camlock (A) and insert to part (16) with a screwdriver.
Insert wooden dowel (C) to Part(14,15,16)

Step 12



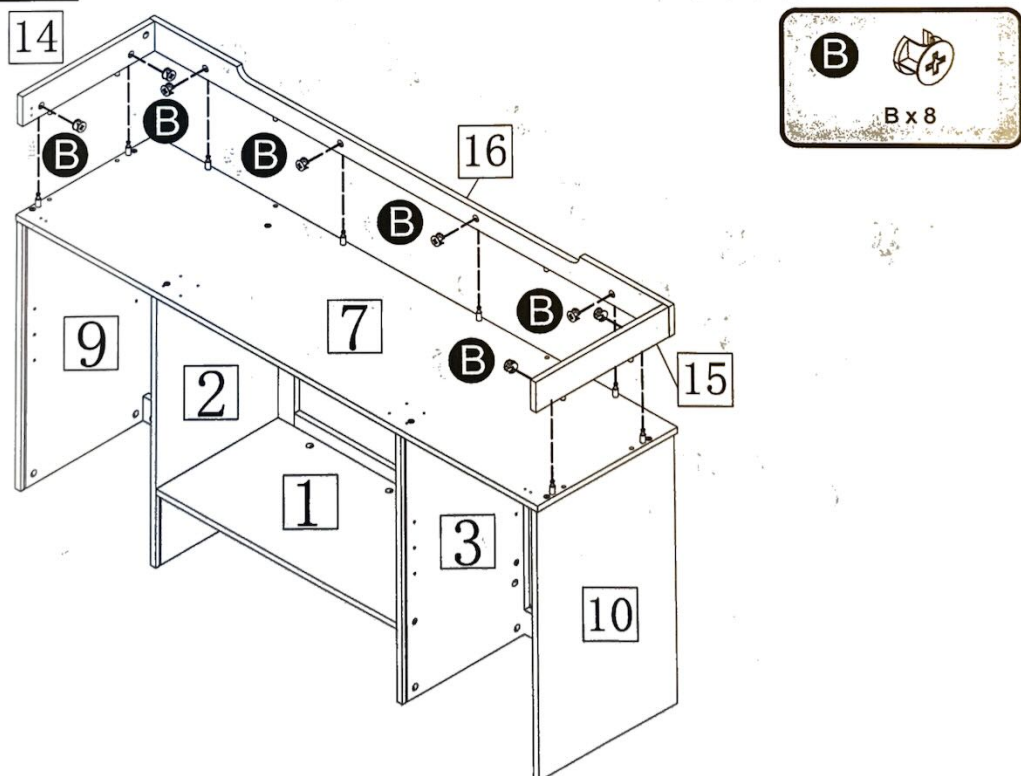
Assembly Instructions

Step 13



Attach male camlock (A) and insert to part (7) with a screwdriver.

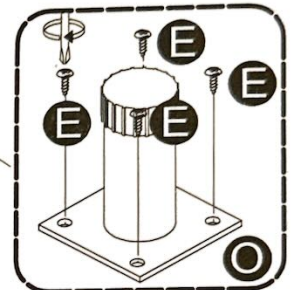
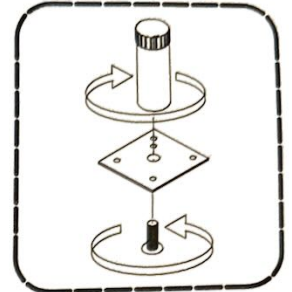
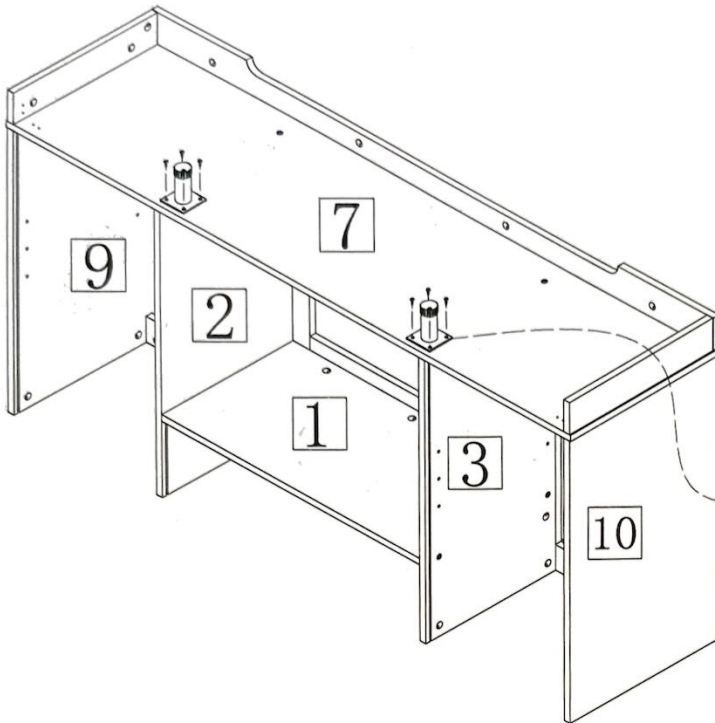
Step 14



Attach two sections together. Insert camlock (B) and secure.

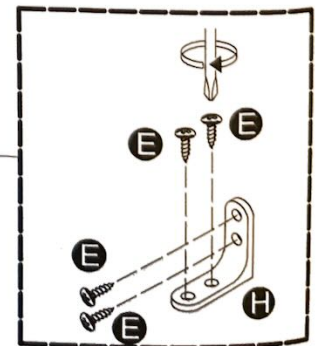
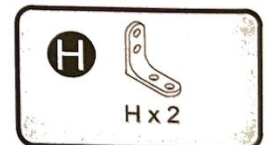
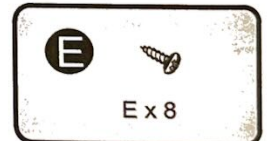
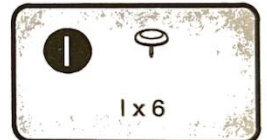
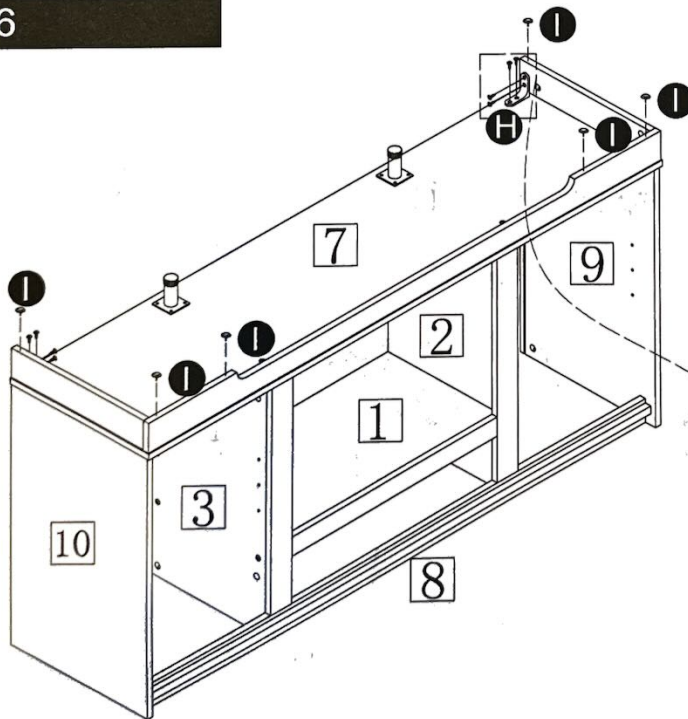
Assembly Instructions

Step 15



Attach adjustable leg (O) to part (7) using screw (E) with a screwdriver.

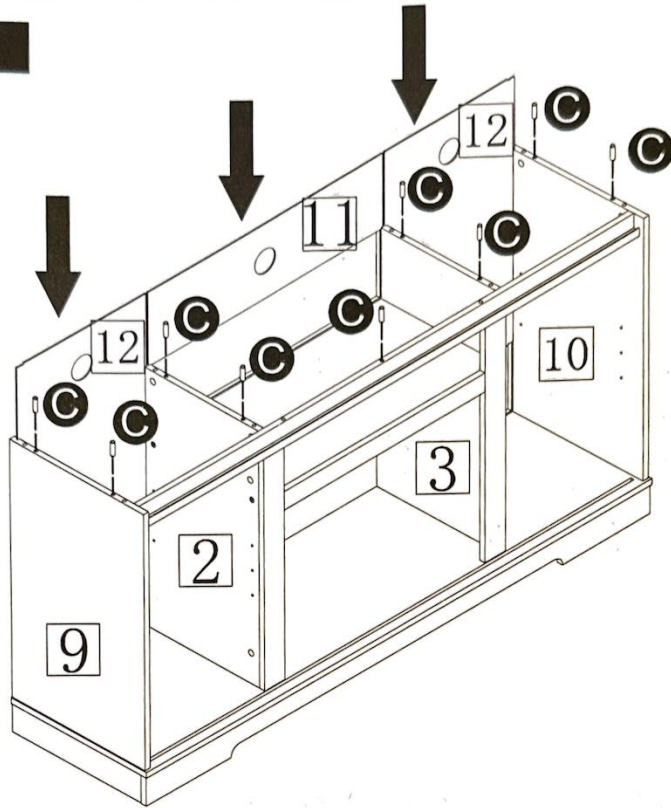
Step 16



Use L shape bracke (H) and screw (E) to attach part (10) and part (7).
Insert protective feet (I).

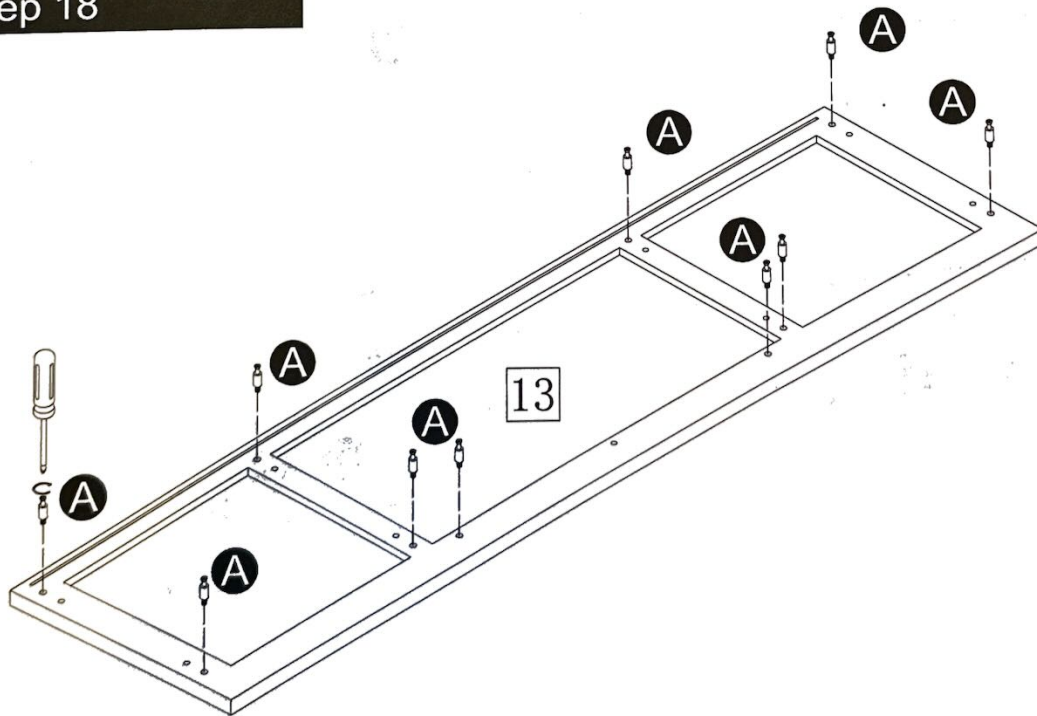
Assembly Instructions

Step 17



Insert wooden dowel (C)
Overturn TV stand then insert Part(11,12)

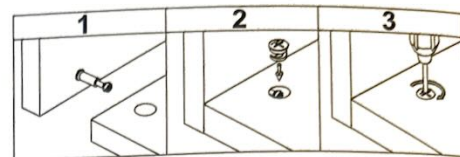
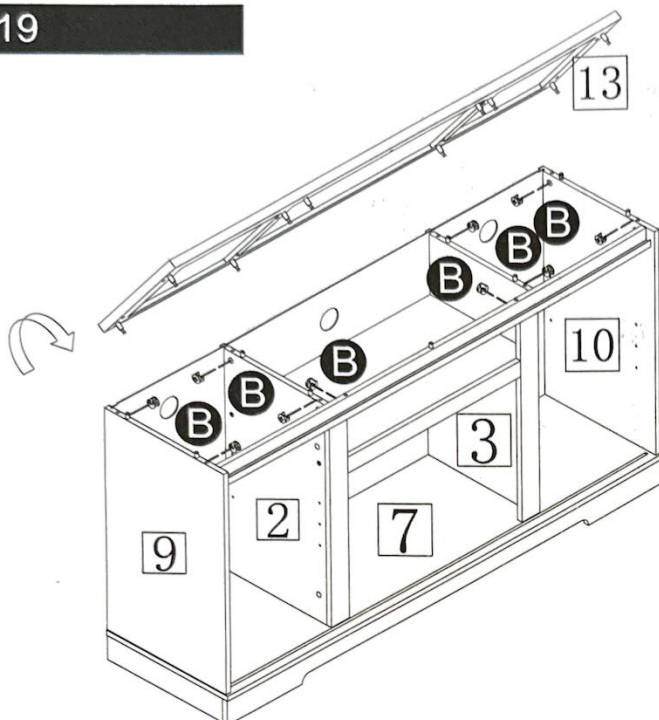
Step 18



Attach male camlock (A) to Part (13) with a screwdriver.

Assembly Instructions

Step 19

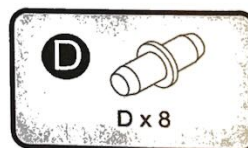
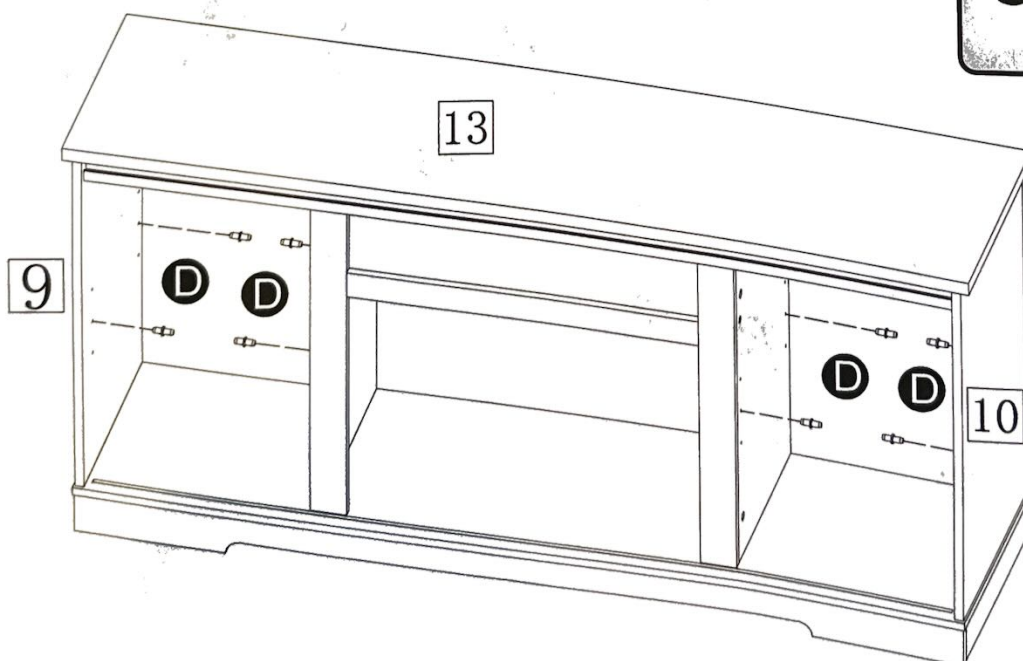


Aim male camlocks on Part(13) to the holes of TV stand.

Note: If you find Part (13) can't fit perfectly please adjust it and re-try. Part(13) should be flat and there is no gap between two section.

Then insert and secure female camlock (B).

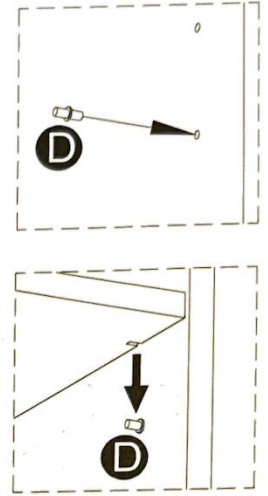
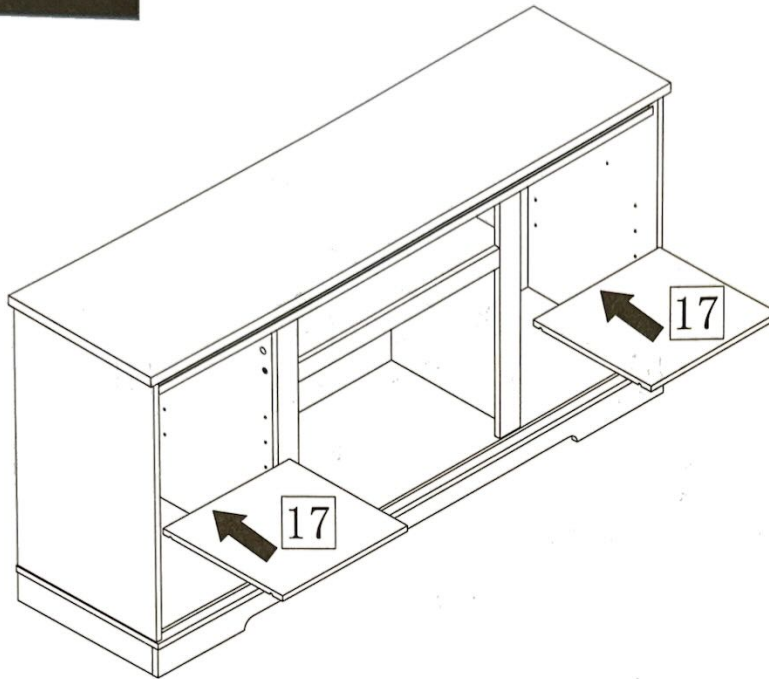
Step 20



Insert shelf support pin (D). There are 3 level of positions and you can choose one.

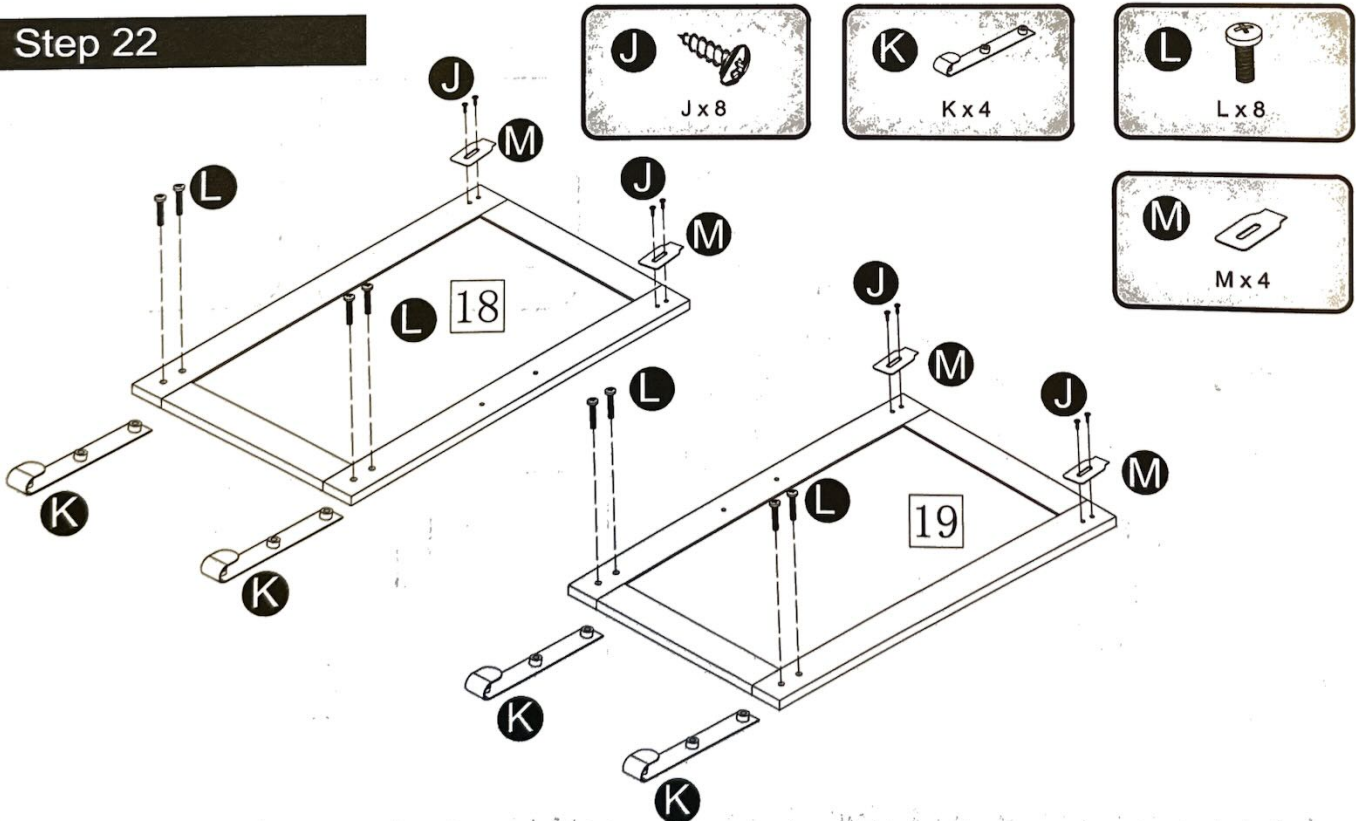
Assembly Instructions

Step 21



Place part (17) on the top of support pin.
There are four grooves on each panel to fit.

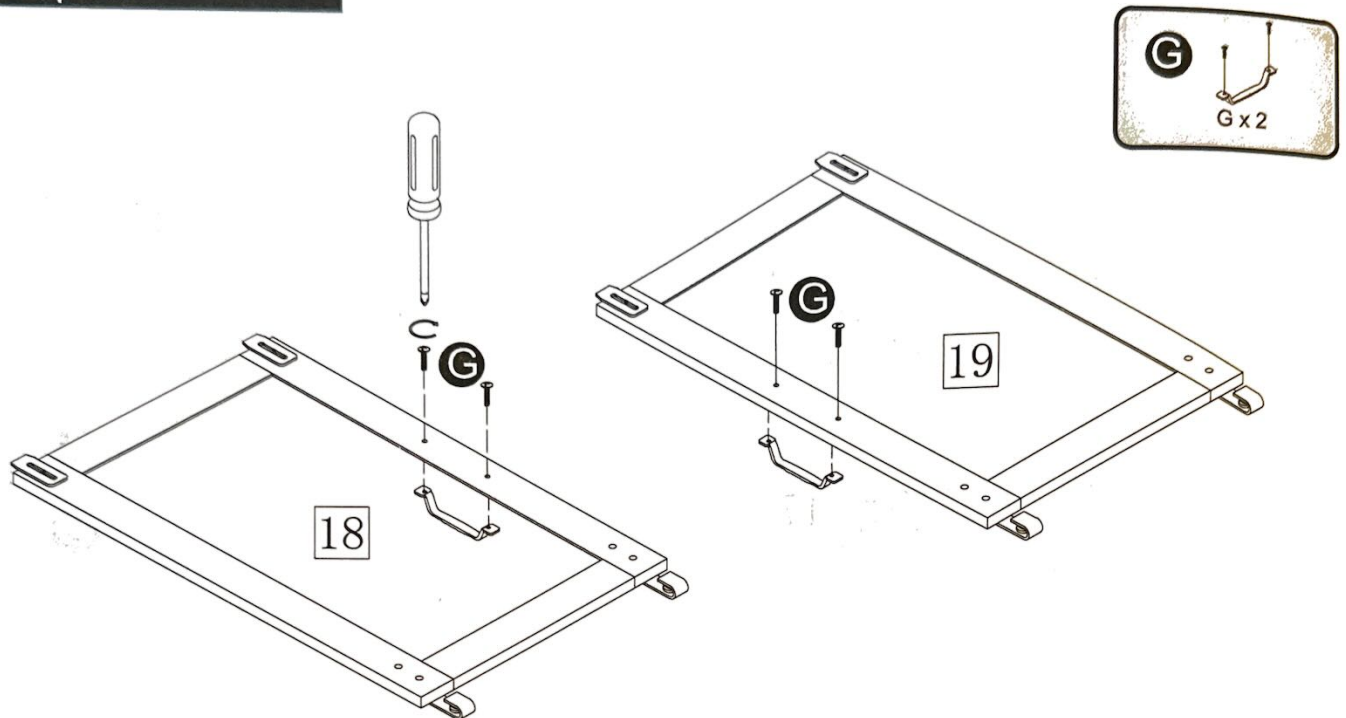
Step 22



Attach pulley (K) using screw (L).
Attach Part (M) using screw (J).

Assembly Instructions

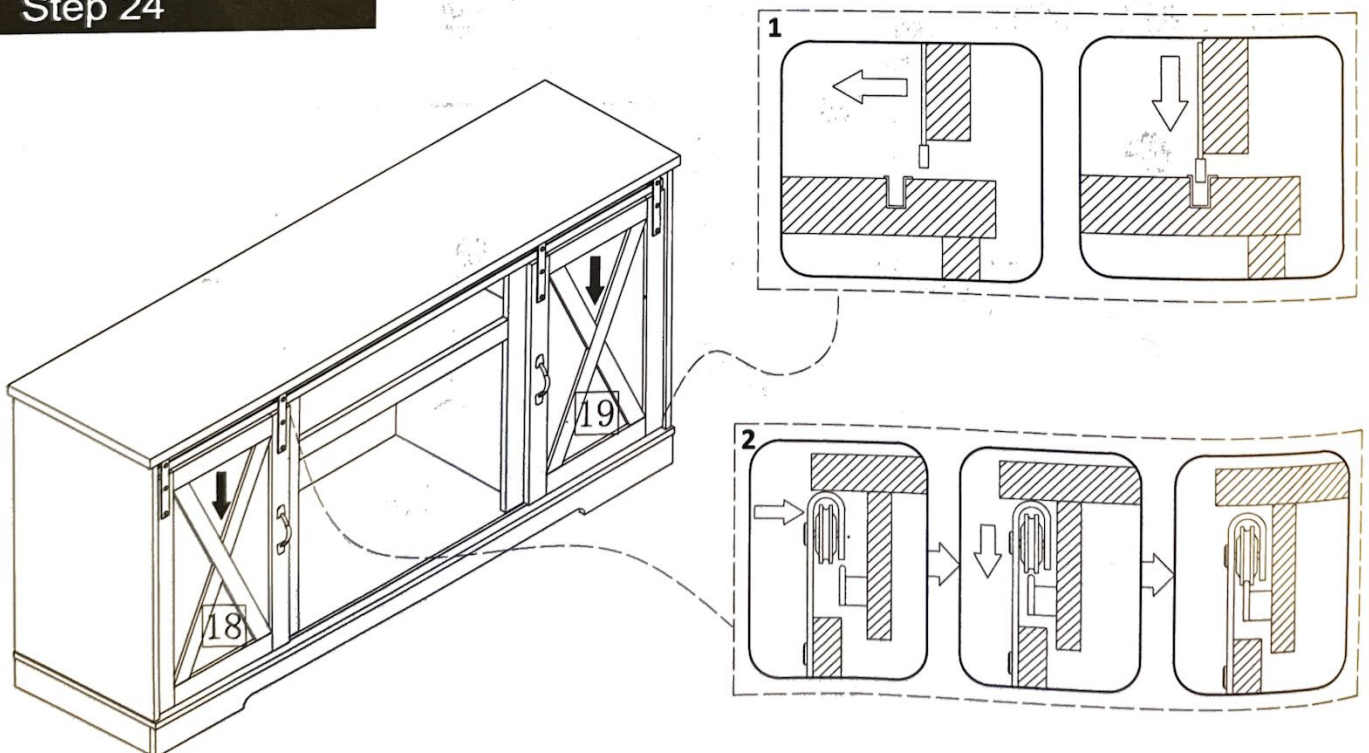
Step 23



Attach handle (G) to part (18, 19) using screw with a screwdriver.

 Please note: Handles and screws are in one plastic bag.

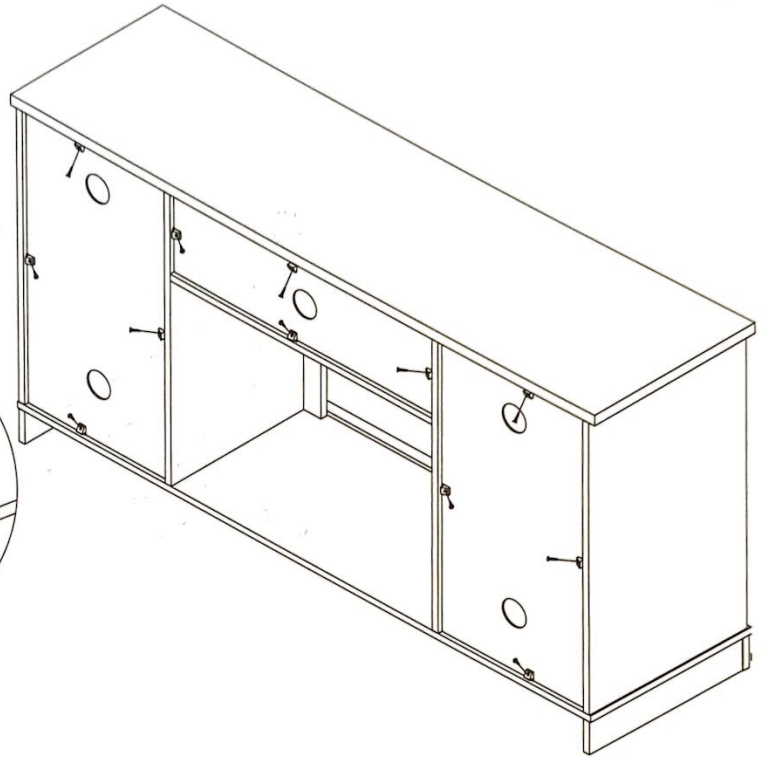
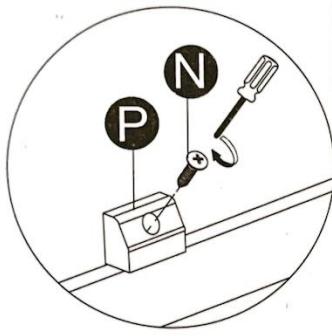
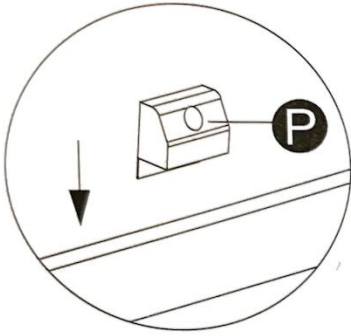
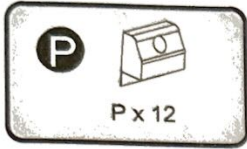
Step 24



17 Attach bottom of doors to the sliding slot then close the doors to the sliding track.
Slightly uplift the doors and hook pulley to the sliding track.

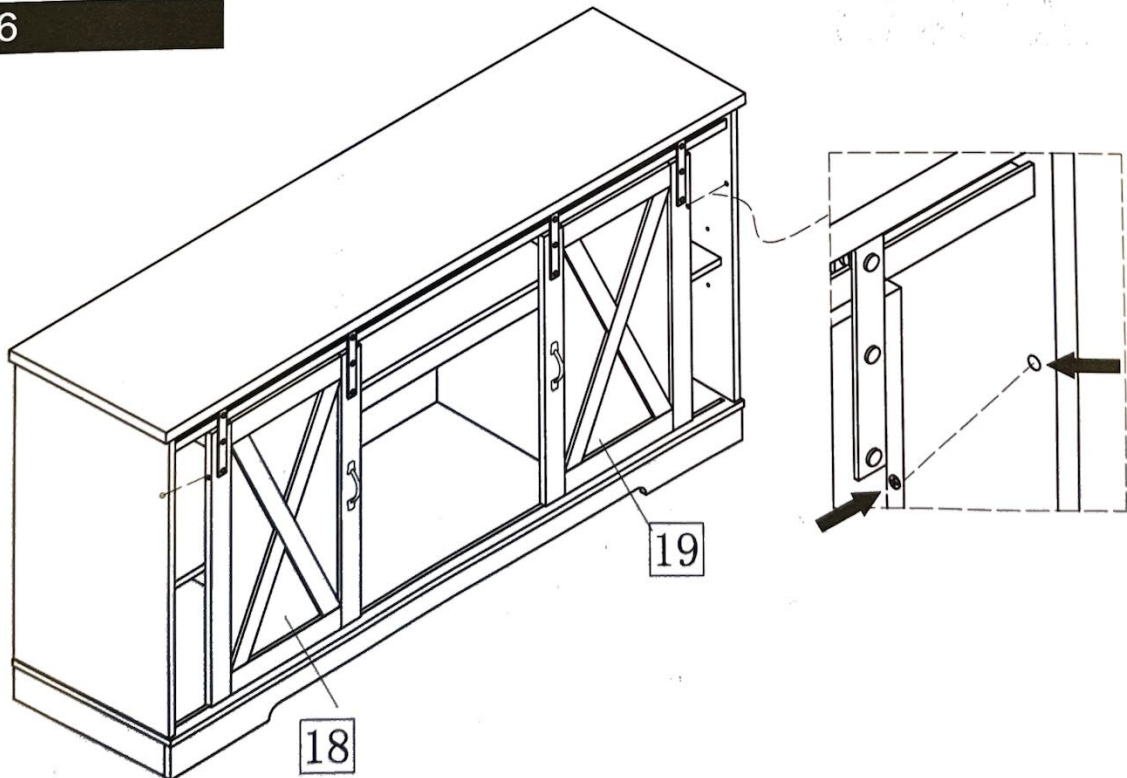
Assembly Instructions

Step 25



Insert Part(P) to the back panel. The position in the manual for your reference.
Screw Part(N).

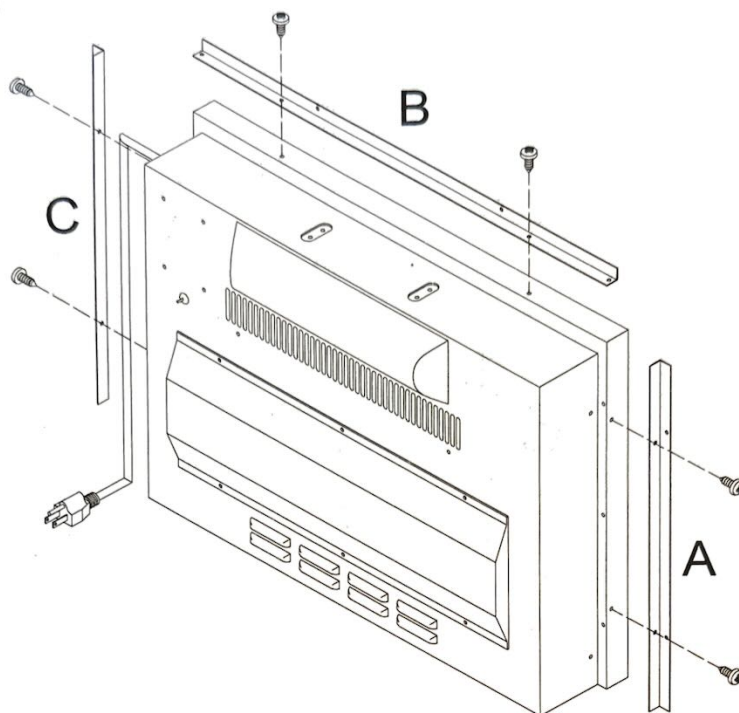
Step 26



There is magnet on the each side of door to keep door from sliding automatically

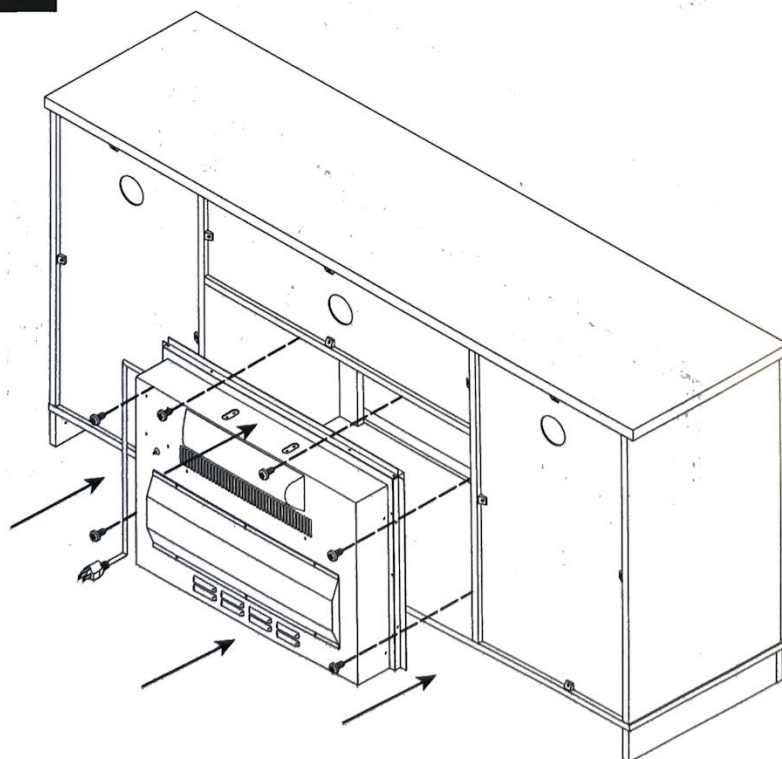
Assembly Instructions

Step 27



Fix part A,B,C on the fireplace by 2screws. (Fig A)

Step 28



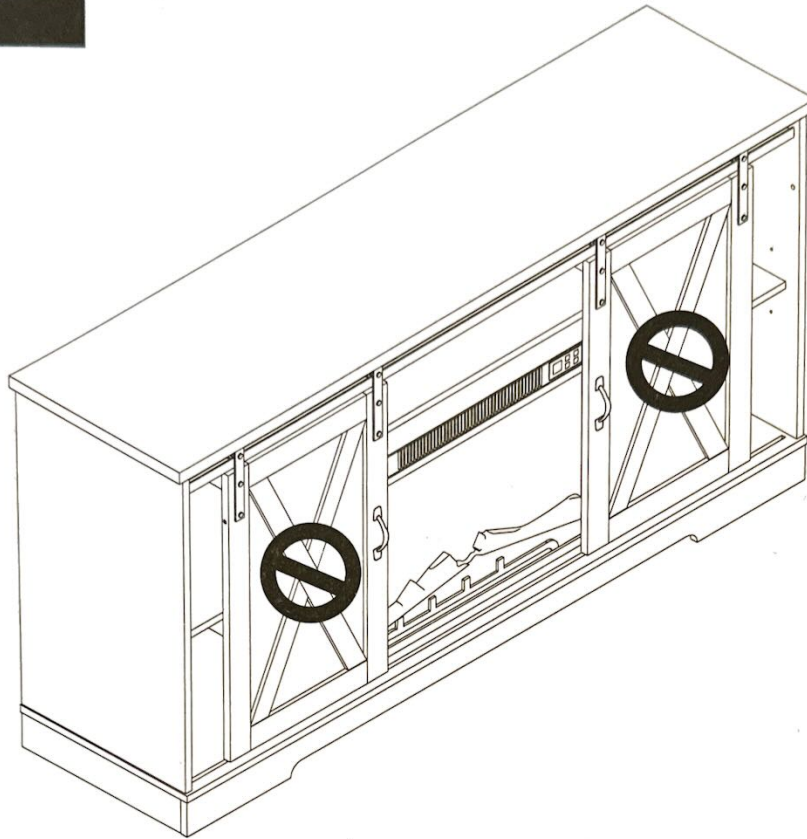
19



Put fireplace in. Then screw the fireplace.
Please note: The screws to connect fireplace in the box of fireplace.

Assembly Instructions

Step 29

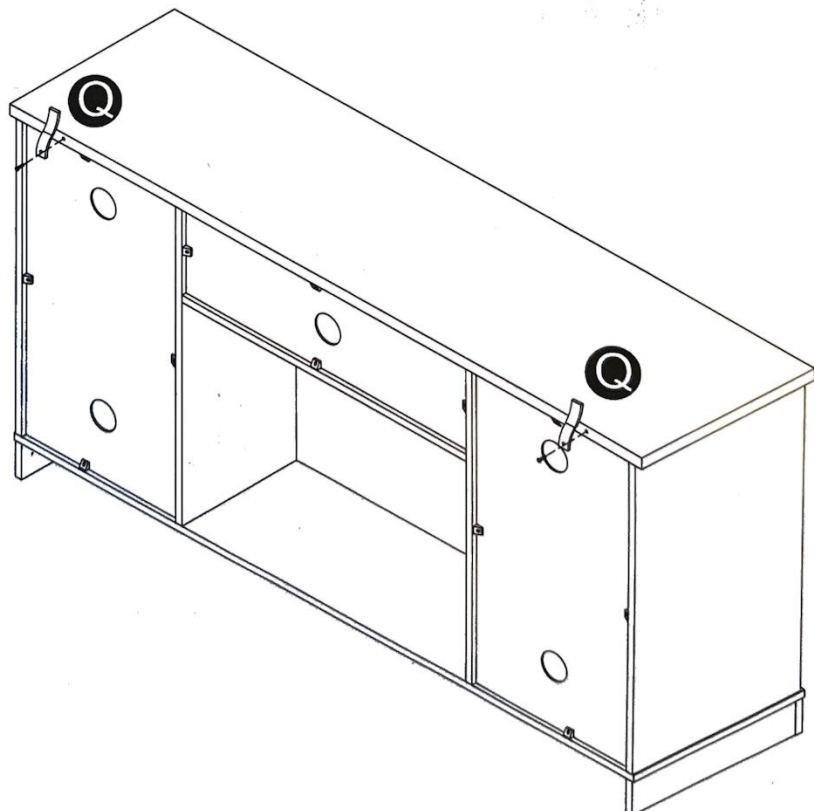


DON'T slid the doors to block the air vent of fireplace for a long time when it is working.

Step 30

The unit is floor standing, but it is recommended that the unit is secured to the wall.

1. Move the unit into desired position.
 2. Mark the wall with a suitable scribe the position of the fixing holes.
- Warning:**
Before drilling, check wall for hidden pipes and cables.
3. Drill holes and insert 2 x wall plug
 4. Attach 2 x Wall Straps to the top of the unit using 2 x Washers and 2 x Screws
 5. Secure the straps to the wall using 2 x Washers and 2 x Screws



Note: To hide the straps behind the unit, drill the holes lower than the top of the unit

Assembly Instructions

Step 31

The unit is floor standing, but it is recommended that the unit is secured to the wall.

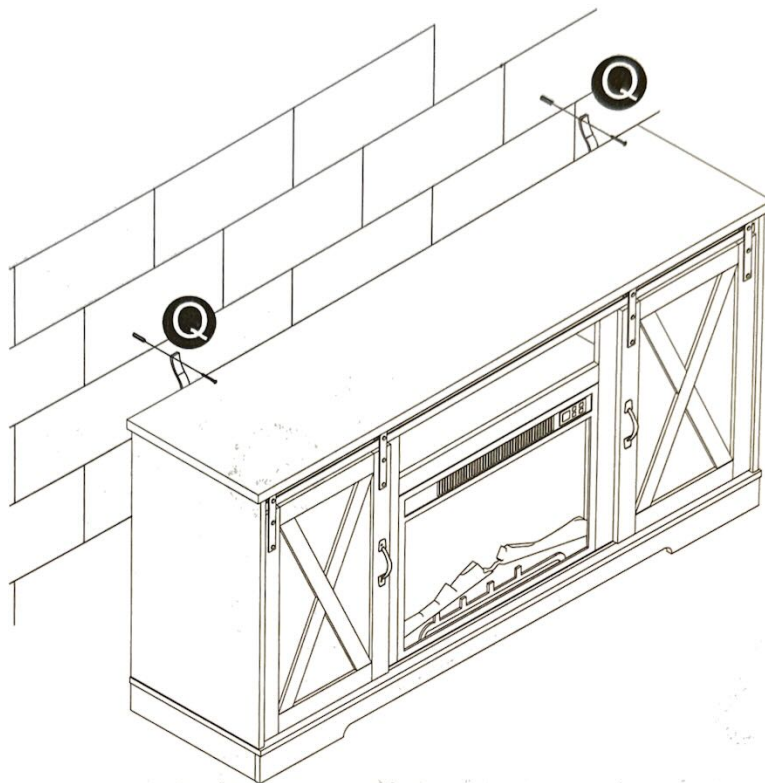
1. Move the unit into desired position.
2. Mark the wall with a suitable scribe the position of the fixing holes.



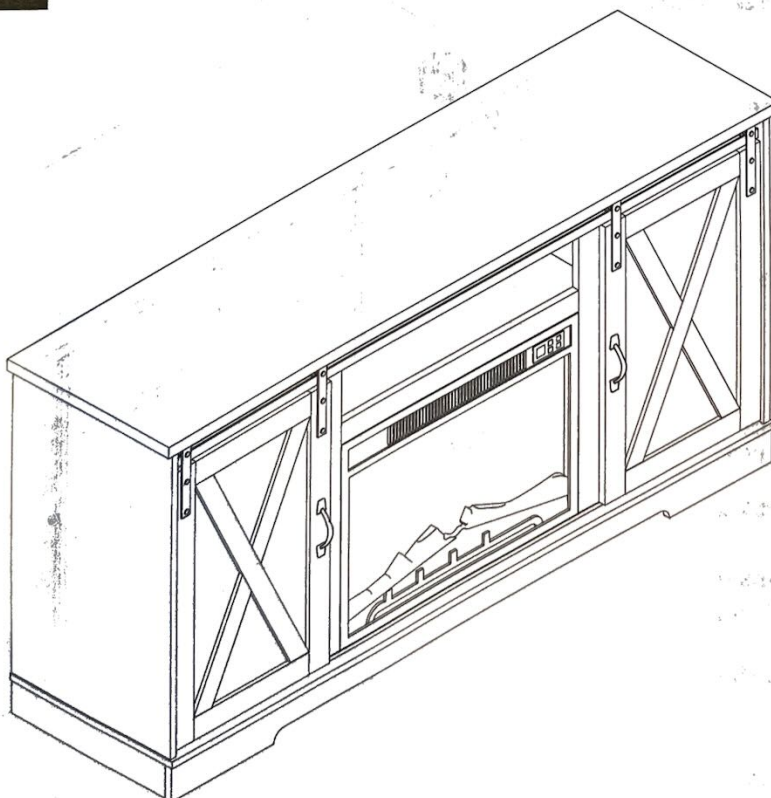
Warning:
Before drilling, check wall for hidden pipes and cables.

3. Drill holes and insert 2 x wall plug
4. Attach 2 x Wall Straps to the top of the unit using 2 x Washers and 2 x Screws
5. Secure the straps to the wall using 2 x Washers and 2 x Screws

Note: To hide the straps behind the unit, drill the holes lower than the top of the unit



Step 32



A Guide to Wall Mounting & Fixings

Important note:

If plastic wall plugs (rawl plugs) are supplied with your product, e.g.:



- these are only suitable for use in masonry walls.

If you are in any doubt about the correct wall plugs for your wall, seek professional advice.


Failure of the product due to using the incorrect fixings is the responsibility of the installer.



Important: when drilling into walls always check that there are no hidden wires or pipes etc.

Make sure that the screws and wall plugs being used are suitable for **supporting your unit**. Consult a qualified tradesperson if you are unsure.

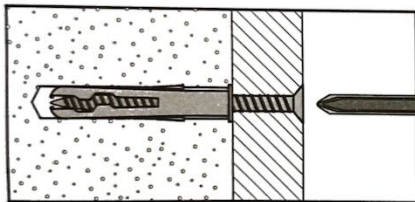
Hints:

- 1: General rule:  always use a larger screw and wall plug if you are not sure.
- 2: Ensure you use the recommended drill bit to match the wall plug and hole size.
- 3: Ensure you drill the hole horizontally; do not force the drill or enlarge the hole.
- 4: Take extra care when drilling high walls, ceilings and ceramic tiles. Ensure wall plugs are inserted beyond the thickness of the ceramic tiles to avoid the tiles splitting or cracking.
- 5: Ensure wall plugs are well fitted and are a tight fit in the drilled hole.

Types of walls

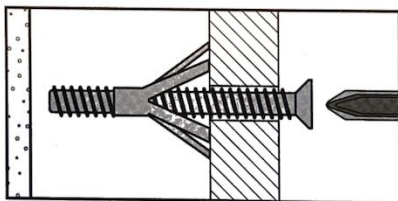
You can use one of the following types of wall plug if your walls are made of brick, breeze block, concrete, stone or wood.

No.1 "General Purpose" wall plug



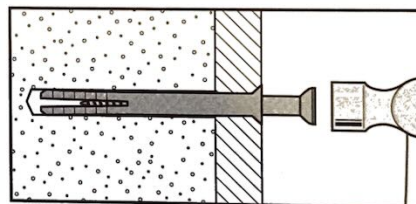
Generally aerated blocks should not be used to support heavy loads, use a specialist fitting in this case. For light loads, general purpose wall plugs can be used.

No.3 "Cavity Fixing" wall plug



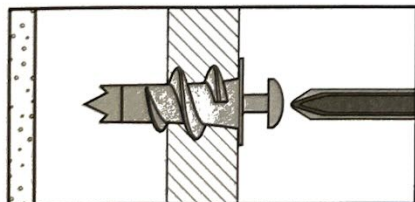
For use with plasterboard partitions or hollow wooden doors.

No.5 "Hammer Fixing" wall plug



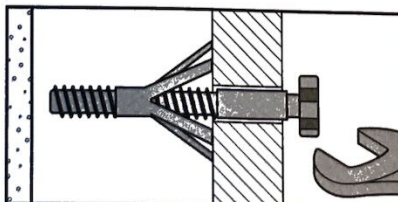
For use with walls stuck with plasterboard. The hammer fixing allows it to be fixed to the wall rather than the plasterboard. Always check the fixing is secure to the retaining wall.

No.2 "Plasterboard" wall plug



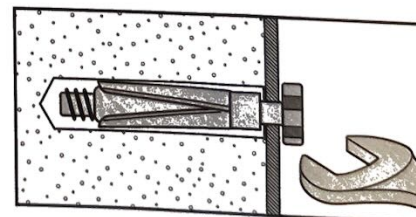
For use when attaching light loads onto plasterboard partitions.

No.4 "Cavity Fixing - Heavy Duty" wall plug



For use when fitting or supporting heavy loads such as shelving, wall cabinets and coat racks.

No.6 "Shield Anchor" wall plug - heavy loads



For use with heavier loads such as TV and HiFi speakers and satellite dishes etc.

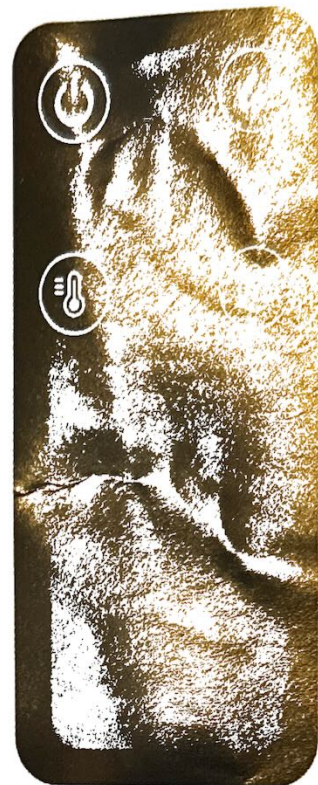


Care & Maintenance





Safety: always check the fitting and location to ensure your safety in and around the home.

Fitting: from time to time check the fitting to ensure the wall plugs or screws do not become loose.

CONTROL PANEL AND REMOTE



Control Panel/Remote control Operation

BUTTON	FUNCTION	ACTION&INDICATION
	<ol style="list-style-type: none"> 1. Press once to turn on flame effect, fuel bed lights, and enable remote control functions. 2. Press again to turn off flame effect, and shut off power to remote control, and all functions 	<ol style="list-style-type: none"> 1. Flame effect and fuel bed turn on. Remote control functions are enabled. 2. Flame effect turn off. The remote control functions will not function.
	The DIMMER controls the brightness of the flame effect. Press the button to set the flame effect to the desired level.	The flame effect cycles through different levels, then returns to the first level.
	<p>HEATER button: Turn heater on and off.</p> <p>NOTE: To prevent overheating, the heater fan will blow out cool air for 30 seconds after the heater turn off.</p>	<ol style="list-style-type: none"> 1. Press once. Indicator lights up. Shows "00" no heater 2. Press again. Indicator lights up. Shows "HH" 1400W heaters turns on and blows hot air. 3. Press again, set the temperature 65F-70F-75F-80F-85F-90F-95F-00-HH
	TIMER button: Control timer settings to turn off fireplace at selected time.	<ol style="list-style-type: none"> 1. Press once. Indicator light turn on. Temperature is set to hours. <p>Press again until desired setting is reached. LED display show setting.</p>